

## SPARE PARTS EXPLODED VIEW GAS WALL BOILERS

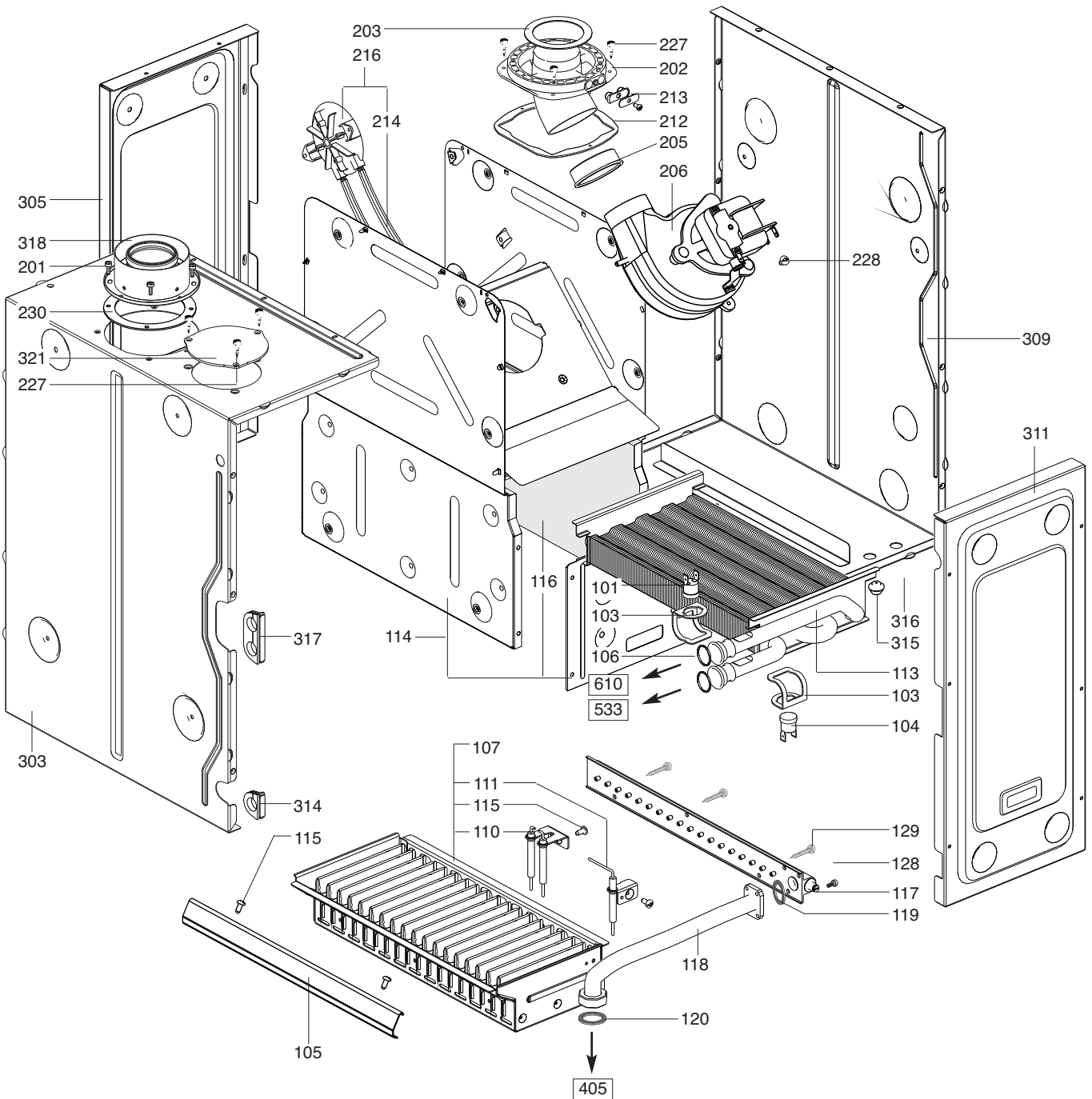
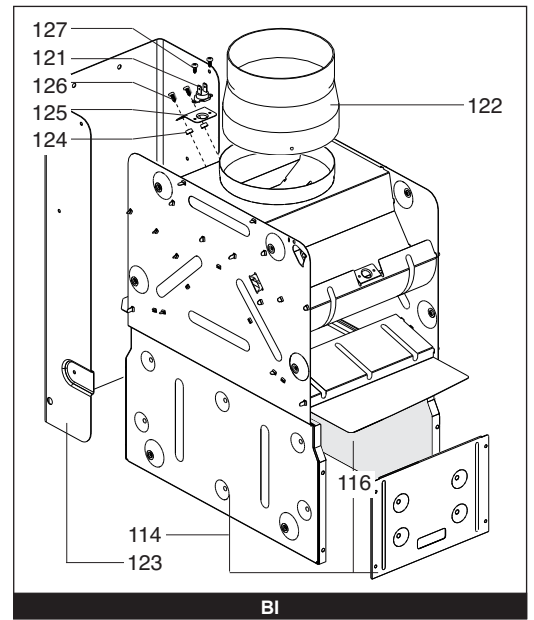
Model

### **GENIA MAXI - B60**

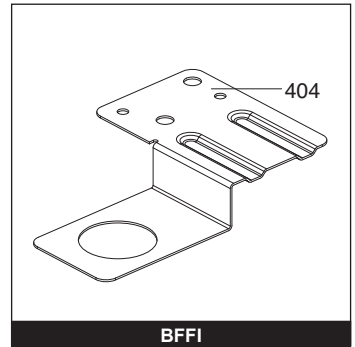
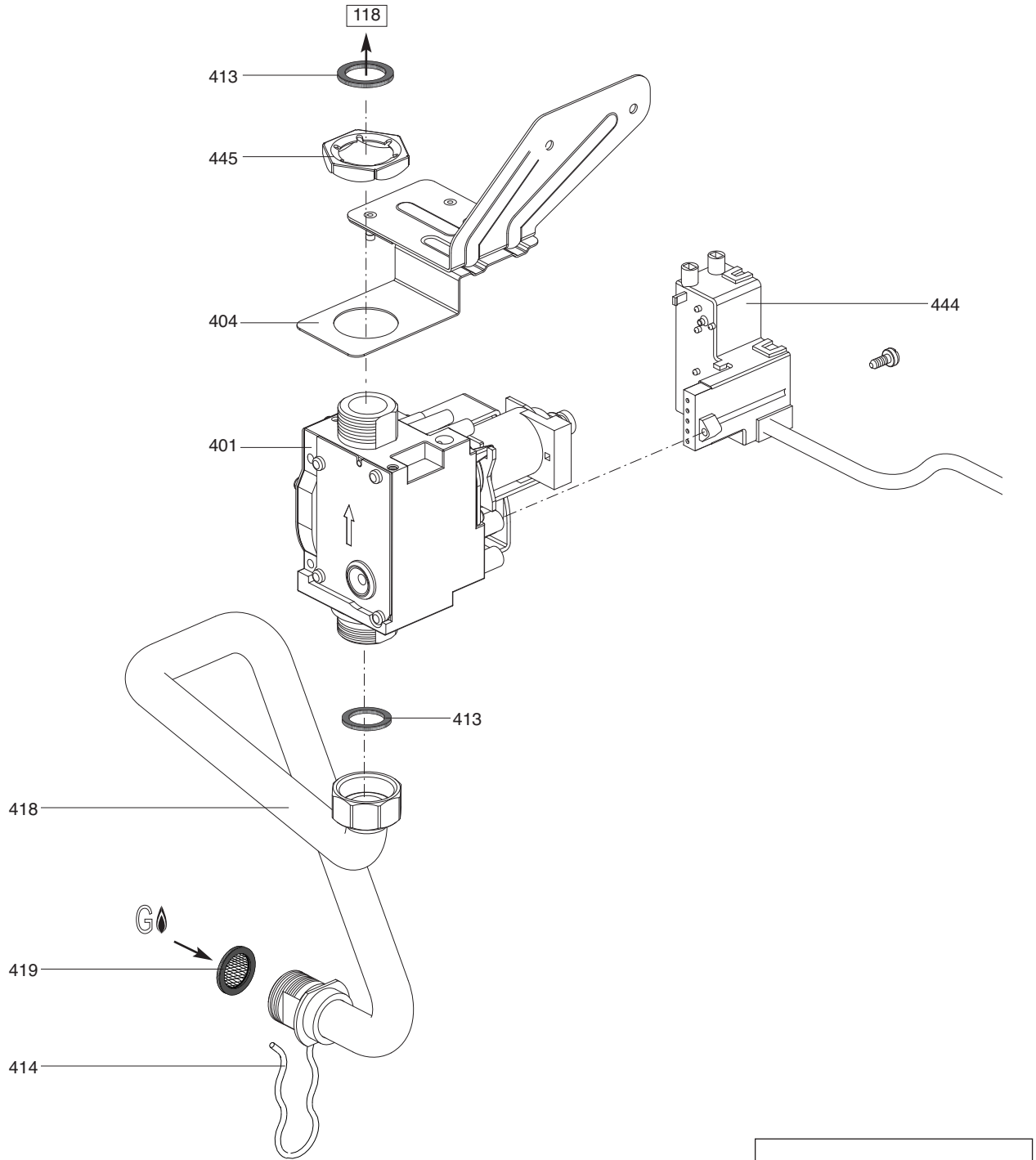
R8202685-03 - 04/06/2012

113	537673	GENIA MAXI 24 / 60 BI MET	07-2003	12-2006
113	537674	GENIA MAXI 24 / 60 BI GPL	07-2003	12-2009
115	537675	GENIA MAXI 24 / 60 BFFI MET	07-2003	12-2009
115	537676	GENIA MAXI 24 / 60 BFFI GPL	07-2003	12-2009
154	537660	B60 28BI SIMAT GPL	05-2003	10-2007
154	537659	B60 28BI SIMAT MET	05-2003	10-2007
154	537656	B60 28BI ARISTON GPL	05-2003	12-2009
154	537655	B60 28BI ARISTON MET	05-2003	05-2009
154	537648	B60 28BI RADII GPL	05-2003	04-2006
154	537647	B60 28BI RADII MET	05-2003	04-2006
206	537650	B60 30BFFI RADII GPL	05-2003	04-2006
206	537649	B60 30BFFI RADII MET	05-2003	04-2006
206	537657	B60 30BFFI ARISTON MET	05-2003	12-2009
206	537658	B60 30BFFI ARISTON GPL	05-2003	12-2009
206	537661	B60 30BFFI SIMAT MET	05-2003	10-2007
206	537662	B60 30BFFI SIMAT GPL	05-2003	10-2007

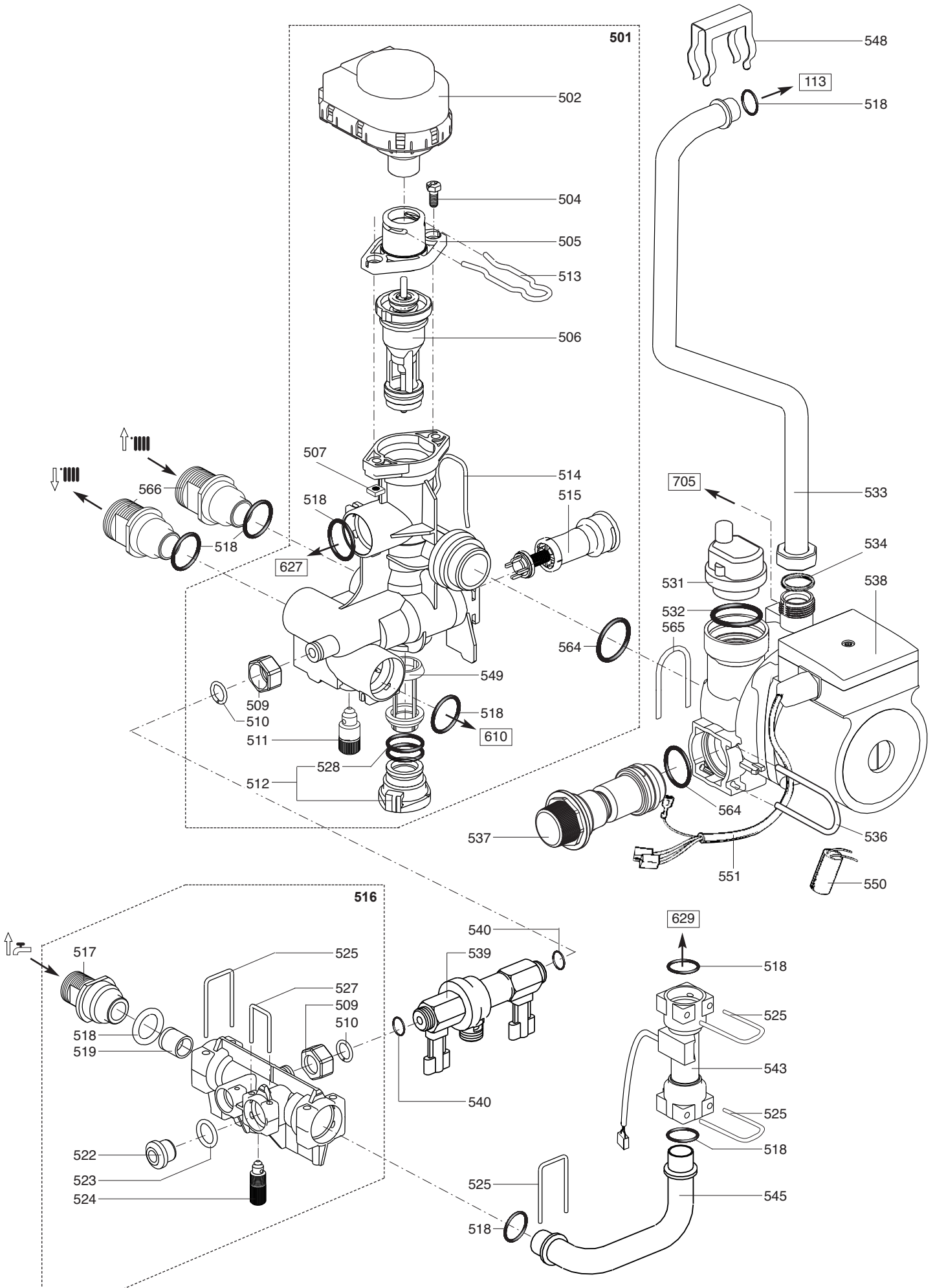
Col	Reference	Model type	Begin	End
-----	-----------	------------	-------	-----



☉⇒	Description	Manf. Pt. N	Type	<div style="display: flex; justify-content: space-between; align-items: center;"> <div style="transform: rotate(-45deg); font-size: small;">           GENIA MAXI 24 BI            GENIA MAXI 24 BFI            B60 28 BI            B60 30 BFI         </div> <div style="border: 1px solid black; padding: 2px;"> <small>31</small> </div> </div>																	
				1	2	3	4	5	6	7	8	9	10	11	12	13	14	15	16	17	18
<b>0100</b>	<b>BURNER ASSEMBLY</b>																				
0101	OVERHEAT THERMOSTAT 100C	61010572		●	●	●	●														
0103	CLIP	61010050		●	●	●	●														
0104	THERMISTOR TEMP. SENSOR KIT	61317663		●	●	●	●														
0105	CROSS LIGHTING STRIP	61303352		●	●	●	●														
0106	O-RING D: 17-4	60024164-51		●	●	●	●														
0107	BURNER BASE & ELECTRODES	61306599		●	●																
	BURNER BASE & ELECTRODES	61306958				●		●													
0110	ELETTRODO D ACCENSIONE	61305840		●	●	●	●														
0111	IONIZATION ELECTRODE	61303302		●	●	●	●														
0113	HEAT EXCHANGER	61306547		●	●	●	●														
0114	COMBUSTION CHAMBER	61306550-01		●	●																
	COMBUSTION CHAMBER	61306551				●															
	COMBUSTION CHAMBER	61306959						●													
0115	TAPPING SCREW CBLX D: 4.2-9.5	61010125		●	●	●	●														
0116	COMBUSTION CHAMBER LINING KIT	61307039		●	●	●	●														
0117	MANIFOLD 18 INJ:0.68	61305248	GPL			●															
	MANIFOLD 18 INJ:0.68	61305433	GPL			●															
	MANIFOLD 18 INJ:0.74 - DIA:9.0	61306960	GPL					●													
	MANIFOLD 18 INJ:0.72	61310975	GPL					●													
	MANIFOLD 18 INJ:1.18	61305214	MET			●															
	MANIFOLD 18 INJ:1.23	61305249	MET					●													
	MANIFOLD 18 INJ:1.23 - DIA:9.0	61306949	MET																		
	MANIFOLD 18 INJ:1.18 - DIA:8.0	61306987	MET					●													
0118	GAS TUBE	61303140		●	●	●	●														
0119	GASKET (/Manifold)	61010071		●	●	●	●														
0120	SHEET GASKET D: 24-18.2-1.5	60022835-01		●	●	●	●														
0121	THERMOSTAT (SAFETY - 70C)	61012479		●		●															
0123	SIDE COVER SUPPORT	61303351		●		●															
0128	SCREW CX M 5-12	61011224		●	●	●	●														
0129	TAPPING SCREW CBLX D: 4.2-25	61010128		●	●	●	●														
<b>0200</b>	<b>FAN ASSEMBLY</b>																				
0201	SCREW CLX M 5-20	61017600				●		●													
0202	FLUE CONNECTION	61304209				●		●										10/04			
	FLUE CONNECTION	61313154				●		●										11/04			
0205	GASKET	61303825				●		●													
0206	FAN ASSY	61311926				●		●													
0212	GASKET	61300262				●		●													
0213	PLUG KIT	61306698				●		●													
0214	SILICONE TUBE D: 9x3 L: 1.30M	60081265				●		●													
0216	AIR PRESSURE SWITCH 20 Pa	61307664-01				●															
	AIR PRESSURE SWITCH 30KW	61307665						●													
0227	TAPPING SCREW CBLX D:4.2-12.5	61010847				●		●													
0228	TAPPING SCREW CBLX D: 6.3-19	61010127				●		●													
0230	GASKET (/ Flue bend turret)	61300258				●		●													
<b>0300</b>	<b>SEALED CASE</b>																				
0303	SIDE PANEL	61311923				●		●													
0305	REAR PANEL	61304377				●		●													
0309	SIDE PANEL	61306623				●		●													
0311	FRONT PANEL	61304376				●		●													
0314	GROMMET D: 18	61303149				●		●													
0315	GROMMET	60039017				●		●													
0316	GROMMET - DOUBLE	60042707				●		●													
0317	GROMMET	61303148				●		●													
0318	ADAPTATER	61310346				●		●													
0321	AIR RETURN COVER	990350				●		●													







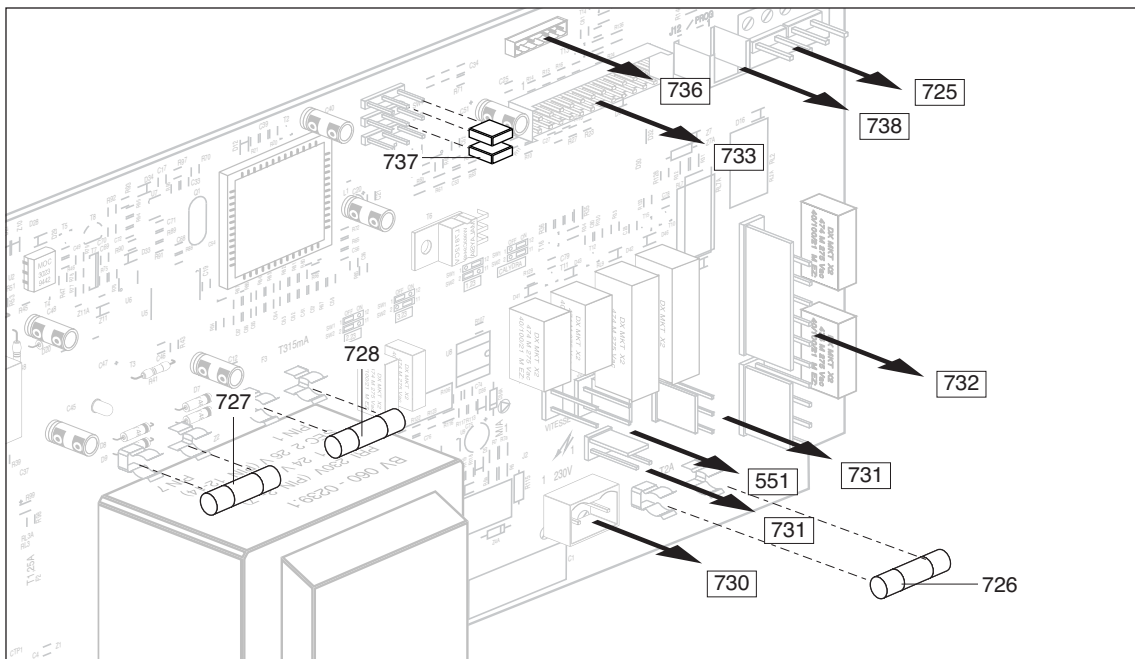
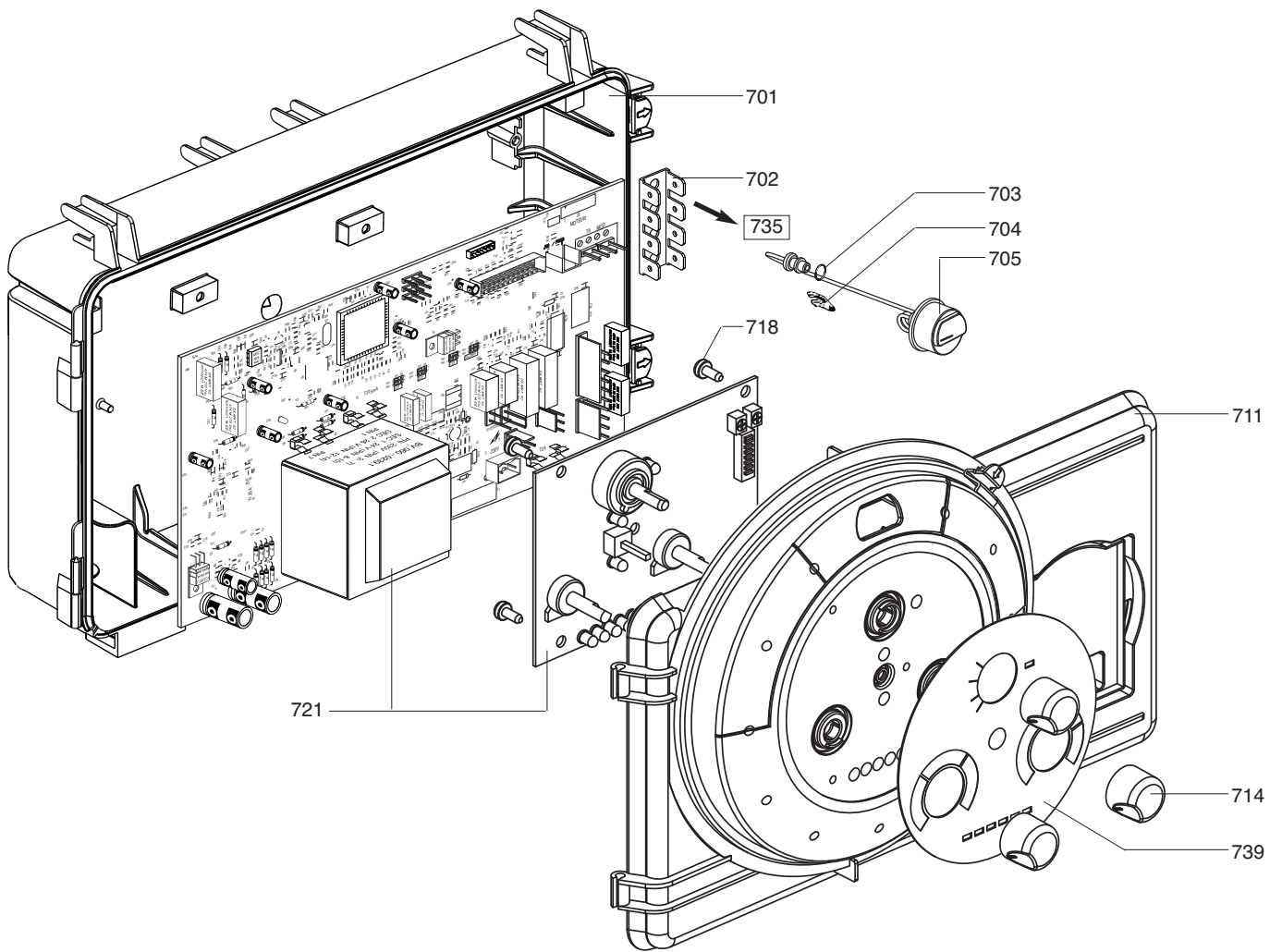
☉→	Description	Manf. Pt. N	Type	GENIA MAXI 24 BI GENIA MAXI 24 BFFI B60 28 BI B60 30 BFFI																	
				1	2	3	4	5	6	7	8	9	10	11	12	13	14	15	16	17	18
0500	HYDRAULIC BLOCK																				
0501	HEATING BLOCK ASSY	61306595		•	•	•	•														
0502	MOTOR - THREE-WAY VALVE	61302483-01		•	•	•	•														
0504	SCREW HX M 5-12	61010131		•	•	•	•														
0505	INTERFACE	61304003		•	•	•	•														
0506	VALVE KIT	61303330		•	•	•	•														
0507	NUT M 5	61016604		•	•	•	•														
0509	NUT 3/8" THICK: 11	60020746-20		•	•	•	•														
0510	RETAINING RING	61302621		•	•	•	•														
0511	DRAIN SCREW ASSY	60081028		•	•	•	•														
0512	PLUG ASSY	61305112		•	•	•	•														
0513	PIN	61304002		•	•	•	•														
0514	PIN	61302332		•	•	•	•														
0515	BY-PASS	61305111		•	•	•	•														
0516	WATER/WATER HEAT BLOCK ASSY	61317030		•	•	•	•														
0517	CONNECTION	61302753		•	•	•	•														
0518	O-RING D: 17-4	60024164-51		•	•	•	•														
0519	FLOW REGULATOR 12L A/R	61303380		•	•	•	•														
0522	PLUG	61303675		•	•	•	•														
0523	O-RING D: 13.6-2.7	60021061-18		•	•	•	•														
0524	DRAIN SCREW ASSY	60081904		•	•	•	•														
0525	PIN	61016206-02		•	•	•	•														
0527	PIN	61303234		•	•	•	•														
0528	O-RING D: 22-2	60022113-03		•	•	•	•														
0531	AIR SEPARATOR HEAD ASSEMBLY	61304608		•	•	•	•														
0532	GASKET KIT	61304618		•	•	•	•														
0533	TUBE : PUMP TO HEAT EXCHANGER	61303219		•	•	•	•														
0534	O-RING D: 16-1.9	61009833-37		•	•	•	•														
0536	CLIP	61302720		•	•	•	•														
0537	PRESSURE RELIEF VALVE	61305113		•	•	•	•														
0538	PUMP + AIR SEPARATOR 15/50	61301964		•	•	•	•														
	PUMP + AIR SEPARATOR 15/60	61303461		•	•	•	•														
0539	DISCONNECTOR	61303319		•	•	•	•														
0540	SHEET TASKET D: 15-8.5-1.5	60030867		•	•	•	•														
0543	STOPPED WATER THROTTLE	61304982		•	•	•	•														
0545	COLD WATER TUBE	61311240		•	•	•	•														
0548	CLIP	61010609		•	•	•	•														
0549	HEATING FILTER	61016502		•	•	•	•														
0550	CAPACITOR	61000652-10		•	•	•	•														
0551	PUMP LEAD (2 SPEEDS)	61306995		•	•	•	•														
0564	O-RING D: 24.6-3.6	61009834-30		•	•	•	•														
0565	CLIP	60030898-03		•	•	•	•														
0566	CONNECTION	61303920		•	•	•	•														



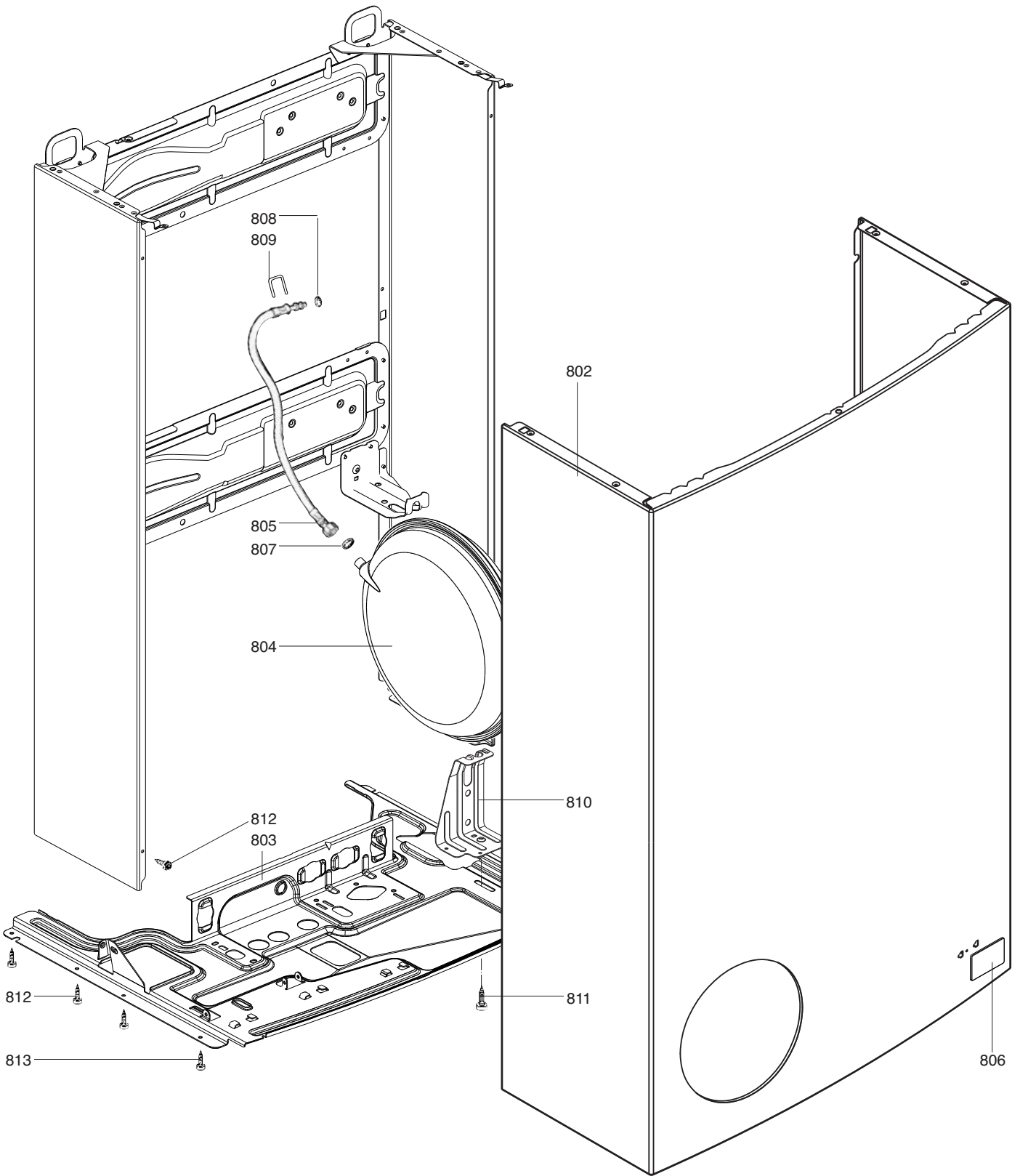




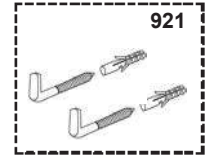
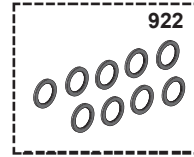
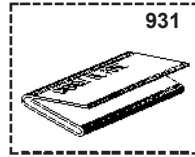
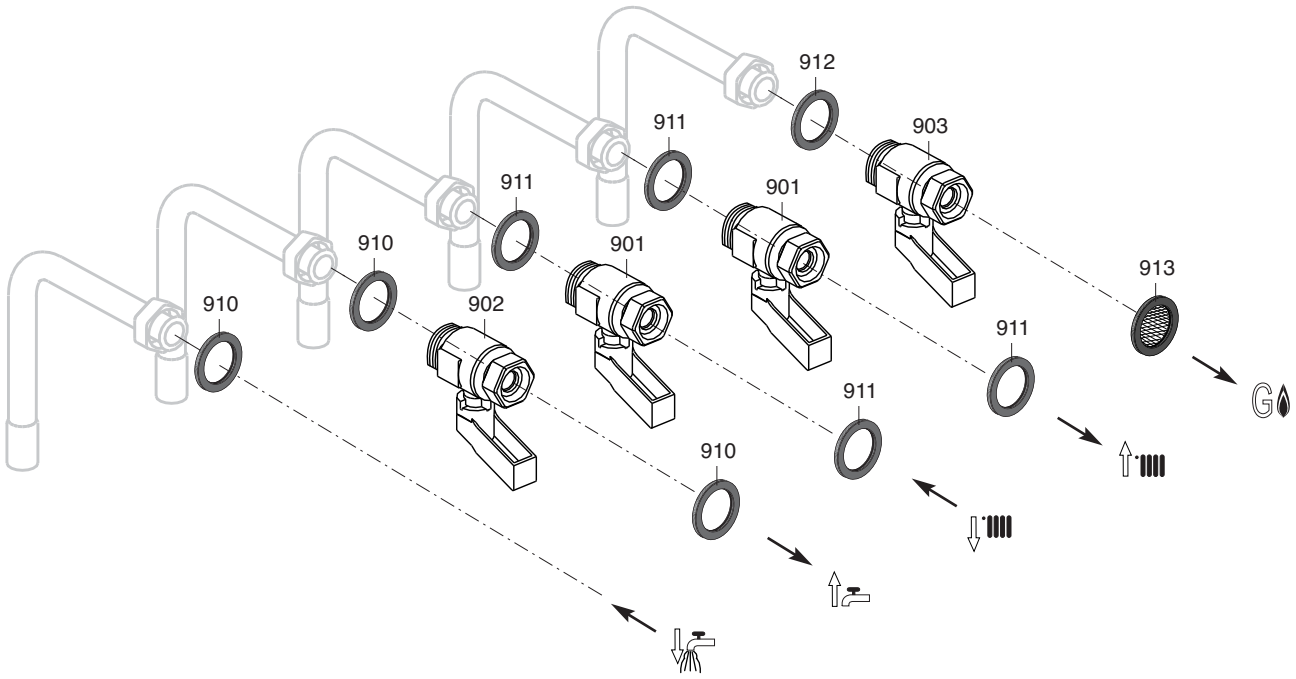
Description	Manf. Pt. N	Type	GENIA MAXI 24 BI GENIA MAXI 24 BFI B60 28 BI B60 30 BFFI																	
			1	2	3	4	5	6	7	8	9	10	11	12	13	14	15	16	17	18
<b>0600</b> HOT WATER TANK																				
0601 FLANGE + ANODE	60000334		•	•	•	•														
HOT WATER TANK 60L	61309770		•	•	•	•														
GASKET	61317346		•	•	•	•														
0602 DRAIN SCREW ASSY	60081028		•	•	•	•														
0603 THERMISTOR TEMP. SENSOR KIT	61317663		•	•	•	•														
0604 CLIP	61010050		•	•	•	•														
0605 CLIP	61010609		•	•	•	•														
0610 HEATING FLOW BEND	61309674		•	•	•	•														
0614 SUPPORT	61303369		•	•	•	•														
0615 SCREW HSX M 5-8	61302631		•	•	•	•														
0620 THERMISTOR	61314258		•	•	•	•														
0627 FLOW TUBE	61309670		•	•	•	•														
0628 O-RING D: 17-4	60024164-51		•	•	•	•														
0629 COLD WATER TUBE	61309671		•	•	•	•														
0630 SHEET GASKET D: 24-18.2-1.5	60061855-01		•	•	•	•														
0634 INSULATION	61310027		•	•	•	•														
0635 HOT WATER BEND	61305099		•	•	•	•														
0636 WASHER D: 18.4-12.2-1.5	60061855-14		•	•	•	•														
0637 PRESSURE RELIEF VALVE 7 BARS	61304749		•	•	•	•														
0638 TUBE PVC D: 13x17 L: 1M	60081266-02		•	•	•	•														
0639 NUT 1/2" THICK: 12	60020747-28		•	•	•	•														
0640 PRESSURE RELIEF VALVE KIT	61305178		•	•	•	•														
0641 CONNECTING PIPE	60001076		•	•	•	•													03/06	
CONNECTING PIPE	61010430		•	•	•	•														02/06
0642 EXPANSION VESSEL	61306776		•	•	•	•														
0643 CONTRODADO H 1/2	60031139		•	•	•	•														
0644 FLEXIBLE PIPE	61314084		•	•	•	•														
0650 VALVE 7 BARS	60000437		•	•	•	•														
0651 CONNECTION	60000368		•	•	•	•														
0652 TUBE PVC D: 9x12 L: 1M	60081266		•	•	•	•														
0655 CLIP	61010005		•	•	•	•														
0656 O-RING D: 8.9-2.7	61009834-14		•	•	•	•														
0657 EXPANSION VESSEL TUBE	61315789		•	•	•	•														



☉→	Description	Manf. Pt. N	Type	GENIA MAXI 24 BI GENIA MAXI 24 BFI B60 28 BI B60 30 BFI																	
				1	2	3	4	5	6	7	8	9	10	11	12	13	14	15	16	17	18
0700	<b>ELECTRICAL BOX</b>																				
0701	BASE - BOX	61303242		●	●	●	●														
0702	CONNECTION STRIP	61002725		●	●	●	●														
0703	O RING D: 5.7-1.9	61009834-10		●	●	●	●														
0704	CLIP	61002406		●	●	●	●														
0705	PRESSURE GAUGE	61305005		●	●	●	●														
0711	ELECTRICAL BOX COVER	61313201		●	●	●	●														
0714	CONTROL KNOB	992027		●	●	●	●														
0718	TAPPING SCREW TCBL D:4 L:10	61020509		●	●	●	●														
0721	PRINTED CIRCUIT BOARDS	61316920		●	●	●	●														
0725	THERMOSTAT CABLE	61312402		●	●	●	●														
0726	FUSE 250V 2A - TEMPORIZED	61003456		●	●	●	●														
0727	FUSE 250V 1.25A - TEMPORIZED	61003635		●	●	●	●														
0728	FUSE 250V 0.315A - TEMPORIZED	61307845		●	●	●	●														
0730	CABLAGGIO D ALIMENTAZIONE	61311903		●	●	●	●														
0731	CABLE	61311871		●		●															
0732	CABLE	61310952			●		●														
0733	WIRE ASSEMBLY	61310949			●		●														
	WIRE ASSEMBLY	61310951		●		●															
0734	EARTH WIRE	61305498		●	●	●	●														
0735	EARTH WIRE	61303360		●	●	●	●														
0736	INTERCONNECTION CABLE	61312117		●	●	●	●														
0737	BLACK SHUNT	61400030		●	●	●	●														
0738	CONTACT SOCKET CONNECTOR 3 P.	61003209		●	●	●	●														
0739	ECRAN AUTOCOLLANT BALIXIA	992026		●	●	●	●														

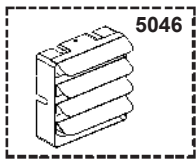
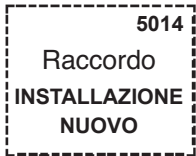
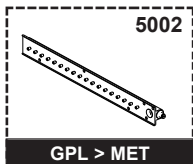
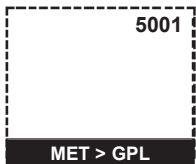








5000







☉ →	Description	Manf. Pt. N	Type	<div style="float: right; border: 1px solid black; padding: 2px;">31</div>
				1 2 3 4 5 6 7 8 9 10 11 12 13 14 15 16 17 18

5000	<b>ACCESSORIES</b>																			
5001	CONVERSION KIT NAT > LPG	61313829		•																
	CONVERSION KIT NAT > LPG	61313831			•															
	CONVERSION KIT NAT > LPG	61313837					•													
	CONVERSION KIT NAT > LPG	61313842						•												
5002	CONVERSION KIT LPG > NAT	61316452			•															
	CONVERSION KIT LPG > NAT	61316453		•																
	CONVERSION KIT LPG > NAT	61316454							•											
	CONVERSION KIT LPG > NAT	61316455								•										
5014	CONNECTION - FIRST FITTING IT	60730002		•	•	•	•													
	TAP KIT	60730003		•	•	•	•													
5046	DEFLECTOR 30DEG KIT	61014810				•		•												

## LIST OF THE ABBREVIATIONS

HW .....	: Hot water.
CW .....	: Cold water.
C .....	: Ceramic resistance (normal heating).
Ca .....	: Ceramic resistance (accelerated heating)
TP .....	: Immersion heater.
1F .....	: With fittings.
2F .....	: Without fittings.
3F .....	: With fittings and another outlet connection.
AMI .....	: With mixing valve.
SMI .....	: Without mixing valve.
PUISS .....	: Power of th appliance.
PN .....	: Appliance with normal pression.
LP .....	: Appliance with low pression.
PV .....	: Appliance with variable power.
PF .....	: Appliance with fixed power.

## IDENTIFICATION PLATE

### SERIAL NUMBER

<b>10 Characters :</b>	04 05 125 011		
		Sequential number	
		Manufacturing day	
		Year of manufacture	
<b>11 Characters :</b>	1 95 065004 - 31		
Month of manufacture :		Technical number of the appliance	
from 1 to 9 → Jan. to Sep.,		Sequential number	
O → Oct., N → Nov.,		Year of manufacture	
D → Dec.			
<b>19 Characters :</b>	08 05 0013199 900640031		
Year of manufacture		Product reference	
Month of manufacture		Sequential number	
<b>20 Characters :</b>	3675007 XX 2 07 070 00315		
Product reference		Sequential number	
Millenium of manufacture		Manufacturing day	
		Year of manufacture	
<b>21 Characters :</b>	3675007 XX 07 070 0000315		
Product reference		Sequential number	
Year of manufacture		Manufacturing day	