



C36 Combi

User, Installation and Servicing Instructions

FAN POWERED HIGH EFFICIENCY
MODULATING DOMESTIC CONDENSING
GAS COMBINATION BOILER

CE/PI No. 86-CM-44
C36 Combi - GC No. 47-930-01
C36P Combi – GC No. 47-930-02



These instructions must be left either with the
user or next to the site gas meter.

Keston Heating
PO Box 103, National Avenue, Kingston Upon Hull, HU5 4JN
Tel. +44 (0) 1482 443005 Fax. +44 (0) 1482 467133
email : info@keston.co.uk web : www.keston.co.uk

COMPLIANT WITH BUILDING REGULATION PART L1 & L2

SEDBUK A RATED



WD 388
issue 5 - 2011

CONTENTS

NB : These instructions are an integral part of the appliance. This document must be handed over to the user on completion of the installation to ensure compliance with the Gas Safety (Installation & Use) Regulations

Section	Description
0	HANDLING INSTRUCTIONS
0.1	List of contents
0.2	Recommended handling procedure
1	USER INSTRUCTIONS
1.1	Introduction
1.2	Maintenance
1.3	Boiler Setup and Operation
1.4	Safety Information
2	GENERAL INSTRUCTION
2.1	Description
2.2	Boiler Schematic
2.3	Related Documents
2.4	Physical Data
2.5	Optional Accessories
2.6	Performance Data C36 Combi and C36P Combi
3	BOILER LOCATION
3.1	Dimensions & Minimum Clearances
3.2	Service Connections
3.3	Position
3.4	Electrical
3.5	Boiler Size Selection
3.6	Gas Supply
3.7	CH & DHW Water Systems
3.8	Flue System
3.9	Air Supply
3.10	Compartment Installation
3.11	Condensate Drainage
4	INSTALLATION OF THE BOILER
4.1	Wall Mounting Bracket
4.2	Mounting The Boiler
4.3	Assembly Practice
4.4	Installing Flue And Air Pipes
4.5	Condensate Drainage
4.6	Water System
4.7	Gas Supply
4.8	Electrical Supply
4.9	Exchanging A Boiler
5	COMMISSIONING OF THE BOILER
5.1	Initial Flushing
5.2	Gas Supply
5.3	Electrical Installation
5.4	LP Gas
5.5	Initial Firing
5.6	Hot Flushing

5.7	Combustion Testing
5.8	Checking The Gas Pressure
5.9	Timing The Gas Meter
5.10	Handing Over To The User
6	FAULT FINDING
6.1	Electrical Control Sequence
6.2	Normal Operation
6.3	Fault Modes
6.4	Functional Flow Wiring Diagram
6.5	Electrical Wiring Diagram
6.6	Illustrated Wiring Diagram
6.7	Exploded Assembly Diagrams
7	SERVICING
7.1	Pre Service Checks
7.2	Recommended Routine Service
8	REPLACEMENT OF PARTS
8.0	General
8.1	Precautions
8.2	Access
8.3	Replacement Procedure
8.4	Electrical Components
8.5	Spark Ignition/Flame Detection Electrode
8.6	Burner
8.7	Heat Exchanger
8.8	Condensate Trap
8.9	Pump
8.10	DHW Heat Exchanger
8.11	Expansion Vessel
9	SPARE PARTS LISTINGS
10	GAS BOILER COMMISSIONING CHECKLIST

0. HANDLING INSTRUCTIONS

0.1 LIST OF CONTENTS

The Keston C36 Combi and C36P Combi are supplied almost totally pre-assembled. The units use standard 50 mm muPVC (BS5255 and/or BSEN1566-1 and BSEN1329) pipe for the flue and air intake systems. The boiler is packed in a single box without additional flue kit. All additional components are packed inside the boiler cabinet itself. The following is a list of components and their location in the boiler cabinet

Equipment List

Item	Quantity	Location
Wall Bracket Rawl Plugs	6	Inside accessories bag
Wall Bracket Wall Fixing Screws	6	Inside accessories bag
Wall Mounting Bracket	1	Secured to inside right hand side of boiler case
Pre-Installation Jig Locator Cross	1	Secured to outside right hand side of boiler case
Wall Mounting Bracket Nuts	1	Inside accessories bag.
Wall Mounting Bracket Washers	1+1	Inside accessories bag
50 mm muPVC Air/Flue Terminals	2	Inside accessories bag
Air Inlet Spigot (50 mm)	1	Inside accessories bag
Flue Outlet Spigot (50 mm)	1	Inside accessories bag
Air Inlet Spigot Gasket	1	Inside accessories bag
Air Inlet Spigot + Flue Outlet Spigot M6 Screws	4+2	Inside accessories bag
Cabinet Cable Entry Clamps	2	Inside accessories bag
Gas Isolating Cock with PTN	1	Inside accessories bag
Filling Loop Kit	1	Inside accessories bag
Outside Temperature Sensor	1	Inside accessories bag

Document List

Item	Quantity	Location
Boiler Warranty Registration Form	1	In document bag
Installation Template	1	In document bag

Remove the cabinet shell by removing the two retaining screws in the top of the cabinet and the two retaining screws in the bottom of the cabinet.

0.2 RECOMMENDED HANDLING PROCEDURE

NB : The following lift operation exceeds the recommended weight for a one-man lift as specified in the Manual Handling Operations 1992 Regulations.

For the carriage of carton it is recommended at least two people perform any lift. Clear the carriage route of the carton from point of delivery to point of installation. Take care to avoid trip hazards, slippery or wet surfaces and when climbing steps and stairs. Always use assistance if required. If a sack truck is used it is recommended the carton is strapped to the truck.

For the unpacking of the appliance from the carton, it is recommended at least two people perform any lift. It is recommended to cut the base end of carton and open the carton flaps. Ensure the protective packing over the boiler tappings at the base of the boiler is kept in place, then tilt the boiler forwards from its back onto its base and remove carton by sliding up over the boiler. When lifting this appliance the back should be kept straight at all times. Avoid twisting at the waist - reposition the feet instead. Avoid upper body bending when holding the appliance and keep the boiler as close to the body as possible.

Before hanging the appliance on the wall it is best to store the appliance laid on its back with the casing on. When ready to hang the boiler on the wall remove the casing and place to one

side. At this stage it is assumed that the wall bracket is correctly positioned and secured on the wall face.

- a) Have the wall bracket nut and washer to hand so that they can be accessed whilst holding the boiler in position on its mounting bracket. If the optional pre-installation jig is not being used discard the Pre-Installation Jig Locator Cross.
- b) The boiler has a dry weight of 45 kg (99 lbs) and will therefore require at least two people to lift without the use of lifting aids - ensure co-ordinated movements during lift. Always use assistance if required.
- c) Lift the boiler by gripping at the four corners of the boiler back plate. When lifting this appliance the back should be kept straight at all times. Avoid twisting at the waist - reposition the feet instead. Avoid upper body bending when holding the appliance and keep the boiler as close to the body as possible.
- d) Lift the boiler and locate onto the stud and the two pegs of the wall mounting bracket.
- e) Place the wall mounting bracket washers over the bracket stud protruding through the back plate of the boiler.
- f) Secure the boiler onto the wall bracket by fixing the wall mounting bracket nut onto the wall bracket stud. This must be tightened well.

Safety footwear and gloves are recommended PPE when lifting this appliance - to protect against sharp edges and ensure good grip.

The C36 Combi and C36P Combi boilers can be fitted in compartments with very small clearances required around the appliance (refer to Section 3.1). Due consideration should therefore be given to access within the compartment for lifting and positioning.

A pre-installation jig plate (part no C.10C.0.11.00.0) with heating flow, heating return and cold supply isolation is available as an optional accessory. This jig enables the installation of the pipework to be carried out and pressure tested before hanging the boiler. Further instructions for this procedure are included with the jig plate kit.

1. USER INSTRUCTIONS

1.1 INTRODUCTION

Thank you for choosing this Keston C36 Combi for your household heating and hot water needs. The boiler is designed to be very straightforward to operate and has no user serviceable parts inside the cabinet. The following instructions are to provide you with information on the operation and maintenance of your C36 Combi and what to do in the unlikely event of a fault.

These user instructions should be read carefully to ensure safe and economical use of your C36 Combi. The C36 Combi model is for use with natural gas only, the C36P Combi model is for use with LPG only.

1.2 MAINTENANCE

Servicing

To ensure continual safe and efficient operation and to maintain product warranties it is a requirement that the appliance is checked and serviced at least once per year. It is the law that any servicing must be carried out by a competent person. **Removal of the appliance cabinet by anyone other than a competent person will automatically invalidate the appliance warranty.**

Clearances

If fixtures are to be positioned close to the boiler, the following minimum clearances must be observed: Top 150mm, Left 5mm, Right 5mm, Base 100mm, Front 305mm. Extended clearance is required to the front for servicing.

Cleaning

Normal case cleaning only requires dusting with a dry cloth. To remove more stubborn marks wipe with a damp cloth and finish with a dry cloth.

1.3 BOILER SETUP & OPERATION

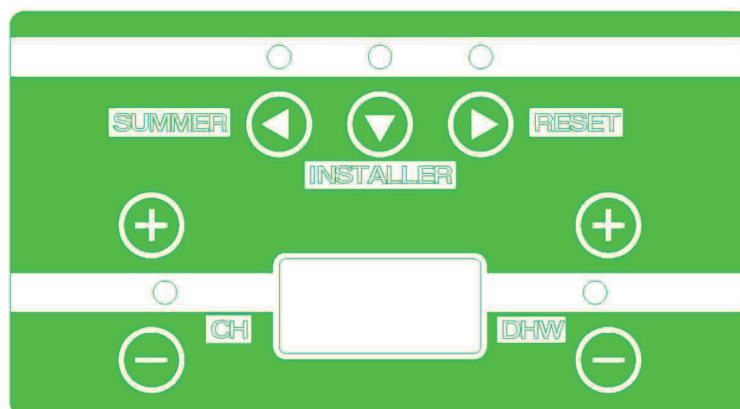
Check that the gas supply from the gas meter is turned on. Switch on the electrical supply to the boiler. The display will now run through a self check procedure. Set any controls to call for heat.

To light the boiler

The C36 Combi features separate adjustment of central heating and domestic hot water temperature. To set these press the “+” or “-” buttons associated with the heating or hot water temperature and set the required temperature. After a few seconds the display stop flashing and will change back to show the actual boiler temperature.

If the actual temperature is less than the desired temperature the boiler will fire and, after a few seconds, a “.” will appear in the lower right hand corner of the display to show that the boiler is alight.

In summer you can switch the boiler to hot water only by pressing the “Summer” button to that the green lamp above it is illuminated. In this mode the boiler will not respond to any demand for central heating. Press the “Summer” button again to extinguish the green light above and resume normal central heating operation.



Normal Operation

During normal operation the digital display will show the current boiler temperature and will show a "." In the lower right corner of the display when the burner is alight. If the green lamp near the CH or DHW+ - keys is illuminated the boiler is receiving a demand for that function. If the green lamp is flashing the boiler is either up to temperature or shutting down following removal of the CH or DHW demand.

Fault Modes

In the event that the boiler detects a situation which it considers to be a fault the display will change to show a flashing fault code starting with an "E" and then a two digit number. The table below explains these codes and the action you should take.

Display	Description of fault
E01	Ignition failure - the boiler has attempted to light five times and not succeeded - check the gas supply is on.
E02	False flame - There is possibly a problem with the power supply.
E03	Boiler overheat - Check that any valves to the heating circuit have not been shut down, that there is no air in the system and that the water pressure is correct..
E24	Water pressure losses - You have topped up the water pressure more than 4 times in 24 hours. You may have a leak on the system..
E26	Flame drop out - Check for obstruction of the flue and/or air terminals, blockage/freezing of the drain pipe or a low gas supply (LPG).
E34	Mains supply voltage < 180V - There may be a problem with your power supply
E35	Mains supply frequency incorrect - There may be a problem with your power supply.
E37	Water pressure error - You must top up the water pressure for your system
E40	Water pressure too high - You have put too much water pressure in your system

The above is an abbreviate list of possible error codes. If the code is not in the list above consult a GAS SAFE REGISTER registered engineer. A full list of codes can be found in Chapter 6 of this manual. If a code appears and you feel the original cause has been rectified, press the "Reset" button to resume boiler operation. If the code persists consult a GAS SAFE REGISTER registered engineer.

When topping up the water pressure you can observe the actual pressure by pressing the "Installer" button repeatedly until the number "5" appears. After a few seconds the display will then change to show the system water pressure in bar. Set the water pressure to between 1.0 and 2.0 bar.

Precautions

Care must be taken at all times to ensure that no blockage or obstruction is present in the condensate drainage line. In addition, the air intake and flue exhaust terminals must be free from obstruction at all times.

Frost Protection

The C36 Combi has an integral frost protection function. However, care should also be taken that any exposed pipework is adequately insulated to prevent freezing.

1.4 SAFETY INFORMATION

IF YOU SUSPECT A GAS LEAK TURN OFF THE APPLIANCE IMMEDIATELY, TURN OFF THE GAS TAP TO THE APPLIANCE (LOCATED UNDERNEATH) AND CONTACT YOUR LOCAL GAS REGION WITHOUT DELAY.

Benchmark Initiative

As part of the industry wide "Benchmark" initiative C36 Combi boiler manual includes **Gas Boiler Commissioning Checklist (Chapter 10)**. This form should be completed by



your installer at the end of the installation and commissioning process. The details of the Checklist will be required in the event of any warranty work being required. There is also **Service Interval Record (Chapter 10)** to be completed after each annual service visit.

These forms (Chapter 10) should be kept in a safe place for the life of the boiler.

The boiler should be installed and serviced only by GAS SAFE REGISTER registered operatives. All GAS SAFE REGISTER registered Installers carry a GAS SAFE REGISTER ID card and have a registration number. **Both should be recorded in your boiler manual (Chapter 10: GAS BOILER COMMISSIONING CHECKLIST).** You can check your installer by calling GAS SAFE REGISTER direct on 0800 408 5500.

2. GENERAL INSTRUCTION

2.1 DESCRIPTION

The KESTON C36 Combi and C36P Combi combination boilers utilise the latest in condensing technology to produce a high efficiency boilers that deliver an exceptional hot water flow rate with SEDBUK A rated efficiency.

The C36 Combi and C36P Combi are unique in concept and design. They comprise a high efficiency stainless steel heat exchanger coupled with a low emissions burner to deliver ultra high efficiency condensing mode operation and a plate-to-plate heat exchanger for domestic hot water production all within a compact wall hung cabinet. The unit automatically adjusts gas and air rate according to demand to give a heating output in the range of 7.4kW to 28.0kW [condensing]. The integral pump assembly is automatically speed controlled to best match water flow rate to heat output & further increase appliance efficiency. The efficient plate-to-plate heat exchanger provides superior levels of performance: its has an outstanding hot water performance of 14.5 L/min (at 35C temperature rise) and 17.0 L/min (at 30C temperature rise - EN625)

In addition, the boilers feature a connection for an optional outside sensor to enable the boilers inbuilt weather compensation option which delivers enhanced user comfort levels with peak operating efficiency due to the lower flow temperatures involved. The boiler also features an "Opentherm" connection point for the Keston Room Control module which provides further advanced user control for room temperature compensation and optimum start. The boiler fascia provides separate user controls for central heating and domestic hot water temperatures. The advanced hot water flow monitoring ensures exceptionally stable hot water temperatures are provided. The boilers have the added advantage of very high efficiency, and small diameter muPVC plastic flue which can be extended up to 20 metres horizontally or vertically.

The Keston C36 Combi uses a variable speed combustion blower to deliver a premix of gas and air to a downward firing burner in a high efficiency, single pass heat exchanger. The flue system is room sealed and fan powered. The ignition is direct spark and fully automatic. The boiler housing is **not** waterproof and should be installed in a position where it will always be dry. Combustion air is drawn from the cabinet which is connected to outside atmosphere via a small diameter plastic intake pipe. The cabinet therefore remains under negative pressure at all times the boiler is operating.

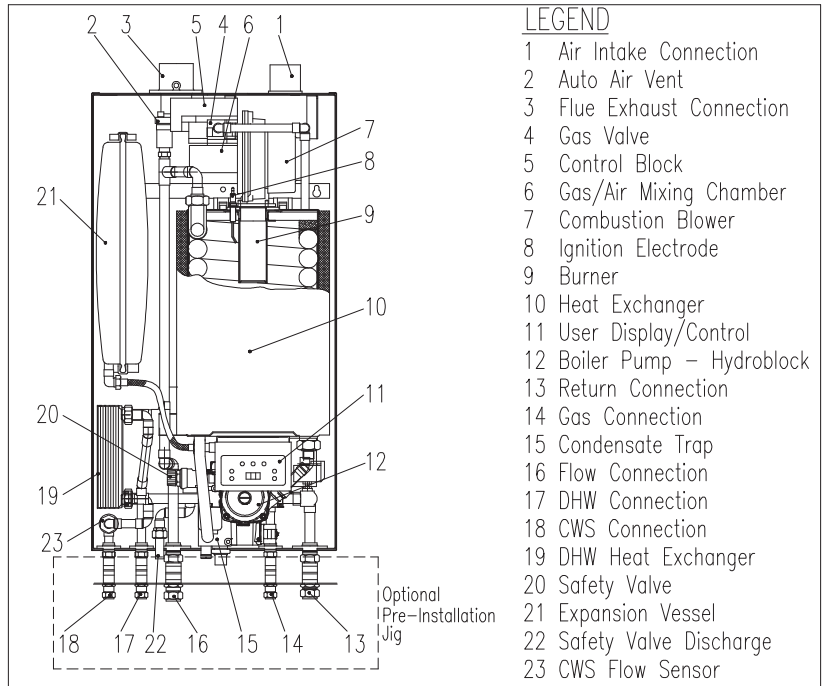
These boilers are designed for use as part of a sealed water central heating system with fully pumped circulation. The pump, an 8l expansion vessel and associated safety devices are all fitted within the boiler.

The boiler heat exchanger is made from highly corrosion resistant stainless steel in corrugated pipe form which provides massive surface area within a compact dimension. The hot combustion gases from the down firing burner pass around the stainless steel pipes imparting heat into the system water. The integral variable speed pump within the appliance cabinet ensures the heat exchanger receives correct water flow when firing. The C36 Combi is not a high water content boiler and does not contain the metal mass, or water volume, of a cast iron or steel boiler. This boiler is of low mass and low water content and therefore responds faster when there is a call for heat. The C36 Combi features full user diagnostics, integral frost protection function, automatic pump and fan exercise in periods of inactivity, anti cycle control and dry fire protection.

2.2 BOILER SCHEMATIC

Air is drawn into the boiler through a 50 mm muPVC (BS5255 and/or BSEN1566-1 and BSEN1329) plastic pipe or, alternatively, via a 75mm Keston composite plastic pipe. Gas is mixed with combustion air at the inlet to the fan. The gas flow is automatically regulated by the gas valve according to the air flow generated by the fan. The gas and air are thoroughly mixed in the blower and fed into the burner located at the top end of the heat exchanger module. The gas and air mixture is ignited by a direct spark ignition control

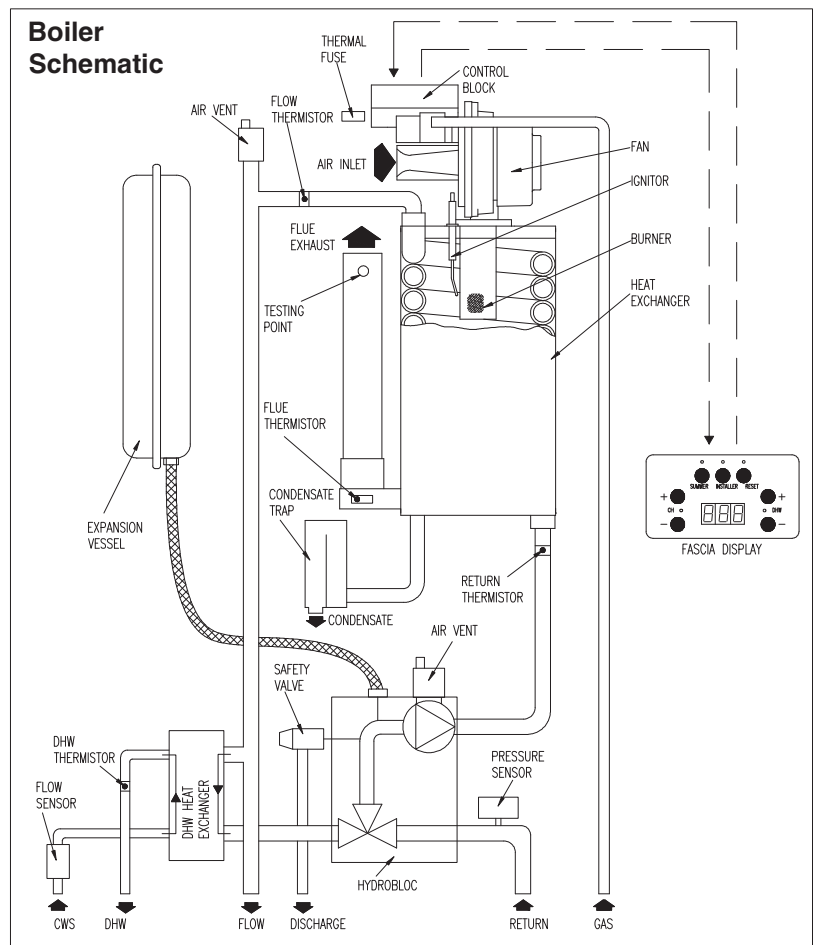
system and burns with a blue flame just off the surface of the burner. As the hot products of combustion pass downwards, they are cooled by exchanging heat with the circulating water which enters the heat exchanger at the bottom of the heat exchanger. The optimum heat input is detected by monitoring flow and return temperatures and is adjusted by controlling the speed of the fan. The optimum pump speed is also detected and automatically selected by the boiler.



When the return water temperature is below 55°C, part of the water vapour in the combustion products will condense inside the heat exchanger, thus increasing the boiler efficiency further by releasing the latent heat of condensation. This condensate falls to the bottom of the heat exchanger where it is separated from the flue gases and exits from the boiler through the condensate drain. Any condensate formed in the flue runs back down the flueway and is drained at the base of the flue connection to the heat exchanger or drain points within the flue.

The condensate is very slightly acidic (about the same acidity as vinegar) and should be piped in a plastic pipe. It is not harmful to the waste disposal system and may be disposed of as normal waste water.

The flue gases are piped in a 50 mm muPVC (BS5255 and/or BSEN1566-1 and BSEN1329) plastic or, alternatively, 75mm Keston composite plastic pipe to outside. The temperature of the flue gases are usually



around 5°C to 10°C above the temperature of the return water. The flue pipe should be terminated outside the building from where they cannot re-enter the building or any other adjacent building.

The heating level may be controlled by room thermostats, programmer time clocks and compatible energy management systems. An optional Keston room controller can be connected which will provide enhanced controls such as room compensation to further increase efficiency and comfort levels. Once the controls are set the boiler operates automatically. Further, a Keston outside sensor can be connected to the boiler which will automatically invoke weather compensated heating which further boosts user comfort and boiler efficiency.

In the event of the boiler overheating the safety devices will cause a safety shutdown. A safety discharge valve and discharge pipe is fitted to the boiler.

The C36 Combi features an integral frost protection function which will operate the pump, regardless of the external controls, should the boiler temperature fall below 10°C. In the event the boiler temperature falls below 5°C the boiler will also fire. This is to avoid damage to the boiler through freezing of boiler water. The boiler will turn off when the flow temperature exceeds 15°C.

The C36 Combi features an integral pump exercise function which will run the pump, without firing the boiler, for 10 seconds in the event the boiler is on standby for in excess of 24 hours without firing. This is to help prevent seizing of the pump due to long periods of inactivity.

2.3 RELATED DOCUMENTS

The Keston C36 Combi and C36P Combi Combination Condensing Boiler must be installed in accordance with the current issue of the *Gas Safety (Installation and Use) Regulations 1996*, current *IEE Wiring Regulations*, *Building Regulations*, *Building Standards (Scotland) Consolidation*, and the *Bye Laws of the local Water Undertaking*. It is the law that ALL gas appliances are installed by a competent person in accordance with the above regulations.

In addition, due account must be taken to the following Codes Of Practice:

<i>BS 6891</i>	:	<i>Low Pressure Installation Pipes</i>
<i>BS 6798</i>	:	<i>Installation of Gas Fired Hot Water Boilers of Rated Input Not Exceeding 70kW</i>
<i>BS 5449</i>	:	<i>Installation Pumped Central Heating</i>
<i>BS 5546</i>	:	<i>Installation of Gas Hot Water Supplies for Domestic Purposes (2nd family gases)</i>
<i>BS 5440.1</i>	:	<i>Flues (for gas appliances of rated input not exceeding 70kW)</i>
<i>BS 5440.2</i>	:	<i>Air Supply (for gas appliances of rated input not exceeding 70kW)</i>
<i>BS 5482.1</i>	:	<i>Domestic Propane and Butane Burning Installations</i>
<i>BS 7074.1</i>	:	<i>Expansion Vessels</i>
<i>BS 7593</i>	:	<i>Treatment of Water in Hot Water Central Heating Systems</i>
<i>BS 7671</i>	:	<i>Requirements for Electrical Installations. IEE Wiring Regulations 16th Edition.</i>
<i>BSEN 12828:2003</i>	:	<i>Heating Systems in Buildings: Design for water based heating systems</i>
<i>BSEN 12831:2003</i>	:	<i>Heating Systems in Buildings: Method for calculation of design heat load</i>
<i>BSEN 14336:2004</i>	:	<i>Heating Systems in Buildings: Installation and commissioning of water based heating systems</i>

For Timber Framed Buildings, British Gas Publications DM2. Also British Gas Publications 'Guidance Notes For The Installation Of Domestic Gas Condensing Boilers' and 'Specification For Domestic Wet Central Heating Systems'.

In IE, the installation must be carried out by a competent person and installed in accordance with the current edition of IS813 "Domestic Gas Installations", the current Building Regulation and reference should be made to the current ETC1 rules for electrical installations.

No alterations should be made to the boiler without written permission from **KESTON Heating**. Any unauthorised modification will invalidate the warranty and may affect the safe and efficient operation of the boiler.

2.4 PHYSICAL DATA - C36 COMBI & C36P COMBI

Cabinet Height	mm	840
Cabinet Width	mm	450
Cabinet Depth	mm	300
Top Clearance	mm	150
Side Clearance	mm	5
Base Clearance	mm	100
Front Clearance (for servicing)	mm	300
Weight - Full	kg / (lbs)	50/(110)
Weight - Empty	kg / (lbs)	45/(99)
Flow and Return Connection (using pre-installation jig)		22mm Compression
DHW and CWS Connection (using pre-installation jig)		15mm Compression
Gas Connection		15mm Compression
Condensate Connection overflow		22mm plastic
Safety Valve Connection discharge		15mm copper
IP Rating		IP20 (IPX0)
Flue and Air Intake Material	50mm muPVC (BS5255 and/or BSEN1566-1 and BSEN1329)	
Flue Pipe Size (nominal bore)	mm / (in)	50 / (2)
Air Intake Pipe Size (nominal bore)	mm / (in)	50 / (2)
Max. Air Intake Length	m	39
Max. Flue Outlet Length	m	20*
Max. Total Flue Outlet and Air Intake Length	m	40
* Flue lengths between 16 and 20m will create a 1% reduction in DHW output.		
Flue and Air Intake Material	75mm Keston Composite	
Flue Pipe Size (nominal bore)	mm / (in)	75 / (3)
Air Intake Pipe Size (nominal bore)	mm / (in)	75 / (3)
Max. Air Intake Length	m	117
Max. Flue Outlet Length	m	60**
Max. Total Flue Outlet and Air Intake Length	m	120
** Flue lengths between 48 and 60m will create a 1% reduction in DHW output		

2.5 OPTIONAL ACCESSORIES

A range of accessories are available from **KESTON Heating** to compliment an installation. Terminal wall sealing collars are available to make good the external all face whilst working from the inside of the building using 50mm muPVC (BS5255 and/or BSEN1566-1 and BSEN1329) pipe. Stand-off frames are available to leave a 50mm gap behind the boiler to allow routing of pipes behind the boiler.

Description	Part Number
Pre-Installation Jig Plate	C.10C.0.11.00.0
Flue Terminal Wall Sealing Collar (50mm)	C.08.0.00.07.0
Air Terminal Wall Sealing Collar (50mm)	C.08.0.00.07.0
50/75mm Flue Adapter	C.17.2.00.60.0
Flue Outlet Terminal (75mm)	C.17.2.26.00.0
Air Inlet Terminal (75mm)	C.17.2.26.00.0
Stand Off Back Plate	C.10C.0.01.00.0
Keston Chronotherm Room Controller	C.17.4.21.00.0

2.6 PERFORMANCE DATA - C36 COMBI & C36P COMBI

		C36 COMBI Nat. Gas (G20)	C36P COMBI LPG (G31)
Min. Input (Gross CV)	kW/(Btu/h)	8.3/(28,300)	8.1/(27,600)
Max. CH Input (Gross CV)	kW/(Btu/h)	28.3/(96,500)	27.7/(94,500)
Max. DHW Input (Gross CV)	kW (Btu/h)	40.0/(136,500)	39.0/(133,000)
Max. DHW Output to Water	kW/(Btu/h)	36.0/(122,800)	36.0/(122,800)
Max. CH Output To Water			
(80/60°C Flow/Return)	kW/(Btu/h)	25.2/(86,000)	25.2/(86,000)
(50/30°C Flow/Return)	kW/(Btu/h)	28.0/(95,500)	27.7/(94,500)
Min. CH Output To Water			
(80/60°C Flow/Return)	kW/(Btu/h)	7.4/(25,250)	7.4/(25,250)
(50/30°C Flow/Return)	kW/(Btu/h)	8.2/(28,000)	8.1/(27,600)
Max. Domestic Hot Water Flow Rate (at 35°C Rise)	litre/min	14.5	14.5
Specific DHW Rate (30°C Rise)	litre/min	17.0	17.0
Min. Domestic Hot Water Flow Rate	litre/min	0.35	0.35
Max. Domestic Hot Water Flow Temp.	°C	65	65
Max. Burner Press.-Hot (<i>Factory Preset</i>)	mbar/(in w.g)	0/(0)	0/(0)
Max. Gas Cons. After 10 mins (DHW)	l/s / (Ft ³ /hr)	1.03/(131)	0.48/(61)
Max. Operating Flow Temp.	°C	82	82
Max. Press. (Sealed System)	bar	2	2
Inlet Gas Pressure	mbar/(in w.g)	20.0 / (8.0)	37.0/(14.8)
Recommended Temp Diff.	°C	8 to 20	8 to 20
Electrical Supply		230V 50Hz	230V 50Hz
Power Consumption (Max)	W	180	180
Power Consumption (Standby)	W	6	6
Type of Gas		G20 Natural Gas	G31 LPG
Optimum Flue Gas CO ₂ Level (at max CH rate, case on)		9.3±0.2	10.6±0.2
Expected CO/CO ₂ Ratio (at max CH rate, case on)		0.0006	0.001
Destination Countries		GB/IE	GB/IE
SEDBUK Efficiency		90.7	92.8
NOx Class		5	5
Safety Valve	bar / (lbf/sq in)	3 / (43.5)	3 / (43.5)
Expansion Vessel Capacity	litre	8	8
[NB: For larger systems an additional expansion vessel may be required]			
Expansion Vessel Charge Pressure	bar / (lbf/sq in)	1.0 / (14.5)	
Heating System Minimum Pressure	bar / (lbf/sq in)	0.6 / (8.7)	
DHW Max. Working Pressure	bar / (lbf/sq in)	8/ (116)	
Min. Working Pressure for Max. Domestic Flow Rate	bar / (lbf/sq in)	2	
Maximum CWS Inlet Temperature	°C	50	50

Seasonal Efficiency (SEDBUK) =90.7 (C36 Combi) & 92.8 (C36P Combi)

This value is used in the UK Government's Standard Assessment Procedure (SAP) for energy rating of dwellings. The test data from which it has been calculated have been certified by Advantica Technologies Ltd

KESTON Heating declare that there are no substances harmful to health within the appliance or used during the production of the appliance.

The C36 Combi is intended for domestic and commercial EMC environments and on a governed G20 meter supply.

The C36P Combi is intended for domestic and commercial EMC environments and on a governed G31 supply.

This boiler meets the requirements of SI 3083 The Boiler (Efficiency) Regulations and is therefore deemed to meet the requirements of Directive 92/42/EEC. The CE mark on the appliance shows compliance with Directives 90/396/EEC, 73/23/EEC and 89/336/EEC.

IMPORTANT

This product contains ceramic fibre boards, which although not regarded as a risk, contain ceramic fibre which may cause temporary irritation to eyes, skin and respiratory tract. The fibres are held in place by inorganic binders. Therefore as long as the boards are not disturbed they will not be released. Since the boards are non-serviceable parts there should be no risk. Under no circumstances should the user interfere with any sealed parts.

To ensure that the release of fibres from these RCF articles is kept to a minimum, during installation and servicing we recommend that you use a HEPA filtered vacuum to remove any dust accumulated in and around the appliance before and after working on the appliance. When replacing these articles we recommend that the replaced items are not broken up, but are sealed within heavy duty polythene bags, and clearly labelled as RCF waste. RCF waste is classed as a stable, non-reactive hazardous waste and may be disposed at a landfill licensed to accept such waste. Protective clothing is not required when handling these articles, but we recommend you follow the normal hygiene rules of not smoking, eating or drinking in the work area and always wash your hands before eating or drinking. This appliance is not intended for use by persons (including children) with reduced physical, sensory or mental capabilities, or lack of experience and knowledge, unless they have been given supervision or instruction concerning use of the appliance by a person responsible for their safety.

Children should be supervised to ensure that they do not play with the appliance.

Benchmark Initiative

As part of the industry wide "Benchmark" initiative C36 Combi boiler manual includes **Gas Boiler Commissioning Checklist (Chapter 10)**. This form should be completed by your installer at the end of the installation and commissioning process. The details



of the Checklist will be required in the event of any warranty work being required. There is also **Service Interval Record (Chapter 10)** to be completed after each annual service visit.

These forms (Chapter 10) should be kept in a safe place for the life of the boiler.

The boiler should be installed and serviced only by GAS SAFE REGISTER registered operatives. All GAS SAFE REGISTER registered Installers carry a GAS SAFE REGISTER ID card and have a registration number. **Both should be recorded in your boiler manual (Chapter 10: GAS BOILER COMMISSIONING CHECKLIST)**. You can check your installer by calling GAS SAFE REGISTER direct on 0800 408 5500.

IN THE EVENT OF A GAS LEAK

Turn off the gas isolation valve to the property immediately. Extinguish all naked flames or other sources of ignition. Do not operate electrical switches on or off. Open all doors and windows to ventilate the area.

3. BOILER LOCATION

3.1 DIMENSIONS AND MINIMUM CLEARANCES

The boiler must be installed in minimum clearances shown to allow subsequent servicing, and safe operation. However, larger clearances may be required during installation.

3.2 SERVICE CONNECTIONS

Without Optional Pre-Installation Jig:

Gas, water, air and flue pipe, condensation, and electrical connections are as shown. Gas : 15mm compression. Flow/Return 0.75BSPM compression. DHW/CWS 0.5BSPM compression.

With Optional Pre-Installation Jig:

Gas, water, air and flue pipe, condensation, and electrical connections are as shown. Gas : 15mm compression. Flow/Return 22mm compression. DHW/CWS 15mm compression.

An optional stand-off frame is also available which mounts behind the boiler to leave a 50mm deep space behind the boiler. This is to permit pipe routing behind the boiler if required. See Section 2.5 - Optional Accessories.

3.3 POSITION

The C36 Combi and C36P Combi are not suitable for external installation. The boiler may be installed in any room or internal space, although particular attention is drawn to the requirements of the current IEE Wiring Regulations and, in Scotland, the electrical provisions of the Building Regulations

All dimensions in mm.

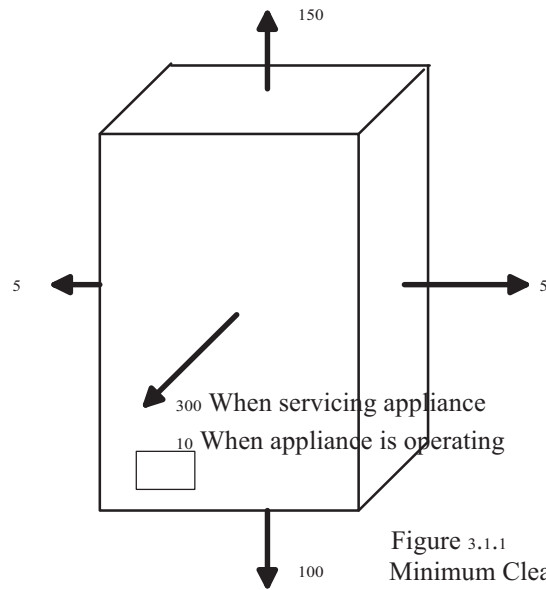
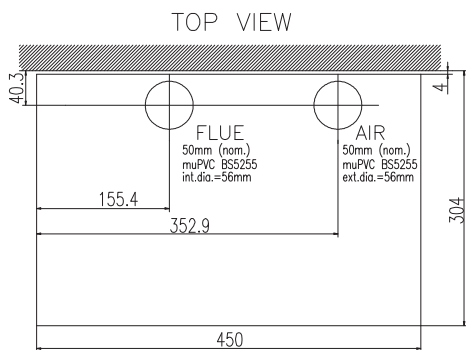
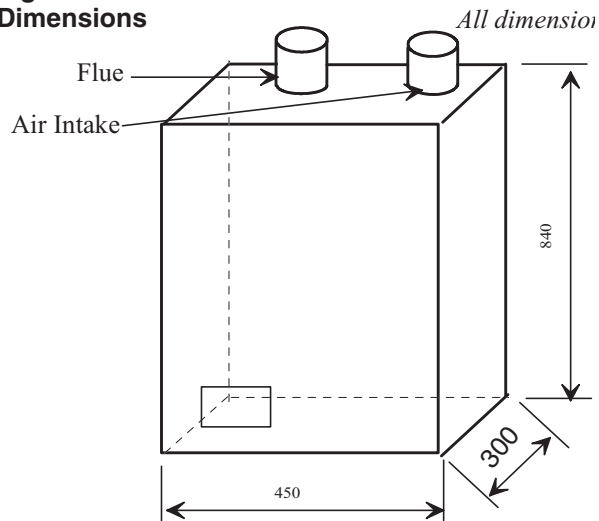
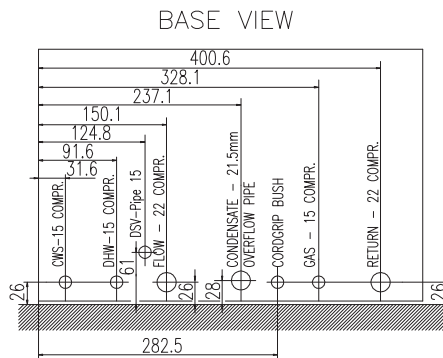


Figure 3.1.1 Minimum Clearances

Figure 3.1.2 Dimensions



Service Connection Locations



All dimensions are in mm

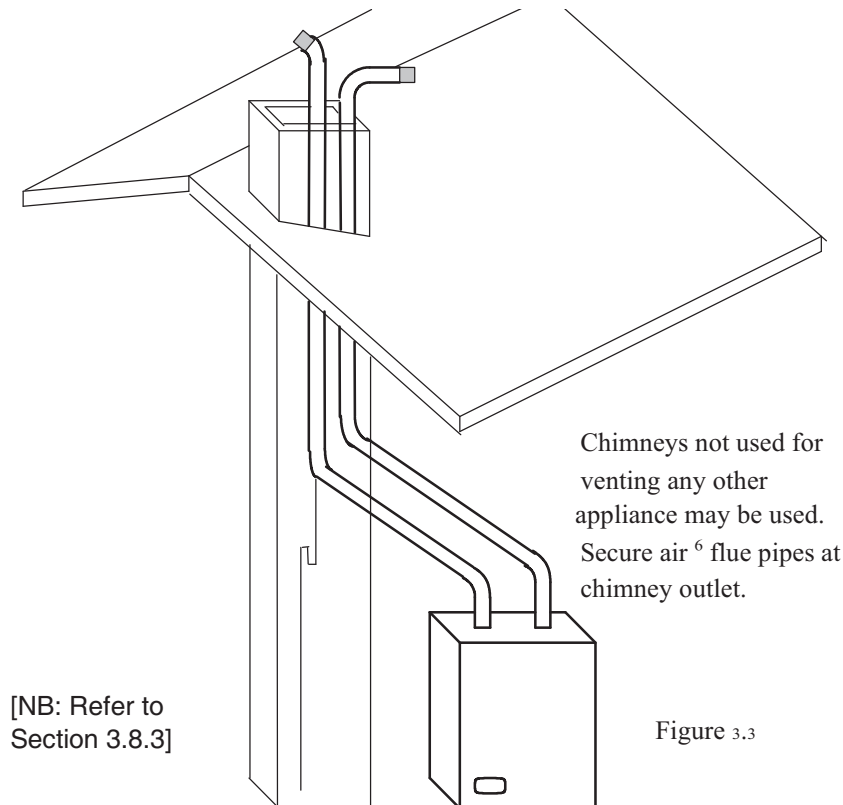
applicable in Scotland, with respect to the installation of the boiler in a room or internal space containing a bath or shower.

Where a room-sealed appliance is installed in a room containing a bath or shower, any electrical switch or appliance control, utilising mains electricity, should be so situated that it cannot be touched by a person using the bath or shower. The C36 Combi and C36P Combi are classified as IP20 (IPX0) and are therefore suitable for installation in Zone 3 areas, unless subject to hose down.

Compartment installation is permitted - such compartments must be constructed in accordance with BS 6798.

The wall on which the boiler is mounted must be of suitable load bearing capacity and must be non-combustible.

The Keston C36 Combi can be located virtually anywhere desired provided that all



regulations are complied with. Because of the boiler's compact size and venting flexibility, the installation is not limited to a boiler room setting. Before locating the boiler near a living space consider whether the sounds generated by the boiler will be objectionable. The boiler may be located within a cupboard enclosure to reduce noise levels if located within a living space. LPG boilers must not be installed in a cellar.

3.4 ELECTRICAL

3.4.1 Electrical Connections

The boiler must be connected to a permanent 230V ~ 50Hz supply, fused at 3A. **The boiler has provision to receive a 230VAC switched live signal from a room thermostat/time clock. Alternatively, a Keston Room Controller can be connected directly, via two core low voltage cable, to the terminals marked "OT". The Keston Room Controller will then provide fully room compensated control to ensure the boiler output is matched to the rooms requirements at optimum boiler efficiency. DHW demand will always take priority over heating demand.** Wiring external to the boiler must be in accordance with current I.E.E wiring regulations and local regulations.

The method of connection to the mains electricity supply **must** facilitate complete electrical isolation of the boiler, preferably by the use of a fused, unswitched three pin plug and a shuttered socket-outlet, both complying with the requirements of BS 1363. There must be only one common method of isolation for the boiler and its control system.

The appliance must be connected to the 3A supply via a fused double-pole switch having at least 3 mm (1/8 inch) contact separation in both poles, serving only the boiler and the system controls.

The connection point to the mains supply should be readily accessible and adjacent to the boiler, except for rooms containing a bath or a shower. Refer to section 3.3 Position.

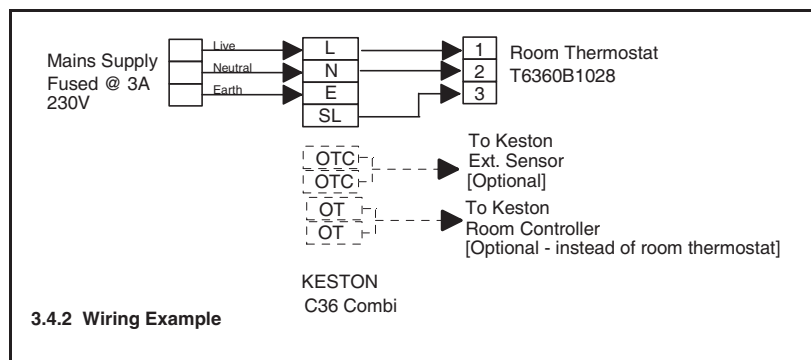
3.4.2 External Wiring & Controls

1. The boiler is designed so that **all** control wiring is external to the boiler.
2. Heating control signal inputs must be the 230VAC "switched live" type unless using a Keston Room Controller (see below)

3.4.2.1 Enhanced Control Options

Room Compensation (Opentherm)

A Keston Room Controller may be used to provide room compensated control to ensure the boiler output is matched to the rooms requirements at optimum boiler efficiency



Weather Compensation

A Keston outside temperature sensor may be connected as an option. The boiler will automatically detect this connection and will operate on a "weather compensation" basis when receiving a heating demand signal from the SL terminal or from a Keston Room Controller. Screened cable (80% density) must be used to connect the outside temperature sensor.

3.5 BOILER SIZE SELECTION

The C36 Combi will automatically adjust heat output and pump speed to match the system requirements at any given time. Efficiency and combustion levels are maintained at optimum levels throughout the possible output range. The C36 Combi is therefore suitable for all systems with a total heat load within the maximum range of the boiler.

3.6 GAS SUPPLY

A gas meter should be connected to the service pipe by the local gas region or their contractor. An existing meter should be checked preferably by the gas region to ensure that the meter is adequate to deal with the rate of gas supply required. Installation pipes should be fitted in accordance with BS 6891.

Minimum/Maximum Gas Pressure:

Natural gas pressure before the gas valve must be maintained at between 18 mbar (7.2 in WG) and 22 mbar (8.8 in) while the boiler is running.

LPG pressure must be maintained between 31.5 mbar (12.4 in w.g) and 37.6 mbar (14.8 in w.g) while the boiler is running.

Gas pressures above or below these levels will lead to problems associated with the gas valve's internal pressure regulator.

Supply pipes to the boiler must not be sized less than the boiler inlet connection (15 mm). Due consideration must be given to the supply pressure to other gas appliances in the premises. Reduction in dynamic gas supply pressure will result in intermittent ignition failures. Ensure gas supply pipe work is adequately sized for the length of run from the meter to the boiler at a supply rate of 40kW (i.e. a natural gas supply should be considered to be a minimum of 22mm diameter, reducing to 15mm at the boiler. If gas runs greater than 12m, including the allowance for bends, are involved the pipe size should be increased further).

3.7 CH & DHW WATER SYSTEMS

All piping must be installed in accordance with all applicable local and Water Supply Bylaws for forced hot water heating systems.

Consideration must be given to pipe capabilities and pressure drop through the piping when selecting pipe sizes. The primary pipe connections to the boiler must be sized according to the system load, not dictated by the boiler connection sizes.

Water treatment must be carried out to BS 7593 : Treatment of Water in Hot Water Central Heating Systems.

In IE the requirements given in the current edition of IS813 and the current Building Regulations must be followed.

- a The Keston C36 Combi is designed for installation on sealed water systems only. With fully pumped water circulation. The pump, an 8l expansion vessel and associated safety devices are fitted within the boiler.
- b Any system must be thoroughly flushed clean of grease, dirt and debris, prior to connection with the boiler. A trap may be installed in the flow line to collect any solder, or other debris, from the installation.
- c All water systems must be constructed to comply with requirements of the Local Water Authority.
- d Always use a system complying with the requirements of BS 5449 and BS 6798.
- e System design must ensure an open circuit is always available to ensure circulation when the pump overrun function is operating after boiler shutdown.
- f Isolation valves must be fitted on the cold mains supply, the heating flow and the heating return to enable isolation when maintaining the boiler. Such isolation valves are included in the optional pre-installation jig (C.10C.0.11.00.0)
- g Copper tubing to BS 2871 Part 1 or barrier plastic pipe suitable to 110°C, such as Unipipe, is recommended.
- h Jointing should be either with capillary, threaded or compression fittings. Pipes should have a gradient to ensure air is passed easily to vent points and water flows readily to drain points.
- i Draining taps must be located in accessible positions which permit the draining of the boiler. Draining taps should be at least 22 mm in nominal size and be in accordance with BS 2879. A drain tap is incorporated into the optional pre-installation jig (C.10C.0.11.00.0)

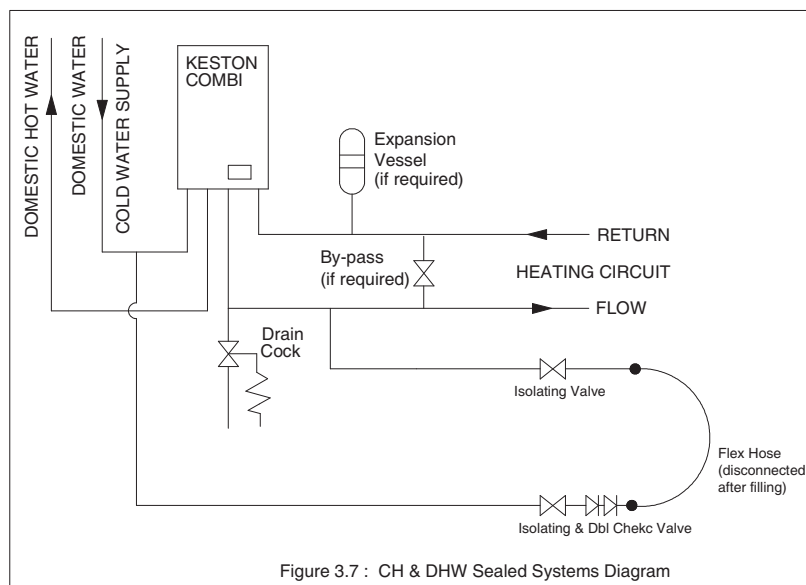
AIR VENT POINTS

- j These must be fitted at all high points where air will naturally collect and must be sited to allow complete draining of the system.

Table 3.7 Additional Expansion Vessel Selection

Safety Valve Setting	3.0 bar
Vessel charge & initial system pressure.	1.0 bar
Total Water Content of system in excess of 125 litres	Vessel Volume
25 litres	2.7
50 litres	5.4
75 litres	8.2
100 litres	10.9
125 litres	13.6

- k. The boiler is supplied with an integral expansion vessel of 8l capacity. This is suitable for systems of up to 125 Litres system volume. Table 3.7 Expansion Vessel Selection provides guidance for the correct additional expansion vessel size to use for systems with a water content larger than 125 Litres. Any additional vessel must be fitted on the boiler primary return.
- l. A filling point must be fitted, in accordance with local water authority requirements. An approved filling loop is supplied loose with the boiler installation jig. There must be no permanent connection to the mains water supply. The filling loop must therefore be left isolated at both ends and disconnected after the system is filled.
- m. The installation must be designed to work with flow temperatures of up to 110 °C. All components of the system must be suitable for a working pressure of 3 bar and a temperature of 110 °C. Care should be taken in making all connections that the risk of leakage is minimised.
- n. The pipe from the safety discharge valve must not discharge above an entrance, window or any type of public access area. The boiler safety discharge valve pipe must be extended using not less than 15mm pipe to discharge, in a visible position, outside the building, facing downwards, preferably over a drain. The pipe must have a continuous fall and be routed to a position so that any discharge of water, possibly boiling, or steam cannot create any danger to persons, damage to property or external electrical components or wiring. To ease future servicing it is advisable to use a compression type fitting to extend the safety discharge valve pipe.



3.7.1 Boiler By-pass Piping

Boiler water flows are critical to the operation of the boiler. If flow cannot be maintained through the system piping to meet the minimums required by the boiler, insufficient water flows through the boiler will cause the boiler to "kettle" or even produce steam which can damage the heat exchanger and will invalidate the heat exchanger warranty. In addition, an open circuit is required after boiler shutdown to permit circulation during the boiler's 2 minute pump overrun sequence.

It is advisable to incorporate a boiler by-pass in the system, especially if thermostatic radiator valves are used. The flow/return differential should be 10°C to 20°C. **To comply with the Building Regulations Part L1 the bypass must be of the automatic type.**

3.7.2 Air Elimination

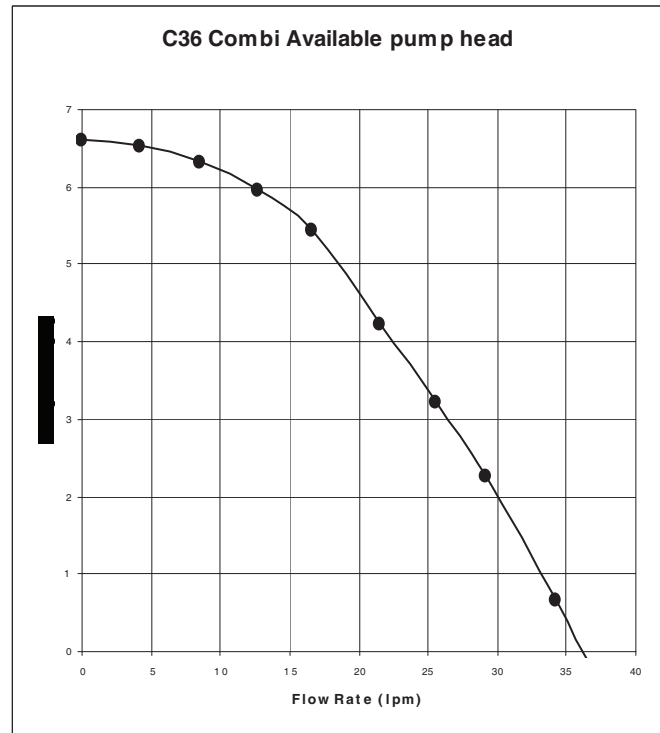
In the initial charge of water to the boiler system and in all subsequent additions of water to the system some air will be dissolved in the water. As the water is heated the air is

driven out of the solution and will collect in high spots in the system. **These air bubbles can interfere with pumping and heat transfer and must be eliminated.**

Installation of air bleed valves at the high spot(s) in the system will allow for air elimination when filling the system and will allow re-venting in a day or so after all air has been driven out of solution.

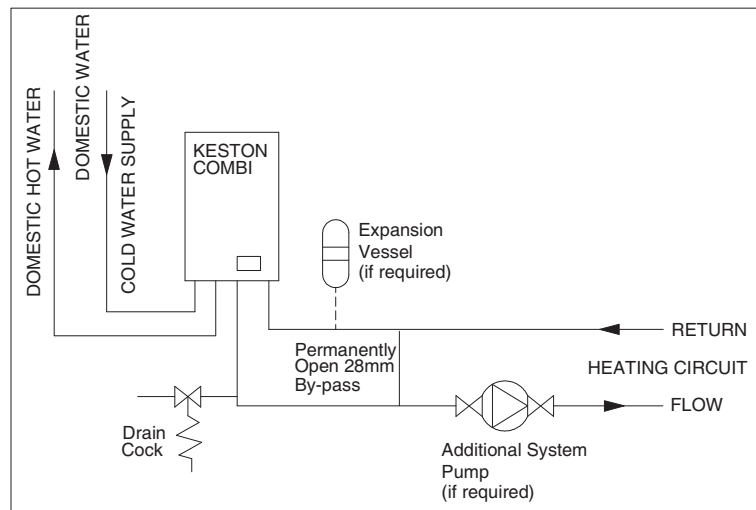
3.7.3 System Pump Selection (if required)

The C36 Combi features an integral circulating pump which has sufficient excess head to drive most domestic systems. The available head is shown in the graph below. If the system index circuit resistance is in excess of the available head from the integral pump an additional system pump will be required.



The schematic below illustrates a recommended approach to using an additional system pump. The additional system pump should be sized to overcome the index circuit resistance only as the boiler's integral pump will overcome boiler resistance.

If an additional pump is required the selected pump must comply with BS 1394. Provision must be made in the system design for control of the additional pump.



3.7.4 Filling The System

The boiler is supplied with an approved filling loop device. This filling device is designed to enable initial fill and topping up of system pressure. The system should be set to a pressure of between 1.0 and 1.5 bar. To display the system water pressure press the "Installer" button, on the boiler fascia, repeatedly until the number 5 appears on the display. After a few seconds the display will change to show the water pressure, in bars. Using the filling loop set the pressure to 1.0 to 1.5 bar,

3.8 FLUE SYSTEM

NB: When installing a replacement boiler a new flue system must be used. Do not re-use the existing boiler flue installation.

3.8.1 Design

Individual air supply and flue outlet pipes are used. The material used for flue outlet &/or air inlet must be **muPVC** to BS 5255 and/or BSEN1566-1 and BSEN1329 of an internal diameter of 51 mm. (i.e. nominal 50 mm diameter muPVC solvent weld waste pipe). Marley muPVC Solvent Weld Waste System (50mm) and Polypipe System 2000 muPVC Solvent Weld Waste (50mm) are recommended systems. **DO NOT USE ABS PIPE OR FITTINGS.**

Alternatively, where flue or air intake lengths of up to 60m are require, Keston Composite 75mm flue and air pipe can be used (contact your **KESTON Heating** stockist for details). Keston Composite 75mm pipe **MUST** be painted where exposed to UV light.

Both 50mm flue outlet terminal and 50mm air inlet terminal are supplied and are illustrated in Figure 3.8.1. Both terminals are identical. If 75mm terminals are required these can be obtained from your **KESTON Heating** stockist. Request part numbers C.17.2.26.00.0 (terminals) and C.17.2.00.60.0 (50 to 75 adapters).

3.8.2 Maximum Lengths

The maximum lengths of both air inlet pipe and flue outlet pipe, when no bends are used, are as detailed below.

However, each bend used has an equivalent length that must be deducted from the maximum straight length stated above. Knuckle bends must not be used.

A 92.5° sweep elbow is equivalent to 1.0m straight length. A 45° bend is equivalent to 0.5m straight length

	50mm	75mm
Maximum Air Inlet Length :	39.0m	117.0m
Maximum Flue Outlet Length:	20.0m*	60m**
Maximum Total Flue and Air Intake Length :	40.0m	120.0m

* A flue length of between 16 and 20m in 50mm pipe will reduce the DHW output by 1%

** A flue length of between 48 and 60m in 75mm pipe will reduce the DHW output by 1%

Example (assuming 50mm muPVC flue and air pipework)

Air inlet uses two 92.5° sweep elbows. Hence, maximum length permissible (i.e. a+b in figure 3.8.2) = 39.0m - 1.0m - 1.0m = 37.0m

Flue outlet uses one 92.5° sweep elbow. Hence, maximum length permissible (i.e. c+d in figure 3.8.2 = 20.0m - 1.0 m = 19.0m

3.8.3 Slope

'Horizontal' flue outlet pipework **MUST** slope at least 2 degrees (35 mm per metre run) downwards towards the boiler. Pipework can be vertical. Only swept elbows can be used.

Air inlet pipework can be truly horizontal or vertical, or sloping in a downward direction towards the boiler but in this case rain, etc., must be prevented from entering the pipe.

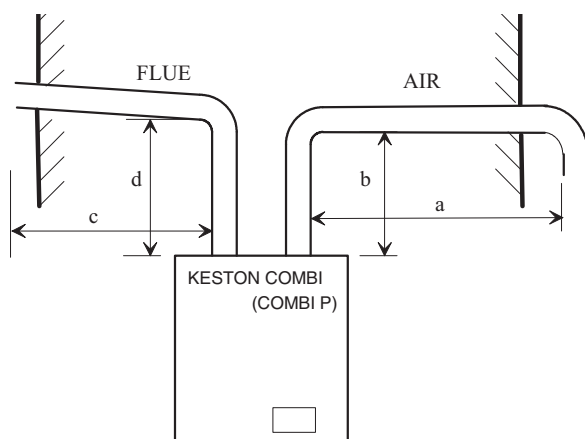


Figure 3.8.2 : Flue Air Maximum Length Example

There must be no troughs in any of the pipework, whether it be air inlet or flue outlet.

Due the low temperature of the flue gases further condensate will form within the flue system. Drain points, with suitable traps, must therefore be incorporated within the flue system at the base of vertical flue sections in excess of 6m, for 50mm muPVC pipe flue systems. These additional condensate drains must be run to discharge as detailed in section 3.11. Such drain points can be formed using standard muPVC fittings. Refer to the example in Figure 3.8.3.

3.8.4 Terminations

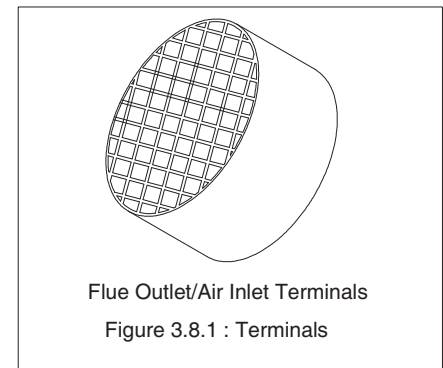
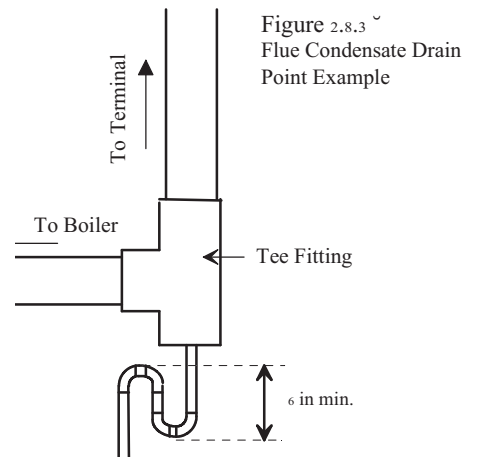
Air inlet terminals must be facing horizontally or downwards to prevent entry of rain into the terminal and positioned to ensure only fresh air is drawn into the boiler. The air terminal must be located outside of the building.

Drawing of combustion air directly from a ventilated boiler room invalidates the heat exchanger warranty.

The flue outlet terminal is designed to face outwards but can, if desired, be adapted to face in any direction **BUT** must not be directed in the region of the air inlet. The flue terminal and air inlet terminal can be located on different, but not opposing wall faces.

The two terminals are subject to the requirements of BS 5440 Pt 1 for clearances from features of the building although some can be decreased to the values indicated.

The Keston C36 Combi and C36P Combi, as with any condensing boiler, will generate a condensate “plume” from the flue terminal in all weather conditions. Consideration must therefore be given to the effect of this “plume” when selecting a location for the flue terminal. It is the responsibility of the installer to ensure the selected terminal location does not cause nuisance.



Dimensions (mm)	Flue Terminal	Air Inlet
A Below or beside openable window, air brick, etc.	300	50
B Below gutters, soil pipes, drain pipes.	75	75
C Below eaves.	200	50
D Below balconies or car port roof.	200	50
E From vertical drain or soil pipes.	75	50
F From internal or external corner.	200	50
G Above ground or balcony or roof.	200	100
H From surface facing a terminal *	600	100
I From terminal facing a terminal.	1,200	1,200
J From opening in a car port.(not recommended)	1,200	100
K Vertically from terminal on same wall.	1,500	1,500
L Horizontally from terminal on same wall.	300	300

*The dimensions given in the table above may need to be increased to avoid wall staining and nuisance depending on site conditions.

It is advisable for horizontal flue terminals to place a 45° elbow at the end of the flue to direct the condensate plume up and away from the property. If the air intake is within 500mm of the flue outlet the air must not terminal at a level above that of the flue

If either the air inlet or flue outlet terminate at a height of less than 2.1m above ground level, the terminal must be protected by a suitable guard. The K4 terminal guard (with plastic coating), manufactured by Tower Flue Components Ltd is suitable for this purpose.

3.8.5 Clearances From Wall

Flue outlet and air inlet terminations must be at least 40 mm from the wall face.

3.8.6 Distance Between Flue Outlet & Air Inlet

There is no maximum - the terminations must not be on opposite sides of the dwelling but can be in areas of unequal pressure..

A minimum clearance of at least 200 mm must be left between the terminations.

3.8.7 General Installations

All parts of the system must be constructed in accordance with BS 5440 Part 1, except where specifically mentioned in these instructions.

All pipe work must be adequately supported.

All joints other than push-on or plastic compression connectors must be made and sealed with solvent cement suitable for muPVC pipes and conforming to BS 6209: 1982.

Consideration must be given to Corgi/Gas Safe bulletin TB200/TB008 regarding flues in voids.

The boiler casing must always be correctly fitted to the boiler when leaving the appliance operational.

External wall faces and any internal faces of cavity walls must be made good.

Rubber collars are available for flue and air terminals to finish the external wall face around the terminals (Part No C.08.0.00.07.0)

3.9 AIR SUPPLY

The KESTON C36 Combi and C36P Combi are room sealed appliances and therefore do not require purpose provided ventilation to the boiler room for combustion air.

3.10 COMPARTMENT INSTALLATION

Due to the low casing temperatures generated by the boiler, no compartment ventilation is required. However, the cupboard or compartment must not be used for storage.

3.11 CONDENSATE DRAINAGE

Being a condensing boiler, the C36 Combi and C36P Combi are fitted with a condensate trap at the base of the heat exchanger and flue assembly, with facility to connect to a drain point underneath the appliance.

Use only plastic piping and do not reduce below 15 mm internal diameter within the dwelling. Condensate should preferably be drained into the sanitary waste system or, alternatively, the rainwater system of the property in most cases. Ensure in all cases that the disposal of the condensate is in accordance with any local regulations in force.

Termination of the pipe must be either at a branch or stack internal to the house, or externally at an open gully. Alternatively, discharge into a purpose made condensate soakaway can be considered. Existing or purpose built drains must use suitable corrosion resistant material as condensate is mildly acidic.

The connection to the condensate drain of the boiler, and the condensate drain pipework itself, should be properly sealed to ensure there is no possibility of leakage into the dwelling.

A minimum slope downwards towards the drain of 1 in 20 is essential. Freezing of the termination and pipework must be prevented. Any drainage pipes outside the property must be at least 32 mm *inside* diameter.

4. INSTALLATION OF THE BOILER

Read Chapter 3 - Boiler Location and decide upon the position of the boiler.

Installation of the boiler is straightforward but consideration must be given to access to allow flue and air pipes to be pushed through walls and ceilings. The order in which the components are installed will depend upon particular site conditions, but in general it will be easiest and most accurate to install the boiler and then build up the flue outlet and air inlet pipes to the terminal - this is the sequence described.

4.1 WALL MOUNTING BRACKET

a Place the bracket on the wall horizontally with the pre-drilled holes at the bottom and position as dictated by the template supplied within the boiler packaging.

b Drill through the centre hole of the bracket, plug the hole and fix in position.

c Using a spirit level make sure the bracket is completely level and mark the position of the other screw holes.

d Remove the bracket and drill the holes in the positions marked. Plug these holes.

e Screw the bracket to the wall using screws of an appropriate size for the wall type (No. 12 x 2 inch wood screws normally suffice).

f Fix the cross spacer to the wall bracket locating pegs and mark the resulting location for the pre-installation jig dictated by the lower ends of the cross spacer.

g Drill and plug the holes for the pre-installation jig.

h Screw the pre-installation jig to the wall using screws of an appropriate size for the wall type.

If you have purchase the optional pre-installation jig you are now able to connect system pipework to the pre-installation jig, isolate using the valves supplied as part of the jig and pressure test the system pipework prior to mounting of the boiler. System flushing and cleaning should also be carried out at this stage prior to boiler mounting.

4.2 MOUNTING THE BOILER (after system cleaning and testing)

a Lift and locate the boiler onto the stud and the two locating pegs protruding from the wall bracket. (lift the boiler via the back frame only)

b Lower the boiler for hanging on the two pegs.

c Fix the boiler on the bracket stud using the nut and the washers supplied.

d Make the gas, DHW, CWS, flow and return connections to the system or, if a pre-installation jig is being used, the pre-installation jig valves using the swivel nut connections supplied. Ensure the compound gasket inserts are in place inside the swivel nut face before tightening. Check all joints for soundness.

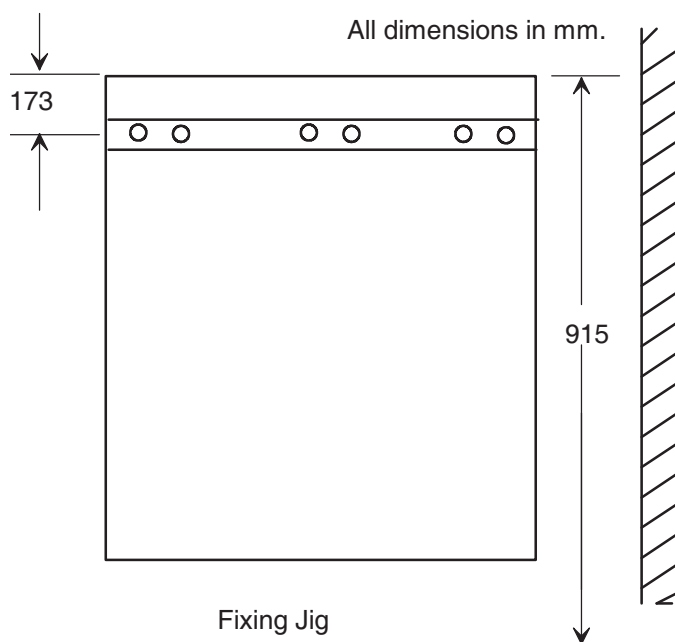


Figure 4.1 Wall Mounting Fixing Locations

4.3 ASSEMBLY PRACTICE

Remove all plastic debris and burrs when installing air intake piping. Plastic filings caused by cutting muPVC pipe must not be allowed to be drawn into the combustion air blower. Prevent dust entering the air intake when cutting on building sites. Blower failure which is determined to be caused by plastic filings or other debris will not be covered by guarantee.

4.4 INSTALLING FLUE AND AIR PIPES

IMPORTANT - When installing the boiler on an existing system a new flue and air intake system MUST also be installed. You must NOT re-use existing flue or air pipework components.

NB: When installing the boiler, consider:

Flue Spigot Assembly

The flue spigot (50mm muPVC) is inside the accessory bag.

Put the flue spigot assembled with the test plug on the cabinet frame and secure it by fastening the two M6 screws. Couple the spigot to the internal flue pipe using the flexible couple and fastening clips. Ensure the clips are properly secured and no leakage can occur.

Remember the flue pipe must slope downwards back towards the boiler and this is best achieved using 92.5° bends.

- a Using the template supplied within the boiler packaging mark the positions of the two holes for the flue and air pipes on the wall(s) or ceiling.
- b Drill the two holes in the wall/ceiling, preferably using a core drill.
- c Measure, cut and check the air and flue pipes to pass to the exit from the wall(s) or ceiling.

Always thoroughly deburr all pipes and, most important, remove shavings from within the pipe.

- d Mount the boiler on the wall bracket and fix the air spigot (packed loose with the boiler and with appropriate gasket) to the boiler air inlet connection tightly to ensure there is no leakage. Assemble, using adhesive, the pipework from the boiler connections to the exit from the first wall/ceiling (remount the boiler if removed). When pushing pipe through walls, ensure grit and dust is not allowed to enter the pipe. Ensure pipes are fully engaged into sockets and solvent welded with no leaks.
- e Using the same methods drill any further holes (always covering existing pipework), cut and assemble the pipework.
- f From outside, complete the two terminations - See Section 3.8 Flue System and make good all holes. (wall sealing collars are available to make good hole areas on the wall face (part number C.08.0.00.07.0)
- g Support any pipes whose route could be displaced either of its own accord or by accident. Any horizontal run over 1m or vertical runs of any length must always be supported. Brackets should be placed at intervals of approximately 1m.
- h Check all connections for security and re-seal any joints using solvent cement where soundness may be in doubt.

Note: It is equally important to seal the air inlet with solvent cement as the flue outlet pipe joints.

4.5 CONDENSATE DRAINAGE

NB: When installing the boiler, consider:

Condensate Trap Assembly

The condensate trap is fitted loose inside the cabinet.

- i) remove the nut from the condensate trap spigot;
- ii) fit the condensate trap through the two holes in the bottom of the frame;

- iii) replace the nut from the frame bottom

Connect the condensate drainage system to the boiler. It is advisable to use a detachable fitting at connection to the boiler to enable easy removal for servicing.

Fill the condensate trap by pouring water into the boiler flue until water is seen to flow freely from the condensate drainage system. Make the final connection of flue pipe to the boiler.

Details are provided in Chapter 3 - Section 3.11 Condensate Drainage

Connection : 22 mm plastic pipe.

4.6 WATER SYSTEM

Installation Without Optional Pre-Installation Jig:

Connect the flow and return HEATING CIRCUIT system pipework to the boiler. Details of system requirements are given in Chapter 3 - Section 3.7 Water Systems.

Connections : 0.75 BSPM

Connect the flow and return DOMESTIC WATER pipework to the boiler. Details of system requirements are given in Chapter 3 - Section 3.7 Water Systems.

Connections : 0.5 BSPM

Installation With Optional Pre-Installation Jig:

Connect the flow and return HEATING CIRCUIT system pipework to the boiler jig valves. Details of system requirements are given in Chapter 3 - Section 3.7 Water Systems.

Connections : 22mm compression

Connect the flow and return DOMESTIC WATER pipework to the boiler jig valves. Details of system requirements are given in Chapter 3 - Section 3.7 Water Systems.

Connections : 15mm compression

For optimum performance after installation, this boiler and its associated central heating system must be flushed in accordance with the guidelines given in BS7592:1992, "Treatment of water in domestic hot water central heating systems".

This must involve the use of a proprietary cleaner, such as Fernox Superfloc, or BetzDearborn's Sentinel X300 or X400. Full instructions are supplied with the products, but for immediate information, please contact Fernox on 01799 550811 or BetzDearborn on 0151 420 9563.

For long term protection against corrosion and scale, after flushing, it is recommended that an inhibitor such a Fernox MB1 or BetzDearborn's Sentinel X100 is dosed in accordance with the guidelines given in BS7593:1992.

4.7 GAS SUPPLY

Connect the gas supply to the appliance. Details of gas supply requirements are given in Chapter 3 - Section 3.6 Gas Supply. Supply of adequate gas pressure (with the boiler running) is critical to ensure reliable operation of the boiler.

Connections : 15mm compression

4.8 ELECTRICAL SUPPLY

The entry point(s) for the electrical supply cable(s) is in the base of the appliance (see Section 3.2 Service Connections fig. 3.1.2) via a cordgrip bush. Feed the cable through the bush and route inside the cabinet to the connection strip located to the front bottom right area of the cabinet.

1. The electrical supply must be as specified in Chapter 3 - Section 3.4 Electrical Supply.

WARNING : THIS APPLIANCE MUST BE EARTHED.

2. All external controls and wiring must be suitable for mains voltage. Supply wiring should be in PVC insulated cable not less than 0.75mm² (8.0mm dia) to BS 6500 Table 16 (material code H05VV-F).

3. The permanent live supply connection may be via a 3 amp fused double pole switch, serving only the boiler. (Refer to Chapter 3 - Section 3.4 Electrical Supply). The system controls for the boiler must also be supplied via this isolator.

4. Securely tighten the terminal screws and route the cable(s) through the re-openable cable clips. Ensure all cables are secured and that the cord grip bush is tightened to securely grip the main cable at entry to the cabinet. Remove the factory fitted link wire between the room thermostat terminals on the boiler. The supply cable(s) must be connected to the main terminals as follows:-

L	- Brown wire (Live) 3A permanent supply
N	- Blue wire (Neutral) for 3A permanent
E	- Yellow/Green Wire (Earth)
SL	- 230V Switched Live - i.e. Room Thermostat
Opentherm	-Optional Keston Chronotherm room compensating programmable room thermostat. (Part no C.17.4.21.00.0)
Ext. sens.	-Optional outside temperature sensor for weather compensation. (Sensor part no C.10C.0.09.00.0)

Ensure connection is made such that if the cable slips in its anchorage the current carrying conductors become taut before the earthing conductor.

4.9 EXCHANGING A BOILER

Before removing an existing boiler add Fernox Supafloc , or equivalent cleaning agent, in accordance with the manufacturers instructions. Open all radiator valves and fire the boiler. When the system is fully heated, shut off the gas supply and drain down the central heating system.

Important

The C36 Combi and C36P Combi combination condensing boilers contain components which could be damaged or blocked by grease, dirt or solder etc. It is essential that sludge or scale is removed from an existing system before fitting the boiler.

The guarantee provided with the Keston C36 Combi and C36P Combi does not cover damage caused by system debris or sludge.

Connect the new boiler as instructed in this manual and fit in accordance with Sections 4.1 to 4.8

Fill to a pressure of about 2.5 bar. Check the complete system for water soundness. If leaks need to be rectified using flux or solder the system must be flushed cold again before proceeding.

Reduce the pressure to the Initial System Design Pressure. Vent the system.

Gas Supply

The complete gas installation up to the boiler gas control valve must be checked for soundness. BS 6891.

Electrical Installation

Carry out preliminary electrical safety checks, i.e. Earth continuity, Polarity, Resistance to Earth, Short Circuit and earth loop impedance using a suitable test meter.

Initial Firing

The gas pressure setting is factory adjusted to within the required range and does not need readjustment. If the reading is incorrect then check such factors as soundness of the air and flue pipe joints, pressure sensible joints and the gas inlet pressure (minimum 18 mbar required for Natural Gas and 31 mbar required for LP gas). If all joints are sound and the gas inlet pressure is satisfactory set the gas pressure check the gas input. Full details of this procedure are given in Section 5.9 Timing The Gas Meter.

Combustion Testing

It is advisable on all installations that the combustion quality is checked by measuring the carbon dioxide (CO₂), or oxygen (O₂), level. This procedure is detailed in Section 5.7 Combustion Testing. Badly tuned combustion will lead to reduce the life of the boiler and invalidate the warranty.

5. COMMISSIONING OF THE BOILER

Important: This condensing combination boiler contains components which could be damaged or blocked by grease, dirt, solder etc., from the water system. The following commissioning procedures must be followed precisely.

It is essential that combustion is checked at high and low rate , as per Section 5.7, using a calibrated flue gas analyser set for the relevant gas type.

5.1 INITIAL FLUSHING

All waterways within the Keston C36 Combi and C36P Combi are either copper or high alloy stainless steel. As a result water treatment chemicals for central heating boilers such as Fernox MB1, Sentinel X100 or equivalent, are suitable. In any event reference must be made to BS 7593 : Treatment Of Water In Hot Water Central Heating Systems.

- a. Disconnect the boiler from the system at the flow and return connections and temporarily link the flow and return pipes on the system.
- b. Flush the entire system until clean water is discharged, free from dirt, flux, solder etc. The use of a flushing chemical is recommended, e.g. Fernox Supafloc, or equivalent.
Sludge and scale must be removed from an existing system. Boiler failure due to system debris or sludge shall invalidate the guarantee.
- c. Connect the system to the boiler and fill in accordance with Section 3.7 - CH & DHW Water Systems. At this stage fill to a pressure of about 2.5 bar.
- d. Check the complete system for water soundness. If leaks need to be rectified using flux and solder, the system must be flushed cold again before proceeding.
- e. Reduce the pressure to the Initial System Design Pressure. Vent the system

5.2 GAS SUPPLY

The complete gas installation up to the boiler service cock must be checked for soundness. BS 6891.

5.3 ELECTRICAL INSTALLATION

Carry out preliminary electrical safety checks, i.e. Earth continuity, Polarity, Resistance to Earth, Short Circuit using a suitable test meter.

5.4 LP GAS

The Keston C36 Combi and C36P Combi are supplied preset for the gas designated on the boiler packing. No field conversion is possible. LPG installations must use C36P Combi models only.

5.5 INITIAL FIRING

Important

Checking the gas pressure to the pre-mix burner requires a special procedure, outlined below, which must be carried out.

- a. Purge the gas supply in accordance with BS 6891.
- b. Vent the water system.

Important:

The heat exchanger consists of corrugated tubes which can trap an air pocket. Great care must be taken to ensure that water flow has been established through the heat exchanger and thus ensuring no air pockets remain in the heat exchanger and pipe work. Firing the boiler while an air pocket exists in the heat exchanger could damage it.

- c. Turn the gas service cock to ON.
- d. Turn on the electrical supply, setting any external controls to call for heat.
- e. Using the "+" button on the left hand side of the control panel, set the CH temperature to 80C. After a few seconds the display will revert to show the actual

flow temperature of the boiler. Also press the “Summer” button until the green light above this button is extinguished. Once a heating demand is received the fan will start and the boiler will enter the pre-purge phase. During this phase the boiler pump will also start to run. After 5 Seconds the boiler will start to spark and will energise the gas valve. When ignition is achieved a dot will appear in the lower right corner of the digital display to show the boiler is alight.

If an air lock or other blockage is present the unit may go to overheat or water pressure lockout. This will be indicated by the display flashing error code “E03” or “E37”. If this occurs clear the blockage and/or purge the air from the system, and press the “Reset” button to restart the ignition sequence.

If ignition does not occur, the boiler, at approximately 20 second intervals, will make four further attempts to light the burner.

If after five automatic attempts the boiler still fails to ignite, the display will show the code “E 01” indicating no ignition.

If, after five manual attempts (to allow for purging of any air in the gas line), the boiler still fails to ignite (indicated by the red (lockout) lamp) refer to Section 6.3 - Fault Modes.

- f. **Check for gas soundness between the gas service cock and connection to the burner manifold.**

5.6 HOT FLUSHING

- a. Allow the system to heat up, checking for water soundness.
- b. Follow instructions provided with the cleaning agent, i.e. Fernox Supafloc, or equivalent. Turn off the boiler and flush the water system while still hot. Thoroughly flush the system with clear water.
- c. Refill the system using a quality water treatment such as Fernox MB1 or Sentinel X100. For sealed systems, fill to the required Initial Design Pressure.

5.7 COMBUSTION TESTING - MANDATORY CHECK

Competence to carry out the check of combustion performance

PLEASE NOTE: BS 6798:2009 Specification for installation and maintenance of gas fired boilers of rated input not exceeding 70kW net advises that:

- The person carrying out a combustion measurement should have been assessed as competent in the use of a flue gas analyser and the interpretation of the results;
- The flue gas analyser used should be one meeting the requirements of BS7927 or BS-EN50379-3 and be calibrated in accordance with the analyser manufacturers' requirements, and
- Competence can be demonstrated by satisfactory completion of the CPA1 ACS assessment which covers the use of electronic portable combustion gas analysers in accordance with BS 7967, Parts 1 to 4.

Although the gas pressure is preset at the factory it is required to assure proper combustion by measuring gas input and the level of carbon dioxide, or oxygen and carbon monoxide, in the flue outlet from the boiler. Over firing or under firing the burner will reduce the longevity of the appliance and may result in excessive carbon monoxide levels. Carbon dioxide and carbon monoxide are colourless, odourless gases produced by all combustion processes. When the Keston condensing boiler is operating properly, carbon dioxide (CO₂) levels will be between 8.6 & 9% (low rate) and 9.1 & 9.5% (high rate) and carbon oxide (CO) levels will be between 5 to 20 ppm (low rate) and 50 to 150 ppm (high rate) for natural gas. For LP gas, carbon dioxide (CO₂) levels will be between 9.6 & 10% (low rate) and 10.4 & 10.8% (high rate) and the carbon monoxide will be between 5 & 20 ppm (low rate) and 50 & 150 ppm.

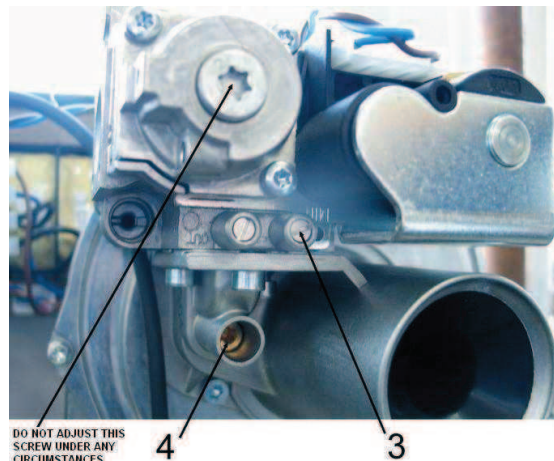
In any event, the CO₂ level at low rate must ALWAYS be less than CO₂ levels at high rate. To measure CO₂ levels in the Keston boiler remove the 1/8" plug from the flue outlet pipe spigot (Figure 6.7.4 item 7). Insert the probe of a calibrated combustion analysis meter and sample the gases as instructed in the test equipment's instructions.

When firing the boiler for the first time since installation, the CO level at high rate may be between 100-220 ppm and between 50-80 ppm at low rate. This is due to compounds

used during manufacture curing within the combustion chamber. On boilers which have been fired for more than one hour since installation, the CO levels should not exceed 150 ppm at high rate and 50 ppm at low rate. If CO levels above these values are experienced, the combustion chamber and flue system should be investigated.

The C36 Combi is factory set for combustion and should need no adjustment. However, in the event adjustment is required.

Check combustion errors are not a result of incorrectly installed flue and/or air system, terminal location or damage or debris on the burner. If all these factors are found to be in order precede as follows:



- 1) Set any controls to call for heat.
- 2) Press and hold the “Summer” button until the display changes to blinking “t99” then release the “Summer” button.
- 3) Measure the CO₂ reading in the flue gases and adjust, if necessary, the adjustment screw (pos 4) to produce a CO₂ reading of 9.1% to 9.5% with a corresponding CO level of 50 to 150 ppm for natural gas and 10.4 to 10.8% with a corresponding CO level of 50 to 150 ppm for LPG. NORMAL ADJUSTMENT, IF REQUIRED, SHOULD NEED NO MORE THAN HALF OF ONE ROTATION OF THE ADJUSTMENT SCREW (pos. 4). ADJUSTMENTS, IF MADE, SHOULD BE IN STEPS OF NO MORE THAN 1/8 OF A TURN. YOU MUST WAIT 1 MINUTE AFTER EACH ADJUSTMENT TO ALLOW THE SETTING TO STABILISE BEFORE TAKING A READING
- 4) Using the “-” button for CH temperature control, adjust the display to “t00”
- 5) Measure the CO₂ reading in the flue gases. The CO₂ reading must be 8.6% to 9% with a corresponding CO level of 5 to 20 ppm for natural gas and 9.6% to 10% with a corresponding CO level of 5 to 20 ppm for LPG. THE CO₂ LEVEL AT LOW RATE MUST ALWAYS BE LESS THAN THE CO₂ LEVEL AT HIGH RATE. ADJUSTMENTS, IF MADE, SHOULD BE IN STEPS OF NO MORE THAN 1/8 OF A TURN. YOU MUST WAIT 1 MINUTE AFTER EACH ADJUSTMENT TO ALLOW THE SETTING TO STABILISE BEFORE TAKING A READING
- 6) Using the “+” button for CH temperature control, adjust the display back to “t99” and check the CO₂ level is in the range indicated at point 3)

IN THE EVENT THAT AN ACCEPTABLE COMBUSTION LEVEL CANNOT BE OBTAINED AT EITHER HIGH OR LOW RATE, CONTACT KESTON HEATING TECHNICAL SUPPORT ON 0208 462 0262. DO NOT LEAVE THE APPLIANCE RUNNING UNLESS ACCEPTABLE COMBUSTION LEVELS ARE ACHIEVED.

5.8 CHECKING THE GAS PRESSURE

NB: It is advisable to carry out this test with the user control knob turned to maximum and the system water cold to ensure the boiler is running at maximum rate.

The gas setting is factory adjusted to within the required range and should not need adjustment. If the reading is incorrect then check such factors as soundness of the air and flue pipe joints and the gas inlet pressure (pos. 3) (minimum 18 mbar required for natural gas, minimum 31 mbar required for LP gas).

If all joints are sound and the gas inlet pressure is satisfactory check the gas input by timing the gas meter as detail in Section 5.9 Timing The Gas Meter. If the gas input cannot be measured then it's compulsory to measure the combustion quality as detail in Section 5.7 Combustion Testing.

5.9 TIMING THE GAS METER

Set the boiler DHW temperature to 65C and open two hot taps in the property fully. With no other appliances using gas, time the gas meter to be certain that the unit is running at the proper gas input. Determine the cubic feet of gas passing through the meter and determine the input in Btu per hour. Input must be within plus or minus 5% of the rated input.

Time, in seconds, the time taken to pass 2 cubic feet of gas through the meter (i.e. one revolution of a 2 cu ft dial) or 0.1 cubic metres if the meter is of the new metric digital type.

Model	Time for 2 cu ft	Time for 0.1 cu m
C36 Combi (natural gas)	54	95
C36P Combi (LPG)	141	249

If the meter timing is found to be incorrect when the boiler is firing at maximum rate contact **KESTON Heating** for further guidance.

5.10 HANDING OVER TO THE USER

It is important to fully explain the following:

- a. Procedure to light and turn off the boiler, including isolation of the electrical supply if necessary.
- b. The function of the lockout feature must be explained :
If the display shows "E 01" this means that the boiler has failed to light. Press the "Reset" button and wait.
 - i) If lockout recurs immediately then the gas supply should be checked as ON, otherwise consult a Service Engineer.
 - ii) If it is not possible to relight, the boiler must be isolated and a Service Engineer called in to rectify the fault.
- c. Advise that a reduction in the water pressure reading on the system pressure gauge, for sealed systems, indicates a leak which should be rectified before further use.
- d. Advise that the appliance should be serviced by a competent person at least once a year.

Complete all sections of the **Chapter 10 Gas Boiler Commissioning Checklist** that are relevant to the appliance installation. The details will be required in the event of any warranty work.

- e. Advise on the frost protection and pump/fan exercise feature.
- f. Advise the user that a plume of water vapour (steam) from the flue terminal is normal and that there is no need for concern.

6. FAULT FINDING

6.1 ELECTRICAL CONTROL SEQUENCE

6.1.1 HEATING DEMAND

When the external control(s) are calling for heat, power will be fed to the boiler connection strip at terminal SL (Switched Live) and N (Neutral) and the CH green light will illuminate. If the user control setting of the CH temperature is to a temperature above the actual boiler flow temperature and provided all safety sensors are confirmed as OK the control PCB will initiate the following sequence.

- (1) The fan will start.
- (2) When the fan reaches running speed, the control PCB will start the ignition sequence.
- (3) After a pre-purge period of about 5 seconds, the gas valve will open to allow gas to mix with the air at the suction side of the fan and the ignition spark will occur at the main burner.
- (4) When the burner ignites, the flame is detected by the control PCB through the combined flame sensor/ignitor and the ignition spark is stopped. A dot is illuminate in the lower right corner of the temperature display. The boiler is now in its normal run condition.
- (5) The boiler will automatically and continuously adjust its power output and pump speed to best match the demands of the system at any time.
- (6) The burner will continue to operate until the gas valve interrupts the gas supply. The gas valve will be closed by the control PCB if power is interrupted to the boiler by any external control or the boiler exceeds the requested temperature. If an interruption to the gas supply causes loss of the flame, the control box will pause for approximately 10 seconds and then attempt to re-ignite the unit. If this attempt fails, i.e. due to continued lack of gas supply, the boiler will make four further attempts to ignite at intervals of approximately 10 seconds and will then go to a lockout state (the display shows "E01"). Once the gas supply has been resumed the boiler can be reset by pressing the "Reset" button.
- (7) The boiler can also be shut down by the cabinet temperature sensor, water pressure sensor or flue overheat sensor.

6.1.2 HOT WATER DEMAND

When a hot tap is opened to allow flow of more than 2.5 litres per minute the DHW green light will illuminate. If the user control setting of the DHW temperature is to a temperature above the actual DHW temperature, and provided all safety sensors are confirmed as OK the control PCB will make the following sequence.

- (1) The fan will start (if not already running for a CH demand)
- (2) The diverter valve, integral to the boiler pump, will move to the DHW plate heat exchanger position.
- (3) As steps (2) to (7) above.

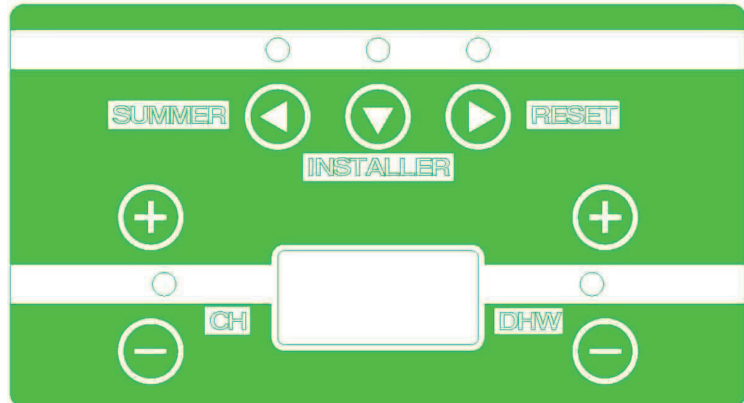
Any failure of the boiler to sequence in the above manner should be investigated using the following trouble shooting flow diagram.

Before attempting any electrical fault finding, always carry out preliminary electrical system checks. On completion of any service/fault finding task which has required the breaking and remaking of electrical connections, the checks, earth continuity, polarity, short circuit, resistance to earth must be repeated.

QUICK REFERENCE

6.2 NORMAL OPERATION

The C36 Combi and C36P Combi boilers feature a user display which shows actual flow temperature at all times when not serving a DHW demand. If a DHW demand is detected the boiler display changes to show the actual DHW temperature. However, the display can also be used to show other information about the operation of the boiler. By pressing the "Installer" button once the display changes to show the number 1. Each time the "Installer" button is pressed the number increases up to a maximum of 7. Having select the required number in this way the display, if not touched for a further 5 seconds the display changes again to show the value relative to that number. The table below shows the values associated with each number



By pressing the "Installer" button once the display changes to show the number 1. Each time the "Installer" button is pressed the number increases up to a maximum of 7. Having select the required number in this way the display, if not touched for a further 5 seconds the display changes again to show the value relative to that number. The table below shows the values associated with each number

INSTALLER INFORMATION NUMBERS

Display	Meaning
1	The flame current (in micro amps) detected from the burner (should be <2 when off and >5 when burner on. Low flame current readings suggest poor combustion and may lead to flame lockouts. Check gas supply, air supply and combustion setting.)
2	Actual CH flow temperature (maximum 84C)
3	Actual CH return temperature (maximum 72C) (NB Flow temperatures more than 20C above return temperature may lead to overheat and noise problems. Check the pump performance and the system for blockages)
4	Actual DHW temperature (maximum 69C)
5	System water pressure, in bar. (Maximum 2.5 bar, minimum 0.6 bar. The boiler will shut down if the water pressure drops below 0.5 bar)
6	Software version of boiler (not relevant to normal fault diagnosis)
7	Actual flue temperature (of the flue temperature reaches 80C the boiler will drop to minimum rate until the flue temperature drops to 70C. If the flue temperature reaches 90C the boiler will shutdown.)
8	DHW Flow rate. Divide this number by 6 to read the actual DHW flow rate through the boiler in litres per minute.

You can return to the normal display mode at any time by pressing the "Reset" button once.

During normal operation the green lamps beside the CH +/- buttons and DHW +/- buttons indicate the mode of operation. If the lamp is not lit then no demand for that function (ie CH or DHW) is present. In CH mode a demand is received by a 230V signal to SL or via the Keston Room Control unit. In DHW mode a demand is received by drawing >2.5 litres per second from a hot tap.

If the lamp is lit the boiler is on, or is starting up, to serve the demand for that function. If the lamp is flashing the demand is still present but the burner is off because the unit exceeded the desired temperature and the forced anti-cycle (in CH mode) delay has not elapsed.

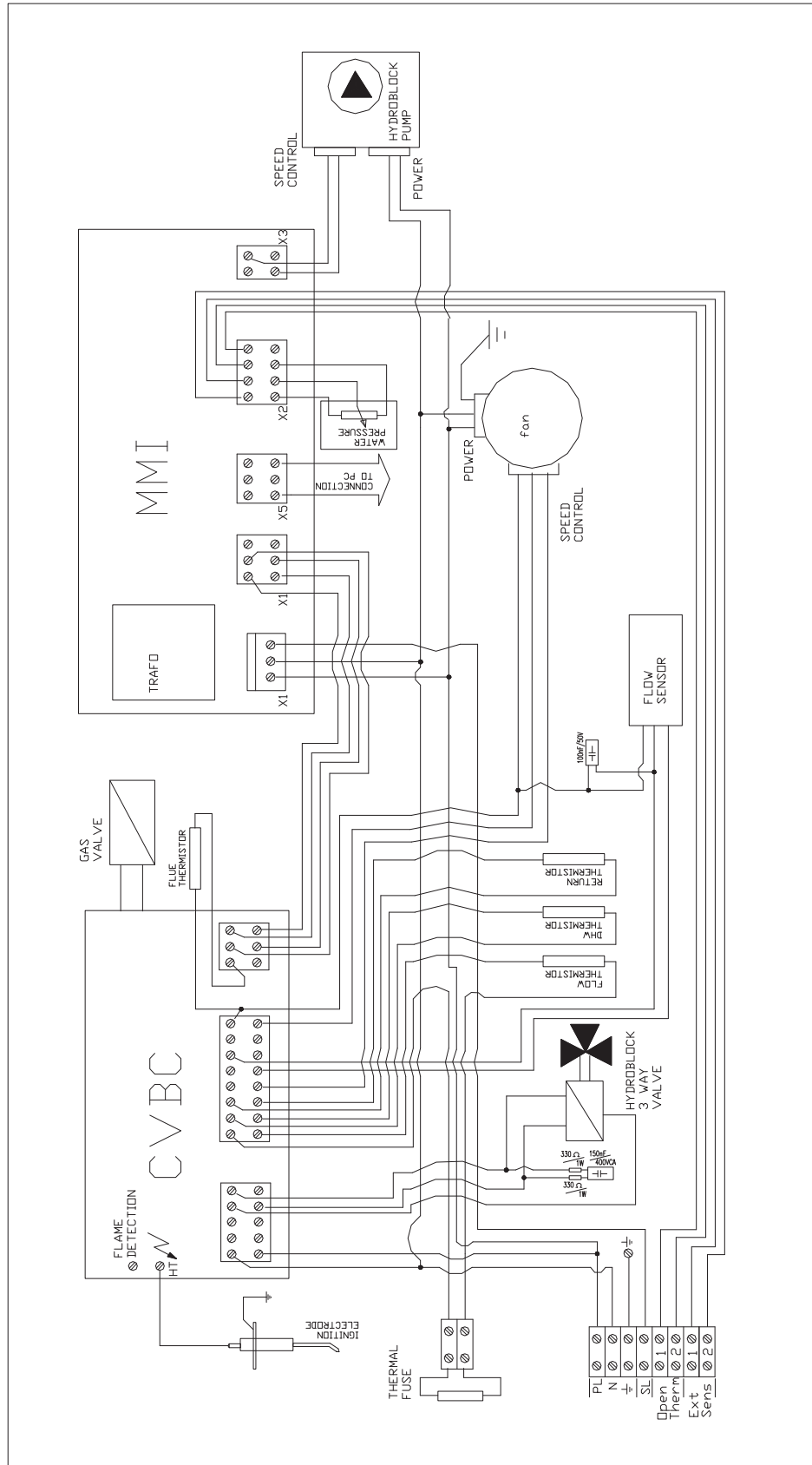
6.3 FAULT MODES

If a situation is detected which the boiler considers may cause damage to the appliance the boiler will enter a lockout mode and stop functioning. After clearing the problem the user must also press the "Reset" button once to resume boiler operation. TURNING THE POWER ON THEN OFF WILL NOT CLEAR A LOCKOUT SITUATION

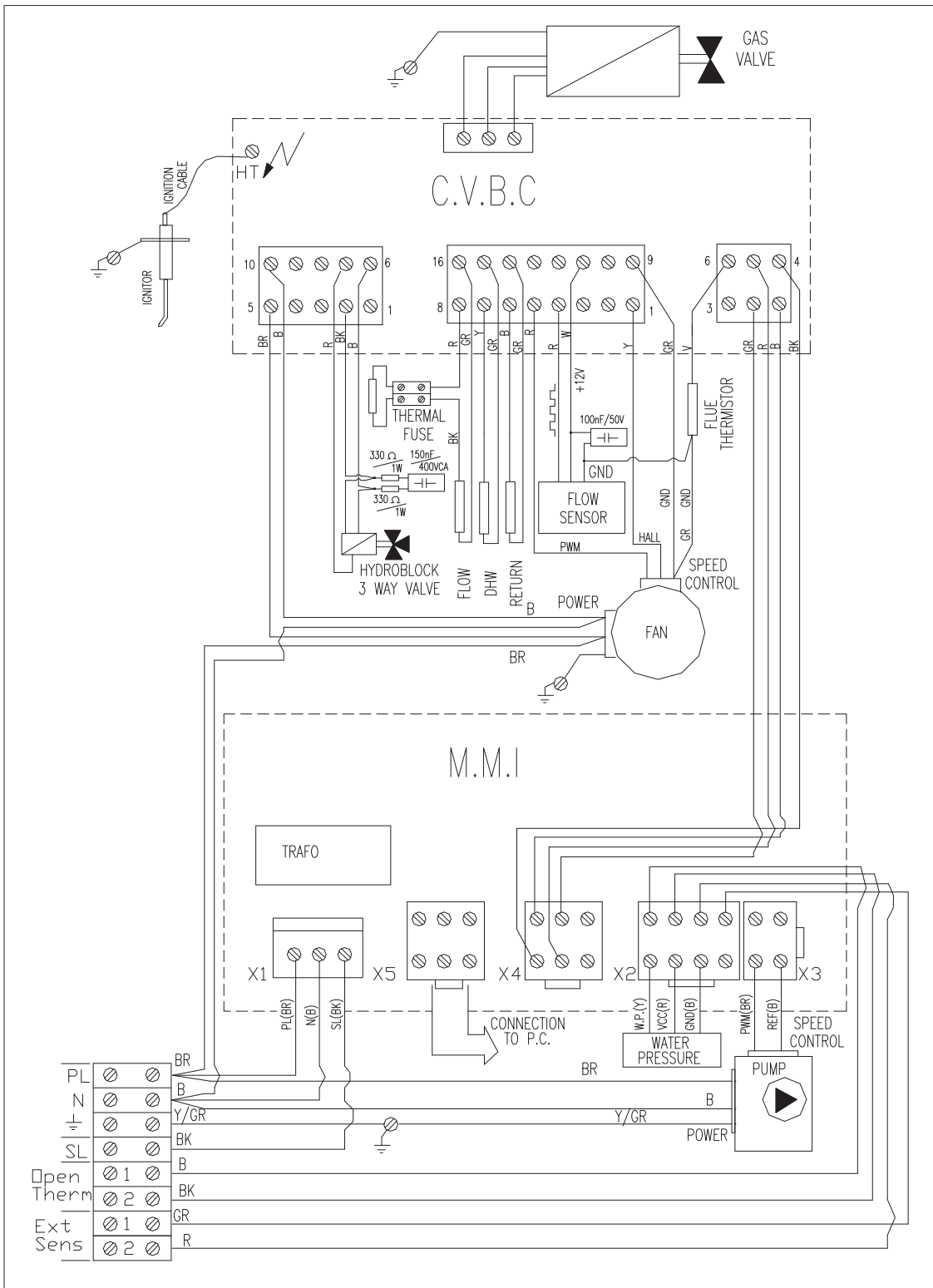
ERROR CODES

Display	Description of fault
E01	Ignition failure - the boiler has attempted to light five times and not succeeded - check gas supply, air supply, flue, ignitor condition and spark gap.
E02	False flame - the unit is detecting a flame BEFORE ignition. Check gas valve closure, power supply polarity and voltage and earth connection.
E03	Boiler overheat - check system for blockage, by-pass provision and pump operation
E05	Fan failure - boiler cannot detect fan rotation. Check fan operation and BOTH connectors onto fan.
E07	Flue overheat - check combustion and flue temperature vs. return temperature (Installer numbers 7 and 3 above). The flue temperature should be no more than 10C above return temperature. Possible heat exchanger fault
E08	Flame circuit error - possible control box fault..
E09	Valve drive error - possible gas valve or control box fault.
E10	Control box errors - possible faulty control box.
E11	The automatic test for calibration of flow and return sensors has failed. Check both flow and return sensors are located on the correct pipes and are producing the correct readings.
E12 to E22	Control box errors - possible faulty control box.
E23	Water filling error - check water pressure sensor.
E24	Water pressure lost 4 times in 24 hours - possible leak, check system and boiler.
E25	Control box errors - possible faulty control box.
E26	Flame signal lost 5 times in 4 minutes - The flame is unstable, check combustion, gas supply, air supply and flue.
E30	Flow sensor short circuit - check connections to flow sensor
E31	Flow sensor open circuit - check connections to flow sensor are in place
E32	DHW sensor short circuit - check connections to DHW sensor
E33	DHW sensor open circuit - check connections to DHW sensor are in place
E34	Mains supply voltage < 180V - Check mains voltage system in dwelling
E35	Mains supply frequency incorrect - Check mains voltage system in dwelling
E37	Water pressure error - check system pressure and pressure sensor
E38	Reset key fault - replace fascia PCB
E40	Water pressure too high - check expansion vessel charge and operation
E41	Communication error between fascia and control box - check cables
E43	Return sensor short circuit - check connections to return sensor
E44	Return sensor open circuit - check connections to return sensor are in place
E45	Flue sensor short circuit - check connections to flue sensor
E46	Flue sensor open circuit - check connections to flue sensor are in place
E99	As E41

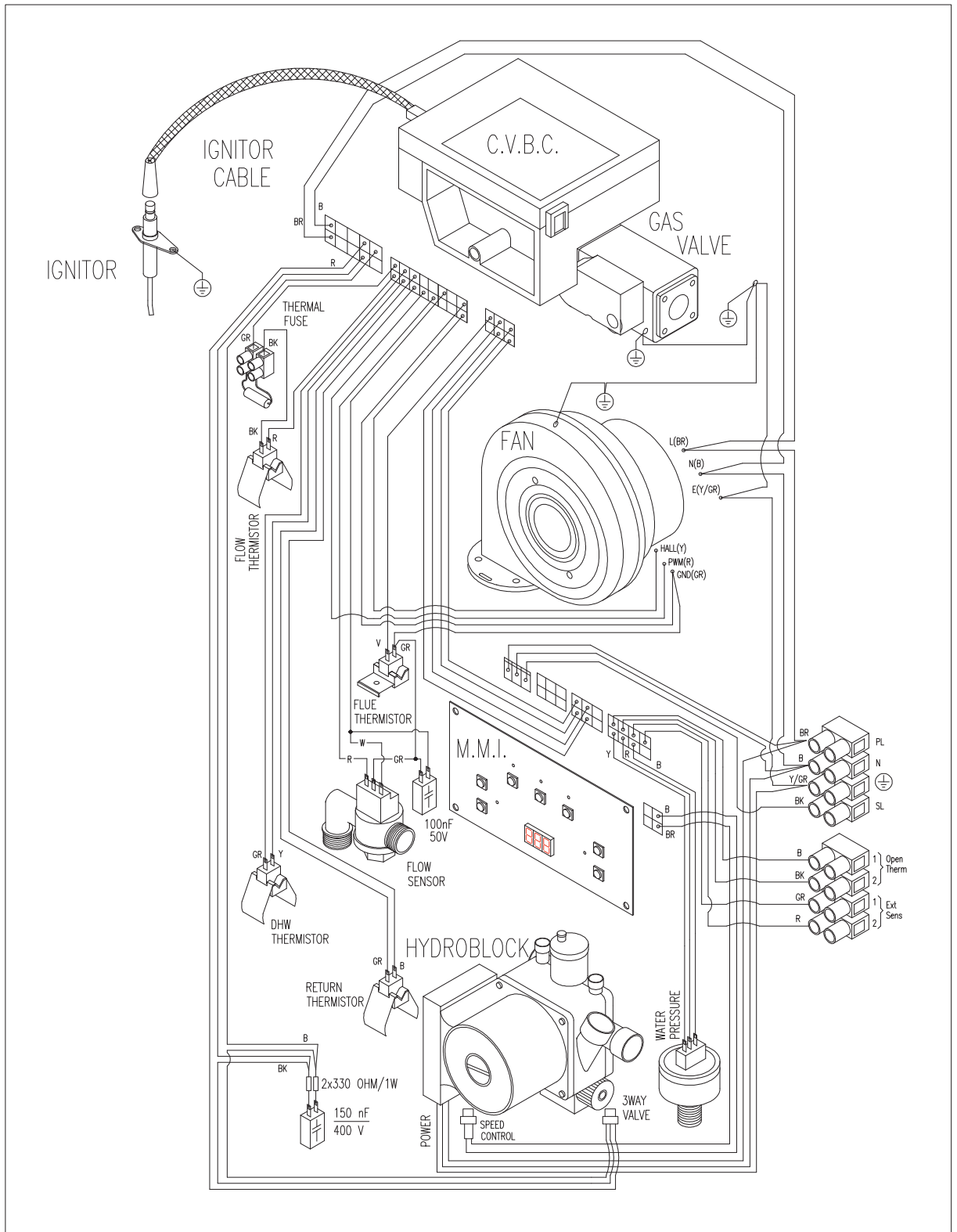
6.4 FUNCTIONAL FLOW WIRING DIAGRAM



6.5 ELECTRICAL WIRING DIAGRAM

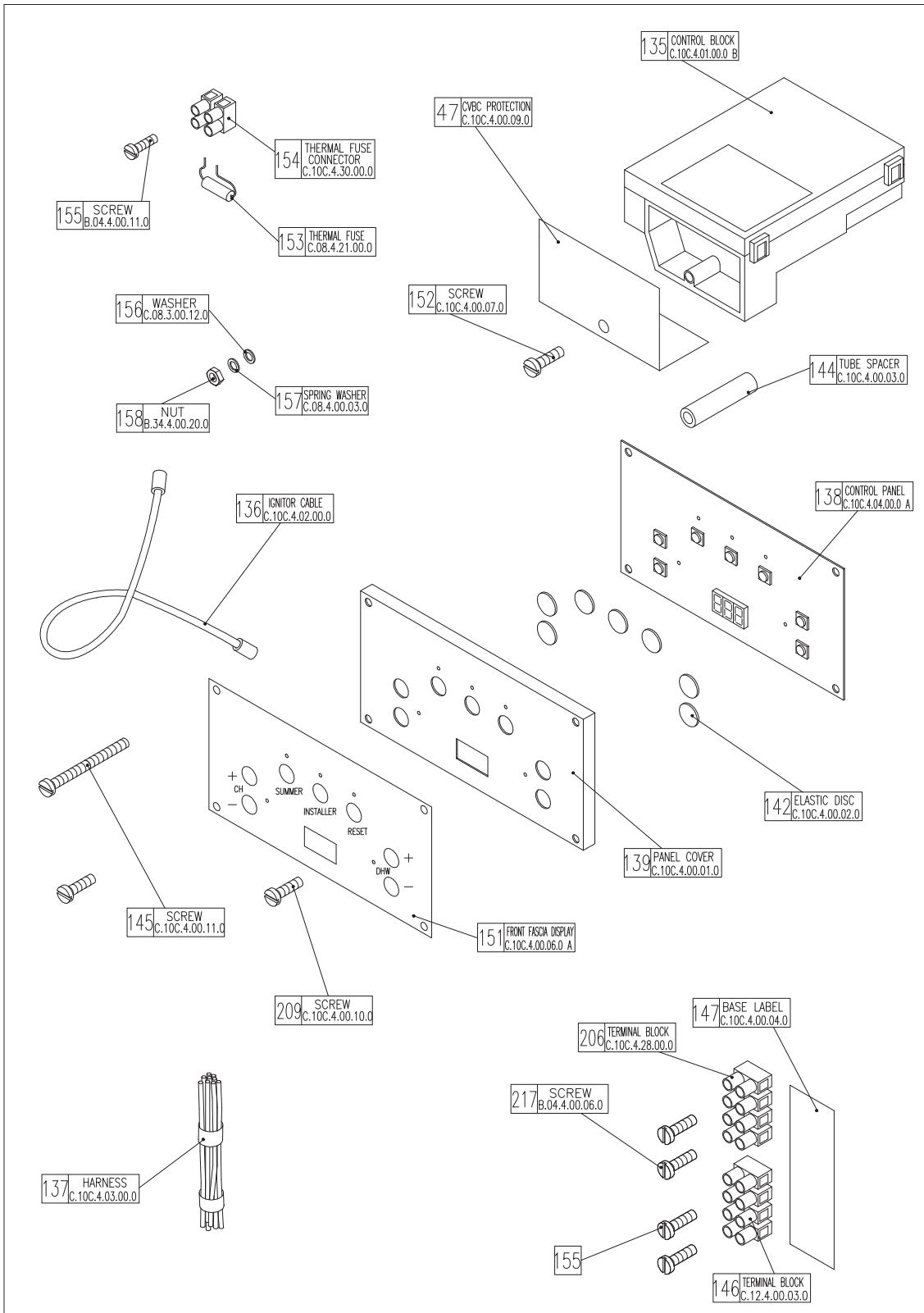


6.6 ILLUSTRATED WIRING DIAGRAM

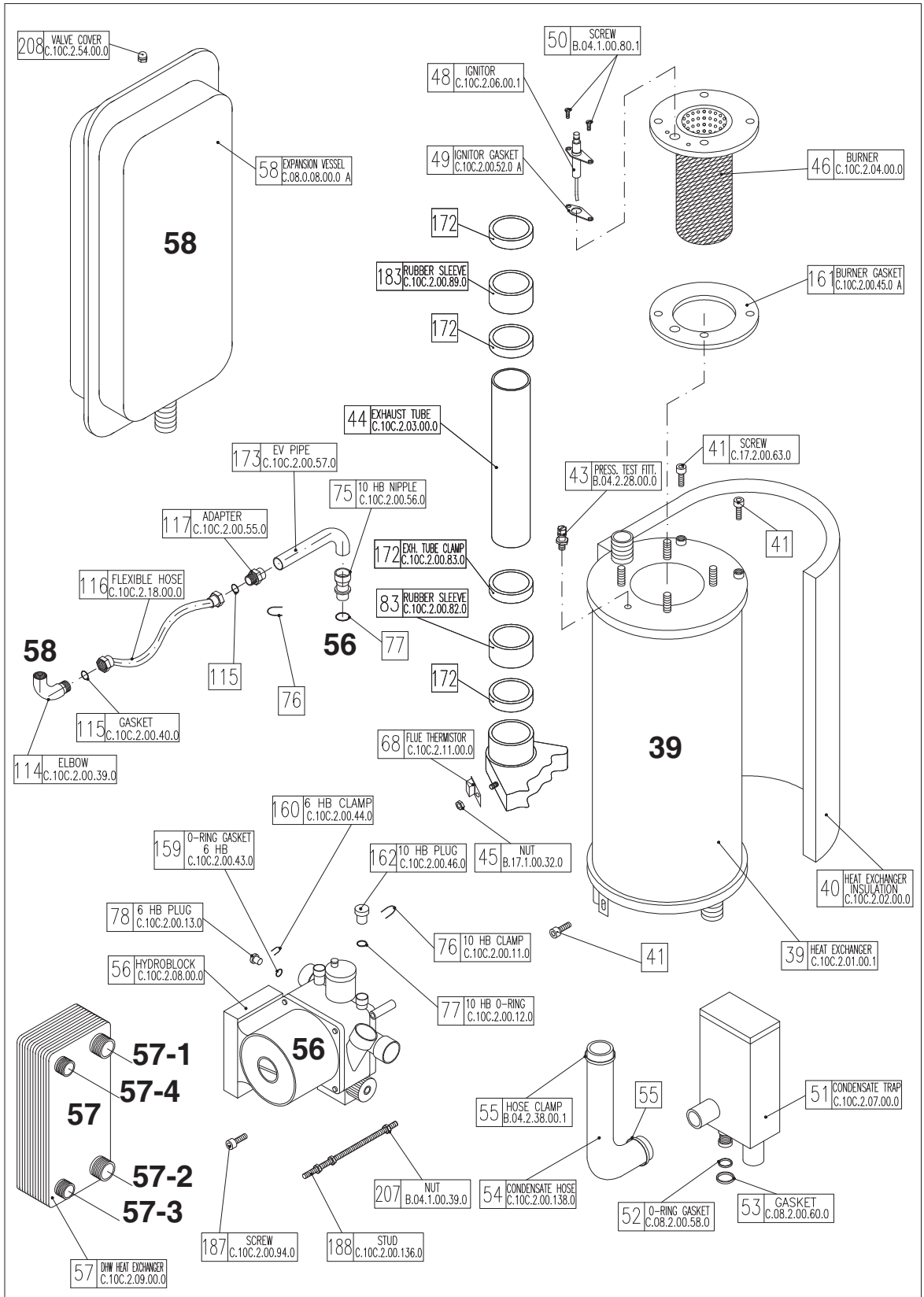


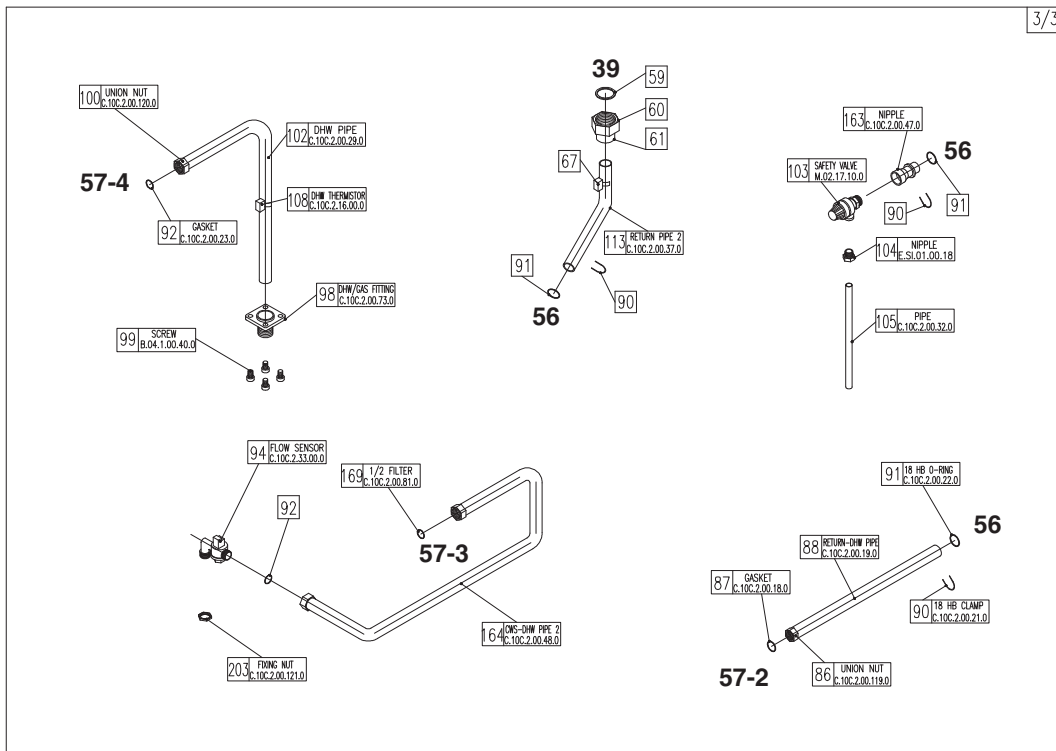
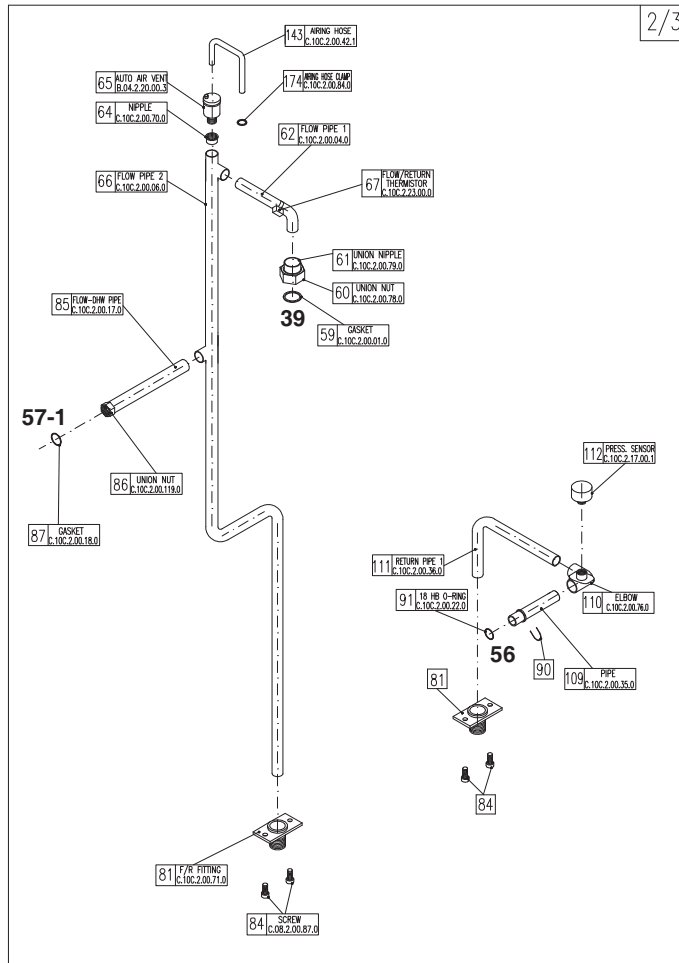
6.7 Exploded Assembly Diagrams

6.7.1 Boiler Controls Assembly

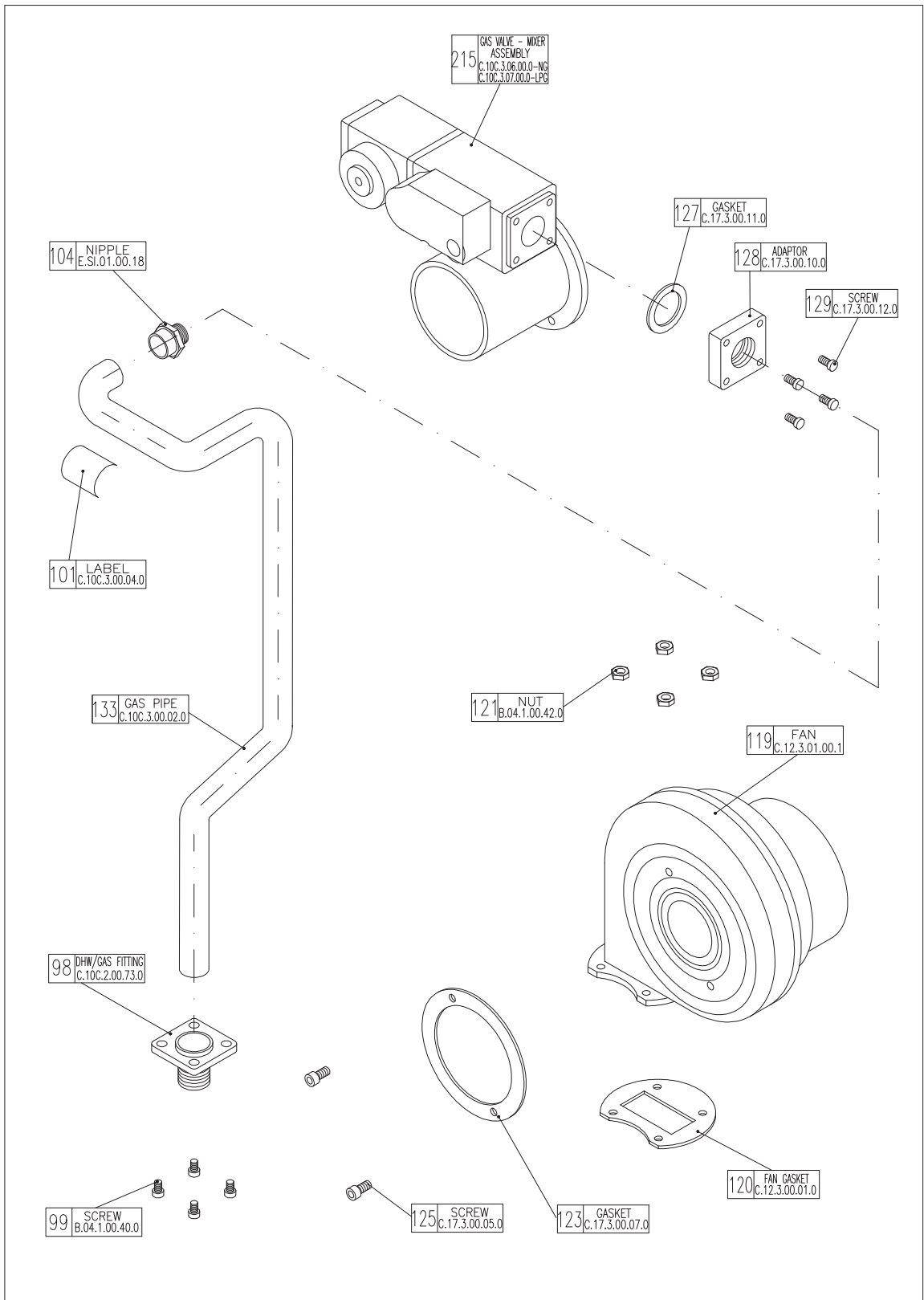


6.7.2 Waterway, Condensate & Flue Assembly

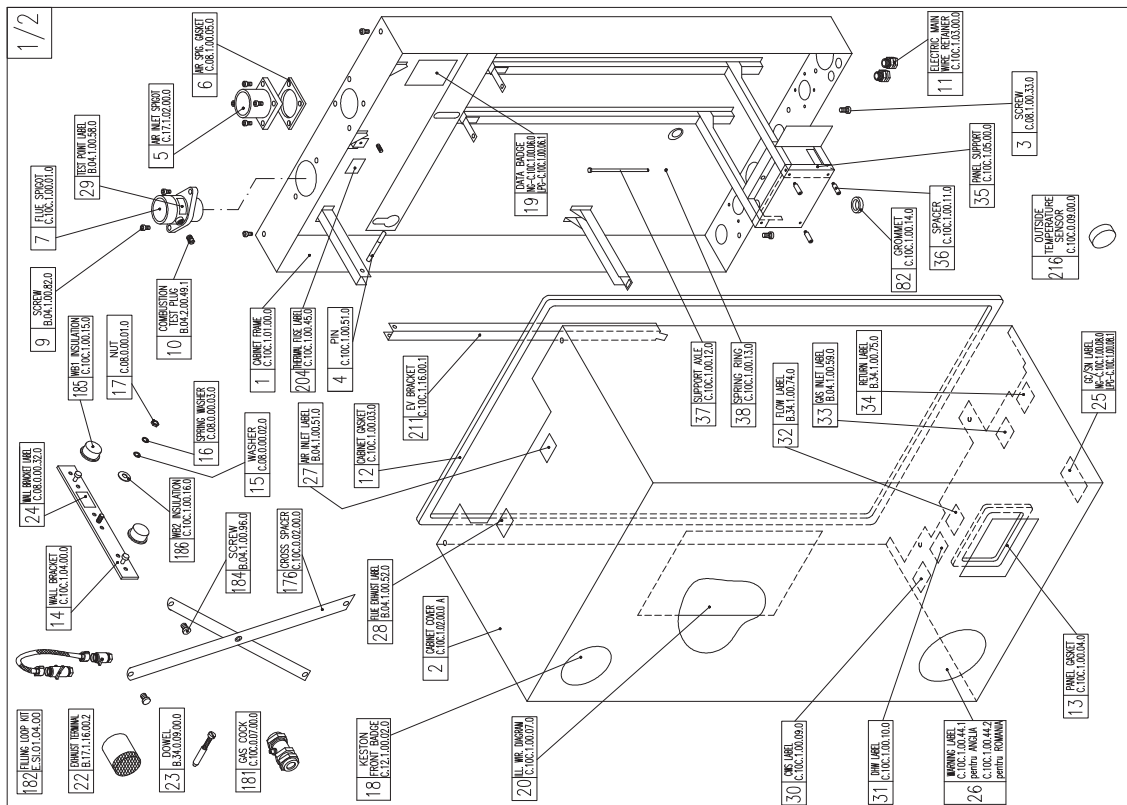
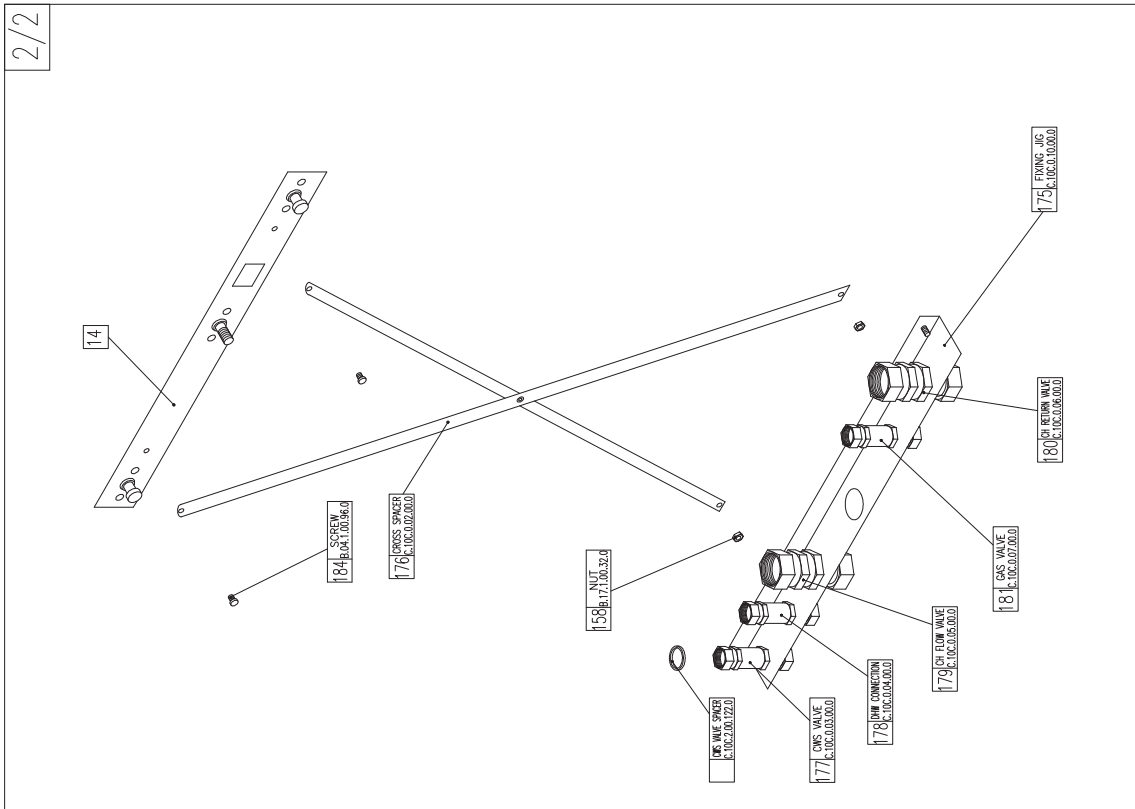




6.7.3 Air - Gas Assembly



6.7.4 Casing Assembly



6.7.5 Exploded Diagrams Parts Reference List

Boiler Controls Assembly (Fig. 6.7.1)

GC Number	Code	Description
	135	Main Control Box (C.10C.4.01.00.0 B)
	138	Control Panel (C.10C.4.04.00.0 A)
	146	Terminal Block (C.12.4.00.03.0)
	206	Terminal Block (C.10C.4.28.00.0)
E72-401	153	Thermal Fuse (C.08.4.21.00.0)
	136	Ignitor Cable (C.10C.4.02.00.0)

Waterway, Condensate & Flue Assembly (Fig. 6.7.2)

GC Number	Code	Description
	39	Heat Exchanger (C.10C.2.01.00.1)
	57	DHW Heat Exchanger (C.10C.2.09.00.0)
	58	Expansion Vessel (C.08.0.08.00.0 A)
	46	Burner (C.10C.2.04.00.0)
	161	Burner Head Gasket (C.10C.2.00.45.0 A)
	49	Ignitor Gasket (C.10C.2.00.52.0 A)
	48	Spark Electrode (C.10C.2.06.00.1)
	51	Condensate Trap (C.10C.2.07.00.0)
	67	Flow/Return Sensor (C.10C.2.23.00.0)
	68	Flue Sensor (C.10C.2.11.00.0)
	108	DHW Sensor (C.10C.2.16.00.0)
	112	Pressure Sensor (C.10C.2.17.00.1)
	94	Flow Sensor (C.10C.2.33.00.0)
	56	Hydroblock (C.10C.2.08.00.0)

Air - Gas Assembly (Fig. 6.7.3)

GC Number	Code	Description
	119	Combustion Blower (C.12.3.01.00.1)
	215	C36 Combi Gas Valve - Mixer Air Gas Assembly (C.10C.3.06.00.0)
	215	C36P Combi Gas Valve - Mixer Air Gas Assembly (C.10C.3.07.00.0)

Casing Assembly (Fig. 6.7.4)

GC Number	Code	Description
	2	Cabinet Cover (C.10C.1.02.00.0 A)
	19	Databadge - NG (C.10C.1.00.06.0)
	19	Databadge - LPG (C.10C.1.00.06.1)
E73-355	10	Combustion Test Plug (B.04.2.00.49.1)

7. ROUTINE (ANNUAL) SERVICING

To ensure the continued safe and efficient operation of the boiler it is necessary to carry out routine servicing at regular intervals. Servicing must be carried out at least once per year. The frequency of the servicing will depend upon the particular operating conditions.

It is the law that any service work must be carried out by competent qualified persons.

NB: When servicing ensure that the gas and electrical supplies to the boiler are isolated before any work starts.

Hazardous materials are not used in the construction of the C36 and C36P Combi. However, due care should be taken when handling boiler components.

All joints should be checked for soundness after servicing and before firing the appliance.

After servicing complete the **Gas Boiler Commissioning Checklist - Service Interval Record (Chapter 10)**. These forms (Chapter 10) should be kept in a safe place for the life of the boiler.

PLEASE NOTE: During routine servicing, and after any maintenance or change of part of the combustion circuit, the following must be checked:

- **The integrity of the flue systems and flue joints, as described in Section 4.4**
- **The integrity of the boiler combustion circuit and the relevant seals**
- **The operational (working) gas inlet pressure at maximum rate, as described in Section 5.8**
- **The gas rate, as described in Section 5.9**
- **The combustion performance, as described in Section 5.7**

7.1 Pre-Service Checks

It is recommended that an inspection should be carried out prior to shutting down the unit for servicing. Remove the front cover by removing the screws retaining the top and bottom. The following items should be observed:

- a. Smooth starting and running of the blower.
- b. Smooth lighting of the burner.
- c. Check for leakage of gas, gas/air or combustion products.
- d. Check for condensate leaks.
- e. Check for water soundness.
- f. Inspect the flue vent and air intake pipework. Joints must be sound and all pipework well bracketed.
- g. Check that there is a steady fall back to the boiler from the flue pipe to allow condensate to run back into the boiler.
- h. With the boiler operating at a low return temperature (i.e. less than 50°C) check that the condensate flows freely from the condensate line.

7.2 Recommended Routine Service

- a. Remove the outer case by first removing the securing screws at the top and bottom of the appliance.
- b. Remove the burner head (Section 8.6) and inspect the burner appearance. Black markings or other discoloration's on the gauze indicate too much gas or a lack of air possibly due to a blocked air inlet. Any breakage's or damage to the burner mesh indicate the burner must be replaced.
- c. If necessary clean the burner with a mild household detergent and rinse under a hot running tap.

- d. If necessary, from visual inspection, clean the heat exchanger using a suitable stiff plastic bristle brush, vacuum out any large particles and flush the heat exchanger with fresh water until the water flowing from the condensate drain is clear.
- e. Remove the condensate trap (Section 8.8) and clean by flushing through with clean running water.
- f. Check the electrode assembly mounted on the heat exchanger. If the point is damaged or burnt replace it.
Check that the spark gap measures 4 mm.
- g. Replace the burner head, renewing the gasket, and reconnect the gas/air supply. Ensure the flanged gas/air supply joint is air tight.
- h. Turn on the electrical supply to the boiler and allow the boiler to reach operating temperature levels.
- i. Remove the combustion test point plug from the flue pipe. This is situated on the flue spigot out of the cabinet.
- j. **Carry the full procedure detailed in section 5.7 COMBUSTION TESTING - MANDATORY**
- k. Replace the combustion test point plug.
- l. Recheck the burner pressure by following the procedure detailed in Section 4.7.
- m. Check all joints for soundness up to the gas burner.
- n. Complete the **Gas Boiler Commissioning Checklist - Service Interval Record (Chapter 10)**.

8. REPLACEMENT OF PARTS

CONTENTS

- 8.0 GENERAL
- 8.1 PRECAUTIONS
- 8.2 ACCESS
- 8.3 REPLACEMENT PROCEDURE
- 8.4 ELECTRICAL COMPONENTS
 - 8.4.1 CONTROL PANEL
 - 8.4.2 BOILER FLOW & RETURN THERMISTORS
 - 8.4.3 CABINET TEMPERATURE SENSOR
 - 8.4.4 FLUE THERMISTOR
 - 8.4.5 PRESSURE SENSOR
 - 8.4.6 MAIN CONTROL BOX
 - 8.4.7 COMBUSTION BLOWER
 - 8.4.8 GAS CONTROL VALVE / VENTURI ASSEMBLY
 - 8.4.9 DHW THERMISTOR
 - 8.4.10 FLOW SENSOR
- 8.5 SPARK IGNITION/FLAME DETECTION ELECTRODE
- 8.6 BURNER
- 8.7 HEAT EXCHANGER
- 8.8 CONDENSATE TRAP
- 8.9 HYDROBLOCK
- 8.10 DHW HEAT EXCHANGER
- 8.11 EXPANSION VESSEL

8.0 GENERAL

The following must always be carried out by a competent/qualified person.

8.1 PRECAUTIONS

- i) Always switch off the mains electricity supply and disconnect the plug at the isolating switch and socket. (If a switch only is used then remove the fuse.)
- ii) Gain access to the appliance (Section 8.2) and turn off the gas supply at the appliance service cock.

WARNING : Parts of the boiler internal wiring will remain live even after setting the User Controls to Standby. Shut off the power supply at the isolating switch before working on the appliance.

8.2 ACCESS

- i) Remove the cabinet by removing the screws to the top and bottom of the cabinet.

8.3 REPLACEMENT PROCEDURE

- i) Always replace in the reverse order unless otherwise stated.
- ii) Electrical connections must be remade in accordance with the Electrical Wiring Diagram (Section 6.5).
- iii) Test the soundness of any gas carrying or water carrying joint broken during the service procedures.

8.4 ELECTRICAL COMPONENTS

8.4.1 Control Panel (Fig. 6.7.1 item 138)

- i) Isolate the appliance (Section 8.1)
- ii) Gain access (Section 8.2)
- iii) Remove the user control cover by removing the four retaining screws (Fig 6.7.1, item 99 and item 145).
- iv) Disconnect the Control Panel by unplugging the cable connectors.
- v) Reassemble (Section 8.3)
- vi) Check for correct operation of the Control Panel.

8.4.2 Boiler Flow and Return Thermistors (Fig. 6.7.2 - 2/3 item 67)

- i) Isolate the appliance (Section 8.1)
- ii) Gain access (Section 8.2)
- iii) Remove the push on connectors from the thermistor taking note of the correct positions.
- iv) Unclip the thermistor from the pipe.
- v) Reassemble (Section 8.3)

NB: When fitting the new thermistor it is an advantage to smear a thin film of heat sink compound between the thermistor and pipe. This, combined with fitting the new thermistor tightly to the pipe, ensures a good contact.

8.4.3 Cabinet Temperature Sensor (Fig 6.7.1 item 153)

- i) Isolate the appliance (Section 8.1)
- ii) Gain access (Section 8.2)
- iii) Remove the cabinet temperature sensor from the connector block by slackening the retaining screws.
- iv) Reassemble (Section 8.3)

8.4.4 Flue Thermistor (Fig. 6.7.2 - 1/3 item 68)

- i) Isolate the appliance (Section 8.1)
- ii) Gain access (Section 8.2)
- iii) Remove the push on connectors from the thermistor taking note of the correct positions.
- iv) Unscrew the retaining nut, and remove the thermistor.
- v) Reassemble (Section 8.3)

NB: When fitting the new thermistor it is an advantage to smear a thin film of heat sink compound between the thermistor and plate. This, combined with fitting the new thermistor tightly to the plate, ensures a good contact.

8.4.5 Pressure Sensor (Fig. 6.7.2 - 2/3 item 112)

- i) Isolate the appliance (Section 8.1)
 - ii) Shut off the water supply to the appliance.
 - iii) Gain access (Section 8.2)
 - iv) Drain the system to below the level of the appliance using the drain off tap (fig. 6.7.4 - 2/2 item 180) at the base of the return pipe from the heat exchanger.
 - v) Remove the push on connectors from the pressure sensor taking note of the correct positions.
 - vi) Unscrew the pressure sensor.
 - vii) Reassemble (Section 8.3).
- NB: Use a little jointing compound or PTFE tape on the thread.
- viii) Refill the system (See Section 5 - Commissioning).

8.4.6 Main Control Box (Fig. 6.7.1 item 135)

- i) Isolate the appliance (Section 8.1)
- ii) Gain access (Section 8.2)
- iii) Pull off the multi-pin connectors and HT lead away from the board.
- iv) Remove the retaining screw (fig. 6.7.1 item 152) securing the control block to the gas valve (fig. 6.7.3 item 126).
- v) Remove the control box.
- vi) Reassemble (Section 8.3)

8.4.7 Combustion Blower (Fig. 6.7.3 item 119)

- i) Isolate the appliance (Section 8.1)
- ii) Gain access (Section 8.2)
- iii) Disconnect the two connector blocks from the combustion blower.
- iv) Unscrew the bolts securing the venturi (fig 6.7.3 item 125) to the inlet port of the combustion blower.
- v) Remove the four nuts securing the combustion blower (fig. 6.7.3 item 121) outlet flange to the burner and remove the combustion blower.
- vi) Reassemble (Section 8.3)

NB: When reassembling inspect any gaskets for damage and replace if necessary.

8.4.8 Gas Control Valve /Venturi Assembly (Fig. 6.7.3 item 215)

- i) Isolate the appliance (Section 8.1)
- ii) Gain access (Section 8.2)
- iii) Remove the Main Control Box (Section 8.4.6)
- iv) Remove the push on connector block to the gas valve.
- v) Unscrew the bolts (Fig 6.7.3 item 129) securing the gas inlet pipe to the gas control valve.
- vi) Unscrew the bolts securing the gas valve (Fig 6.7.3 item 125) to the inlet port of the combustion blower.
- vii) Remove the gas valve/venturi assembly as a complete unit.
- viii) Reassemble (Section 8.3)
- ix) Check the gas rate and combustion(See Section 5 - Commissioning)

NB: Always change the gas valve/venturi assembly together. This assembly is factory preset but must be checked using the procedure set out in Section 5.7 (Combustion testing).

8.4.9 DHW Thermistor (Fig. 6.7.2 - 2/3 item 108)

- i) Isolate the appliance (Section 8.1)
- ii) Gain access (Section 8.2)
- iii) Remove the push on connectors from the thermistor taking note of the correct positions.
- iv) Unclip the thermistor from the pipe.
- v) Reassemble (Section 8.3)

NB: When fitting the new thermistor it is an advantage to smear a thin film of heat sink compound between the thermistor and pipe. This, combined with fitting the new thermistor tightly to the pipe, ensures a good contact.

8.4.10 Flow Sensor (Fig. 6.7.2 - 3/3 item 94)

- i) Isolate the appliance (Section 8.1)
- ii) Gain access (Section 8.2)
- iii) Shut off the water supply (CWS) to the DHW heat exchanger (Fig. 6.7.2 - 1/3 item 57).
- iv) Remove the push on connector from the sensor taking note of the correct position.
- v) Disconnect the union nuts (Fig. 6.7.2 - 3/3 item 100 and Fig. 6.7.4 - 2/2 item 177) and the fixing nut (Fig. 6.7.2 - 3/3 item 203) from the sensor.
- vi) Reassemble (Section 8.3)

NB: When reassembling inspect the gaskets for damage and replace if necessary.

8.5 SPARK IGNITION/FLAME DETECTION ELECTRODE (Fig. 6.7.2 - 1/3 item 48)

- i) Isolate the appliance (Section 8.1)
- ii) Gain access (Section 8.2)
- iii) Remove the pull off HT lead to the spark ignition electrode.
- iv) Undo the screws to the spark ignition electrode flange located on the heat exchanger top panel and withdraw the spark ignition electrode.
- v) Reassemble (Section 8.3)

NB: When reassembling inspect the gasket for damage and replace if necessary. With the new spark ignition electrode in place it is essential to ensure the gap between the tip of the electrode and the burner surface is 4 mm. Distances above or below 4 mm will affect ignition performance. If necessary gently bend the electrode taking care not to damage the ceramic insulator.

8.6 BURNER (Fig. 6.7.2 - 1/3 items 46)

- i) Isolate the appliance (Section 8.1)
- ii) Gain access (Section 8.2)

- iii) Remove the combustion blower (Section 8.4.7)
 - iv) Remove the 4 nuts fixing the burner to the top of the heat exchanger.
 - v) Withdraw the burner from the top of the heat exchanger.
 - vi) Reassemble (Section 8.3)
- NB:** When reassembling inspect any gaskets for damage and replace if necessary.

8.7 HEAT EXCHANGER (Fig. 6.7.2 - 1/3 item 39)

- i) Isolate the appliance (Section 8.1)
- ii) Gain access (Section 8.2)
- iii) Shut off the water supply to the appliance.
- iv) Remove the burner (Section 8.6)
- v) Drain the system to below the level of the appliance using the drain off tap (Fig. 6.7.4 - 2/2 item 180) at the base of the boiler return pipe.
- vi) Remove the flue thermistor (Section 8.4.4)
- vii) Remove the spark ignition/flame detection electrode (Section 8.5)
- viii) Remove the flue connection by slackening the retaining strap and pulling the flue off the heat exchanger spigot.
- ix) Remove the condensate trap hose (Fig 6.7.2 - 1/3 item 54) by releasing the retaining clamp and pulling the hose away from the spigot at the base of the heat exchanger.
- x) Disconnect the flow and return pipe union nuts (Fig 6.7.2 - 2/3 & Fig. 6.7.2 - 3/3 item 60) from the heat exchanger.
- xi) Remove the two screws (Fig. 6.7.2 - 1/3 item 41) fixing the heat exchanger to the top and the screw (Fig. 6.7.2 - 1/3 item 42) fixing the heat exchanger to the bottom.
- xii) Remove the heat exchanger
- xiii) Reassemble (Section 8.3)
- xiv) Recommission (Section 5 - Commissioning)

8.8 CONDENSATE TRAP (Fig. 6.7.2 - 1/3 item 51)

- i) Isolate the appliance (Section 8.1)
 - ii) Gain access (Section 8.2)
 - iii) Disconnect the condensate line from the base of the heat exchanger.
 - iv) Disconnect the condensate line from the projection of the condensate trap from the base of the cabinet.
 - v) Withdraw the condensate trap.
 - vi) Mop up any spilled condensate.
 - vii) Reassemble (Section 8.3)
- NB:** When re-fitting the condensate trap pour water onto the condensate hose from the base of the heat exchanger until nearly full. Then reconnect the condensate hose to the base of the heat exchanger.

8.9 HYDROBLOCK PUMP (Fig. 6.7.2 - 1/3 item 56)

- i) Isolate the appliance (Section 8.1)
- ii) Gain Access (section 8.2)
- iii) Isolate the waterways to the boiler using the system isolation valves.
- iv) Drain the system to below the level of the appliance using the drain off tap (Fig. 6.7.4 - 2/2 item 180) at the base of the boiler return pipe.
- v) Undo the screw (Fig. 6.7.1 item 145) to the panel support (Fig. 6.7.4 - 1/2 item 35) and rotate it on the right.
- vi) Disconnect the pump electrical cable from the connections box of the pump head taking note of the correct position.
- vii) Remove the four allen bolts securing the pump head to the hydroblock back body.
- viii) Remove the pump head.
- ix) Reassemble (Section 8.3)

8.10 DHW HEAT EXCHANGER (Fig. 6.7.2 - 1/3 item 57)

- i) Isolate the appliance (Section 8.1)

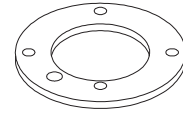
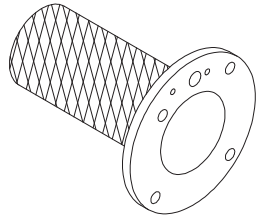
- ii) Gain Access (section 8.2)
- iii) Shut off the water supply (CWS) to the DHW heat exchanger.
- iv) Isolate the waterways to the pump using the system isolation valves.
- v) Drain the system to below the level of the appliance using the drain off tap (Fig. 6.7.4 - 2/2 item 180) at the base of the boiler return pipe.
- vi) Disconnect the two union nuts from the DHW heat exchanger (Fig. 6.7.2 - 3/3 item 86 & 100 and Fig. 6.7.2 - 2/3 item 86).
- vii) Remove the DHW heat exchanger.
- viii) Reassemble (Section 8.3)
NB: When reassembling inspect the gaskets for damage and replace if necessary.

8.11 EXPANSION VESSEL (Fig. 6.7.2 - 1/3 item 58)

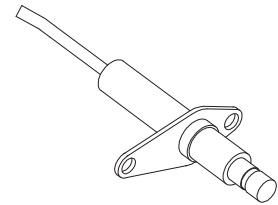
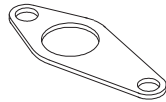
- i) Isolate the appliance (Section 8.1)
- ii) Gain Access (section 8.2)
- iii) Isolate the waterways to the pump using the system isolation valves.
- iv) Drain the system to below the level of the appliance using the drain off tap (Fig. 6.7.4 - 2/2 item 180) at the base of the boiler return pipe.
- v) Disconnect the flexible hose (Fig. 6.7.2 - 1/3 item 116) from the expansion vessel.
- vi) Undo the pin (Fig. 6.7.4 - 1/2 item 4) and the EV bracket (Fig. 6.7.4 - 1/2 item 211) from the cabinet frame.
- vii) Remove the expansion vessel.
- viii) Reassemble (Section 8.3)
NB: When reassembling inspect the gasket for damage and replace if necessary.

9. SHORT SPARE PARTS LIST

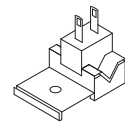
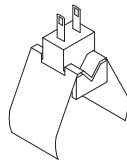
Item	GC No	Part Denomination	Item	GC No	PartDenomination
46		Burner	161		Burner Gasket



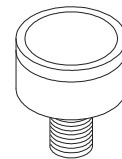
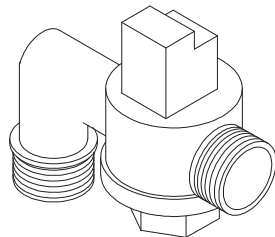
49		Ignitor Gasket	48		Ignitor/Sensor Probe
----	--	----------------	----	--	----------------------



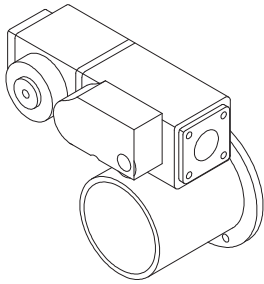
67		Flow/Return Thermistors	68		Flue Thermistor
108		DHW Thermistor			



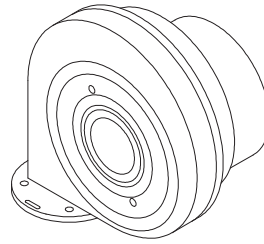
94		Flow Sensor	112		Pressure Sensor
----	--	-------------	-----	--	-----------------



215 C36 Combi Gas Valve - Mixer Assem. 119
C36P Combi Gas Valve - Mixer Assem.



Fan

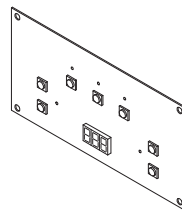
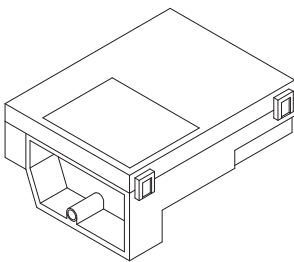


135

Control Box

138

Fascia Panel

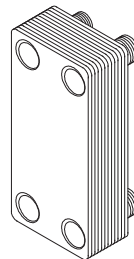
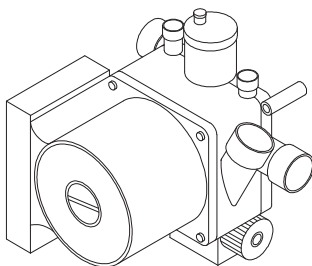


56

Pump Block

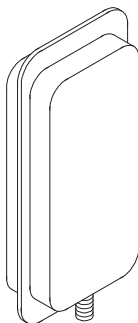
57

DHW Heat Exchanger



58

Expansion Vessel



**SHORT SPARE PARTS LIST FOR THE KESTON
CONDENSING BOILER RANGE**

Item	GC No	Part Denomination
46		Burner
161		Burner Gasket
48		Ignitor
49		Ignitor Gasket
108		DHW Thermistor
67		Flow/Return Thermistor
68		Flue Thermistor
94		Flow Sensor
112		Pressure Sensor
119		Fan
215		Gas Valve - Mixer Air-Gas Assembly (NG-C36 Combi)
215		Gas Valve - Mixer Air-Gas Assembly (LPG-C36P Combi)
138		Control Panel
135		Control Block
57		DHW Heat Exchanger
56		Hydroblock
58		Expansion Vessel

10. GAS BOILER COMMISSIONING CHECKLIST

BENCHMARK No. | | | | | | | |



GAS BOILER COMMISSIONING CHECKLIST

BOILER SERIAL No. _____ NOTIFICATION No. _____

CONTROLS To comply with the Building Regulation, each section must have a tick in one or other of the boxes

TIME & TEMPERATURE CONTROL TO HEATING	ROOM T/STAT & PROGRAMMER/TIMER <input type="checkbox"/>	PROGRAMMABLE ROOMSTAT <input type="checkbox"/>
TIME & TEMPERATURE CONTROL TO HOT WATER	CYLINDER T/STAT & PROGRAMMER/TIMER <input type="checkbox"/>	COMBI BOILER <input type="checkbox"/>
HEATING ZONE VALVES	FITTED <input type="checkbox"/>	NOT REQUIRED <input type="checkbox"/>
HOT WATER ZONE VALVES	FITTED <input type="checkbox"/>	NOT REQUIRED <input type="checkbox"/>
THERMOSTATIC RADIATOR VALVES	FITTED <input type="checkbox"/>	
AUTOMATIC BYPASS TO SYSTEM	FITTED <input type="checkbox"/>	NOT REQUIRED <input type="checkbox"/>

FOR ALL BOILERS CONFIRM THE FOLLOWINGTHE SYSTEM HAS BEEN FLUSHED IN ACCORDANCE WITH THE BOILER MANUFACTURER'S INSTRUCTIONS ?

THE SYSTEM CLEANER USED _____

THE INHIBITOR USED _____

FOR THE CENTRAL HEATING MODE, MEASURE & RECORD

GAS RATE	<input type="text"/>	m ³ /hr	<input type="text"/>	ft ³ /hr
BURNER OPERATING PRESSURE (IF APPLICABLE)	<input type="checkbox"/>	N/A	<input type="text"/>	mbar
CENTRAL HEATING FLOW TEMPERATURE			<input type="text"/>	°C
CENTRAL HEATING RETURN TEMPERATURE			<input type="text"/>	°C

FOR COMBINATION BOILERS ONLYHAS A WATER SCALE REDUCER BEEN FITTED ? YES NO

WHAT TYPE OF SCALE REDUCER HAS BEEN FITTED ? _____

FOR THE DOMESTIC HOT WATER MODE, MEASURE & RECORD

GAS RATE	<input type="text"/>	m ³ /hr	<input type="text"/>	ft ³ /hr
MAXIMUM BURNER OPERATING PRESSURE (IF APPLICABLE)	<input type="checkbox"/>	N/A	<input type="text"/>	mbar
COLD WATER INLET TEMPERATURE			<input type="text"/>	°C
HOT WATER OUTLET TEMPERATURE			<input type="text"/>	°C
WATER FLOW RATE			<input type="text"/>	lts/min

FOR CONDENSING BOILERS ONLY CONFIRM THE FOLLOWINGTHE CONDENSATE DRAIN HAS BEEN INSTALLED IN ACCORDANCE WITH THE MANUFACTURER'S INSTRUCTIONS ? YES **FOR ALL INSTALLATIONS CONFIRM THE FOLLOWING**THE HEATING AND HOT WATER SYSTEM COMPLIES WITH CURRENT BUILDING REGULATIONS THE APPLIANCE AND ASSOCIATED EQUIPMENT HAS BEEN INSTALLED AND COMMISSIONED IN ACCORDANCE WITH THE MANUFACTURER'S INSTRUCTIONS IF REQUIRED BY THE MANUFACTURER, HAVE YOU RECORDED A CO/CO₂ RATIO READING? N/A YES CO/CO₂ RATIO THE OPERATION OF THE APPLIANCE AND SYSTEM CONTROLS HAVE BEEN DEMONSTRATED TO THE CUSTOMER

SERVICE INTERVAL RECORD

It is recommended that your heating system is serviced regularly
and that you complete the appropriate Service Interval Record Below

Service Provider. Before completing the appropriate Service Interval Record below, please ensure you have carried out the service as described in the boiler manufacturer's instructions. Always use the manufacturer's specified spare part when replacing all controls

SERVICE 1 DATE

ENGINEER NAME _____
COMPANY NAME _____
TEL No. _____
GAS SAFE REGISTER ID CARD SERIAL No. _____
COMMENTS _____
SIGNATURE _____

SERVICE 2 DATE

ENGINEER NAME _____
COMPANY NAME _____
TEL No. _____
GAS SAFE REGISTER ID CARD SERIAL No. _____
COMMENTS _____
SIGNATURE _____

SERVICE 3 DATE

ENGINEER NAME _____
COMPANY NAME _____
TEL No. _____
GAS SAFE REGISTER ID CARD SERIAL No. _____
COMMENTS _____
SIGNATURE _____

SERVICE 4 DATE

ENGINEER NAME _____
COMPANY NAME _____
TEL No. _____
GAS SAFE REGISTER ID CARD SERIAL No. _____
COMMENTS _____
SIGNATURE _____

SERVICE 5 DATE

ENGINEER NAME _____
COMPANY NAME _____
TEL No. _____
GAS SAFE REGISTER ID CARD SERIAL No. _____
COMMENTS _____
SIGNATURE _____

SERVICE 6 DATE

ENGINEER NAME _____
COMPANY NAME _____
TEL No. _____
GAS SAFE REGISTER ID CARD SERIAL No. _____
COMMENTS _____
SIGNATURE _____

SERVICE 7 DATE

ENGINEER NAME _____
COMPANY NAME _____
TEL No. _____
GAS SAFE REGISTER ID CARD SERIAL No. _____
COMMENTS _____
SIGNATURE _____

SERVICE 8 DATE

ENGINEER NAME _____
COMPANY NAME _____
TEL No. _____
GAS SAFE REGISTER ID CARD SERIAL No. _____
COMMENTS _____
SIGNATURE _____

SERVICE 9 DATE

ENGINEER NAME _____
COMPANY NAME _____
TEL No. _____
GAS SAFE REGISTER ID CARD SERIAL No. _____
COMMENTS _____
SIGNATURE _____

SERVICE 10 DATE

ENGINEER NAME _____
COMPANY NAME _____
TEL No. _____
GAS SAFE REGISTER ID CARD SERIAL No. _____
COMMENTS _____
SIGNATURE _____

KESTON CONDENSING BOILERS IMPORTANT C36 and C36P Combi INSTALLATION KEY POINTS

- ✓ *Read Installation Manual Carefully*
- ✓ *Ensure that ALL dust particles, filings , plastic chips etc. are removed from the inlet pipe.*
- ✓ *If the installation is a replacement the system must be flushed clean. System should be drained hot, then refilled, then drained again until the water is clean.*
- ✓ *Ensure that there is a proper electrical supply i.e. 230V fused at 3A for the permanent live.*
- ✓ *Take great care with pipe connections to ensure that no damage is done to the internal pipework.*
- ✓ *Ensure that the 22mm condensate pipe is not exposed to freezing conditions.*
- ✓ *Make sure that the exhaust pipe terminates away from windows or vents and is out of reach.*
- ✓ *Make sure that the air inlet and exhaust pipe outlets are at least 200mm apart.*
- ✓ *Check tightness of all connections in the boiler before firing.*
- ✓ *Ensure that the terminals supplied are fitted to both the exhaust and air inlet pipes.*
- ✓ *The system must be free from air before firing.*
- ✓ *If TRV's are installed on radiators ensure that a bypass is installed to maintain required flow.*
- ✓ *Complete the **Gas Boiler Commissioning Checklist - Service Interval Record (Chapter 10)**.*
- ✓ *Complete the combustion testing (Section 5.7) using a calibrated flue gas analyser.*