

Arizona Evolution

Steel Boiler Technology
290 to 4000kW



Working towards
a cleaner future

POTTERTON
COMMERCIAL

heating specialists

Arizona Evolution

Following on from the Arizona range of high performance steel shell boilers the **Arizona Evolution** has been developed to meet the needs of the 21st Century.

The Arizona Evolution boilers are a range of one-piece steel shell forced draught high efficiency boilers. Specifically developed for the public and commercial sectors. Compact dimensions mean that it can be easily and quickly installed.

Outstanding performance is achieved using reverse flame combustion chamber technology. Due to their continual re-entry into the flame zone, total combustion of the fuel particle is achieved. Gas or Oil options are available and controlled by a single control panel ensuring optimum performance is maintained.

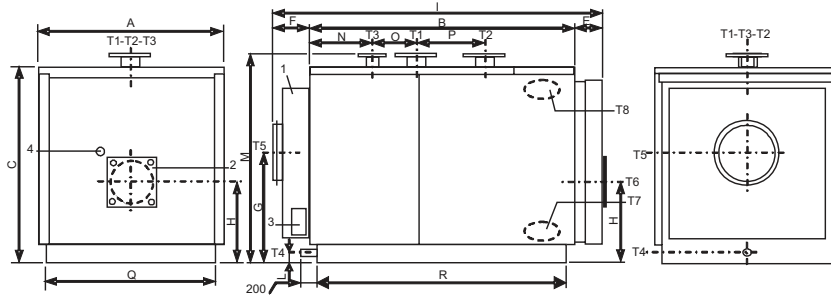


- One piece steel
- Fully matched Oil & Gas burners
- Fully integrated control system
- Chequered plate top
- Insulated casing panels
- Lifting eyes for ease of positioning

Model		290	325	350	410	465	585	640
Output	kW	290	325	350	410	465	585	640
Input	kW	320	358	384	446	509	633	695
Fuel Consumption*	m ³ /hr	33.39	37.39	40	46.51	53.03	65.97	72.4
100% Gross output Efficiency	%	90	91	91	91	91	92	92
30% Output gross efficiency	%	92	92	92	93	93	92	93
Seasonal Efficiency	%	*	*	*	*	*	*	*
Maximum pressure	bar	3	3	3	3	3	3	3
Minimum operating pressure	bar	1	1	1	1	1	1	1
max. operating temperature	°C	85	85	85	85	85	85	85
Minimum return temp	°C	55	55	55	55	55	55	55
Water flow at 11°ΔT	l/sec	6.38	7.15	7.66	8.93	10.23	12.78	14.05
Hydraulic resistance at 11°ΔT	kPa	*	*	*	*	*	*	*
High level ventilation	cm	640	716	768	892	1018	1266	1390
Low level Ventilation	cm	1280	1432	1536	1784	2036	2532	2780
Flue Gas Volume	m ³ /hr	*	*	*	*	*	*	*
Flue draught requirements	mm w c	1 to 4	1 to 4	1 to 4	1 to 4	1 to 4	1 to 4	1 to 4
Dry weight	kg	520	665	665	665	945	1087	1087
Water Content	litres	250	320	320	320	565	635	635
Dimensions	Length	1760	1995	1995	1995	2070	2070	2070
	Width	800	850	850	850	1020	1125	1125
	Height	930	950	950	950	1105	1200	1200

Dimensions

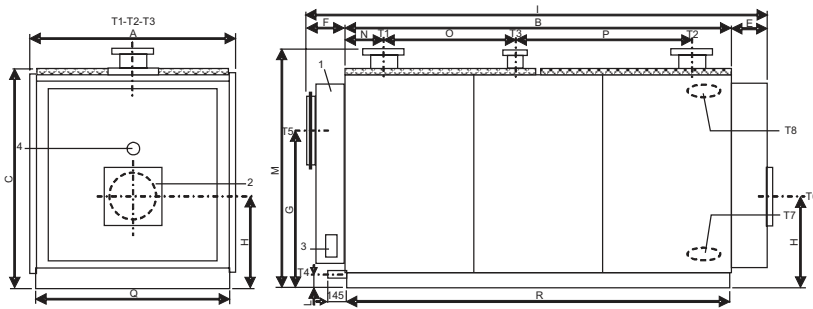
Arizona Evolution, 1320 to 2650kW



- 1 Removable Flue Box
- 2 Burner Adaptor Plate
- 3 Clean-out Door
- 4 Sight Glass
- T1 Flow
- T2 Return
- T3 Safety Valve
- T4 Drain 1½"
- T5 Flue Spigot
- T6 Burner Position
- T7 Sludge Drain
- T8 Inspection Hole

Dimensions

Arizona Evolution, 3000 to 3500kW



- 1 Removable Flue Box
- 2 Burner Adaptor Plate
- 3 Clean-out Door
- 4 Sight Glass
- T1 Flow
- T2 Return
- T3 Safety Valve
- T4 Drain 1½"
- T5 Flue Spigot
- T6 Burner Position
- T7 Sludge Drain
- T8 Inspection Hole

700	815	930	1320	1570	1850	2200	2650	3000	3500	4000
700	815	930	1320	1570	1850	2200	2650	3000	3500	4000
756	880	1006	1439	1711	2016	2398	2888	3270	3815	4371
78.8	91.72	104.92	147.5	175.4	206.7	246.3	296.4	335.6	391.6	374
92	92	92	82 Gas / 84 Oil							
93	94	92	82 Gas / 84 Oil							
*	*	*	82 Gas / 84 Oil							
3	3	3	6	6	6	6	6	6	6	6
1	1	1	1	1	1	1	1	1	1	1
85	85	85	90	90	90	90	90	90	90	90
55	55	55	55	55	55	55	55	55	55	55
15.33	17.89	20.46	28.6	33.98	40	47.62	57.4	64.94	75.8	86.87
*	*	*	3.5	3.3	4.5	3.4	4.8	6.2	8.4	15.4
1512	1760	2012	2884	3430	8675	9435	10415	11195	12285	*
3024	3520	4024	5768	6860	17350	18870	20830	22390	24570	*
*	*	*	1613	1953	2265	2661	3227	3661	4262	*
1 to 4	1 to 4	1 to 4	1 to -4	1 to -4	1 to -4	1 to -4	1 to -4	1 to -4	1 to -4	1 to -4
1087	1339	1339	2030	2780	3280	4145	4465	5110	6700	7500
635	690	690	1242	1418	1617	2098	2324	2667	4142	4455
2070	2350	2350	1432	1542	1542	1702	1702	1830	2090	2090
1125	1125	1125	1352	1462	1462	1622	1622	1720	1970	1970
1200	1200	1200	2644	2796	3166	3240	3560	3850	3894	4279

* refer to technical department

Commercial sales technical & service enquiries

Tel: 0845 070 1055
Fax: 0845 070 1059
Sales hotline: 0845 070 1056
Technical helpline: 0845 070 1057
Service hotline: 0845 070 1058
e-mail: potterton.commercial@baxigroup.com
web: www.pottertoncommercial.co.uk

Spares

Potterton Commercial spares are available nationwide through the interpart network of approved stockists. Alternatively please contact:-

Interpart

Brooks House
Coventry Road
Warwick CV34 4LL
Tel: 0844 871 1540

Applications & Installations

Our experienced technical support team are available to offer advice on any aspect of heating system design and boiler installation.

Please contact: 0845 070 1057

Commercial service offices

Our service organisation covers the whole of the UK to look after your needs for all Potterton Commercial products.

Our service office offers a wide range of specialised services including:

- Burner commissioning for all fuels
- Boiler service contracts
- Breakdown and repair services
- Burner and boiler replacement
- Oil/gas conversions
- Water treatment and descaling
- Packaged units

All descriptions and illustrations contained within this leaflet have been carefully prepared, but we reserve the right to make changes and improvements in our products which may affect the accuracy of the information in this leaflet.

PART OF BDR THERMEA

Baxi Commercial Division

Wood Lane, Erdington,
Birmingham B24 9QP

Email: potterton.commercial@baxigroup.com
www.pottertoncommercial.co.uk

Sales:

0845 070 1056

Technical:

0845 070 1057



POTTERTON

COMMERCIAL

heating specialists