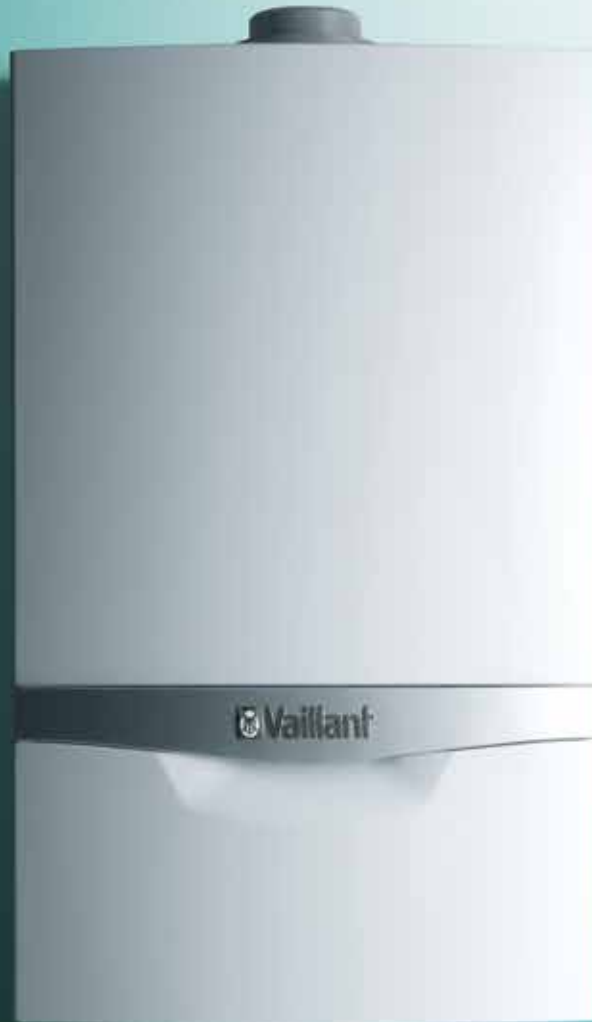


ecoTEC plus 48 and 64kW

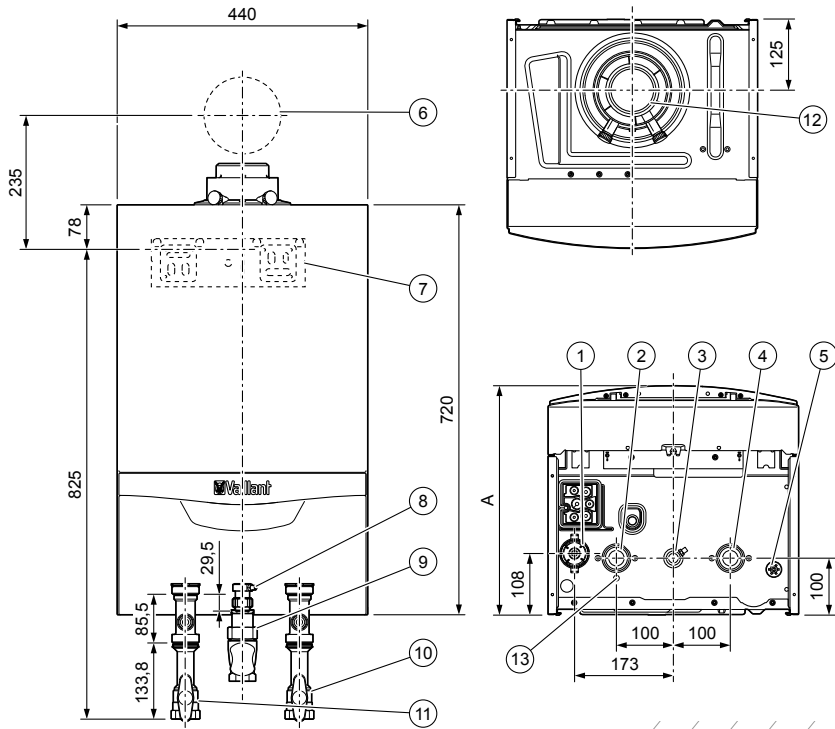
Technical specification



- Lightweight and compact design for its output allows for more flexible sitings
- High efficiency stainless steel heat exchanger allows lower running and ownership costs for end users
- Suitable for larger buildings and cascade installation for premises with limited space
- ErP A+ rated when installed with a class VI control
- Rain ingress protection prevents water depositing from the flue to within the case

ecoTEC plus 48 and 64kW technical specification

Dimensions

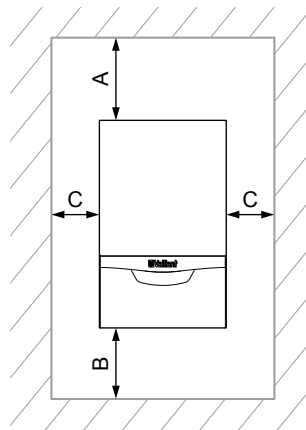


Connections

Connections	Description
1	Condensate siphon
2	Heating flow connection
3	Gas connection
4	Heating return connection
5	Drain for the rainwater collecting device
6	Position of hole for the flue system
7	Wall hanging bracket
8	Gas pressure test point connection
9	Gas stopcock
10	Heating return stopcock
11	Heating flow stopcock
12	Air/flue pipe connection
13	Drain for the dynamic air separation system

Clearances

A minimum of 500mm clearance in front of the boiler is required to enable easy access for servicing. This may be provided by an accessible door.



A	B	C
≥ 275mm	≥ 180mm	≥ 5mm

ecoTEC plus	Unit	48kW	64kW	
Article number		0010021520	0010021521	
Gas council number	G.C	41-694-28	41-694-29	
Heat output range	80/60	kW	7.8 - 44.1	11.0 - 58.7
Natural gas G20 at 20mb	50/30	kW	8.7 - 48.0	12.2 - 63.5
Conversion to LPG G31 at 37mb	80/60	kW	7.8 - 44.0	11.1 - 58.4
(conversion kit available from Vaillant)	50/30	kW	8.6 - 46.6	12.0 - 62.1
Maximum heat input (net)		kW	45.2	60
Modulation ratio - N:1		%	5.5 : 1 (18%)	5.2 : 1 (19%)
Energy-related Products (ErP rated)*				A+
PCDB seasonal efficiency		%		94
Part L2 seasonal efficiency **	NG	%	95.9	95.6
Net efficiency 100%	80/60	%	98.2	98.2
Net efficiency 30%	50/30	%	109.2	109.4

*When installed with a class VI control

**In accordance with the non-domestic compliance guide 2013

ecoTEC plus		Unit	48kW	64kW
Gas working pressure	NG	mbar	20	
	LPG	mbar	37	
Nominal gas consumption at 15°C 1013mb	NG	m³/h	4.8	6.3
	LPG	kg/h	3.5	4.6
NOx class 6 - 0% oxygen - Dry		mg/kWh	30.8	29.1
Minimum / maximum flow temperature		°C	30 / 80	
Nominal CH flow rate $\Delta t = 20$ K		l/hr	1900	2500
Pump head in DHW mode - Minimum / maximum / default		mbar	100 / 400 / 200	
Pump head in CH mode - Minimum / maximum / default		mbar	100 / 400 / 200	
Condensate (PH range 3.5 - 4.0)		l/h	5.0	6.9
Standby loss $\Delta t = 30$ K		W	25	32
Maximum power consumption		W	162	250
Standby power consumption		W	< 2	
Supply voltage / frequency / current			230V / 50Hz / 3A	
IP rating			IP X4D	
Noise level - load EN 15036-1 re1pW		dB(A)	56.5	56.6
Dimensions (H x W x D)		mm	720 x 440 x 405	720 x 440 x 473
Dry weight (includes pump)		kg	38	48
Internal water capacity (PH range 6.5 - 8.5)		l	3.5	4.4
Concentric air flue duct		Ø mm	80 / 125	
Connection size (B23p)		Ø mm	80	
Certification for GB			C13, C33, C43, C53, C93, B23, B23p, B33, B53, B53p	
Maximum horizontal flue length		m	18	15
Maximum vertical flue length		m	21	18
Flue mass flow Qmax	NG	g/s	20.3	27.0
Minimum / maximum flue gas temperature		°C	40 / 78	
Fan pressure B23p in single		Pa	125	187
Maximum flue resistance in cascade		Pa	50	
Flow and return connections		BSP	1 ¼"	
Gas connection		BSP	1"	
Condensate connection pipe		Ø mm	19 ID	
Pressure relief valve size		BSP	¾"	
Minimum / maximum operating pressure		bar	0.8 / 4.0	
High efficiency pump (built-in)		EEl ≥ 0.23	UPMM 25-85	UPML 25-105

Water quality - To maintain boiler performance and life ensure all system water remains free of debris and is treated to manage hardness and corrosion by use of inhibitors throughout the boiler life. Omissions could lead to failures that are not covered by our guarantee. See website for full terms and conditions.

Accessories

Vaillant has a full range of accessories including low-loss headers, plate heat exchangers, cascade rigs, vertical and horizontal flues and controls, all of which are compatible with ecoTEC 48 and 64kW boilers. Contact your Regional Business Manager for more information.



Customer service and support

contact details.

Sales Support

Vaillant products are available to purchase from reputable heating merchants in the UK. To find contact details for your nearest Vaillant sales representative:

Telephone: 0345 602 0262

Specifiers

We can provide you with bespoke solutions to accommodate a variety of different installations. To discuss your requirements or find contact details for your nearest sales representative:

Telephone: 0345 602 0262

Website: www.vaillantcommercial.co.uk

Technical Enquiries

For technical assistance:

Telephone: 0330 102 8570

Email: commercial@vaillant.co.uk

Commercial Service

For commercial product aftersales, servicing and commissioning:

Telephone: 0207 022 0927

General Enquiries

If you have a general enquiry our friendly reception staff will happily point you in the right direction:

Telephone: 0345 602 2922

Training Enquiries

Vaillant provide many different training courses. For more information:

Telephone: 0345 601 8885

Email: training.enquiriesuk@vaillant-group.com

Vaillant Group UK Ltd

Nottingham Road, Belper, Derbyshire DE56 1JT

Telephone: 0345 602 2922 ■ www.vaillant.co.uk ■ info@vaillant.co.uk

