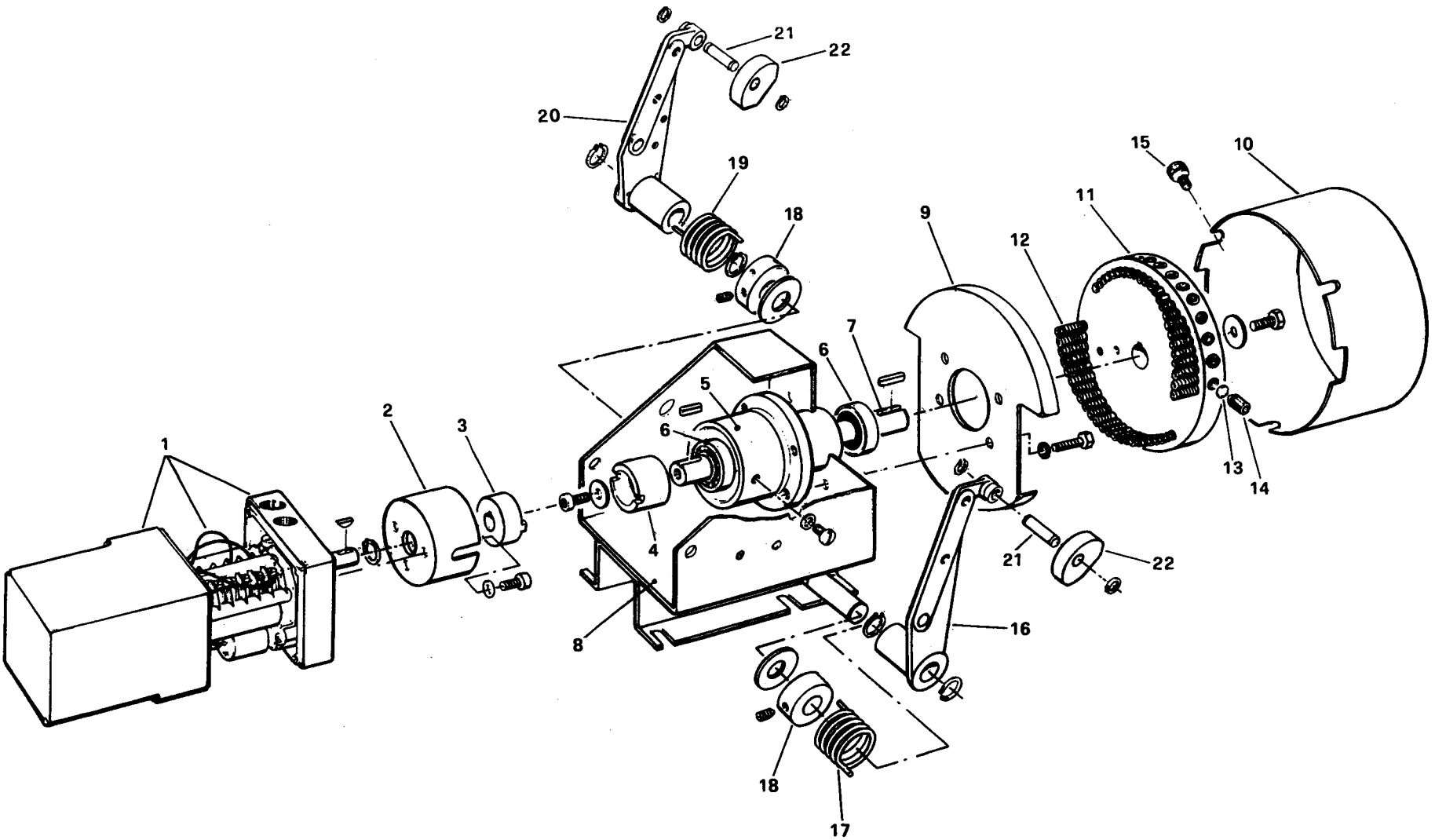


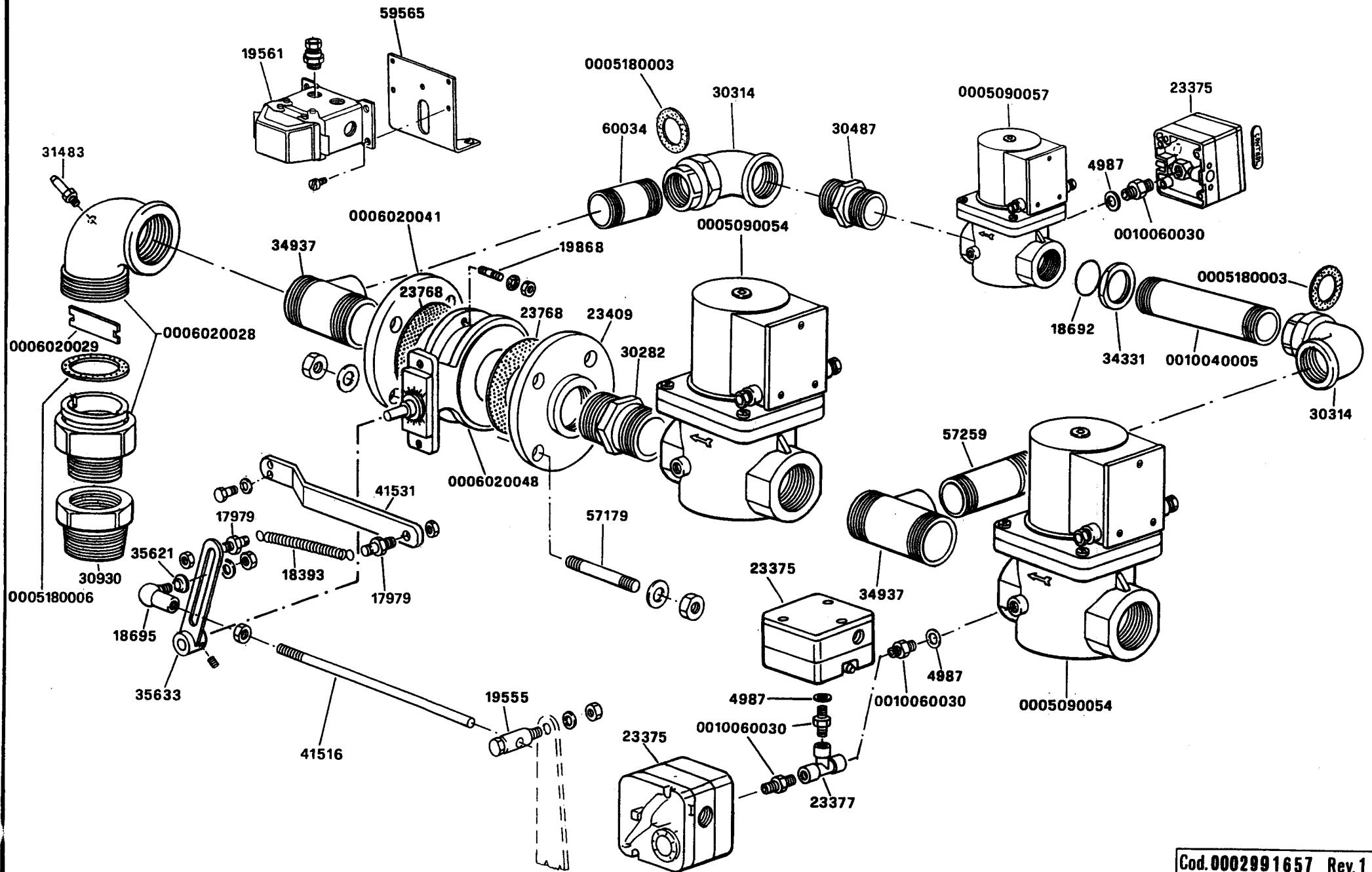
GRUPPO MODULATORE - MODULATING SYSTEM - SYSTEME DE MODULATION - MODULATIONSSYSTEM

cod.16283



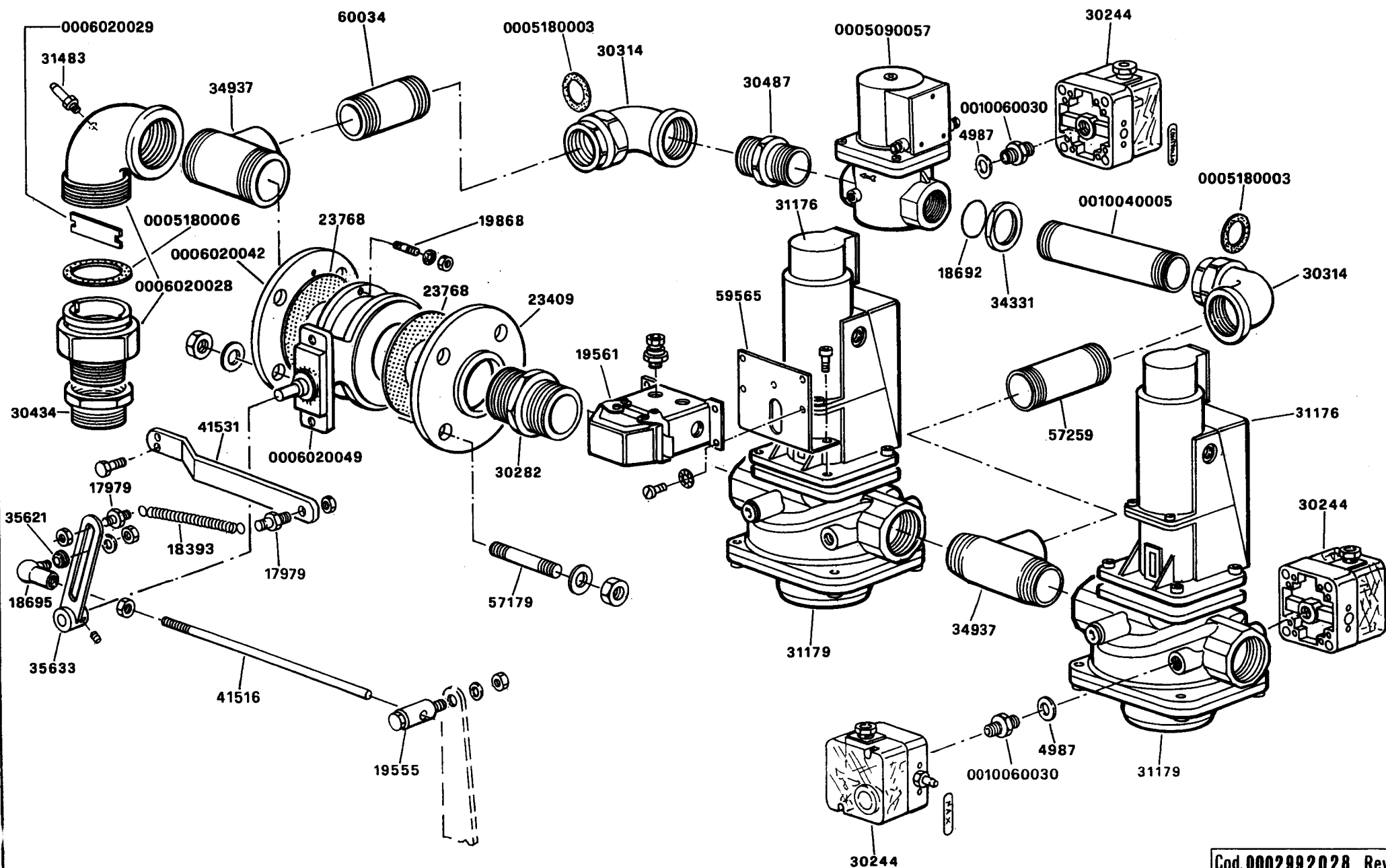
Cod. 0002990920 Rev.2
Data 12-02-2001 dis.Balboni

901104 - RAMPA GAS - TREN DE GAS - GAS TRAIN - RAMPE A GAZ - GASRAMPE 2"



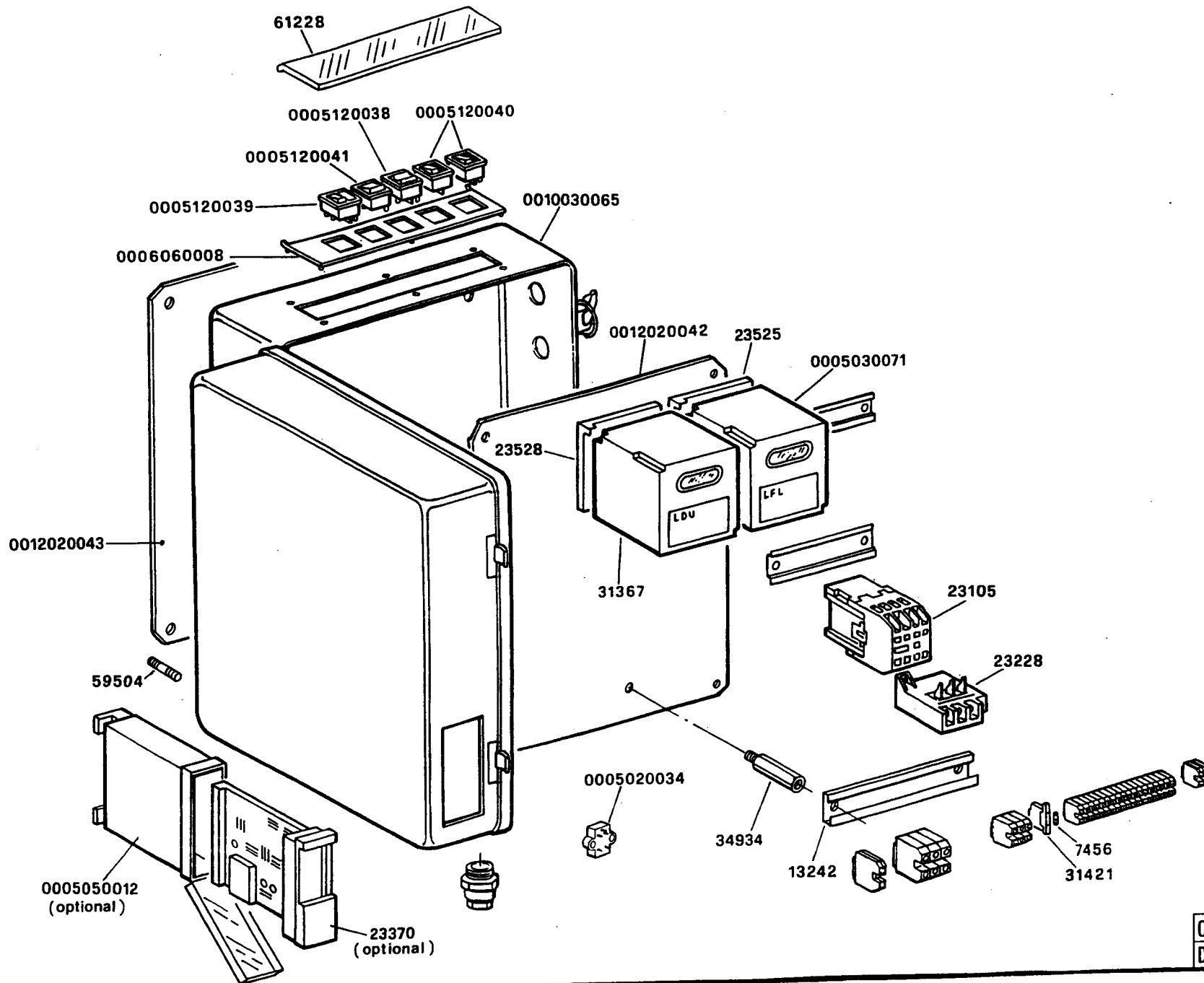
Cod. 0002991657 Rev. 1
Data 24-05-2000 dis. Balboni

901122 - RAMPA GAS - TREN DE GAS - GAS TRAIN - RAMPE A GAZ - GASRAMPE 2"



Cod. 0002992028 Rev.0
Data 24-05-2000 dis. Balboni

QUADRO ELETTRICO - CONTROL PANEL - CUADRO ELECTRICO - APPAREILLAGE ELECTRIQUE - SCHALTGERAETE



Cod. 0002992029 Rev.0
Data 24-05-2000 dis. Balboni

TAV. C249