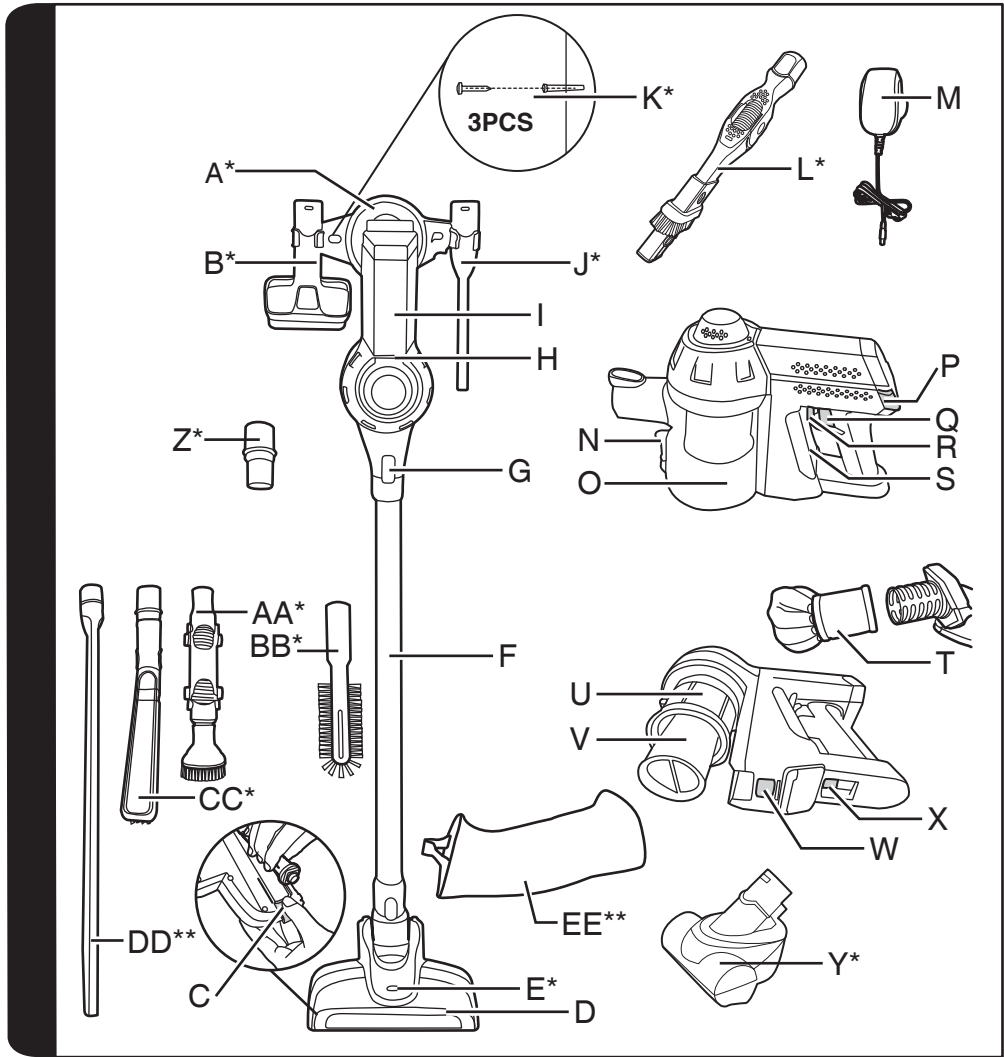


# CANDY

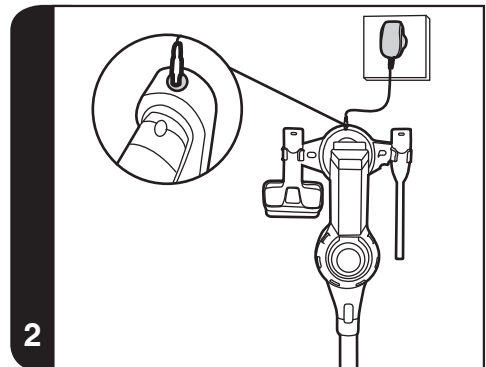
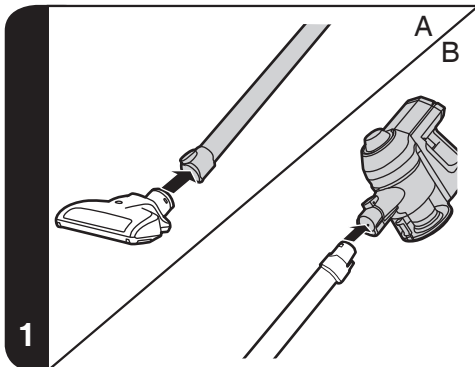


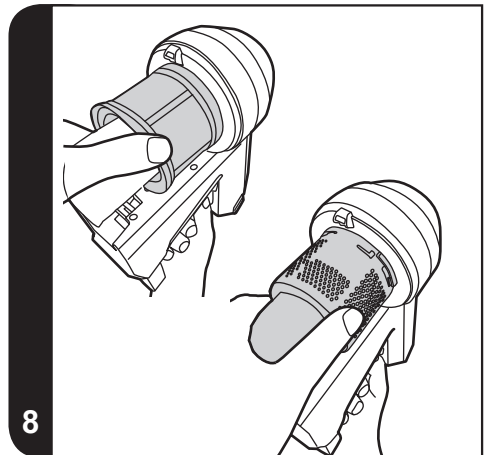
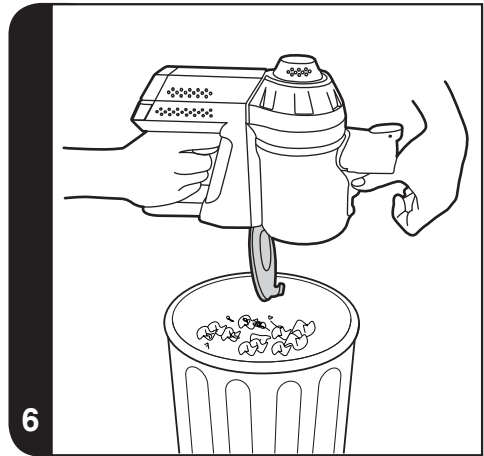
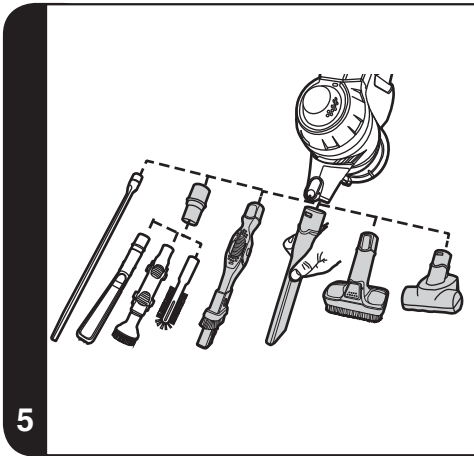
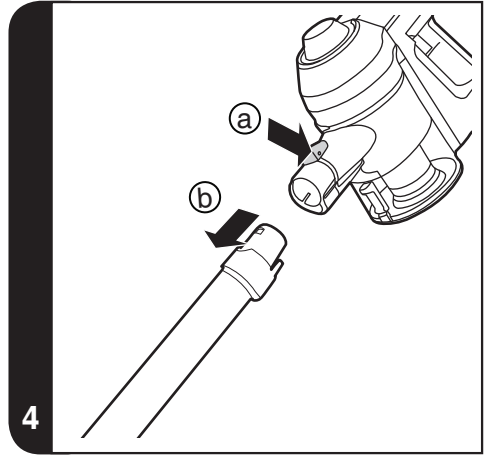
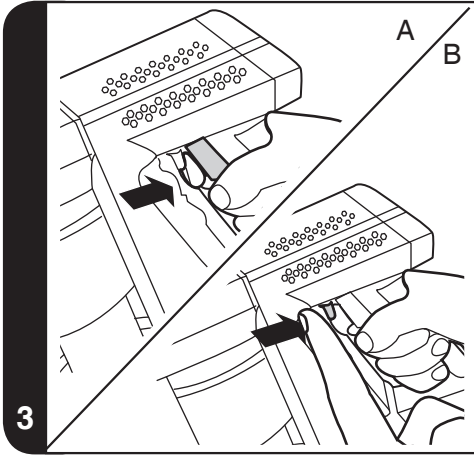
USER MANUAL (GB) .....	P 01
MANUEL D'UTILISATION (FR) .....	P 06
BEDIENUNGSANLEITUNG (DE) .....	P 11
MANUALE ISTRUZIONI (IT) .....	P 16
INSTRUKCJA OBSŁUGI (PL).....	P 21
NÁVOD K OBSLUZE (CZ).....	P 26
NAVODILA ZA UPORABO (SI).....	P 31
UPUTSTVO ZA UPOTREBU (SRB).....	P 36

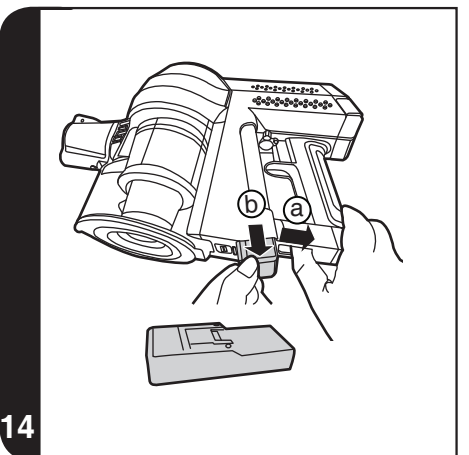
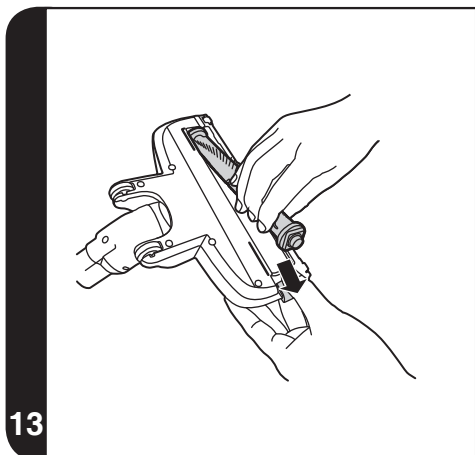
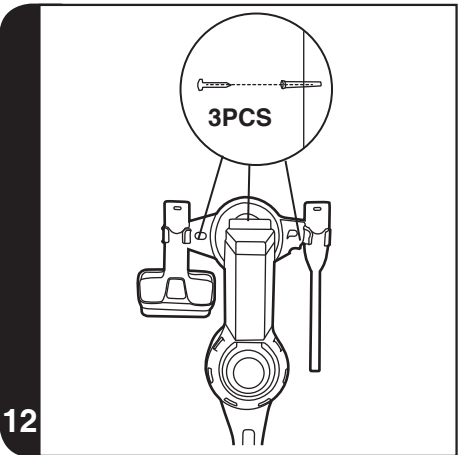
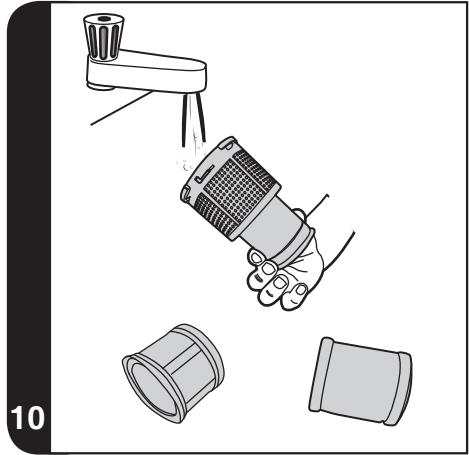
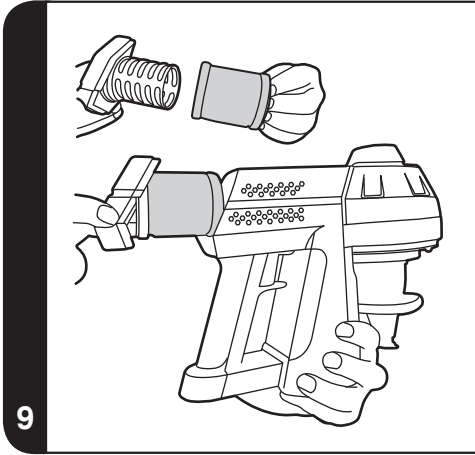




\* Certain models only







## INSTRUCTIONS FOR SAFE USE

This appliance should only be used for domestic cleaning, as described in this user guide. Please ensure that this guide is fully understood before operating the appliance.

Always switch off and remove the charger from the socket before cleaning the appliance or any maintenance task.

This appliance can be used by children aged from 8 years and above and persons with reduced physical, sensory or mental capabilities or lack of experience and knowledge if they have been given supervision or instruction concerning use of the appliance in a safe way and understand the hazards involved. Children shall not play with the appliance. Cleaning and user maintenance shall not be made by children without supervision.

If the power cord is damaged stop using the appliance immediately. To avoid a safety hazard, an authorised Candy service engineer must replace the power cord.

Keep hands, feet, loose clothing and hair away from rotating brushes.

Use only the original charger supplied with the appliance.

Check that your supply voltage is the same as that stated on the charger.

This appliance is supplied with a double insulated battery charger which is only suitable for insertion in a 230V (UK 240V) socket outlet.

Plug the charger in to suitable socket outlet and connect the charger jack plug to the appliance. **[2]**

When charging the appliance, the power switch lever must be in the off position.

Before first use, charge your appliance for at least 6 hours. The charging LED indicator **[H]** will illuminate red when charging and will illuminate blue when fully charged.

Re-connect the appliance to the charger after use to recharge the battery.

Never charge the batteries in temperatures above 37°C or below 0°C.

It is normal for the charger to become warm to the touch when charging.

Do not unplug the charger by pulling on the power cord.

Unplug the charger in the event of prolonged absence (holidays, etc.). Recharge appliance again before use as batteries may self discharge over increased periods of storage.

If the appliance is to be disposed of the batteries must first be removed. The appliance must be disconnected from the supply mains when removing the battery. Dispose of the batteries safely. Run the appliance until it stops because the batteries are fully discharged. Used batteries should be taken to a recycling station and not disposed of with household waste. To remove the batteries, please contact the Candy Customer Centre or proceed according to the following instructions.

**IMPORTANT:** Always fully discharge the batteries before removal.

Run the cleaner until the batteries are completely empty.

Remove the charger jack plug from the appliance.

Pull back the battery pack release button and the battery pack will be pushed out a short distance automatically. **[14a]**

Drag the battery pack slowly from the slot. **[14b]**

**Note:** Should you experience any difficulty in dismantling the unit or for more detailed information on treatment, recovery and recycling of this appliance, please contact your local city office or your household waste disposal service.

Use only attachments, consumables or spares recommended or supplied by Candy.

**Static electricity:** Some carpets can cause a small build up of static electricity. Any static discharge is not hazardous to health.

Do not use your appliance out of doors or on any wet surface or for wet pick up.

Do not pick up hard or sharp objects, matches, hot ashes, cigarette ends or other similar items. Do not spray with or pick up flammable liquids, cleaning fluids, aerosols or their vapours.

Do not run over the power cord when using your appliance or remove the plug by pulling on the power cord. Do not continue to use your appliance or charger if it appears faulty.

**Candy service:** To ensure the continued safe and efficient operation

of this appliance we recommend that any servicing or repairs are only carried out by an authorised Candy service engineer.

Do not use the appliance to clean animals or people.

Do not replace the batteries with non-rechargeable batteries.

#### The Environment:

This appliance is marked according to the European directive 2011/65/EC on Waste Electrical and Electronic Equipment (WEEE). By ensuring this product is disposed of correctly, you will help prevent potential negative consequences for the environment and human health, which could otherwise be caused by inappropriate waste handling of this product. The symbol on the product indicates that this product may not be treated as household waste. Instead it shall be handed over to the applicable collection point for the recycling of electrical and electronic equipment. Disposal must be carried out in accordance with local environmental regulations for waste disposal. For more detailed information about treatment, recovery and recycling of this product, please contact your local city office, your household waste disposal service or the shop where you purchased the product.



This product complies with the European Directives 2014/35/EU, 2014/30/EU and 2011/65/EU.

CANDY Hoover GROUP S.r.l. Via Privata Eden Fumagalli, 20861 Brugherio (MB) Italy

### PRODUCT COMPONENTS

- |                                  |                                 |
|----------------------------------|---------------------------------|
| A. Docking Station *             | Q. Switch On/Off                |
| B. 2In1 Dusting Brush *          | R. Switch Lever                 |
| C. Agitator Release Button       | S. Battery Pack                 |
| D. Power Nozzle                  | T. Exhaust Filter               |
| E. Nozzle Led Light *            | U. Mesh Filter                  |
| F. Tube                          | V. Cyclone Separator            |
| G. Accessory Release Button      | W. Dust Cup Release Button      |
| H. Handheld Led Light            | X. Battery Pack Release Button  |
| I. Handheld Unit                 | Y. Mini-turbo Nozzle *          |
| J. Crevice Tool *                | Z. Accessory Adaptor *          |
| K. Screws Plugs *                | AA. Up To Top Tool *            |
| L. Long Rotation 2 In 1 Brush *  | BB. Radiator Tool *             |
| M. Charger                       | CC. Deep Cleaning Brush*        |
| N. Dust Cup Empty Button         | DD. Long Flexible Crevice Tool* |
| O. Dust Cup                      | EE. Accessory bag*              |
| P. Exhaust Filter Release Button |                                 |

### PREPARING YOUR CLEANER

1. Fix the docking station to your wall using the screws and screw plugs provided.
2. Insert the nozzle head into one side of tube until you hear a "click" sound. **[1A]**
3. Insert another side of tube into handheld unit until you hear a "click" sound. **[1B]**
4. To fully charge the appliance, connect the charger jack plug to the appliance. It will take around 6Hrs. **[2]**

**NOTE:** To remove the nozzle press the nozzle release button and pull away from the main body.

**NOTE:** Use only the charger supplied with your cleaner to recharge.

**IMPORTANT:** When charging the cleaner the switch lever must be in the OFF position.

It is normal for the charger to become warm to the touch when charging.

### USING YOUR CLEANER

#### Safety protection system

To ensure the reliability of product is not affected if used under arduous conditions, the product features an integrated Safety protection system.

\* Certain Models Only

**NOTE:** The Safety protection system will action if the agitator has a blockage or is locked. Once actioned, the agitator will stop rotating and the Blue LED on the handheld unit will turn red and begin to flash.

If this happens, simply switch off your product and clear the agitator obstruction. To resume cleaning, press the on/off button and the product will restart in normal mode.

There are two working modes:

- **TEMPORARY MODE:** The product will start working when you press the on/off switch and stop when released. [3A]
- **CONTINUOUS MODE:** To enable continuous mode you can pull switch lever back and it will click into place. To disable continuous mode you can push the switch lever forward. [3B]

**Charging Indication:** The handheld LED light keep red light during charging and turns into blue light when fully charged.

**Discharging Indication:** When the batteries are discharging, both handheld LED light and nozzle LED light are blue. Handheld LED light will blink when the battery capacity is lower than 5%.

**Crevice Tool / 2 in 1 Dusting Brush\* / Long Rotation 2 in 1 Brush\* / Mini-turbo Nozzle\* / Long Flexible Crevice Tool\***  
You can insert the accessory directly into the air inlet of handheld unit or one side of the tube and heard a "click" sound. [5]  
Only Crevice Tool and 2in1 Dusting brush can be stored on the docking station.

#### Accessory bag\*:

Additional accessories can be stored in the accessory bag.

**NOTE:** The mini-turbo nozzle is ideal for deep cleaning textile surfaces (i.e. sofas) and pet hair removal. Move it steadily backwards and forwards. After using, please remove hair / threads collected on the brush with scissors if necessary.

**NOTE:** The long flexible crevice tool is ideal for cleaning in hard to reach areas and underneath furniture.

#### Up to Top Tool\*/Radiator Tool\* /Deep Cleaning brush\*

These accessory must be assembled with accessory adaptor for using.

You can insert the accessory adaptor directly into the air inlet of handheld unit or one side of tube and heard a "click" sound.

**NOTE:** The up to top tool can easily clean high and hard to reach places and delicate surfaces without scratching.

**NOTE:** The radiator tool is ideal for cleaning inside and around cabinets, radiators, couches, blinds and more.

**NOTE:** The deep cleaning brush is useful to clean in tight spaces without scratching surfaces.

**IMPORTANT:** After each use of your product, please ensure to push the switch lever forward to the unlocked position. Failure to do so may result in a reduction in battery life or failure.

## CLEANER MAINTENANCE

### Emptying the Dust Container

1. Press the accessory release button and remove the tube. [4]
2. Push down the dust cup empty button to release the bin flap and empty the contains. [6]
3. Close the dust cup flap up, you will hear a click when fully locked.

**NOTE:** It is recommended to empty the dust cup after each use or when dust is up to the max fill line.

### Cleaning the Dust Container and Filter

1. Press the accessory release button and remove the tube. [4]
2. Press the dust cup empty button to open the bin flap and empty it. [6]
3. Press the dust cup release button and also pulling the dust cup away in an downwards and outward direction. [7]
4. Turn the mesh filter to the anticlockwise direction to align the arrow mark and then it can be pulled out from the cleaner. [8]
5. Turn the cyclone separator to the anticlockwise direction, align the arrow mark and then it can be pulled out from the cleaner. [8]
6. Press the two exhaust filter release buttons simultaneously and then remove the exhaust filter. [9]
7. Wash the exhaust filter in lukewarm water and leave to dry for 24 hours. Reassemble once completely dry and refit to the product. [10] [11]
8. Wash the dust cup/mesh filter/cyclone separator in lukewarm water. Ensure it is fully dry before returning to the main body. [10]
9. Reassemble the handheld unit and then attach it to the docking station. [12]

**NOTE:** Do not use hot water or detergents when cleaning the exhaust filters. In the unlikely event of the exhaust filters becoming damaged, fit a genuine Candy replacement. Do not try use the product without a filter fitted.

**IMPORTANT:** For optimum performance, always keep your mesh filter clean. We recommend that the filter should be washed at least once a month.

\* Certain Models Only



### Changing and Cleaning the Agitator

**IMPORTANT:** Always switch off the cleaner before changing and cleaning the agitator.

1. Remove the power nozzle from the tube and slide the agitator release button outward to remove the agitator. [13]
2. Remove all the debris from the agitator or if this is not satisfactory you can replace it.
3. When you are refitting the agitator please note it can only be fitted in the one direction. To refit slide the agitator release button outwards and locate agitator in correct position then release button, it will lock automatically.

### Replacing the Batteries

This cleaner is fitted with a rechargeable Lithium ion battery pack which is replaceable.

**WARNING:** Only use approved replacement parts for your cleaner. Using parts not validated by Candy are dangerous and will invalidate your guarantee.

**WARNING:** Do not try to open the battery pack and repair it by yourself.

1. Pull back the battery pack release button and the battery pack will be pushed out short distance automatically. [14a]
2. Pull the battery pack slowly from the slot. [14b]
3. Remove the old battery pack and replace with the new battery pack.
4. Dispose of the batteries safely. Used batteries should be taken to a recycling station and not disposed off with household waste.

## TROUBLE SHOOTING

Should you have any problem with your cleaner, follow this simple check list before calling the Candy Customer Service Centre:

- A. Cleaner does not switch on.**  
Check if the cleaner is charged.
- B. Cleaner stop working or the agitator does not rotate.**  
Check if there is an obstruction in the agitator, clear it and ensure the continuous mode lever is off. Once this is done simply press the on/off button, the product will restart after a few seconds.
- C. Loss of suction or no suction**  
Empty the dust cup and wash the mesh filter and cyclone separator.  
Remove nozzle and check for any blockages in the duct.
- D. Batteries cannot be charged.**  
This may be a result of very long storage periods (over half year).  
Contact Candy customer service to arrange battery replacement.  
If the problem persists contact the Candy customer service centre.

## Candy SPARES AND CONSUMABLES

Always replace parts with genuine Candy spares. These are available from your local Candy dealer or direct from Candy. When ordering parts always quote your model number.

## YOUR GUARANTEE

The guarantee conditions for this appliance are as defined by our representative in the country in which it is sold. Details regarding these conditions can be obtained from the dealer from whom the appliance was purchased. The bill of sale or receipt must be produced when making any claim under the terms of this guarantee.

Subject to change without notice.

## INSTRUCTIONS DE SÉCURITÉ D'UTILISATION

Cet appareil ne doit être utilisé que pour un nettoyage domestique, conformément à ce guide d'utilisation. Veuillez vous assurer que ces instructions sont parfaitement comprises avant d'utiliser l'appareil.

Il convient de toujours éteindre et mettre le chargeur hors tension avant d'entreprendre des opérations de nettoyage ou d'entretien de l'appareil.

Cet appareil peut être utilisé par des enfants âgés d'au moins 8 ans et par des personnes ayant des capacités physiques, sensorielles ou mentales réduites, ou n'ayant pas d'expérience ou de connaissances en la matière. Ces dernières doivent recevoir des instructions sur l'utilisation de l'appareil en toute sécurité et comprendre les risques impliqués. Les enfants ne doivent pas jouer avec l'appareil. Le nettoyage et l'entretien ne devraient pas être effectués par des enfants sans supervision.

Si le cordon d'alimentation est endommagé, arrêtez immédiatement d'utiliser l'appareil. Pour éviter les risques d'accident, un réparateur Candy agréé doit remplacer le cordon d'alimentation.

Maintenez les mains, pieds, vêtements et cheveux à distance des brosses rotatives.

Utilisez uniquement le chargeur d'origine qui vous a été fourni avec l'appareil.

Vérifiez que la tension de l'alimentation est la même que celle indiquée sur le chargeur.

Cet appareil Candy est fourni avec un chargeur de batterie doublement isolé qui n'est adapté qu'à une prise de 230 V (240 V Grande-Bretagne).

Branchez le chargeur dans une prise adaptée et connectez la prise jack du chargeur dans l'appareil. **[2]**

Lors du chargement de l'appareil, le commutateur d'arrêt/de démarrage doit être sur arrêt.

Avant la première utilisation, rechargez votre aspirateur pendant au moins 6 heures. L'indicateur de chargement DEL **[H]** tournera au rouge lorsque le produit est en train de charger et au bleu lorsqu'il est complètement chargé.

Rebranchez l'appareil au chargeur après l'utilisation pour recharger les batteries.

Ne rechargez jamais les batteries dans des températures de plus de 37°C ou en-dessous de 0°C.

Il est normal pour le chargeur de devenir chaud au toucher lorsqu'il est en train de charger.

Ne pas débrancher en tirant sur le cordon d'alimentation.

Débranchez le chargeur en cas d'absence prolongée (vacances, etc.). Rechargez l'appareil de nouveau avant de l'utiliser car les batteries peuvent se décharger toutes seules si elles sont stockées pendant longtemps.

Si vous mettez l'appareil à la poubelle, il convient de retirer les batteries d'abord. L'appareil ne doit pas être branché à la prise, lorsque vous retirez les batteries. Mettez les batteries à la poubelle, dans un endroit sûr. Laissez fonctionner l'appareil jusqu'à l'arrêt total de l'appareil dû au fait que les batteries sont entièrement déchargées. Des batteries usées doivent être amenées à un point de recyclage et non pas être éliminées avec les ordures ménagères. Pour retirer les batteries, veuillez contacter le centre d'assistance Candy ou suivez les instructions suivantes.

**IMPORTANT** : Déchargez toujours complètement les piles avant de les retirer.

Faites fonctionner le nettoyeur jusqu'à ce que les batteries soient complètement vides.

Retirez la prise jack du chargeur de l'appareil.

Tirez sur le bouton de déverrouillage du bloc batterie ; le bloc batterie ressortira sur une petite distance de manière automatique. **[14a]**

Tirez lentement le bloc batterie de la fente. **[14b]**

**Note** : Si vous rencontrez des difficultés en démontant l'unité ou si vous souhaitez obtenir de plus amples informations concernant le traitement, la récupération et le recyclage de cet appareil, veuillez contacter les services de votre ville locale ou un service de traitement des ordures ménagères.

N'utilisez que les accessoires, les consommables et les pièces de rechange recommandés ou fournis par Candy.

**Electricité statique** : Certains tapis peuvent entraîner une petite accumulation d'électricité statique. Les décharges d'électricité statique ne sont pas dangereuses pour la santé.

N'utilisez pas votre appareil à l'extérieur, sur une surface humide ou pour un ramassage humide.

N'aspirez pas d'objets durs ou tranchants, d'allumettes, de cendres chaudes, de mégots de cigarettes ou d'autres objets similaires. Ne pulvérisez ou n'aspirez pas des liquides inflammables, des produits d'entretien liquides, des aérosols ou leurs vapeurs.

Ne marchez pas sur le cordon d'alimentation lorsque vous utilisez votre appareil et ne le débranchez pas de la prise en tirant sur le cordon d'alimentation. Ne continuez pas à utiliser votre appareil ou

votre chargeur s'il semble défectueux.

**Service Candy :** Pour assurer l'utilisation sûre et efficace de cet appareil, nous recommandons de n'en confier l'entretien et les réparations qu'à un réparateur Candy agréé.

N'utilisez pas l'appareil sur des personnes ou des animaux.

Ne remplacez pas les batteries avec des batteries non rechargeables.

#### Environnement :

Cet appareil porte des marques conformes à la directive européenne 2011/65/EC relative aux déchets d'équipements électriques et électroniques (DEEE). Si vous jetez ce produit convenablement, vous contribuerez à éviter des conséquences potentiellement nuisibles pour l'environnement et pour la santé. Le symbole figurant sur le produit indique qu'il ne peut pas être mis à la poubelle avec les ordures ménagères. Vous devez le déposer dans un centre de recyclage des déchets électriques et électroniques. La déposition doit être effectuée conformément à la réglementation locale en matière de déchets. Pour obtenir des compléments d'information sur le traitement, la récupération et le recyclage de ce produit, merci de contacter votre municipalité, le service local des ordures ménagères ou le lieu d'achat du produit.



Cet appareil est conforme aux Directives européennes 2014/35/UE, 2014/30/EUE et 2011/65/UE.

CANDY Hoover GROUP S.r.l. Via Privata Eden Fumagalli, 20861 Brugherio (MB) Italy

### COMPOSANTS DU PRODUIT

- |  |   |
|--|---|
| A. Station de rangement *                          | Q. Interrupteur Marche/Arrêt                  |
| B. Brosse meuble 2en1 *                            | R. Commutateur d'arrêt/de démarrage           |
| C. Bouton de déverrouillage de la brosse rotative  | S. Bloc batterie                              |
| D. Brosse électrique                               | T. Filtre d'évacuation                        |
| E. Voyant de la brosse *                           | U. Filtre à mailles                           |
| F. Tube  | V. Séparateur de cyclone                      |
| G. Bouton de déverrouillage de l'accessoire        | W. Bouton d'éjection du récipient à poussière |
| H. Voyant de la poignée                            | X. Bouton de déverrouillage du bloc batterie  |
| I. Aspirette                                       | Y. Mini turbobrosse *                         |
| J. Suceur plat *                                   | Z. Adaptateur d'accessoire *                  |
| K. Bouchons à vis *                                | AA. Outil Sommet *                            |
| L. Longue brosse de rotation 2 en 1 *              | BB. Outil de radiateur *                      |
| M. Chargeur  | CC. Brosse de nettoyage soigné*               |
| N. Bouton de vidage du bac à poussière             | DD. Suceur flexible coins profonds*           |
| O. Récipient à poussière                           | EE. Sac accessoire*                           |
| P. Bouton de déverrouillage du filtre d'évacuation |   |

### PREPARATION DE L'APPAREIL

1. Fixez la station d'ancrage au mur à l'aide des vis et des bouchons à vis fournis.
2. Insérez la tête de buse dans un côté du tube jusqu'à ce que vous entendiez un déclic. **[1A]**
3. Insérez l'autre côté du tube dans l'aspirette jusqu'à ce que vous entendiez un déclic. **[1B]**
4. Pour entièrement charger l'appareil, connectez la prise jack du chargeur dans l'appareil. Cela prendra environ 6 heures. **[2]**

**REMARQUE :** Pour enlever la brosse, appuyez sur le bouton pour détacher la brosse et enlevez-la du corps principal.

**REMARQUE :** N'utilisez que le chargeur fourni avec votre nettoyeur pour recharger.

**IMPORTANT :** Lors du chargement de l'appareil, le commutateur d'arrêt/de démarrage doit être sur arrêt.

Il est normal pour le chargeur de devenir chaud au toucher lorsqu'il est en train de charger.

### UTILISATION DE L'APPAREIL

#### Système de protection de sécurité

Pour s'assurer que la fiabilité du produit n'est pas affectée en cas d'utilisation dans des conditions difficiles, le produit comporte un système de protection de sécurité intégré.

\* Sur certains modèles uniquement

**REMARQUE** : Le système de protection de sécurité s'activera s'il existe une obstruction au niveau de l'agitateur ou s'il est verrouillé. Une fois activé, l'agitateur arrêtera de tourner et le voyant bleu de l'unité portable deviendra rouge et commencera à clignoter.

Si cela se produit, éteignez simplement le produit et dégagez l'obstruction de l'agitateur. Pour reprendre le nettoyage, appuyez sur le bouton de marche/arrêt et le produit redémarrera en mode normal.

Il existe deux modes de fonctionnement :

- **MODE TEMPORAIRE** : Le produit commence à fonctionner lorsque vous appuyez sur le bouton de marche/arrêt et s'arrête quand vous le relâchez. **[3A]**
- **MODE CONTINU** : Pour activer le mode continu, vous pouvez retirer le commutateur d'arrêt/de démarrage et il s'enclenchera. Pour désactiver le mode continu, vous pouvez pousser le commutateur d'arrêt/de démarrage en avant. **[3B]**

**Indication de charge** : Le voyant de la poignée garde la couleur rouge lorsque le produit est en train de charger et devient bleu lorsqu'il est complètement chargé.

**Indication de décharge** : Lorsque les batteries se déchargent, le voyant de la poignée et le voyant de la brosse sont bleus. Le voyant de la poignée clignote lorsque la capacité de charge de la batterie est inférieure à 5 %.

#### **Suceur plat / Brosse meuble 2en1\* / Longue brosse de rotation 2 en 1\* / Mini turbobrosse\* / Suceur flexible coins profonds\***

Vous pouvez insérer l'accessoire directement dans l'entrée d'air de l'aspiette ou dans un côté du tube et entendre un déclic. **[5]**  
Seul le suceur plat et la brosse à dépeussier 2 en 1 peuvent être rangés sur la station d'ancrage.

#### **Sac accessoire\* :**

Des accessoires supplémentaires peuvent être rangés dans le sac accessoire.

**NOTE** : La mini turbobrosse est idéale pour le nettoyage en profondeur des surfaces textiles (c.-à-d. les canapés) et pour le retrait de poils d'animaux domestiques. Faites-le avancer et reculer de façon régulière. Après l'utilisation, veuillez retirer les cheveux/fils rassemblés sur la brosse à l'aide de ciseaux, si nécessaire.

**REMARQUE** : Le suceur flexible coins profonds est idéal pour le nettoyage des endroits difficilement accessibles et sous les meubles.

#### **Outil Sommet\* / Outil de radiateur\* / Brosse de nettoyage soigné\***

Ces accessoires doivent être assemblés avec l'adaptateur d'accessoire pour être utilisés.

Vous pouvez insérer l'accessoire directement dans l'entrée d'air de l'aspiette ou dans un côté du tube et entendre un déclic.

**REMARQUE** : L'outil Sommet peut facilement nettoyer les endroits élevés et difficilement accessibles et les surfaces délicates sans les égratigner.

**REMARQUE** : L'outil de radiateur est idéal pour nettoyer à l'intérieur et autour des meubles, radiateurs, canapés, stores et plus.

**REMARQUE** : La brosse de nettoyage soigné est utile pour nettoyer les espaces étroits sans égratigner les surfaces.

**IMPORTANT** : Après chaque utilisation du produit, veuillez vous assurer de faire avancer le commutateur d'arrêt/de démarrage à la position déverrouillée. Ne pas respecter cette instruction peut entraîner la réduction de la durée de vie ou la défaillance de la batterie.

## ENTRETIEN DE L'ASPIRATEUR

### **Vidage du bac à poussière**

1. Appuyez sur le bouton de déverrouillage de l'accessoire et retirez le tube. **[4]**
2. Enfoncez le bouton de vidage du bac à poussière pour relâcher le volet du bac et videz son contenu. **[6]**
3. Fermez le volet du bac à poussière ; vous entendrez un déclic une fois complètement verrouillé.

**REMARQUE** : Il est recommandé de vider le bac à poussière après chaque usage ou lorsque la poussière atteint la ligne de remplissage maximale.

### **Nettoyez le bac à poussière et le filtre.**

1. Appuyez sur le bouton de déverrouillage de l'accessoire et retirez le tube. **[4]**
2. Appuyez sur le bouton de vidage du bac à poussière pour ouvrir le volet du bac et videz-le. **[6]**
3. Appuyez sur le bouton de vidage du bac à poussière et tirez également le bac à poussière vers le bas et vers l'extérieur. **[7]**
4. Tournez le filtre à mailles dans le sens antihoraire pour aligner la flèche de repère, puis il peut être retiré de l'aspirateur. **[8]**
5. Tournez le séparateur de cyclone dans le sens antihoraire, alignez la flèche de repère, puis il peut être retiré de l'aspirateur. **[8]**
6. Appuyez sur les deux boutons de déverrouillage du filtre d'évacuation en même temps, puis retirez le filtre d'évacuation. **[9]**
7. Lavez le filtre d'évacuation dans de l'eau tiède et laissez-le sécher pendant 24 heures. Remontez-le quand il est complètement sec et replacez-le sur le produit. **[10] [11]**
8. Lavez le bac à poussière/filtre à mailles/séparateur de cyclone à l'eau tiède. Assurez-vous qu'il est complètement sec avant de le remettre dans le corps principal. **[10]**
9. Remontez l'aspiette, puis fixez-la à la station d'ancrage. **[12]**

\* Sur certains modèles uniquement

**REMARQUE :** N'utilisez pas d'eau chaude ou de détergents pour laver les filtres d'évacuation. Dans le cas peu probable où les filtres d'évacuation seraient endommagés, remplacez-les par des filtres de la marque Candy. Ne tentez pas d'utiliser le produit sans avoir monté le filtre.

**IMPORTANT :** Pour des performances optimales, conservez toujours le filtre à mailles propre. Nous recommandons que le filtre soit lavé au moins une fois par mois.

### Changement et nettoyage de la brosse rotative

**IMPORTANT :** Arrêtez toujours l'appareil avant de changer ou de nettoyer la brosse rotative.

1. Retirez la brosse électrique du tube et coulissez le bouton de la brosse rotative vers l'avant pour retirer la brosse rotative. **[13]**
2. Retirez les débris de la brosse rotative ou si cela n'est pas satisfaisant, vous pouvez la remplacer.
3. Lorsque vous remettez la brosse rotative, veuillez remarquer qu'elle ne peut être fixée que dans un sens. Pour la remettre, coulissez le bouton de déverrouillage de la brosse rotative vers l'extérieur et placez la brosse rotative à la bonne position, puis relâchez le bouton ; il se verrouillera automatiquement.

### Remplacement des batteries

Cet aspirateur est équipé d'un bloc batterie Lithium ion rechargeable qui est remplaçable.

**MISE EN GARDE :** Utilisez uniquement les pièces de rechange approuvées pour votre aspirateur. L'utilisation de pièces non approuvées par Candy est dangereuse et invalidera votre garantie.

**MISE EN GARDE :** N'essayez pas d'ouvrir le bloc batterie pour le réparer vous-même.

1. Tirez sur le bouton de déverrouillage du bloc batterie ; le bloc batterie ressortira sur une petite distance de manière automatique. **[14a]**
2. Tirez lentement le bloc batterie de la fente. **[14b]**
3. Enlevez l'ancien bloc batterie et remplacez-le par un nouveau.
4. Mettez les batteries à la poubelle, dans un endroit sûr. Des batteries usées doivent être amenées à un point de recyclage et non pas être éliminées avec les ordures ménagères.

## DEPANNAGE

Si vous avez des problèmes avec votre nettoyeur, suivez cette simple liste de vérification avant d'appeler le service clientèle Candy :

- A. Le nettoyeur ne s'allume pas.**  
Vérifiez que le nettoyeur est chargé.
- B. L'aspirateur arrête de fonctionner ou l'agitateur ne tourne pas.**  
Vérifiez s'il y a une obstruction dans l'agitateur, dégagez-la et assurez-vous que le levier du mode continu est arrêté. Une fois que cela est fait, appuyez simplement sur le bouton de marche/d'arrêt et le produit redémarrera après quelques secondes.
- C. Aspiration insuffisante ou pas d'aspiration du tout**  
Videz le bac à poussière et nettoyez le filtre à mailles et le séparateur de cyclone.  
Enlevez la brosse et vérifiez qu'il n'y a pas de blocages dans les conduites.
- D. Les batteries ne peuvent pas se charger.**  
Cela peut être dû à de très longues périodes de stockage (plus de 6 mois).  
Contactez le service clientèle Candy pour effectuer le changement de batterie.  
Si le problème persiste, contactez le service clientèle Candy.

## PIÈCES DÉTACHÉES ET CONSOMMABLES Candy

Toujours remplacer les pièces par des pièces détachées de la marque Candy. Celles-ci sont disponibles auprès de votre revendeur Candy. Lors de la commande de pièces, veuillez toujours préciser le numéro de votre modèle.

## VOTRE GARANTIE

Les conditions de garantie de cet appareil sont définies par notre représentant dans le pays où il est vendu et peuvent être obtenues auprès de votre revendeur. Les détails concernant ces conditions peuvent être obtenues auprès du revendeur auprès duquel l'appareil a été acheté. La facture d'achat ou le reçu doivent être présentés pour toutes réclamations relevant des conditions de cette garantie.

Ces conditions peuvent être modifiées sans préavis.

## HINWEISE FÜR DIE SICHERE BENUTZUNG

Dieses Gerät ist nur zum Gebrauch im Haushalt und nicht für gewerbliche Zwecke bestimmt. Sie sollten das Gerät ausschließlich gemäß den Angaben in dieser Bedienungsanleitung verwenden. Vor dem Gebrauch des Gerätes muss die vorliegende Bedienungsanleitung vollständig gelesen und verstanden worden sein.

Schalten Sie das Gerät immer aus und ziehen den Stecker des Ladegerätes, bevor Sie das Gerät reinigen oder irgendwelche Wartungsarbeiten durchführen.

Dieses Gerät darf von Kindern ab 8 Jahren, sowie körperlich, geistig oder sensorisch behinderten Personen bzw. Personen ohne Erfahrung und Kenntnisse im Gebrauch nur unter Aufsicht oder unter Anleitung für die sichere Benutzung und den damit verbundenen Gefahren benutzt werden. Kinder sollten nicht unbeaufsichtigt mit dem Gerät spielen. Reinigungs- und Wartungsarbeiten dürfen von Kindern nur unter Aufsicht ausgeführt werden.

Ist das Netzkabel beschädigt, darf das Gerät NICHT mehr benutzt werden. Im Falle eines Defektes, darf das Netzkabel nur durch einen autorisierten Candy-Kundendiensttechniker ausgetauscht werden.

Hände, Füße, lose Kleidung und Haare von den rotierenden Bürsten fernhalten.

Verwenden Sie nur das Originalladegerät, das mit dem Gerät geliefert wurde.

Stellen Sie sicher, dass die Versorgungsspannung mit der auf dem Ladegerät angegebenen Spannung übereinstimmt.

Dieses Haushaltsgerät von Candy wird mit einem schutzisolierten Batterieladegerät geliefert, welches ausschließlich für 220-230 V (GB 240 V) Steckdosen geeignet ist.

Stecken Sie das Netzteil in eine geeignete Steckdose und schließen Sie den Stecker am Gerät an. **[2]**

Zum Aufladen muss der Ein-/Aus-Schalter des Gerätes auf AUS geschaltet werden.

Laden Sie die Akkus des Gerätes vor der ersten Benutzung mindestens 6 Stunden lang auf. Die LED-Ladeanzeige **[H]** leuchtet während des Ladevorgangs rot und bei voller Aufladung blau.

Schließen Sie das Gerät nach der Benutzung wieder an das Netzteil an um die Akkus wieder aufzuladen.

Akkus niemals bei Temperaturen über 37°C oder unter 0°C aufladen!

Es ist normal, dass sich das Ladegerät während des Ladevorgangs erwärmt.

Ziehen Sie den Netzstecker des Ladegerätes NIEMALS durch Ziehen am Kabel heraus.

Ziehen Sie im Fall einer längeren Abwesenheit, z.B. Urlaub usw. den Stecker des Ladegerätes aus der Steckdose. Laden Sie nach einer längeren Zeit der Lagerung/Nichtbenutzung das Gerät vor der erneuten Benutzung wieder komplett auf, da sich die Akkus von selber entladen können.

Wenn das Gerät entsorgt wird, müssen zuvor die Akkus entfernt werden. Das Gerät muss von der Stromnetz getrennt sein, wenn die Akkus entnommen werden. Entsorgen Sie die Akkus ordnungsgemäß. Lassen Sie das Gerät laufen, bis die Akkus leer sind und es von selber stoppt. Gebrauchte Akkus sollten zum Recycling zurückgegeben und nicht mit dem Hausmüll entsorgt werden. Um die Akkus herauszunehmen, wenden Sie sich bitte an das Candy-Kundendienst oder führen Sie folgende Schritte aus.

**WICHTIG:** Entladen Sie die Akkus vor dem Herausnehmen immer ganz.

Lassen Sie dafür das Gerät laufen, bis die Akkus vollständig entladen sind.

Ziehen Sie den Stecker des Ladegeräts aus dem Gerät.

Ziehen Sie die Akku-Freigabetaste zurück. Dadurch wird der Akku automatisch etwas herausgedrückt. **[14a]**

Ziehen Sie den Akku langsam aus dem Steckplatz. **[14b]**

**Hinweis:** Sollten Sie irgendwelche Schwierigkeiten beim Auseinandernehmen des Gerätes haben oder detailliertere Informationen zur Behandlung, Reparatur oder zum Recycling des Geräts benötigen, kontaktieren Sie bitte Ihre Stadtverwaltung oder den lokalen Entsorgungsdienst für Haushaltsabfälle.

Verwenden Sie nur Zubehör, Verbrauchsmaterial oder Ersatzteile, die von Candy empfohlen oder geliefert werden.

**Statische Aufladung:** Manche Teppiche können die Bildung statischer Elektrizität verursachen. Diese ist jedoch sehr gering und bei Entladung nicht gesundheitsschädlich.

Benutzen Sie das Gerät nicht im Freien, auf nassen Oberflächen oder zur Aufnahme von feuchtem Schmutz.

Vermeiden Sie es, harte oder scharfe Gegenstände, Streichhölzer, heiße Asche, Zigarettenkippen oder Ähnliches aufzusaugen. Niemals entzündliche Flüssigkeiten, Reinigungsmittel, Aerosole oder deren Dämpfe auf das Gerät sprühen oder damit aufsaugen.

Während des Betriebs nicht über das Netzkabel fahren. Nicht am Kabel ziehen, um den Gerätestecker aus der Steckdose zu ziehen. Stellen Sie die Verwendung des Gerätes oder des Ladegerätes



ein, wenn ein Defekt vermutet wird.

**Candy-Kundendienst:** Um auf Dauer den sicheren und effizienten Betrieb dieses Gerätes zu gewährleisten, empfehlen wir, Wartungs- und Reparaturarbeiten ausschließlich von einem zugelassenen Candy-Kundendiensttechniker durchführen zu lassen.

Benutzen Sie das Gerät nicht zur Reinigung von Menschen oder Tieren.

Ersetzen Sie die Akkus nicht durch Einwegbatterien.

#### Umweltschutz:

Dieses Elektrohaushaltsgerät ist entsprechend der EU-Richtlinie 2011/65/EC über Elektro- und Elektronik-Altgeräte (WEEE) gekennzeichnet. Durch die sichere und umweltgerechte Entsorgung dieses Produkts tragen Sie dazu bei, mögliche negative Auswirkungen auf die Umwelt und die Gesundheit des Menschen zu verhindern. Das am Produkt angebrachte Symbol gibt an, dass dieses Produkt nicht als Hausmüll behandelt werden darf, sondern an einer entsprechenden Sammelstelle für das Recycling von elektrischen und elektronischen Geräten zu entsorgen ist. Die Entsorgung ist in Übereinstimmung mit allen geltenden Vorschriften für die umweltgerechte Abfallentsorgung vorzunehmen. Ausführlichere Informationen über die Müllbehandlung und das Recycling dieses Produktes erhalten Sie von der zuständigen Umweltbehörde, der Müllentsorgungstelle Ihrer Kommune oder dem Händler, bei dem Sie das Produkt erworben haben.



Dieses Gerät erfüllt die Europäischen Richtlinien 2014/35/EG, 2014/30/EG und 2011/65/EG.

CANDY Hoover GROUP S.r.l. Via Privata Eden Fumagalli, 20861 Brugherio (MB) Italy

### PRODUKTBESTANDTEILE

- |                                     |                                |
|-------------------------------------|--------------------------------|
| A. Wandhalterung *                  | Q. Hauptschalter               |
| B. 2in1-Möbelpinsel *               | R. Schalthebel                 |
| C. Bürstwalzen-Freigabetaste        | S. Akku                        |
| D. Angetriebene Bodendüse           | T. Abluftfilter                |
| E. Düsen-LED-Leuchte *              | U. Schaumstofffilter           |
| F. Rohr                             | V. Zyklonabscheider            |
| G. Zubehör-Freigabetaste            | W. Löseknopf für Staubbehälter |
| H. Handgerät-LED-Leuchte            | X. Akku-Freigabetaste          |
| I. Akkuhandstaubsaugereinheit       | Y. Miniturbodüse *             |
| J. Fugendüse *                      | Z. Zubehöradapter *            |
| K. Schraubstecker *                 | AA. Höhenreinigungsbürste *    |
| L. Lange 2in1-Rotationsbürste *     | BB. Heizkörperbürste *         |
| M. Ladegerät                        | CC. Tiefenreinigungsbürste*    |
| N. Staubfangteller-Entleerungstaste | DD. Lange, flexible Fugendüse* |
| O. Staubbehälter                    | EE. Zubehörtsache*             |
| P. Abluftfilter-Freigabetaste       |                                |

### VORBEREITUNG DES STAUBSAUGERS

1. Befestigen Sie die Dockingstation mit den mitgelieferten Schrauben und Dübeln an der Wand.
2. Schieben Sie den Düsenkopf auf ein Ende des Rohres bis Sie ein „Klicken“ hören. **[1A]**
3. Schieben Sie das andere Ende des Rohres in die Handeinheit bis Sie ein „Klicken“ hören. **[1B]**
4. Um das Gerät vollständig aufzuladen, stecken Sie den Stecker des Ladegeräts in das Gerät. Das dauert etwa 6 Stunden. **[2]**

**HINWEIS:** Zum Abnehmen der Bodendüse drücken Sie auf die Düsenfreigabetaste und ziehen diese ab.

**HINWEIS:** Verwenden Sie zum Aufladen nur das mit dem Gerät mitgelieferte Ladegerät.

**WICHTIG:** Zum Aufladen muss der Ein/Aus-Schalter des Staubsaugers auf die Position AUS geschaltet werden.

Es ist normal, dass sich das Ladegerät während des Ladevorgangs erwärmt.

### GEBRAUCH DES GERÄTES

#### Sicherheitsschutzsystem

Um zu gewährleisten, dass die Zuverlässigkeit des Geräts bei Gebrauch unter schwierigen Bedingungen nicht beeinträchtigt wird, wurde das Gerät mit einem integrierten Sicherheitsschutzsystem ausgestattet.

\* Geräteausstattung ist modellabhängig

**HINWEIS:** Das Sicherheitssystem wird ausgelöst wenn die Bürstwalze blockiert oder verstopft ist. Einmal ausgelöst, hört die Bürstwalze auf zu rotieren und die blaue LED auf der Handeinheit leuchtet rot auf und beginnt zu blinken.

Wenn dies geschieht, schalten Sie einfach Ihr Gerät aus und beseitigen Sie das Hindernis an der Bürstwalze. Um weiter zu reinigen, drücken Sie die Ein-/Aus-Taste und das Gerät startet wieder im Normalbetrieb.

Es gibt zwei Arbeitsweisen:

• **VORÜBERGEHENDER GEBRAUCH:** Das Gerät startet, wenn Sie den Ein/Aus-Schalter drücken und stoppt, wenn Sie ihn wieder losgelassen. [3A]

• **FORTGESETZTER GEBRAUCH:** Um den Dauerbetrieb zu aktivieren, können Sie den Schalthebel nach hinten ziehen und einrasten lassen. Um den Dauerbetrieb zu deaktivieren, drücken Sie den Schalthebel nach vorne. [3B]

**Ladeanzeige:** Die LED-Leuchte der Handeinheit leuchtet während des Aufladens ununterbrochen rot und leuchtet blau, wenn der Akku vollständig geladen ist.

**Entladeanzeige:** Wenn die Batterien entladen werden, leuchten die LED-Leuchte auf der Handeinheit und auf der Düse blau. Die LED-Leuchte der Handeinheit blinkt, wenn die Batteriekapazität weniger als 5 % beträgt.

**Fugendüse / 2in1-Möbelpinsel\* / Lange rotierende 2in1-Bürste\* / Miniturbodüse\* / Lange, flexible Fugendüse\***

Sie können das Zubehör direkt in den Lufteinlass der Handeinheit oder auf eine Seite des Rohres stecken. Wenn es einrastet werden Sie ein „Klicken“ hören. [5]

Auf der Wandhalterung können nur die Fugendüse und der 2-in-1-Möbelpinsel aufbewahrt werden.

**Zubehörtasche\*:**

Alles weitere Zubehör kann in der Zubehörtasche aufbewahrt werden.

**HINWEIS:** Die Mini Turbo-Düse ist ideal für die tiefe Reinigung von Textiloberflächen (z. B. Sofas) und zum Entfernen von Tierhaaren. Bewegen Sie ihn kontinuierlich rückwärts und vorwärts. Entfernen Sie nach dem Gebrauch auf der Bürste angesammelte Haare/Fäden nach Bedarf mit einer Schere.

**HINWEIS:** Die lange, flexible Fugendüse ist ideal für die Reinigung von schwer erreichbaren Bereichen und unter Möbeln.

**Höhenreinigungsbürste\* / Heizkörperbürste\* / Tiefenreinigungsbürste\***

Diese Zubehörbürsten müssen für den Gebrauch am Zubehöradapter befestigt werden.

Sie können den Zubehöradapter direkt in den Lufteinlass der Handeinheit oder auf ein Ende des Rohres stecken. Wenn er einrastet, werden Sie ein „Klicken“ hören.

**HINWEIS:** Mit der Höhenreinigungsbürste können Sie einfach in der Höhe und schwer erreichbare Bereiche, sowie empfindliche Oberflächen reinigen, ohne Kratzer zu hinterlassen.

**HINWEIS:** Die Heizkörperbürste ist ideal für die Reinigung von Heizkörpern, Sofas, Jalousien, das Schrankinnere, um den Schrank herum und vieles mehr.

**HINWEIS:** Die Tiefenreinigungsbürste ist hilfreich bei der Reinigung von engen Räumen, ohne dabei die Oberflächen zu zerkratzen.

**WICHTIG:** Achten Sie nach jedem Gebrauch des Geräts darauf, dass der Schalthebel nach vorne in die entriegelte Position gedrückt wird. Andernfalls kann es zu einer Verringerung der Batterielebensdauer oder zu einem Ausfall kommen.

## WARTUNG DES GERÄTES

### Leeren des Staubbehälters

1. Drücken Sie die Zubehör-Freigabetaste und nehmen Sie das Rohr ab. [4]
2. Drücken Sie die Staubfangteller-Entleerungstaste nach unten, um die Behälterklappe zu entriegeln und den Behälter zu entleeren. [6]
3. Schließen Sie die Staubfangtellerklappe. Sie werden ein Klicken hören, wenn diese vollständig verschlossen ist.

**HINWEIS:** Es wird empfohlen den Staubfangteller nach jedem Gebrauch, oder wenn der Staub bis zur maximalen Fülllinie reicht, zu entleeren.

### Reinigen Sie den Staubbehälter und den Filter.

1. Drücken Sie die Zubehör-Freigabetaste und nehmen Sie das Rohr ab. [4]
2. Drücken Sie auf die Staubfangteller-Entleerungstaste, um die Behälterklappe zu öffnen und den Behälter zu entleeren. [6]
3. Drücken Sie die Staubfangteller-Freigabetaste und ziehen Sie den Staubfangteller nach unten und außen. [7]
4. Drehen Sie den Schaumstofffilter entgegen dem Uhrzeigersinn, um die Pfeilmarkierung auszurichten. Danach dann kann er aus dem Staubsauger gezogen werden. [8]
5. Drehen Sie den Zyklonabscheider entgegen dem Uhrzeigersinn, um die Pfeilmarkierung auszurichten. Danach dann kann er aus dem Staubsauger gezogen werden. [8]
6. Drücken Sie die beiden Abluftfilter-Freigabetasten gleichzeitig und entfernen Sie danach den Abluftfilter. [9]
7. Waschen Sie den Abluftfilter mit lauwarmem Wasser und lassen Sie ihn 24 Stunden lang trocknen. Setzen Sie den Filter, nachdem er vollständig getrocknet ist, wieder in das Gerät ein. [10][11]
8. Waschen Sie den Staubfangteller/Netzfilter/Zyklonabscheider mit lauwarmem Wasser. Vergewissern Sie sich, dass die Teile vollständig getrocknet sind, bevor Sie sie wieder in den Gerätekorpus einsetzen. [10]

\* Geräteausstattung ist modellabhängig

9. Bauen Sie die Handeinheit wieder zusammen und befestigen Sie diese an der Wandhalterung. [12]

**HINWEIS:** Verwenden Sie kein heißes Wasser oder Reinigungsmittel zum Reinigen des Abluftfilters. Sollte einer der Abluftfilter beschädigt sein, tauschen Sie ihn nur gegen einen Candy-Originalfilter aus. Versuchen Sie nicht, das Gerät ohne eingesetzten Filter zu benutzen.

**WICHTIG:** Halten Sie den Filter für optimale Leistung immer sauber. Wir empfehlen, den Filter je nach Nutzungshäufigkeit min. einmal pro Monat zu reinigen.

### Bürstwalze austauschen und reinigen

**WICHTIG:** Schalten Sie vor einem Austausch oder Reinigen der Bürstwalze den Staubsauger immer aus.

1. Nehmen Sie die Turbobodendüse vom Rohr ab und schieben Sie die Bürstwalzen-Freigabetaste nach außen, um die Bürstwalze herauszunehmen. [13]
2. Entfernen Sie alle Verschmutzungen von der Bürstwalze oder, falls dies nicht zufriedenstellend ist, können Sie diese ersetzen.
3. Achten Sie beim Wiedereinbau der Bürstwalze darauf, dass sie nur in einer Richtung eingesetzt werden kann. Zum Einbau der Bürstwalze schieben Sie die Freigabetaste nach außen. Setzen Sie die Bürstwalze in der richtigen Position ein und lassen Sie die Freigabetaste los. Sie wird automatisch einrasten.

### Batterien auswechseln

Dieser Staubsauger ist mit einem wiederaufladbaren, austauschbaren Lithium-Ionen-Akku ausgestattet.

**WARNUNG:** Verwenden Sie nur Candy Originalersatzteile für Ihren Staubsauger. Das Verwenden von Teilen, die nicht von Candy zugelassen wurden, ist gefährlich und führt eventuell dazu, dass Ihre Garantie erlischt.

**WARNUNG:** Versuchen Sie nicht den Akku zu öffnen und selbst zu reparieren.

1. Ziehen Sie die Akku-Freigabetaste zurück. Dadurch wird der Akku automatisch etwas herausgedrückt. [14a]

2. Ziehen Sie den Akku langsam aus dem Steckplatz. [14b]

3. Entfernen Sie die alten Batterien und ersetzen sie durch neue Batterien.

4. Entsorgen Sie die Akkus ordnungsgemäß. Gebrauchte Akkus sollten zum Recycling zurückgegeben und nicht mit dem Hausmüll entsorgt werden.

## FEHLERBEHEBUNG

Falls Sie ein Problem mit Ihrem Gerät haben, gehen Sie die folgende Checkliste bitte kurz durch, bevor Sie den Candy-Kundendienst kontaktieren:

- A. Das Gerät lässt sich nicht einschalten.**  
Überprüfen Sie, ob die Akkus aufgeladen sind.
- B. Der Staubsauger funktioniert nicht mehr oder die Bürstwalze dreht sich nicht.**  
Überprüfen Sie, ob sich in der Bürstwalze ein Hindernis befindet, reinigen Sie diese und stellen Sie sicher, dass der Hebel für Dauerbetrieb ausgeschaltet ist. Drücken Sie danach einfach die Ein/Aus-Taste, damit das Gerät wird nach einigen Sekunden neu gestartet wird.
- C. Niedrige Saugleistung oder das Gerät saugt überhaupt nichts an.**  
Entleeren Sie den Staubfangteller und waschen Sie den Schaumstofffilter und den Zyklonabscheider.  
Entfernen Sie die Düse und überprüfen Sie diese auf Verstopfungen.
- D. Die Akkus können nicht aufgeladen werden.**  
Dies ist nach einem langen Zeitraum (über ein halbes Jahr) der Nichtbenutzung/Lagerung möglich.  
Wenden Sie sich bitte an den Candy-Kundendienst, um einen Austausch der Akkus zu veranlassen.  
Wenn das Problem weiterhin besteht, wenden Sie sich bitte an den Candy-Kundendienst.

## Candy ORIGINAL-ERSATZTEILE UND VERBRAUCHSARTIKEL

Verwenden Sie stets Originalersatzteile von Candy. Diese sind über den Candy-Kundendienst erhältlich. Geben Sie bei der Bestellung von Ersatzteilen bitte stets die komplette 16stellige Artikelnummer (Typenplakette auf der Rückseite des Gerätes) Ihres Gerätemodells an.

## GARANTIEERKLÄRUNG

Die Garantiebestimmungen für dieses Gerät entsprechen den Richtlinien des Landes, in dem Sie das Gerät erworben haben. Weitere Einzelheiten dazu erhalten Sie vom Händler, bei dem Sie das Gerät erworben haben oder aus dem roten Garantieheft, das der Verpackung beiliegt. Bitte bewahren Sie den Kaufbeleg sorgfältig auf, denn er wird für eventuell auftretende Garantieansprüche benötigt.

Änderungen vorbehalten.

## ISTRUZIONI PER UN USO SICURO

Questo apparecchio deve essere utilizzato esclusivamente in ambito domestico per interventi di pulizia, secondo le istruzioni riportate nel presente documento. Accertarsi di aver compreso le istruzioni prima di mettere in funzione l'apparecchio.

Prima di procedere alla pulizia dell'apparecchio o effettuare qualsiasi operazione di manutenzione, spegnerlo sempre e rimuovere il caricatore dalla presa.

Questo elettrodomestico non è destinato a essere utilizzato da persone dalle ridotte capacità fisiche, sensoriali o mentali (bambini inclusi), senza una adeguata assistenza o controllo da parte di una persona adulta responsabile della loro sicurezza. Controllare che i bambini non giochino con l'apparecchio. Pulizia e manutenzione non possono essere eseguite da bambini senza sorveglianza da parte di una persona responsabile.

Se il cavo di alimentazione è danneggiato, interrompere immediatamente l'utilizzo dell'apparecchio. Per evitare pericoli, il cavo di alimentazione dovrà essere sostituito da un tecnico del servizio assistenza autorizzato Candy.

Tenere le mani, i piedi, i capi di abbigliamento non atillati e i capelli lontani dalle spazzole rotanti.

Per ricaricare l'apparecchio, usare solo il caricatore in dotazione. Controllare che i dati indicati sul caricatore corrispondano alla vostra tensione di alimentazione.

Questo prodotto Candy è dotato di un caricabatteria doppio isolato che può essere collegato unicamente a una presa 230V (UK 240V). Inserire la spina del caricatore in una presa adatta e collegare il connettore jack del caricatore all'apparecchio. [2]

Durante la carica, la leva dell'interruttore di accensione/spegnimento (On/Off) dell'apparecchio deve trovarsi in posizione Off.

Al primo utilizzo caricare l'apparecchio per almeno 6 ore. Durante la ricarica, l'indicatore LED [H] si illumina di colore rosso, mentre, una volta terminata, sarà illuminato di colore blu.

Dopo l'uso, ricollegare l'apparecchio al caricatore per ricaricare le batterie.

Mai caricare le batterie a temperature superiori ai 37 °C o inferiori a 0 °C.

È normale che il caricatore si scaldi mentre lavora.

Non scollegare il caricatore tirando il cavo.

Scollegare il caricatore in caso di assenza prolungata (ferie, ecc.). Dopo lunghi periodi di inutilizzo ricaricare l'apparecchio perchè le batterie potrebbero essersi scaricate automaticamente.

Se l'apparecchio è da smaltire, le batterie devono prima essere rimosse. Rimuovere la batteria solo quando l'apparecchio è scollegato dalla rete di alimentazione. Smaltire le batterie in sicurezza. Far funzionare l'apparecchio fino al suo arresto ed assicurarsi che le batterie siano completamente scariche. Le batterie usate devono essere riposte in un centro di riciclaggio e non smaltite con i rifiuti domestici. Per rimuovere le batterie, si prega di contattare il Centro Servizi per Assistenza Clienti Candy o procedere in base alle seguenti istruzioni.

**IMPORTANTE:** Scaricare sempre completamente le batterie prima della rimozione.

Procedere con la pulizia fino a quando le batterie sono completamente scariche.

Rimuovere il connettore jack per la ricarica dall'apparecchio.

Premere il pulsante di rilascio batteria che permetterà il rilascio della batteria. [14a]

Estrarre lentamente la batteria dal suo alloggiamento. [14b]

**Nota:** Se si riscontrano difficoltà a smantellare l'unità o per informazioni più dettagliate sul trattamento, recupero e riciclaggio di questo apparecchio, si prega di contattare l'ufficio comunale per il servizio smaltimento rifiuti.

Utilizzare solo accessori o parti di consumo e di ricambio consigliati o forniti da Candy.

**Elettricità statica:** Alcuni tappeti possono produrre un piccolo accumulo di elettricità statica. Le cariche di elettricità statica non sono pericolose per la salute.

Non utilizzare l'apparecchio all'aperto, su superfici bagnate o per aspirare liquidi.

Non aspirare oggetti solidi o appuntiti, fiammiferi, ceneri calde, mozziconi di sigaretta o similari. Non vaporizzare o aspirare liquidi infiammabili, detergenti, aerosol o i loro vapori.

Non calpestare il cavo di alimentazione durante l'utilizzo dell'apparecchio o scollegare la spina dalla presa tirando il cavo di alimentazione. Non continuare a utilizzare l'apparecchio o il caricatore in caso di presunto guasto.

**Assistenza Candy:** per garantire un funzionamento sempre sicuro ed efficiente dell'apparecchiatura, si consiglia di fare eseguire

eventuali interventi di assistenza o di riparazione dai tecnici del servizio assistenza autorizzato Candy.

Non utilizzare l'apparecchio per l'igiene della persona o degli animali.

Non sostituire le batterie con batterie non ricaricabili

#### Ambiente:

L'apparecchio è contrassegnato in conformità alla Direttiva Europea 2011/65/EC sulla gestione dei rifiuti da apparecchiature elettriche ed elettroniche. Garantendo il corretto smaltimento del prodotto, il cliente contribuisce alla salvaguardia della salute delle persone e alla protezione dell'ambiente che potrebbero altrimenti essere compromessi da uno smaltimento eseguito in maniera non idonea. Il simbolo apposto sul prodotto indica che lo stesso non può essere smaltito come i normali rifiuti domestici, bensì deve essere portato al punto di raccolta o al centro di riciclaggio delle apparecchiature elettriche ed elettroniche più vicino. Lo smaltimento deve essere eseguito in conformità alle normative locali vigenti per la salvaguardia dell'ambiente e lo smaltimento dei rifiuti. Per ulteriori informazioni sul trattamento, il recupero e il riciclaggio di questo prodotto, contattare l'unità territoriale competente per il servizio di smaltimento o il negozio in cui il prodotto è stato acquistato.



Questo prodotto è conforme alle Direttive Europee 2014/35/EU, 2014/30/EU e 2011/65/EU.

CANDY Hoover GROUP S.r.l. Via Privata Eden Fumagalli, 20861 Brugherio (MB) Italy

### COMPONENTI DELL'APPARECCHIO

- |  |   |
|--|---|
| A. Base di aggancio *                                  | Q. Interruttore On/Off                                  |
| B. Spazzola a pennello 2in1 *                          | R. Leva interruttore                                    |
| C. Pulsante di rilascio spazzola rotante               | S. Batteria   |
| D. Spazzola Elettrica                                  | T. Filtro in uscita                                     |
| E. Spia a LED della spazzola *                         | U. Filtro a rete  |
| F. Tubo  | V. Unità ciclonica                                      |
| G. Pulsante di rilascio accessori                      | W. Pulsante di sgancio della vaschetta raccogli-polvere |
| H. Spia a LED della pistola portatile                  | X. Pulsante di rilascio batteria                        |
| I. Unità portatile                                     | Y. Mini Turbospazzola *                                 |
| J. Bocchetta per fessure *                             | Z. Adattatore accessori *                               |
| K. Viti con tasselli *                                 | AA. Bocchetta per la pulizia di superfici alte *        |
| L. Spazzola a pennello rotante lunga 2in1 *            | BB. Bocchetta per radiatore *                           |
| M. Caricatore  | CC. Spazzola per una pulizia profonda*                  |
| N. Pulsante per svuotamento vaschetta raccogli-polvere | DD. Bocchetta flessibile lunga per fessure*             |
| O. Vaschetta raccogli-polvere                          | EE. Borsa accessori*                                    |
| P. Pulsante di rilascio filtro in uscita               |   |

### PREPARAZIONE DELL'APPARECCHIO

1. Fissare la base di aggancio al muro utilizzando le viti e i tasselli forniti.
2. Inserire la spazzola principale all'estremità del tubo fino a sentire un "click". **[1A]**
3. Inserire l'altra parte del tubo nella pistola portatile fino a sentire un "click". **[1B]**
4. Inserire il connettore jack del caricatore all'apparecchio per caricarlo completamente. Questo richiederà circa 6 ore. **[2]**

**NOTA:** Premere il pulsante di rilascio spazzola per rimuovere la spazzola e staccarla dal corpo principale dall'apparecchio.

**NOTA:** Per ricaricare l'apparecchio, usare solo il caricatore in dotazione.

**IMPORTANTE:** Durante la carica, la leva dell'interruttore di accensione/spengimento dell'apparecchio deve trovarsi in posizione OFF.

È normale che il caricatore si scaldi mentre lavora.

### UTILIZZO DELL'APPARECCHIO

#### Sistema di protezione

Al fine di salvaguardare l'affidabilità del prodotto quando utilizzato in condizioni non corrette, il prodotto ha un Sistema di protezione integrato.

\* Solo su alcuni modelli

**NOTA:** Il Sistema di protezione si attiva quando c'è un'ostruzione nella spazzola rotante che la blocca. Quando è attivato, la spazzola rotante si ferma e il Led Blu sull'unità portatile comincia a lampeggiare diventando rosso.

Se ciò dovesse accadere, spegnere semplicemente l'apparecchio e pulire la spazzola rotante dall'ostruzione. Per riprendere la pulizia, premere il pulsante on/off e l'apparecchio riprenderà a funzionare normalmente.

È possibile utilizzare l'apparecchio in due modalità di funzionamento:

- **MODALITÀ TEMPORANEA:** L'apparecchio sarà in funzione quando viene premuto l'interruttore on/off e si fermerà al rilascio. [3A]

- **MODALITÀ CONTINUA:** Per attivare la modalità continua basta tirare indietro la leva dell'interruttore che scatterà in posizione. Per disabilitare la modalità continua premere la leva dell'interruttore per riportarla avanti. [3B]

**Indicatore apparecchio carico:** Durante la ricarica, l'indicatore LED si illumina di colore rosso, mentre, una volta terminata, sarà illuminato di colore blu.

**Indicatore apparecchio scarico:** Quando le batterie sono scariche, entrambe le spie LED della pistola portatile e della spazzola sono blu. Quando la carica della batteria è inferiore al 5% la spia LED della pistola portatile lampeggia.

**Bocchetta per fessure / Spazzola a pennello 2in1\* / Spazzola a pennello rotante lunga 2in1\* / Mini Turbospazzola\* / Bocchetta flessibile lunga per fessure\***

È possibile inserire direttamente gli accessori nella bocchetta dell'aria dell'unità portatile o in un lato del tubo fino a sentire un "click". [5]

Solo la bocchetta per fessure e la spazzola a pennello 2 in 1 possono essere riposte sulla base di aggancio.

**Borsa accessori\*:**

Tutti gli altri accessori possono essere riposti nella apposita borsa.

**NOTA:** La Mini Turbospazzola è ideale per la pulizia profonda di tessuti (come ad esempio divani) e per rimuovere i peli degli animali domestici. Passarla avanti e indietro regolarmente. Dopo l'uso, prestare attenzione e se necessario, rimuovere con delle forbici eventuali capelli o fili aggrovigliati nella spazzola.

**NOTA:** La bocchetta flessibile lunga per fessure è ideale per la pulizia di aree di difficile accesso e sotto i mobili.

**Bocchetta per la pulizia di superfici alte\* / Bocchetta per radiatore\* / Spazzola per una pulizia profonda\***

Per utilizzare questi accessori è necessario assemblarli con l'adattatore accessori.

È possibile inserire direttamente gli accessori nella bocchetta dell'aria dell'unità portatile o in un lato del tubo fino a sentire un "click".

**NOTA:** La Bocchetta per la pulizia di aree in alto di difficile accesso è ideale per una facile pulizia di aree alte e difficoltose da raggiungere e di superfici delicate senza graffiare.

**NOTA:** La Bocchetta per radiatore è ideale per la pulizia intorno e nell'interno degli armadi, dei radiatori, dei divani, delle tende e molto altro ancora.

**NOTA:** La spazzola per pulizia profonda è utile per pulire in spazi ristretti senza graffiare le superfici.

**IMPORTANTE:** Dopo ogni utilizzo dell'apparecchio, assicurarsi che venga premuta in avanti la leva dell'interruttore per portarla nella posizione di sblocco. Se non lo si facesse si potrebbe danneggiare o compromettere la durata della batteria.

## MANUTENZIONE DELL'APPARECCHIO

### Svuotamento del contenitore raccogli polvere

1. Premere il pulsante di rilascio accessori e rimuovere il tubo. [4]
2. Premere il pulsante per lo svuotamento della vaschetta raccogli polvere per aprire lo sportello contenitore e svuotarne il contenuto. [6]

3. Chiudere lo sportello della vaschetta raccogli polvere, si udirà un "click" quando completamente bloccato.

**NOTA:** Si consiglia di svuotare la vaschetta raccogli polvere dopo ogni utilizzo o quando la polvere supera il livello di riempimento massimo.

### Pulizia del contenitore raccogli polvere e del filtro

1. Premere il pulsante di rilascio accessori e rimuovere il tubo. [4]
2. Premere il pulsante per lo svuotamento della vaschetta raccogli polvere per aprire lo sportello contenitore e svuotarne il contenuto. [6]
3. Premere il pulsante di rilascio dello sportello contenitore raccogli polvere e rimuovere lo sportello tirandolo in basso e all'esterno. [7]
4. Ruotare il filtro a rete in senso antiorario ed allinearli alla freccia disegnata, quindi estrarlo dall'apparecchio. [8]
5. Ruotare il separatore ciclonico in senso antiorario ed allinearli alla freccia disegnata ed estrarlo dall'apparecchio. [8]
6. Premere simultaneamente i due pulsanti di rilascio filtro in uscita e poi rimuoverlo. [9]
7. Lavare il filtro in uscita in acqua tiepida e lasciare asciugare per 24 ore. Una volta completamente asciutto, rimontarlo e riposizionarlo nell'apparecchio. [10] [11]
8. Lavare in acqua tiepida vaschetta raccogli polvere/ filtro a rete/ separatore ciclonico. Assicurarsi che siano completamente asciutti prima di riportarli nel corpo principale dell'apparecchio. [10]
9. Rimontare l'unità portatile e quindi appenderla alla base di aggancio. [12]

\* Solo su alcuni modelli

**NOTA:** Non utilizzare acqua bollente o detersivi durante la pulizia dei filtri in uscita. Se accidentalmente i filtri in uscita vengono danneggiati, sostituirli con ricambi originali Candy. Non utilizzare l'apparecchio senza aver montato il filtro.

**IMPORTANTE:** Per mantenere prestazioni ottimali, tenere sempre il filtro a rete pulito. Si raccomanda di lavare il filtro almeno una volta al mese.

#### Sostituzione e pulizia spazzola rotante

**IMPORTANTE:** Spegnerne sempre l'apparecchio prima di assemblare o pulire la spazzola rotante.

1. Rimuovere la spazzola elettrica dal tubo e far scorrere verso l'esterno il pulsante di rilascio della spazzola rotante per estrarla. [13]
2. Rimuovere tutto lo sporco dalla spazzola rotante o sostituirla se necessario.
3. Durante il rimontaggio della spazzola rotante ricordare che può essere assemblata in un solo verso. Per il rimontaggio, far scorrere verso l'esterno il pulsante di rilascio della spazzola rotante e riposizionarla correttamente, il pulsante di rilascio si bloccherà automaticamente.

#### Sostituzione delle batterie

L'apparecchio è dotato di un set di batterie ricaricabili agli ioni di litio che possono essere sostituite.

**ATTENZIONE:** Utilizzare solo parti di ricambio originali per il vostro apparecchio. L'uso di parti non originali Candy può risultare pericoloso e invalida la garanzia.

**ATTENZIONE:** Non tentare di aprire o riparare la batteria.

1. Tirare all'indietro il pulsante di rilascio batteria che farà spingere automaticamente fuori la batteria stessa. [14a]
2. Estrarre lentamente la batteria dal suo alloggiamento. [14b]
3. Estrarre la vecchia batteria e sostituirla con una nuova.
4. Smaltire le batterie in sicurezza. Le batterie usate devono essere riposte in un centro di riciclaggio e non smaltite con i rifiuti domestici.

### RISOLUZIONE DEI PROBLEMI

In caso di problemi con l'apparecchio, completare questa semplice checklist utente prima di chiamare il Centro per l'Assistenza Clienti Candy:

- A. L'apparecchio non si accende.**  
Controllare che l'apparecchio sia carico.
- B. L'apparecchio non funziona o la spazzola rotante non gira.**  
Controllare se c'è un'ostruzione nella spazzola rotante, rimuoverla, assicurandosi che la leva della modalità continua sia spenta. Quindi premere semplicemente l'interruttore On/Off e l'apparecchio riprenderà a funzionare dopo pochi secondi.
- C. Forza aspirante bassa o nulla**  
Svuotare la vaschetta raccogli-polvere, lavare il filtro a rete e l'unità ciclonica.  
Rimuovere la spazzola e controllare eventuali ostruzioni nel condotto.
- D. Le batterie non possono essere caricate.**  
Potrebbe essere a causa di lunghi periodi di conservazione (oltre un semestre).  
Contattare un Centro per l'Assistenza Clienti Candy per la sostituzione delle batterie.  
Se il problema persiste, contattare il Centro per l'Assistenza Clienti Candy più vicino.

### PARTI DI RICAMBIO E DI CONSUMO Candy

Utilizzare sempre parti di ricambio originali Candy, che è possibile acquistare dal distributore locale Candy o direttamente sul sito internet Candy. Quando si ordinano delle parti di ricambio, ricordarsi sempre di fornire il numero di modello dell'apparecchio utilizzato.

### REGOLAMENTO PER LA GARANZIA

Le condizioni di garanzia relative a questo apparecchio sono definite dal rappresentate Candy nel Paese di vendita. Per conoscere in dettaglio le condizioni, rivolgersi al distributore Candy presso il quale l'apparecchio è stato acquistato. Per ogni contestazione ai sensi dei termini della garanzia, è necessario mostrare la fattura o un documento di acquisto equipollente.

Queste condizioni potrebbero venire modificate senza obbligo di preavviso.



## INSTRUKCJE BEZPIECZNEGO UŻYTKOWANIA

Urządzenie to jest przeznaczone wyłącznie do użytku domowego w sposób opisany w niniejszej instrukcji użytkownika. Prosimy o dokładne zapoznanie się z instrukcją przed rozpoczęciem używania odkurzacza.

Należy zawsze wyłączyć i wyjąć ładowarkę z gniazdka przed przystąpieniem do czyszczenia urządzenia lub wykonaniem jakichkolwiek czynności konserwacyjnych.

Urządzenie mogą obsługiwać dzieci w wieku co najmniej 8 lat, osoby o ograniczonych zdolnościach fizycznych, sensorycznych lub mentalnych, a także osoby nieposiadające odpowiedniego doświadczenia oraz wiedzy, jedynie pod warunkiem że odbywać się będzie to pod nadzorem lub po przeszkoleniu na temat bezpiecznego użycia urządzenia oraz związanych z nim zagrożeń. Dzieci nie mogą bawić się urządzeniem. Urządzenia nie powinny czyścić ani konserwować dzieci bez nadzoru.

Jeśli przewód zasilający uległ uszkodzeniu, należy natychmiast zaprzestać korzystania z urządzenia. Ze względów bezpieczeństwa, przewód zasilający powinien zostać wymieniony przez serwisanta autoryzowanego punktu serwisowego firmy Candy.

Nie zbliżać rąk, stóp, luźnej odzieży ani włosów do obracających się szczotek.

Należy stosować wyłącznie ładowarkę dostarczoną wraz z urządzeniem.

Należy sprawdzić, czy napięcie zasilania w gniazdku jest zgodne z podanym na tabliczce znamionowej ładowarki.

Niniejsze urządzenie Candy zasilane jest podwójnie izolowaną ładowarką akumulatorów, która może być podłączana do gniazd 230V (UK 240V).

Podłączyć ładowarkę od odpowiedniego gniazdka, a przewód ładowarki do urządzenia. **[2]**

Podczas ładowania urządzenia dźwignia wyłącznika zasilania musi być w pozycji wyłączonej.

Przed pierwszym użyciem urządzenia należy ładować przez co najmniej 24 godziny. Podczas ładowania ledowy wskaźnik ładowania [H] będzie podświetlony na czerwono i zmieni kolor na niebieski, kiedy urządzenie będzie w pełni naładowane.

Po użyciu ponownie podłączyć urządzenie do ładowarki, aby doładować akumulator.

Nigdy nie ładować akumulatorów w temperaturze powyżej 37°C lub poniżej 0°C.

Nieznaczne nagrzewanie się ładowarki podczas ładowania jest normalnym zjawiskiem.

NIE wyjmować wtyczki ładowarki z gniazdka, ciągnąc za przewód zasilający.

W razie dłuższej nieobecności (urlop itp.) odłączyć ładowarkę od zasilania. Po dłuższej przerwie w eksploatacji urządzenie należy doładować przed użyciem, ponieważ bezczynność powoduje rozładowanie akumulatorów.

Jeżeli urządzenie ma być złomowane, należy z niego najpierw usunąć akumulatory. Podczas wyjmowania akumulatora urządzenie musi być odłączone od zasilania. Akumulatory należy utylizować w sposób bezpieczny dla środowiska. Włączyć urządzenie i pozwolić, aby pracowało aż do całkowitego wyczerpania akumulatorów. Zużyte akumulatory należy przekazać do recyklingu. Nie należy ich wyrzucać ze śmieciami domowymi. W celu wyjęcia akumulatorów należy skontaktować się z Centrum Serwisowym Candy lub postępować zgodnie z następującymi instrukcjami.

**WAŻNE:** Przed usunięciem należy całkowicie rozładować akumulatory.

Włączyć odkurzacz i pozwolić, aby pracował aż do pełnego wyczerpania akumulatorów.

Wyjąć wtyczkę przewodu ładowarki z urządzenia.

Przesunąć do tyłu przycisk zwalniający zestaw akumulatorów, a zestaw automatycznie nieco się wysunie. **[14a]**

Powoli wysunąć zestaw akumulatorów ze szczeliny. **[14b]**

**Uwaga:** W razie napotkania jakichkolwiek problemów z demontażem jednostki lub w razie konieczności uzyskania dodatkowych informacji na temat sposobu utylizacji, złomowania i recyklingu urządzenia należy skontaktować się z lokalnym urzędem gminy lub komunalnym zakładem utylizacji odpadów.

Należy korzystać wyłącznie z końcówek, materiałów eksploatacyjnych oraz części zamiennych zalecanych lub dostarczonych przez firmę Candy.

**Ładunki elektrostatyczne:** Odkurzanie niektórych dywanów może powodować niewielkie naelektryzowanie się urządzenia. Tego rodzaju ładunki elektrostatyczne nie stanowią zagrożenia dla zdrowia.

Nie używać urządzenia na zewnątrz domu, do odkurzania mokrych powierzchni ani do zbierania wody.

Nie wolno wciągać twardych lub ostrych przedmiotów, zapalek, gorącego popiołu, niedopałków papierosów ani innych podobnych przedmiotów. Nie spryskiwać łatwopalnymi cieczami, środkami czyszczącymi w aerozolu ani parą.

Nie stąpać po przewodzie zasilającym podczas korzystania z urządzenia i nie wyjmować wtyczki, ciągnąc za przewód zasilający. Nie wolno kontynuować eksploatacji uszkodzonego urządzenia lub ładowarki.

**Serwis firmy Candy:** Aby zapewnić bezpieczne i sprawne działanie tego urządzenia, zalecamy zlecanie prac serwisowych lub napraw wyłącznie serwisantom autoryzowanego punktu serwisowego firmy Candy.

Nie używać urządzenia do odkurzania ludzi lub zwierząt.

Nie wolno stosować jednorazowych baterii zamiast akumulatorów.

#### Ochrona środowiska:

Niniejsze urządzenie posiada oznaczenia zgodnie z Dyrektywą Europejską nr 2011/65/WE w sprawie zużytego sprzętu elektrycznego i elektrotechnicznego (WEEE). Zapewniając prawidłowe złomowanie niniejszego urządzenia, przyczyniają się Państwo do ograniczenia ryzyka wystąpienia negatywnego wpływu produktu na środowisko i zdrowie ludzi, które mogłoby zaistnieć w przypadku niewłaściwej utylizacji urządzenia. Symbol umieszczony na produkcie lub na dołączonych do niego dokumentach oznacza, że niniejszy produkt nie jest klasyfikowany jako odpad z gospodarstwa domowego. Urządzenie należy zdać w odpowiednim punkcie utylizacji w celu recyklingu komponentów elektrycznych i elektronicznych. Urządzenie należy złomować zgodnie z lokalnymi przepisami w sprawie utylizacji odpadów. Dodatkowe informacje na temat sposobu utylizacji, złomowania i recyklingu urządzenia można uzyskać w lokalnym urzędzie miejskim, w komunalnym zakładzie utylizacji odpadów lub w sklepie, w którym produkt został zakupiony.



Urządzenie spełnia wymogi dyrektyw europejskich 2014/35/WE, 2014/30/WE oraz 2011/65/WE.

CANDY Hoover GROUP S.r.l. Via Privata Eden Fumagalli, 20861 Brugherio (MB) Italy

### KOMPONENTY URZĄDZENIA

- |  |   |
|--|---|
| A. Stacja dokująca *                       | Q. Wyłącznik                                |
| B. Szczotka do kurzu 2 w 1 *               | R. Dźwignia wyłącznika                      |
| C. Przycisk zwolnienia szczotki obrotowej  | S. Zestaw akumulatorów                      |
| D. Szczotka elektryczna                    | T. Filtr wylotowy                           |
| E. Kontrolka ledowa szczotki *             | U. Filtr siatkowy                           |
| F. Rura                                    | V. Separator cyklonowy                      |
| G. Przycisk zwalniania akcesoriów          | W. Przycisk zwalniający pojemnik na kurz    |
| H. Kontrolka ledowa zespołu przenośnego    | X. Przycisk zwalniający zestaw akumulatorów |
| I. Zespół przenośny                        | Y. Dysza miniturbo *                        |
| J. Ssawka szczelinowa *                    | Z. Przejęciówka do akcesoriów *             |
| K. Kołki *                                 | AA. Szczotka do czyszczenia u góry *        |
| L. Długa szczotka obrotowa 2 w 1. *        | BB. Szczotka do kaloryferów *               |
| M. Ładowarka                               | CC. Szczotka do głębokiego czyszczenia*     |
| N. Przycisk opróżniania pojemnika na kurz. | DD. Długa elastyczna ssawka szczelinowa*    |
| O. Pojemnik na kurz                        | EE. Worek na akcesoria*                     |
| P. Przycisk zwalniający filtr wylotowy     |   |

### PRZYGOTOWYWANIE ODKURZACZA

1. Zamocować stację dokującą na ścianie za pomocą śrub i kołków dostarczonych w komplecie.
2. Włożyć końcówkę ssawki na rurę w taki sposób, aby zaskoczyła. **[1A]**
3. Włożyć drugi koniec rury do zestawu przenośnego w taki sposób, aby zaskoczył. **[1B]**
4. Aby naładować urządzenie do pełna, podłączyć wtyczkę przewodu ładowarki do urządzenia. Potrzeba to ok. 6 godzin. **[2]**

**UWAGA:** Aby wyjąć końcówkę, nacisnąć przycisk zwalniający końcówkę i wyciągnąć ją z obudowy odkurzacza.

**UWAGA:** Do ładowania należy stosować wyłącznie ładowarkę dostarczoną wraz z urządzeniem.

**WAŻNE:** Podczas ładowania odkurzacza dźwignia wyłącznika musi być w pozycji wyłączonej.

Nieznaczne nagrzewanie się ładowarki podczas ładowania jest normalnym zjawiskiem.

### KORZYSTANIE Z ODKURZACZA

#### System bezpieczeństwa

Produkt wyposażony jest zintegrowany system bezpieczeństwa, który gwarantuje niezawodność jego działania i chroni go przed użytkowaniem w zbyt trudnych warunkach.

\* Tylko w niektórych modelach

**UWAGA:** System zabezpieczający uruchomi się, jeżeli mieszadło jest zablokowane lub zamknięte. Po uruchomieniu mieszadło przestanie się obracać, a niebieska dioda LED na uchwycie zmieni kolor na czerwony i zacznie pulsować.

W takim przypadku należy wyłączyć urządzenie i wyciszyć zator na mieszadle. Aby zakończyć czyszczenie, należy nacisnąć przycisk ON/OFF; urządzenie wznowi pracę w normalnym trybie.

Dostępne są dwa tryby pracy:

- **TRYB TYMCZASOWY:** Urządzenie zacznie pracę po naciśnięciu wyłącznika i zakończy po jego zwolnieniu. **[3A]**
- **TRYB CIĄGŁY:** Aby włączyć tryb ciągły, należy przesunąć dźwignię wyłącznika do tyłu w taki sposób, aby zaskoczyła na miejsce. Aby wyłączyć tryb ciągły, należy przesunąć dźwignię wyłącznika do przodu. **[3B]**

**Informacja o ładowaniu:** Podczas ładowania ledowa kontrolka zestawu przenośnego będzie świecić na czerwono, a po całkowitym naładowaniu zmieni kolor na niebieski.

**Informacja o rozładowaniu:** Kiedy akumulatory są rozładowane, zarówno ledowa kontrolka zestawu przenośnego, jak i ledowa kontrolka szczotki świecą się na niebiesko. Ledowa kontrolka zestawu przenośnego będzie migać, kiedy poziom naładowania akumulatora spadnie poniżej 5%.

**Ssawka szczelinowa / Szczotka do kurzu 2 w 1\* / Długa szczotka obrotowa 2 w 1\* / Dysza miniturbo\* / Długa elastyczna ssawka szczelinowa\***

Aksesoria można włożyć bezpośrednio do wlotu powietrza zestawu przenośnego lub do jednego końca rury w taki sposób, aby zaskoczyły. **[5]**

W stacji dokującej można przechowywać jedynie ssawkę szczelinową oraz szczotkę do kurzu 2 w 1.

**Worek na akcesoria\*:**

Dodatkowe akcesoria można przechowywać w worku na akcesoria.

**UWAGA:** Szczotka miniturbo idealnie nadaje się do czyszczenia powierzchni tapicerowanych (np. sof) oraz do usuwania sierści zwierząt domowych. Miarowo przesuwaj do przodu i do tyłu. Po użyciu należy usunąć sierść/kłaczki ze szczotki. W razie potrzeby użyć do tego nożyczek.

**UWAGA:** Długa elastyczna ssawka szczelinowa idealnie nadaje się do czyszczenia trudnodostępnych powierzchni oraz pod meblami.

**Szczotka do czyszczenia w górę\* / Szczotka do kaloryferów\* / Szczotka do głębokiego czyszczenia\***

Aby założyć te akcesoria, należy skorzystać z przejściówki dla akcesoriów.

Przejściówkę dla akcesoriów można włożyć bezpośrednio we wlot powietrza w zestawie przenośnym lub w końcówkę rury w taki sposób, aby zaskoczyła.

**UWAGA:** Szczotka do czyszczenia w górę doskonale nadaje się do czyszczenia wysokich i trudnodostępnych miejsc, a także delikatnych powierzchni. Nie rysuje.

**UWAGA:** Szczotka do kaloryferów jest idealna do czyszczenia wnętrza oraz okolic szaf, kaloryferów, sof, żaluzji itp.

**UWAGA:** Szczotka do głębokiego czyszczenia służy do czyszczenia wąskich przestrzeni. Nie rysuje.

**WAŻNE:** Po każdym użyciu urządzenia należy zawsze przesunąć dźwignię wyłącznika do przodu do pozycji odblokowanej. Niewykonanie tego zalecenia może skutkować skróceniem żywotności akumulatora lub awarią.

## KONSERWACJA URZĄDZENIA

**Opróżnianie pojemnika na kurz**

1. Nacisnąć przycisk zwalnający akcesoria i wyjąć rurę. **[4]**
2. Nacisnąć przycisk opróżniania pojemnika na kurz, aby zwolnić kłapę pokrywy, aby opróżnić pojemnik. **[6]**
3. Zamknąć kłapę pojemnika na kurz. Kiedy zaskoczy, oznacza to, że jest prawidłowo zablokowana.

**UWAGA:** Zaleca się opróżnianie pojemnika na kurz po każdym użyciu oraz zawsze wtedy, kiedy kurz sięga linii poziomu maksymalnego napełnienia.

**Czyszczenie pojemnika na kurz i filtra**

1. Nacisnąć przycisk zwalnający akcesoria i wyjąć rurę. **[4]**
2. Nacisnąć przycisk opróżniania pojemnika na kurz, aby zwolnić kłapę pokrywy i opróżnić pojemnik. **[6]**
3. Nacisnąć przycisk zwolnienia pojemnika na kurz i wyjąć pojemnik. W tym celu pociągnąć go w dół i na zewnątrz. **[7]**
4. Obrócić filtr siatkowy w kierunku przeciwnym do ruchu wskazówek zegara, aby dopasować się do znacznika w kształcie strzałki. Następnie wyjąć go z odkurzacza. **[8]**
5. Obrócić separator cyklonowy w kierunku przeciwnym do ruchu wskazówek zegara, aby dopasować się do znacznika w kształcie strzałki. Następnie wyjąć go z odkurzacza. **[8]**
6. Nacisnąć jednocześnie dwa przyciski zwalniania filtra wylotowego, a następnie wyjąć filtr wylotowy. **[9]**
7. Przemycie filtr wylotowy w ciepłej wodzie i pozostawić do wyschnięcia na 24 godziny. Po całkowitym wyschnięciu zamontować ponownie filtr. **[10] [11]**
8. Przemycie pojemnik na kurz/filtr siatkowy/separatory cyklonowy w ciepłej wodzie. Przed ponownym zamontowaniem w obudowie upewnić się, że jest suchy. **[10]**
9. Ponownie zamontować zespół przenośny i umieścić w stacji dokującej **[12]**

\* Tylko w niektórych modelach

**UWAGA:** Do czyszczenia filtrów nie stosować gorącej wody ani detergentów. W mało prawdopodobnym przypadku uszkodzenia filtrów wylotowych należy zastąpić je oryginalnymi filtrami Candy. Nie używaj urządzenia bez zamontowanego filtra.

**WAŻNE:** Aby uzyskać optymalną wydajność, filtry siatkowe powinny być zawsze czyste. Zalecamy mycie filtra co najmniej raz na miesiąc.

#### Wymiana i czyszczenie zagarniacza

**WAŻNE:** Zawsze wyłączać odkurzacza przed wymianą oraz czyszczeniem szczotki obrotowej.

1. Wyjąć szczotkę elektryczną z rury i przesunąć przycisk zwalniający szczotkę obrotową na zewnątrz, aby wyjąć szczotkę. [13]
2. Usunąć wszystkie zabrudzenia ze szczotki obrotowej. Jeśli to nie wystarczy, wymienić szczotkę na nową.
3. Podczas ponownego montowania szczotki obrotowej należy pamiętać, że można ją zamontować tylko w jednym kierunku. Aby ponownie ją założyć, przesunąć przycisk zwalniający szczotkę obrotową na zewnątrz i umieścić szczotkę w prawidłowej pozycji, a następnie zwolnić przycisk. Szczotka zablokuje się automatycznie.

#### Wymiana akumulatorów

Odkurzacza jest wyposażony w wymienny zestaw akumulatorów litowo-jonowych (Li-Ion), który można ładować.

**Ostrzeżenie:** W odkurzaczu stosować wyłącznie zatwierdzone części zamienne. Używanie innych części niż te zatwierdzone przez firmę Candy, jest niebezpieczne i powoduje utratę gwarancji urządzenia.

**Ostrzeżenie:** Nie próbować otwierać lub samodzielnie naprawiać zestawu akumulatorów.

1. Przesunąć do tyłu przycisk zwalniający zestaw akumulatorów, a zestaw automatycznie nieco się wysunie. [14a]
2. Powoli wysunąć zestaw akumulatorów ze szczeliny. [14b]
3. Wyjąć stary zestaw akumulatorów i wymienić na nowy.
4. Akumulatory należy utylizować w sposób bezpieczny dla środowiska. Zużyte akumulatory należy przekazać do recyklingu. Nie należy ich wyrzucać ze śmieciami domowymi.

## ROZWIĄZYWANIE PROBLEMÓW

W razie wystąpienia jakiegokolwiek problemu z urządzeniem przed skontaktowaniem się z lokalnym serwisem firmy Candy należy przeprowadzić proste kontrole zgodnie z poniższą listą.

#### A. Odkurzacza się nie włącza.

Sprawdzić, czy odkurzacza jest naładowany.

#### B. Odkurzacza zatrzymuje się lub szczotka obrotowa przestaje się obracać.

Sprawdź, czy szczotka obrotowa nie jest zablokowana, usuń zator i upewnij się, że dźwignia trybu ciągłego jest wyłączona. Następnie należy po prostu nacisnąć przycisk ON/OFF: produkt uruchomi się ponownie po kilku sekundach.

#### C. Utrata mocy ssania lub brak ssania

Opróżnić pojemnik na kurz i przemieć filtr siatkowy oraz separator cyklonowy. Zdjąć końcówkę i sprawdzić, czy wąż lub rura nie są zatkane.

#### D. Nie można naładować akumulatorów.

Może to wynikać z bardzo długiego okresu bezczynności (ponad pół roku). Skontaktować się z centrum serwisowym firmy Candy, aby zlecić wymianę akumulatorów. Jeżeli problem nie znika, skontaktować się z centrum serwisowym firmy Candy.

## CZĘŚCI ZAPASOWE I MATERIAŁY EKSPLOATACYJNE MARKI Candy

Należy zawsze wymieniać części na oryginalne części zapasowe firmy Candy. Można je nabyć w lokalnym serwisie firmy Candy lub bezpośrednio w firmie Candy. Przy zamawianiu części zawsze należy podać numer danego modelu.

## GWARANCJA

Warunki gwarancji na niniejsze urządzenie są określone przez naszego przedstawiciela w kraju, w którym urządzenie jest sprzedawane. Szczegółowe informacje na temat warunków gwarancji można uzyskać w punkcie, w którym urządzenie zostało nabyte. Przy zgłaszaniu wszelkich roszczeń w ramach gwarancji należy przedstawić dowód sprzedaży lub pokwitowanie.

Zastrzegamy sobie możliwość wprowadzania zmian bez wcześniejszego powiadomienia.

## NÁVOD K BEZPEČNÉMU POUŽITÍ

Tento vysavač by měl být používán pouze pro úklid domácnosti a v souladu s touto uživatelskou příručkou. Než začnete spotřebič používat, ujistěte se, že rozumíte tomuto návodu.

Před čištěním nebo jakoukoli údržbou zařízení vždy vypněte a síťovou šňůru vytáhněte ze zásuvky.

Tento přístroj smí používat děti od 8 let výše a osoby se sníženými fyzickými, smyslovými nebo mentálními schopnostmi nebo s nedostatkem zkušeností a znalostí, pokud jsou pod dohledem nebo jim byly dány pokyny týkající se bezpečného používání tohoto přístroje a byly seznámeny s možnými riziky jeho používání. S přístrojem se nesmí hrát děti. Čištění a údržbu nesmí provádět děti bez dohledu.

Jestliže je poškozena síťová šňůra, okamžitě přestaňte zařízení používat. Síťovou šňůru musí vyměnit autorizovaný servisní technik společnosti Candy, aby se předešlo ohrožení bezpečnosti.

Udržujte dostatečnou vzdálenost rukou, nohou, volného oděvu a vlasů z dosahu otočných kartáčů.

Pro dobíjení používejte pouze nabíječku dodanou se zařízením.

Zkontrolujte, zda údaje na štítku nabíječky odpovídají hodnotám síťového napětí.

Tento vysavač společnosti Candy je vybaven dvojitě odizolovanou nabíjecí baterií, která je vhodná k zapojení pouze do zástrčky 230V (UK 240V).

Zapojte nabíječku do vhodné zásuvky a konektor nabíječky připojte k vhodnému výstupu na vysavači. **[2]**

Při nabíjení musí být spínač vysavače v poloze vypnuto.

Před prvním použitím přístroj nabíjejte nejméně 6 hodin. Při nabíjení se dioda LED **[H]** rozsvítí červeně a při plném nabití se rozsvítí modře.

Po použití znovu připojte přístroj k nabíječce k dobití baterie.

Důležité: Nikdy nenabíjejte akumulátor při teplotě vyšší než 37°C nebo nižší než 0°C.

Je běžné, že při nabíjení se nabíječka zahřívá.

Nevytahujte nabíječku ze zásuvky taháním za síťový kabel.

V případě delší nepřítomnosti (dovolená apod.) nabíječku odpojte. Přístroj před použitím znovu dobijte, protože baterie by se při delší době skladování mohly vybit samy.

Před likvidací vysavače z něj nejprve vyjměte baterie. Před odstraněním baterie se ujistěte, že výrobek je odpojen od elektrické sítě. Zlikvidujte baterie bezpečně a ekologicky. Používejte zařízení dokud baterie nejsou naprosto vybité. Použité baterie by měly být přijaté do recyklační stanice a nesmějí být vyhazované dohromady s domovním odpadem. Pro vyjmutí baterií prosím kontaktujte Zákaznické servisní středisko Candy, které najdete na internetových stránkách [www.candy-Candy.cz](http://www.candy-Candy.cz) nebo postupujte podle následujících pokynů:

**DŮLEŽITÉ UPOZORNĚNÍ:** Před vyjmutím je nutno baterii zcela vybit.

Nechte vysavač zapnutý, dokud nebudou baterie zcela vybité.

Odpojte nabíječku od spotřebiče.

Stiskněte tlačítko uvolnění baterie a baterie automaticky vyskočí ven. **[14a]**

Opatrně baterii vytáhněte. **[14b]**

**Poznámka:** Budete-li mít při demontáži jednotky jakékoli problémy nebo budete-li požadovat podrobnější informace o manipulaci, využití a recyklaci tohoto výrobku, kontaktujte prosím místní úřad nebo středisko sběrných surovin.

Používejte výhradně příslušenství, spotřební materiály a náhradní díly doporučené nebo dodávané firmou Candy.

**Statická elektřina:** Při čištění některých koberců vzniká malé množství statické elektřiny. Výboje statické elektřiny neohrožují zdraví.

Nepoužívejte Vaše zařízení venku, nebo na mokré povrchy a na mokrá vysávání.

Nevysávejte tvrdé nebo ostré předměty, zápalky, žhavý popel, cigaretové nedopalky a podobné předměty. Nestříkejte nebo nevysávejte hořlavé kapaliny, čisticí tekutiny, aerosoly nebo jejich výpary.

Během použití zařízení nepřejíždějte přes síťovou šňůru a nevytahujte síťový kabel ze zásuvky taháním za šňůru. Nepoužívejte zařízení nebo nabíjení, pokud vám připadá vadné.

**Servis Candy najdete na internetových stránkách [www.candy-candy.cz](http://www.candy-candy.cz)** Spolehlivý provoz a vysoká účinnost tohoto spotřebiče jsou zajištěny pouze v případě, že bude prováděn pravidelný servis a opravy, které musí zajišťovat autorizovaný servisní technik společnosti Candy.

Nepoužívejte zařízení pro čištění zvířat a osob.

Nenahrazujte baterie jinými, které nelze dobíjet.

#### Životní prostředí:

Tento spotřebič je označen v souladu s Evropskou Směrnicí 2011/65/ES o omezení používání nebezpečných látek v elektrických a elektronických zařízeních (WEEE). Zajištěním správné likvidace tohoto výrobku pomůžete předcházet případným negativním důsledkům pro životní prostředí a lidské zdraví, které mohou být v opačném případě způsobeny nesprávnou likvidací tohoto výrobku. Symbol na výrobku označuje, že tento výrobek nesmí být likvidován jako domovní odpad. Měl by být předán na příslušné místo sběru pro recyklaci elektrických a elektronických zařízení. Likvidace musí proběhnout v souladu s místními ekologickými předpisy pro likvidaci odpadu. Další informace o manipulaci, novém využití a recyklaci tohoto výrobku získáte na místním obecním úřadě, u služby pro sběr domovního odpadu nebo v prodejně, kde jste výrobek zakoupili.



Tento výrobek je v souladu s Evropskými směrnicemi 2014/35/ES, 2014/30/ES a 2011/65/ES.

CANDY Hoover GROUP S.r.l. Via Privata Eden Fumagalli, 20861 Brugherio (MB) Italy

### KOMPONENTY PRODUKTU

- |   |  |
|---|--|
| A. Nabíjecí stanice *                     | Q. Spínač                                  |
| B. Prachový kartáč 2 v 1 *                | R. Přepínací páčka                         |
| C. Tlačítko pro uvolnění otočného kartáče | S. Baterie                                 |
| D. Turbo kartáček                         | T. Výstupní filtr                          |
| E. LED osvětlení hubice *                 | U. Sítko filtru                            |
| F. Trubky                                 | V. Cyklónový separátor                     |
| G. Tlačítko pro uvolnění příslušenství    | W. Tlačítko uvolnění schránky na nečistoty |
| H. Příruční LED osvětlení                 | X. Tlačítko uvolnění baterie               |
| I. Ruční jednotka                         | Y. Miniturbo hubice *                      |
| J. Štěrbinový nástavec *                  | Z. Nástavec příslušenství *                |
| K. Šroubové zátky *                       | AA. Stropní nástavec *                     |
| L. Dlouhý otočný kartáč 2 v 1 *           | BB. Radiátorový nástavec *                 |
| M. Nabíjecí základna                      | CC. Hlubkový kartáč*                       |
| N. Tlačítko uvolnění nádob na prach       | DD. Dlouhý ohebný štěrbinový nástavec*     |
| O. Zásobník na nečistoty                  | EE. Pytlík na příslušenství*               |
| P. Tlačítko uvolnění výstupního filtru    |  |

### PŘÍPRAVA VYSAVAČE

1. Připevněte dobíjecí stanici na zeď pomocí dodaných šroubů a zátek.
2. Zasuňte hubici do jedné strany trubice, dokud neuslyšíte cvaknutí. **[1A]**
3. Druhou stranu trubice nasuňte do ruční jednotky, dokud neuslyšíte cvaknutí. **[1B]**
4. Pro úplné nabití připojte ke spotřebiči konektor nabíječky. Nabíjení bude trvat asi 6 hodin. **[2]**

**POZNÁMKA:** Abyste sundali nástavec, stiskněte tlačítko pro uvolnění nástavce a tahem ji sejměte z hlavního těla.

**POZNÁMKA:** Pro dobíjení používejte pouze nabíjecí stanici dodanou k vysavači.

**DŮLEŽITÉ UPOZORNĚNÍ:** Při nabíjení musí být spínač přístroje v poloze vypnuto.

Je běžné, že při nabíjení se nabíječka zahřívá.

### JAK POUŽÍVAT VYSAVAČ

#### Ochranný bezpečnostní systém

Aby spolehlivost výrobku, při použití v náročných podmínkách, nebyla ovlivněna, je zde integrován Ochranný bezpečnostní systém.

\* Pouze u některých modelů



**POZNÁMKA:** Ochranný bezpečnostní systém se aktivuje v případě, že je otočný kartáč zajištěn nebo zablokován. Po spuštění se otočný kartáč zastaví a modrá LED dioda na ruční jednotce změní barvu a začne blikat červeně.

V takovém případě zkrátka vypněte zařízení a vyčistěte otočný kartáč. Pro opětovné spuštění vysavače stiskněte spínač a zařízení začne znovu pracovat v normálním režimu.

K dispozici jsou dva pracovní režimy:

- **DOČASNÝ REŽIM:** Přístroj začne pracovat po stisknutí spínače a přestane při jeho uvolnění. **[3A]**
- **NEPŘETŘŽITÝ REŽIM:** Nepřetržitý režim zapnete tak, že posunete páčku směrem zpět, až do zajištění. Nepřetržitý režim ukončíte posunutím páčky zpět do původní polohy. **[3B]**

**Kontrolka nabíjení:** LED dioda na ruční jednotce bude během nabíjení svítit červeně a po dosažení plného nabití se rozsvítí modře.

**Kontrolka vybíjení:** Při vybíjení baterii svítí kontrolka LED na ruční jednotce i na hubici modře. Když nabití baterie klesne pod 5 %, začne kontrolka LED ruční jednotky blikat.

**Štěrbínový nástavec / Prachový kartáč 2 v 1\* / Dlouhý otočný kartáč 2 v 1\* / Miniturbo hubice\* / Dlouhý ohebný štěrbinový nástavec\***

Příslušenství můžete nasunout přímo do přívodu vzduchu ruční jednotky nebo do jedné strany trubice, dokud neuslyšíte cvaknutí. **[5]**

Do nabíjecí stanice lze uložit pouze štěrbinový nástavec a prachový kartáč 2 v 1.

**Pytlík na příslušenství\*:**

V pytlíku na příslušenství lze uskladnit dodatečné příslušenství.

**POZNÁMKA:** Hubice mini-turbo ideální pro hloubkové čištění textilních povrchů (například pohovky) a odstranění zvířecích chloupků. Pohybujte jím neustále dopředu a dozadu. Po použití nůžkami odstraňte vlasy/vláčna shromážděná na kartáči.

**POZNÁMKA:** Dlouhý ohebný štěrbinový nástavec je vhodný pro čištění v obtížně přístupných místech a pod nábytkem.

**Stropní nástavec\* / Radiátorový nástavec\* / Hloubkový kartáč\***

Pro toto příslušenství je třeba použít adaptér.

Příslušenství můžete nasunout přímo do přívodu vzduchu ruční jednotky nebo do jedné strany trubice, dokud neuslyšíte cvaknutí.

**POZNÁMKA:** Se stropním nástavcem snadno vyčistíte vysoká a obtížně dostupná místa a jemné povrchy bez poškrábání.

**POZNÁMKA:** Radiátorový nástavec je vhodný pro čištění uvnitř a v okolí skříněk, radiátorů, gaučů, žaluzií a podobně.

**POZNÁMKA:** Pomocí hloubkového kartáče lze čistit úzká místa bez rizika poškrábání povrchu.

**DŮLEŽITÉ UPOZORNĚNÍ:** Po každém použití přepněte páčku vpřed do odjištěné polohy. Pokud tak neučiníte, může dojít ke zkrácení životnosti baterie nebo k její poruše.

## ÚDRŽBA VYSAVAČE

**Vyprázdnění zásobníku na prach**

1. Stiskněte tlačítko uvolnění trubice a trubici sundejte. **[4]**
2. Stiskněte tlačítko vyprázdnění nádoby na prach, aby se uvolnila klapka, a vysypte obsah. **[6]**
3. Uzavřete klapku nádoby na prach, při zajištění uslyšíte cvaknutí.

**POZNÁMKA:** Doporučujeme vyprázdnovat nádobu na prach po každém použití, nebo při naplnění po maximální úroveň.

**Zkontrolujte prachový zásobník a filtr**

1. Stiskněte tlačítko uvolnění trubice a trubici sundejte. **[4]**
2. Stiskněte tlačítko vyprázdnění nádoby na prach, aby se uvolnila klapka, a vysypte obsah. **[6]**
3. Stiskněte tlačítko uvolnění nádoby na prach a zároveň nádobu vytáhněte směrem dolů a ven. **[7]**
4. Otočte sítkem filtru doleva, aby byly šipky u sebe, a vytáhněte jej z látkového filtru. **[8]**
5. Otočte separátorem cyklonu doleva, zarovnejte šipku a pak jej vytáhněte z vysavače. **[8]**
6. Stiskněte obě tlačítka uvolnění výstupního filtru zároveň a poté filtr vydejte. **[9]**
7. Omyjte výstupní filtr vlažnou vodou a nechte jej 24 hodin schnout. Jakmile je filtr úplně suchý, umístěte jej zpět do vysavače. **[10] [11]**
8. Omyjte nádobu na prach / síťový filtr / separátor cyklonu ve vlažné vodě. Než filtr vrátíte do hlavního těla vysavače, musí být zcela suchý. **[10]**
9. Sestavte znovu ruční jednotku a vložte ji zpět do dobíjecí stanice. **[12]**

**POZNÁMKA:** Na čištění filtrů nepoužívejte horkou vodu ani čisticí prostředky. V nepravděpodobném případě, že se filtry poškodí, je vyměňte za originální náhradní část firmy Candy. Nesnažte se vysavač používat bez filtru.

**DŮLEŽITÉ UPOZORNĚNÍ:** Pro optimální výkon udržujte filtr vždy čistý. Doporučujeme, abyste filtr umývali alespoň jednou za měsíc.

\* Pouze u některých modelů

### Výměna a čištění rotačního kartáče

**DŮLEŽITÉ UPOZORNĚNÍ:** Před výměnou otočného kartáče vysavač vždy vypněte.

1. Sundejte elektrickou hubici z trubice a vysuňte tlačítko uvolnění otočného kartáče směrem ven, aby jej bylo možné sundat. [13]
2. Odstraňte z rotačního kartáče veškeré usazeniny a pokud to nestačí, vyměňte jej.
3. Pamatujte, že rotační kartáč lze nasadit zpět pouze jedním směrem. Chcete-li nasadit rotační kartáč zpět, posuňte tlačítko uvolnění kartáče směrem ven a nasadte kartáč, který se ve správné poloze automaticky zajistí.

### Výměna baterií

Součástí vysavače je vyměnitelná dobíjecí Lithium-iontová baterie.

**VAROVÁNÍ:** Pro svůj vysavač používejte pouze schválené náhradní díly. Používání dílů neschválených firmou Candy je nebezpečné a přicházejí tím o záruku.

**VAROVÁNÍ:** Nepokoušejte se sami rozmontovat nebo opravit baterii.

1. Stiskněte tlačítko uvolnění baterie automaticky povyskočí ven. [14a]
2. Opatrně baterii vytáhněte. [14b]
3. Vyměňte starou baterii a nahraďte ji novou baterií.
4. Zlikvidujte baterie bezpečně a ekologicky. Použité baterie by měly být přijaté do recyklační stanice a nesmějí být vyhazované dohromady s domovním odpadem.

### ŘEŠENÍ POTÍŽÍ

Budete-li mít s vysavačem nějaký problém, postupujte podle tohoto jednoduchého kontrolního seznamu, než zavoláte do Zákaznického servisního střediska Candy:

- A. Vysavač se nezapíná.**  
Zkontrolujte, zda je nabitý.
- B. Čistič přestane fungovat nebo agitátor se nebude otáčet.**  
Zkontrolujte, zda se v agitátoru nachází nějaká překážka, odstraňte ji a zajistěte, aby páčka nepřetržitěho režimu byla vypnutá. Po dokončení jednoduše stiskněte tlačítko zapnutí/vypnutí, produkt se po několika sekundách restartuje.
- C. Ztráta sacího výkonu nebo žádné sací**  
Vyprázdněte nádobu na prach a omyjte síťový filtr a separátor cyklonu.  
Sundejte hubici a zkontrolujte, zda nejsou průchody trubice zablokované.
- D. Baterie nelze nabíjet.**  
To může být následkem velmi dlouhé doby nenabíjení akumulátorů (více než půl rok).  
Kontaktujte Zákaznické servisní středisko Candy a dojednejte si výměnu baterií.  
Pokud problém přetrvává, kontaktujte Zákaznické servisní středisko Candy.

### NÁHRADNÍ DÍLY A SPOTŘEBNÍ MATERIÁLY Candy

Vždy používejte originální náhradní díly společnosti Candy. Získáte je u místního prodejce výrobků Candy nebo u servisních partnerů. V objednávce dílů laskavě vždy uvádějte číslo modelu.

### VAŠE ZÁRUKA

Záruční podmínky pro tento spotřebič stanovuje náš zástupce v zemi, v níž je spotřebič prodáván. Přesné znění podmínek vám poskytne prodejce, u něhož jste si zařízení zakoupili. Při reklamaci podle těchto záručních podmínek je nutno předložit doklad o koupi nebo převzetí.

Právo změny bez předchozího upozornění vyhrazeno.

## NAVODILA ZA VARNO UPORABO

Sesalnik lahko uporabljate le za čiščenje stanovanjskih prostorov, kot je opisano v tem priročniku. Prosimo, da se pred uporabo sesalnika temeljito seznanite s temi navodili.

Pred čiščenjem naprave ali kakršimi koli vzdrževalnimi deli vedno izklopite in odstranite polnilnik iz vtičnice.

Ta aparat lahko uporabljajo otroci, starejši od 8 let, ter osebe z zmanjšanimi telesnimi, zaznavnimi in mentalnimi sposobnostmi ali osebe s pomanjkljivimi izkušnjami in znanjem, če so pod nadzorom ali so bile ustrezno podučene o varni uporabi aparata ter se zavedajo nevarnosti, ki so povezane z njegovo uporabo. Otroci se ne smejo igrati z aparatom. Otroci ne smejo čistiti ali vzdrževati aparata brez nadzora.

Če je napajalni kabel poškodovan, nemudoma prenehajte z uporabo sesalnika. Da bi se izognili nevarnosti, mora napajalni kabel zamenjati pooblaščen Candyjev serviser.

Imejte roke, noge, ohlapna oblačila in lasje proč od vrtljivih krtač.

Uporabljajte le originalni polnilnik, ki je priložen napravi.

Preverite, ali je napajalna napetost enaka tisti, ki je navedena na polnilniku.

Ta Candyjev aparat je dobavljen z dvojno izoliranim polnilcem baterij, ki je primeren samo za priključitev na 230-V (UK 240V) vtičnico.

Polnillec priključite v ustrezno vtičnico in nato drugi del priključite še na napravo. **[2]**

Med polnjenjem naprave mora biti gumb za vklop in izklop naprave v legi OFF.

Pred prvo uporabo baterijo naprave polnite vsaj 6 ur. Lučka LED **[H]**, ki prikazuje polnjenje baterije, se obarva rdeče, ko polnite napravo, in modro, ko je naprava povsem napolnjena.

Po uporabi naprave spet priključite polnilnik in tako vnovič napolnite baterijo.

Nikoli ne polnite baterij pri temperaturah višjih od 37°C ali nižjih od 0°C.

Normalno je, da se polnilnik med polnjenjem segreva.

Ne izklopite polnilca tako, da povlečete kabel.

Polnilec izklopite v primeru podaljšane odsotnosti (počitnice, itd.). Pred ponovno uporabo spet napolnite baterije, ker se lahko te izpraznijo samodejno, če sesalnika dlje časa ne uporabljate.

Če boste napravo odvrgli, morate najprej odstraniti baterije. Ko želite odstraniti baterije, mora biti naprava izključena iz električnega toka. Baterije odvrzite na varen način. Pustite delovati napravo do konca, da bodo baterije popolnoma prazne. Uporabljene baterije je treba odnesti v enoto za recikliranje in se ne smejo odvreči v gospodinjske smeti. Za odstranitev baterij vas prosimo, da se obrnete na Candyjev center za kupce ali nadaljujete po sledečih navodilih.

**POMEMBNO:** Pred odstranjevanjem baterije vedno popolnoma izpraznite.

Sesalnik naj deluje toliko časa, da se baterije do konca izpraznijo.

Vtikač polnilca odstranite iz naprave.

Gumb za sprostitev baterije povlecite nazaj in baterija bo samodejno deloma izstopila iz reže. **[14a]**

Baterijo počasi odstranite iz reže. **[14b]**

**Opomba:** V primeru težav z razstavljanjem naprave ali za podrobnejše informacije o ravnanju z izdelkom, obnovi ali ricikliranju izdelka se obrnite na krajevni urad ali komunalno podjetje za odvoz gospodinjskih odpadkov.

Uporabljajte le dodatke, potrošni material ali nadomestne dele, ki jih priporoča ali dobavi Candy.

**Statična elektrika:** Določene vrste preprog lahko ustvarijo manjšo količino statične elektrike. Kakršen koli statični električni naboj ne ogroža zdravja.

Sesalnika ne smete uporabljati na prostem, na kakršni koli mokri površini ali za sesanje tekočin.

Ne smete sesati trdih ali ostrih predmetov, vžigalic, vročega pepela, cigaretnih ogorkov ali drugih podobnih snovi. Ne smete pršiti ali sesati vnetljivih tekočin, čistil, osvežilcev zraka ali njihovih hlapov

Ne smete zapeljati prek napajalnega kabla med uporabo sesalnika ali izvleči vtikača tako, da bi vlekli za kabel. Ne smete uporabljati naprave ali polnilnika, če ne delujeta pravilno.

**Candyjev servis:** Za zagotovitev nenehnega varnega in

učinkovitega delovanja naprave priporočamo, da servis ali popravila izvrši le pooblaščen Candyjev serviser.

Ne smete uporabljati sesalnika za čiščenje živali ali ljudi.

Ne smete zamenjati polnljivih baterij z navadnimi baterijami.

#### Okolje:

Ta naprava je označena v skladu z evropsko direktivo 2011/65/ES o odpadni električni in elektronski opremi (OEEO). S pravilnim odstranjevanjem izdelka boste pripomogli k preprečevanju morebitnih negativnih vplivov na okolje in človeško zdravje, do česar bi utegnili priti ob neprimerni odstranitvi tega izdelka. Simbol na izdelku pomeni, da izdelka ne smete odstraniti kot gospodinjski odpadke. Oddati ga morate na zbirnem mestu za recikliranje električne in elektronske opreme. Odstranitev morate izvesti v skladu s krajevnimi okoljskimi predpisi glede odstranjevanja odpadkov. Za podrobnejše informacije o ravnanju z izdelkom, obnovi in recikliranju izdelka se obrnite na krajevni urad, komunalno podjetje za odvoz gospodinjskih odpadkov ali trgovino, kjer ste izdelek kupili.



Ta naprava je v skladu z evropskimi direktivami 2014/35/EU, 2014/30/EU in 2011/65/EU.

CANDY Hoover GROUP S.r.l. Via Privata Eden Fumagalli, 20861 Brugherio (MB) Italy

### SESTAVNI DELI IZDELKA

- |   |  |
|---|--|
| A. Vhodi za priključke *                | Q. Stikalo On/Off                        |
| B. Krtača za prah 2 v 1 *               | R. Stikalna ročica                       |
| C. Gumb za sprostitve vrtljive krtače   | S. Baterija                              |
| D. Sesalni nastavek                     | T. Izhodni filter                        |
| E. LED lučka krtače *                   | U. Mrežni filter                         |
| F. Cev                                  | V. Ciklonski separator                   |
| G. Gumb za sprostitvev pripomočkov      | W. Gumb za odpenjanje posode za prah     |
| H. LED lučka ročajja                    | X. Gumb za sprostitvev baterije          |
| I. Ročna enota                          | Y. Mini-turbo krtača *                   |
| J. Nastavek za čiščenje rež *           | Z. Pomožni adapter *                     |
| K. Vhodi za vijake *                    | AA. Krtača za čiščenje visokih površin * |
| L. Dolga vrtljiva krtača 2 v 1 *        | BB. Krtača za čiščenje radiatorjev *     |
| M. Polnilec                             | CC. Krtača za globinsko čiščenje*        |
| N. Gumb za izpraznitev posode za prah   | DD. Dolg in ozek upogljivi nastavek*     |
| O. Posoda za prah                       | EE. Torba za pripomočke*                 |
| P. Gumb za sprostitvev izpušnega filtra |  |

### PRIPRAVA VAŠEGA SESALNIKA

1. Pripomoček z vhodi za priključke pritrdite na svojo steno, za to pa uporabite priložene vijake in vhode za vijake.
2. Glavo krtače vstavite v eno od dveh skrajnih točk cevi in jo namestite tako, da zaslišite "klik". [1A]
3. Drugo skrajno točko cevi vstavite v ročaj in cev namestite tako, da zaslišite "klik". [1B]
4. Ko želite povsem napolniti napravo, vtičač polnilnika priključite na napravo. Naprava se bo polnila približno 6 ur. [2]

**OPOMBA:** Nastavek snamete tako, da pritisnete gumb za sproščanje nastavka in ga izvlečete iz osnovnega dela.

**OPOMBA:** Pri ponovnem polnjenju uporabite samo polnilec, ki je dobavljen z vašim sesalcem.

**POMEMBNO:** Med polnjenjem naprave mora biti stikalna ročica v legi OFF.

Normalno je, da se polnilnik med polnjenjem segreva.

### UPORABA SESALNIKA

#### Varnostni sistem

Da se zanesljivost izdelka ne bi zmanjšala v primeru uporabe v zahtevnih pogojih, je na samem izdelku nameščen varnostni sistem.

\* Le pri določenih modelih

**OPOMBA:** Zaščitni sistem se aktivira, če je v agitatorju prisotna ovira ali je agitator zaklenjen. Ko se zaščitni sistem aktivira, se agitator neha vrteti in modra lučka LED na ročaju se obarva rdeče ter začne utripati.

Če se to zgodi, ugasnite napravo in iz agitatorja odstranite oviro. Če želite spet zagnati napravo, pritisnite tipko on/off in naprava bo spet začela delovati v normalnem načinu.

Obstajata dva delovna načina:

• **ZAČASNI NAČIN:** Sesalnik začne delovati, ko pritisnete stikalo on/off, in neha delovati, ko stikalo sprostite. [3A]

• **NEPREKINJENI NAČIN:** Če želite vključiti neprekinjeni način, stikalno ročico povlecite nazaj in ta bo spet prešla v svojo lego.

Če želite izključiti neprekinjeni način, stikalno ročico potisnite naprej. [3B]

**Opozorila o polnjenju baterije:** Na ročaju se nahaja LED lučka, ki je med polnjenjem rdeče barve. Ko je naprava povsem napolnjena, začne svetiti modra barva.

**Opozorilo o prazni bateriji:** Ko je baterija skoraj prazna, se LED lučki na ročaju in na krtači obarvata v modro. LED lučka na ročaju začne utripati, ko je raven napolnjenosti baterije nižja od 5 %.

**Nastavek za čiščenje rež / Krtača za prah 2 v 1\* / Dolga vrtljiva krtača 2 v 1\* / Mini-turbo krtača\* / Dolg in ozek upogljivi nastavek\***

Pripomoček lahko namestite neposredno v dovod zraka, ki se nahaja na ročaju, ali v eno od skrajnih točk cevi, pri tem pa morate zaslišati "klik". [5]

Samo ozek nastavek in krtača za brisanje prahu 2 v 1 se lahko shranita v element z vhodi za priključke.

**Torba za pripomočke\*:**

Dodatne pripomočke lahko shranite v torbo za pripomočke.

**OPOMBA:** Mini-turbo krtača je idealna za čiščenje platnenih površin (npr. naslanjačev) in za odstranjevanje živalske dlake. Enakomerno jo potiskajte naprej in nazaj. Po uporabi odstranite dlake / delce, ki so se nabrali na krtači, po potrebi pa za to uporabite škarje.

**OPOMBA:** Dolg ozek in upogljiv pripomoček je idealen za čiščenje težko dostopnih predelov in površin pod pohištvenimi elementi.

**Krtača za čiščenje visokih površin\* / Krtača za čiščenje radiatorjev\* / Krtača za globinsko čiščenje\***

Ti pripomočki se namestijo s pomočjo adapterja.

Adapter za pripomočke lahko namestite neposredno v dovod zraka, ki se nahaja na ročaju, ali v eno od skrajnih točk cevi, pri tem pa morate zaslišati "klik".

**OPOMBA:** S krtačo za čiščenje visokih površin lahko očistite visoke in težko dostopne predele ter občutljive površine, ne da bi jih pri tem opraskali.

**OPOMBA:** Krtača za radiatorje je idealna za čiščenje notranjoti omar, radiatorjev, naslanjačev, žaluzij idr.

**OPOMBA:** Krtača za globinsko čiščenje je izdelana za čiščenje ozkih predelov in pri tem ne opraska površin.

**POMEMBNO:** Po vsaki uporabi sesalnika potisnite stikalno ročico naprej in jo tako namestite v zaklenjeno lego. Če tega ne storite, se lahko življenjska doba baterije skrajša ali se pojavi napaka.

## VZDRŽEVANJE SESALNIKA

**Praznjenje posode za prah**

1. Pritisnite gumb za sprostitev pripomočka in odstranite cev. [4]
2. Gumb za izpraznitev posode za prah potisnite navzdol ter tako sprostite pokrov posode in zatem izpraznite vsebino. [6]
3. Zaprite pokrov posode za prah. Ko se pokrov povsem zapre, zaslišite "klik".

**OPOMBA:** Posodo za prah izpraznite po vsaki uporabi sesalnika ali ko prah doseže zgornjo oznako največje dovoljene količine prahu.

**Očistite posodo za prah in filter.**

1. Pritisnite gumb za sprostitev pripomočka in odstranite cev. [4]
2. Pritisnite gumb za izpraznitev posode za prah ter tako odprite pokrov posode in zatem izpraznite vsebino. [6]
3. Pritisnite gumb za sprostitev posode za prah in hkrati posodo za prah vlecite navzdol in navzven. [7]
4. Mrežni filter zavrtite v nasprotni smeri urinega kazalca in ga namestite vzporedno s prikazano puščico, zatem pa ga lahko odstranite iz sesalnika. [8]
5. Ciklonski separator zavrtite v nasprotni smeri urinega kazalca in ga namestite vzporedno s prikazano puščico, zatem pa ga lahko odstranite iz sesalnika. [8]
6. Hkrati pritisnite oba gumba za sprostitev izpušnega filtra in zatem odstranite izpušni filter. [9]
7. Izpušni filter operite z mlačno vodo. Po pranju se mora filter sušiti 24 ur. Ko je filter povsem suh, ga spet sestavite in vnovič namestite na sesalnik. [10] [11]
8. Posodo za prah / mrežni filter / ciklonski separator operite z mlačno vodo. Vsak element se mora najprej povsem posušiti, šele zatem pa ga lahko spet namestite na glavno ogrodje. [10]

\* Le pri določenih modelih

9. Spet sestavite ročaj in ga nato priključite na element z vhodi za priključke. [12]

**OPOMBA:** Izpušnega filtra nikoli ne čistite z vročo vodo ali detergenti. Če se izpušni filter poškoduje, ga nadomestite samo z drugim Candyjevim filtrom. Sesalnika ne uporabljajte brez nameščenega filtra.

**POMEMBNO:** Da bi zagotovili optimalno delovanje sesalnika, morate vedno ustrezno čistiti mrežni filter. Priporočamo, da filter operete enkrat na mesec.

### Menjava in čiščenje vrtljive krtače

**POMEMBNO:** Pred zamenjavo in čiščenjem vrtljive krtače vedno ugasnite sesalnik.

1. Krtačo za preproge odstranite iz cevi in gumb za sprostitve vrtljive krtače pomaknite navzven ter odstranite vrtljivo krtačo. [13]
2. Z vrtljive krtače odstranite vse delce, če pa tudi to ne zadostuje, lahko krtačo nadomestite.
3. Pri vnovičnem nameščanju vrtljive krtače upoštevajte, da se lahko ta namesti samo v eni smeri. Ko želite spet namestiti vrtljivo krtačo, gumb za sprostitve potisnite proti zunanji strani in vrtljivo krtačo namestite v ustrezno lego. Gumb za sprostitve se bo zatem samodejno vrnil v svojo zaprto lego.

### Menjava baterij

Sesalnik vsebuje litij-ionsko baterijo, ki jo je mogoče napolniti in tudi nadomestiti.

**OPOZORILO:** Za svoj sesalnik uporabite samo odobrene nadomestne dele. Uporaba delov, ki jih Candy ne priporoča, je nevarna in bo razveljavila garancijo.

**OPOZORILO:** Ne poskušajte sami odpreti in popraviti baterije.

1. Gumb za sprostitve baterije povlecite nazaj in baterija bo samodejno deloma izstopila iz reže. [14a]
2. Baterijo počasi odstranite iz reže. [14b]
3. Odstranite staro baterijo in jo nadomestite z novo.
4. Baterije odvrzite na varen način. Uporabljene baterije je treba odnesti v enoto za recikliranje in se ne smejo odvreči v gospodinjске smeti.

## ODPRAVLJANJE TEŽAV

Če boste imeli kakršne koli težave z vašim sesalnikom, preden pokličete Candyjev servisni center za stranke s pomočjo enostavnega seznama v nadaljevanju preverite naslednje:

- A. Sesalnik se ne izklopi.**  
Preverite, če je sesalnik napolnjen.
- B. Sesalnik je nehal delovati ali se agitator ne vrti.**  
Preverite, ali je v agitatorju prisotna ovira, odstranite jo in preverite, ali je neprekinjen način izključen. Ko to storite, pritisnite tipko on/off. Izdelek se bo po nekaj sekundah spet vključil.
- C. Sesalna moč je manjša ali pa sesalnik sploh ne vsesava**  
Izpraznite posodo za prah ter operite mrežni filter in ciklonski separator.  
Odstranite krtačo in preverite, ali se v cevi nahaja kakršenkoli predmet, ki onemogoča prehod.
- D. Baterij ne morete napolniti.**  
To je morebitna posledica zelo dolgega obdobja shranjevanja (več kot pol leta).  
Kontaktirajte Candyjev servis za stranke, da se dogovorite za zamenjavo baterij.  
Če težava traja dlje, kontaktirajte Candyjev servisni center za stranke.

## NADOMESTNI DELI IN POTROŠNI MATERIJAL Candy

Vedno uporabljajte originalne nadomestne dele Candy. Dobite jih pri krajevnem prodajalcu Candyjevih izdelkov. Pri naročanju delov vedno navedite številko modela.

## GARANCIJA

Garancijski pogoji za to napravo so taki, kot jih določi zastopnik v državi, kjer je naprava prodana. Podrobnosti glede garancijskih pogojev lahko dobite od prodajalca, pri katerem ste napravo kupili. Če želite uveljavljati kakršno koli garancijo, potrebujete potrdilo o nakupu ali račun.

Garancija se lahko spreminja brez predhodnega obvestila.

## UPUTSTVA ZA BEZBEDNU UPOTREBU

Ovaj aparat bi trebalo koristiti isključivo za upotrebu u domaćinstvima. Molimo Vas da detaljno proučite uputstvo pre korišćenja aparata. Ne ostavljajte aparat uključenim u struju dok se ne koristi. Aparat uvek isključite i izvadite utikač iz utičnice nakon korišćenja, kao i pre čišćenja i održavanja.

Ovaj aparat mogu koristiti deca starija od 8 godina i ljudi sa redukovanim fizičkim, osećajnim ili mentalnim mogućnostima, ili nedostatkom poznavanja aparata isključivo pod nadzorom, ili ako su upućeni o bezbednom načinu korišćenja aparata. Deci nebi trebalo dati da se igraju sa aparatom. Čišćenje i održavanje usisivača nebi trebalo da rade deca bez nadzora. Ukoliko dođe do oštećenja kabla, momentalno prestanite sa korišćenjem aparata. Kako biste izbegli bezbednosni hazard, pozovite isključivo ovlašćenog CANDY servisera da popravi usisivač. Držite ruke, noge, odeću i kosu podalje od rotirajućih četki. Koristite isključivo originalne CANDY dodatke, i filtere.

Proverite da je napon isti kao sto je naznačen na punjaču. Ovaj aparat je dopremljen sa duplo izolovanim punjačem koji je prikladan za punjenje na 230V (UK 240V) uticnici.

Uključite punjac u uticnicu i povežite drugu stranu punjaca u aparat. **[2]**

Pri punjenju aparata, dugme mora biti na poziciji isključeno.

Pre prve upotrebe, puniti Vas aparat najmanje 6 sati. LED indikator punjenja **[H]** će zasvetleti crveno kada se bude punio, a postaće plav kada punjenje bude gotovo.

Vratite aparat na punjač nakon korišćenja kako bi ga dopunili.

Nikada ne puniti aparat na temperaturama iznad 37°C ili ispod 0°C.

Normalno je da punjac postane topao na dodir tokom punjenja.





Nikada ne isključujte punjač povlačenjem za žicu.

Izvadite punjač iz struje u slučaju dužeg odsustva (odmori, i sl.). Napunite aparat ponovo pre korišćenja zato što baterije mogu same da se isprazne nakon dužeg ne korišćenja.

U slučaju odlaganja aparata na otpad, baterije prvo moraju biti uklonjene. Aparat mora biti isključen iz struje pri vađenju baterije. Baterije bezbedno reciklirajte. Pustite aparat da radi kako dok se baterije potpuno ne isprazne. Korišćene baterije treba odneti na stanicu za recikliranje, a ne u kućni otpad. Kako bi izvadili baterije, molimo kontaktirajte Hoover servis ili pratite ova uputstva za upotrebu.

**VAŽNO:** Uvek potpuno ispraznite baterije pre vađenja i pobrinite se da budu potpuno ispražnjene. Takođe punjač uvek treba isključiti iz struje pre bilo kakvih aktivnosti.

Pustite aparat da radi kako dok se baterije potpuno ne isprazne. Izvucite punjač iz aparata.

Povucite bravicu za otvaranje ležišta za baterije i mala dužina baterija će automatski iskočiti. **[14a]**

Polako ih izvucite iz ležišta. **[14b]**

**Napomena:** U slučaju da imate bilo kakve nedoumice u vezi rasklapanja aparata, kao i njegovog pravilnog recikliranja, molimo kontaktirajte nadležne komunalne službe ili servis.

Koristite isključivo dodatke, potrošnu robu i delove koje doprema ovlašćeni Candy servis.

**Statički elektricitet:** Neki tepisi mogu prouzrokovati statički elektricitet. Bilo kakvo ispuštanje statičkog elektriciteta nije opasno po zdravlje.

Ne koristite aparat na mokrim površinama ili za mokro usisavanje. Ne prskajte usisivač i ne usisavajte zapaljive materije i njihova isparenja.

Nemojte gaziti po kablju dok koristite aparat. Nemojte vaditi utikač iz utičnice vučenjem kabla.

Ukoliko Vam se čini da nešto nije u redu sa aparatom, momentalno prestanite da ga koristite.

**HOOVER servis:** Kako biste obezbedili bezbedan i efikasan rad aparata, preporučujemo Vam da sve popravke i održavanje izvrši isključivo ovlašćeni CANDY serviser.

Nemojte uvijati kabal oko ruku ili nogu dok koristite aparat.

Ne koristite aparat za čišćenje ljudi ili životinja.

Pri čišćenju stepenica, UVEK stavite aparat ispod, a ne iznad Vas.

### Zaštita životne sredine

Ovaj simbol na aparatu indikuje da aparat ne sme biti tretiran kao običan komunalni otpad. Mora biti odnesen na adekvatno mesto za reciklažu/otpad elektronskog otpada. Odstranjivanje mora biti izvršeno u skladu sa lokalnim zakonima za odlaganje elektronskog otpada. Za detaljnije informacije o odlaganju ili recikliranju ovog aparata, molimo Vas da kontaktirate nadležne ljude u vašem gradu, servisu ili prodavnici tehnike.



Ovaj proizvod je saglasan sa evropskim direktivama 2014/35/EU, 2014/30/EU i 2011/65/EU.

HOOVER Limited, Pentrebach, Merthyr Tydfil, Mid Glamorgan, CF48 4TU, UK

### KOMPONENTE PROIZVODA

- |                                  |   |
|----------------------------------|---|
| A. Stanica za punjenje           | M. Punjač                               |
| B. 2 u 1 četka za prašinu        | N. Dugme za otvaranje posude za prašinu |
| C. Dugme za vađenje četke        | O. Posuda za prašinu                    |
| D. Power nastavak                | P. Dugme za izvlačenje izduvnog filtera |
| E. LED svetlo nastavka           | Q. Dugme uključ/isključ                 |
| F. Cev                           | R. Dugme za uključivanje                |
| G. Dugme za otpuštanje nastavaka | S. Komplet baterija                     |
| H. LED svetlo drške              | T. Izduvni filter                       |
| I. Ručni deo                     | U. Mrežasti filter                      |
| J. Uski nastavak                 | V. Ciklonski separator                  |
| K. Šrafovi                       | W. Dugme za otvaranje posude            |
| L. Duga rotirajuća 2 u 1 četka*  | X. Dugme za vađenje baterija            |

### PRIPREMA USISIVAČA

1. Pričvrstite stanicu za punjenje na odgovarajući zid uz pomoć šrafova i opreme dopremljene uz usisivač.
2. Stavite veliki nastavak na kraj cevi dok ne čujete zvuk "klik". **[1A]**
3. Na drugu stranu cevi priključite aparatsve dok ne čujete zvuk "klik". **[1B]**
4. Kako bi potpuno napunili aparat, priključite aparat na punjač. Trebaće mu oko 6 sati. **[2]**

**NAPOMENA:** Kako bi izvukli veliki nastavak pritisnite dugme za izvlačenje nastavka i povucite jedno od drugog.

**NAPOMENA:** Koristite samo originalan punjač dopremljen uz aparat za punjenje.

**VAŽNO:** Pri punjenju usisivača prekidač mora biti na OFF (isključeno) poziciji.

Normalno je da se punjač zagreje pri radu..

### KORIŠĆENJE USISIVAČA

Postoji dva načina rada:

- **PRIVREMENI NAČIN:** Aparat će raditi samo dok držite pritisnutim dugme za uključ/isključ, i prestaće kad pustite. **[3A]**
- **TRAJNI NAČIN:** Kako bi omogućili nesmetan rad možete povući prekidač iznad dugmeta za uključ/isključ, i on će kliknuti na svoje mesto. Kako bi prekinuli ovaj režim ili isključili usisivač, samo povucite prekidač na suprotnu str. **[3B]**

\* Samo pojedini modeli

**Indikator punjenja:** LED svetlo u ručnom delu svetli crveno dok se aparat puni, a plavo kada se napuni.

**Indikatori pražnjenja:** Kada se baterije prazne, oba LED indikatora na aparatu su plava. LED indikator na ručnom delu će treptati kada baterija bude praznija od 5%.

#### Uski deo / 2 u 1 četka za prašinu / Duga rotacija 2 u 1 četka

Ovaj dodaci mogu biti stavljeni na zidno ležište. Možete staviti dodatke direktno na dovod vazduha ručnog dela ili jedne strane cevi sve dok ne čujete zvuk "klik". [5]

**NAPOMENA:** U slučaju da nećete koristiti usisivač duži vremenski period, molimo izvadite komplet baterija iz usisivača kako bi obezbedili dugotrajn život baterije.

**VAŽNO:** Nakon svakog korišćenja Vašeg proizvoda, molimo da se pobrinite da pomerite bravicu na poziciju za otključano. U suprotnom, može doći do skraćenja ili prestanka životnog veka baterije.

## ODRŽAVANJE USISIVAČA

### Pražnjenje posude za prašinu

1. Pritisnite dugme za otpuštanje nastavaka i izvadite cev. [4]
2. Pritisnite na dole dugme za pražnjenje posude kako bi se posuda otvorila i prašina izašla. [6]
3. Zatvorite poklopac posude, čujete "klik" kada se potpuno zaključa.

**NAPOMENA:** Preporučujemo da posudu praznite nakon svakog korišćenja ili kada dostigne liniju MAX.

### Pražnjenje posude za prašinu i filtera

1. Pritisnite dugme za otpuštanje nastavaka i izvucite cev. [4]
2. Pritisnite na dole dugme za pražnjenje posude kako bi se posuda otvorila i prašina izašla. [6]
3. Pritisnite dugme za otvaranje posude i povucite posudu na dole i ka spolja (videti sliku). [7]
4. Okrenite mrežasti filter u smeru suprotnom od kazaljke na satu tako da se poravna sa simbolom strelice, i nakon toga ga povucite iz usisivača. [8]
5. Okrenite ciklonski separator u smeru suprotnom od kazaljke na satu, poravnajte ga sa simbolom strelice nakon čega može biti izvađen iz usisivača. [8]
6. Pritisnite dva dugmeta za otpuštanje izduvnih filtera zajedno i izvucite izdumni filter. [9]
7. Operite izdumni filter u mlakoj vodi i ostavite ga da se osuši 24 sata. Ponovo ga sklopite i vratite u aparat kada bude bio potpuno suv. [10] [11]
8. Operite posudu/mrežasti filter/ciklonski separator u mlakoj vodi. Pobrinite se da je potpuno suv pre vraćanja u glavno telo usisivača. [10]
9. Ponovo sklopite ručni deo i zakačite ga na zidni stalak za punjenje. [12]

**NAPOMENA:** Ne koristite toplu vodu ili deterdžente za čišćenje izduvnih filtera. U slučaju da se izdumni filteri oštete, stavite originalnu Hoover zamenu. Ne pokušavajte da koristite aparat bez filtera.

**VAŽNO:** Za optimalne performanse, uvek održavajte mrežasti filter čistim. Preporučujemo Vam da operete filter barem jedanput mesečno.

### Promena filtera i rotirajuće četke

**VAŽNO:** Uvek isključite usisivač pre punjenja ili čišćenja četki.

1. Izvucite turbo nastavak sa cevi i povucite rotirajuću četku izvan kako bi je izvadili (videti sliku). [13]
2. Izvucite svu prljavštinu i dlake sa četke - ako to ne želite možete kupiti i novu.
3. Kada vraćate rotirajuću četku molimo obratite pažnju da je možete staviti u samo jednom smeru. Kako bi je stavili prevucite dugme za četku na spolja i postavite je u ispravnu poziciju, zatim otpustite dugme koje će se automatski zaključati.

### Zamena baterija

Ovaj usisivač je opremljen dopunjivim Lithium-Ion baterijama koje su zamenjive.

**UPOZORENJE:** Koristite samo odobrene i originalne delove za Vaš usisivač. Korišćenje delova koji nisu odobreni od strane Hoover-a su opasni i dovode do poništenja Vaše garancije.

**UPOZORENJE:** Ne pokušavajte da otvorite komplet baterija i sami ga popravite.

1. Povucite dugme za otpuštanje kompleta baterija i one će automatski izleteti na kratku razdaljinu. [14a]
2. Izvucite komplet baterija polako iz ležišta. [14b]
3. Izvucite stari komplet baterija i stavite novi na isto mesto, isti način.
4. Odložite stare baterije na odgovarajuće reciklažno mesto. Korišćene baterije su veoma otrovne i štetne po pokolinu, tako da ih nikako ne treba tretirati kao komunalni otpad.

\* Samo pojedini modeli

## PREPOZNAVANJE PROBLEMA

U slučaju da imate bilo kakav problem sa Vašim usisivačem, pratite ovu jednostavnu check-listu pre pozivanja Hoover ovlašćenog servisa:

### A. Usisivač se ne uključuje.

Proverite da li je usisivač napunjen.

### B. Smanjenje ili gubitak snage usisavanja

Ispraznite posudu za prašinu i operite mrežasti filter i ciklonski separator.

Proverite da nema bilo kakvih blokada u cevi.

### C. Baterije ne mogu da se napune.

Ovo može biti rezultat veoma dugog ne korišćenja aparata (preko pola godine).

Kontaktirajte Hoover servis kako bi obezbedili nove baterije.

U slučaju da se problem nastavi i sa novim baterijama, odnesite aparat serviseru.

## CANDY REZERVNI DELOVI

Uvek menjajte delove originalnom Candy zamenom. One su dostupne od strane Vašeg lokalnog Hoover servisa. Pri naručivanju delova molimo uvek navedite broj modela.

### Potrošna roba

• Baterija Lithium Pack	B001	35601729
• Rotirajuća četka	Y38	35601730
• Izduvni filter	T113	35601731
• 2 u 1 četka za prašinu	G161	35601732
• Duga rotirajuća 2 u 1 Četka	G162	35601733

## GARANCIJA

Uslovi garancije za ovaj aparat su definisane prema državi u kojoj se prodaje. Detalji u vezi ovih uslova mogu biti dobijeni od prodavaca kod kojih je aparat kupljen. Račun kupovine mora biti priložen uz bilo kakve prijave kvara i reklamacije.

Predmet se može promeniti bez prethodne najave.

***CANDY***

PRINTED IN P.R.C.  
48029857/01