

HKoenig

v28

Instruction Manual

Manuel d'instructions
Bedienungsanleitung
Gebruiksaanwijzing
Manual de instrucciones
Manuale d'uso
Instrukcja obsługi



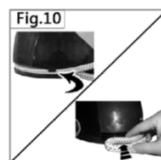
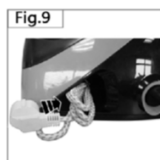
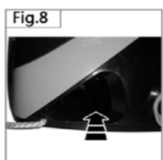
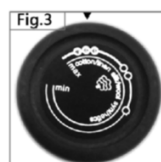
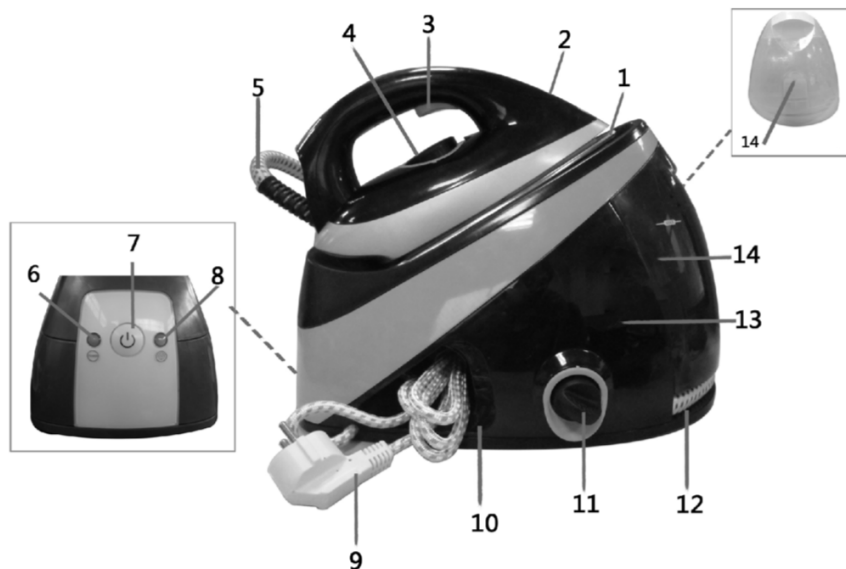
Steam station iron

Centrale Vapeur
Dampfbügelstation
Stoomstation
Central Vapor
Centrale Vapore



ENGLISH

STEAM STATION IRON INSTRUCTION



DESCRIPTION

- 1) Heating plate
- 2) Steam jet button
- 3) Thermostat knob
- 4) "Iron heating" indicator light
- 5) Single hose (supply cable + steam hose)
- 6) On/off boiler switch
- 7) Steam indicator light
- 8) On/off master switch
- 9) Supply cable with plug
- 10) Storage box for supply cable
- 11) The cleaning valve of the boiler
- 12) Storage slot for single hose
- 13) Boiler
- 14) Water tank

Read this instruction booklet carefully before installing and using the machine. In this way you will obtain the best possible results and maximum operating safety.

SAFETY WARNINGS

Read the following instructions carefully:

- Before use, check that the power supply corresponds to the voltage shown on the serial number plate. Connect the appliance only to a properly earthed power outlet (minimum 10A).

- In the event of incompatibility between the plug and you socket, have the socket replaced by a qualified electrician.

- The electrical safety of this appliance is only guaranteed when it is properly earthed according to current electrical safety regulations. The manufacturer declines all responsibility for any damage resulting from inadequate earthing of the appliance. If in doubt, consult a qualified electrician.

- Do not leave water in the machine when the room temperature is 0°C or below.

- After unpacking, check the appliance for damage if in doubt, do not use the appliance; contact a qualified technician.

- Packaging materials (plastic bags, polystyrene foam, etc.) are a potential source of danger and must be kept out of reach of children.

It is inadvisable to use adapters, multiple sockets and/or extensions. In cases in which this is unavoidable, always use adapters, multiple sockets and extensions which comply with current safety regulations. Do not exceed the maximum power rating shown on the adapter.

- This appliance is designed for domestic use only. Any other use of the appliance is considered improper and therefore dangerous.

- The manufacturer declines all responsibility for any damage resulting from improper, incorrect or careless use of the appliance.

- This appliance may be used by persons with reduced physical, sensory or mental capabilities or lack of experience and knowledge provided they have received supervision or instruction in the safe use of the appliance and understand the hazards involved. Children should not play with the device.

- The appliance is not intended to be operated by an external timer or by a separate remote control system.

- When using any electrical appliance, a few basic rules should be observed:

- If the supply cord is damaged, it must be replaced by the manufacturer or its service agent or a similarly qualified person in order to avoid a hazard.

- Keep the appliance and its power cord out of reach of children under 8 years of age.

- When using electrical equipment, safety precautions must always be taken to prevent the risk of fire, electric shock and/or injury in the event of misuse.

- Please keep this document at hand and give it to the future owner in case of transfer of your device.

- The device must not be used if it has been dropped, if obvious signs of damage are visible or if it has leaks.

In particular:

- Do not touch the appliance with wet or damp hands or feet.

- Do not use the appliance in bathrooms.

- Do not pull the supply cable or the appliance to remove the plug from the socket.

- Do not leave the appliance exposed to atmospheric agents (rain, sun, frost, etc.).

- Do not allow the appliance to be used by children or

irresponsible persons unless under supervision.

- Do not immerse the appliance in water.
- Do not leave the iron unattended when it is switched on, as this may be a source of danger.
- Before carrying out any cleaning or maintenance operations or filling water into container, always disconnect the appliance from the mains power supply by removing the plug .
- In the event of failure or malfunction, switch off the appliance and do not attempt to carry out repairs. Contact an authorized Service Centre and insist on original spare parts. Failure to observe the above points may affect the safety of the appliance.
- Should you decide not to use the appliance again, remove the plug from the socket and cut the supply cable to render the appliance completely inoperative.
- Installation must be carried out according to the manufacture's instructions.
- The supply cable must not be replaced by the user, as this requires the use of special tools, if the supply cable is damaged, contact an authorized Service Centre.
- Do not allow the supply cable to come into contact with the ironing plate.
- If the safety cut-out intervenes, the iron will no longer function. To restore normal operation. Contact a qualified electrician.
- Never direct the steam jet in the direction of persons, as this may be extremely dangerous.
- Do not use the iron on very wet fabrics.
- Do not place the iron to the person on the stand when the plate is hot.
- Do not overfill the water tank and do not add stain-removers of similar products to the water tank or the boiler..
- Remove the plug from the mains socket when the appliance is not in use. Do not leave the appliance switched on unnecessarily.
- Never unscrew the cleaning valve when the appliance is connected to the power supply network.

- The appliance must be placed on a flat surface that is particularly resistant to high temperatures.
- EEC Directive 87/308(D.M. 13/04/89). Keep this booklet in safe place for future reference. This appliance complies with EEC Directive 87/308(D.M. 13/04/89) regarding the suppression of radio disturbance.
- This appliance may be used by children of at least 8 years of age, as long as they are supervised and have been given instructions about using the appliance safely and are fully aware of the dangers involved.
- Cleaning and maintenance should not be carried out by children unless they are at least 8 years of age and are supervised by an adult.

PREPARATION FOR USE

The appliance uses ordinary tap water.

If the water is very hard (hardness higher than 27 degrees French).we suggest using distilled or demineralized water.

Before using equipment, open the flap of water (15), added just the right amount of water to the water tank (14), first is less than the MAX water level.

Connecting the appliance and power cord.

Press the main switch (8), power indicator light (8) lights up, it means the iron start running. In the condition of the equipment only dry hot function.

At the same time , press the boiler switch (6), the boiler power light (6) and steam available indicator light (7) light up, it means the boiler (12) start running. The appliance is the steam mode.

Feed-water from electromagnetism water pump coming down the boiler when the boiler(12) heating enough. Choosing the temperature by temperature knob(3),the colored part indicate ironing area which can be chose.

Around 90 seconds . Heating indicator(4) will die out , it means the appliance can be using the steam.

Around 3 minutes . Steam available light (7) will die out , it means the appliance can be using the steam.

If you exit out the steam mode, you just press again the boiler switch button(6), the boiler power indicator light (6) goes out, it means the appliance exits out the steam mode.

Cheak the manufacturer's label on the garment, and interpret the symbol on the label as follows.

STEAM IRONING

When using the iron for the first time, iron a plain cloth first.

Obtain steam after pressing the steam button (2).

This appliance is also able to generate steam in a vertical position and can therefore be used to refresh fabrics easily with a jet of steam.

If you hear the loud feed-water sound when you ironing , it means there is no water in the water tank(14).Press the boiler button(6) and cut down the boiler power . After fill the water tank(14),then

press the boiler button(6) again ,go on ironing.

CAUTION! Never attempt to open the cleaning valve(10) while the boiler is under pressure.

DRY IRONING

Connect the appliance to the mains supply, only press the main switch(8), then select the desired temperature by turning the thermostat knob(3). Wait until the iron heating indicator light (4) goes off, indicating that the desired temperature has been reached.

PUTTING THE APPLIANCE AWAY

- After use, always allow the iron to cool before putting it away.
- It is not necessary to drain the boiler after ironing.
- Position the Steam flexible hose- Power cable get together in the base of the appliance (10) .
- Always keep the surface the ironing plate perfectly clean. To clean it, just wipe the cold surface with a damp cloth. The appliance must not be cleaned with descaling agents.
- Do not iron over zippers, hooks, rings, etc; as these may scratch the plate.
- When you have finished ironing. Place the iron correctly on its stand. Ensure that there are no traces of water under the plate, as these may cause stains.
- Store the appliance in a dry place

CLEAN THE BOILER AT REGULAR INTERVALS

Release the residual steam in the boiler when you use up. Cut down the power, after the appliance refrigeration enough put up one side of the cleaning valve(10), turn the cleaning valve(10)(do not lie flat the appliance when you open the cleaning valve, otherwise the water will leakage). Then fill appropriate water into boiler, insert the boiler cleaning brush and turn the cleaning brush to clean the boiler, then waggle the equipment softly and pour-out the water. Repetition clean 2-3 times, then assemble the cleaning valve back and screw it tightly.

SUGGESTIONS

- Divide the washing according to the correct ironing temperatures. Start by ironing those garments that require a lower temperature. For fuller details, refer to the chart at end of this booklet.
- Fabrics such as velvet and wool, and accessories such as gloves, handbags, etc. will regain their brand-new look and texture by simply passing the iron near the surface of the fabric and pressing the steam button.
- Imprints left in carpets by furniture can be removed by applying steam on the parts where the pile is crushed and the brushing lightly.
- If the carpet is made of synthetic material, do not select a high temperature.

How to get a professional ironing finish

A normal iron generates only a small quantity of steam. In this case it is necessary to produce steam constantly in order to eliminate crease in the fabric being ironed.

A professional ironing system works rather differently. The fabric is first made damp by the steam and then, in a second phase, dry-ironed in the normal way. This means that every tiniest crease is removed and your garments are ironed to perfection.

In the first phase (steam-dampening of the fabric), hold the iron about 20 cm above the fabric and press the steam button(2). Pass the iron over the garment in a circular movement so that the powerful jet of steam dampens the fabric. Lightly creased garments require only a few moments of steaming. While very heavy fabrics or garments with particularly difficult creases must be dampened, so steam must be applied for a few seconds more.

During the second phase (dry ironing), check that the thermostat knob is in the correct position for the type of fabrics; release the steam button(2) and dry-iron the garment. The special ironing plate will prevent the fabrics from becoming shiny. Using this ironing technique, and following the suggestions in the chart below, you will find it easy to give your garments a really professional ironing finish.

Guide to perfect ironing

Type of fabric	Position of thermostat knob	Ironing instructions
Acetate Acrylic Nylon	●	Dry ironing Follow the instructions on the label of the garment. This type of fabric generally requires very light ironing.
Pollester Rayon	●	Dry ironing Iron inside out. When ironing mixed fabrics. Select the Lowest recommended temperature.
Silk	● ●	Dry ironing Iron inside out.
Wool Light cotton Light linen	● ●	Steam ironing Iron inside out. Place a thin cloth over the fabric in order to avoid a shiny finish
Cotton Fine linen Starched fabrics	● ● ●	Steam ironing Dampen the fabric before ironing. Heavier fabrics and tarched fabrics can be ironed on the front; darker colours and embroidered garments should be ironed inside out.
Linen	● ● ●	Steam ironing Use plenty of steam and iron dark fabrics inside out in order to avoid a shiny finish, Iron lapels and cuffs on the right side for better finish.

WARRANTY

The warranty period for our products is 2 years, unless otherwise stated, starting from the date of initial purchase or the date of delivery.

If you have any problems or questions, you can easily access our help pages, troubleshooting tips, FAQ, and user manuals on our service site: <https://sav.hkoenig.com>.

By typing the reference name of your device in the search bar, you can access all available online support, designed to best meet your needs.

If you still cannot find an answer to your question or problem, then click on “Did the answer solve your problem?”. This will direct you to the Customer Support Request Form, which you can fill out to validate your request and get help.

WARRANTY CONDITIONS

The warranty covers all failures occurring under normal use, in accordance with the usage and specifications in the user's manual.

This warranty does not apply to packaging or transportation problems during shipment of the product by the owner. It also does not include normal wear and tear of the product, nor maintenance or replacement of consumable parts.

EXCLUSION OF WARRANTY

- Accessories and wearing parts (*).
- Normal maintenance of the device.
- All breakdowns resulting from improper use (shocks, failure to comply with power supply recommendations, poor conditions of use, etc.), insufficient maintenance or misuse of the device, as well as the use of unsuitable accessories.
- Damage of external origin: fire, water damage, electrical surge, etc.
- Any equipment that has been disassembled, even partially, by persons other than those authorized to do so (notably the user).
- The products whose serial number would be missing, deteriorated or illegible that would not allow its identification.
- The products subjected to leasing, demonstration, or exhibition.

(*) Some parts of your device, called wear parts or consumables, deteriorate with time and frequency of use of your device. This wear and tear are normal but can be accentuated by poor conditions of use or maintenance of your device. These parts are therefore not covered by the warranty.

The accessories supplied with the device are also excluded from the warranty. They cannot be exchanged or refunded. However, some accessories can be purchased directly through our website: <https://sav.hkoenig.com/>.

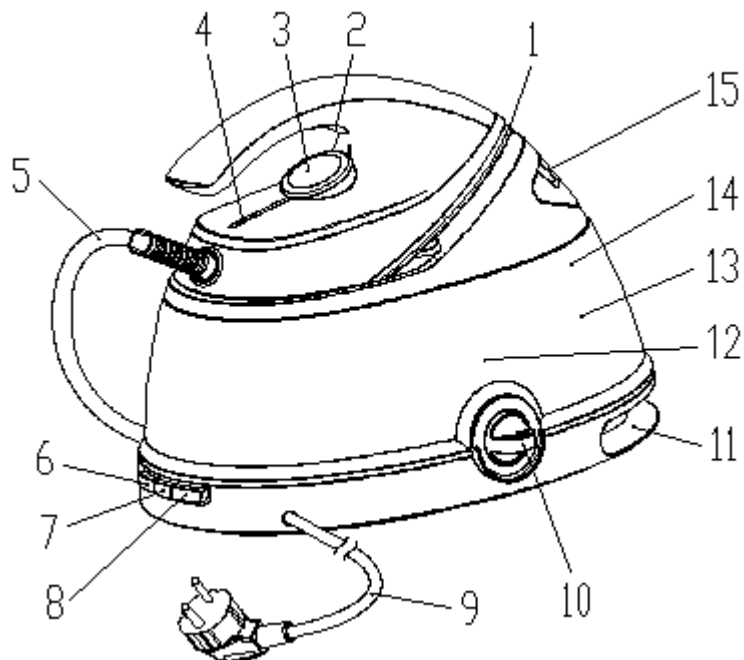
ENVIRONMENT

CAUTION:



Do not dispose of this product as it has with other household products. There is a separation of this waste product into communities, you will need to inform your local authorities about the places where you can return this product. In fact, electrical and electronic products contain hazardous substances that have harmful effects on the environment or human health and should be recycled. The symbol here indicates that electrical and electronic equipment should be chosen carefully, a wheeled waste container is marked with a cross.

MANUEL DE LA CENTRALE VAPEUR



Description

- 1) Semelle
- 2) Commande de vapeur
- 3) Thermostat
- 4) Témoin de température de la semelle
- 5) Cordon (câble électrique+tuyau vapeur)
- 6) Commande on/off de la centrale vapeur
- 7) Témoin de vapeur d'eau
- 8) Commande principale on/off de la centrale
- 9) Câble électrique avec la prise
- 10) Valve de nettoyage de la centrale vapeur
- 11) Rainure d'enroulement du câble
- 12) Cuve
- 13) Paroi en résine
- 14) Réservoir d'eau
- 15) Orifice d'entrée de l'eau

Merci de lire attentivement les instructions avant d'installer et d'utiliser l'appareil.

Ainsi, vous bénéficierez du meilleur rendement en toute sécurité

PRÉCAUTIONS DE SÉCURITÉ

Lisez attentivement les instructions suivantes :

- Avant toute utilisation, assurez-vous que l'alimentation électrique corresponde au voltage indiqué sur la plaque de série de l'appareil (minimum 10A).
 - En cas d'incompatibilité, faites remplacer la prise murale par un électricien qualifié.
 - La sécurité électrique de l'appareil est assurée uniquement s'il est relié à la terre en accord avec la réglementation. Le fabricant décline toute responsabilité pour les dommages provenant d'une mise à la terre erronée. En cas de doute, veuillez consulter un électricien qualifié.
 - Ne laissez pas l'appareil dans une pièce où la température est en-dessous de 0°C.
 - Lors du déballage de l'appareil, vérifiez qu'il ne soit pas endommagé. En cas de doute, contactez un technicien qualifié.
 - Les emballages en plastique, mousse de polystyrène, etc. sont un danger potentiel pour les enfants et doivent être maintenus en dehors de leur portée. Il n'est pas recommandé d'employer des adaptateurs, des prises multiples et/ou des rallonges. Dans le cas contraire, veuillez employer des accessoires homologués. Ne dépassez pas le voltage maximum indiqué sur l'adaptateur.
 - Cet appareil est conçu pour un usage domestique uniquement. Tout autre emploi est considéré impropre et dangereux.
 - Le fabricant décline toute responsabilité pour les dommages provenant d'un emploi incorrect de l'appareil et/ou d'une négligence de son entretien.
- Lors de l'emploi d'un appareil électrique, quelques règles de base doivent être respectées :
- Si le câble électrique est endommagé, il doit être remplacé par le fabricant ou par un agent ou encore par un technicien

agréé pour éviter tout accident.

- Ne laissez pas les enfants près du fer quand vous utilisez la vapeur car le jet est puissant.

- Cet appareil peut être utilisé par des personnes ayant des capacités physiques, sensorielles ou mentales réduites ou un manque d'expérience et de connaissances à condition qu'elles aient reçu une supervision ou des instructions concernant l'utilisation de l'appareil en toute sécurité et qu'elles comprennent les dangers encourus. Les enfants ne doivent pas jouer avec l'appareil.

- L'appareil n'est pas destiné à être mis en fonctionnement au moyen d'une minuterie extérieure ou par un système de commande à distance séparé

- Conserver l'appareil et son câble hors de portée des enfants âgés de moins de 8 ans.

- Lors de l'utilisation d'appareils électriques, des précautions de sécurité doivent toujours être prises pour prévenir tout risque d'incendie, de choc électrique et/ou de blessure en cas de mauvaise utilisation.

- Veuillez conserver ce document à disposition et le remettre au futur propriétaire en cas de cession de votre appareil.

- L'appareil ne doit pas être utilisé s'il a chuté, s'il y a des signes visibles de dommages ou en cas de fuite.

Important :

- Ne touchez pas l'appareil si vous avez les mains ou les pieds mouillés.

- N'utilisez pas l'appareil dans une salle de bain.

- Ne tirez pas sur le câble ou l'appareil pour le débrancher du mur.
- Ne laissez pas l'appareil aux intempéries (pluie, soleil, gel, etc.).
- Ne laissez pas les enfants utiliser l'appareil sauf si vous les surveillez.
- Ne plongez pas l'appareil dans l'eau.
- Ne laissez pas le fer allumé sans l'utiliser car il peut être une source de danger.
- Avant d'effectuer un nettoyage ou un entretien de l'appareil, débranchez-le.
- Dans le cas d'un problème ou d'une panne, éteignez l'appareil et ne tentez pas de le réparer. Contactez un centre agréé et insistez pour obtenir des pièces détachées d'origine. Un non-respect de ces recommandations peut rendre l'appareil dangereux.
- Si vous décidez de ne plus employer définitivement l'appareil, débranchez-le et coupez le câble.
- L'installation de l'appareil doit suivre les instructions du fabricant.
- Le câble électrique ne doit pas être remplacé par l'utilisateur car il faut des outils spéciaux. Si le câble est endommagé, contactez un centre agréé.
- Ne mettez pas en contact le câble électrique avec la semelle du fer.
- Si le système de coupe-circuit se déclenche, le fer ne fonctionnera plus. Pour le réparer, contactez un électricien qualifié.
- Ne dirigez jamais le jet de vapeur vers quelqu'un, car vous pouvez blesser la personne.
- N'employez pas le fer sur des tissus mouillés.
- Ne mettez pas le fer sur quelqu'un quand il est chaud.
- Ne remplissez pas complètement le réservoir et n'ajoutez pas de produits du type détachant dans le réservoir d'eau ou dans la cuve de vapeur.

- Débranchez la prise du mur quand vous n'utilisez pas l'appareil. Ne le laissez pas allumé sans raison.
- Ne dévissez jamais la valve de nettoyage quand l'appareil est branché.
- L'appareil doit être posé sur une surface plane qui résiste aux températures élevées.
- Directive CEE 87/308 (D.M. 13/04/89) . Conservez ce manuel en lieu sûr. Cet appareil respecte la directive CEE 87/308 (D.M. 13/04/89) concernant la pollution due aux émissions radio.
- Cet appareil peut être utilisé par des enfants âgés d'au moins 8 ans, à condition qu'ils bénéficient d'une surveillance ou qu'ils aient reçu des instructions quant à l'utilisation de l'appareil en toute sécurité et qu'ils comprennent bien les dangers encourus.
- Le nettoyage et l'entretien par l'utilisateur ne doivent pas être effectués par des enfants, à moins qu'ils ne soient âgés de plus de 8 ans et qu'ils soient sous la surveillance d'un adulte.

PRÉPARATION DE L'APPAREIL

L'appareil emploie de l'eau ordinaire.

Si l'eau est très calcaire (dureté supérieure à 27 degrés), nous recommandons l'emploi d'eau distillée ou déminéralisée.

Avant d'employer le fer, ouvrez le réservoir (14) et ajoutez la quantité correcte d'eau par l'orifice (15) qui doit être inférieure au niveau MAX.

Branchez l'appareil.

Appuyez sur l'interrupteur principal (8), le témoin s'allume, indiquant que le fer commence à chauffer sur le mode du repassage à sec.

Au même moment, appuyez sur l'interrupteur (6) de la centrale vapeur, le témoin s'allume, indiquant que la centrale vapeur commence à chauffer sur le mode vapeur.

La pompe à eau électromagnétique de la centrale vapeur (12) s'arrête quand l'eau est assez chaude.

Réglez la température à l'aide du thermostat (3), la zone colorée indique les tissus qui peuvent être repassés.

Après 90 secondes environ, le témoin de température (4) s'éteindra, indiquant que la vapeur est prête.

Après 3 minutes environ, le témoin de vapeur d'eau (7) s'éteindra, signalant que l'appareil peut utiliser la vapeur.

Si vous désirez quitter le mode vapeur, appuyez à nouveau sur l'interrupteur (6) de la centrale

vapeur, le témoin s'éteindra, confirmant que la centrale vapeur ne chauffe plus.

INSTRUCTIONS D'EMPLOI

Vérifiez l'étiquette du fabricant sur le vêtement et lisez l'explication des symboles suivants :

REPASSAGE À LA VAPEUR

Si vous utilisez le fer pour la première fois, merci de le faire sur un tissu uni.

Cela prend 30 secondes environ pour obtenir de la vapeur en appuyant sur la commande (2).

Ce fer peut aussi projeter de la vapeur en position verticale, ce qui est utile pour défroisser des tissus facilement.

Si vous entendez la sonnerie grave de la pompe à eau quand vous repassez, ceci indique qu'il ne reste plus d'eau dans le réservoir (14). Appuyez sur l'interrupteur (6) de la centrale vapeur puis éteignez-la. Ensuite, remplissez le réservoir et appuyez à nouveau sur l'interrupteur (6) et continuez votre repassage.

ATTENTION ! N'essayez jamais d'ouvrir la valve de nettoyage (10) quand la centrale vapeur est sous pression.

REPASSAGE À SEC

Branchez l'appareil et appuyez seulement sur l'interrupteur principal (8) qui s'allume alors pour confirmer sa mise sous tension. Choisissez la température désirée à l'aide du thermostat (3) qui sera atteinte lorsque le témoin de température de la semelle (4) cessera de clignoter.

RANGEMENT DE L'APPAREIL

Après utilisation, laissez refroidir le fer avant de le ranger

- Il n'est pas nécessaire de vider la centrale vapeur après avoir repassé.
- Enroulez le cordon autour de la base du fer (10).
- Maintenez la surface de la semelle parfaitement propre. Pour cela, essuyez la semelle froide avec un chiffon humide. Il ne faut pas employer de produit détartrant.
- Ne passez pas le fer sur des fermetures-éclair, des boucles ou des anneaux car cela pourrait rayer la semelle.
- Quand vous avez terminé, posez-le sur son support en vous assurant qu'il n'y ait pas de trace d'eau car cela pourrait provoquer des taches.
- Rangez l'appareil dans un endroit sec.

NETTOYEZ LA CENTRALE VAPEUR RÉGULIÈREMENT

Enlevez la vapeur résiduelle de la centrale vapeur quand vous avez fini. Débranchez l'appareil et quand il a suffisamment refroidi, enlevez la valve de nettoyage (10) tout en mettant le fer sur le flanc pour éviter que l'eau se répande ; ajoutez de l'eau dans la centrale vapeur, introduisez la brosse et tournez-la pour nettoyer la centrale vapeur puis remuez le fer et videz le contenu. Faites-le 2-3 fois puis revissez la valve fermement.

SUGGESTIONS

- Ordonnez les vêtements à repasser par température croissante. Ainsi, commencez par ceux qui se repassent à faible température. Pour plus d'information, regardez le tableau situé à la fin de ce manuel.
- Les matières comme le velours et la laine, les accessoires comme les gants, les sacs, etc., retrouveront leur aspect neuf en projetant dessus un jet de vapeur à l'aide du fer.
- Les empreintes laissées par les meubles sur des tapis peuvent être supprimées en y projetant de la vapeur, puis en brossant légèrement.
- Si le tapis est synthétique, employez une vapeur douce.

Comment faire un repassage digne d'un professionnel

Un repassage normal exige juste un peu de vapeur d'eau. Il faut alors projeter constamment de la vapeur pour éliminer les plis du tissu en cours de repassage.

Un système de repassage professionnel fonctionne différemment. Le tissu est d'abord humidifié par la vapeur, puis dans un second temps, repassé à sec. Cela veut dire que le moindre pli est supprimé et vos vêtements sont parfaitement repassés.

Au cours de la première phase (vaporisation du tissu), maintenez le fer à 20 cm du tissu en projetant la vapeur (2). Déplacez le fer au-dessus du tissu en effectuant des mouvements circulaires pour bien l'humidifier. Il ne faut que quelques secondes pour des vêtements légèrement froissés. Par contre, pour ceux qui sont très froissés, il faudra insister davantage.

Au cours de la seconde phase (repassage à sec), vérifiez que le thermostat corresponde bien au type de vêtement, puis repassez-le. La semelle spéciale du fer permet d'éviter que les tissus se mettent à briller. En respectant cette procédure et en suivant les recommandations du tableau ci-dessous, vous obtiendrez un fini digne d'un professionnel.

Guide pour un repassage impeccable

Type de tissu	Position du thermostat	Instructions de repassage
Acétate Acrylique Nylon	●	Repassage à sec Suivre les instructions sur l'étiquette du vêtement. Généralement, ces tissus exigent un repassage très léger.
Polyester Rayonne	●	Repassage à sec Repassez l'intérieur du vêtement. Dans le cas de tissus mixtes, choisissez la température recommandée la plus basse.
Soie	● ●	Repassage à sec Repassez l'intérieur du vêtement.
Laine Coton léger Lin léger	● ●	Repassage à la vapeur Repassez l'intérieur du vêtement. Placez un tissu fin sur le vêtement pour éviter un aspect luisant.
Coton Lin	● ●	Repassage à la vapeur Humidifiez le tissu avant de le repasser. Les tissus plus

Tissus amidonnés	●	épais et amidonnés peuvent être repassés normalement. Ceux de couleur foncée ou brodés doivent être repassés de l'intérieur.
Lin	● ● ●	Repassage à la vapeur Utilisez beaucoup de vapeur et repassez les tissus foncés par l'intérieur afin d'éviter qu'ils ne brillent. Repassez les revers et les poignets normalement pour un fini meilleur.

GARANTIE

La durée de garantie de nos produits est de 2 ans, sauf décret en vigueur, à compter de la date d'achat initiale ou la date de livraison.

En cas de problèmes ou d'interrogations, vous pouvez facilement accéder à nos pages d'aides, conseils de dépannage, FAQ et modes d'emplois sur notre site SAV : <https://sav.hkoenig.com>.

En tapant le nom de référence de votre appareil dans la barre de recherche, vous accédez à tous les supports en ligne disponibles, conçus pour vous répondre au mieux à vos besoins.

Si vous ne trouvez toujours pas de réponse à votre question ou votre problème, alors cliquez sur « Est-ce que la réponse a résolu votre problème ? ». Vous accéderez alors au formulaire de demande d'assistance SAV, qu'il vous suffira de compléter pour valider votre demande et obtenir de l'aide.

CONDITIONS DE GARANTIE

La garantie couvre l'ensemble des pannes survenant dans le cadre d'une utilisation normale, conforme aux usages et spécifications présentes sur le manuel d'utilisation. Cette garantie ne s'applique pas aux problèmes d'emballage ou de transport pendant l'expédition du produit par son propriétaire. Elle n'inclut également pas l'usure normale du produit, ni la maintenance ou le remplacement de pièces consommables.

EXCLUSION DE GARANTIE

- Les accessoires et les pièces d'usure (*).
- L'entretien normal de l'appareil.
- Toutes pannes survenant par suite d'une mauvaise utilisation (chocs, non-respect des préconisations d'alimentation électrique, mauvaises conditions d'utilisation, etc.), d'un entretien insuffisant ou d'un détournement de fonction de l'appareil, ainsi que l'usage d'accessoires non appropriés.
- Les dommages d'origine externe : incendie, dégâts des eaux, surtension électrique, etc.
- Tout matériel qui aura été démonté même partiellement par des personnes autres que celles habilitées (notamment l'utilisateur).
- Les produits dont le numéro de série serait absent, détérioré ou illisible que ne permettrait pas son identification.
- Les produits soumis à la location, à la démonstration ou à l'exposition.

(*) Certaines pièces de votre appareil dites pièces d'usure ou consommables se détériorent avec le temps et la fréquence d'usage de votre appareil. Cette usure est normale, mais peut être accentuée par des mauvaises conditions d'utilisation ou entretien de votre appareil. Ces pièces ne sont donc pas couvertes par la garantie. Les accessoires fournis avec l'appareil sont également exclus du champ de la garantie. Ils ne peuvent donc être ni échangés, ni remboursés. Toutefois, certains accessoires peuvent être directement achetés via notre site : <https://sav.hkoenig.com/>.

ENVIRONNEMENT

ATTENTION :

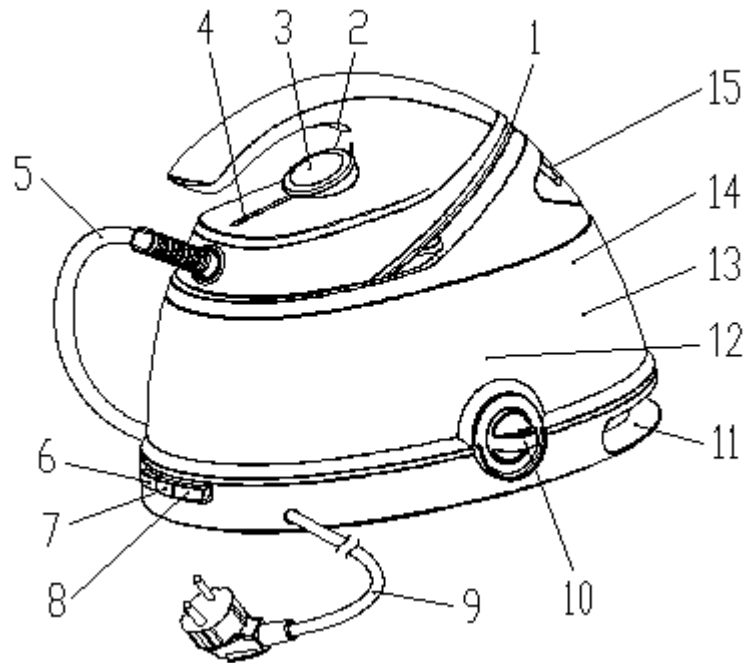


Vous ne devez pas vous débarrasser de cet appareil avec vos déchets ménagers. Un système de collecte sélective pour ce type de produit est mis en place par les communes, vous devez vous renseigner auprès de votre mairie afin d'en connaître les emplacements. En effet, les produits électriques et électroniques peuvent contenir des substances dangereuses qui ont des effets néfastes sur l'environnement ou la santé humaine et doivent être recyclés. Le symbole ci-contre indique que les équipements électriques et électroniques font l'objet d'une collecte sélective, il représente une poubelle sur roues barrée d'une croix.

Adeva SAS / H.Koenig Europe - 8 rue Marc Seguin - 77290 Mitry Mory - France
www.hkoenig.com - sav@hkoenig.com - contact@hkoenig.com - Tél: +33 1 64 67 00 05

DEUTSCH

DAMPFBÜGELSTATION BEDIENUNGSANLEITUNG



Beschreibung

- 1) Heizplatte
- 2) Dampfstrahler-Knopf
- 3) Thermostatschalter
- 4) " Erhitzen des Eisens" Lichtanzeige
- 5) Einzelner Schlauch (Versorgungskabel + Dampfschlauch)
- 6) An/Aus Kessel-Schalter
- 7) Dampf-Lichtanzeige
- 8) An/ Aus Hauptschalter
- 9) Stromkabel mit Stecker
- 10) Die Reinigungsklappe des Kessels
- 11) Aufgreif- Rille
- 12) Kessel
- 13) Harzbox
- 14) Wassertank
- 15) Wasserangabe-Deckel

Lesen Sie diese Broschüre sorgfältig, bevor Sie die Maschine installieren und benutzen. Auf diese Weise werden Sie das bestmögliche Ergebnis und maximale Sicherheit erzielen.

SICHERHEITSHINWEISE

Lesen Sie die folgenden Anweisungen sorgfältig:

- Vor dem Gebrauch, überprüfen Sie, dass die Stromversorgung mit der auf dem Nummernschild angegebenen Spannung übereinstimmt. Verbinden Sie das Gerät nur mit einer ordnungsgemäß geerdeten Steckdose (Mindestens 10A).

- Im Falle von Inkompatibilität zwischen dem Stecker und Ihrer Steckdose, lassen Sie die Steckdose von einer qualifizierten Elektrofachkraft ersetzen.

- Die elektrische Sicherheit von diesem Gerät ist nur dann garantiert, wenn es korrekt, gemäß aktuellen elektrischen Sicherheitsvorschriften geerdet worden ist. Der Hersteller lehnt jede Verantwortung für Schäden, die durch eine unangemessene Erdung des Gerätes entstanden sind. Im Zweifelsfall, wenden Sie sich an eine qualifizierte Elektrofachkraft.

- Lassen Sie kein Wasser in der Maschine, wenn die Raumtemperatur 0°C oder weniger beträgt.

- Nach dem Auspacken, überprüfen Sie das Gerät auf Beschädigungen, im Zweifelsfall benutzen Sie das Gerät nicht; kontaktieren Sie einen qualifizierten Techniker.

- Verpackungsmaterialien (Plastiktüten, Schaumpolyestern usw.) sind eine potentielle Gefahrenquelle und müssen außer Reichweite von Kindern aufbewahrt werden.

Es wird nicht empfohlen, Adapter, Mehrfachsteckdosen oder Verlängerungskabel zu benutzen. Falls es unvermeidlich ist, nutzen Sie immer Adapter, Mehrfachsteckdosen oder Verlängerungskabel, die den aktuellen Sicherheitsvorschriften entsprechen. Überschreiten Sie die auf dem Adapter angegebene maximale Nennleistung nicht.

- Das Gerät ist ausschließlich für die Haushaltsnutzung geeignet. Jede andere Verwendung wird als unsachgemäß und dementsprechend gefährlich betrachtet.

- Der Hersteller lehnt jede Verantwortung für Schäden, die durch eine unsachgemäße, inkorrekte oder achtlose Nutzung des Gerätes entstehen.
- Dieses Gerät kann von Personen mit eingeschränkten physischen, sensorischen oder geistigen Fähigkeiten oder Mangel an Erfahrung und Wissen benutzt werden, sofern sie beaufsichtigt oder angewiesen wurden, das Gerät sicher zu benutzen und die damit verbundenen Gefahren zu verstehen. Kinder sollten nicht mit dem Gerät spielen.
- Das Gerät ist nicht dafür vorgesehen, über eine externe Zeitschaltuhr oder über ein separates Fernbedienungssystem in Betrieb genommen zu werden.
- Bei der Nutzung jedes Elektrogerätes müssen einige Grundregel beachtet werden:
 - Wenn das Stromkabel beschädigt ist, muss es von dem Hersteller oder seinem Dienstleister, oder einer ähnlich qualifizierten Person ersetzt werden, um Gefährdungen zu vermeiden.
 - Erlauben Sie Kindern nicht, sich vor dem Gerät zu befinden, wenn der Strahl-Knopf gedrückt ist, da seine Reichweite groß ist.
 - Bewahren Sie das Gerät und das zugehörige Netzkabel außerhalb der Reichweite von Kindern unter 8 Jahren auf.
 - Bei der Verwendung elektrischer Geräte sind stets Sicherheitsvorkehrungen zu treffen, um bei unsachgemäßer Verwendung die Gefahr von Bränden, elektrischen Schlägen und/oder Verletzungen zu vermeiden.

vermeiden.

- Bitte halten Sie dieses Dokument bereit und geben Sie es im Falle einer Übertragung Ihres Gerätes an den zukünftigen Besitzer weiter.

- Das Gerät darf nicht benutzt werden, wenn es fallen gelassen wurde, wenn auffällige Zeichen von Beschädigungen sichtbar sind oder wenn es undicht ist.

- Houd het apparaat en het snoer buiten bereik van kinderen onder de 8 jaar.

- Bij het gebruik van elektrische apparatuur moeten altijd veiligheidsmaatregelen worden genomen om het risico van brand, elektrische schokken en/of letsel in geval van verkeerd gebruik te voorkomen.

- Bewaar dit document bij de hand en geef het aan de toekomstige eigenaar in geval van overdracht van uw apparaat.

- Het apparaat mag niet worden gebruikt als het is gevallen, er zijn duidelijke tekenen van schade zichtbaar of er zijn lekken.

- Bewahren Sie das Gerät und das zugehörige Netzkabel außerhalb der Reichweite von Kindern unter 8 Jahren auf.

- Bei der Verwendung elektrischer Geräte sind stets Sicherheitsvorkehrungen zu treffen, um bei unsachgemäßer Verwendung die Gefahr von Bränden, elektrischen Schlägen und/oder Verletzungen zu vermeiden.

- Bitte halten Sie dieses Dokument bereit und geben Sie es im Falle einer Übertragung Ihres Gerätes an den zukünftigen Besitzer weiter.

- Das Gerät darf nicht benutzt werden, wenn es fallen gelassen wurde, wenn auffällige Zeichen von Beschädigungen sichtbar sind oder wenn es undicht ist.

Insbesondere:

- Fassen Sie das Gerät nicht mit nassen oder feuchten Händen oder Füßen an.
- Benutzen Sie das Gerät nicht in Badezimmern.
- Ziehen Sie nicht an dem Stromkabel oder dem Gerät, um den Stecker aus der Steckdose zu entfernen.
- Lassen Sie das Gerät nicht den Witterungseinflüssen ausgesetzt (Regen, Sonne, Frost usw.)
- Erlauben Sie keinen Kindern und unverantwortlich handelnden Personen das Gerät zu bedienen, es sei denn sie werden beaufsichtigt.
- Tauchen Sie das Gerät nicht in Wasser.
- Lassen Sie das Eisen nicht unbeaufsichtigt, wenn es angeschaltet ist, da es eine Gefahrenquelle sein kann.
- Bevor Sie Reinigungs- oder Wartungshandlungen durchführen oder den Behälter mit Wasser füllen, trennen Sie das Gerät immer von der Hauptstromversorgung, indem Sie den Stecker ziehen.
- Im Falle von Versagen oder einer Fehlfunktion, schalten Sie das Gerät aus und versuchen Sie es nicht, Reparaturen durchzuführen. Kontaktieren Sie ein autorisiertes Service-Zentrum und bestehen Sie darauf, originale Ersatzteile zu bekommen. Nichtbeachtung von den obengenannten Regeln kann die Sicherheit des Gerätes beeinträchtigen.
- Sollten Sie sich dafür entscheiden, das Gerät nicht mehr zu benutzen, entfernen Sie den Stecker aus der Steckdose und schneiden Sie das Stromkabel durch, um das Gerät komplett funktionsunfähig zu machen.
- Das Stromkabel darf von dem Nutzer nicht ersetzt werden, weil dies spezielles Werkzeug benötigt; wenn das Stromkabel beschädigt ist, kontaktieren Sie ein qualifiziertes Service-Zentrum.
- Erlauben Sie dem Stromkabel nicht, mit der Bügelplatte in Kontakt zu kommen.
- Wenn die Sicherheitsabschaltung interveniert, wird das Eisen nicht mehr funktionieren. Um einen normalen Betrieb

wiederherzustellen, kontaktieren Sie eine qualifizierte Fachkraft.

- Richten Sie den Dampfstrahler nicht auf eine Person, dies kann extrem gefährlich sein.
- Benutzen Sie nicht das Eisen auf nassen Stoffen.
- Platzieren Sie nicht das Bügeleisen in der Nähe von Personen, wenn die Platte heiß ist.
- Überfüllen Sie den Wassertank nicht und fügen Sie keine Fleckentferner oder ähnliche Produkte zu dem Wassertank oder dem Kessel hinzu.
- Entfernen Sie den Stecker aus der Netzsteckdose, wenn das Gerät nicht benutzt wird. Lassen Sie das Gerät nicht unnötig an.
- Drehen Sie die Reinigungsklappe nie heraus, wenn das Gerät an die Stromversorgung angeschlossen ist.
- Das Gerät muss auf einer flachen Ebene platziert sein, die gegen hohe Temperaturen besonderes resistent ist.
- EWG Richtlinie 87/308(D.M. 13/04/89) 。 Bewähren Sie die Broschüre als künftige Referenz auf. Dieses Gerät entspricht EWG Richtlinie 87/308(D.M. 13/04/89 bezüglich der Unterdrückung von Funkstörungen.
- Dieses Gerät darf von Kindern ab 8 Jahren benutzt werden, sofern diese beaufsichtigt werden oder eine Einweisung in den sicheren Gebrauch des Geräts erhalten haben und die damit verbundenen Gefahren verstehen.
- Kinder dürfen das Gerät nur reinigen oder pflegen, wenn sie mindestens 8 Jahre alt sind und von einem Erwachsenen beaufsichtigt werden.

VORBEREITUNG FÜR DEN GEBRAUCH

Das Gerät verwendet normales Leitungswasser.

Bei sehr hartem Wasser (die Härte höher als 27 Grad (französisch)) empfehlen wir Ihnen, destilliertes oder entmineralisiertes Wasser zu benutzen.

Bevor Sie das Gerät benutzen, öffnen Sie die Klappe für Wasser (14) und fügen Sie die richtige

Menge Wasser in den Wassertank (13) hinzu, aber unter dem maximalen (MAX) Wasserpegel. Schließen Sie das Gerät ans Netz an.

Drücken Sie auf den Hauptschalter (8), die Power-Lichtanzeige (8) geht an, was bedeutet, dass das Bügeleisen anfängt zu arbeiten. In diesem Fall nur die Trocken-Heiß Funktion.

Gleichzeitig drücken Sie auf den Kesselschalter (6), die Kessel-Lichtanzeige (6) und die Dampf-Lichtanzeige (7) werden angehen, was bedeutet, dass der Kessel (12) den Betrieb geht. Das Gerät ist in dem Dampf-Modus.

Speisewasser von der elektromagnetischen Wasserpumpe kommt von dem Kessel (12) runter, wenn der Kessel gut genug heizt.

Wählen Sie die Temperatur mit dem Temperatur-Knopf (3), der bunte Teil zeigt den Bügelbereich, der gewählt werden kann.

Ungefähr 90 Sekunden. Die Erhitz-Anzeige (4) wird ausgehen, was die Bereitschaft des Gerätes für die Nutzung von Dampf bedeutet.

Ungefähr 3 Minuten. Die Dampf-Anzeige (7) wird ausgehen, was die Bereitschaft des Gerätes für die Nutzung von Dampf bedeutet.

Um den Dampf-Modus zu beenden, drücken Sie einfach wiederholt auf den Kesselschalter (6), die Kessel-Lichtanzeige (6) wird ausgehen, was bedeutet, dass der Dampf-Modus des Gerätes beendet ist.

Machen Sie sich mit den Symbolen von dem Hersteller auf dem Gehäuse vertraut und deuten Sie diese folgendermaßen aus:

DAMPFBÜGELN

Wenn Sie das Bügeleisen zum ersten Mal benutzen, bügeln Sie einen einfarbigen Stoff zuerst.

Erzeugen Sie Dampf indem Sie auf den Dampfknopf (2) drücken.

Dieses Gerät kann Dampf auch in einer senkrechten Position erzeugen, und kann deswegen benutzt werden, um Stoffe mit einem Dampfstrahl einfach aufzufrischen.

Wenn Sie ein lautes Restwasser-Geräusch während des Bügelns hören kann es bedeuten, dass es kein Wasser in dem Wassertank (14) gibt. Drücken Sie auf den Kessel-Knopf (6), dann trennen Sie das Gerät vom Netz. Danach füllen Sie den Wassertank (14), dann drücken Sie auf den Kessel-Knopf (6) wieder, und setzen das Bügeln fort.

ACHTUNG! Versuchen Sie es nie, die Reinigungsklappe (10) zu öffnen, während der Kessel unter Druck ist.

TROCKENBÜGELN

Schließen Sie das Gerät an die Stromversorgung, drücken Sie nur auf den Hauptschalter (8), dann wählen Sie die gewünschte Temperatur, indem Sie den Thermostatschalter (3) drehen. Warten Sie, bis die " Erhitzen des Eisens" Lichtanzeige (4) ausgeht, was darauf hinweist, dass die gewünschte Temperatur erreicht worden ist.

WEGRÄUMEN DES GERÄTES

Nach dem Gebrauch, erlauben Sie dem Bügeleisen abzukühlen, bevor Sie diesen wegräumen.

- Es ist nicht notwendig, den Kessel nach dem Bügeln zu entleeren.
- Platzieren Sie den flexiblen Dampfschlauch zusammen mit dem Versorgungskabel in dem Boden des Gerätes.
- Halten Sie die Fläche der Bügeleisenplatte immer absolut sauber. Um diese zu reinigen, wischen

Sie die kalte Fläche mit einem feuchten Tuch ab. Das Gerät darf nicht mit Entkalker gereinigt werden.

- Bügeln Sie nicht über Reißverschlüsse, Haken, Ringe usw.; Diese können die Fläche zerkratzen.
- Wenn Sie mit dem Bügeln fertig sind, platzieren Sie das Bügeleisen vorsichtig auf dem Stand. Vergewissern Sie sich, dass sich keine Wassertropfen unter der Platte befinden, da diese zu Flecken führen können.
- Bewahren Sie das Gerät an einem trockenen Ort auf.

REINIGEN SIE DEN KESSEL REGELMÄSSIG

Lösen Sie den Restdampf in dem Kessel, wenn das Bügeln beendet ist. Trennen Sie das Gerät vom Netz, wenn das Gerät abgekühlt ist. Öffnen Sie eine Seite der Reinigungsklappe (10), drehen Sie die Reinigungsklappe (10) (legen Sie das Gerät nicht flach, wenn Sie die Reinigungsklappe öffnen, ansonsten wird Wasser auslaufen). Dann fügen Sie eine passende Menge in den Kessel, führen Sie die Kessel-Reinigungsbürste ein und drehen Sie diese, um den Kessel zu reinigen, danach wedeln Sie mit der Einrichtung leicht und gießen Sie das Wasser aus. Wiederholen Sie den Vorgang 2-3 Mal, dann bauen Sie die Reinigungsklappe wieder zusammen und schrauben Sie diese fest.

VORSCHLÄGE

- Teilen Sie die Wäsche entsprechend der korrekten Bügeltemperatur. Fangen Sie mit den Kleidungsstücken an, die eine niedrigere Temperatur benötigen. Weitere Informationen finden Sie in der Tabelle am Ende der Broschüre.
- Stoffe wie Samt oder Wolle, und Zubehör wie zum Beispiel Handschuhe, Handtaschen, usw. gewinnen ihr nagelneues Aussehen und Textur zurück, indem Sie einfach das Bügeleisen nah zur Stofffläche führen und auf die Dampftaste drücken.
- Teppichabdrücke von Möbel können entfernt werden, indem Sie den Dampf auf die Teile anwenden, wo der Flor eingedrückt ist, und diese leicht bürsten.

Wenn der Teppich aus dem künstlichen Stoff produziert ist, wählen Sie keine hohen Temperaturen.

Wie erreicht man einen professionellen Bügeleffekt

Ein normaleres Bügeleisen generiert nur eine kleine Menge von Dampf. In diesem Fall ist es notwendig, den Dampf mehrfach zu produzieren, um die Falten auf dem zu bügelndem Stoff zu entfernen.

Ein professionelles Bügelsystem funktioniert ziemlich unterschiedlich. Der Stoff wird zuerst durch den Dampf feucht gemacht, und dann, in der zweiten Phase, trocken gebügelt in der üblichen Weise. Das bedeutet, dass jede winzigste Falte entfernt und die Kleidung perfekt gebügelt ist.

In der ersten Phase (Dampfbefeuchtung von dem Stoff), halten Sie das Bügeleisen ungefähr 20 cm über den Stoff und drücken Sie auf den Dampf (2). Führen Sie das Bügeleisen über den Stoff in einer Kreisbewegung, so dass der starke Dampfstrahl den Stoff befeuchtet. Leicht gefaltete Kleidungsstücke brauchen nur einige Sekunden unter dem Strahler, während schwere Stoffe oder Kleidungsstücke mit besonders starken Falten feuchter werden müssen, so dass der Dampf einige Sekunden länger eingesetzt werden kann.

Während der zweiten Phase (Trockenbügeln), vergewissern Sie sich, dass der Thermostatschalter sich in der richtigen für gewisse Stofftypen Position befindet; Lassen Sie den Dampfknopf los und bügeln Sie das Kleidungsstück trocken. Die spezielle Bügelplatte wird den Glanz von Stoffen verhindern. Durch die Anwendung dieser Bügeltechnik und das Befolgen von Empfehlungen in der Tabelle unten werden Sie es einfach finden, Ihren Kleidungsstücken einen wirklich professionellen Bügeleffekt zu verleihen.

Anleitung zum perfekten Bügeln

Textilart	Position des Thermostatschalters	Bügelanweisungen
Azetat Acryl Nylon	●	Trocken bügeln Folgen Sie den Anweisungen auf dem Label des Kleidungsstücks Diese Textilart benötigt normalerweise sehr leichtes Bügeln.
Polyester Rayon	●	Trocken bügeln Von innen bügeln. Wenn Sie gemischte Textilarten bügeln, wählen Sie die niedrigste empfohlene Temperatureinstellung.
Seide	● ●	Trocken bügeln Von innen bügeln.
Wolle Leichte Baumwolle Leichte Leinen	● ●	Dampfbügeln Von innen bügeln. Platzieren Sie ein dünnes Tuch über den Stoff, um einen glänzenden Effekt zu vermeiden.
Baumwolle Feine Leinen Gestärkte Stoffe	● ● ●	Dampfbügeln Befeuchten Sie den Stoff vor dem Bügeln. Schwerere und gestärkte Stoffe können von außen gebügelt werden; dunklere Farben und bestickte Stoffe müssen von innen gebügelt werden.

Leinen	<ul style="list-style-type: none"> ● ● ● 	<p>Dampfbügeln</p> <p>Wenden Sie viel Dampf an und bügeln Sie die dunklen Stoffe von innen, um einen glänzenden Effekt zu vermeiden. Bügeln Sie Aufschläge und Manschetten auf der rechten Seite für ein besseres Ergebnis.</p>
--------	---	---

GARANTIE

Die Garantiezeit für unsere Produkte beträgt 2 Jahre, sofern keine anderen Bestimmungen gelten, ab dem Datum des ursprünglichen Kaufs oder ab dem Lieferdatum.

Bei Problemen oder Fragen können Sie sich an unsere Hilfeseiten, Tipps zur Fehlerbehebung, FAQs und Bedienungsanleitungen auf unserer Kundendienst-Website wenden: <https://sav.hkoenig.com>.

Wenn Sie den Referenznamen Ihres Geräts in die Suchleiste eingeben, erhalten Sie Zugang zu allen verfügbaren Online-Supports.

Wenn Sie immer noch keine Antwort auf Ihre Frage oder Ihr Problem finden, dann klicken Sie auf "Hat die Antwort Ihr Problem gelöst?". Sie können dieses Formular ausfüllen, um Ihre Anfrage zu bestätigen und Hilfe zu erhalten.

GARANTIEBEDINGUNGEN

Die Garantie deckt alle Defekte ab, die bei normalem, bestimmungsgemäßem Gebrauch und den in der Bedienungsanleitung enthaltenen Spezifikationen auftreten.

Diese Garantie gilt nicht für Probleme mit der Verpackung oder dem Transport während des Versands des Produkts durch den Eigentümer. Sie umfasst auch nicht den normalen Verschleiß des Produkts, die Wartung oder den Austausch von Verschleißteilen.

AUSSCHLUSS DER GARANTIE

- Zubehör und Verschleißteile (*).
- Die normale Wartung des Geräts.
- Alle Defekte, die durch unsachgemäßen Gebrauch (Stöße, Nichteinhaltung der empfohlenen Stromzufuhr, schlechte Nutzungsbedingungen usw.), unzureichende Wartung oder Zweckentfremdung des Geräts auftreten, sowie die Verwendung von ungeeignetem Zubehör.
- Schäden durch äußere Einflüsse: Brand, Wasserschäden, elektrische Überspannung usw.
- Alle Geräte, die von anderen als den befugten Personen (insbesondere dem Nutzer) auch nur teilweise auseinanderggebaut wurden.
- Produkte, deren Seriennummer fehlt, beschädigt oder unleserlich ist, sodass sie nicht identifiziert werden können.
- Produkte, die vermietet, vorgeführt oder ausgestellt werden.

(*). Einige Teile Ihres Geräts, die als Verschleißteile oder Verbrauchsmaterialien bezeichnet werden, verschleiben mit der Zeit und der Häufigkeit der Nutzung Ihres Geräts. Diese Abnutzung ist normal, kann aber durch falsche Nutzung oder Pflege Ihres Geräts noch verstärkt werden. Diese Teile sind daher nicht durch die Garantie abgedeckt.

Das mit dem Gerät gelieferte Zubehör ist ebenfalls von der Garantie ausgeschlossen. Sie können daher weder umgetauscht noch erstattet werden. Einige Zubehörteile können jedoch direkt über

unsere Website <https://sav.hkoenig.com/> erworben werden.

UMWELT

ACHTUNG:

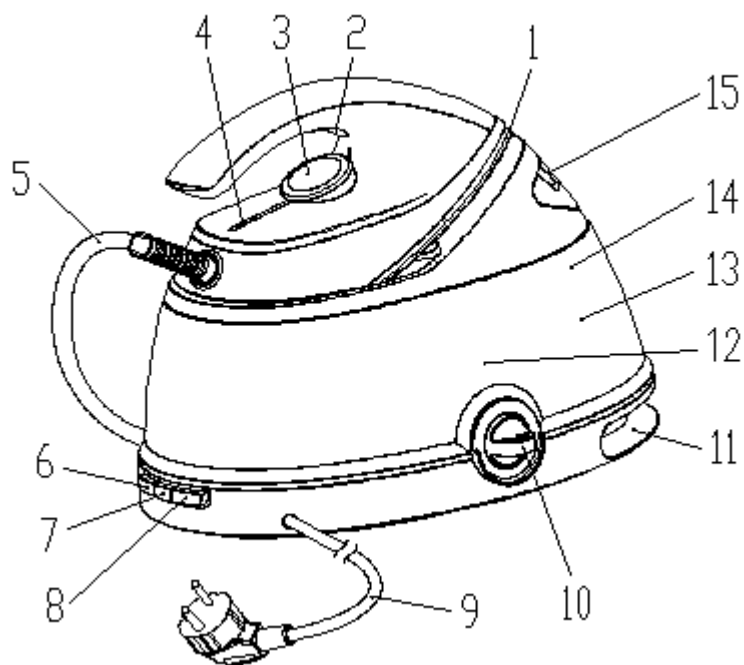


Werfen Sie nicht dieses Produkt, wie es mit anderen Haushaltsprodukten hat. Es gibt eine Mülltrennung von diesem Produkt in Gemeinden, Sie müssen Ihre lokalen Behörden über die Orte, wo man dieses Produkt zurückgeben können zu informieren. In der Tat enthalten elektrische und elektronische Produkte gefährliche Stoffe, die schädliche Auswirkungen auf die Umwelt oder die menschliche Gesundheit haben und sollte recycelt werden. Das Symbol hier darauf hinweisen, dass elektrische oder elektronische Geräte sollten sorgfältig ausgewählt werden, ist ein fahrbarer Abfallbehälter mit einem Kreuz markiert.

Adeva SAS / H.Koenig Europe - 8 rue Marc Seguin - 77290 Mitry Mory - France
www.hkoenig.com - sav@hkoenig.com - contact@hkoenig.com - Tél: +33 1 64 67 00 05

NEDERLANDS

STOOMSTATION STRIJKIJZER INSTRUCTIES



Beschrijving

- 1) Warmteplaat
- 2) Stoomknop
- 3) Thermostaatknop
- 4) 'Strijkijzer verwarm' indicator
- 5) Enkele slang (toevoerkabel en stoomslang)
- 6) Aan/uit boilerschakelaar
- 7) Stoom indicator
- 8) Aan/uit hoofdschakelaar
- 9) Stroomkabel met stekker
- 10) De schoonmaak klep van de boiler
- 11) Optil gleuf
- 12) Boiler
- 13) Kunststof box
- 14) Watertank
- 15) Watertoevoeging klep

Lees deze gebruikershandleiding zorgvuldig door, voor installatie en gebruik van het apparaat.

Op deze manier krijgt u de beste resultaten en maximale veiligheid.

VEILIGHEIDSWAARSCHUWINGEN

Lees de volgende instructies zorgvuldig door:

- Voor gebruik eerst controleren of de spanningsbron overeenkomt met de spanning op het typeplaatje. Sluit het apparaat alleen aan op een juist geaard stopcontact (minimaal 10A).
 - Als de stekker niet overeenkomt met het stopcontact, laat dan een gekwalificeerde elektricien het stopcontact vervangen.
 - De elektrische veiligheid van dit apparaat wordt alleen gegarandeerd als het juist wordt geaard volgens de huidige veiligheidsregels. De fabrikant is niet aansprakelijk voor enige vorm van schade resulterend door een onjuiste aarding van het apparaat. Bij twijfel, raadpleeg een elektricien.
 - Laat geen water in het apparaat zitten als de kamertemperatuur onder 0°C komt.
 - Na het uitpakken, controleer het apparaat op schade, en bij twijfel, niet het apparaat gebruiken en een elektricien raadplegen.
 - Verpakkingsmaterialen (plastic zakken, piepschuim, etc.) kunnen gevaarlijk zijn en moeten uit de buurt van kinderen worden gehouden.
- Het wordt niet aangeraden om adapters, verdelers en/of verlengkabels te gebruiken. Indien het noodzakelijk is, gebruik dan altijd adapters, verdelers en verlengkabels die voldoen aan de huidige veiligheidsregels. Overschrijdt niet het maximaal vermogen wat op de adapter staat aangegeven.
- Dit apparaat is alleen voor huishoudelijk gebruik. Ander gebruik van het apparaat wordt ongeschikt geacht en is daardoor gevaarlijk.
 - De fabrikant is niet aansprakelijk voor enige vorm van schade resulterend door een onjuist, verkeerd of nalatig gebruik van het apparaat.

- Dit apparaat kan worden gebruikt door personen met beperkte fysieke, zintuiglijke of geestelijke vermogens of met gebrek aan ervaring en kennis, mits zij onder toezicht staan of onderricht zijn in het veilige gebruik van het apparaat en de daaraan verbonden gevaren begrijpen. Kinderen mogen niet met het apparaat spelen.

- Het apparaat is niet bedoeld om te worden bediend door middel van een externe timer of een afzonderlijk afstandsbedieningssysteem.

- Bij het gebruik van een elektrisch apparaat, moet altijd de basisregels worden opgevolgd:

- Als de stroomkabel beschadigd is, moet het worden vervangen door de fabrikant, een servicemonteur of een gelijkwaardig gekwalificeerd persoon om gevaren te vermijden.

- Laat geen kinderen voor het strijkijzer staan als de 'Jet knop' wordt ingedrukt, het bereik gaat ver.

- Houd het apparaat en het snoer buiten bereik van kinderen onder de 8 jaar.

- Bij het gebruik van elektrische apparatuur moeten altijd veiligheidsmaatregelen worden genomen om het risico van brand, elektrische schokken en/of letsel in geval van verkeerd gebruik te voorkomen.

- Bewaar dit document bij de hand en geef het aan de toekomstige eigenaar in geval van overdracht van uw apparaat.

- Het apparaat mag niet worden gebruikt als het is gevallen, er zijn duidelijke tekenen van schade zichtbaar of er zijn lekken.

In het bijzonder:

- Gebruik het apparaat niet met natte of vochtige handen of voeten.
- Gebruik het apparaat niet in de badkamer.
- Trek niet aan de stroomkabel om de stekker uit het stopcontact te halen.
- Stel het apparaat niet bloot aan de elementen (regen, zon, vorst, etc.).
- Laat het apparaat niet gebruikt worden door kinderen of onverantwoorde personen tenzij er toezicht is.
- Niet het apparaat onderdompelen onder water.
- Laat het apparaat niet onbeheerd achter als het ingeschakeld is, dit is gevaarlijk.
- Voor het schoonmaken of onderhouden van het apparaat of het vullen van de tank, altijd eerst het apparaat van de spanningsbron halen door de stekker te verwijderen.
- Als het apparaat niet goed functioneert, schakel het dan uit en probeer het niet te repareren. Neem contact op met een bevoegd reparatiepunt en zorg dat er originele onderdelen worden gebruikt. Het niet opvolgen van de bovenstaande punten kan gevolgen hebben voor de veiligheid van het apparaat.
- Als u besluit het apparaat niet meer te gebruiken, verwijder de stekker uit het stopcontact en maak de stroomkabel los zodat het niet meer bruikbaar is.
- De installatie moet worden uitgevoerd volgens de instructies van de fabrikant.
- De stroomkabel mag niet vervangen worden door de gebruiker, omdat dit speciaal gereedschap vereist, als de stroomkabel beschadigd is, neem contact met op met een reparatiepunt.
- Zorg dat de stroomkabel niet in contact komt met de strijkbout.
- Als de veiligheidsonderbreking ingeschakeld is, zal het

strijkijzer niet meer functioneren. Om dit te herstellen. Neem contact op met een elektricien.

- Nooit de stoom richting personen spuiten, dit is uitermate gevaarlijk.
- Gebruik het strijkijzer niet op hele natte stoffen.
- Gebruik het strijkijzer niet op de persoon als de plaat heet is.
- Doe de watertank niet te vol en voeg geen vlekkenverwijderaars of dergelijke producten toe in de watertank of boiler.
- Haal de stekker uit het stopcontact als het apparaat niet gebruikt wordt. Laat het apparaat niet onnodig aanstaan.
- Nooit de schoonmaakklep openmaken als het apparaat nog aangesloten zit aan het stroomnet.
- Het apparaat moet worden geplaatst op een vlakke ondergrond die tegen hoge temperaturen kan.
- EEC Richtlijn 87/308(D.M. 13/04/89). Bewaar dit boekje op een veilige plek voor toekomstig gebruik. Dit apparaat voldoet aan EEC Richtlijn 87/308(D.M. 13/04/89) wat betreft verstoring van de radio.
- Dit apparaat mag worden gebruikt door kinderen vanaf 8 jaar en ouder indien dit gebeurt onder toezicht, als zij van tevoren instructies hebben ontvangen betreffende het veilige gebruik van het apparaat en als zij de mogelijke gevaren kennen.
- Reiniging en onderhoud mogen niet worden uitgevoerd door kinderen tenzij ze 8 jaar of ouder zijn en onder toezicht van een volwassene staan.

PREPARATIE VOOR GEBRUIK

Het apparaat gebruikt gewoon leidingwater. Als het water erg hard is (hardheid hoger dan 27 graden Frans). Raden we gedistilleerd of gedemineraliseerd water aan.

Voor gebruik, eerst de klep van het water (15) openen, voeg de juiste hoeveelheid water toe in de watertank (14), dit moet onder de MAX waterniveau blijven. Sluit het apparaat en de stroomkabel aan. Druk op de hoofdschakelaar (8), de indicator gaat aan (8), wat betekent dat het strijkijzer in

werking is. In deze stand kunt u alleen droog strijken.

U kunt ook de boilerknop indrukken (6), het boilerindicator (6) en de stoomindicator (7) gaan aan, wat betekent dat de boiler (12) aanstaat. Het apparaat staat in stoommodus.

Het water komt van de elektromagnetische waterpomp uit de boiler als de boiler (12) genoeg is opgewarmd. Kies de temperatuur met de thermostaatknop (3), het gekleurde deel geeft aan wel strijkgebied kan worden gekozen. Na 90 seconden. De verwarmindicator (4) zal uitgaan, wat betekent dat het apparaat stoom kan gebruiken.

Na 3 minuten. De stoomindicator (7) zal uitgaan, wat betekent dat er stoom gebruikt kan worden. Als u de stoommodus afsluit, druk dan nog eens op de boilerknop (6), de boilerindicator (6) gaat uit, wat betekent dat het apparaat niet meer in de stoommodus staat.

Controleer het label van de fabrikant op de kleding en interpreteer de symbolen op het label als volgt.

STOOMSTRIJKEN

Bij het eerste gebruik, strijk dan eerst een simpele doek. Maak stoom door de stoomknop (2) in te drukken. Dit apparaat kan ook stoom genereren in een verticale houding en kan daardoor kleren verfrissen met wat stoom.

Als er een luid water hoort stromen tijdens het strijken, betekent dat dat er geen water meer in de watertank (14) zit. Druk op de boilerknop (6) en schakel de boiler uit. Na het vullen van de watertank (14), druk de boilerknop (6) nog een keer in en u kunt strijken.

WAARSCHUWING! Nooit proberen de schoonmaakklep (10) te openen als de boiler onder druk staat.

DROOG STRIJKEN

Verbind het apparaat met de spanningsbron, druk alleen op de hoofdknop (8), kies dan de gewenste temperatuur door te draaien aan de thermostaatknop (3). Wacht tot de verwarm indicatie (4) uitgaat, wat aangeeft dat de gewenste temperatuur is bereikt.

HET APPARAAT WEGZETTEN

- Na gebruik altijd het apparaat laten afkoelen voor het wegzetten.
- Het is niet nodig na gebruik de boiler leeg te maken.
- Plaats de flexibele stoom en stroomkabel samen in de basis van het apparaat (10).
- Hou altijd het oppervlak van de plaat helemaal schoon. Om het schoon te maken, veeg het koude oppervlak schoon met een vochtige doek. Het apparaat mag niet worden schoongemaakt met schoonmaakmiddelen.
- Niet strijken over ritsen, ringen, etc., daardoor kunnen er krassen op de plaat komen.
- Als u klaar bent met strijken. Plaats het strijkijzer goed in zijn houder. Controleer dat er geen resten water onder de plaat zitten, die kunnen vlekken veroorzaken.
- Bewaar het apparaat op een droge plek.

Maak regelmatig de boiler schoon

Laat het laatste stoom vrij als de boiler leeg is. Schakel de stroom uit, als het apparaat voldoende is afgekoeld doe één kant van de schoonmaakklep (10) omhoog, draai de klep (leg het apparaat niet neer met een open klep, anders loopt het water eruit). Vul de boiler met geschikt water, plaats de

schoonmaakborstel en draai de borstel om de boiler schoon te maken, draai het apparaat langzaam om en giet het water eruit. Herhaal dit 2-3 keer, doe de schoonmaakklep dat weer terug en schroef hem goed vast.

Suggesties

- Verdeel de was volgens de juiste strijktemperaturen. Begin met het strijken van de kleding die een lagere temperatuur nodig hebben. Voor meer details, kijk achterin dit boekje.
- Stoffen als fluweel en wol, en accessoires als handschoenen, handtassen, etc. zullen hun nieuwe uitstraling behouden door met het strijkijzer even langs het oppervlak van de stof te gaan en dan op de stoomknop te drukken.
- Afdrukken die achtergelaten zijn in kleden door meubels kunnen worden verwijderd door stoom te gebruiken op de delen die ingedrukt zijn en door zachtjes te borstelen.

Als het kleed van een synthetisch materiaal is, gebruik dan geen hoge temperatuur.

Hoe een professioneel strijkresultaat krijgen

Een normaal strijkijzer produceert maar een klein beetje stoom. Dan is noodzakelijk om te blijven strijken om kreukels uit de stof te krijgen.

Een professioneel strijksysteem werkt anders. Eerst wordt de stof vochtig gemaakt door de stoom, en in de tweede fase, wordt er normaal droog gestreken. Dat verandert alles. De kleinste kreukel wordt verwijderd en uw kleding wordt perfect gestreken.

In de eerste fase (maak de stof vochtig met stoom), hou het strijkijzer ongeveer 20 cm boven de stof en druk de stoomknop(2). Ga met het strijkijzer over de kleding in een ronde beweging zodat de krachtige stoom de stof bevochtigd. Licht gekreukelde kleding heeft maar weinig stoom nodig. Terwijl kleding van zware stoffen met lastige kreukels goed moeten worden bevochtigd, dan is er wat langer stoom nodig.

Tijdens de tweede fase (droog strijken), controleer dat de thermostaatknop op de juiste positie staat voor de stof, laat de stoomknop (2) los en strijk de kleding droog. De speciale strijkplaat zal voorkomen dat de stoffen zullen gaan glimmen. Door gebruik van deze strijktechniek, en door het volgen van de suggesties in de onderstaande tabel, kunt u gemakkelijk uw kleding een professionele strijkbeurt geven.

Gids voor tot het perfecte strijken		
Soort stof	Stand van de thermostaat knop	Strijkinstructies
Acetaat Acryl Nylon	●	Droog strijken Volg de instructies op het label van de kleding. Deze stof heeft over het algemeen maar licht gestreken te worden.
Polyester Viscoserayon	●	Droog strijken Strijk binnenstebuiten. Bij het strijken van verschillende stoffen. Kies de laagste aanbevolen temperatuur.
Zijde.	● ●	Droog strijken Strijk binnenstebuiten.
Wol Dun katoen Dun linnen	● ●	Stoomstrijken Strijk binnenstebuiten. Leg een dunne doek over de stof om glimmen te voorkomen
Katoen Fijn linnen Stijve stoffen	● ● ●	Stoomstrijken Bevochtig de stof voor het strijken Zware stoffen en stijve stoffen kunnen worden gestreken aan de voorkant, donkere kleuren en kleding met decoraties moeten binnenstebuiten worden gestreken.
Linnen	● ● ●	Stoomstrijken Gebruik voldoende stoom en strijk donkere stoffen binnenstebuiten om glimmen te voorkomen, strijk revers en manchetten aan de goede kant voor een beter resultaat.

GARANTIE

De garantieperiode op onze producten is 2 jaar, tenzij anders vermeld, beginnend vanaf de datum van de initiële aankoop of bezorgdatum.

Als u problemen of vragen heeft, kunt u eenvoudig onze hulppagina's bezoeken voor tips om problemen op te lossen, de FAQ's en andere gebruikershandleidingen op onze website: <https://sav.hkoenig.com>.

Door de referentiernaam van uw apparaat in de zoekbalk te typen, krijgt u toegang tot alle beschikbare online hulpmiddelen, ontworpen om aan uw behoeften te voldoen.

Als u toch niet geen antwoord op uw vraag kunt vinden, klik dan op "Heeft het antwoord uw probleem opgelost? Hierdoor gaat u naar het Aanvraagformulier voor Klantenondersteuning, dat u in kunt vullen om uw verzoek te valideren en hulp te ontvangen.

GARANTIEVOORWAARDEN

De garantie dekt alle mankementen die voortkomen uit normaal gebruik, volgens de sectie gebruik en specificaties in de gebruikershandleiding.

Deze garantie omvat niet verpakings- of transportproblemen tijdens het vervoer van het product door de eigenaar. Het omvat ook niet de normale slijtage van het product, noch het onderhoud of vervangen van verbruiksartikelen.

UITSLUITINGEN VAN DE GARANTIE

- Accessoires en verbruiksartikelen (*).
- Normaal onderhoud van het apparaat.
- Alle mankementen veroorzaakt door verkeerd gebruik (schokken, het niet opvolgen van de aanbevolen stroomvoorziening, in slechte omstandigheden gebruiken, etc.), onvoldoende onderhoud of ondeugdelijk gebruik van het apparaat, alsook het gebruik van ongeschikte accessoires.
- Schade van buitenaf: vuur, waterschade, elektrische stroompiek, etc.
- Apparaten die uit elkaar zijn gehaald, ook gedeeltelijk, door personen die niet er niet gekwalificeerd voor zijn (zoals de gebruiker).
- Producten waarvan het serienummer verdwenen, beschadigd of onleesbaar is, waardoor we het niet kunnen identificeren.
- Producten die verhuurd werden of ter demonstratie of showmodel waren.

(*). Sommige onderdelen van uw apparaat, genaamd verbruiksartikelen, slijten naar verloop van tijd en bij veel gebruik van uw apparaat. Deze slijtage is normaal, maar kan verergerd worden door slechte omstandigheden of onderhoud van uw apparaat. Deze onderdelen worden daarom niet gedekt door de garantie.

De accessoires meegeleverd met het apparaat zijn ook uitgesloten van de garantie. Ze kunnen niet vervangen of gerestitueerd worden. Echter, sommige accessoires zijn te koop via onze website: <https://sav.hkoenig.com/>.

MILIEU

ATTENTIE:

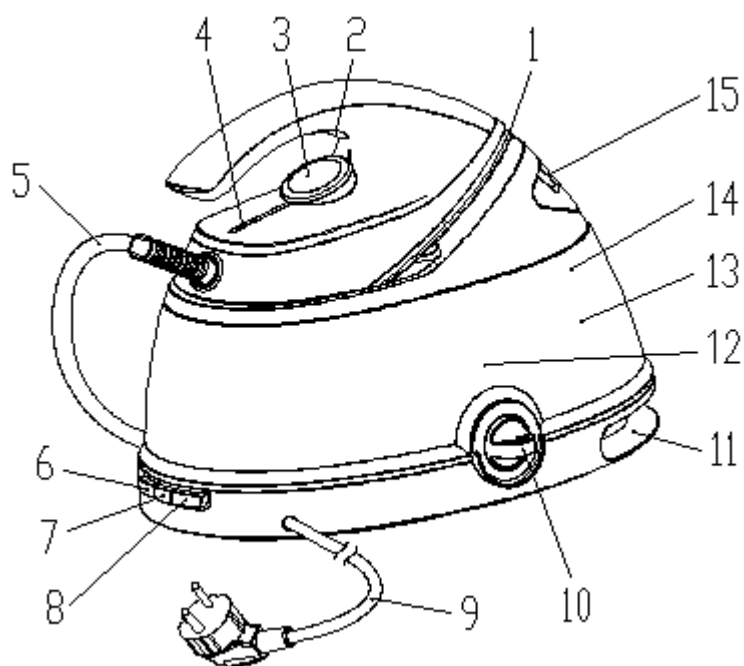


Dit apparaat mag niet met uw ander huishoudelijke toestellen worden verwijderd. Dit product moet op een geselecteerde stortplaats verwijderd worden. U kunt bij de gemeente een indiceerde plaats aanvragen. Elektrisch en elektronische producten kunnen gevaarlijke stoffen inhouden die schadelijk zijn voor mensen en het milieu en moet recycled worden. Het symbool aan de kant geeft aan dat het een elektrisch en elektronisch toestel is en zijn dus artikelen van een selectieve collectie. Het beeld geeft een afvalbak met een X teken aan.

Adeva SAS / H.Koenig Europe - 8 rue Marc Seguin - 77290 Mitry Mory - France
www.hkoenig.com - sav@hkoenig.com - contact@hkoenig.com - Tél: +33 1 64 67 00 05

ESPAÑOL

ESTACIÓN DE PLANCHA AL VAPOR - MANUAL DE INSTRUCCIONES



Descripción del producto

- 1) Suela calefactora
- 2) Botón para chorro de vapor momentáneo
- 3) Selector de temperatura
- 4) Indicador de temperatura de la plancha
- 5) Manguera integrada (alimentación + entrada de vapor)
- 6) Interruptor de la caldera
- 7) Indicador de disponibilidad de vapor
- 8) Interruptor principal de la estación
- 9) Cable de alimentación con enchufe
- 10) Válvula de escape de la caldera
- 11) Ranura de recogida para cable de alimentación
- 12) Caldera de la estación
- 13) Unidad principal de la estación
- 14) Depósito de agua
- 15) Entrada del depósito de agua con tapa

Lea atentamente todas las instrucciones en este manual antes de instalar y utilizar su plancha. De esta forma, obtendrá mejores resultados y una máxima seguridad operativa.

INSTRUCCIONES DE SEGURIDAD

Lea cuidadosamente las siguientes instrucciones:

- Antes de enchufar la plancha al tomacorriente, verifique que la tensión de su red eléctrica se corresponda con la que se muestra en la placa de características de la estación. Conecte su plancha solamente en tomacorrientes conectados a tierra (mínimo 10 A).
- En caso de incompatibilidad entre el enchufe y el tomacorriente, haga que el tomacorriente sea reemplazado por un electricista cualificado.
- La seguridad eléctrica de este electrodoméstico solo es garantizada si el mismo está correctamente conectado a tierra de acuerdo con las normas de seguridad eléctrica vigentes. El fabricante declina toda responsabilidad por cualquier daño que resulte de una conexión a tierra inadecuada. En caso de dudas, consulte a un electricista cualificado.
- No deje agua en el depósito de la estación cuando la temperatura ambiente sea de 0°C o menor.
- Después de desembalar, verifique que el electrodoméstico no esté dañado, en caso de duda, no use la estación y contacte a un técnico cualificado.
- Los materiales de embalaje (bolsas de plástico, cajas, nylon, poliestireno, etc.) son una fuente potencial de peligro y se deben mantener fuera del alcance de los niños.
- No es aconsejable usar adaptadores, enchufes múltiples y/o extensiones. En los casos en que esto sea inevitable, siempre use adaptadores, enchufes múltiples y extensiones que cumplan con las normas de seguridad vigentes. No exceda la potencia máxima que se muestra en el adaptador.
- Este electrodoméstico está diseñado solo para uso doméstico. Cualquier otro uso se considera inapropiado y por lo tanto, peligroso.

- El fabricante declina toda responsabilidad por cualquier daño que resulte del uso incorrecto, descuidado o imprudente de la estación.
- - Este aparato puede ser utilizado por personas con capacidades físicas, sensoriales o mentales reducidas o con falta de experiencia y conocimientos, siempre y cuando hayan recibido supervisión o instrucción sobre el uso seguro del aparato y comprendan los peligros que conlleva. Los niños no deben jugar con el aparato.
- - El aparato no está destinado a funcionar mediante un temporizador externo o un sistema de control remoto independiente
- Cuando se trata de electrodomésticos, siempre debe acatar las precauciones básicas de seguridad.
- Si el cable de alimentación está dañado, deberá ser reemplazado por el fabricante, su agente de servicios técnicos o una persona cualificada, a fin de evitar una situación peligrosa.
- Verifique que no haya niños cerca de la plancha cuando vaya a presionar el botón para chorro de vapor momentáneo, el chorro tiene un largo alcance.
- Mantenga el aparato y su cable eléctrico fuera del alcance de niños de menos de 8 años.
- Al utilizar equipos eléctricos, siempre se deben tomar precauciones de seguridad para evitar el riesgo de incendio, descarga eléctrica y/o lesiones en caso de uso indebido.
- Por favor, tenga este documento a mano y entréguelo al futuro propietario en caso de transferencia de su dispositivo.

- El dispositivo no debe utilizarse si se ha caído, si hay signos evidentes de daño o si hay fugas.

En particular:

- No toque la plancha si sus manos o pies están mojados o húmedos.
- No use la plancha en el baño.
- No tire del cable de alimentación para desconectar el enchufe del tomacorriente.
- No deje su plancha expuesta a agentes atmosféricos (lluvia, sol, sereno, etc.).
- No permita que la plancha sea utilizada por niños o personas irresponsables a menos que estén bajo supervisión adulta.
- No sumerja la plancha en el agua.
- No deje la plancha desatendida cuando la misma esté encendida, esto puede ser muy peligroso.
- Antes de realizar cualquier operación de limpieza o mantenimiento, o cuando vaya a agregar agua en el depósito de la estación, siempre desenchufe el cable de alimentación del tomacorriente.
- En caso de fallas o mal funcionamiento, apague la plancha y no intente realizar reparaciones. Póngase en contacto con un centro de servicios autorizado e insista en piezas de repuesto originales. El incumplimiento de los puntos anteriores puede afectar el funcionamiento del electrodoméstico.
- Si decide no volver a utilizar el electrodoméstico, desenchúfelo y retire el cable de alimentación de la estación para inutilizarla por completo.
- La estación debe ser instalada siguiendo las instrucciones del fabricante.
- El cable de alimentación no debe ser reemplazado por el usuario, ya que esto requiere el uso de herramientas especiales; si el cable de alimentación está dañado, comuníquese con un centro de servicios autorizado.

- No permita que el cable de alimentación entre en contacto con la suela calefactora de la plancha.
- Si se activa la desconexión automática de seguridad, la estación queda inoperable. Para restablecer el funcionamiento normal contacte a un electricista cualificado.
- Nunca dirija el chorro de vapor en dirección a las personas, ya que esto puede ser extremadamente peligroso.
- No use la plancha en telas demasiado húmedas.
- No permita que la plancha entre en contacto con su cuerpo, ni la coloque por la suela calefactora cuando esté caliente.
- No llene demasiado el depósito de agua y no agregue quitamanchas o productos similares en el depósito ni en la caldera.
- Retire el enchufe del tomacorriente cuando no esté usando la estación. No deje la estación encendida innecesariamente.
- Nunca afloje o desenrosque la válvula de escape de la caldera cuando la estación esté conectada al tomacorriente.
- La estación de planchado se debe colocar sobre una superficie plana y que sea particularmente resistente al calor.
- Directiva CEE 87/308 (D.M. 13/04/89). Guarde este documento en un lugar seguro para posibles referencias en el futuro. Este electrodoméstico cumple con la Directiva CEE 87/308 (D.M. 13/04/89) con respecto a la supresión de las perturbaciones radioeléctricas.
- Este aparato puede ser utilizado por niños de al menos 8 años de edad, siempre que cuenten con supervisión y hayan recibido instrucciones sobre el uso seguro del electrodoméstico y sean plenamente conscientes de los peligros que implica.

- La limpieza y mantenimiento de la máquina no debe ser efectuada por niños a menos que tengan como mínimo 8 años de edad y cuenten con la supervisión de un adulto.

PREPARACIÓN PARA EL USO

La estación funciona con agua corriente común.

Si el agua es muy dura (dureza superior a 27 grados en el sistema Francés), sugerimos que utilice agua destilada o desmineralizada.

Antes de usar la estación de planchado, abra la entrada del depósito de agua (15), agregue la cantidad de agua correcta en el depósito (15), nunca se debe sobrepasar el nivel MAX.

Conecte la estación al tomacorriente.

Presione el interruptor principal de la estación (8). La luz de este interruptor (8) se iluminará, indicando que la estación ya está encendida. En estas condiciones, la estación está disponible solamente para el planchado en seco.

Con la estación encendida, presione el interruptor de la caldera (6). La luz de este interruptor (6) y la luz del indicador de vapor (7) se iluminarán, indicando que la caldera de la estación (12) empezó a funcionar. Ahora la estación está disponible para el planchado al vapor.

El agua suministrada por la bomba electromagnética de la estación baja hacia la caldera (12) cuando esta última ya ha calentado lo suficiente.

Escoja la temperatura deseada en el selector de temperatura (3). La escala de colores en el indicador de temperatura determina los niveles de calor disponibles.

Al cabo de unos 90 segundos, la luz del indicador de temperatura (4) se apagará, entonces la estación está lista para iniciar el planchado normal.

Al cabo de unos 3 minutos, la luz del indicador de vapor (7) se apagará, entonces la estación está lista para el planchado al vapor.

Si desea cancelar el planchado al vapor, simplemente presione de nuevo el interruptor de la caldera (6), la luz del indicador de la caldera (6) se apagará, indicando que la estación deshabilitó el modo vapor.

Verifique la etiqueta del fabricante en la prenda que desea planchar e interprete los símbolos de la siguiente manera:
--

PLANCHADO AL VAPOR

Cuando use la plancha por primera vez, planche primero una tela lisa.

Para expeler vapor simplemente presione el botón para chorro de vapor momentáneo (2).

Esta plancha también puede emitir vapor en posición vertical y, por lo tanto, puede ser utilizada para refrescar tejidos fácilmente usando el chorro de vapor.

Si escucha un zumbido proveniente de la bomba de agua o el indicador de la caldera está parpadeando durante el planchado, significa que no hay agua en el depósito de la estación (14). Presione el interruptor de la caldera (6) para apagarla. Rellene el depósito de agua (14) y luego presione de nuevo el interruptor de la caldera (6) para continuar planchando.

¡PRECAUCIÓN! Nunca intente abrir la válvula de escape (10) mientras la caldera todavía tenga presión de vapor.

PLANCHADO EN SECO

Conecte la estación a la red eléctrica y presione solamente el interruptor principal de la estación (8), luego fije la temperatura deseada girando el selector de temperatura (3). Espere hasta que la luz del indicador de temperatura de la plancha (4) se apague, lo que indica que se ha alcanzado la temperatura deseada.

GUARDANDO LA PLANCHA

- Después del uso, siempre deje enfriar la plancha y la estación antes de guardarla.
- No es necesario drenar el agua de la caldera después del planchado.
- Acomode la manguera integrada flexible y el cable de alimentación en la ranura de recogida (10) situada en la base de la estación.
- Siempre mantenga la suela calefactora perfectamente limpia. Para eso, utilice un paño húmedo y páselo por la superficie estando fría. No usar desincrustantes.
- No planchar cremalleras, ganchos, anillos, etc.; Estos elementos pueden rayar la suela calefactora.
- Cuando termine de planchar, coloque la plancha correctamente en la estación. Asegúrese de que no haya rastros de agua en la suela calefactora, ya que pueden causar manchas.
- Guarde su plancha en la estación en un lugar seco.

Limpie el interior de la caldera regularmente

Libere el vapor residual en la caldera cuando termine el planchado. Primero desconecte la estación del tomacorriente y espere que se enfríe lo suficiente. Párese a un lado de la válvula de escape de la caldera (10), gire la válvula para abrirla (nunca recueste la estación cuando abra la válvula; esto hace que el agua se derrame). A continuación, eche agua limpia en la caldera, introduzca el hisopo de limpieza y cepille suavemente para limpiar el interior de la caldera, luego incline ligeramente la estación para verter el agua. Repita la limpieza 2-3 veces, vuelva a colocar la válvula y apriétela con fuerza.

Sugerencias

- Divida el planchado según la temperatura requerida para cada tipo de prenda. Comience por planchar aquellas prendas que requieren una temperatura más baja. Para obtener más detalles, consulte la tabla al final de este documento.
- Telas como terciopelo y lana, y accesorios como guantes, bolsos de mano, etc. recuperarán su aspecto y textura simplemente pasando la plancha cerca de la superficie de la tela y presionando el botón de vapor.
- Las marcas provocadas por los muebles en las alfombras se pueden eliminar aplicando vapor en las partes donde el tejido está triturado y cepillando ligeramente con la plancha.

Si la alfombra está confeccionada de material sintético, no use temperaturas altas.

Para obtener un planchado con acabado profesional

Una plancha normal genera solo una pequeña cantidad de vapor. En este caso, es necesario vaporizar los productos constantemente para eliminar el pliegue de la tela que se plancha.

Un sistema de planchado profesional funciona de manera diferente. La tela se humedece primero con el vapor y luego, en una segunda fase, se plancha en seco de la manera normal. Esto significa que cada pliegue (por muy pequeño que sea) se elimina, y sus prendas se planchan a la perfección.

En la primera fase (humedecer la tela con vapor), sostenga la plancha unos 20 cm por encima de la tela y presione el botón para chorro de vapor momentáneo (2). Pase la plancha sobre la prenda con un movimiento circular para que el poderoso chorro de vapor humedezca la tela. Las prendas ligeramente arrugadas requieren apenas un instante de vapor, mientras que las telas o prendas muy pesadas con arrugas particularmente difíciles se deben humedecer mucho más, por lo que se debe aplicar vapor durante unos segundos más.

Durante la segunda fase (planchado en seco), verifique que el selector de temperatura esté en la posición correcta según el tipo de tejido a planchar; libere el botón para chorro de vapor (2) y planche su prenda. La suela calefactora está especialmente diseñada para evitar que las telas queden brillantes. Con esta técnica de planchado y siguiendo las sugerencias en el cuadro a continuación, le resultará fácil planchar sus prendas con un acabado realmente profesional.

Guía para planchado perfecto

Tipo de tejido	Posición del selector de temperatura	Instrucciones de planchado
Acetato Acrílico Nylon	●	Planchado en seco. Siga las instrucciones en la etiqueta de la prenda. Estos tejidos generalmente requieren un planchado ligero.
Poliéster Seda artificial	●	Planchado en seco. Planche la prenda al revés. Para tejidos mixtos, use la temperatura más baja dentro de las recomendadas.
Seda	● ●	Planchado en seco. Planchar la prenda al revés.

Lana Algodón ligero Ropa liviana	● ●	Planchado al vapor. Planchar la prenda al revés. Coloque un paño fino sobre la prenda para evitar un acabado brillante.
Algodón Lino fino Telas almidonadas	● ● ●	Planchado al vapor. Humedezca la tela antes de planchar. Las telas más pesadas y claras se pueden planchar al derecho; los colores más oscuros y prendas bordadas se deben planchar al revés.
Lino	● ● ●	Planchado al vapor. Use suficiente vapor y planche las telas oscuras al revés para evitar un acabado brillante. Planche las solapas y mangas de camisa al derecho para conseguir un mejor acabado.

GARANTÍA

El periodo de garantía de nuestros productos es de 2 años, salvo que la ley estipule lo contrario, a partir de la fecha de la compra inicial o de la fecha de entrega.

Si tiene algún problema o pregunta, puede acceder fácilmente a nuestras páginas de ayuda, consejos para solucionar problemas, preguntas frecuentes y manuales de usuario en nuestro sitio de servicio: <https://sav.hkoenig.com>.

Al escribir el nombre de referencia de su dispositivo en la barra de búsqueda, puede acceder a toda la asistencia en línea disponible, diseñada para satisfacer mejor sus necesidades.

Si sigue sin encontrar una respuesta a su pregunta o problema, haga clic en "¿La respuesta ha resuelto su problema? Esto le llevará al formulario de solicitud de asistencia posventa, que puede rellenar para validar su solicitud y obtener ayuda.

CONDICIONES DE GARANTÍA

La garantía cubre todos los fallos que se produzcan en el contexto de un uso normal, de acuerdo con los usos y especificaciones del manual de usuario.

Esta garantía no se aplica a los problemas de embalaje o transporte durante el envío del producto por parte del propietario. Tampoco incluye el desgaste normal del producto, ni el mantenimiento o la sustitución de piezas consumibles.

EXCLUSIÓN DE GARANTÍA

- Accesorios y piezas de desgaste (*).
- Mantenimiento normal del aparato.
- Todas las averías derivadas de un uso incorrecto (golpes, incumplimiento de las recomendaciones de alimentación eléctrica, malas condiciones de uso, etc.), de un mantenimiento insuficiente o de un mal uso del aparato, así como del uso de accesorios inadecuados.
- Daños de origen externo: incendio, daños por agua, sobrecarga eléctrica, etc.
- Cualquier equipo que haya sido desmontado, incluso parcialmente, por personas que no estén autorizadas a hacerlo (en particular el usuario).

- Productos cuyo número de serie falte, esté dañado o sea ilegible, lo que no permitiría su identificación.
- Productos sujetos a alquiler, demostración o exposición.

(*) Algunas piezas de su aparato, conocidas como piezas de desgaste o consumibles, se deterioran con el tiempo y la frecuencia de uso de su aparato. Este desgaste es normal, pero puede acentuarse por las malas condiciones de uso o de mantenimiento de su aparato. Por lo tanto, estas piezas no están cubiertas por la garantía.

Los accesorios suministrados con el aparato también están excluidos de la garantía. No se pueden cambiar ni reembolsar. No obstante, algunos accesorios pueden adquirirse directamente en nuestro sitio web: <https://sav.hkoenig.com/>

MEDIO AMBIENTE

ATENCIÓN:

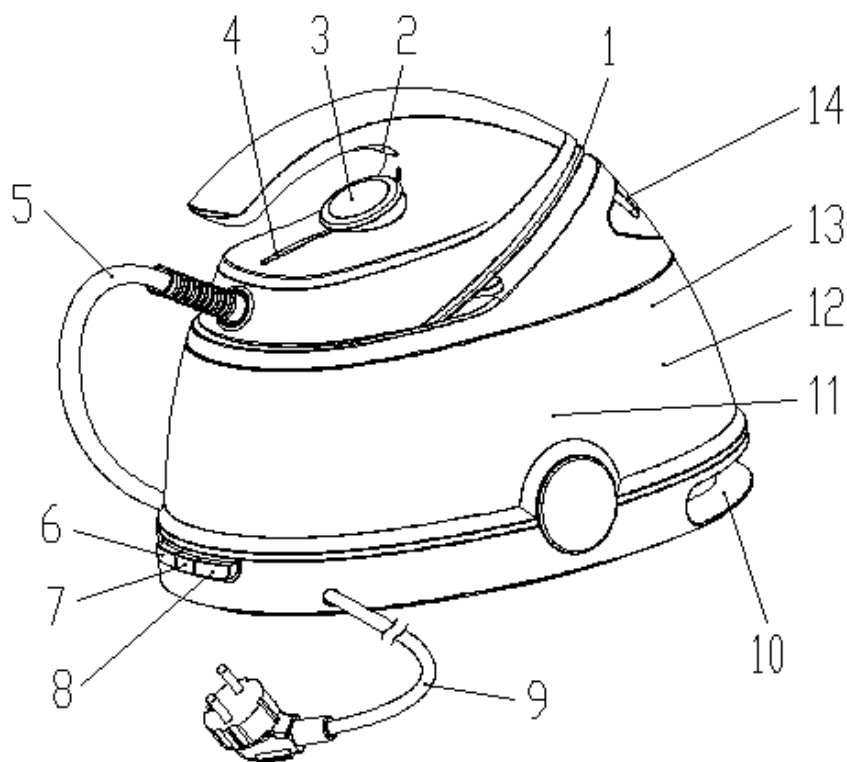


No se deshaga de este producto como lo hace con otros productos del hogar. Existe un sistema selectivo de colecta de este producto puesto en marcha por las comunidades, debe de informarse en su ayuntamiento acerca de los lugares en los que puede depositar este producto. De hecho, los productos eléctricos y electrónicos pueden contener sustancias peligrosas que tienen efectos nefastos para el medio ambiente o para la salud humana y deben ser reciclados. El símbolo aquí presente indica que los equipos eléctricos o electrónicos deben de ser cuidadosamente seleccionados, representa un recipiente de basura con ruedas marcado con una X.

Adeva SAS / H.Koenig Europe - 8 rue Marc Seguin, 77290 Mitry-Mory, France
www.hkoenig.com - sav@hkoenig.com - contact@hkoenig.com - Tél: +33 1 64 67 00 05

ITALIANO

ISTRUZIONI FERRO DA STIRO A VAPORE CON CALDAIA



DESCRIZIONE

- 1) Piastra riscaldante
- 2) Pulsante getto di vapore
- 3) Manopola termostato
- 4) Spia "riscaldamento ferro"
- 5) Tubo singolo (cavo di alimentazione + tubo vapore)
- 6) On/off Caldaia
- 7) Spia livello vapore
- 8) Interruttore principale on/off
- 9) Cavo di alimentazione con spina
- 10) Valvola di pulizia caldaia
- 11) Scanalatura di tenuta
- 12) Caldaia
- 13) Copertura in resina
- 14) Serbatoio acqua
- 15) Bocchetta aggiunta acqua

Leggere questo libretto d'istruzioni prima di installare ed utilizzare la macchina. In questo modo si otterranno i migliori risultati possibili e la massima sicurezza operativa.

AVVERTENZE DI SICUREZZA

Leggere attentamente le seguenti istruzioni:

- Prima dell'uso, verificare che l'alimentazione corrisponda alla tensione indicata sulla targhetta di immatricolazione. Collegare l'apparecchio solo a una presa di alimentazione con messa a terra (minimo 10A).
- In caso di incompatibilità tra la presa e la spina, far sostituire la spina da un tecnico qualificato.
- La sicurezza elettrica di questo apparecchio è garantita solo quando è conforme alle vigenti norme di sicurezza elettrica. Il costruttore declina ogni responsabilità per eventuali danni derivanti da una inadeguata messa a terra dell'apparecchio. In caso di dubbi, consultare un elettricista qualificato.
- Non lasciare l'acqua nella macchina quando la temperatura ambiente è pari a 0° C o inferiore.
- Dopo averlo disimballato, controllare l'apparecchio per eventuali danni, in caso di dubbio, non utilizzare l'apparecchio; contattare un tecnico qualificato.
- I materiali di imballaggio (sacchetti di plastica, schiuma di polistirene, ecc.) sono potenzialmente pericolosi e devono essere tenuti fuori dalla portata dei bambini.
Non è opportuno utilizzare adattatori, più prese e/o prolunghe. Nei casi in cui ciò sia inevitabile, utilizzare sempre adattatori, prese multiple e prolunghe conformi alle vigenti normative di sicurezza. Non superare la potenza massima indicata sull'adattatore.
- Questo apparecchio è progettato solo per uso domestico. Qualsiasi altro uso dell'apparecchio è considerato improprio e quindi pericoloso.
- Il produttore declina ogni responsabilità per eventuali danni derivanti da uso improprio, errato o negligente dell'apparecchio.
- Questo apparecchio può essere utilizzato da persone con

ridotte capacità fisiche, sensoriali o mentali o con scarsa esperienza e conoscenza, a condizione che abbiano ricevuto supervisione o istruzioni per l'uso sicuro dell'apparecchio e che abbiano compreso i rischi connessi. I bambini non devono giocare con l'apparecchio.

- L'apparecchio non è destinato ad essere azionato tramite un timer esterno o un sistema di controllo a distanza separato.

- Quando si utilizza un apparecchio elettrico, è necessario rispettare alcune regole di base:

- Se il cavo di alimentazione è danneggiato, deve essere sostituito dal produttore o dal suo agente di assistenza o da personale analogo a tale scopo per evitare rischi.

- Non lasciare i bambini stiano davanti al ferro quando premete il pulsante "Jet", la sua gittata è ampia.

- Conservare l'apparecchio e il cavo di alimentazione fuori dalla portata di bambini di età inferiore a 8 anni.

– Quando si utilizzano apparecchiature elettriche, è necessario adottare sempre misure di sicurezza per prevenire il rischio di incendi, scosse elettriche e/o lesioni in caso di uso improprio.

– Si prega di tenere questo documento a portata di mano e di consegnarlo al futuro proprietario in caso di trasferimento del dispositivo.

– Il dispositivo non deve essere utilizzato se è stato lasciato cadere, sono visibili evidenti segni di danneggiamento o se presenta perdite.

In particolare:

- Non toccare l'apparecchio con mani o piedi bagnati o umidi.
- Non utilizzare l'apparecchio nei bagni.
- Non tirare il cavo di alimentazione o l'apparecchio per rimuovere la spina dalla presa.
- Non lasciare l'apparecchio esposto ad agenti atmosferici (pioggia, sole, gelo, ecc.).
- Non lasciare che l'apparecchio venga utilizzato da bambini o da persone limitate capacità, a meno che non siano sotto controllo.
- Non immergere l'apparecchio in acqua.
- Non lasciare incustodito il ferro da stiro quando è acceso, poiché potrebbe essere una fonte di pericolo.
- Prima di eseguire operazioni di pulizia o di manutenzione, scollegare sempre l'apparecchio dalla rete elettrica rimuovendo la spina.
- In caso di guasto o malfunzionamento, spegnere l'apparecchio e non tentare di eseguire riparazioni. Contattare un centro di assistenza autorizzato e insistere nel far montare pezzi di ricambio originali. La mancata osservanza di quanto sopra può influire sulla sicurezza dell'apparecchio.
- Se si decide di non utilizzare nuovamente l'apparecchio, rimuovere la spina dalla presa e tagliare il cavo di alimentazione per rendere l'apparecchio completamente inutilizzabile.
- L'installazione deve essere eseguita secondo le istruzioni di fabbricazione.
- Il cavo di alimentazione non deve essere sostituito dall'utente, in quanto ciò richiede l'uso di utensili particolari, se il cavo di alimentazione è danneggiato, contattare un centro di assistenza autorizzato.
- Non lasciare il cavo di alimentazione a contatto con la piastra di stiratura.
- Se avviene il blocco di sicurezza, il ferro non funzionerà

più. Per ripristinare il funzionamento normale contattare un elettricista qualificato.

- Non orientare mai il getto di vapore in direzione delle persone, poiché questo può essere estremamente pericoloso.

- Non utilizzare il ferro su tessuti molto bagnati.

- Non mettere il ferro sul manichino quando la piastra è calda.

- Non sovraccaricare il serbatoio dell'acqua e non aggiungere distillatori o prodotti simili all'acqua o nella caldaia.

- Togliere la spina dalla presa di corrente quando l'apparecchio non è in uso. Non lasciare l'apparecchio acceso inutilmente.

- Non svitare la valvola di pulizia quando l'apparecchio è collegato alla rete di alimentazione.

- L'apparecchio deve essere posizionato su una superficie piana particolarmente resistente alle alte temperature.

- Direttiva CEE 87/308 (D.M. 13/04/89). Conservare questo libretto in luogo sicuro per un futuro riferimento. Questo apparecchio è conforme alla Direttiva CEE 87/308 (D.M. 13/04/89) in materia di soppressione di disturbi radio.

- Questo apparecchio può essere utilizzato da bambini a partire da 8 anni, purché sorvegliati e istruiti all'uso sicuro dell'apparecchio e pienamente a conoscenza dei pericoli che comporta.

- La pulizia e la manutenzione non devono essere eseguite da bambini a meno che abbiano più di 8 anni e siano sorvegliati da un adulto.

Preparazione all'uso

L'apparecchio utilizza la normale acqua di rubinetto.

Se l'acqua è molto dura (durezza superiore a 27 gradi francesi), suggeriamo l'utilizzo di acqua distillata o de-mineralizzata.

Prima di utilizzare l'apparecchiatura, aprire il tappo dell'acqua (14), aggiungere la giusta quantità di acqua nel serbatoio (13), appena prima del livello dell'acqua MAX.

Collegare l'apparecchio all'alimentazione.

Premere l'interruttore principale (8), l'indicatore di accensione (8) si accende, significa che l'avviamento funziona. In questa condizione dell'apparecchiatura c'è solo funzione a secco.

Allo stesso tempo, premere l'interruttore caldaia (6), la spia di alimentazione caldaia (6) e la spia indicatore di vapore disponibile (7) si accendono, significa che la caldaia (12) inizia a funzionare. L'apparecchio è in modalità vapore.

La pompa elettromagnetica di alimentazione dell'acqua fa sì che l'acqua scenda nella caldaia quando la caldaia (12) si riscalda abbastanza.

Selezionando la temperatura tramite la manopola di temperatura (3), la parte colorata indica l'area di stiratura che può essere scelta.

Circa 90 secondi. L'indicatore di riscaldamento (4) si spegnerà, significa che l'apparecchio può utilizzare il vapore.

Circa 3 minuti. La luce vapore (7) si spegnerà, significa che l'apparecchio può utilizzare il vapore.

Se si esce dalla modalità vapore, è sufficiente premere nuovamente il pulsante di commutazione della caldaia (6), l'indicatore di alimentazione della caldaia (6) si spegne, significa che l'apparecchio esce dalla modalità vapore.

ISTRUZIONI PER L'USO

Controllare l'etichetta del produttore sul capo, e interpretare il simbolo sull'etichetta come segue

STIRATURA A VAPORE

Quando si utilizza il ferro per la prima volta, stirare un panno piano.

Questo apparecchio è in grado di generare vapore in posizione verticale e può quindi essere utilizzato per rinfrescare facilmente i tessuti con un getto di vapore.

Se si sente il rumore dell'acqua di alimentazione quando si stira, significa che non c'è acqua nel serbatoio dell'acqua (14). Premere il pulsante caldaia (6) e staccare la corrente caldaia.

Dopo aver riempito il serbatoio dell'acqua (14), premere di nuovo il pulsante caldaia (6), per continuare a stirare.

ATTENZIONE! Non tentare mai di aprire la valvola di pulizia (10) mentre la caldaia è sotto pressione.

STIRATURA A SECCO

Collegare l'apparecchio alla rete elettrica, premere l'interruttore principale (8), la spia principale (8) si accende, quindi selezionare la temperatura desiderata ruotando la manopola del termostato (3). Attendere finché la spia di riscaldamento ferro (4) si spegne, indicando che la temperatura desiderata è stata raggiunta.

RIPORRE L' APPARECCHIO

Dopo l'uso, lasciare sempre che il ferro si raffreddi prima di riporlo.

- Non è necessario svuotare la caldaia dopo aver stirato.
- Posizionare il cavo di alimentazione flessibile nella base dell'apparecchio (10).
- Tenere sempre la superficie della piastra di stiratura perfettamente a pulita. Per pulirla, basta pulire la superficie fredda con un panno umido. L'apparecchio non deve essere pulito con prodotti anticalcare.
- Non passare il ferro su cerniere, ganci, anelli, ecc; che potrebbero graffiare la piastra.
- Una volta finito di stirare, inserire correttamente il ferro sul relativo supporto. Assicurarsi che non ci siano tracce di acqua sotto la piastra, poiché queste possono causare macchie.
- Conservare l'apparecchio in un luogo asciutto.

PULIRE LA CALDAIA A INTERVALLI REGOLARI

Rilasciare il vapore residuo nella caldaia quando la si utilizza. Riducete la potenza, quando l'apparecchio si è raffreddato sufficientemente, sollevare un lato della valvola di pulizia (10), ruotare la valvola di pulizia (10) (non tenere dritto l'apparecchio quando si apre la valvola di pulizia, altrimenti l'acqua fuoriuscirebbe). Quindi riempire d'acqua la caldaia, inserire la spazzola per la pulizia della caldaia e ruotare la spazzola per la pulizia della caldaia, quindi scuotere l'apparecchio dolcemente e svuotare l'acqua. Ripetere la pulizia 2-3 volte, quindi montare la valvola di pulizia e avvitarla strettamente.

SUGGERIMENTI

- Dividere la stiratura secondo le temperature di stiratura. Iniziare la stiratura di quegli indumenti che richiedono una temperatura inferiore. Per ulteriori dettagli, fare riferimento al grafico alla fine di questo libretto.
- Tessuti come il velluto e la lana e gli accessori come guanti, borse, ecc. sembreranno nuovi semplicemente passando il ferro vicino alla superficie del tessuto e premendo il pulsante del vapore.
- Le impronte lasciate sulla moquette dai mobili possono essere rimosse erogando vapore sulle parti in cui il tessuto è schiacciato e spazzolando leggermente.

Se il tappeto è in materiale sintetico, non selezionare una temperatura elevata.
--

Come ottenere una stiratura professionale

Un ferro normale genera solo una piccola quantità di vapore. In questo caso è necessario che il prodotto eroghi vapore costantemente al fine di eliminare le pieghe nei tessuti.

Un sistema di stiratura professionale funziona in modo diverso. Il tessuto viene prima reso umido dal vapore e poi, in una seconda fase, stirato a secco nel modo normale. Ciò significa che ogni più piccola piega viene rimossa e gli indumenti vengono stirati alla perfezione.

Nella prima fase (erogazione del vapore sul tessuto), tenere il ferro a circa 20 cm sopra il tessuto e premere il tasto vapore (2). Passare il ferro sopra l'indumento con un movimento circolare in modo che il potente getto di vapore inumidisca il tessuto. Gli indumenti leggermente spiegazzati richiedono solo pochi istanti di vapore. Mentre i tessuti molto pesanti o gli indumenti con pieghe particolarmente difficili devono essere inumiditi, quindi il vapore deve essere erogato per qualche secondo in più. Durante la seconda fase (stiratura a secco), controllare che la manopola del termostato sia nella posizione corretta per il tipo di tessuto; asciugare l'indumento. La piastra di stiratura speciale evita che i tessuti diventino lucidi. Utilizzando questa tecnica di stiratura e seguendo i suggerimenti riportati nella tabella sottostante, troverete davvero semplice dare ai vostri capi una stiratura davvero professionale.

Guida alla stiratura perfetta

Tipo di tessuto	Posizione Pomello termostato	Istruzioni
Acetato Acrilico Nylon	●	Stiratura a secco Seguire le istruzioni riportate sull'etichetta del capo. Questo tipo di tessuto generalmente richiede una stiratura molto leggera.
Poliestere Raion	●	Stiratura a secco Stirare a rovescio. Per i tessuti misti, selezionare la temperatura più bassa raccomandata.
Seta	● ●	Stiratura a secco Stirare a rovescio.
Lana Cotone leggero Lino leggero	● ●	Stiratura a vapore Stirare a rovescio. Collocare un panno sottile sopra il tessuto al fine di evitare una finitura lucida
Cotone Lino Tessuti Inamidati	● ● ●	Stiratura a vapore Inumidire il tessuto prima di stirare. I tessuti più pesanti possono essere stirati sul frontale; i colori più scuri e i vestiti ricamati devono essere stirati al rovescio.
Biancheria	● ● ●	Stiratura a vapore Utilizzare molto vapore e stirare i tessuti scuri a rovescio al fine di evitare una finitura lucida, stirare risvolti e polsini dal lato giusto per una migliore finitura.

GARANZIA

Il periodo di garanzia per i nostri prodotti è di 2 anni, se non diversamente stabilito dalla legge, a

partire dalla data di acquisto iniziale o di consegna.

Se avete problemi o domande, potete facilmente accedere alle nostre pagine di aiuto, consigli per la risoluzione dei problemi, FAQ e manuali d'uso sul nostro sito post-vendita: <https://sav.hkoenig.com>.

Digitando il nome di riferimento del tuo dispositivo nella barra di ricerca, puoi accedere a tutto il supporto online disponibile, progettato per soddisfare al meglio le tue esigenze.

Se ancora non riesci a trovare una risposta alla tua domanda o al tuo problema, allora clicca su "La risposta ha risolto il tuo problema? Questo vi porterà al modulo di richiesta di supporto post-vendita, che potete completare per convalidare la vostra richiesta e ottenere aiuto.

CONDIZIONI DI GARANZIA

La garanzia copre tutti i guasti derivanti da un uso normale, in conformità con gli usi e le specifiche del manuale utente.

Questa garanzia non si applica a problemi di imballaggio o di trasporto durante la spedizione del prodotto da parte del proprietario. Non include inoltre la normale usura del prodotto, né la manutenzione o la sostituzione delle parti di consumo.

ESCLUSIONE DELLA GARANZIA

- Accessori e parti soggette a usura (*).
- Normale manutenzione dell'apparecchio.
- Tutti i guasti derivanti da un uso improprio (urti, mancato rispetto delle raccomandazioni sull'alimentazione, cattive condizioni d'uso, ecc.), da una manutenzione inadeguata o da un uso improprio dell'apparecchio, nonché dall'uso di accessori inadeguati.
- Danni di origine esterna: incendio, danni d'acqua, sovratensione elettrica, ecc.
- Qualsiasi attrezzatura che sia stata smontata, anche parzialmente, da persone diverse da quelle autorizzate a farlo (in particolare l'utente).
- Prodotti per i quali il numero di serie è mancante, danneggiato o illeggibile, il che non permetterebbe la sua identificazione.
- Prodotti soggetti a noleggio, dimostrazione o esposizione.

(*) Alcune parti del suo apparecchio, note come parti soggette a usura o materiali di consumo, si deteriorano con il tempo e la frequenza d'uso del suo apparecchio. Questa usura è normale, ma può essere accentuata da cattive condizioni d'uso o di manutenzione del vostro apparecchio. Queste parti non sono quindi coperte dalla garanzia.

Anche gli accessori forniti con l'apparecchio sono esclusi dalla garanzia. Non possono essere scambiati o rimborsati. Tuttavia, alcuni accessori possono essere acquistati direttamente dal nostro sito web: <https://sav.hkoenig.com/>.

AMBIENTE

ATTENZIONE:



Non gettare quest' apparecchio tra i rifiuti domestici. Per questo tipo di prodotti è fornito dai comuni un sistema di raccolta e ritiro in zona ed è quindi un dovere informarsi per conoscere il giusto smistamento del rifiuto. Infatti, i prodotti elettrici ed elettronici possono contenere sostanze pericolose che hanno effetti dannosi sull'ambiente o sulla nostra salute e quindi devono essere riciclati. Il simbolo al lato indica che le

apparecchiature elettriche ed elettroniche fanno parte di una raccolta selettiva e differenziata (rappresentata da un bidone su due ruote sbarrato da una croce.

Adeva SAS / H.Koenig Europe - 8 rue Marc Seguin - 77290 Mitry Mory - France
www.hkoenig.com - sav@hkoenig.com - contact@hkoenig.com - Tél: +33 1 64 67 00 05

v3



FR
Cet appareil se recycle

À DÉPOSER EN MAGASIN

À DÉPOSER EN DÉCHÈTERIE

OU

Points de collecte sur www.quefairedemesdechets.fr
Privilégiez la réparation ou le don de votre appareil !