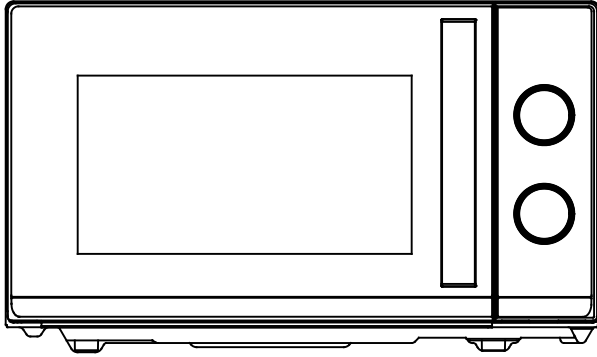


Microwave Oven Instructions



Model: CMG20TNMB

Please read these instructions carefully before installing and operating the oven.

CONTENT

| | |
|---|-----------|
| CONTENT | 1 |
| PRECAUTIONS TO AVOID POSSIBLE EXPOSURE TO EXCESSIVE MICROWAVE ENERGY | 2 |
| IMPORTANT SAFETY INSTRUCTIONS | 2 |
| INSTALLATION GUIDE | 5 |
| GROUNDING INSTRUCTIONS | 5 |
| RADIO INTERFERENCE | 6 |
| BEFORE CALLING FOR SERVICE | 6 |
| COOKING TECHNIQUES | 7 |
| COOKING UTENSILS GUIDE | 7 |
| SPECIFICATIONS | 8 |
| PRODUCT DIAGRAM | 8 |
| CONTROL PANEL | 9 |
| POWER/ACTION SELECTOR | 9 |
| TIMER KNOB | 9 |
| MICROWAVE COOKING | 9 |
| GRILL COOKING | 10 |
| COMBINATION COOKING | 10 |
| OPERATION INSTRUCTIONS | 10 |
| CLEANING AND CARE | 11 |

PRECAUTIONS TO AVOID POSSIBLE EXPOSURE TO EXCESSIVE MICROWAVE ENERGY

1. Do not attempt to operate this oven with the door open since open-door operation can result in harmful exposure to microwave energy. It is important not to defeat or tamper with the safety interlocks.
2. Do not place any object between the oven front face and the door or allow soil or cleaner residue to accumulate on sealing surfaces.
3. Do not operate the oven if it is damaged. It is very important that the oven door close properly and that there is no damage to the
 - a) Door (including any bent),
 - b) Hinges and latches (broken or loosened),
 - c) Door seals and sealing surfaces.
4. The oven should not be adjusted or repaired by anyone except qualified service personnel.

IMPORTANT SAFETY INSTRUCTIONS

When using electrical appliance basic safety precautions should be followed, including the following:

WARNING: To reduce the risk of burns, electric shock, fire, injury to persons or exposure to excessive microwave energy:

1. Read all instructions before using the appliance and keep for future reference.
2. Use this appliance only for its intended use as described in this manual. Do not use corrosive chemicals or vapors in this appliance. This type of oven is specifically designed to heat, cook or dry food. It is not designed for industrial or laboratory use.
3. Do not operate the oven when empty.
4. Do not operate this appliance if it has a damaged cord or plug, if it is not working properly or if it has been damaged or dropped. If the supply cord is damaged, it must be replaced by the manufacturer or its service agent or a similarly qualified person in order to avoid a hazard
5. **WARNING:** Only allow children to use the oven without supervision when adequate instructions have been given so that the child is able to use the oven in a safe way and understands the hazards of improper use.

6. Warning: When the appliance is operated in the combination mode, children should only use the oven under adult supervision due to the temperatures generated.
7. To reduce the risk of fire in the oven cavity:
 - a)When heating food in plastic or paper container, keep an eye on the oven due to the possibility of ignition;
 - b)Remove wire twist-ties from paper or plastic bags before placing bag in oven.
 - c)If smoke is observed, switch off or unplug the appliance and keep the door closed in order to stifle any flames.
 - d)Do not use the cavity for storage purposes. Do not leave paper products, cooking utensils or food in the cavity when not in use.
 - e)The microwave oven is intended for heating food and beverages. Drying of clothing and heating of warming pads, slippers, sponges, damp cloth and similar may lead to risk of injury, ignition or fire.
8. WARNING: Liquid or other food must not be heated in sealed containers since they are liable to explode.
9. Microwave heating of beverage can result in delayed eruptive boiling, therefore care has to be taken when handling the container.
10. Do not fry food in the oven. Hot oil can damage oven parts and utensils and even result in skin burns.
11. Eggs in their shell and whole hard-boiled eggs should not be heated in microwave ovens since they may explode even after microwave heating has ended.
12. Pierce foods with heavy skins such as potatoes, whole squashes, apples and chestnuts before cooking.
13. The contents of feeding bottles and baby jars should be stirred or shaken and the temperature should be checked before serving in order to avoid burns.
14. Cooking utensils may become hot because of heat transferred from the heated food. Potholders may be needed to handle the utensil.
15. Utensils should be checked to ensure that they are suitable for use in microwave oven.
16. WARNING: It is hazardous for anyone other than a trained person to carry out any service or repair operation which involves the removal of any cover which gives protection against exposure to microwave energy.
17. This Microwave complies with EN 55011/CISPR 11, in this standard it belong to Class B Group 2 classification. Group 2 equipment: group 2 contains all ISM RF equipment in which radio-frequency energy in the frequency range 9 kHz to 400 GHz is intentionally generated and used or only used locally, in the form of electromagnetic radiation, inductive and/or capacitive coupling, for the treatment of material, for inspection/analysis purposes, or for transfer of electromagnetic energy.

- Class B equipment is equipment suitable for use in locations in residential environments and in establishments directly connected to a low voltage power supply network which supplies buildings used for domestic purposes.
18. This appliance is not intended for use by persons (including children) with reduced physical, sensory or mental capabilities, or lack of experience and knowledge, unless they have been given supervision or instruction concerning use of the appliance by a person responsible for their safety.
 19. Children should be supervised to ensure that they do not play with the appliance.
 20. The microwave oven is only used in freestanding.
 21. WARNING: Do not install oven over a range cooktop or other heat-producing appliance. If installed could be damaged and the warranty would be avoid.
 22. The microwave oven shall not be placed in a cabinet.
 23. The door or the outer surface may get hot when the appliance is operating.
 24. Warning: Accessible parts may become hot during use. Young children should be kept away.
 25. During use the appliances becomes hot. Care should be taken to avoid touching heating elements inside the oven, for cooking ranged and ovens.
 26. The temperature of accessible surfaces may be high when the appliance is operating.
 27. Appliance is not to be used by children or persons with reduced physical, sensory or mental capabilities, or lack of experience and knowledge, unless they have been given supervision or instruction.
 28. WARNING: If the door or door seals are damaged, the oven must not be operated until it has been repaired by a competent person.
 29. The instructions shall state that appliances are not intended to be operated by means of an external timer or separate remote-control system.
 30. The microwave oven is for household use only and not for commercial use.
 31. Never remove the distance holder in the back or on the sides, as it ensures a minimum distance from the wall for air circulation.
 32. Please secure the turntable before you move the appliance to avoid damages.
 33. Caution: It is dangerous to repair or maintain the appliance by no other than a specialist because under these circumstances the cover have to be removed which assures protection against microwave radiation. This applies to changing the power cord or the lighting as well. Send the appliance in these cases to our service centre.
 34. The microwave oven is intended for defrosting, cooking and steaming of food only.
 35. Use gloves if you remove any heated food.
 36. Caution! Steam will escape, when opening lids or wrapping foil.
 37. This appliance can be used by children aged from 8 years and above and persons

with reduced physical, sensory or mental capabilities or lack of experience and knowledge if they have been given supervision or instruction concerning use of the appliance in a safe way and understand the hazards involved. Children shall not play with the appliance. Cleaning and user maintenance shall not be made by children unless they are aged from 8 years and above and supervised.

38. If smoke is emitted, switch off or unplug the appliance and keep the door closed in order to stifle any flames.

INSTALLATION GUIDE

1. Make sure that all the packing materials are removed from the inside of the door.
2. **WARNING:** Check the oven for any damage, such as misaligned or bent door, damaged door seals and sealing surface, broken or loose door hinges and latches and dents inside the cavity or on the door. If there is any damage, do not operate the oven and contact qualified service personnel.
3. This microwave oven must be placed on a flat, stable surface to hold its weight and the heaviest food likely to be cooked in the oven.
4. Do not place the oven where heat, moisture or high humidity are generated, or near combustible materials.
5. For correct operation, the oven must have sufficient airflow. Allow minimum 20cm of free space necessary above the top surface of the oven and 5cm at both sides. The microwave oven rear plate must be placed close to the wall. Do not cover or block any openings on the appliance. Do not remove feet.
6. Do not operate the oven without glass tray, roller support, and shaft in their proper positions.
7. Make sure that the power supply cord is undamaged and does not run under the oven or over any hot or sharp surface.
8. The socket must be readily accessible so that it can be easily unplugged in an emergency.
9. Do not use the oven outdoors.

GROUNDING INSTRUCTIONS

This appliance must be grounded. This oven is equipped with a cord having a grounding wire with a grounding plug. It must be plugged into a wall receptacle that is properly installed and grounded. In the event of an electrical short circuit, grounding reduces risk of electric shock by providing an escape wire for the electric current. It is recommended that a separate circuit serving only the oven be provided. Using a high

voltage is dangerous and may result in a fire or other accident causing oven damage.

WARNING--- Improper use of the grounding plug can result in a risk of electric shock.

Note:

1. If you have any questions about the grounding or electrical instructions, consult a qualified electrician or service person.
2. Neither the manufacturer nor the dealer can accept any liability for damage to the oven or personal injury resulting from failure to observe the electrical connection procedures.

The wires in this cable main are colored in accordance with the following code:

Green and Yellow = EARTH

Blue = NEUTRAL

Brown = LIVE

RADIO INTERFERENCE

Operation of the microwave oven can cause interference to your radio, TV, or similar equipment. When there is interference, it may be reduced or eliminated by taking the following measures:

1. Clean door and sealing surface of the oven.
2. Reorient the receiving antenna of radio or television.
3. Relocate the microwave oven with respect to the receiver.
4. Move the microwave oven away from the receiver.
5. Plug the microwave oven into a different outlet so that microwave oven and receiver are on different branch circuits.

BEFORE CALLING FOR SERVICE

Before asking for service, please check each item below:

- Check to ensure the oven is plugged in securely. If not, remove the plug from the outlet, wait 10 seconds, and plug it in again securely.
- Check for a blown circuit fuse or a tripped main circuit breaker. If these seem to be operating properly, test the outlet with another appliance.
- Check to ensure the control panel is programmed correctly and the timer is set.
- Check to ensure the door is securely closed, engaging the door lock system. If the door is not properly closed, the microwave energy will not flow inside.

IF NONE OF THE ABOVE RECTIFIES THE SITUATION, THEN CONTACT A QUALIFIED TECHNICIAN. DO NOT TRY TO ADJUST OR REPAIR THE OVEN YOURSELF.

COOKING TECHNIQUES

1. Arrange food carefully. Place thickest areas towards outside of dish.
2. Watch cooking time. Cook for the shortest amount of time indicated and add more as needed. Food severely overcooked can smoke or ignite.
3. Cover foods while cooking. Covers prevent splattering and help foods to cook evenly.
4. Turn foods over once during microwave cooking to speed cooking of such foods as chicken and hamburgers. Large items like roasts must be turned over at least once.
5. Rearrange foods such as meatballs halfway through cooking both from top to bottom and from the center of the dish to the outside.

COOKING UTENSILS GUIDE

1. Microwave cannot penetrate metal. Only use utensils that are suitable for use in microwave ovens. Metallic containers for food and beverages are not allowed during microwave cooking. This requirement is not applicable if the manufacturer specifies size and shape of metallic containers suitable for microwave cooking.
2. Microwave cannot penetrate metal, so metal utensils or dishes with metallic trim should not be used.
3. Do not use recycled paper products when microwave cooking, as they may contain small metal fragments which may cause sparks and/or fires.
4. Round /oval dishes rather than square/oblong ones are recommend, as food in corners tends to overcook.
5. Narrow strips of aluminum foil may be used to prevent overcooking of exposed areas. But be careful don't use too much and keep a distance of 1 inch (2.54cm) between foil and cavity.

The list below is a general guide to help you select the correct utensils.

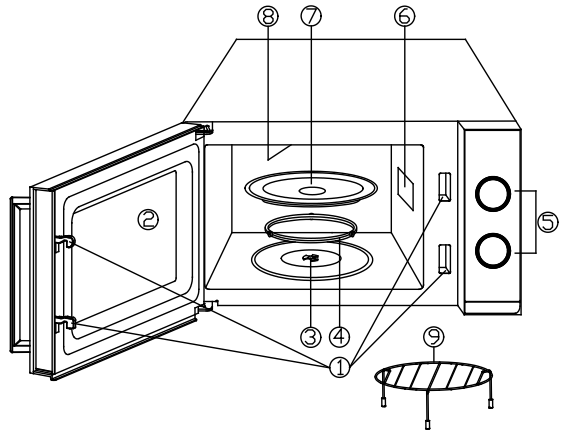
| Cookware | Microwave | Grill | Combination |
|---------------------------------|-----------|-------|-------------|
| Heat-Resistant Glass | Yes | Yes | Yes |
| Non Heat-Resistant Glass | No | No | No |
| Heat-Resistant Ceramics | Yes | Yes | Yes |
| Microwave-Safe Plastic Dish | Yes | No | No |
| Kitchen Paper | Yes | No | No |
| Metal Tray | No | Yes | No |
| Metal Rack | No | Yes | No |
| Aluminum Foil & Foil Containers | No | Yes | No |

SPECIFICATIONS

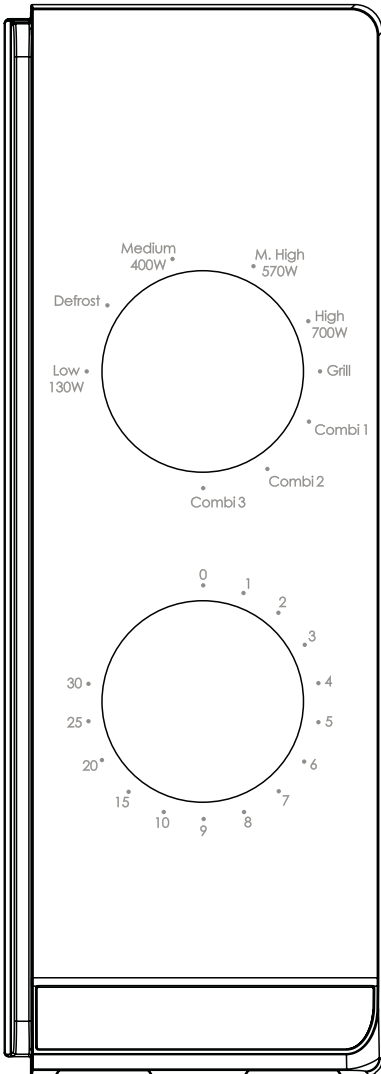
| | |
|------------------------|---|
| Power Consumption | 230-240V/50Hz, 1200W(Microwave); 900W(Grill) |
| Output | 700W |
| Operation Frequency | 2450MHz |
| Outside Dimensions | 262mm(H)×452mm(W)×357mm(D) |
| Oven Cavity Dimensions | 198mm(H)×315mm(W)×297mm(D) |
| Oven Capacity | Compact 20Litres |
| Net Weight | Approx.11kg |

PRODUCT DIAGRAM

1. Door Safety Lock System
 2. Oven Window
 3. Shaft
 4. Roller Ring
 5. Control Panel
 6. Wave Guide
 7. Glass Tray
 8. Grill Heater
 9. Metal Rack
- (Please do not remove the mica plate covering the wave guide)



CONTROL PANEL



The control panel consists of two function operators. One is a time knob, and the other a power knob.

Power/Action Selector

You use this operator knob to choose a cooking power level. It is the first step to start a cooking session.

Timer Knob

Offer visual timing settings at easy turn of your thumb to select a desired cooking time up to 30 minutes per cooking session.

Microwave Cooking

For pure microwave cooking, there are five power levels from which to choose one as best fit to do the job at hand.

Power level increases with the knob turning clockwise. The power levels can be classified as the following:

| Power Output | Description |
|--------------|-------------|
| 700W | HIGH |
| 570W | M.HIGH |
| 400W | MED |
| | DEFROST |
| 130W | LOW |

Grill Cooking

With the knob turning clockwise passing the highest microwave power level, the oven come to the grill cooking function which is particularly useful for thin slices of meat, steaks, chops, kebabs, sausages or pieces of chicken. It is also suitable for cooking hot sandwiches and au gratin dishes.

Combination Cooking

By its name, this cooking operation combines microwave power with that of grill cooking. The operation is categorized into three levels with different combination power settings as you can see from the following table. These are particularly suitable for certain foods and culinary operations. As well as for keeping the much desired crispness of certain foods.

The following table shows 3 different power settings for combination programs.

| Program | Microwave cooking time | Grill cooking time | Suitable for |
|---------|------------------------|--------------------|----------------------------------|
| Comb1 | 30% | 70% | Fish, potatoes, au grain |
| Comb2 | 49% | 51% | Pudding, omelets, baked potatoes |
| Comb3 | 67% | 33% | Poultry |

OPERATION INSTRUCTIONS

To start a cooking session,

1. Place food into oven and close the door.
2. Turn Power Selector to select a power level.
3. Turn Timer knob to set a cooking time.

NOTE: As soon as the timer is turned, oven starts cooking. When selecting time for less than 2 minutes, turn timer past 2 minutes and then return to the correct time.

CAUTION: ALWAYS RETURN TIMER BACK TO ZERO POSITION if food is removed from oven before the set cooking time is complete or when oven is not in use. To stop oven during cooking process, push the door release button or open the door by the handle.

CLEANING AND CARE

1. Turn off the oven and remove the power plug from the wall socket before cleaning.
2. Keep the inside of the oven clean. When food splatters or spilled liquids adhere to oven walls, wipe with a damp cloth. Mild detergent may be used if the oven gets very dirty. Avoid the use of spray and other harsh cleaners as they may stain, streak or dull the door surface.
3. The outside surfaces should be cleaned with a damp cloth. To prevent damage to the operating parts inside the oven, water should not be allowed to seep into the ventilation openings.
4. Wipe the door and window on both sides, the door seals and adjacent parts frequently with a damp cloth to remove any spills or splatters. Do not use abrasive cleaner.
5. A steam cleaner is not be used.
6. Do not allow the control panel to become wet. Clean with a soft, damp cloth. When cleaning the control panel, leave oven door open to prevent oven from accidentally turning on.
7. If steam accumulates inside or around the outside of the oven door, wipe with a soft cloth. This may occur when the microwave oven is operated under high humidity condition. And it is normal.
8. It is occasionally necessary to remove the glass tray for cleaning. Wash the tray in warm sudsy water or in a dishwasher.
9. The roller ring and oven floor should be cleaned regularly to avoid excessive noise. Simply wipe the bottom surface of the oven with mild detergent. The roller ring may be washed in mild sudsy water or dishwasher. When removing the roller ring from cavity floor for cleaning, be sure to replace in the proper position.
10. Remove odors from your oven by combining a cup of water with the juice and skin of one lemon in a deep microwavable bowl, microwave for 5 minutes. Wipe thoroughly and dry with a soft cloth.
11. When it becomes necessary to replace the oven light, please consult a dealer to have it replaced.
12. The oven should be cleaned regularly and any food deposits removed. Failure to maintain the oven in a clean condition could lead to deterioration of the surface that could adversely affect the life of the appliance and possibly result in a hazardous.
13. Please do not dispose this appliance into the domestic rubbish bin; it should be disposed to the particular disposal center provided by the municipalities.
14. When the microwave oven with grill function is first used, it may produce slight smoke and smell. This is a normal phenomenon because the oven is made of a steel plate coated with lubricating oil, and the new oven will produce fumes and odor generated by burning the lubricating oil. This phenomenon will disappear after a period of using.

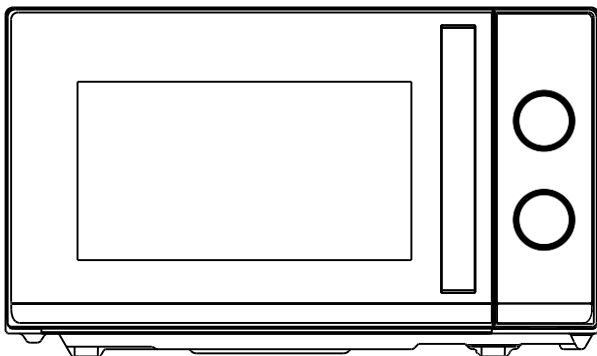


This appliance is labelled in accordance with European Directive 2012/19/EU on Waste Electrical and Electronic Equipment Regulations 2013 regarding electric and electronic appliances (WEEE). The WEEE contain both polluting substances (that can have a negative effect on the environment) and base elements (that can be reused). It is important that the WEEE undergo specific treatments to correctly remove and dispose of the pollutants and recover all the materials. Individuals can play an important role in ensuring that the WEEE do not become an environmental problem; it is essential to follow a few basic rules:

- the WEEE should not be treated as domestic waste;
- the WEEE should be taken to dedicated collection areas managed by the town council or a registered company.

In many countries, domestic collections may be available for large WEEEs. When you buy a new appliance, the old one can be returned to the vendor who must accept it free of charge as a one-off, as long as the appliance is of an equivalent type and has the same functions as the purchased appliance.

Návod k obsluze mikrovlnné trouby



Model: CMG20TNMB

Před instalací a obsluhou trouby si pečlivě přečtete tento návod.

OBSAH

| | |
|--|-----------|
| OPATŘENÍ K ZABRÁNĚNÍ MOŽNÉMU VYSTAVENÍ NADMĚRNÉ MIKROVLNNÉ ENERGII..... | 3 |
| DŮLEŽITÉ BEZPEČNOSTNÍ POKYNY | 3 |
| INSTALAČNÍ PŘÍRUČKA..... | 6 |
| POKYNY K UZEMNĚNÍ..... | 6 |
| RÁDIOVÉ RUŠENÍ | 7 |
| PŘED VYŽÁDÁNÍM SLUŽBY | 7 |
| TECHNIKY VAŘENÍ..... | 7 |
| PRŮVODCE KUCHYŇSKÝM NÁČINÍM..... | 8 |
| SPECIFIKACE | 9 |
| DIAGRAM PRODUKTU..... | 9 |
| OVLÁDACÍ PANEL | 10 |
| VOLIČ VÝKONU/AKCE | 10 |
| KNOFLÍK ČASOVAČE | 10 |
| MIKROVLNNÁ PŘÍPRAVA POKRMŮ | 10 |
| VAŘENÍ NA GRILU | 10 |
| KOMBINOVANÉ VAŘENÍ..... | 11 |
| PROVOZNÍ POKYNY..... | 11 |
| ČIŠTĚNÍ A PÉČE | 11 |

OPATŘENÍ K ZABRÁNĚNÍ MOŽNÉMU VYSTAVENÍ NADMĚRNÉ MIKROVLNNÉ ENERGII

1. Nepokoušejte se používat tuto troubu s otevřenými dvířky, protože provoz s otevřenými dvířky může mít za následek škodlivé vystavení mikrovlnné energii. Je důležité, abyste neporazili bezpečnostní zámky ani s nimi nemanipulovali.
2. Mezi přední stěnu trouby a dvířka neumísťujte žádné předměty, ani nedovolte, aby se na těsnících plochách hromadila špína nebo zbytky čisticího prostředku.
3. Pokud je trouba poškozená, nepoužívejte ji. Je velmi důležité, aby se dvířka trouby správně zavírala a aby nedošlo k poškození
 - a) Dvířka (včetně jakýchkoli ohnutých),
 - b) Závěsy a západky (prasklé nebo uvolněné),
 - c) Těsnění dvířek a těsnící plochy.
4. Roura by neměla být seřizována ani opravována nikým jiným než kvalifikovaným servisním personálem.

DŮLEŽITÉ BEZPEČNOSTNÍ POKYNY

Při používání elektrického spotřebiče je třeba dodržovat základní bezpečnostní opatření, včetně následujících:

VAROVÁNÍ: Snižte riziko popálení, úrazu elektrickým proudem, požáru, zranění osob nebo vystavení nadměrné mikrovlnné energii:

1. Před použitím spotřebiče si přečtěte celý návod a uschovejte jej pro budoucí použití.
2. Tento spotřebič používejte pouze k určenému účelu, jak je popsáno v tomto návodu. V tomto spotřebiči nepoužívejte korozivní chemikálie ani páry. Tento typ trouby je speciálně určen k ohřevu, vaření nebo sušení potravin. Není určen pro průmyslové nebo laboratorní použití.
3. Neprovozujte troubu, pokud je prázdná.
4. Nepoužívejte tento spotřebič, pokud má poškozený kabel nebo zástrčku, pokud nepracuje správně nebo pokud byl poškozen nebo spadl. Pokud je napájecí kabel

poškozen, musí být vyměněn výrobcem, jeho servisním technikem nebo podobně kvalifikovanou osobou, aby se zabránilo nebezpečí.

5. VAROVÁNÍ: UPOZORNĚNÍ! Děti smí používat troubu bez dozoru pouze tehdy, pokud jim byly poskytnuty odpovídající pokyny, aby mohly troubu používat bezpečným způsobem a pochopily nebezpečí spojené s nesprávným použitím.
6. VAROVÁNÍ: Pokud je spotřebič provozován v kombinovaném režimu, měly by děti troubu používat pouze pod dohledem dospělých, a to kvůli teplotám, které v ní vznikají.
7. Pro snížení rizika požáru uvnitř trouby:
 - a) Při ohřívání potravin v plastových nebo papírových nádobách sledujte troubu kvůli možnosti vznícení;
 - b) Před vložením sáčku do trouby odstraňte z papíru nebo plastových sáčků drátěné uzávěry.
 - c) Pokud se vyskytne kouř, ihned vypněte spotřebič a zástrčku vytáhněte ze zásuvky, dvířka nechte otevřená a případný oheň uhasťte.
 - d) Nepoužívejte vnitřní prostor trouby pro skladování. Nenechávejte uvnitř papírové výrobky, kuchyňské náčiní nebo potraviny, pokud nejsou používány.
 - e) Mikrovlnná trouba je určena k ohřevu jídla a nápojů. Sušení oděvů a ohřívání zahřívacích podložek, pantoflí, hub, vlhkých hadrů a podobných předmětů může způsobit poranění, vznícení či požár.
8. VAROVÁNÍ: Tekutiny nebo jiné potraviny se nesmí ohřívát v uzavřených nádobách, protože hrozí jejich výbuch.
9. Mikrovlnné ohřívání nápojů může vést k jejich opožděnému bublajícímu vaření, proto při manipulaci s těmito nápoji dbejte zvýšené opatrnosti.
10. Jídlo v troubě nesmažte. Horký olej může poškodit části trouby a kuchyňské potřeby a dokonce může způsobit popáleniny kůže.
11. Vajíčka ve skořápce a vajíčka vařená natvrdo by se neměla ve spotřebiči ohřívát, protože mohou explodovat i po dokončení mikrovlnného ohřevu.
12. Potraviny s tvrdou kůrou před vařením propíchněte, např. brambory, dýně, jablka a kaštany.
13. Obsah kojeneckých lahví a lahvíček s dětskou výživou je třeba před použitím promíchat nebo s nimi zatřepat, abyste tak předešli popáleninám.
14. Náčiní na vaření se mohou zahřát v důsledku tepla přenášeného z ohřivaného jídla. Pro manipulaci s náčiním mohou být zapotřebí kuchyňské chňapky.
15. Kuchyňské náčiní je třeba zkontrolovat, aby se zajistilo, že je vhodné k použití v mikrovlnných troubách.
16. VAROVÁNÍ: UPOZORNĚNÍ! Je nebezpečné pro kohokoli jiného než kvalifikovaného opraváře provádět jakýkoli servis nebo opravy, které zahrnují demontáž krytu, který ochraňuje proti expozici mikrovlnné energii.
17. Tato mikrovlnná trouba je v souladu s normou EN 55011/CISPR 11, v této normě patří do třídy B skupiny 2. Zařízení skupiny 2: Skupina 2 obsahuje všechna zařízení ISM RF, v nichž je záměrně vytvářena a používána radiofrekvenční energie ve frekvenčním rozsahu 9 kHz až 400 GHz nebo je používána pouze lokálně, ve formě elektromagnetického záření, indukční a/nebo kapacitní vazby, pro úpravu materiálu, pro inspekční/analytické účely nebo pro přenos elektromagnetické energie Zařízení třídy B je zařízení vhodné pro použití v

- místech v obytném prostředí a v zařízeních přímo připojených k síti nízkého napětí, která zásobuje budovy používané pro domácí účely.
18. Tento spotřebič nesmějí používat osoby (včetně dětí) se sníženými fyzickými, smyslovými nebo duševními schopnostmi nebo nedostatečnými zkušenostmi a znalostmi, pokud nejsou pod dohledem osoby odpovědné za jejich bezpečnost nebo nebyly touto osobou poučeny ohledně používání spotřebiče.
 19. Děti by měly být dohledem, aby se zajistilo, že si se spotřebičem nebudou hrát.
 20. Mikrovlnná trouba se používá pouze jako volně stojící.
 21. VAROVÁNÍ: Neinstalujte troubu nad varnou desku nebo jiný tepelný spotřebič. V případě instalace by mohlo dojít k poškození a záruka by se vyhnout.
 22. Mikrovlnná trouba nesmí být umístěna ve skříní.
 23. Dvířka nebo vnější povrch se mohou při provozu spotřebiče zahřát.
 24. VAROVÁNÍ: Přístupné části se mohou během používání zahřát. Malé děti by měly být drženy v dostatečné vzdálenosti.
 25. Během používání se spotřebiče zahřejí. Dávejte pozor, abyste se nedotkli topných prvků ploténky a na pečení uvnitř trouby.
 26. Teplota přístupných povrchů může být při provozu spotřebiče vysoká.
 27. Spotřebič nesmí používat děti nebo osoby se sníženými fyzickými, smyslovými nebo duševními schopnostmi nebo s nedostatkem zkušeností a znalostí, pokud nebyly pod dohledem nebo poučeny.
 28. VAROVÁNÍ: Pokud jsou poškozena dvířka nebo těsnění dvířek, nesmí být trouba provozována, dokud ji neopraví odborně způsobilá osoba.
 29. V návodu musí být uvedeno, že spotřebiče nejsou určeny k provozu pomocí externího časovače nebo samostatného dálkového ovládání.
 30. Mikrovlnná trouba je určena pouze pro použití v domácnosti a ne pro komerční použití.
 31. Nikdy neodstraňujte distanční lištu, která se nachází zezadu a na stranách, protože zajišťuje minimální vzdálenost od stěny pro cirkulaci vzduchu.
 32. Před přesunem spotřebiče zajistěte otočný talíř, abyste předešli jeho poškození.
 33. Pozor: POZOR! Je nebezpečné, jestliže spotřebič opravuje nebo servisuje osoba, která není specialistou, protože za těchto okolností je třeba odstranit kryt, který zajišťuje ochranu před mikrovlnným zářením. To platí i pro výměnu napájecího kabelu nebo osvětlení. Spotřebič v těchto případech odešlete do našeho servisního střediska.
 34. Mikrovlnná trouba je určena pouze k rozmrazování, vaření a vaření v páře.
 35. Při vybírání jakéhokoli zahřátého jídla používejte rukavice.
 36. Pozor! Při otevírání víček nebo balící fólie unikne pára.
 37. Tento spotřebič smějí používat děti starší 8 let a osoby se sníženými fyzickými, smyslovými nebo duševními schopnostmi nebo bez patřičných zkušeností a znalostí, pokud jsou pod dohledem osoby odpovědné za jejich bezpečnost, případně byly poučeny o bezpečném používání spotřebiče a rozumějí možným nebezpečím. Děti si se spotřebičem nesmějí hrát. Čištění a údržbu uživatele nesmějí provádět děti, pokud nejsou starší 8 let a nejsou pod dohledem.
 38. Pokud ze spotřebiče vychází kouř, vypněte nebo odpojte jej a nechte dvířka zavřená, aby se případné plameny uhasily.

INSTALAČNÍ PŘÍRUČKA

1. Ujistěte se, že jste z vnitřního prostoru trouby vyjmuli veškerý obalový materiál.
2. **VAROVÁNÍ: UPOZORNĚNÍ!** Zkontrolujte, zda není trouba nějakým způsobem poškozená, například zda nejsou nevyrovnaná nebo zkřivená dvířka, poškozené nebo uvolněné dveřní závěsy, západky a ozuby uvnitř trouby nebo na dvířkách. Pokud dojde k poškození, troubu nepoužívejte a kontaktujte kvalifikovaný servisní personál.
3. Tato mikrovlnná trouba musí být umístěna na rovném, stabilním povrchu, aby udržela svou hmotnost a nejtěžší potraviny, které mohou být v troubě vařeny.
4. Neumísťujte troubu blízko tepelných zdrojů, na místa se zvýšenou vlhkostí nebo v blízkosti hořlavých materiálů.
5. Pro správnou funkci musí mít trouba dostatečný průtok vzduchu. Ponechte minimálně 20 cm volného prostoru nad horním povrchem trouby a 5 cm na obou stranách. Zadní plech mikrovlnné trouby musí být umístěna blízko stěny. Nezakrývejte ani neblokuje žádné otvory na spotřebiči. Neodstraňujte nožky.
6. Nepoužívejte troubu, jestliže skleněný talíř, válečkový prstenec, podpěra a hřídel nejsou na svém řádném místě.
7. Ujistěte se, že napájecí kabel není poškozený a není umístěn pod troubou ani na horkém nebo ostrém povrchu.
8. Zásuvka musí být snadno přístupná, aby ji bylo možné v případě nouze snadno odpojit.
9. Nepoužívejte troubu venku.

POKYNY K UZEMNĚNÍ

Tento spotřebič musí být uzemněn. Tato trouba je vybavena kabelem se zemnicím vodičem se zemnicí zástrčkou. Musí být zapojen do zásuvky, která je správně nainstalována a uzemněna. V případě elektrického zkratu snižuje uzemnění riziko úderu elektrickým proudem poskytnutím drátu, po kterém může odtéci elektrický proud. Doporučuje se, aby byl zajištěn samostatný okruh sloužící pouze troubě. Použití vysokého napětí je nebezpečné a může mít za následek požár nebo jinou nehodu způsobující poškození trouby.

UPOZORNĚNÍ! Nesprávné použití uzemňovací zástrčky může vést k riziku úrazu elektrickým proudem.

Poznámka:

1. Máte-li jakékoli dotazy týkající se uzemnění nebo elektrických pokynů, poraďte se s kvalifikovaným elektrikářem nebo servisním technikem.
2. Výrobce ani prodejce nemohou nést žádnou odpovědnost za poškození trouby nebo zranění osob v důsledku nedodržení postupů elektrického připojení.

Dráty v tomto hlavním kabelu jsou barevné podle následujícího kódu:

Zelená a žlutá = UZEMNĚNÍ

Modrá = NEUTRÁL

Hnědá = FÁZE

RÁDIOVÉ RUŠENÍ

Provoz mikrovlnné trouby může způsobit rušení rádia, televize nebo podobného zařízení. Pokud dojde k rušení, může být sníženo nebo eliminováno následujícími opatřeními:

1. Vyčistěte dvířka a těsnící povrch trouby.
2. Přesměrujte přijímací anténu rádia nebo televize.
3. Přemístěte mikrovlnnou troubu s ohledem na přijímač.
4. Přesuňte mikrovlnnou troubu od přijímače.
5. Zapojte napájecí kabel počítače do jiné zásuvky tak, aby počítač a přijímač byly připojeny k různým větvím obvodu.

PŘED VYŽÁDÁNÍM SLUŽBY

Než požádáte o servis, zkontrolujte každou položku níže:

- Zkontrolujte, zda je trouba bezpečně zapojena. Pokud ne, vytáhněte zástrčku ze zásuvky, počkejte 10 sekund a znovu ji bezpečně zapojte.
- Zkontrolujte, zda není spálená pojistka obvodu nebo zda není vypnutý hlavní jistič. Pokud se zdá, že fungují správně, otestujte zásuvku jiným spotřebičem.
- Zkontrolujte, zda je ovládací panel správně naprogramován a časovač je nastaven.
- Zkontrolujte, zda jsou dvířka bezpečně zavřená s použitím systému zámku dvířek. Pokud nejsou dvířka správně zavřená, mikrovlnná energie nebude uvnitř proudit.

POKUD NIC Z VÝŠE UVEDENÉHO NEVYŘEŠÍ PROBLÉM, OBRAŤTE SE NA KVALIFIKOVANÉHO TECHNIKA. NESNAŽTE SE TROUBU UPRAVOVAT ANI OPRAVOVAT SAMI.

TECHNIKY VAŘENÍ

1. Opatrně připravte jídlo. Nejsilnější oblasti umístěte směrem k vnější straně nádoby.
2. Sledujte dobu přípravy pokrmu. Vařte co nejkratší dobu a podle potřeby přidejte další. Hodně převařené jídlo může kouřit nebo se i vznítit.
3. Během vaření zakryjte jídlo. Kryty zabraňují stříkání a pomáhají rovnoměrnému vaření jídla.
4. Během vaření s mikrovlnami jídlo jako kuře a hamburgery ke zrychlení vaření obraťte. Velké kusy, jako jsou pečeně, musí být otočeny alespoň jednou.
5. Jídlo jako masové kuličky uprostřed vaření promíchejte tak, aby se kuličky zdola dostaly nahoru a kuličky ze středu talíře na okraj.

PRŮVODCE KUCHYŇSKÝM NÁČINÍM

1. Mikrovlny nemohou procházet kovem. Používejte pouze nádobí vhodné pro použití v mikrovlnných troubách. Pro přípravu pokrmů a nápojů v mikrovlnné troubě nesmí být použity kovové nádoby. Tento požadavek neplatí, pokud výrobce uvede velikost a tvar kovových nádob vhodných pro vaření v mikrovlnné troubě.
2. Mikrovlny nemohou procházet kovem, nepoužívejte proto kovové nádobí nebo talíře s kovovým okrajem.
3. Při vaření s mikrovlnami nepoužívejte výrobky z recyklovaného papíru, mohou totiž obsahovat malé úlomky kovu, které by mohly při použití v troubě způsobit jiskření i požár.
4. Doporučujeme zvolit raději kulaté nebo oválné nádoby, protože ve čtvercových nebo obdélníkových se může jídlo v rozích přehřívat.
5. Úzké pásy hliníkové fólie lze použít k zabránění přehřátí exponovaných ploch. Ale buďte opatrní, nepoužívejte příliš mnoho a udržujte vzdálenost 2,54 cm mezi fólií a stěnou.

Níže uvedený seznam je obecným návodem, který vám pomůže vybrat správné nádobí.

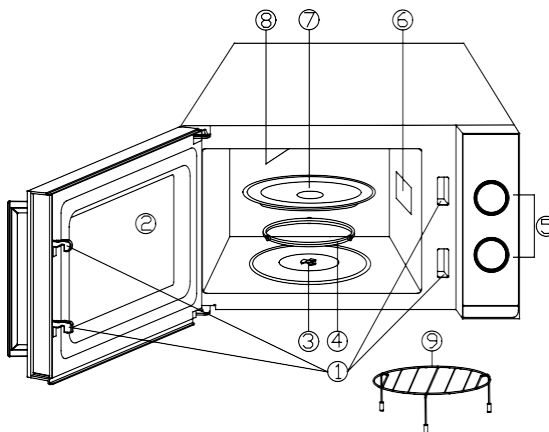
| Vaření | Mikrovlnná trouba | Gril | Kombinované vaření |
|---|-------------------|------|--------------------|
| Tepelně odolné sklo | Ano | Ano | Ano |
| Sklo, které není tepelně odolné | Ne | Ne | Ne |
| Tepelně odolná keramika | Ano | Ano | Ano |
| Plastové nádobí bezpečné pro mikrovlnnou troubu | Ano | Ne | Ne |
| Kuchyňský papír | Ano | Ne | Ne |
| Kovový talíř | Ne | Ano | Ne |
| Kovový stojan | Ne | Ano | Ne |
| Hliníkové fólie a fóliové obaly | Ne | Ano | Ne |

SPECIFIKACE

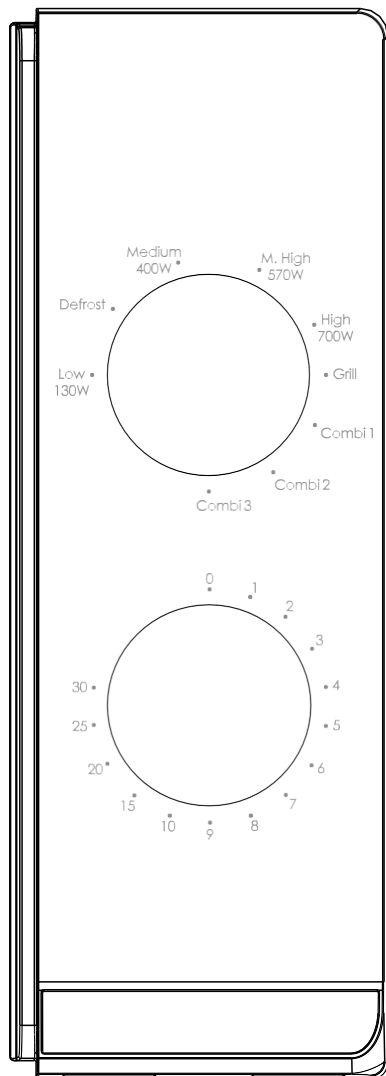
| | |
|-------------------------------|--|
| Spotřeba: | 230-240V/50Hz, 1200 W (mikrovlnná trouba); 900 W (gril) |
| Výstup | 700 W |
| Provozní frekvence: | 2450 MHz |
| Vnější rozměry | 262 mm (V) × 452 mm (Š) × 357 mm (H) |
| Rozměry vnitřní části trouby: | 198 mm (V) × 315 mm (Š) × 297 mm (H) |
| Objem trouby: | Kompaktní 20 litrů |
| Čistá hmotnost: | Přibližně 11 kg |

DIAGRAM PRODUKTU

1. Systém bezpečnostního zámku dvířek
2. OKÉNKO TROUBY
3. Hřídél
4. Válečkový prsteneček
5. Ovládací panel
6. Průvodce vlnami (Neodstraňujte slídovou destičku zakrývající vlnovod)
7. Skleněný talíř
8. Ohřívač grilu
9. Kovový stojan



OVLÁDACÍ PANEL



Ovládací panel se skládá ze dvou funkčních ovladačů. Jeden je časový knoflík a druhý výkonový knoflík.

Volič výkonu/akce

Pomocí tohoto ovládacího knoflíku můžete zvolit stupeň výkonu vaření. Je to první krok k zahájení vaření.

Knoflík časovače

Nabízí vizuální nastavení času, kdy si snadno otočením palce zvolíte požadovanou dobu vaření až do 30 minut na jednu varnou relaci.

Mikrovlnná příprava pokrmů

Pro čistě mikrovlnné vaření je k dispozici pět úrovní výkonu, z nichž si můžete vybrat tu, která je pro danou práci nejvhodnější. Úroveň výkonu se zvyšuje otáčením knoflíku ve směru hodinových ručiček. Úroveň výkonu lze rozdělit takto:

| výstupní výkon | Popis |
|----------------|---------------|
| 700 W | VYSOKÁ |
| 570 W | M.HIGH |
| 400 W | MED |
| | ROZMRAZOVÁNÍ: |
| 130 W | NÍZKÁ |

Vaření na grilu

Otočením knoflíku ve směru hodinových ručiček na nejvyšší úroveň mikrovlnného výkonu přejde trouba do funkce grilování, která je vhodná zejména pro přípravu tenkých plátků masa, steaků, kotlet, kebabu, klobás nebo kousků kuřete. Hodí se také k přípravě teplých sendvičů a gratinovaných pokrmů.

Kombinované vaření

Podle názvu se jedná o kombinaci mikrovlnného výkonu a grilu. Provoz je rozdělen do tří úrovní s různými kombinacemi nastavení výkonu, jak je patrné z následující tabulky. Ty jsou vhodné zejména pro některé potraviny a kulinářské provozy. Stejně jako pro zachování tolik žádoucí křupavosti některých potravin.

V následující tabulce jsou uvedena 3 různá nastavení výkonu pro kombinované programy.

| Program | Doba vaření v mikrovlnné troubě | Doba přípravy na grilu | Vhodné pro |
|---------|---------------------------------|------------------------|----------------------------------|
| Comb1 | 30% | o 70% | Ryby, brambory, obilí |
| Comb2 | 49% | 51% | Pudink, omelety, pečené brambory |
| Comb3 | 67 % | 33% | Drůbež |

PROVOZNÍ POKYNY

Zahájení vaření,

1. Vložte jídlo do trouby a zavřete dvířka.
2. Otočením voliče výkonu zvolte úroveň výkonu.
3. Otočením knoflíku časovače nastavte dobu vaření.

POZNÁMKA: Jakmile se časovač zapne, trouba začne péct. Při volbě času kratšího než 2 minuty otočte časovač za 2 minuty a poté se vraťte na správný čas.

POZOR: VŽDY VRAŤTE ČASOVAČ DO POLOHY NULA, pokud je jídlo vyjmuté z trouby před uplynutím nastavené doby pečení nebo pokud se trouba nepoužívá. Chcete-li troubu během pečení zastavit, stiskněte tlačítko pro uvolnění dvířek nebo dvířka otevřete za rukojeť.

ČIŠTĚNÍ A PÉČE

1. Před čištěním troubu vypněte a vytáhněte zástrčku ze zásuvky.
2. Udržujte vnitřek trouby čistý. Vystříknuté jídlo nebo rozlité tekutiny stačí setřít vlhkým hadříkem. Pokud je trouba velmi znečištěna, je možné použít i jemný čisticí prostředek. Nepoužívejte spreje a jiné drsné čisticí prostředky, protože mohou způsobit skvrny, šmouhy nebo zmatnění povrchu dveří.
3. Vnější povrchy by se měly čistit vlhkým hadříkem. Aby nedošlo k poškození vnitřních stěn mikrovlnné trouby, dbejte na to, aby se do průduchů nedostala voda.
4. Vlhkým hadříkem často otírejte dvířka a okénko po obou stranách, těsnění dvířek a přilehlé části, abyste odstranili všechny stříkance a rozlití jídel. Nepoužívejte abrazivní čisticí prostředek.
5. Parní čistič se nepoužívá.

6. Nedovolte, aby se ovládací panel namočil. Vyčistěte měkkým, vlhkým hadříkem. Při čištění ovládacího panelu nechte otevřená dvířka trouby, aby nedošlo k náhodnému zapnutí trouby.
7. Pokud se pára nahromadí uvnitř nebo kolem dvířek trouby, otřete ji měkkým hadříkem. K tomu může dojít, pokud je mikrovlnná trouba provozována při vysoké vlhkosti. Je to běžný jev.
8. Občas je nutné vyjmout skleněný talíř a vyčistit jej. Umyjte talíř v teplé mýdlové vodě nebo v myčce.
9. Válečkový prsteneček a dno trouby je třeba pravidelně čistit, aby nedocházelo k nadměrnému hluku. Jednoduše otřete dno trouby jemným čisticím prostředkem. Válečkový kroužek lze mýt v mírně vlažné vodě nebo v myčce nádobí. Při odstraňování kroužku válce z podlahy dutiny kvůli čištění se ujistěte, že je vyměněn ve správné poloze.
10. Zápach z trouby odstraníte tak, že v hluboké misce smícháte šálek vody se šťávou a kůrou z jednoho citronu a necháte 5 minut působit v mikrovlnné troubě. Důkladně ji otřete a vysušte měkkým hadříkem.
11. Pokud je nutné světlo trouby vyměnit, obraťte se na prodejce, aby vám ho vyměnil.
12. Troubu je třeba pravidelně čistit a odstraňovat z ní případné usazeniny potravin. Neudržování trouby v čistém stavu by mohlo vést ke zhoršení povrchu, které by mohlo nepříznivě ovlivnit životnost spotřebiče a případně vést k nebezpečnému.
13. Tento spotřebič nevyhazujte do domácího odpadu. Měl by být zlikvidován ve speciálním sběrném dvoře, který zřídila obec.
14. Při prvním použití mikrovlnné trouby s funkcí grilu se může vytvořit mírný kouř a zápach. Je to běžný jev, protože trouba je vyrobena z ocelového plechu potaženého mazacím olejem a nová trouba bude produkovat výpary a zápach, který vzniká spalováním mazacího oleje. Tento jev zmizí po určité době používání.

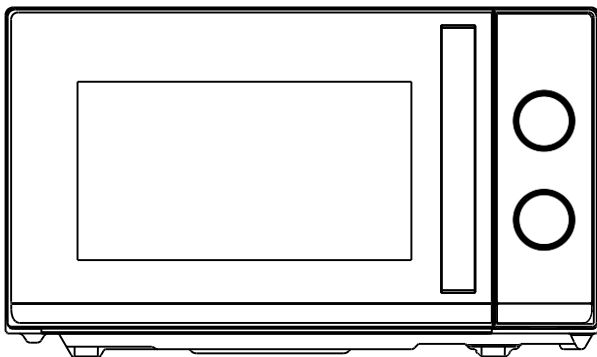


Tento spotřebič je označen v souladu s Evropskou směrnicí 2012/19/EU o odpadních elektrických a elektronických zařízeních z roku 2013, která se týká elektrických a elektronických zařízení (OEEZ). OEEZ obsahuje znečišťující látky (které mohou mít negativní dopad na životní prostředí) i základní prvky (které lze znovu použít). Je důležité, aby OEEZ prošel specifickými úpravami, a znečišťující látky tak byly správně odstraněny a zlikvidovány, a aby byly obnoveny všechny materiály. Jednotlivci mohou hrát důležitou roli při zajišťování toho, aby se OEEZ nestal zátěží pro životní prostředí. Je nezbytné dodržovat několik základních pravidel:

- OEEZ se nesmí likvidovat jako domovní odpad;
- OEEZ by měl být odvezen do vyhrazených sběrných oblastí spravovaných městskou radou nebo registrovanou společností.

V případě objemného OEEZ mohou být v mnoha zemích k dispozici sběry z domácností. Při zakoupení nového spotřebiče lze vrátit starý spotřebič prodejci, který je povinen jej jednorázově bezplatně přijmout, pokud je spotřebič obdobného typu a má stejné funkce jako zakoupený spotřebič.

Anweisungen für den Mikrowellenherd



Modell: CMG20TNMB

Bitte lesen Sie diese Anleitung vor der Installation
und dem Betrieb des Ofens sorgfältig durch.

INHALT

| | |
|--|----|
| VORSICHTSMASSNAHMEN ZUR VERMEIDUNG EINER MÖGLICHEN EXPOSITION GEGENÜBER ÜBERMÄSSIGER MIKROWELLENENERGIE | 3 |
| WICHTIGE SICHERHEITSANWEISUNGEN | 3 |
| MONTAGEANLEITUNG | 6 |
| HINWEISE ZUR ERDUNG DES GERÄTS | 7 |
| FUNKSTÖRUNG | 7 |
| BEVOR SIE DEN SERVICE ANRUFEN | 8 |
| KOCHTECHNIKEN | 8 |
| ANLEITUNG FÜR KOCHUTENSILIEN | 9 |
| EIGENSCHAFTEN | 10 |
| PRODUKTABBILDUNG | 10 |
| BEDIENFELD | 11 |
| LEISTUNGS-/AKTIONSWAHLSCHALTER | 11 |
| TIMER-KNOPF | 11 |
| MIKROWELLENGAREN..... | 11 |
| GAREN MIT DEM GRILL..... | 11 |
| KOMBINATIONSGAREN | 12 |
| BEDIENUNGSANWEISUNG | 12 |
| REINIGUNG UND PFLEGE | 13 |

VORSICHTSMASSNAHMEN ZUR VERMEIDUNG EINER MÖGLICHEN EXPOSITION GEGENÜBER ÜBERMÄSSIGER MIKROWELLENENERGIE

1. Versuchen Sie nicht, diesen Ofen bei geöffneter Tür zu benutzen, weil der Betrieb mit geöffneter Tür zu einer schädlichen Einwirkung von Mikrowellenenergie führen kann. Es ist wichtig, die Sicherheitsverriegelungen nicht zu deaktivieren oder zu manipulieren.
2. Achten Sie darauf, dass sich keine Gegenstände zwischen Ofenvorderseite und Tür befinden und sich weder Schmutz noch Reinigungsrückstände auf Dichtflächen ansammeln.
3. Benutzen Sie den Ofen nicht, wenn er beschädigt ist. Es ist insbesondere wichtig, dass die Ofentür ordnungsgemäß schließt und folgende Komponenten unbeschädigt sind:
 - a) Tür (einschließlich eventueller Biegungen),
 - b) Scharniere und Riegel (gebrochen oder lose)
 - c) Türdichtungen und Dichtflächen
4. Der Ofen darf nur von qualifiziertem Servicepersonal eingestellt oder repariert werden.

WICHTIGE SICHERHEITSAUWEISUNGEN

Bei der Benutzung von Elektrogeräten sind grundlegende Vorsichtsmaßnahmen zu beachten, einschließlich des Folgenden:

WARNING: Um die Gefahr von Verbrennungen, Stromschlägen, Feuer, Personenschäden oder übermäßiger Mikrowellenenergie zu verringern:

1. Lesen Sie alle Anweisungen, bevor Sie das Gerät verwenden, und bewahren Sie sie zum späteren Nachschlagen auf.
2. Verwenden Sie dieses Gerät nur für den in dieser Anleitung beschriebenen bestimmungsgemäßen Zweck. Verwenden Sie in diesem Gerät keine ätzenden Chemikalien oder Dämpfe. Dieser Ofentyp ist speziell zum Erhitzen, Kochen oder

Trocknen von Lebensmitteln konzipiert. Es ist nicht für den industriellen oder Laboreinsatz ausgelegt.

3. Benutzen Sie den Ofen nicht, wenn er leer ist.
4. Benutzen Sie dieses Gerät nicht, wenn ein Kabel oder Stecker beschädigt ist oder wenn es nicht ordnungsgemäß funktioniert oder beschädigt oder fallengelassen wurde. Wenn das Netzkabel beschädigt ist, muss es durch den Hersteller oder dessen Kundendienst oder eine ähnlich qualifizierte Person ersetzt werden, um Gefahren zu vermeiden
5. **WARNUNG:** Kinder dürfen den Ofen nur dann unbeaufsichtigt benutzen, nachdem sie eine entsprechende Einweisung erhalten haben, damit sie ihn auf sichere Weise benutzen und die Gefahren durch unsachgemäße Verwendung verstanden haben.
6. **Warnung:** Wenn das Gerät im Kombinationsmodus betrieben wird, sollten Kinder den Ofen aufgrund der erzeugten Temperaturen nur unter Aufsicht von Erwachsenen benutzen.
7. Um die Brandgefahr im Ofeninneren zu verringern:
 - a) Behalten Sie beim Erhitzen von Speisen in Kunststoff- oder Papierbehältern den Ofen wegen der Entzündungsmöglichkeit im Auge;
 - b) Entfernen Sie Drahtverschlüsse aus Papier- oder Kunststoffbeuteln, bevor Sie die Beutel in den Ofen legen.
 - c) Sollte Rauch auftreten, muss das Gerät sofort ausgeschaltet oder der Netzstecker gezogen werden und die Tür geschlossen bleiben, um Flammen zu ersticken.
 - d) Benutzen Sie das Gerät nicht als Aufbewahrungsort. Lassen Sie bei Nichtgebrauch keine Papierprodukte, Kochutensilien oder Lebensmittel im Gerät.
 - e) Die Mikrowelle dient zum Aufwärmen von Nahrungsmitteln und Getränken. Das Trocknen von Nahrungsmitteln und Aufwärmen von Heizkissen, Pantoffeln, Schwämmen, feuchten Textilien und Ähnlichem kann zu Verletzungen, Entzündungs- oder Brandgefahr führen.
8. **WARNUNG:** Flüssigkeiten oder andere Lebensmittel dürfen nicht in verschlossenen Behältern erhitzt werden, weil sie explodieren können.
9. Beim Erwärmen von Getränken mittels Mikrowellen kann es zu einem verzögerten eruptiven Aufkochen kommen. Daher ist beim Hantieren mit dem Behältnis Vorsicht geboten.
10. Frittieren Sie keine Speisen im Ofen. Heißes Öl kann Ofenteile und Gegenstände beschädigen und auch zu Hautverbrennungen führen.
11. Rohe und hartgekochte Eier sollten nicht in Mikrowellenöfen erhitzt werden, weil sie auch nach Beendigung des Heizvorgangs noch explodieren können.
12. Stechen Sie Lebensmittel mit einer harten Schale wie Kartoffeln, ganze Kürbisse, Äpfel und Kastanien vor dem Garen an.
13. Der Inhalt von Säuglingsflaschen und Babygläsern sollte umgerührt oder geschüttelt und die Temperatur vor dem Verabreichen überprüft werden, um Verbrennungen zu vermeiden.
14. Kochutensilien können aufgrund der von den erhitzten Lebensmitteln übertragenen Wärme heiß werden. Für die Handhabung können Topflappen erforderlich sein.

15. Kochutensilien müssen auf ihre Eignung für den Einsatz im Mikrowellenofen überprüft werden.
16. **WARNUNG:** Für ungeschulte Personen ist es gefährlich, Wartungs- oder Reparaturarbeiten durchzuführen, bei denen Abdeckungen entfernt werden, die Schutz vor Mikrowellenenergie bietet.
17. Diese Mikrowelle entspricht der Norm EN 55011/CISPR 11, in dieser Norm ist sie der Klasse B Gruppe 2 zugeordnet. Geräte der Gruppe 2: Die Gruppe 2 enthält alle ISM-HF-Geräte, in denen Hochfrequenzenergie im Frequenzbereich von 9 kHz bis 400 GHz absichtlich erzeugt und verwendet wird oder nur lokal in Form von elektromagnetischer Strahlung, induktiver und/oder kapazitiver Kopplung, für die Behandlung von Material, für Inspektions-/Analysezwecke oder für die Übertragung von elektromagnetischer Energie verwendet wird. Geräte der Klasse B sind Geräte, die für den Einsatz an Orten in Wohnumgebungen und in Einrichtungen geeignet sind, die direkt an ein Niederspannungsnetz angeschlossen sind, das Gebäude versorgt, die für Wohnzwecke genutzt werden.
18. Das Gerät darf von Personen (einschließlich Kindern) mit eingeschränkten physischen, sensorischen oder geistigen Fähigkeiten sowie einem Erfahrungs- und Kenntnismangel nur unter Aufsicht oder nach ausreichender Einweisung durch eine für ihre Sicherheit verantwortliche Person benutzt werden.
19. Kinder müssen beaufsichtigt werden, um sicherzugehen, dass sie nicht am Gerät herumspielen.
20. Der Mikrowellenherd wird nur freistehend verwendet.
21. **WARNUNG:** Installieren Sie den Ofen nicht über einer Herdplatte oder einem anderen wärmeerzeugenden Gerät. Im eingebauten Zustand könnte das Gerät beschädigt werden und die Garantie würde entfallen.
22. Das Mikrowellengerät darf nicht in einem Schrank untergebracht werden.
23. Die Tür oder die Außenfläche kann heiß werden, wenn das Gerät in Betrieb ist.
24. **Achtung:** Bei eingeschaltetem Gerät können die äußeren Bauteile heiß werden. Kleinkinder sollten sich nicht in der Nähe des Gerätes aufhalten.
25. Während des Betriebs werden die Geräte heiß. Achten Sie darauf, dass Sie die Heizelemente im Inneren des Ofens nicht berühren, bei Herdplatten und Backöfen.
26. Die Temperatur von zugänglichen Oberflächen kann im Betrieb hoch sein.
27. Das Gerät darf nicht von Kinder oder Personen mit eingeschränkten physischen, sensorischen oder mentalen Fähigkeiten oder einem Mangel an Erfahrung und Wissen benutzt werden, es sei denn, sie werden beaufsichtigt oder haben umfassende Anweisungen erhalten.
28. **WARNUNG:** Wenn die Tür oder die Türdichtungen beschädigt sind, darf der Ofen nicht betrieben werden, bis er von einer kompetenten Person repariert wurde.
29. In der Anleitung muss darauf hingewiesen werden, dass die Geräte nicht für den Betrieb mit einer externen Zeitschaltuhr oder einem separaten Fernbedienungssystem vorgesehen sind.
30. Das Mikrowellengerät ist nur für den Hausgebrauch und nicht für den gewerblichen Gebrauch bestimmt.
31. Entfernen Sie niemals den Abstandshalter hinten oder an den Seiten, da dieser einen Mindestabstand zur Wand für die Luftzirkulation gewährleistet.

32. Sichern Sie den Drehteller, bevor Sie das Gerät bewegen, um Schäden zu vermeiden.
33. Vorsicht: Es ist gefährlich, das Gerät nur von einem Fachmann reparieren oder warten zu lassen, da unter diesen Umständen die Abdeckung entfernt werden muss, die den Schutz vor Mikrowellenstrahlung sicherstellt. Dies gilt auch für das Auswechseln des Netzkabels oder der Beleuchtung. Schicken Sie das Gerät in diesen Fällen an unsere Servicestelle.
34. Der Mikrowellenherd ist nur zum Auftauen, Garen und Dämpfen von Speisen bestimmt.
35. Verwenden Sie Handschuhe, wenn Sie erhitzte Speisen entnehmen.
36. Vorsicht! Beim Öffnen von Deckeln oder beim Einwickeln von Folien entweicht Dampf.
37. Dieses Gerät darf von Kindern ab 8 Jahren und Personen mit eingeschränkten körperlichen, sensorischen oder geistigen Fähigkeiten oder ohne Erfahrung und Wissen nur benutzt werden, wenn sie beaufsichtigt werden oder Anweisungen für den sicheren Gebrauch des Geräts erhalten und die damit verbundenen Gefahren verstanden haben. Kinder dürfen keinesfalls mit dem Gerät spielen. Reinigung und Wartung darf nicht von Kindern durchgeführt werden, es sei denn, sie sind über 8 Jahre alt und werden überwacht.
38. Sollte Rauch auftreten, muss das Gerät sofort ausgeschaltet oder der Netzstecker gezogen werden und die Tür geschlossen bleiben, um Flammen zu ersticken.

MONTAGEANLEITUNG

1. Vergewissern Sie sich, dass alle Verpackungsmaterialien von der Innenseite der Tür entfernt sind.
2. **WARNUNG:** Überprüfen Sie den Ofen auf Beschädigungen, wie Fehlansrichtungen oder verbogene Türen, beschädigte Türdichtungen und Dichtungsflächen, gebrochene oder lose Türscharniere und Verriegelungen sowie Dellen innerhalb des Hohlraums oder an der Tür. Benutzen Sie den Ofen nicht und wenden Sie sich an qualifiziertes Servicepersonal, falls Beschädigungen vorhanden sind.
3. Dieser Mikrowellenofen ist auf einer ebenen, stabilen Fläche aufzustellen, die seinem Gewicht, einschließlich der schwersten darin wahrscheinlich zubereiteten Lebensmittel, standhalten kann.
4. Stellen Sie den Ofen weder dort auf, wo Hitze, Feuchtigkeit oder hohe Luftfeuchtigkeit erzeugt werden, noch in der Nähe brennbarer Materialien.
5. Für einen ordnungsgemäßen Betrieb muss der Ofen eine ausreichende Belüftung haben. Es ist ein Freiraum von mindestens 20 cm über der Oberseite des Ofens und 5 cm an beiden Seiten erforderlich. Die Rückwand des Mikrowellenofens muss nahe an der Wand platziert werden. Die Geräteöffnungen dürfen weder abgedeckt noch blockiert werden. Entfernen Sie die Gerätefüße nicht.
6. Benutzen Sie den Backofen nur, wenn Glasteller, Rollenträger und Welle korrekt positioniert sind.
7. Vergewissern Sie sich, dass das Netzkabel unbeschädigt ist und weder unter dem Ofen noch über eine heiße oder scharfe Oberfläche verlegt wurde.

8. Die Steckdose muss leicht zugänglich sein, damit der Stecker im Notfall leicht abgezogen werden kann.
9. Benutzen Sie den Ofen nicht im Freien.

HINWEISE ZUR ERDUNG DES GERÄTS

Dieses Gerät muss geerdet sein. Anschlusskabel und Stecker dieses Ofen verfügen über einen Erdungsleiter. Das Gerät muss an einer ordnungsgemäß installierten und geerdeten Steckdose angeschlossen werden. Bei einem Kurzschluss verringert die Erdung die Gefahr eines Stromschlags, indem ein Flucht draht für den elektrischen Strom bereitgestellt wird. Der Ofen sollte möglichst an einem eigenen, separaten Stromkreis angeschlossen werden. Die Benutzung von Hochspannung ist gefährlich und kann zu einem Brand oder einem anderen Unfall führen, der Ofenschäden verursacht.

WARNUNG Bei unsachgemäßer Verwendung des Erdungssteckers besteht die Gefahr eines elektrischen Schlages.

Hinweis:

1. Bei Fragen zur Erdung oder Elektroinstallation wenden Sie sich an einen qualifizierten Elektriker oder Servicetechniker.
2. Weder der Hersteller noch der Händler haften für Schäden am Ofen oder Personenschäden, wenn die Hinweise für den Stromanschluss nicht beachtet werden.

Die Drähte in diesem Hauptkabel haben folgenden Farbcode: Grün und Gelb = ERDE

Blau = NULLLEITER

Braun = PHASE

FUNKSTÖRUNG

Der Betrieb des Mikrowellenofens kann Störungen an Ihrem Radio, Fernseher oder ähnlichen Geräten verursachen. Störungen können durch folgende Maßnahmen reduziert oder beseitigt werden:

1. Tür und Dichtfläche des Ofens reinigen.
2. Richten Sie die Empfangsantenne von Radio oder Fernsehen neu aus.
3. Richten Sie den Mikrowellenofen in Bezug auf den Empfänger anders aus.
4. Bewegen Sie den Mikrowellenofen vom Empfänger weg.
5. Schließen Sie den Mikrowellenofen an einen anderen Stromkreis als den Empfänger an.

BEVOR SIE DEN SERVICE ANRUFEN

Bevor Sie den Service in Anspruch nehmen, überprüfen Sie bitte jeden der folgenden Punkte:

- Prüfen Sie, ob der Ofen fest eingesteckt ist. Ist dies nicht der Fall, ziehen Sie den Stecker aus der Steckdose, warten 10 Sekunden und schließen ihn dann wieder an.
- Prüfen Sie, ob eine Sicherung durchgebrannt ist oder der Hauptschalter ausgelöst wurde. Falls diese korrekt zu funktionieren scheinen, überprüfen Sie die Steckdose mit einem anderen Gerät.
- Prüfen Sie, ob das Bedienfeld korrekt programmiert und der Timer eingestellt ist.
- Prüfen Sie, ob die Tür sicher geschlossen ist, indem Sie das Türverriegelungssystem einrasten lassen. Wenn die Tür nicht richtig geschlossen ist, kann die Mikrowellenenergie nicht ins Innere fließen.

WENN KEINER DER OBEN GENANNTEN PUNKTE DIE SITUATION BEHEBT, WENDEN SIE SICH AN EINEN QUALIFIZIERTEN TECHNIKER. VERSUCHEN SIE NICHT, DEN OFEN SELBST EINZUSTELLEN ODER ZU REPARIEREN.

KOCHTECHNIKEN

1. Ordnen Sie das Gargut sorgfältig an. Legen Sie die dicksten Stücke außen in die Schale.
2. Beachten Sie die Garzeit. Garen Sie für die kürzeste angegebene Zeit und verlängern Sie bei Bedarf. Stark übergarnte Lebensmittel können rauchen oder sich entzünden.
3. Decken Sie das Gargut ab. Dies verhindert Spritzer und unterstützt ein gleichmäßiges Garen
4. Wenden Sie das Gargut einmal während der Mikrowellenzubereitung, damit Lebensmittel wie Geflügel und Hamburger schneller gar werden. Große Stücke wie Braten müssen mindestens einmal gewendet werden.
5. Schichten Sie Gargut wie Fleischbällchen zur Hälfte des Garvorgangs sowohl von oben nach unten als auch von der Mitte des Tellers nach außen um.

ANLEITUNG FÜR KOCHUTENSILIEN

1. Mikrowellen können Metall nicht durchdringen. Nur Utensilien benutzen, die auch für den Gebrauch in der Mikrowelle geeignet sind. Metallbehälter für Speisen und Getränke sind zum Garen in der Mikrowelle nicht erlaubt. Diese Anforderung gilt nicht, wenn der Hersteller Größe und Form von Metallbehältern angibt, die für das Garen in der Mikrowelle geeignet sind.
2. Mikrowellen können kein Metall durchdringen. Daher sollten die benutzten Gegenstände oder das Geschirr kein Metall aufweisen.
3. Verwenden Sie beim Mikrowellengaren keine recycelten Papierprodukte, weil diese kleine Metallfragmente enthalten können, die Funken und/oder Brände verursachen können.
4. Benutzen Sie rundes/ovales statt quadratisches/längliches Geschirr, weil Speisen in Ecken zum Überkochen neigen.
5. Um ein Überkochen freiliegender Bereiche zu verhindern, können schmale Streifen aus Aluminiumfolie verwendet werden. Aber seien Sie vorsichtig! Nehmen Sie nicht zu viel und halten Sie einen Abstand von ca. 2,5 cm zwischen Folie und Ofenwand.

Die folgende Liste ist ein allgemeiner Leitfaden, der Ihnen bei der Auswahl der richtigen Utensilien hilft.

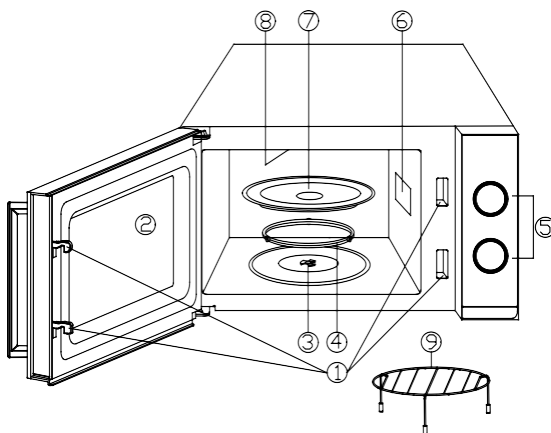
| Kochwaren | Mikrowelle | Grill | Kombination |
|--------------------------------------|------------|-------|-------------|
| Hitzebeständiges Glas | Ja | Ja | Ja |
| Nicht hitzebeständiges Glas | Nr. | Nein | Nein |
| Hitzebeständige Keramik | Ja | Ja | Ja |
| Mikrowellenfestes Kunststoffgeschirr | Ja | Nein | Nein |
| Küchenpapier | Ja | Nein | Nein |
| Metallschale | Nein | Ja | Nein |
| Metallgestell | Nein | Ja | Nein |
| Aluminiumfolie + Folienbehältnis | Nein | Ja | Nein |

EIGENSCHAFTEN

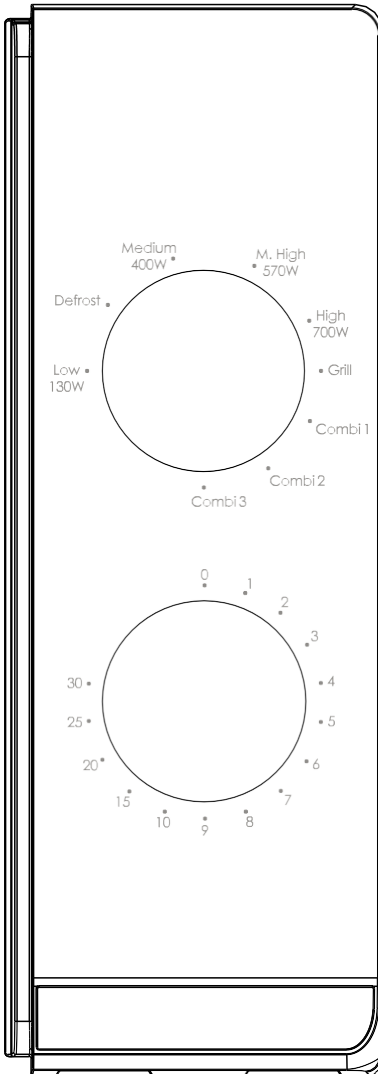
| | |
|----------------------------|---|
| Leistungsaufnahme | 230-240V/50Hz, 1200 W(Mikrowelle); 900W(Grill) |
| Ausgang | 700 W |
| Betriebsfrequenz: | 2450 MHz |
| Außenabmessungen | 262 mm(H)×452mm(B)×357 mm(T) |
| Abmessungen des Ofenraums: | 198 mm(H)×315 mm(B)×297 mm(T) |
| Ofenkapazität: | Kompakt 20 Liter |
| Nettogewicht: | Ca.11 kg |

PRODUKTABBILDUNG

1. Türsicherheitstürverriegelung
2. Ofenfenster
3. Welle
4. Walzenring
5. Bedienfeld
6. Wellenleiter
(Bitte entfernen Sie nicht die Glimmerplatte, die den Wellenleiter abdeckt)
7. Glassteller
8. Grillheizung
9. Metallgestell



BEDIENFELD



Das Bedienfeld besteht aus zwei Funktionsoperatoren. Einer ist ein Zeitregler und der andere ein Leistungsregler.

Leistungs-/Aktionswahlschalter

Mit diesem Bedienknopf wählen Sie eine Kochleistungsstufe. Es ist der erste Schritt, um eine Kochsession zu starten.

Timer-Knopf

Bietet visuelle Zeiteinstellungen, mit denen Sie durch einfaches Drehen des Daumens die gewünschte Garzeit von bis zu 30 Minuten pro Garvorgang auswählen können.

MIKROWELLENGAREN

Für das reine Garen in der Mikrowelle stehen fünf Leistungsstufen zur Verfügung, aus denen Sie eine auswählen können, die am besten für die jeweilige Aufgabe geeignet ist. Die Leistungsstufe erhöht sich mit dem Drehen des Knopfes im Uhrzeigersinn. Die Leistungsstufen können wie folgt klassifiziert werden:

| Strom-Ausgang | Beschreibung |
|---------------|--------------|
| 700 W | HOHE |
| 570 W | M.HOCH |
| 400 W | MED |
| | DEFROST |
| 130 W | NIEDRIG |

Garen mit dem Grill

Durch Drehen des Knopfes im Uhrzeigersinn über die höchste Mikrowellenleistungsstufe kommt der Ofen in die Grillfunktion, die besonders für dünne Fleischscheiben, Steaks, Koteletts, Spieße, Würstchen oder Hähnchenstücke geeignet ist. Er eignet sich auch zum Garen von heißen Sandwiches und überbackenen Gerichten.

Kombinationsgaren

Wie der Name schon sagt, kombiniert dieser Garvorgang die Mikrowellenleistung mit der des Grillens. Die Bedienung ist in drei Stufen mit unterschiedlichen Kombinationsleistungseinstellungen eingeteilt, wie Sie der folgenden Tabelle entnehmen können. Diese sind besonders für bestimmte Lebensmittel und kulinarische Vorgänge geeignet. Sowie zur Erhaltung der begehrten Knusprigkeit bestimmter Lebensmittel.

Die folgende Tabelle zeigt 3 verschiedene Leistungseinstellungen für Kombinationsprogramme.

| Programm | Garzeit in der Mikrowelle | Grill-Garzeit | Geeignet für |
|----------|---------------------------|---------------|---|
| Comb1 | 30 % | 70 % | Fisch, Kartoffeln, Au Getreide |
| Comb2 | 49 % | 51 % | Pudding, Omeletts, gebackene Kartoffeln |
| Comb3 | 67 % | 33 % | Geflügel |

BEDIENUNGSANWEISUNG

So starten Sie eine Kochsession,

1. Geben Sie die Speisen in den Ofen und schließen Sie die Tür.
2. Drehen Sie den Power Selector, um eine Leistungsstufe auszuwählen.
3. Drehen Sie den Timer-Knopf, um eine Garzeit einzustellen.

HINWEIS: Sobald der Timer gedreht wird, beginnt der Ofen zu garen. Wenn Sie eine Zeit von weniger als 2 Minuten wählen, drehen Sie den Timer über 2 Minuten hinaus und kehren dann zur richtigen Zeit zurück.

VORSICHT: STETS TIMER AUF NULLSTELLUNG ZURÜCKSTELLEN, wenn die Speisen vor Ablauf der eingestellten Garzeit aus dem Ofen genommen werden oder wenn der Ofen nicht benutzt wird. Um den Ofen während des Garvorgangs zu stoppen, drücken Sie die Türentriegelungstaste oder öffnen Sie die Tür am Griff.

REINIGUNG UND PFLEGE

1. Schalten Sie den Ofen aus und ziehen Sie vor dem Reinigen den Netzstecker aus der Steckdose.
2. Halten Sie das Innere des Ofens sauber. Wenn Lebensmittelspritzer oder verschüttete Flüssigkeiten an Ofenwänden haften, wischen Sie sie mit einem feuchten Tuch ab. Wenn der Ofen sehr verschmutzt ist, können Sie ein mildes Reinigungsmittel verwenden. Vermeiden Sie die Verwendung von Sprays und harten Reinigern, da sie die Türoberfläche verfärben oder stumpf machen können.
3. Die Außenflächen sollten mit einem feuchten Tuch gereinigt werden. Um Beschädigungen der Komponenten im Ofeninneren zu vermeiden, darf kein Wasser in die Lüftungsöffnungen eindringen.
4. Wischen Sie die Tür und das Fenster auf beiden Seiten, die Türdichtungen und angrenzenden Teile häufig mit einem feuchten Tuch ab, um Verschüttungen oder Spritzer zu entfernen. Verwenden Sie keinen abrasiven Reiniger.
5. Ein Dampfreiniger darf nicht verwendet werden.
6. Lassen Sie das Bedienfeld nicht nass werden. Reinigen Sie mit einem weichen, feuchten Tuch. Lassen Sie beim Reinigen des Bedienfelds die Ofentür offen, um ein versehentliches Einschalten des Ofens zu verhindern.
7. Wischen Sie Feuchtigkeit, die sich innen oder außen an der Ofentür gebildet hat, mit einem weichen Tuch ab. Dies kann auftreten, wenn das Mikrowellengerät unter hoher Luftfeuchtigkeit betrieben wird. Und das ist normal.
8. Gelegentlich muss der Glasteller zum Reinigen entnommen werden. Reinigen Sie den Teller in warmem Seifenwasser oder einer Geschirrspülmaschine.
9. Rollenring und Ofenboden sollten regelmäßig gereinigt werden, um übermäßige Geräusche zu vermeiden. Wischen Sie die Unterseite des Ofens mit einem milden Reinigungsmittel sauber. Der Rollenring kann in mildem Seifenwasser oder einem Geschirrspüler gereinigt werden. Achten Sie darauf, den Rollenring nach dem Reinigen wieder richtig zu platzieren.
10. Um Gerüche im Ofen zu beseitigen, stellen Sie eine Tasse Wasser mit dem Zitronensaft und -abrieb in einer tiefen Mikrowellenschale 5 Minuten lang in die Mikrowelle. Anschließend gründlich auswischen und mit einem weichen Tuch trockenreiben.
11. Falls die Ofenleuchte ausgetauscht werden muss, wenden Sie sich bitte an den Händler.
12. Der Ofen sollte regelmäßig gereinigt und jegliche Ablagerungen entfernt werden. Bei mangelhafter Reinigung könnte die Oberfläche zerstört werden, was sich negativ auf die Lebensdauer auswirkt und zu gefährlichen Situationen führen kann.
13. Bitte entsorgen Sie dieses Gerät nicht im Hausmüll, sondern bei der zuständigen kommunalen Entsorgungsstelle.
14. Wenn der Mikrowellenofen mit Grillfunktion zum ersten Mal verwendet wird, kann er leichten Rauch und Geruch erzeugen. Dies ist ein normales Phänomen, da der Ofen aus einer mit Schmieröl beschichteten Stahlplatte besteht und der neue Ofen Dämpfe und Gerüche erzeugt, die durch das Verbrennen des Schmieröls entstehen. Dieses Phänomen verschwindet nach einer gewissen Nutzungsdauer.

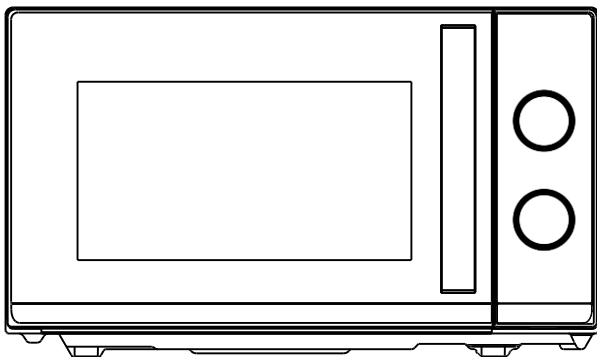


Dieses Gerät ist entsprechend der EU-Richtlinie 2012/19/EG für Elektro- und Elektronik-Altgeräte 2013 für Elektro- und Elektronik-Geräte (WEEE) gekennzeichnet. Unter die WEEE fallende Elektro- und Elektronik-Altgeräte enthalten sowohl umweltschädliche Stoffe (die negativen Folgen für die Umwelt verursachen) als auch wiederverwendbare Grundstoffe. Es ist wichtig, dass die Elektro- und Elektronik-Altgeräte einer spezifischen Behandlung unterzogen werden, um die Schadstoffe korrekt zu entfernen und zu entsorgen und alle Materialien zurückzugewinnen. Jeder kann dazu beitragen, dass Altelektrogeräte nicht zu einem Umweltproblem werden. Daher sollten unbedingt einige Grundregeln beachtet werden:

- Elektro- und Elektronik-Altgeräte dürfen nicht als Hausmüll entsorgt werden;
- Elektro- und Elektronik-Altgeräte sollten in speziellen Sammelstellen entsorgt werden, die von der Stadtverwaltung oder einem registrierten Unternehmen verwaltet werden.

In vielen Ländern sind inländische Sammlungen für große Elektro- und Elektronik-Altgeräte verfügbar. Bei Kauf eines neuen Geräts können Altgeräte möglicherweise an Händler, die einen kostenlosen 1-zu-1-Umtausch vornehmen müssen, zurückgegeben werden, solange das Gerät dem selben Typ entspricht und über die gleichen Funktionen wie das bereitgestellte Gerät verfügt.

Instrucciones para el horno de microondas



Modelo: CMG20TNMB

Lea estas instrucciones con mucha atención antes de instalar y utilizar el horno.

CONTENIDO

| | |
|--|-----------|
| PRECAUCIONES PARA EVITAR POSIBLES EXPOSICIONES A UN EXCESO DE ENERGÍA DE MICROONDAS | 3 |
| INSTRUCCIONES DE SEGURIDAD IMPORTANTES | 3 |
| GUÍA DE INSTALACIÓN | 6 |
| INSTRUCCIONES DE CONEXIÓN A TIERRA | 7 |
| INTERFERENCIAS DE RADIO | 7 |
| ANTES DE LLAMAR AL SERVICIO | 8 |
| TÉCNICAS DE COCCIÓN | 8 |
| GUÍA DE UTENSILIOS DE COCINA | 8 |
| ESPECIFICACIONES | 9 |
| ESQUEMA DEL PRODUCTO | 10 |
| PANEL DE CONTROL | 11 |
| SELECTOR DE POTENCIA/ACCIÓN | 11 |
| POMO DEL TEMPORIZADOR | 11 |
| COCINAR EN EL MICROONDAS | 11 |
| COCCIÓN CON GRILL | 11 |
| PROGRAMA COMBINADO | 12 |
| INSTRUCCIONES DE USO | 12 |
| LIMPIEZA Y MANTENIMIENTO | 13 |

PRECAUCIONES PARA EVITAR POSIBLES EXPOSICIONES A UN EXCESO DE ENERGÍA DE MICROONDAS

1. Evite utilizar este horno con la puerta abierta, ya que ello podría exponerle a un nivel perjudicial de energía de microondas. Es sumamente importante no intentar evitar ni forzar los enclavamientos de seguridad.
2. No ponga ningún objeto entre la cara frontal del horno y la puerta, ni deje que se acumule suciedad ni residuos de limpiador sobre las superficies de las juntas.
3. No utilice el horno si está dañado. Es muy importante que la puerta del horno se cierre correctamente y que no se dañen
 - a) Puerta (incluyendo si curvada),
 - b) Bisagras y enclavamientos (no deben romperse ni aflojarse),
 - c) Juntas de las puertas y de otras superficies.
4. El horno no debe ser ajustado o reparado por nadie excepto por personal de servicio cualificado.

INSTRUCCIONES DE SEGURIDAD IMPORTANTES

Al utilizar electrodomésticos, deben observarse algunas precauciones básicas de seguridad como las siguientes:

ADVERTENCIA: Para limitar el riesgo de quemaduras, descarga eléctrica, incendio, lesiones o exposición a un nivel excesivo de energía de microondas:

1. Lea todas las instrucciones antes de utilizar el horno y consérvelas para consultarlas en caso necesario en el futuro.
2. Utilice este aparato solo para su fin previsto y siempre de la manera que se explica en este manual. No emplee vapores ni productos químicos corrosivos con este aparato. Este tipo de horno está específicamente diseñado para calentar, cocinar o secar comida. No está diseñado para uso industrial o en laboratorios.
3. No ponga en marcha el horno si está vacío.
4. No utilice este electrodoméstico si el cable o el conector están dañados, si no funciona correctamente o si se ha caído al suelo o ha sufrido cualquier tipo de daño. Para evitar riesgos, será necesario cambiar cualquier cable de alimentación que esté dañado. Esta operación deberán llevarla a cabo el fabricante, su representante de servicio o cualquier otra persona cualificada.

5. **ADVERTENCIA:** Los niños/as pequeños/as no deberán utilizar el horno a menos que cuenten con supervisión adulta, entiendan los riesgos de un uso inadecuado y hayan recibido instrucciones claras para asegurarse de que el horno funcione de manera segura.
6. **Advertencia:** En el modo combinado, el aparato genera unas temperaturas muy elevadas, por lo que los/as niños/as solo podrán utilizarlo bajo la supervisión de un adulto.
7. Para limitar al mínimo el riesgo de fuego en el interior del horno:
 - a) Al calentar alimentos que vengan en un envase de plástico o papel, siempre existe riesgo de que dicho envase prenda fuego, por lo que deberá tener vigilado el horno en todo momento.
 - b) Antes de poner una bolsa de papel o plástico en el horno, quite de ella cualquier alambre de cierre que pueda tener.
 - c) Si observa algún tipo de humo, apague o desenchufe el aparato y deje cerrada la puerta para contener cualquier posible llama.
 - d) No utilice el interior del horno como espacio de almacenamiento. No deje papeles, utensilios de cocina ni comida en el interior del horno cuando no lo esté utilizando.
 - e) El horno microondas está pensado para calentar comida y bebida. Si lo utiliza para secar ropa o calentar almohadillas, zapatillas, esponjas, paños húmedos u otros objetos similares, existe el riesgo de que se produzcan incendios y lesiones.
8. **ADVERTENCIA:** Al calentar líquidos y alimentos, no deben meterse en envases sellados, ya que podrían explotar.
9. Al calentar bebidas en microondas, es posible que, incluso después de detener el aparato, el líquido siga hirviendo de forma viva y, como consecuencia, se derrame parte de él. Por este motivo, se recomienda el máximo cuidado al manipular el recipiente.
10. No fría comida en el horno. El aceite caliente puede dañar los utensilios y las piezas del horno e incluso provocar quemaduras en la piel.
11. No se deben calentar huevos enteros ni huevos duros en el horno microondas, ya que podrían explotar incluso después de que el microondas se haya parado.
12. Antes de cocinar alimentos de cáscara gruesa (patatas, calabazas enteras, manzanas, castañas...), se recomienda practicar incisiones en dicha cáscara.
13. Al calentar, biberones y potitos, deberá agitarse o removerse el contenido y comprobarse la temperatura antes de servir para evitar posibles quemaduras.
14. Es posible que el calor de la comida calentada pase a los utensilios de cocina. Se recomienda utilizar paños para manejar el utensilio.
15. Además, habrá que comprobar que cada utensilio empleado sea apto para microondas.
16. **ADVERTENCIA:** Las operaciones de reparación o mantenimiento que impliquen retirar una cubierta protectora contra energía de microondas debe realizarlas siempre personal cualificado. De lo contrario, dichas operaciones supondrían un riesgo.
17. Este microondas cumple con la norma EN 55011/CISPR 11, en esta norma pertenece a la clase B Grupo 2. Equipos del grupo 2: el grupo 2 contiene todos los equipos de radiofrecuencia ICM en los que se genera y se utiliza intencionadamente energía de radiofrecuencia en la gama de frecuencias de 9

kHz a 400 GHz, o sólo se utiliza localmente, en forma de radiación electromagnética, acoplamiento inductivo y/o capacitivo, para el tratamiento de material, con fines de inspección/análisis, o para la transferencia de energía electromagnética. Los equipos de la clase B son equipos aptos para su uso en lugares situados en entornos residenciales y en establecimientos conectados directamente a una red de suministro eléctrico de baja tensión que abastece a edificios utilizados con fines domésticos.

18. Este aparato no está pensado para que lo utilicen personas (incluidos niños) con capacidades físicas, sensoriales o mentales reducidas, o con falta de experiencia y conocimiento, a menos que hayan sido supervisados o formados sobre el uso del dispositivo por parte de una persona responsable de su seguridad.
19. Es necesario vigilar a los niños para asegurarse de que no jueguen con el electrodoméstico.
20. El horno microondas deberá instalarse de manera que quede patente, sin elementos a su alrededor.
21. ADVERTENCIA: No instale el horno sobre hornillas u otros aparatos que generen calor. De hacerlo, podría sufrir daños y la garantía quedaría anulada.
22. El horno microondas no deberá instalarse en un armario.
23. Al utilizar el aparato, la puerta y otras superficies podrían calentarse bastante.
24. Advertencia: Las partes accesibles podrían calentarse bastante al utilizar el aparato. Evite que los/as niños/as pequeños/as se acerquen a él.
25. Los electrodomésticos, al utilizarlos, suelen calentarse bastante. Tanto en hornillas como en hornos, hay que tener cuidado de no tocar los elementos que generan calor.
26. Al utilizar el aparato, las superficies accesibles podrían alcanzar temperaturas bastante elevadas.
27. El aparato no deben utilizarlo niños/as ni personas con discapacidades físicas, sensoriales o mentales, ni tampoco aquellas que no tengan la debida experiencia y conocimientos, a menos que hayan recibido las instrucciones necesarias para ello o cuenten con la supervisión de otras personas.
28. ADVERTENCIA: Si la puerta o las juntas de esta sufren daños, no se deberá utilizar el horno hasta que la avería haya sido reparada por una persona competente.
29. Las instrucciones indican que el electrodoméstico no está diseñado para funcionar con un temporizador externo ni con ningún sistema de control remoto separado.
30. El horno microondas es para uso estrictamente doméstico, no comercial.
31. No desmonte el tope distanciador de la parte trasera o de los laterales; es esencial, ya que sirve para garantizar una distancia mínima respecto a la pared para que circule el aire.
32. Para evitar daños, fije el plato giratorio antes de mover el aparato.
33. Precaución: Las tareas de reparación o mantenimiento del aparato debe llevarlas siempre a cabo un especialista, ya que es necesario retirar la cubierta que garantiza la protección contra la radiación de microondas, lo cual supone un riesgo. Lo mismo cabe decir para las actuaciones sobre el cable de alimentación o las luces. En estos casos, es obligatorio enviar el aparato a nuestro de centro de servicio técnico.

34. El horno microondas está diseñado únicamente para descongelar y cocinar comida.
35. Al sacar la comida ya calentada, utilice siempre manoplas.
36. ¡Precaución! Es posible que, al abrir tapas o retirar papel de aluminio, salga vapor.
37. Pueden utilizarlo niños a partir de 8 años de edad y personas con facultades físicas, sensoriales o mentales reducidas, o con falta de experiencia y conocimiento, si lo emplean bajo supervisión o se les instruye acerca de la seguridad del producto y entienden los riesgos que comporta. Los niños no deben jugar con el electrodoméstico. Las tareas de limpieza y mantenimiento no deben llevarlas a cabo niños/as, a menos que tengan al menos 8 años y cuenten con la supervisión de una persona adulta.
38. Si observa algún tipo de humo, apague o desenchufe el aparato y deje cerrada la puerta para contener cualquier posible llama.

GUÍA DE INSTALACIÓN

1. Asegúrese de quitar todos los materiales de empaquetado del interior de la puerta.
2. **ADVERTENCIA:** Compruebe si el horno presenta algún tipo de daños. Por ejemplo, si la puerta está doblada o mal alineada, si las juntas de las puertas y de otras superficies están dañadas, si las bisagras y enclavamientos de la puerta están sueltos o rotos y si hay golpes o abolladuras en la puerta o en el interior del horno. En caso de detectarse algún daño, evite utilizar el horno y póngase en contacto con un técnico cualificado.
3. Este horno microondas debe colocarse sobre una superficie plana y estable y que aguante su peso y el de las comidas más pesadas que se prevea cocinar en el horno.
4. Evite colocar el horno en lugares donde se genere calor o altos niveles de humedad, así como cerca de materiales combustibles.
5. Para funcionar correctamente, es necesario que haya suficiente ventilación alrededor del horno. Deje un mínimo de 20 cm de espacio libre encima del horno y 5 cm a ambos lados. La placa trasera del horno microondas debe colocarse cerca de la pared. Evite cubrir o bloquear las aberturas del aparato. No quite las patas.
6. Antes de utilizar el horno, asegúrese de haber instalado en su lugar correcto el plato de vidrio, el soporte de rodillos y el eje.
7. Compruebe que el cable de alimentación no presente daños y que no quede colocado bajo el horno ni encima de ninguna superficie caliente o cortante.
8. La toma de corriente debe ser fácilmente accesible para poder desconectar rápidamente el apartado en caso de emergencia.
9. No utilice el horno en espacios al aire libre.

INSTRUCCIONES DE CONEXIÓN A TIERRA

Este aparato tiene que conectarse a tierra. El cable de alimentación cuenta con cable de tierra y conector con tierra. Debe enchufarse a una toma de pared debidamente instalada y puesta a tierra. En caso de cortocircuito, la conexión a tierra reduce el riesgo de descarga eléctrica, ya que se crea una vía de escape para la corriente eléctrica. Se recomienda utilizar un circuito aparte solo para el horno. El uso de circuitos de alta tensión es peligroso y puede provocar incendios y otros accidentes, incluidos daños en el horno.

ADVERTENCIA: Un uso incorrecto del enchufe con toma de tierra puede dar lugar a un riesgo de descarga eléctrica.

Nota:

1. Si tiene alguna duda sobre las instrucciones de conexión eléctrica o a tierra, consulte con un electricista o técnico cualificado.
2. El fabricante y el distribuidor al que se adquiera el producto declinan cualquier posible responsabilidad derivada de daños sufridos por el horno o daños personales derivados de no observar las instrucciones de conexión eléctrica.

Los hilos del cable llevan colores que corresponden a lo siguiente:

Verde y amarillo = TIERRA

Azul = NEUTRAL

Marrón = CORRIENTE

INTERFERENCIAS DE RADIO

El horno microondas puede interferir en los equipos de radio, TV y otros similares. Tales interferencias, en caso de producirse, pueden limitarse o eliminarse adoptando las siguientes medidas:

1. Limpiar la puerta y las juntas del horno.
2. Reorientar la antena receptora de radio o televisión.
3. Cambiar de sitio el horno microondas con respecto al receptor.
4. Alejar el horno microondas del receptor.
5. Enchufar el horno microondas a una toma diferente de manera que el horno y el receptor estén en circuitos diferentes.

ANTES DE LLAMAR AL SERVICIO

Antes de llamar el servicio, por favor, compruebe cada elemento de abajo:

- Compruebe que el horno esté bien conectado. De lo contrario, quite el enchufe de la toma de corriente, espere 10 segundos y vuelva a enchufarlo con seguridad.
- Compruebe si ha saltado algún fusible, térmico o disyuntor del circuito eléctrico. Si dichos elementos funcionan correctamente, compruebe si esa toma está en buen estado conectando otro aparato.
- Compruebe que el panel de control está programado correctamente y que el temporizador está ajustado.
- Compruebe que la puerta esté bien cerrada, activando el sistema de bloqueo de la puerta. Si la puerta no está bien cerrada, la energía de las microondas no fluirá hacia el interior.

SI EL PROBLEMA NO SE SOLUCIONA CON LAS ACCIONES ANTERIORES, PÓNGASE EN CONTACTO CON UN TÉCNICO CUALIFICADO. NO INTENTE AJUSTAR NI REPARAR EL HORNO POR SU CUENTA.

TÉCNICAS DE COCCIÓN

1. Prepare la comida de manera organizada. Ponga los alimentos de mayor grosor en torno a los bordes del plato.
2. Observe con atención el tiempo de cocción. Cocine la comida durante el menor tiempo posible; así podrá añadir más tiempo si hace falta. La comida, si se cocina demasiado, puede echar humo o incluso entrar en combustión.
3. Cubra los alimentos cuando vaya a cocinarlos. Así evitará posibles salpicaduras y todo se cocinará de manera más uniforme.
4. Cuando vaya a cocinar, por ejemplo, pollo o hamburguesas con microondas, deles la vuelta una vez para acelerar la cocción. Si va a cocinar algo de gran tamaño (por ejemplo, una pieza de carne para asado), deberá darle la vuelta al menos una vez.
5. Si va a cocinar alimentos como albóndigas, a mitad de la cocción muévelo todo de abajo arriba y del centro del plato hacia el exterior.

GUÍA DE UTENSILIOS DE COCINA

1. La energía de microondas no puede penetrar en el metal. Utilice siempre utensilios aptos para hornos microondas. Los recipientes metálicos para comida y bebida no

son aptos para cocinar en microondas. Esta norma no será aplicable si el fabricante especifica que son aptos para microondas recipientes metálicos de determinado tamaño y forma.

2. La energía de microondas no puede penetrar en el metal, por lo que no se deben utilizar utensilios ni platos metálicos, ni que tengan decoraciones metálicas.
3. Al cocinar con microondas, evite utilizar productos fabricados con papel reciclado, ya que pueden contener pequeños fragmentos metálicos que, a su vez, podrían generar chispas o provocar incendios.
4. Se recomienda utilizar platos redondos u ovalados antes que cuadrados o con puntas, ya que la comida que quede en las esquinas tiende a cocinarse demasiado.
5. Pueden aplicarse tiras de papel de aluminio para evitar que las áreas expuestas se cocinen en exceso. Eso sí, deberá utilizar el mínimo posible y tener mucho cuidado de dejar un espacio de 2,54 cm entre el papel de aluminio y las paredes del interior del horno.

A continuación figura una guía de carácter general que le ayudará a utilizar los utensilios correctos.

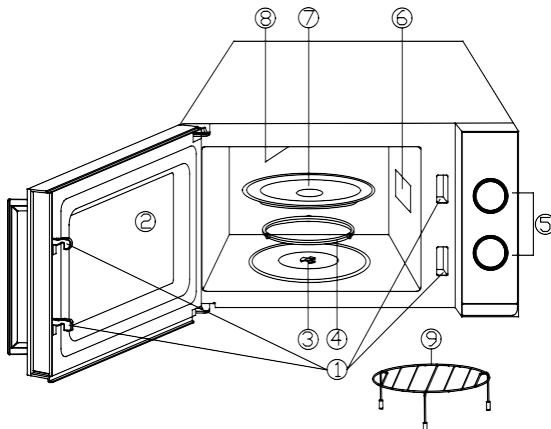
| Utensilio de cocina | Microondas | Grill | Combinado |
|---|------------|-------|-----------|
| Vidrio refractario | Sí | Sí | Sí |
| Vidrio no refractario | No | No | No |
| Cerámica refractaria | Sí | Sí | Sí |
| Plato de plástico apto para microondas | Sí | No | No |
| Papel de cocina | Sí | No | No |
| Bandeja metálica | No | Sí | No |
| Rejilla metálica | No | Sí | No |
| Papel de aluminio o recipientes de dicho material | No | Sí | No |

ESPECIFICACIONES

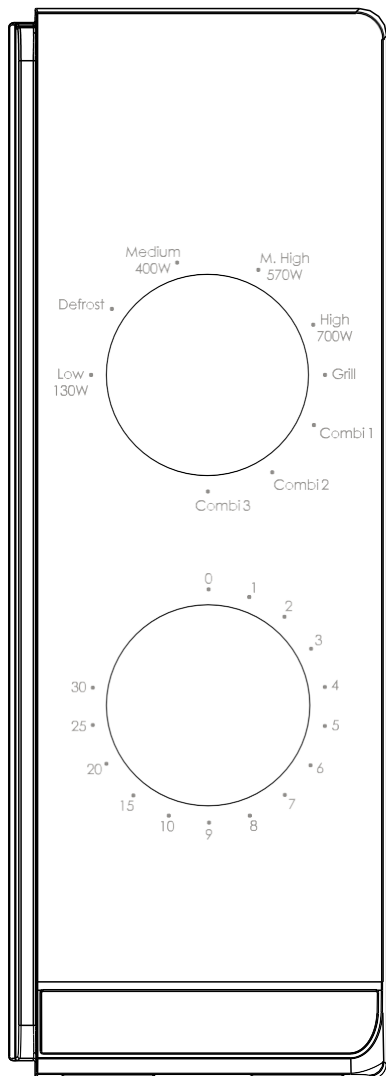
| | |
|---------------------------------------|---|
| Consumo de energía: | 230-240V~/50Hz 1200 W(Microondas); 900W(Grill) |
| Salida | 700 W |
| Frecuencia durante el funcionamiento: | 2450 MHz |
| Dimensiones exteriores: | 262 mm (Al) × 452 mm (An) × 357 mm (Pr) |
| Dimensiones del interior del horno: | 198 mm(H)x315 mm(W)x297 mm(D) |
| Capacidad del horno: | Compacta, 20 litros |
| Peso neto: | Aproximadamente 11 kg |

ESQUEMA DEL PRODUCTO

1. Sistema de bloqueo de seguridad de la puerta
2. Ventana del horno
3. Eje
4. Anillo de rodillo
5. Panel de control
6. guía-ondas
- (No retire la placa de mica que cubre la guía de ondas)
7. Plato de vidrio
8. Calentador de grill
9. Rejilla metálica



PANEL DE CONTROL



El panel de control consta de dos operadores de función. Uno es un mando de tiempo y el otro de potencia.

Selector de potencia/acción

Con este mando se elige el nivel de potencia de cocción. Es el primer paso para iniciar una sesión de cocina.

Pomo del temporizador

Ofrece ajustes visuales de temporización con un simple giro del pulgar para seleccionar el tiempo de cocción deseado hasta 30 minutos por sesión de cocción.

Cocinar en el microondas

Para cocinar en el microondas puro, hay cinco niveles de potencia entre los que se puede elegir uno como el más adecuado para hacer el trabajo en cuestión.

El nivel de potencia aumenta al girar el mando en el sentido de las agujas del reloj. Los niveles de potencia se pueden clasificar como los siguientes:

| Salida de alimentación | Descripción |
|------------------------|-------------|
| 700 W | ENTREGAS |
| 570 W | M.HIGH |
| 400 W | Med |
| | DESCONGELAR |
| 130 W | BAJO |

COCCIÓN CON GRILL

Al girar el mando en el sentido de las agujas del reloj, pasando por el nivel más alto de potencia del microondas, el horno pasa a la función de cocción con grill, especialmente útil para rodajas finas de carne, filetes, chuletas, kebabs, salchichas o trozos de pollo. También es adecuado para cocinar sándwiches calientes y platos gratinados.

PROGRAMA COMBINADO

Por su nombre, esta operación de cocción combina la potencia de las microondas con la del grill. El funcionamiento se clasifica en tres niveles con diferentes configuraciones de potencia combinada, como se puede ver en la siguiente tabla. Son especialmente adecuados para determinados alimentos y operaciones culinarias. Así como para mantener el tan deseado crujiente de ciertos alimentos.

La siguiente tabla muestra 3 ajustes de potencia diferentes para los programas combinados.

| Programa | Tiempo de cocción en el microondas | Tiempo de cocción a la parrilla | adecuada para |
|----------|------------------------------------|---------------------------------|------------------------------------|
| COMBO 1 | 30% | 70% | Pescado, patatas y cereales |
| COMBO 2 | 49% | 51% | Pudín, tortillas, patatas al horno |
| Comb3 | 67% | 33% | Pollo |

INSTRUCCIONES DE USO

Para iniciar una sesión de cocina,

1. Introduzca los alimentos en el horno y cierre la puerta.
2. Gire el selector de potencia para seleccionar un nivel de potencia.
3. Gire el botón del temporizador para ajustar el tiempo de cocción.

NOTA: En cuanto el temporizador se pone en marcha, el horno comienza a cocinar. Cuando seleccione el tiempo para menos de 2 minutos, gire el temporizador más allá de los 2 minutos y luego vuelva al tiempo correcto.

PRECAUCIÓN: Vuelva a colocar el temporizador en la posición cero si retira los alimentos del horno antes de que se complete el tiempo de cocción establecido o cuando el horno no esté en uso. Para detener el horno durante el proceso de cocción, pulse el botón de apertura de la puerta o abra la puerta por el asa.

LIMPIEZA Y MANTENIMIENTO

1. Antes de limpiar el horno, apáguelo y desenchufe el conector de la toma de electricidad.
2. El interior del horno deberá estar siempre limpio. Si se salpican alimentos o se derraman líquidos y se adhieren a las paredes del horno, límpielos con un paño húmedo. Si el horno está muy sucio, puede utilizar un detergente no agresivo. Evite utilizar esprays y otros limpiadores agresivos, ya que podrían dejar manchas o afectar a la integridad de la superficie de la puerta.
3. Las superficies exteriores deben limpiarse con un paño humedecido. Para evitar daños en los mecanismos interiores del horno, hay que evitar que entre agua en las aberturas de ventilación.
4. Limpie frecuentemente con un paño humedecido las posibles salpicaduras que queden sobre la puerta y la ventana, las juntas de la puerta y las piezas adyacentes. No utilice limpiadores abrasivos.
5. No utilice limpiadores a vapor.
6. Evite que se moje el panel de control. Limpie el electrodoméstico con un paño suave y levemente humedecido. Al limpiar el panel de control, deje abierta la puerta del horno para evitar que este pueda ponerse en marcha accidentalmente.
7. En caso de acumularse vapor dentro o fuera de la puerta del horno, límpielo con un paño suave. Esta situación puede presentarse al utilizar el horno microondas en situaciones de alta humedad ambiental. Es totalmente normal.
8. En ocasiones, es necesario sacar el plato de vidrio para limpiarlo. Limpie el plato de vidrio en agua templada con jabón, o en el lavavajillas.
9. El anillo de rodillo y el fondo del horno deben limpiarse con regularidad para evitar ruidos excesivos. Basta con pasar por la superficie del suelo del horno un paño humedecido en un detergente no abrasivo. El anillo de rodillo puede lavarse en agua templada con jabón, o en el lavavajillas. Al sacar el anillo de rodillo para limpiarlo, asegúrese después de colocarlo siempre en la posición correcta.
10. Para evitar olores en el horno, recomendamos poner un vaso de agua, el jugo y la piel de un limón en un recipiente hondo apto para microondas; meter dicho recipiente en el microondas y dejarlo durante 5 minutos. Limpie bien y seque con un paño seco.
11. Si fuera necesario cambiar la luz del horno, consulte con el distribuidor o un técnico cualificado.
12. El horno debe limpiarse con regularidad, con especial atención a los posibles restos de alimentos. Si el horno no se mantiene en buenas condiciones de limpieza, podría deteriorarse la superficie, lo cual, a su vez, podría afectar negativamente a la vida útil del electrodoméstico e incluso crear situaciones de riesgo.
13. No deseche este electrodoméstico con el resto de los residuos domésticos. Debe llevarlo al centro de reciclaje más cercano del municipio.
14. La primera vez que se utilice el horno microondas con la función *grill*, es posible que se note un poco de humo y cierto olor. Se trata de una incidencia normal, ya que el horno está hecho de una placa de acero con aceite lubricante; un horno nuevo generará cierto olor al quemar el aceite lubricante. Este problema desaparecerá después de un tiempo de utilizar el electrodoméstico.



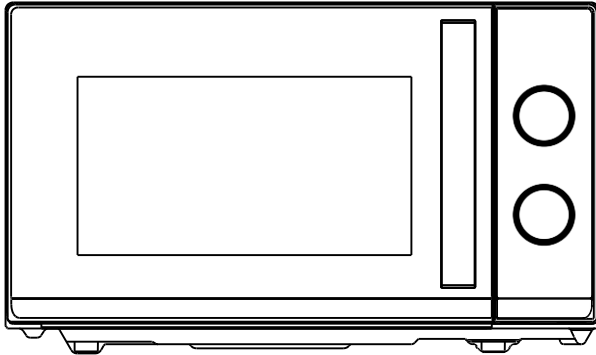
Este electrodoméstico está certificado conforme a la Directiva Europea 2012/19/UE sobre residuos de aparatos eléctricos y electrónicos (RAEE) y regulaciones de 2013. Los dispositivos RAEE contienen sustancias contaminantes (que pueden tener consecuencias negativas para el medio ambiente) y componentes básicos (que pueden reutilizarse). Es importante que dichos dispositivos estén sujetos a tratamientos

específicos para eliminar y desechar correctamente todos los contaminantes y recuperar todos los materiales. Cada individuo puede desempeñar un papel importante a la hora de garantizar que los dispositivos RAEE no se conviertan en un problema medioambiental; para ello, es fundamental seguir algunas reglas básicas:

- los dispositivos RAEE no deben tratarse como residuos domésticos;
- los dispositivos RAEE deben llevarse a los puntos de recogida específicos gestionados por el ayuntamiento o por una empresa registrada.

En muchos países, puede haber disponible un servicio de recogida a domicilio de los RAEE de gran tamaño. Cuando se compra un nuevo aparato, el viejo puede entregarse al vendedor, que debe adquirirlo gratuitamente siempre que el aparato sea de tipo equivalente y tenga las mismas funciones que el que se ha adquirido.

Mode d'emploi du micro-ondes



Modèle : CMG20TNMB

Veuillez lire attentivement ces instructions avant d'installer et d'utiliser le four.

SOMMAIRE

| | |
|--|-----------|
| LES PRÉCAUTIONS À PRENDRE POUR ÉVITER UN EXCÈS D'EXPOSITION AUX MICRO-ONDES | 3 |
| CONSIGNES DE SÉCURITÉ IMPORTANTES | 3 |
| GUIDE D'INSTALLATION..... | 6 |
| INSTRUCTIONS DE MISE À LA TERRE | 7 |
| INTERFERENCES RADIO | 7 |
| AVANT D'APPELER LE SERVICE APRES-VENTE | 8 |
| TECHNIQUES DE CUISSON | 8 |
| GUIDE DES USTENSILES DE CUISINE..... | 8 |
| CARACTÉRISTIQUES..... | 9 |
| DIAGRAMME DU PRODUIT..... | 10 |
| PANNEAU DE CONTRÔLE | 11 |
| SELECTEUR DE PUISSANCE/ACTION | 11 |
| BOUTON DE MINUTERIE..... | 11 |
| CUISSON AUX MICRO-ONDES..... | 11 |
| CUISINE SUR GRILL..... | 11 |
| CUISSON COMBINÉE..... | 12 |
| INSTRUCTIONS D'EXPLOITATION..... | 12 |
| NETTOYAGE ET ENTRETIEN | 13 |

LES PRÉCAUTIONS À PRENDRE POUR ÉVITER UN EXCÈS D'EXPOSITION AUX MICRO-ONDES

1. N'essayez pas de faire fonctionner le four avec la porte ouverte, car le fonctionnement avec la porte ouverte peut entraîner une exposition dangereuse aux micro-ondes. Il est important de ne pas forcer ou altérer les dispositifs de verrouillage de sécurité.
2. Ne placez aucun objet entre la face avant du four et la porte et ne laissez pas la saleté ou les résidus de nettoyage s'accumuler sur les surfaces d'étanchéité.
3. Ne faites pas fonctionner le four s'il est endommagé. Il est très important que la porte du four ferme correctement et qu'il n'y ait pas de dommages à la
 - a) Porte (y compris toute partie pliée),
 - b) aux charnières et aux loquets (cassés ou desserrés),
 - c) aux joints d'étanchéité de la porte et aux surfaces d'étanchéité.
4. Le four ne doit être réglé ou réparé que par du personnel d'entretien qualifié.

CONSIGNES DE SÉCURITÉ IMPORTANTES

Lors de l'utilisation d'appareils électriques, des précautions de base doivent être prises, notamment les suivantes :

AVERTISSEMENT : Afin de réduire le risque de brûlures, de choc électrique, d'incendie, de blessures ou de surexposition à l'énergie des micro-ondes :

1. Lisez toutes les instructions avant d'utiliser l'appareil et conservez-les pour pouvoir les consulter par la suite.
2. N'utilisez cet appareil que pour l'usage auquel il est destiné, tel que décrit dans ce manuel. N'utilisez pas de produits chimiques ou de vapeurs corrosives dans cet appareil. Ce type de four est spécialement conçu pour chauffer, cuire ou sécher des aliments. Il n'est pas conçu pour une utilisation industrielle ou de laboratoire.
3. Ne faites pas fonctionner le four lorsqu'il est vide.
4. N'utilisez pas cet appareil si son cordon ou sa fiche est endommagé, s'il ne fonctionne pas correctement ou s'il a été endommagé ou fait tomber. Si le câble d'alimentation est endommagé, il doit être remplacé par le fabricant, son agent d'entretien ou des personnes possédant le même type de qualification, afin d'éviter tout danger.

5. **AVERTISSEMENT : ATTENTION !** --Ne permettez aux enfants d'utiliser le four sans surveillance que lorsque des instructions adéquates leur ont été dispensées de sorte que ces enfants soient capables d'utiliser le four de manière sûre et qu'ils aient compris les dangers impliqués par une utilisation non appropriée.
6. **Attention :** Lorsque l'appareil fonctionne en mode combiné, les enfants ne doivent utiliser le four que sous la surveillance d'un adulte en raison des températures générées.
7. Pour réduire le risque d'incendie dans la cavité du four :
 - a) Lorsque vous faites chauffer des aliments dans un récipient en plastique ou en papier, gardez un œil sur le four en raison du risque d'inflammation ;
 - b) Retirez les attaches métalliques des sacs en papier ou en plastique avant de placer ces derniers dans le four.
 - c) Si vous remarquez de la fumée, éteignez ou débranchez l'appareil et garder la porte fermée afin d'étouffer toute flamme.
 - d) N'utilisez pas la cavité à des fins de stockage. Ne laissez pas de produits en papier, d'ustensiles de cuisine ou d'aliments dans la cavité lorsque le four n'est pas utilisé.
 - e) Le four à micro-ondes est destiné à chauffer des aliments et des boissons. Le séchage des vêtements et le réchauffement des coussins chauffants, pantoufles, éponges, tissus humides et autres peuvent entraîner un risque de blessure, d'ignition ou d'incendie.
8. **AVERTISSEMENT :** Les liquides ou autres aliments ne doivent pas être chauffés dans des récipients fermés, car ils risquent d'exploser.
9. Le réchauffement au micro-ondes de boissons peut entraîner une forte ébullition, soyez donc prudent au moment de la manipulation du récipient.
10. Ne faites pas frire d'aliments dans le four. L'huile chaude peut endommager les pièces du four et les ustensiles de cuisine, ou même provoquer des brûlures sur la peau.
11. Les œufs dans leur coquille et les œufs durs entiers ne doivent pas être chauffés dans le four à micro-ondes, car ils risqueraient d'exploser, même après que le micro-ondes se soit éteint.
12. Percez les aliments à peau épaisse comme les pommes de terre, les courges entières, les pommes et les châtaignes avant de les faire cuire.
13. Le contenu des biberons et des pots pour bébé doit être remué ou agité et la température de l'aliment doit être vérifiée avant de servir, afin d'éviter toute brûlure.
14. Les ustensiles de cuisson peuvent devenir très chauds à cause du transfert de chaleur des aliments chauffés. Des gants de cuisine peuvent être nécessaires pour manipuler l'ustensile.
15. Les ustensiles doivent être vérifiés pour contrôler qu'ils sont adaptés à l'utilisation au four à micro-ondes.
16. **AVERTISSEMENT : AVERTISSEMENT !** Il est dangereux pour toute personne autre qu'une personne formée d'effectuer des interventions de service ou de réparation qui impliquent le retrait du couvercle de protection contre l'exposition aux micro-ondes.
17. Ce micro-ondes est conforme à la norme EN 55011/CISPR 11, dans laquelle il appartient à la classe B du groupe 2. Équipements du groupe 2 : le groupe 2

contient tous les équipements RF ISM dans lesquels de l'énergie radiofréquence dans la gamme de fréquences de 9 kHz à 400 GHz est intentionnellement générée et utilisée ou seulement utilisée localement, sous forme de rayonnement électromagnétique, de couplage inductif et/ou capacitif, pour le traitement du matériel, à des fins d'inspection/analyse, ou pour le transfert d'énergie électromagnétique. Les équipements de classe B sont des équipements adaptés à une utilisation dans des emplacements situés dans des environnements résidentiels et dans des établissements directement connectés à un réseau d'alimentation basse tension qui alimente des bâtiments utilisés à des fins domestiques.

18. L'utilisation de cet appareil est interdite à toute personne (y compris les enfants) aux capacités physiques et mentales réduites, ou dépourvues d'expérience dans l'utilisation d'appareillages électriques, à moins qu'elles ne soient surveillées ou instruites par des personnes adultes et responsables pour leur sécurité.
19. Surveillez les enfants afin qu'ils ne jouent pas avec l'appareil.
20. Le four à micro-ondes n'est utilisé que de manière autonome.
21. **AVERTISSEMENT** : N'installez pas le four sur une table de cuisson ou tout autre appareil produisant de la chaleur. Si elle est installée, elle pourrait être endommagée et la garantie serait annulée.
22. Le four à micro-ondes ne doit pas être installé dans une armoire.
23. La porte ou la surface externe peut devenir très chaude lorsque l'appareil fonctionne.
24. Attention : Des parties accessibles peuvent devenir chaudes pendant l'utilisation. Les jeunes enfants doivent être tenus à l'écart.
25. Pendant l'utilisation, les appareils deviennent chauds. Il faut veiller à éviter de toucher les éléments chauffants à l'intérieur du four, pour les cuisinières et les fours .
26. La température des surfaces accessibles peut monter très haut lorsque l'appareil fonctionne.
27. L'appareil ne doit pas être utilisé par des enfants ou des personnes ayant des capacités physiques, sensorielles ou mentales réduites, ou manquant d'expérience et de connaissances, sauf s'ils sont surveillés ou qu'ils ont été instruits sur le fonctionnement de l'appareil.
28. **AVERTISSEMENT** : Si la porte ou les joints de la porte sont endommagés, le four ne doit pas être utilisé avant d'avoir été réparé par une personne qualifiée.
29. Les instructions doivent indiquer que les appareils ne sont pas destinés à être utilisés au moyen d'une minuterie externe ou d'un système séparé de commande à distance.
30. Le four à micro-ondes est réservé à un usage domestique et non à un usage commercial.
31. Ne jamais retirer le calage d'écartement du mur à l'arrière ou sur les côtés, car il assure un minimum de circulation de l'air.
32. Veuillez sécuriser le plateau tournant avant de déplacer l'appareil pour éviter d'abîmer l'appareil .
33. Attention : **ATTENTION** !--Il est dangereux de faire réparer ou d'entretenir l'appareil par une personne non qualifiée ou non experte, car dans ces

circonstances, il faut retirer le couvercle qui assure la protection contre les radiations micro-ondes. Cela s'applique également au changement du cordon d'alimentation ou de l'éclairage. Dans ce cas, envoyez l'appareil à notre centre d'assistance.

34. Le four à micro-ondes est uniquement destiné à la décongélation, à la cuisson et à la cuisson à la vapeur d'aliments.
35. Utilisez des gants de cuisine si vous devez retirer des aliments chauds.
36. Attention ! De la vapeur s'échappe lorsque vous retirez le couvercle ou le film du récipient.
37. Cet appareil peut être utilisé par des enfants âgés de 8 ans et plus, par des personnes dont les capacités physiques, sensorielles ou mentales sont réduites ou par des personnes dénuées d'expérience et de connaissances, mais qui ont été informées sur la manière d'utiliser l'appareil en toute sécurité, si elles comprennent les risques impliqués. Les enfants ne doivent pas jouer avec l'appareil. Le nettoyage et l'entretien par l'utilisateur ne doivent pas être effectués par des enfants, sauf s'ils sont âgés de 8 ans et plus et qu'ils sont surveillés.
38. Si de la fumée est émise, éteignez ou débranchez l'appareil et gardez la porte fermée afin d'étouffer les flammes.

GUIDE D'INSTALLATION

1. Veillez à ce que tous les matériaux d'emballage soient extraits de l'intérieur de la porte.
2. **AVERTISSEMENT : AVERTISSEMENT !**--Vérifiez que le four n'est pas endommagé, par exemple que la porte n'est pas mal alignée ou déformée, que les joints de porte et la surface d'étanchéité ne soient pas endommagés, que les charnières et les loquets de la porte ne soient pas cassés ou desserrés et que l'intérieur de la cavité ou la porte ne soient pas bosselés. En cas de dommage, ne faites pas fonctionner le four et contactez le personnel qualifié du service après-vente.
3. Ce four à micro-ondes doit être installé sur une surface plane et stable qui supporte son poids et les aliments les plus lourds susceptibles d'être cuits à l'intérieur.
4. N'installez pas le four dans un emplacement où de la chaleur et de l'humidité sont susceptibles d'être générées, ni près de matériaux combustibles.
5. Pour un fonctionnement correct, le four doit avoir un débit d'air suffisant. Prévoyez au minimum 20 cm d'espace libre au-dessus de la surface supérieure du four et 5 cm des deux côtés. La plaque arrière du four à micro-ondes doit être placée près du mur. Ne couvrez ni ne bloquez aucune ouverture de l'appareil. Ne démontez pas les pieds de l'appareil.
6. Ne faites pas fonctionner le four si le plateau en verre, le support tournant et l'arbre ne sont pas en bonne position.
7. Assurez-vous que le cordon d'alimentation n'est pas endommagé et qu'il ne passe pas sous le four ou sur une surface chaude ou coupante.
8. La prise doit être facilement accessible afin de pouvoir débrancher l'appareil en cas d'urgence.
9. N'utilisez pas le four à l'extérieur.

INSTRUCTIONS DE MISE À LA TERRE

Cet appareil doit être mis à la terre. Ce four est équipé d'un cordon ayant un fil de terre avec une prise de terre. Il doit être branché dans une prise murale correctement installée et avec mise à la terre. En cas de court-circuit électrique, la mise à la terre réduit le risque de choc électrique en fournissant un fil de fuite pour le courant électrique. Il est recommandé de prévoir un circuit séparé ne desservant que le four. L'utilisation d'un courant de haute tension est dangereuse et peut entraîner un incendie ou un autre accident provoquant des dommages au four.

AVERTISSEMENT ! Une utilisation incorrecte de la prise de terre peut entraîner un risque de choc électrique.

Remarque :

1. Si vous avez des questions concernant la mise à la terre ou les instructions électriques, consultez un électricien qualifié ou une personne du service d'assistance.
2. Ni le fabricant ni le revendeur ne peuvent être tenus pour responsables des dommages causés au four ou des blessures corporelles résultant du non-respect des procédures de raccordement électrique.

Les fils de ce câble principal sont colorés selon le code suivant : Vert et jaune = TERRE

Bleu = NEUTRE

Marron = SOUS TENSION

INTERFERENCES RADIO

Le fonctionnement du four à micro-ondes peut provoquer des interférences avec votre radio, votre télévision ou tout autre équipement semblable. Lorsqu'il y a interférence, elle peut être réduite ou éliminée en prenant les mesures suivantes :

1. Nettoyez la porte et la surface d'étanchéité du four.
2. Réorientez l'antenne de réception de la radio ou de la télévision.
3. Déplacez le four à micro-ondes par rapport au récepteur.
4. Éloignez le four à micro-ondes du récepteur.
5. Branchez le four à micro-ondes dans une prise différente de sorte que le four à micro-ondes et le récepteur soient sur des circuits différents.

AVANT D'APPELER LE SERVICE APRES-VENTE

Avant de vous adresser au service d'assistance, veuillez vérifier les points suivants :

- Vérifiez que le four est bien branché. Si ce n'est pas le cas, débranchez la fiche de la prise, attendez 10 secondes, et rebranchez-la en toute sécurité.
- Vérifiez si un fusible ou le disjoncteur principal a sauté. S'ils semblent fonctionner correctement, testez la prise avec un autre appareil.
- Vérifiez que le panneau de commande est correctement programmé et que la minuterie est réglée.
- Vérifiez que la porte est bien fermée, après avoir engagé le système de verrouillage de la porte. Si la porte n'est pas correctement fermée, l'énergie des micro-ondes ne circulera pas à l'intérieur.

SI AUCUN DES ÉLÉMENTS CI-DESSUS NE PERMET DE CORRIGER LA SITUATION, ALORS CONTACTEZ UN TECHNICIEN QUALIFIÉ. N'ESSAYEZ PAS DE RÉGLER OU DE RÉPARER LE FOUR PAR VOUS-MÊME.

TECHNIQUES DE CUISSON

1. Disposez la nourriture avec soin. Placez les morceaux les plus épais vers l'extérieur du plat.
2. Regardez le temps de cuisson. Cuisinez pendant la durée la plus courte indiquée et prolongez si nécessaire. Les aliments excessivement cuits peuvent faire de la fumée ou s'enflammer.
3. Couvrez les aliments pendant la cuisson. Les couvercles empêchent les éclaboussures et aident les aliments à cuire uniformément.
4. Retournez les aliments une fois pendant la cuisson au micro-ondes, pour en accélérer la cuisson s'il s'agit d'aliments tels que du poulet ou des hamburgers. Les gros aliments comme les rôtis doivent être retournés au moins une fois .
5. Réorganisez les aliments, tels que les boulettes de viande, à mi-cuisson, en plaçant les morceaux du dessous dessus et vice versa et les morceaux du centre du plat vers l'extérieur et vice versa.

GUIDE DES USTENSILES DE CUISINE

1. Les micro-ondes ne peuvent pas contenir de métal. N'utilisez que des ustensiles adaptés aux fours à micro-ondes. Les récipients métalliques pour les aliments et les boissons ne sont pas autorisés pendant la cuisson au micro-ondes. Cette exigence

n'est pas applicable si le producteur précise la taille et la forme des récipients métalliques adaptés à la cuisson au micro-ondes.

2. Le micro-ondes ne peut pas pénétrer dans le métal, c'est pourquoi les ustensiles en métal ou les plats avec des garnitures métalliques ne doivent pas être utilisés.
3. N'utilisez pas de produits en papier recyclé pour la cuisson au micro-ondes, car ils peuvent contenir de petits fragments de métal qui peuvent provoquer des étincelles et/ou des incendies.
4. Les plats ronds ou ovales plutôt que carrés ou oblongs sont préférés, car dans les coins la nourriture a tendance à trop cuire.
5. Des bandes étroites de papier d'aluminium peuvent être utilisées pour éviter la cuisson excessive des morceaux les plus exposés. Mais attention, n'en utilisez pas trop et gardez une distance de 2,5 cm entre la feuille et la paroi de la cavité.

La liste ci-dessous est un guide général pour vous aider à choisir les bons ustensiles.

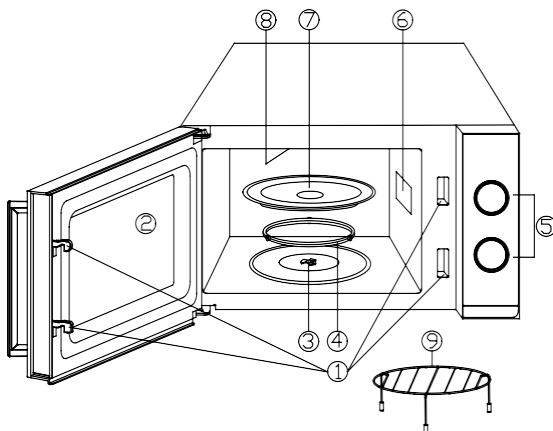
| Supports de cuisson | Micro-ondes | Grill | Combinaison |
|-------------------------------------|-------------|-------|-------------|
| Verre résistant à la chaleur | Oui | Oui | Oui |
| Verre non résistant à la chaleur | Non | Non | Non |
| Céramiques résistantes à la chaleur | Oui | Oui | Oui |
| Plat en plastique pour micro-ondes | Oui | Non | Non |
| Papier de cuisine | Oui | Non | Non |
| Plateau en métal | Non | Oui | Non |
| Étagère en métal | Non | Oui | Non |
| Feuilles et récipients en aluminium | Non | Oui | Non |

CARACTÉRISTIQUES

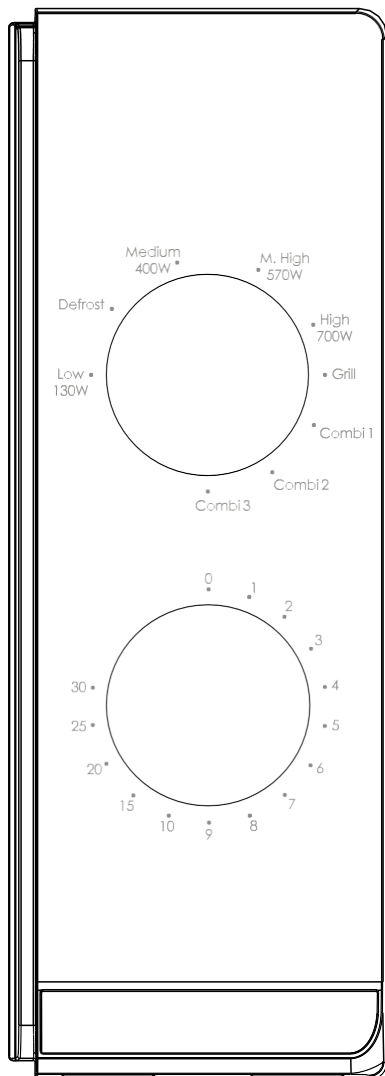
| | |
|---------------------------------|--|
| Consommation d'énergie | 230-240 V/50 Hz 1200 W (micro-ondes) ; 900 W (gril) |
| Rendement | 700 W |
| Fréquence de fonctionnement | 2450MHz |
| Dimensions externes | 262mm(H)×452mm(W)×357mm(D) |
| Dimensions de la cavité du four | 198mm(H)×315mm(W)×297mm(D) |
| Capacité du four | Compact, 20 litres |
| Poids net | 11 kg env. |

DIAGRAMME DU PRODUIT

1. Système de verrouillage de sécurité de la porte
2. Fenêtre du four
3. Arbre
4. Anneau tournant
5. Panneau de commande
6. guide à ondes
(Veuillez ne pas retirer la plaque de mica qui recouvre le guide d'ondes)
7. Plateau en verre
8. Résistance du grill
9. Étagère en métal



PANNEAU DE CONTRÔLE



Le panneau de commande est composé de deux opérateurs de fonction. L'un est un bouton de temps, et l'autre un bouton de puissance.

Sélecteur de puissance/action

Ce bouton de commande permet de choisir un niveau de puissance de cuisson. C'est la première étape pour commencer une séance de cuisson.

Bouton de minuterie

Il suffit de tourner le pouce pour sélectionner le temps de cuisson souhaité, jusqu'à 30 minutes par session de cuisson.

Cuisson aux micro-ondes

Pour la cuisson pure au micro-ondes, il existe cinq niveaux de puissance parmi lesquels vous pouvez choisir celui qui convient le mieux à la tâche à accomplir.

Le niveau de puissance augmente lorsque le bouton est tourné dans le sens des aiguilles d'une montre. Les niveaux de puissance peuvent être classés comme suit :

| Puissance de sortie : | Description |
|-----------------------|---------------|
| 700 W | DÉLAI DE |
| 570 W | M.HIGH |
| 400 W | MED |
| | DECONGELATION |
| 130 W | BASSE |

Cuisine sur grill

Lorsque le bouton tourne dans le sens des aiguilles d'une montre en passant par le niveau de puissance le plus élevé des micro-ondes, le four passe à la fonction de cuisson au grill, particulièrement utile pour les fines tranches de viande, les steaks, les côtelettes, les brochettes, les saucisses ou les morceaux de poulet. Il convient également à la cuisson de sandwiches chauds et de plats gratinés.

cuisson combinée

De par son nom, cette opération de cuisson combine la puissance des micro-ondes avec celle de la cuisson au gril. L'opération est classée en trois niveaux avec des réglages de puissance de combinaison différents, comme vous pouvez le voir dans le tableau suivant. Ils sont particulièrement adaptés à certains aliments et à certaines opérations culinaires. Ainsi que pour conserver le croustillant tant recherché de certains aliments.

Le tableau suivant montre 3 réglages de puissance différents pour les programmes combinés.

| Programme | Temps de cuisson au micro-ondes | Temps de cuisson du gril | Convient pour |
|-----------|---------------------------------|--------------------------|---|
| Comb1 | 30 % | 70 % | Poisson, pommes de terre, céréales |
| Comb2 | 49 % | 51 % | Pudding, omelettes, pommes de terre au four |
| Comb3 | 67 % | 33 % | Volaille |

INSTRUCTIONS D'EXPLOITATION

Pour démarrer une session de cuisson,

1. Placez les aliments dans le four et fermez la porte.
2. Tournez le sélecteur de puissance pour sélectionner un niveau de puissance.
3. Tournez le bouton de la minuterie pour régler le temps de cuisson.

REMARQUE : Dès que la minuterie est tournée, le four commence à cuire. Lorsque vous sélectionnez une durée inférieure à 2 minutes, faites tourner la minuterie au-delà de 2 minutes, puis revenez à la durée correcte.

PRÉCAUTION : REMETTEZ TOUJOURS LA MINUTERIE À LA POSITION ZÉRO si les aliments sont retirés du four avant la fin du temps de cuisson réglé ou si le four n'est pas utilisé. Pour arrêter le four en cours de cuisson, appuyez sur le bouton d'ouverture de la porte ou ouvrez la porte par la poignée.

NETTOYAGE ET ENTRETIEN

1. Éteignez le four et retirez la fiche d'alimentation de la prise murale avant de le nettoyer.
2. Gardez l'intérieur du four propre. Lorsque des éclaboussures d'aliments ou des liquides renversés adhèrent aux parois du four, essuyez-les avec un chiffon humide. Utilisez un détergent doux si le four est très sale. Évitez d'utiliser des sprays et autres nettoyeurs agressifs, car ils risquent de tacher, de laisser des traces ou de ternir la surface de la porte.
3. Les surfaces extérieures doivent être nettoyées avec un chiffon humide. Pour éviter d'endommager les pièces de fonctionnement à l'intérieur du four, il ne faut pas laisser l'eau s'infiltrer dans les ouvertures de ventilation.
4. Essuyez fréquemment la porte et la fenêtre des deux côtés, les joints de la porte et les parties adjacentes avec un chiffon humide pour éliminer tout déversement ou éclaboussure. N'utilisez pas de nettoyeur abrasif.
5. Les nettoyeurs à vapeur ne doivent pas être utilisés.
6. Ne laissez pas le panneau de commande mouillé. Nettoyez-le avec un chiffon doux et humide. Lorsque vous nettoyez le panneau de commande, laissez la porte du four ouverte, pour éviter que le four ne s'allume accidentellement.
7. Si de la vapeur s'accumule à l'intérieur ou à l'extérieur de la porte du four, essuyez-la avec un chiffon doux. Cela peut se produire lorsque le four à micro-ondes est utilisé dans des conditions d'humidité élevée. Et c'est normal.
8. Il est parfois utile de retirer le plateau en verre pour le nettoyer. Lavez le plateau dans de l'eau chaude et savonneuse ou dans un lave-vaisselle.
9. L'anneau tournant et le bas de la cavité du four doivent être nettoyés régulièrement pour éviter tout bruit excessif. Il suffit d'essuyer la surface inférieure du four avec un détergent doux. L'anneau du rouleau peut être lavé à l'eau douce et savonneuse ou au lave-vaisselle. Lorsque vous retirez l'anneau de rouleau du plancher de la cavité pour le nettoyer, veillez à le replacer dans la bonne position.
10. Éliminez les odeurs de votre four en combinant une tasse d'eau avec le jus et la peau d'un citron dans un bol profond pouvant être mis au micro-ondes, puis mettez-le au micro-ondes pendant 5 minutes. Essuyez et séchez avec un chiffon doux.
11. Lorsqu'il s'avère nécessaire de remplacer le voyant du four, veuillez consulter un revendeur pour le faire remplacer.
12. Le four doit être nettoyé régulièrement et tout dépôt d'aliments doit être retiré. 14. Si le four n'est conservé propre, la surface peut se détériorer, ce qui peut nuire à la durée de vie de l'appareil et entraîner un danger.
13. Veuillez ne pas jeter cet appareil dans les ordures ménagères ; il doit être déposé dans un centre de tri spécialement prévu par votre municipalité.
14. Lorsque le four à micro-ondes avec fonction grill est utilisé pour la première fois, il peut produire une légère fumée et une légère odeur. Cela est normal, car le four est constitué d'une plaque en acier recouverte d'une huile lubrifiante, et que le four neuf produit de la fumée et une odeur générées par la combustion de cette huile lubrifiante. Ce phénomène disparaîtra au bout d'une période d'utilisation.



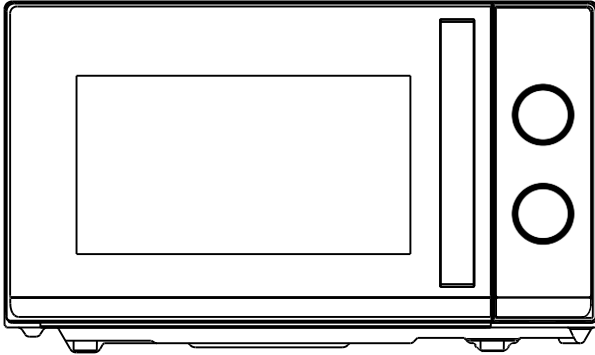
Cet appareil est conforme à la directive Européenne 2012/19/UE relative aux règlements 2013 sur les Déchets d'équipements électriques et électroniques (DEEE) (Waste Electrical and Electronic Equipment - WEEE). La catégorie DEEE recouvre à la fois les substances polluantes (pouvant avoir des retombées négatives sur l'environnement) et les composants de base (pouvant être réutilisés). Il est important que les

DEEE subissent des traitements spécifiques pour éliminer et jeter correctement les polluants et récupérer tous les matériaux. Chaque individu peut jouer un rôle important en veillant à ce que les produits DEEE ne deviennent pas un problème pour l'environnement. Pour cela, il est essentiel de suivre quelques règles de base :

- les DEEE ne doivent pas être traités comme des déchets ménagers ;
- les DEEE doivent être amenés à des zones de collecte spécifiques gérées par le conseil municipal ou une société dûment enregistrée.

Dans de nombreux pays, des décharges domestiques peuvent être disponibles pour de grands DEEE. Lorsque vous achetez un nouvel appareil, l'ancien peut être retourné au détaillant qui est en devoir de le récupérer sans frais, à titre exceptionnel, tant que l'équipement est de type équivalent et a les mêmes fonctions que l'équipement fourni.

Οδηγίες φούρνου μικροκυμάτων



Μοντέλο: CMG20TNMB

Διαβάστε προσεκτικά αυτές τις οδηγίες πριν από την εγκατάσταση
και τη λειτουργία του φούρνου.

ΠΕΡΙΕΧΟΜΕΝΑ

| | |
|--|-----------|
| ΠΡΟΦΥΛΑΞΕΙΣ ΓΙΑ ΤΗΝ ΑΠΟΦΥΓΗ ΠΙΘΑΝΗΣ ΕΚΘΕΣΗΣ ΣΕ ΥΠΕΡΒΟΛΙΚΗ ΕΝΕΡΓΕΙΑ ΜΙΚΡΟΚΥΜΑΤΩΝ | 3 |
| ΣΗΜΑΝΤΙΚΕΣ ΟΔΗΓΙΕΣ ΑΣΦΑΛΕΙΑΣ | 3 |
| ΟΔΗΓΟΣ ΕΓΚΑΤΑΣΤΑΣΗΣ | 6 |
| ΟΔΗΓΙΕΣ ΓΕΙΩΣΗΣ | 7 |
| ΡΑΔΙΟΗΛΕΚΤΡΙΚΕΣ ΠΑΡΕΜΒΟΛΕΣ | 7 |
| ΠΡΙΝ ΚΑΛ΄ΕΣΕΤΕ ΤΗΝ ΥΠΗΡΕΣΙΑ | 8 |
| ΤΕΧΝΙΚΕΣ ΜΑΓΕΙΡΕΜΑΤΟΣ | 8 |
| ΟΔΗΓΟΣ ΜΑΓΕΙΡΙΚΩΝ ΣΚΕΥΩΝ | 9 |
| ΤΕΧΝΙΚΑ ΧΑΡΑΚΤΗΡΙΣΤΙΚΑ | 10 |
| ΔΙΑΓΡΑΜΜΑ ΠΡΟΪΟΝΤΟΣ | 10 |
| ΠΙΝΑΚΑΣ ΕΛΕΓΧΟΥ | 11 |
| ΕΠΙΛΟΓΕΑΣ ΙΣΧΥΟΣ/ΔΡΑΣΗΣ | 11 |
| ΚΟΥΜΠΙ ΧΡΟΝΟΔΙΑΚΟΠΤΗ | 11 |
| ΜΑΓΕΙΡΕΜΑ ΣΕ ΜΙΚΡΟΚΥΜΑΤΑ | 11 |
| ΜΑΓΕΙΡΕΜΑ ΣΤΟ ΓΚΡΙΛ | 11 |
| ΣΥΝΔΥΑΣΤΙΚΟ ΜΑΓΕΙΡΕΜΑ | 12 |
| ΟΔΗΓΙΕΣ ΧΡΗΣΗΣ | 12 |
| ΚΑΘΑΡΙΣΜΟΣ ΚΑΙ ΦΡΟΝΤΙΔΑ | 13 |

ΠΡΟΦΥΛΑΞΕΙΣ ΓΙΑ ΤΗΝ ΑΠΟΦΥΓΗ ΠΙΘΑΝΗΣ ΕΚΘΕΣΗΣ ΣΕ ΥΠΕΡΒΟΛΙΚΗ ΕΝΕΡΓΕΙΑ ΜΙΚΡΟΚΥΜΑΤΩΝ

1. Μην επιχειρήσετε να λειτουργήσετε αυτό το φούρνο με την πόρτα ανοιχτή, καθώς η λειτουργία με ανοιχτή την πόρτα μπορεί να έχει ως αποτέλεσμα επιβλαβή έκθεση στην ενέργεια μικροκυμάτων. Είναι σημαντικό να μην καταστρέψετε ή να μην επεμβαίνετε στις κλειδαριές ασφαλείας.
2. Μην τοποθετείτε αντικείμενα μεταξύ της πρόσοψης του φούρνου και της πόρτας και μην αφήνετε να συσσωρεύονται βρωμιά ή υπολείμματα καθαριστικών στις επιφάνειες σφράγισης.
3. Μην χρησιμοποιείτε το φούρνο εάν έχει υποστεί ζημιά. Είναι πολύ σημαντικό η πόρτα του φούρνου να κλείνει σωστά και να μην υπάρχει ζημιά στην
 - a) Πόρτα (συμπεριλαμβανομένης οποιασδήποτε λυγισμένης πόρτας),
 - b) Μεντεσέδες και μάνδαλα (σπασμένα ή χαλαρά),
 - c) Τσιμούχες θυρών και επιφάνειες σφράγισης.
4. Ο φούρνος δεν πρέπει να ρυθμίζεται ή να επισκευάζεται από κανέναν εκτός από εξειδικευμένο προσωπικό τεχνικής εξυπηρέτησης.

ΣΗΜΑΝΤΙΚΕΣ ΟΔΗΓΙΕΣ ΑΣΦΑΛΕΙΑΣ

Κατά τη χρήση ηλεκτρικών συσκευών πρέπει να τηρούνται οι βασικές προφυλάξεις ασφαλείας, συμπεριλαμβανομένων των ακόλουθων:

ΠΡΟΕΙΔΟΠΟΙΗΣΗ! Για τη μείωση του κινδύνου εγκαυμάτων, ηλεκτροπληξίας, πυρκαγιάς, τραυματισμού ατόμων ή έκθεσης σε υπερβολική ενέργεια μικροκυμάτων:

1. Διαβάστε όλες τις οδηγίες πριν χρησιμοποιήσετε τη συσκευή και φυλάξτε τις για μελλοντική αναφορά.
2. Χρησιμοποιήστε αυτή τη συσκευή μόνο για τη χρήση για την οποία προορίζεται, όπως περιγράφεται στο παρόν εγχειρίδιο. Μην χρησιμοποιείτε διαβρωτικές χημικές ουσίες ή ατμούς σε αυτή τη συσκευή. Αυτός ο τύπος φούρνου έχει σχεδιαστεί ειδικά για να θερμαίνει, να μαγειρεύει ή να στεγνώνει τρόφιμα. Δεν έχει σχεδιαστεί για βιομηχανική ή εργαστηριακή χρήση.
3. Μην λειτουργείτε το φούρνο όταν είναι άδειος.
4. Μην χρησιμοποιείτε τη συσκευή εάν έχει φθαρεί το καλώδιο ή το βύσμα, εάν δεν λειτουργεί σωστά ή εάν έχει υποστεί ζημιά ή έχει πέσει. Εάν έχει προκληθεί ζημιά

στο καλώδιο τροφοδοσίας, πρέπει να αντικατασταθεί από τον κατασκευαστή ή από τον εξουσιοδοτημένο τεχνικό του ή άτομο με παρόμοια τεχνική κατάρτιση έτσι ώστε να αποφευχθεί οποιοσδήποτε κίνδυνος.

5. ΠΡΟΕΙΔΟΠΟΙΗΣΗ! Να επιτρέπεται στα παιδιά να χρησιμοποιούν το φούρνο χωρίς επίβλεψη μόνο όταν έχουν δοθεί επαρκείς οδηγίες έτσι ώστε το παιδί να μπορεί να χρησιμοποιεί το φούρνο με ασφαλή τρόπο και να κατανοεί τους κινδύνους ακατάλληλης χρήσης.
6. Προειδοποίηση: Όταν η συσκευή λειτουργεί σε λειτουργία συνδυασμού, τα παιδιά πρέπει να χρησιμοποιούν το φούρνο μόνο υπό την επίβλεψη ενηλίκου λόγω των θερμοκρασιών που παράγονται.
7. Για να μειωθεί ο κίνδυνος πυρκαγιάς μέσα στον θάλαμο του φούρνου:
 - a) Όταν ζεσταίνετε τρόφιμα σε πλαστικό ή χάρτινο δοχείο, να παρακολουθείτε το φούρνο λόγω της πιθανότητας ανάφλεξης,
 - b) Αφαιρέστε τις συστροφές σύρματος από χάρτινες ή πλαστικές σακούλες πριν τοποθετήσετε τη σακούλα στο φούρνο.
 - c) Εάν παρατηρηθεί καπνός, απενεργοποιήστε ή αποσυνδέστε τη συσκευή και κρατήστε την πόρτα κλειστή για να καταπνίξετε τυχόν φλόγες.
 - d) Μη χρησιμοποιείτε τον θάλαμο για σκοπούς φύλαξης. Μην αφήνετε προϊόντα χαρτιού, μαγειρικά σκεύη ή τρόφιμα στην κοιλότητα όταν δεν χρησιμοποιούνται.
 - e) Ο φούρνος μικροκυμάτων προορίζεται για τη θέρμανση τροφίμων και ποτών. Το στέγνωμα των ρούχων και η θέρμανση των θερμαντικών επιθεμάτων, των παντελονιών, των σπόγγων, των νωπών υφασμάτων και παρόμοιων ειδών μπορεί να οδηγήσει σε κίνδυνο τραυματισμού, ανάφλεξης ή πυρκαγιάς.
8. ΠΡΟΕΙΔΟΠΟΙΗΣΗ! Τα υγρά ή άλλα τρόφιμα δεν πρέπει να θερμαίνονται σε σφραγισμένους περιέκτες, διότι ενδέχεται να εκραγούν.
9. Η θέρμανση του αναψυκτικού με μικροκύματα μπορεί να έχει ως αποτέλεσμα καθυστερημένο εκρηκτικό βρασμό, επομένως απαιτείται προσοχή κατά το χειρισμό του δοχείου.
10. Μην τηγανίζετε φαγητό στο φούρνο. Το καυτό λάδι μπορεί να βλάψει τα μέρη του φούρνου και τα σκεύη, ακόμη και να προκαλέσει εγκαύματα στο δέρμα.
11. Τα αυγά με το κέλυφός τους και τα ολόκληρα βρασμένα αυγά δεν πρέπει να θερμαίνονται σε φούρνους μικροκυμάτων, δεδομένου ότι ενδέχεται να εκραγούν ακόμη και μετά το τέλος της θέρμανσης με μικροκύματα.
12. Τρυπήστε τρόφιμα με βαριά δέρματα όπως πατάτες, ολόκληρα κολοκύθια, μήλα και κάστανα πριν από το μαγείρεμα.
13. Το περιεχόμενο των φιαλών σίτισης και των δοχείων για βρέφη θα πρέπει να ανακατεύεται ή να ανακινείται και η θερμοκρασία θα πρέπει να ελέγχεται πριν από το σερβίρισμα προκειμένου να αποφεύγονται εγκαύματα.
14. Τα μαγειρικά σκεύη μπορεί να θερμανθούν λόγω της θερμότητας που μεταφέρεται από τα θερμαινόμενα τρόφιμα. Μπορεί να χρειαστούν ποτηροθήκες για το χειρισμό των σκευών.
15. Τα εξαρτήματα θα πρέπει να ελέγχονται για να διασφαλίζεται ότι είναι κατάλληλα για χρήση σε φούρνο μικροκυμάτων.
16. ΠΡΟΕΙΔΟΠΟΙΗΣΗ! Είναι επικίνδυνο για οποιονδήποτε άλλον εκτός από ένα εκπαιδευμένο άτομο να εκτελεί οποιαδήποτε εργασία συντήρησης ή επισκευής

που περιλαμβάνει την αφαίρεση οποιουδήποτε καλύμματος που παρέχει προστασία από την έκθεση σε ενέργεια μικροκυμάτων.

17. Αυτός ο φούρνος μικροκυμάτων συμμορφώνεται με το πρότυπο EN 55011/CISPR 11, στο οποίο ανήκει στην κατηγορία Β της ομάδας 2. Εξοπλισμός ομάδας 2: Η ομάδα 2 περιλαμβάνει όλο τον εξοπλισμό ISM RF στον οποίο η ενέργεια ραδιοσυχνοτήτων στην περιοχή συχνοτήτων 9 kHz έως 400 GHz παράγεται και χρησιμοποιείται σκόπιμα ή χρησιμοποιείται μόνο τοπικά, με τη μορφή ηλεκτρομαγνητικής ακτινοβολίας, επαγωγικής ή/και χωρητικής σύζευξης, για την επεξεργασία υλικών, για σκοπούς επιθεώρησης/ανάλυσης ή για τη μεταφορά ηλεκτρομαγνητικής ενέργειας. Εξοπλισμός κατηγορίας Β είναι εξοπλισμός κατάλληλος για χρήση σε χώρους σε οικιακό περιβάλλον και σε εγκαταστάσεις που συνδέονται άμεσα με δίκτυο παροχής ηλεκτρικής ενέργειας χαμηλής τάσης το οποίο τροφοδοτεί κτίρια που χρησιμοποιούνται για οικιακούς σκοπούς.
18. Αυτή η συσκευή δεν προορίζεται για χρήση από άτομα (συμπεριλαμβανομένων των παιδιών) με μειωμένες σωματικές, αισθητηριακές ή διανοητικές ικανότητες ή έλλειψη εμπειρίας και γνώσης, εκτός εάν τους έχουν δοθεί οδηγίες αναφορικά με τη χρήση της συσκευής από ένα άτομο που είναι υπεύθυνο για την ασφάλειά τους.
19. Τα παιδιά θα πρέπει να επιβλέπονται ώστε να διασφαλίζεται ότι δεν παίζουν με τη συσκευή.
20. Ο φούρνος μικροκυμάτων χρησιμοποιείται μόνο σε ανεξάρτητη θέση.
21. ΠΡΟΕΙΔΟΠΟΙΗΣΗ! Μην εγκαθιστάτε το φούρνο πάνω από εστία ή άλλη συσκευή που παράγει θερμότητα. Εάν εγκατασταθεί θα μπορούσε να υποστεί ζημιά και να αποφευχθεί η εγγύηση.
22. Ο φούρνος μικροκυμάτων δεν πρέπει να τοποθετείται μέσα σε ένα ντουλάπι.
23. Η πόρτα ή η εξωτερική επιφάνεια μπορεί να θερμανθεί όταν η συσκευή λειτουργεί.
24. Προειδοποίηση: Τα προσβάσιμα τμήματα μπορεί να θερμανθούν πολύ κατά την διάρκεια της χρήσης. Τα μικρά παιδιά πρέπει να κρατούνται μακριά.
25. Κατά την διάρκεια της χρήσης οι συσκευές θερμαίνονται πολύ. Πρέπει να λαμβάνεται μέριμνα ώστε να αποφεύγεται η επαφή των θερμαντικών στοιχείων στο εσωτερικό του φούρνου, για το εύρος μαγειρέματος και τους φούρνους.
26. Η θερμοκρασία των προσβάσιμων επιφανειών μπορεί να είναι υψηλή όταν η συσκευή λειτουργεί.
27. Η συσκευή δεν πρέπει να χρησιμοποιείται από παιδιά ή άτομα με μειωμένες σωματικές, αισθητηριακές ή πνευματικές ικανότητες ή έλλειψη εμπειρίας και γνώσης, εκτός εάν τους έχει δοθεί επίβλεψη ή οδηγίες.
28. ΠΡΟΕΙΔΟΠΟΙΗΣΗ! Εάν η πόρτα ή τα παρεμβύσματα της πόρτας έχουν υποστεί ζημιά, ο φούρνος δεν πρέπει να λειτουργεί μέχρι να επισκευαστεί από αρμόδιο άτομο.
29. Οι οδηγίες χρήσης αναφέρουν ότι οι συσκευές δεν προορίζονται να λειτουργούν με εξωτερικό χρονοδιακόπτη ή χωριστό σύστημα τηλεχειρισμού.
30. Ο φούρνος μικροκυμάτων προορίζεται μόνο για οικιακή χρήση και όχι για εμπορική χρήση.
31. Μην αφαιρείτε ποτέ τη διάταξη συγκράτησης απόστασης στο πίσω μέρος ή στα πλάγια, καθώς εξασφαλίζει μια ελάχιστη απόσταση από τον τοίχο για την κυκλοφορία του αέρα.

32. Ασφαλίστε την περιστρεφόμενη βάση πριν μετακινήσετε τη συσκευή για να αποφύγετε ζημιές.
33. Προσοχή: ΠΡΟΣΟΧΗ!--Είναι επικίνδυνο να επισκευάσετε ή να συντηρήσετε τη συσκευή από κάποιον που δεν είναι ειδικός, διότι υπό αυτές τις συνθήκες πρέπει να αφαιρέσετε το κάλυμμα που εξασφαλίζει την προστασία από την ακτινοβολία μικροκυμάτων. Αυτό ισχύει και για την αλλαγή του καλωδίου τροφοδοσίας ή του φωτισμού. Στείλτε τη συσκευή σε αυτές τις περιπτώσεις στο κέντρο επισκευής μας.
34. Ο φούρνος μικροκυμάτων προορίζεται μόνο για την απόψυξη, το μαγείρεμα και τον ατμό των τροφίμων.
35. Χρησιμοποιήστε γάντια αν αφαιρέσετε τυχόν τρόφιμα που έχουν θερμανθεί.
36. Προσοχή! Ο ατμός θα διαφύγει, όταν ανοίγετε τα καπάκια ή το αλουμινόχαρτο περιτυλίγματος.
37. Αυτή η συσκευή μπορεί να χρησιμοποιηθεί από παιδιά ηλικίας 8 ετών ή μεγαλύτερα και από άτομα με μειωμένες σωματικές, αισθητηριακές ή διανοητικές ικανότητες ή έλλειψη εμπειρίας και γνώσης εάν είναι υπό επίβλεψη ή τους έχουν δοθεί οδηγίες αναφορικά με τη χρήση της συσκευής με ασφαλή τρόπο και έχουν κατανοήσει τους κινδύνους που ενέχονται. Τα παιδιά δεν θα πρέπει να παίζουν με την συσκευή. Ο καθαρισμός και η συντήρηση από το χρήστη δεν πρέπει να γίνονται από παιδιά εκτός εάν είναι ηλικίας 8 ετών και άνω και επιβλέπονται.
38. Εάν εκπέμπεται καπνός, απενεργοποιήστε ή αποσυνδέστε τη συσκευή και κρατήστε την πόρτα κλειστή για να καταπνίξετε τυχόν φλόγες.

ΟΔΗΓΟΣ ΕΓΚΑΤΑΣΤΑΣΗΣ

1. Βεβαιωθείτε ότι όλα τα υλικά συσκευασίας έχουν αφαιρεθεί από το εσωτερικό της πόρτας.
2. ΠΡΟΕΙΔΟΠΟΙΗΣΗ! Ελέγξτε το φούρνο για τυχόν ζημιές, όπως εσφαλμένη ευθυγράμμιση ή κάμψη πόρτας, καεστραμμένες στεγανοποιήσεις πόρτας και επιφάνεια στεγανοποίησης, σπασμένους ή χαλαρούς μεντεσέδες πόρτας και κλειδαριές και βαθουλώματα μέσα στον θάλαμο ή στην πόρτα. Εάν υπάρχει οποιαδήποτε ζημιά, μην χρησιμοποιείτε το φούρνο και επικοινωνήστε με εξειδικευμένο προσωπικό τεχνικής εξυπηρέτησης.
3. Αυτός ο φούρνος μικροκυμάτων πρέπει να τοποθετείται σε επίπεδη, σταθερή επιφάνεια για να συγκρατεί το βάρος του και το βαρύτερο φαγητό που μπορεί να μαγειρευτεί στο φούρνο.
4. Μην τοποθετείτε το φούρνο όπου παράγεται θερμότητα, υγρασία ή υψηλή υγρασία ή κοντά σε εύφλεκτα υλικά.
5. Για τη σωστή λειτουργία, ο φούρνος πρέπει να έχει επαρκή ροή αέρα. Αφήστε τουλάχιστον 20 cm ελεύθερου χώρου πάνω από την άνω επιφάνεια του φούρνου και 5 cm και στις δύο πλευρές. Η οπίσθια πλάκα του φούρνου μικροκυμάτων πρέπει να τοποθετείται κοντά στον τοίχο. Μην καλύπτετε και μην μπλοκάρτε τυχόν ανοίγματα της συσκευής. Μην αφαιρείτε τα πόδια.
6. Μην λειτουργείτε το φούρνο χωρίς τον γυάλινο δίσκο, το στήριγμα κυλίνδρου, και τον άξονα στις σωστές θέσεις τους.

7. Βεβαιωθείτε ότι το καλώδιο τροφοδοσίας είναι άθικτο και δεν λειτουργεί κάτω από το φούρνο ή πάνω από οποιαδήποτε θερμή ή αιχμηρή επιφάνεια.
8. Η πρίζα πρέπει να είναι εύκολα προσβάσιμη ώστε να μπορεί εύκολα να αποσυνδεθεί σε περίπτωση έκτακτης ανάγκης.
9. Μην χρησιμοποιείτε το φούρνο σε εξωτερικούς χώρους.

ΟΔΗΓΙΕΣ ΓΕΙΩΣΗΣ

Αυτή η συσκευή πρέπει να γειωθεί. Αυτός ο φούρνος είναι εξοπλισμένος με καλώδιο που έχει καλώδιο γείωσης με βύσμα γείωσης. Πρέπει να είναι συνδεδεμένο σε πρίζα τοίχου που είναι σωστά τοποθετημένη και γειωμένη. Σε περίπτωση ηλεκτρικού βραχυκυκλώματος, η γείωση μειώνει τον κίνδυνο ηλεκτροπληξίας παρέχοντας ένα σύρμα διαφυγής για το ηλεκτρικό ρεύμα. Συνιστάται να παρέχεται ξεχωριστό κύκλωμα που να εξυπηρετεί μόνο το φούρνο. Η χρήση υψηλής τάσης είναι επικίνδυνη και μπορεί να οδηγήσει σε πυρκαγιά ή άλλο ατύχημα που θα προκαλέσει ζημιά στο φούρνο.

ΠΡΟΕΙΔΟΠΟΙΗΣΗ Η ακατάλληλη χρήση του βύσματος γείωσης μπορεί να οδηγήσει σε κίνδυνο ηλεκτροπληξίας.

Σημείωση:

1. Εάν έχετε απορίες σχετικά με τις οδηγίες γείωσης ή τις ηλεκτρικές οδηγίες, συμβουλευτείτε εξειδικευμένο ηλεκτρολόγο ή τεχνικό από την τεχνική εξυπηρέτηση.
2. Ούτε ο κατασκευαστής ούτε ο αντιπρόσωπος μπορούν να αποδεχθούν οποιαδήποτε ευθύνη για ζημιά στο φούρνο ή τραυματισμό που προκύπτει από τη μη τήρηση των διαδικασιών ηλεκτρικής σύνδεσης.

Τα καλώδια σε αυτό το καλώδιο έχουν χρωματιστεί σύμφωνα με τον ακόλουθο κώδικα: Πράσινο και κίτρινο = ΓΕΙΩΣΗ

Μπλε = ΟΥΔΕΤΕΡΟΣ

Καφέ = ΦΑΣΗ

ΡΑΔΙΟΗΛΕΚΤΡΙΚΕΣ ΠΑΡΕΜΒΟΛΕΣ

Η λειτουργία του φούρνου μικροκυμάτων μπορεί να προκαλέσει παρεμβολές στο ραδιόφωνο, την τηλεόραση ή παρόμοιο εξοπλισμό. Όταν υπάρχει παρεμβολή, μπορεί να μειωθεί ή να εξαλειφθεί με τη λήψη των ακόλουθων μέτρων:

1. Καθαρίστε την πόρτα και την επιφάνεια σφράγισης του φούρνου.
2. Επαναπροσανατολίστε την κεραία λήψης του ραδιοφώνου ή της τηλεόρασης.
3. Μετακινήστε το φούρνο μικροκυμάτων σε σχέση με το δέκτη.
4. Μετακινήστε το φούρνο μικροκυμάτων μακριά από το δέκτη.
5. Συνδέστε το φούρνο μικροκυμάτων σε διαφορετική πρίζα έτσι ώστε ο φούρνος μικροκυμάτων και ο δέκτης να βρίσκονται σε διαφορετικά κυκλώματα διακλάδωσης.

ΠΡΙΝ ΚΑΛΕΣΕΤΕ ΤΗΝ ΥΠΗΡΕΣΙΑ

Πριν ζητήσετε τεχνική υποστήριξη, ελέγξτε κάθε στοιχείο παρακάτω:

- Ελέγξτε για να βεβαιωθείτε ότι ο φούρνος είναι συνδεδεμένος με ασφάλεια. Εάν όχι, αφαιρέστε το βύσμα από την πρίζα, περιμένετε 10 δευτερόλεπτα και συνδέστε το ξανά με ασφάλεια.
- Ελέγξτε για καμένη ασφάλεια κυκλώματος ή ενεργοποιημένο κεντρικό ασφαλειοδιακόπτη. Αν αυτά φαίνονται να λειτουργούν σωστά, δοκιμάστε την πρίζα με άλλη συσκευή.
- Ελέγξτε για να βεβαιωθείτε ότι ο πίνακας ελέγχου έχει προγραμματιστεί σωστά και ότι ο χρονοδιακόπτης έχει ρυθμιστεί.
- Ελέγξτε για να βεβαιωθείτε ότι η πόρτα είναι καλά κλειστή, ενεργοποιώντας το σύστημα κλειδώματος της πόρτας. Αν η πόρτα δεν κλείσει σωστά, η ενέργεια μικροκυμάτων δεν θα ρέει μέσα.

ΕΑΝ ΚΑΝΕΝΑ ΑΠΟ ΤΑ ΠΑΡΑΠΑΝΩ ΔΕΝ ΔΙΟΡΘΩΝΕΙ ΤΗΝ ΚΑΤΑΣΤΑΣΗ, ΕΠΙΚΟΙΝΩΝΗΣΤΕ ΜΕ ΕΝΑΝ ΕΞΕΙΔΙΚΕΥΜΕΝΟ ΤΕΧΝΙΚΟ. ΜΗΝ ΠΡΟΣΠΑΘΗΣΕΤΕ ΝΑ ΡΥΘΜΙΣΕΤΕ Ή ΝΑ ΕΠΙΣΚΕΥΑΣΕΤΕ ΤΟ ΦΟΥΡΝΟ ΜΟΝΟΙ ΣΑΣ.

ΤΕΧΝΙΚΕΣ ΜΑΓΕΙΡΕΜΑΤΟΣ

1. Τακτοποιήστε το φαγητό προσεκτικά. Τοποθετήστε τις πιο πυκνές περιοχές προς τα έξω από το πιάτο.
2. Παρακολουθήστε το χρόνο μαγειρέματος. Μαγειρέψτε για το συντομότερο χρονικό διάστημα που υποδεικνύεται και προσθέστε περισσότερο, όπως απαιτείται. Τα πάρα πολύ ψημένα τρόφιμα μπορούν να καπνίσουν ή να αναφλεγούν.
3. Καλύψτε τα τρόφιμα ενώ μαγειρεύετε. Τα καλύμματα αποτρέπουν το πιπίλισμα και βοηθούν τα τρόφιμα να μαγειρεύουν ομοιόμορφα.
4. Αναποδογυρίστε τα τρόφιμα μία φορά κατά τη διάρκεια του μαγειρέματος στο φούρνο μικροκυμάτων για να επιταχύνετε το μαγείρεμα τροφίμων όπως κοτόπουλο και χάμπουργκερ. Μεγάλα αντικείμενα όπως τα ψητά πρέπει να αναποδογυρίζονται τουλάχιστον μία φορά.
5. Αναδιατάξτε τα τρόφιμα όπως κεφτέδες στα μισά του μαγειρέματος τόσο από πάνω προς τα κάτω όσο και από το κέντρο του πιάτου προς τα έξω.

ΟΔΗΓΟΣ ΜΑΓΕΙΡΙΚΩΝ ΣΚΕΥΩΝ

1. Ο φούρνος μικροκυμάτων δεν μπορεί να διαπεράσει το μέταλλο. Χρησιμοποιείτε μόνο σκεύη κατάλληλα για χρήση σε φούρνους μικροκυμάτων. Τα μεταλλικά δοχεία για τρόφιμα και ποτά δεν επιτρέπονται κατά τη διάρκεια του μαγειρέματος στο φούρνο μικροκυμάτων. Η απαίτηση αυτή δεν ισχύει εάν ο κατασκευαστής καθορίζει το μέγεθος και το σχήμα των μεταλλικών δοχείων που είναι κατάλληλα για μαγείρεμα σε φούρνο μικροκυμάτων.
2. Ο φούρνος μικροκυμάτων δεν μπορεί να δεισδύσει στο μέταλλο, επομένως δεν πρέπει να χρησιμοποιούνται μεταλλικά σκεύη ή πιάτα με μεταλλικό φινίρισμα.
3. Μην χρησιμοποιείτε ανακυκλωμένα προϊόντα χαρτιού κατά το μαγείρεμα σε φούρνο μικροκυμάτων, καθώς μπορεί να περιέχουν μικρά μεταλλικά θραύσματα που μπορεί να προκαλέσουν σπινθήρες και/ή πυρκαγιές.
4. Συνιστώνται στρογγυλά/οβάλ πιάτα αντί για τετράγωνα/επιμήκη, καθώς το φαγητό στις γωνίες τείνει να παραψήνεται.
5. Στενές ταινίες από φύλλο αλουμινίου μπορούν να χρησιμοποιηθούν για την πρόληψη του υπερβολικού βρασμού των εκτεθειμένων περιοχών. Αλλά προσέξτε να μην χρησιμοποιήσετε πάρα πολύ και κρατήστε απόσταση 2,54 cm (1 ίντσα) μεταξύ του φύλλου αλουμινίου και του θαλάμου.

Η παρακάτω λίστα είναι ένας γενικός οδηγός που θα σας βοηθήσει να επιλέξετε τα σωστά σκεύη.

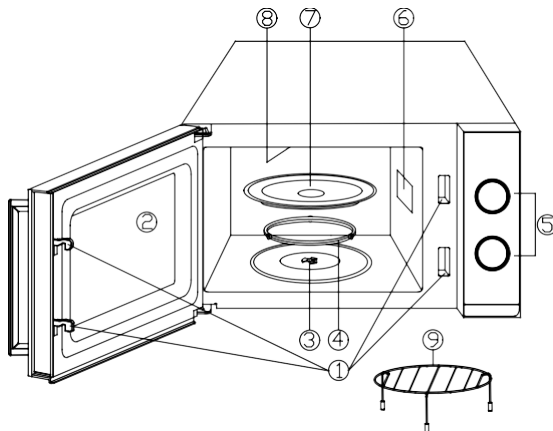
| Σκεύη μαγειρέματος | Μικρόκυμα | Γκριλ | Συνδυασμός |
|--|-----------|-------|------------|
| Θερμοανθεκτικό γυαλί | Ναι | Ναι | Ναι |
| Γυαλί μη ανθεκτικό στη θερμότητα | Όχι | Όχι | Όχι |
| Θερμοανθεκτικά κεραμικά | Ναι | Ναι | Ναι |
| Πλαστικό πιάτο ασφαλές για μικροκύματα | Ναι | Όχι | Όχι |
| Χαρτί κουζίνας | Ναι | Όχι | Όχι |
| Μεταλλικός δίσκος | Όχι | Ναι | Όχι |
| Μεταλλική σχάρα | Όχι | Ναι | Όχι |
| Δοχεία από αλουμίνιο και αλουμινόχαρτο | Όχι | Ναι | Όχι |

ΤΕΧΝΙΚΑ ΧΑΡΑΚΤΗΡΙΣΤΙΚΑ

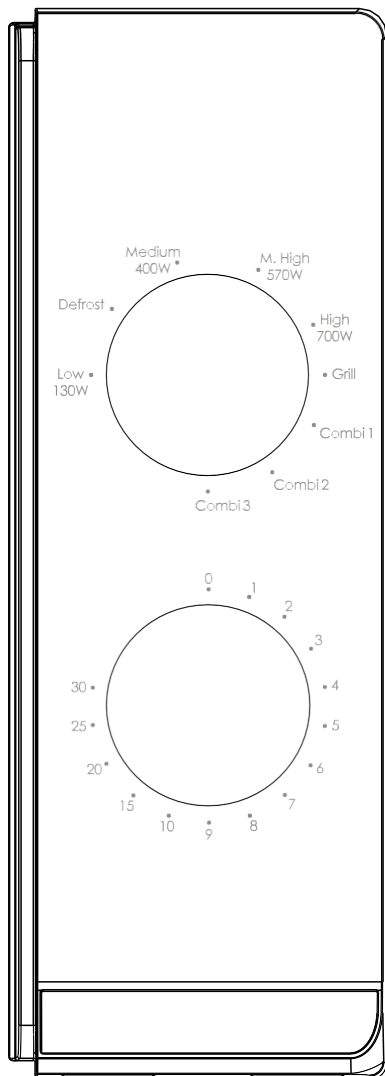
| | |
|-----------------------------|---|
| Κατανάλωση ισχύος: | 230-240V/50Hz, 1200 W(Φούρνος μικροκυμάτων); 900W(Ψησταριά) |
| Τιμή εξόδου | 700 W |
| Συχνότητα λειτουργίας: | 2450 MHz |
| Εξωτερικές διαστάσεις | 262 mm (Υ) × 452 mm (Π) × 357 mm (Β) |
| Διαστάσεις θαλάμου φούρνου: | 198 mm (Υ) × 315 mm (Π) × 297 mm (Β) |
| Χωρητικότητα φούρνου: | Συμπαγές 20 λίτρα |
| Καθαρό βάρος: | Περίπου 11 kg |

ΔΙΑΓΡΑΜΜΑ ΠΡΟΪΟΝΤΟΣ

1. Σύστημα κλειδώματος πόρτας
2. Παράθυρο φούρνου
3. Άξονας
4. Κύλινδρος κύλισης
5. Πίνακας ελέγχου
6. Οδηγός κυμάτων
(Μην αφαιρέσετε την πλάκα μαρμαρυγίας που καλύπτει τον κυματοδηγό)
7. Γυάλινος δίσκος
8. Θερμαντήρας σχάρας
9. Μεταλλική σχάρα



ΠΙΝΑΚΑΣ ΕΛΕΓΧΟΥ



Ο πίνακας ελέγχου αποτελείται από δύο χειριστές λειτουργιών. Το ένα είναι ένα κουμπί χρόνου και το άλλο ένα κουμπί ισχύος.

Επιλογέας ισχύος/δράσης

Χρησιμοποιείτε αυτό το κουμπί χειρισμού για να επιλέξετε ένα επίπεδο ισχύος μαγειρέματος. Είναι το πρώτο βήμα για την έναρξη μιας συνεδρίας μαγειρικής.

Κουμπί χρονοδιακόπτη

Προσφέρει οπτικές ρυθμίσεις χρονομέτρησης με εύκολη περιστροφή του αντίχειρά σας για να επιλέξετε τον επιθυμητό χρόνο μαγειρέματος έως και 30 λεπτά ανά περίοδο μαγειρέματος.

Μαγείρεμα σε μικροκύματα

Για το καθαρό μαγείρεμα σε φούρνο μικροκυμάτων, υπάρχουν πέντε επίπεδα ισχύος από τα οποία μπορείτε να επιλέξετε το κατάλληλο για την εκάστοτε εργασία.

Το επίπεδο ισχύος αυξάνεται με τη δεξιόστροφη περιστροφή του κουμπιού. Τα επίπεδα ισχύος μπορούν να ταξινομηθούν ως εξής:

| παραγόμενη ισχύς | Περιγραφή |
|------------------|-----------|
| 700W | ΥΨΗΛΗ |
| 570W | M.HIGH |
| 400W | ΜΕΣ |
| | Απόψυξη |
| 130W | ΜΙΚΡΟ |

Μαγείρεμα στο γκριλ

Με το κουμπί να περιστρέφεται δεξιόστροφα περνώντας από το υψηλότερο επίπεδο ισχύος μικροκυμάτων, ο φούρνος έρχεται στη λειτουργία ψησίματος στη σχάρα, η οποία είναι ιδιαίτερα χρήσιμη για λεπτές φέτες κρέατος, μπριζόλες, μπριζόλες, κεμπάπ, λουκάνικα ή κομμάτια κοτόπουλου. Είναι επίσης κατάλληλο για το μαγείρεμα ζεστών σάντουιτς και πιάτων με ογκρατέν.

Συνδυαστικό μαγείρεμα

Σύμφωνα με το όνομά της, αυτή η λειτουργία μαγειρέματος συνδυάζει την ισχύ των μικροκυμάτων με αυτή του ψησίματος στη σχάρα. Η λειτουργία κατηγοριοποιείται σε τρία επίπεδα με διαφορετικές ρυθμίσεις ισχύος συνδυασμού, όπως μπορείτε να δείτε στον ακόλουθο πίνακα. Αυτά είναι ιδιαίτερα κατάλληλα για ορισμένα τρόφιμα και μαγειρικές εργασίες. Καθώς και για τη διατήρηση της πολυπλόκτης τραγανότητας ορισμένων τροφίμων.

Ο παρακάτω πίνακας δείχνει 3 διαφορετικές ρυθμίσεις ισχύος για συνδυαστικά προγράμματα.

| Πρόγραμμα | Χρόνος μαγειρέματος σε φούρνο μικροκυμάτων | Χρόνος ψησίματος στο γκριλ | Suitable for |
|-----------|--|----------------------------|-----------------------------------|
| Comb1 | 30% | 70% | Ψάρια, πατάτες, δημητριακά |
| Comb2 | 49% | 51% | Πουτίγκα, ομελέτες, ψητές πατάτες |
| Comb3 | 67% | 33% | Κρέατα πουλερικών |

ΟΔΗΓΙΕΣ ΧΡΗΣΗΣ

Για να ξεκινήσετε μια συνεδρία μαγειρέματος,

1. Τοποθετήστε το φαγητό στο φούρνο και κλείστε την πόρτα.
2. Περιστρέψτε τον επιλογέα ισχύος για να επιλέξετε ένα επίπεδο ισχύος.
3. Γυρίστε το κουμπί χρονοδιακόπτη για να ρυθμίσετε το χρόνο μαγειρέματος.

ΣΗΜΕΙΩΣΗ: Μόλις ενεργοποιηθεί ο χρονοδιακόπτης, ο φούρνος αρχίζει να μαγειρεύει. Όταν επιλέγετε χρόνο για λιγότερο από 2 λεπτά, γυρίστε το χρονόμετρο πέρα από τα 2 λεπτά και στη συνέχεια επιστρέψτε στη σωστή ώρα.

ΠΡΟΣΟΧΗ: ΠΑΝΤΑ ΕΠΙΣΤΡΕΦΕΤΕ ΤΟ ΧΡΟΝΟΔΙΑΚΟΠΤΗ ΠΙΣΩ ΣΤΗ ΘΕΣΗ ΜΗΔΕΝ, εάν το φαγητό αφαιρεθεί από το φούρνο πριν από την ολοκλήρωση του καθορισμένου χρόνου μαγειρέματος ή όταν ο φούρνος δεν χρησιμοποιείται. Για να σταματήσετε το φούρνο κατά τη διάρκεια της διαδικασίας μαγειρέματος, πιέστε το κουμπί απελευθέρωσης της πόρτας ή ανοίξτε την πόρτα από τη λαβή.

ΚΑΘΑΡΙΣΜΟΣ ΚΑΙ ΦΡΟΝΤΙΔΑ

1. Απενεργοποιήστε το φούρνο και αφαιρέστε το φιν από την πρίζα πριν τον καθαρισμό.
2. Διατηρείτε το εσωτερικό του φούρνου καθαρό. Όταν οι πιτσιλιές τροφίμων ή τα υγρά που έχουν χυθεί προσκολλώνται στα τοιχώματα του φούρνου, σκουπίστε με ένα υγρό πανί. Εάν ο φούρνος λερωθεί πολύ, μπορεί να χρησιμοποιηθεί ήπιο απορρυπαντικό. Αποφύγετε τη χρήση σπρέι και άλλων σκληρών καθαριστικών, καθώς μπορεί να λεκιάσουν, να ραβδώσουν ή να θαμπώσουν την επιφάνεια της πόρτας.
3. Οι εξωτερικές επιφάνειες πρέπει να καθαρίζονται με ένα υγρό πανί.. Για να αποφύγετε την πρόκληση ζημιάς στα μέρη του φούρνου, δεν πρέπει να επιτρέψετε τη διαρροή νερού στα ανοίγματα εξαερισμού.
4. Σκουπίστε συχνά την πόρτα και το παράθυρο και στις δύο πλευρές, τις σφραγίσεις της πόρτας και τα παρακείμενα μέρη με ένα υγρό πανί για να αφαιρέσετε τυχόν κηλίδες ή πιτσιλιές. Μη χρησιμοποιείτε λειαντικό καθαριστικό.
5. Δεν πρέπει να χρησιμοποιείται ατμοκαθαριστής.
6. Μην αφήνετε τον πίνακα ελέγχου να βραχεί. Καθαρίστε με ένα μαλακό, υγρό πανί. Κατά τον καθαρισμό του πίνακα ελέγχου, αφήστε την πόρτα του φούρνου ανοιχτή για να αποφύγετε την ακούσια ενεργοποίηση του φούρνου.
7. Εάν συσσωρευτεί ατμός μέσα ή γύρω από το εξωτερικό της πόρτας του φούρνου, σκουπίστε με ένα μαλακό πανί. Αυτό μπορεί να συμβεί όταν ο φούρνος μικροκυμάτων λειτουργεί σε συνθήκες υψηλής υγρασίας. Και είναι φυσιολογικό.
8. Περιστασιακά είναι απαραίτητο να αφαιρέσετε το γυάλινο δίσκο για καθαρισμό. Πλύνετε το δίσκο με ζεστό σαπουνόνερο ή σε πλυντήριο πιάτων.
9. Ο δακτύλιος του κυλίνδρου και το δάπεδο του φούρνου πρέπει να καθαρίζονται τακτικά για να αποφεύγεται ο υπερβολικός θόρυβος. Σκουπίστε απλώς την κάτω επιφάνεια του φούρνου με ήπιο απορρυπαντικό. Ο δακτύλιος του κυλίνδρου μπορεί να πλυθεί με ήπιο σαπούνι ή πλυντήριο πιάτων. Όταν αφαιρείτε τον κυλινδρικό δακτύλιο από το δάπεδο της κοιλότητας για καθαρισμό, βεβαιωθείτε ότι τον αντικαταστήσατε στη σωστή θέση.
10. Αφαιρέστε τις οσμές από το φούρνο σας συνδυάζοντας ένα φλιτζάνι νερό με το χυμό και το δέρμα ενός λεμονιού σε ένα βαθύ δοχείο μικροκυμάτων, φούρνο μικροκυμάτων για 5 λεπτά. Σκουπίστε καλά και στεγνώστε με ένα μαλακό πανί.
11. Όταν είναι απαραίτητο να αντικαταστήσετε το φως του φούρνου, συμβουλευτείτε έναν αντιπρόσωπο για να το αντικαταστήσετε.
12. Ο φούρνος πρέπει να καθαρίζεται τακτικά και να αφαιρούνται τυχόν υπολείμματα τροφής. Η μη συντήρηση του φούρνου σε καθαρή κατάσταση θα μπορούσε να οδηγήσει σε φθορά της επιφάνειας, η οποία θα μπορούσε να επηρεάσει αρνητικά τη διάρκεια ζωής της συσκευής και ενδεχομένως να οδηγήσει σε επικίνδυνη κατάσταση.
13. Παρακαλούμε μην απορρίπτετε αυτή τη συσκευή στον οικιακό κάδο απορριμμάτων. Πρέπει να απορρίπτεται στο συγκεκριμένο κέντρο απορριμμάτων που παρέχεται από τους δήμους.
14. Όταν χρησιμοποιείται για πρώτη φορά ο φούρνος μικροκυμάτων με λειτουργία ψησίματος, ενδέχεται να παράγει ελαφρύ καπνό και οσμή. Αυτό είναι ένα φυσιολογικό φαινόμενο επειδή ο φούρνος είναι κατασκευασμένος από μια

χαλύβδινη πλάκα επικαλυμμένη με λιπαντικό έλαιο, και ο νέος φούρνος θα παράγει καπνούς και οσμές που δημιουργούνται από την καύση του λιπαντικού ελαίου. Το φαινόμενο αυτό θα εξαφανιστεί μετά από μια περίοδο χρήσης.



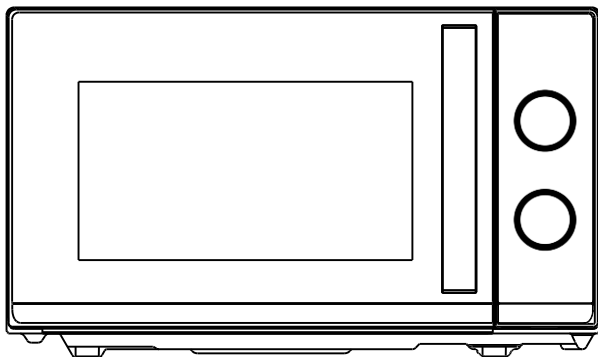
Η συσκευή αυτή επισημαίνεται σύμφωνα με την Ευρωπαϊκή Οδηγία 2012/19/ΕΕ σχετικά με τα Απόβλητα Ηλεκτρικού και Ηλεκτρονικού Εξοπλισμού του 2013 όσον αφορά τις ηλεκτρικές και ηλεκτρονικές συσκευές (ΑΗΗΕ). Τα ΑΗΗΕ περιλαμβάνουν τόσο ρυπογόνες ουσίες (οι οποίες μπορούν να έχουν αρνητικές επιπτώσεις στο περιβάλλον) όσο και βασικά εξαρτήματα (τα οποία μπορούν να χρησιμοποιηθούν και πάλι).

Είναι σημαντικό τα ΑΗΗΕ να υποβάλλονται σε συγκεκριμένες επεξεργασίες έτσι ώστε να αφαιρούνται και να απορρίπτονται όλα τα ρυπογόνα στοιχεία και να ανακτώνται όλα τα υλικά. Τα άτομα μπορούν να διαδραματίσουν σημαντικό ρόλο στην εξασφάλιση ότι τα ΑΗΗΕ δεν θα αποτελέσουν περιβαλλοντικό πρόβλημα. Είναι απαραίτητο να ακολουθούνται μερικοί βασικοί κανόνες:

- τα ΑΗΗΕ δεν θα πρέπει να αντιμετωπίζονται σαν οικιακά απορρίμματα,
- τα ΑΗΗΕ θα πρέπει να μεταφέρονται στα ειδικά κέντρα συλλογής και ανακύκλωσης αποβλήτων που διαχειρίζονται οι δημοτικές αρχές ή εξουσιοδοτημένες εταιρείες.

Σε πολλές χώρες, μπορεί να υπάρχουν διαθέσιμες συλλογές από τα σπίτια για μεγάλα ΑΗΗΕ. Όταν αγοράζετε μια καινούργια συσκευή, η παλιά μπορεί να επιστραφεί στον πωλητή ο οποίος πρέπει να την παραλάβει χωρίς χρέωση σε αναλογία μία προς μία, εφόσον η συσκευή αυτή είναι ισοδύναμου τύπου και έχει τις ίδιες λειτουργίες με την παρεχόμενη συσκευή.

Mikrohullámú sütő utasítások



Modell: CMG20TNMB

Kérjük, hogy a sütő telepítése és üzemeltetése előtt figyelmesen olvassa el ezeket az utasításokat.

TARTALOM

| | |
|---|-----------|
| ÓVINTÉZKEDÉSEK A TÚLZOTT MIKROHULLÁMÚ ENERGIÁNAK VALÓ ESETLEGES KITETTSÉG ELKERÜLÉSE ÉRDEKÉBEN | 3 |
| FONTOS BIZTONSÁGIUTASÍTÁSOK | 3 |
| TELEPÍTÉSI ÚTMUTATÓ | 6 |
| FÖLDELÉSI UTASÍTÁSOK | 6 |
| RÁDIÓZAVAR..... | 7 |
| A SZERVIZ IGÉNYBEVÉTELE ELŐTT..... | 7 |
| FŐZÉSI TECHNIKÁK..... | 8 |
| FŐZŐESZKÖZÖK ÚTMUTATÓ | 8 |
| SPECIFIKÁCIÓK..... | 9 |
| TERMÉKDIAGRAM..... | 9 |
| VEZÉRLŐPANEL | 10 |
| TELJESÍTMÉNY/MŰKÖDÉS VÁLASZTÓ | 10 |
| IDŐZÍTŐ GOMB..... | 10 |
| FŐZÉS MIKROHULLÁMMAL | 10 |
| GRILL FŐZÉS..... | 10 |
| KOMBINÁLT FŐZÉS..... | 11 |
| Használati utasítások..... | 11 |
| Tisztítás és ápolás..... | 11 |

ÓVINTÉZKEDÉSEK A TÚLZOTT MIKROHULLÁMÚ ENERGIÁNAK VALÓ ESETLEGES KITETTSÉG ELKERÜLÉSE ÉRDEKÉBEN

1. Ne próbálja meg ezt a sütőt nyitott ajtóval üzemeltetni, mivel a nyitott ajtós működés káros mikrohullámú energiának való kitettséget eredményezhet. Fontos, hogy a biztonsági reteszleéseket nem szabad meghíúsítani vagy megbabrálni.
2. Ne helyezzen semmilyen tárgyat a sütő elülső felülete és az ajtó közé, és ne hagyja, hogy szennyeződés vagy tisztítószer-maradék gyűljön össze a tömítőfelületeken.
3. Ne működtesse a sütőt, ha az sérült. Nagyon fontos, hogy a sütő ajtaja megfelelően záródjon, és ne sérüljön meg a
 - a) Ajtó (beleértve a hajlított ajtót is),
 - b) Pántok és reteszek (törött vagy meglazult),
 - c) Ajtó-tömítések és tömítőfelületek.
4. A sütőt csak szakképzett szervizszemélyzet állíthatja be vagy javíthatja.

FONTOS BIZTONSÁGIUTASÍTÁSOK

Az elektromos készülék használatakor alapvető biztonsági óvintézkedéseket kell betartani, beleértve a következőket:

FIGYELMEZTETÉS: Az égési sérülések, áramütés, tűz, személyi sérülés vagy túlzott mikrohullámú energiának való kitettség kockázatának csökkentése érdekében:

1. A készülék használata előtt olvassa el az összes használati utasítást, és őrizze meg a későbbi használatra.
2. A készüléket csak a jelen kézikönyvben leírt rendeltetésszerű használatra használja. Ne használjon maró hatású vegyszereket vagy gőzöket ebben a készülékben. Ezt a sütőtípust kifejezetten élelmiszerek melegítésére, főzésére vagy szárítására tervezték. Nem ipari vagy laboratóriumi használatra tervezték.
3. Ne működtesse a sütőt üres állapotban.
4. Ne működtesse a készüléket, ha sérült a vezeték vagy a dugó, ha nem működik megfelelően, vagy ha megsérült vagy leesett. Ha a tápkábel megsérül, a kockázatok elkerülése végett a gyártó által megadott márkaszerviznek vagy megfelelően képzett szakembernek kell gondoskodnia a cseréjéről.

5. FIGYELEM: Csak akkor engedje meg a gyermekeknek, hogy felügyelet nélkül használják a sütőt, ha megfelelő utasításokat kaptak, hogy a gyermek képes legyen a sütő biztonságos használatára, és megérti a helytelen használat veszélyeit.
6. Figyelem: Ha a készüléket kombinált üzemmódban működtetik, a gyermekek a keletkező hőmérséklet miatt csak felnőtt felügyelete mellett használhatják a sütőt.
7. A sütőtérben keletkező tűz veszélyének csökkentése érdekében:
 - a) Ha műanyag vagy papírtartályban lévő ételt melegít, tartsa szemmel a sütőt a gyulladás lehetősége miatt;
 - b) Távolítsa el a drótkötegeket a papír- vagy műanyag zacskókból, mielőtt a zacskót a sütőbe helyezi.
 - c) Ha füstöt észlel, kapcsolja ki vagy húzza ki a készüléket, és tartsa zárva az ajtót, hogy elnyomja a lángokat.
 - d) Ne használja az ürege tárolási célokra. Ne hagyjon papírárut, főzőedényeket vagy ételt az üregben, amikor nem használja.
 - e) A mikrohullámú sütő ételek és italok melegítésére szolgál. A ruhák szárítása és a melegítőpárnák, papucsok, szivacsok, nedves ruhák és hasonlók melegítése sérülés, gyulladás vagy tűzveszélyt okozhat.
8. FIGYELEM: Folyékony vagy egyéb élelmiszereket nem szabad zárt edényekben melegíteni, mivel azok robbanásveszélyesek.
9. Az ital mikrohullámú melegítése késleltetett kirobbanó forráshoz vezethet, ezért a tartály kezelésénél óvatosan kell eljárni.
10. Ne süsse az ételt a sütőben. A forró olaj károsíthatja a sütő alkatrészeit és eszközeit, és akár bőregést is okozhat.
11. A héjas tojásokat és az egész keményre főtt tojásokat nem szabad mikrohullámú sütőben melegíteni, mivel a mikrohullámú melegítés befejezése után is felrobbanhatnak.
12. Főzés előtt szűrje át a nehéz héjú ételeket, például a burgonyát, az egész tököt, az almát és a gesztenyét.
13. A cumisüvegek és bébiüvegek tartalmát meg kell keverni vagy fel kell rázni, és a tálalás előtt ellenőrizni kell a hőmérsékletet, hogy elkerüljük az égési sérüléseket.
14. A főzőedények felforrósodhatnak a felhevített ételek által átadott hő miatt. Az edények kezeléséhez szükség lehet lábtőlőre.
15. Az edényeket ellenőrizni kell, hogy alkalmasak-e a mikrohullámú sütőben való használatra.
16. FIGYELEM: Veszélyes, ha képzett személyen kívül bárki más olyan szerviz- vagy javítási műveletet végez, amely a mikrohullámú energiának való kitettség elleni védelmet biztosító burkolat eltávolításával jár.
17. Ez a mikrohullámú sütő megfelel az EN 55011/CISPR 11 szabványnak, ebben a szabványban a B osztály 2. csoportjába tartozik. 2. csoportba tartozó berendezések: a 2. csoportba tartozik minden olyan ISM RF berendezés, amelyben a 9 kHz és 400 GHz közötti frekvenciatartományba tartozó rádiófrekvenciás energiát szándékosan generálnak és használnak vagy csak helyileg használnak elektromágneses sugárzás, induktív és/vagy kapacitív csatolás formájában, anyagkezelésre, vizsgálati/elemezési célokra vagy elektromágneses energia átvitelére B. osztályú berendezések: a berendezések

olyan berendezések, amelyek lakóhelyi környezetben és olyan létesítményekben használhatók, amelyek közvetlenül csatlakoznak a háztartási célú épületeket ellátó kifeszültségű hálózathoz.

18. A készüléket nem használhatják csökkent fizikai, érzékszervi vagy mentális képességekkel rendelkező személyek (ideértve a gyerekeket), illetve a megfelelő tapasztalattal vagy tudással nem rendelkező személyek, amennyiben a biztonságukért felelő személy nem felügyeli a készülék használatát és szolgál útmutatással.
19. Felügyelje a gyermekeket, hogy azok ne játsszanak a készülékkel.
20. A mikrohullámú sütő csak szabadon álló készülékben használható.
21. FIGYELEM: Ne telepítse a sütőt tűzhely vagy más hőtermelő készülék fölé. Ha telepítve lehet sérült, és a garancia lenne elkerülni.
22. A mikrohullámú sütő nem helyezhető szekrénybe.
23. A készülék működése közben az ajtó vagy a külső felület felforrósodhat.
24. Figyelem: A hozzáférhető alkatrészek használat közben felforrósodhatnak. Tartsa távol a kisgyermeket.
25. A készülék használat közben felforrósodik. Ügyelni kell arra, hogy a sütő belsejében lévő fűtőelemeket ne érintse meg a főzőcsarnok és a sütő.
26. A hozzáférhető felületek hőmérséklete magas lehet, ha a készülék működik.
27. A készüléket nem használhatják gyermekek vagy csökkent fizikai, érzékszervi vagy szellemi képességekkel rendelkező, illetve tapasztalat és ismeretek hiányában nem rendelkező személyek, kivéve, ha felügyeletet vagy oktatást kaptak.
28. FIGYELEM: Ha az ajtó vagy az ajtó tömítések megsérültek, a sütőt nem szabad üzemeltetni, amíg azt hozzáértő személy meg nem javította.
29. A használati utasításban fel kell tüntetni, hogy a készülékeket nem szabad külső időzítővel vagy külön távvezérlő rendszerrel működtetni.
30. A mikrohullámú sütő kizárólag háztartási használatra, nem kereskedelmi használatra készült.
31. Soha ne távolítsa el a hátul vagy oldalt lévő távolságtartót, mivel az biztosítja a minimális távolságot a faltól a levegő keringéséhez.
32. Kérjük, a készülék mozgatása előtt rögzítse a lemezjátszót a sérülések elkerülése érdekében.
33. Vigyázat: Veszélyes a készüléket csak szakemberrel javíttatni vagy karbantartani, mert ilyen körülmények között a mikrohullámú sugárzás elleni védelmet biztosító burkolatot el kell távolítani. Ez vonatkozik a tápkábel vagy a világítás cseréjére is. Ezekben az esetekben küldje el a készüléket szervizközpontunkba.
34. A mikrohullámú sütő kizárólag ételek felolvasztására, főzésére és párolására szolgál.
35. Használjon kesztyűt, ha melegített ételt vesz ki.
36. Vigyázat! A gőz távozni fog, amikor kinyitja a fedelet vagy a fóliát becsomagolja.
37. A készüléket 8 év fölötti gyermekek, csökkent fizikai, érzékszervi és mentális képességekkel rendelkező, illetve kellő tapasztalattal nem rendelkező személyek, csak felügyelet mellett, illetve akkor használhatják, ha már rendelkeznek a készülék biztonságos használatára és a kockázatokra vonatkozó

tudással. Gyermek ne játsszanak a készülékkel. A tisztítást és a felhasználói karbantartást csak 8 éves vagy annál idősebb gyermekek végezhetik, akiket felügyelet alatt tartanak.

38. Ha füstöt bocsát ki, kapcsolja ki vagy húzza ki a készüléket, és tartsa zárva az ajtót, hogy elnyomja a lángokat.

TELEPÍTÉSI ÚTMUTATÓ

1. Győződjön meg róla, hogy az összes csomagolóanyagot eltávolította az ajtó belsejéből.
2. FIGYELEM: Ellenőrizze a sütőt, hogy nincs-e rajta sérülés, például elferdült vagy meghajlott ajtó, sérült ajtótomítás és tömítőfelület, törött vagy laza ajtópántok és reteszek, valamint horpadások az üregben vagy az ajtón. Ha bármilyen sérülést észlel, ne működtesse a sütőt, és forduljon szakképzett szerviz szakemberhez.
3. Ezt a mikrohullámú sütőt sima, stabil felületre kell helyezni, hogy elbírja a súlyát és a sütőben valószínűleg megsütendő legnehezebb ételeket.
4. Ne helyezze a sütőt olyan helyre, ahol hő, nedvesség vagy magas páratartalom keletkezik, illetve éghető anyagok közelébe.
5. A helyes működéshez a sütőnek megfelelő légáramlással kell rendelkeznie. A sütő felső felülete felett legalább 20 cm szabad helyet kell hagyni, és mindkét oldalon 5 cm-t. A mikrohullámú sütő hátlapját a falhoz közel kell elhelyezni. Ne takarja le és ne zárja el a készülék bármelyik nyílását. Ne távolítsa el a lábakat.
6. Ne működtesse a sütőt anélkül, hogy az üvegtálca, a görgőtartó és a tengely a megfelelő pozícióban lenne.
7. Győződjön meg arról, hogy a tápkábel sértetlen, és nem fut a sütő alatt vagy bármilyen forró vagy éles felületen.
8. A konnektornak könnyen hozzáférhetőnek kell lennie, hogy vészhelyzetben könnyen kihúzható legyen.
9. Ne használja a sütőt a szabadban.

FÖLDELÉSI UTASÍTÁSOK

A készüléket földelni kell. Ez a sütő földelő vezetékkel ellátott vezetékkel van felszerelve, földelő dugóval. A készüléket megfelelően felszerelt és földelt fali csatlakozóaljzatba kell csatlakoztatni. Elektromos rövidzárlat esetén a földelés csökkenti az áramütés kockázatát azáltal, hogy menekülési vezetékkel biztosít az elektromos áram számára. Javasoljuk, hogy csak a sütőt kiszolgáló külön áramkör alakítsanak ki. A nagyfeszültség használata veszélyes, és tűz vagy más, sütő károsodását okozó baleset lehet a következménye.

FIGYELMEZTETÉS--- A földelődugó helytelen használata áramütés veszélyét eredményezheti.

Megjegyzés:

1. Ha bármilyen kérdése van a földeléssel vagy az elektromos utasításokkal kapcsolatban, forduljon szakképzett villanyszerelőhöz vagy szervizelőhöz.

2. Sem a gyártó, sem a kereskedő nem vállal felelősséget a sütőben keletkezett károkért vagy személyi sérülésekért, amelyek az elektromos csatlakoztatási eljárások be nem tartásából erednek.

A kábelhálózat vezetékeinek színe a következő kódnak megfelelően van kialakítva:

Zöld és sárga = FÖLD

Kék = NEUTRÁLIS

Barna = ÉLŐ

RÁDIÓZAVAR

A mikrohullámú sütő működése interferenciát okozhat a rádióban, TV-ben vagy hasonló berendezésekben. Ha interferencia lép fel, az a következő intézkedésekkel csökkenthető vagy kiküszöbölhető:

1. Tisztítsa meg a sütő ajtaját és tömítőfelületét.
2. Állítsa át a rádió vagy televízió vételi antennáját.
3. Helyezze át a mikrohullámú sütőt a vevőegységhez képest.
4. Távolítsa el a mikrohullámú sütőt a vevőtől.
5. Csatlakoztassa a mikrohullámú sütőt egy másik konnektorhoz, hogy a mikrohullámú sütő és a vevőegység különböző áramkörökben legyen.

A SZERVIZ IGÉNYBEVÉTELE ELŐTT

Mielőtt szervizelésre kérne, kérjük, ellenőrizze az alábbi pontokat:

- Ellenőrizze, hogy a sütő biztonságosan be van-e dugva. Ha nem, húzza ki a dugót a konnektorból, várjon 10 másodpercet, majd csatlakoztassa újra biztonságosan.
- Ellenőrizze, hogy nincs-e kiégett biztosíték vagy kioldott főkapcsoló. Ha úgy tűnik, hogy ezek megfelelően működnek, tesztelje a konnektort egy másik készülékkel.
- Ellenőrizze, hogy a vezérlőpanel helyesen van-e programozva és az időzítő be van-e állítva.
- Ellenőrizze, hogy az ajtó biztonságosan zárva van-e, az ajtózárendszer bekapcsolásával. Ha az ajtó nincs megfelelően zárva, a mikrohullámú energia nem áramlik be.

HA A FENTIEK EGYIKE SEM ORVOSOLJA A HELYZETET, AKKOR FORDULJON SZAKKÉPZETT SZAKEMBERHEZ. NE PRÓBÁLJA MEG SAJÁT MAGA BEÁLLÍTANI VAGY MEGJAVÍTANI A SÜTŐT.

FŐZÉSI TECHNIKÁK

1. Gondosan rendezd el az ételeket. A legvastagabb területeket az edény külső része felé helyezze.
2. Figyelje a főzési időt. Főzzük a megadott legrövidebb ideig, és szükség szerint adjunk hozzá még. A súlyosan túlfőtt ételek füstölhetnek vagy meggyulladhatnak.
3. Fedje le az ételeket főzés közben. A fedelek megakadályozzák a szétfröccsenést, és segítik az ételek egyenletes sülését.
4. A mikrohullámú sütés során egyszer fordítsa meg az ételeket, hogy felgyorsítsa az olyan ételek, mint a csirke és a hamburger sütését. Az olyan nagyméretű tárgyakat, mint a sült, legalább egyszer meg kell fordítani.
5. Az ételeket, például a húsgombócokat a sütés felénél rendezzük át mind felülről lefelé, mind pedig az étel közepétől kifelé.

FŐZŐESZKÖZÖK ÚTMUTATÓ

1. A mikrohullám nem hatol át a fémen. Csak olyan edényeket használjon, amelyek alkalmasak mikrohullámú sütőben való használatra. Az ételek és italok fémtartályai nem használhatók mikrohullámú sütés közben. Ez a követelmény nem alkalmazandó, ha a gyártó a mikrohullámú sütésre alkalmas fémtartályok méretét és alakját határozza meg.
2. A mikrohullámú sütő nem képes áthatolni a fémen, ezért fém edényeket vagy fém díszítésű edényeket nem szabad használni.
3. Ne használjon újrahasznosított papírtermékeket mikrohullámú sütéskor, mivel azok kis fémdarabokat tartalmazhatnak, amelyek szikrákat és/vagy tüzet okozhatnak.
4. Inkább kerek/ovális edények, mint szögletes/nyúlványos edények ajánlottak, mivel a sarkokban lévő ételek hajlamosak túlsülni.
5. Keskeny alumíniumfóliacsíkokat lehet használni, hogy megakadályozza a szabadon lévő területek túlsütését. De vigyázzon, ne használjon túl sokat, és tartson 1 hüvelyk (2,54 cm) távolságot a fólia és az üreg között.

Az alábbi lista egy általános útmutató a megfelelő eszközök kiválasztásához.

| Főzőkészlet | Mikrohullám | Grillezés | Kombináció |
|--|-------------|-----------|------------|
| Hőálló üveg | Igen | Igen | Igen |
| Nem hőálló üveg | Sz. | Nem | Nem |
| Hőálló kerámia | Igen | Igen | Igen |
| Mikrohullámú sütőben használható műanyag edény | Igen | Sz. | Nem |
| Konyhai papír | Igen | Sz. | Nem |
| Fém tálca | Sz. | Igen | Sz. |
| Fém állvány | Sz. | Igen | Sz. |
| Alumínium fólia és fóliatartályok | Sz. | Igen | Sz. |

SPECIFIKÁCIÓK

| | |
|---------------------|--|
| Energiafogyasztás | 230-240V~/50Hz 1200 W(mikrohullámú sütő); 900W(grill) |
| Kimenet | 700 W |
| Működési frekvencia | 2450 MHz |
| Külső méretek | 262 mm(H)×452mm(W)×357 mm(D) |
| Sütőtér méretei | 198 mm (magasság) × 315 mm (szélesség) × 297 mm (mélység) |
| Sütő kapacitása | Kompakt 20 literes |
| Nettó tömeg | Kb. 11 kg |

TERMÉKDIAGRAM

1. Ajtó biztonsági
zárendszer

2. SÜTŐABLAK

3. A tengely

4. Görgős gyűrű

5. Vezérlőpanel

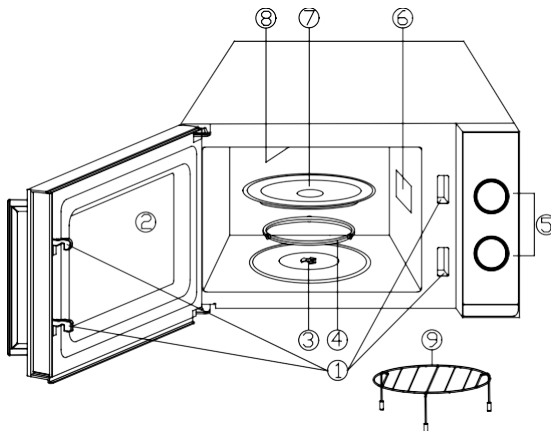
6. Hullámvezető

(Kérjük, ne távolítsa el
a hullámvezetőt fedő
csillámlemezt)

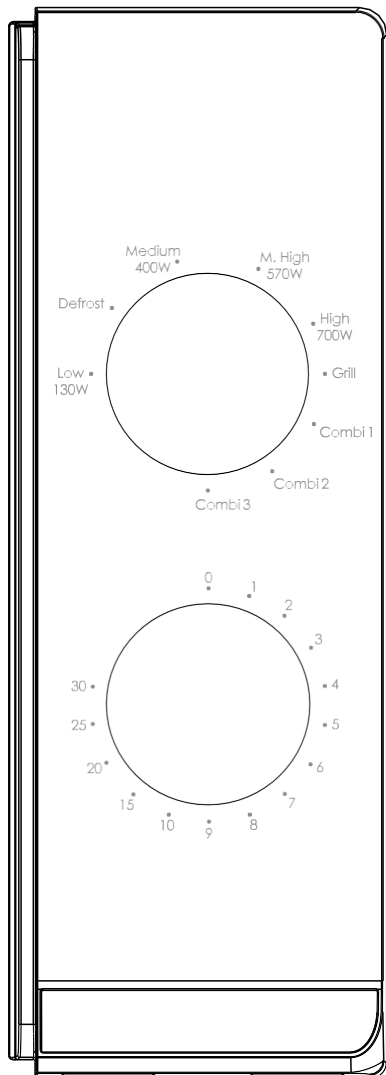
7. Üvegtálca

8. Grillszál

9. Fém állvány



VEZÉRLŐPANEL



A kezelőpanel két funkciókezelőből áll. Az egyik egy időgomb, a másik pedig egy teljesítménygomb.

Teljesítmény/működés választó

Ezt a kezelőgombot a főzési teljesítményszint kiválasztására használja. Ez az első lépés a főzés megkezdéséhez.

Időzítő gomb

Vizuális időzítési beállításokat kínál a hűvelykujja egyszerű elfordításával a kívánt főzési idő kiválasztásához, akár 30 percig főzésenként.

Főzés mikrohullámmal

A tiszta mikrohullámú sütéshez öt teljesítményszint áll rendelkezésre, amelyek közül kiválaszthatja az adott feladat elvégzéséhez legmegfelelőbbet.

A teljesítményszint az óramutató járásával megegyező irányba forgatva növekszik. A teljesítményszintek a következők szerint osztályozhatók:

| Kimenő teljesítmény | Leírás |
|---------------------|--------------|
| 700 W | HIGH (GYORS) |
| 570 W | M.HIGH |
| 400 W | med |
| | Leolvasztás |
| 130 W | LOW |

Grill főzés

Ha a gombot az óramutató járásával megegyező irányba forgatva a legmagasabb mikrohullámú teljesítményszintre állítja a sütőt, a sütő grillfőző funkcióra kapcsol, amely különösen hasznos vékony hússzeletek, steakek, bordák, kebab, kolbászok vagy csirkedarabok készítéséhez. Melegszendvicsek és gratinált ételek készítésére is alkalmas.

Kombinált főzés

Nevéből adódóan ez a főzési művelet egyesíti a mikrohullámú és a grillfőzés teljesítményét. A művelet három szintre van osztva, különböző kombinációs teljesítménybeállításokkal, amint az a következő táblázatból látható. Ezek különösen alkalmasak bizonyos élelmiszerekhez és konyhai műveletekhez. Valamint bizonyos ételek hőn áhított ropogósságának megőrzésére.

A következő táblázat 3 különböző teljesítménybeállítást mutat a kombinált programokhoz.

| Program | Mikrohullámú sütési idő | Grill sütési idő | Alkalmas: |
|---------|-------------------------|------------------|---------------------------------|
| Comb1 | 30 % | 70 % | Hal, burgonya, au gabona |
| Comb2 | 49 % | 51 % | Puding, rántotta, sült burgonya |
| Comb3 | 67 % | 33 % | Baromfihús |

Használati utasítások

A főzés megkezdéséhez,

1. Helyezze az ételt a sütőbe, és zárja be az ajtót.
2. Fordítsa el a teljesítményválasztót a teljesítményszint kiválasztásához.
3. Forgassa el az időzítő gombot a főzési idő beállításához.

MEGJEGYZÉS: Amint az időzítőt elfordítja, a sütő elkezd sütni. Ha 2 percnél rövidebb időt választ, fordítsa az időzítőt 2 percen túlra, majd térjen vissza a megfelelő időre.

VIGYÁZAT: MINDIG VISSZATÁLLÍTTJA AZ IDŐZÍTŐT NULLA ÁLLAPOTBA, ha az ételt a beállított sütési idő lejártá előtt kivesszi a sütőből, vagy ha a sütő nincs használatban. A sütő sütési folyamat közbeni leállításához nyomja meg az ajtókioldó gombot, vagy nyissa ki az ajtót a fogantyúnál fogva.

Tisztítás és ápolás

1. Tisztítás előtt kapcsolja ki a sütőt, és húzza ki a hálózati csatlakozót a fali aljzatból.
2. Tartsa tisztán a sütő belsejét. Ha ételröccsenések vagy kiömlött folyadékok tapadnak a sütő falára, törölje le nedves ruhával. Enyhe mosószer használható, ha a sütő nagyon piszkos. Kerülje a spray és más durva tisztítószeres használatát, mivel ezek foltot hagyhatnak, csíkozhatnak vagy tompíthatják az ajtó felületét.
3. A külső felületeket nedves ruhával kell megtisztítani. A sütő belsejében lévő működtető alkatrészek károsodásának elkerülése érdekében nem szabad megengedni, hogy víz szivároгjon be a szellőzőnyílásokba.
4. Az ajtó és az ablak mindkét oldalát, az ajtótomítéseket és a szomszédos részeket gyakran törölje át nedves ruhával, hogy eltávolítsa a kiömlött folyadékokat vagy röccsenéseket. Ne használjon súrolószeres tisztítószeret.

5. Göztisztítót nem szabad használni.
6. Ne hagyja, hogy a kezelőpanel nedves legyen. Puha, nedves ruhával tisztítsa meg. A kezelőpanel tisztításakor hagyja nyitva a sütő ajtaját, hogy megakadályozza a sütő véletlen bekapcsolását.
7. Ha a sütőajtó belsejében vagy külső oldalán gőz gyűlik össze, törölje le puha ruhával. Ez akkor fordulhat elő, ha a mikrohullámú sütőt magas páratartalom mellett üzemeltetik. És ez normális.
8. Az üvegtálcát időnként ki kell venni tisztítás céljából. Mossa ki a tálcát langyos, lápos vízben vagy mosogatógépben.
9. A görgőgyűrűt és a sütő padlóját rendszeresen tisztítani kell a túlzott zaj elkerülése érdekében. Egyszerűen törölje át a sütő alsó felületét enyhe tisztítószerrel. A görgőgyűrű mosható enyhe szappanos vízben vagy mosogatógépben. Amikor tisztítás céljából eltávolítja a görgőgyűrűt az üregpadról, ügyeljen arra, hogy a megfelelő pozícióban helyezze vissza.
10. Távolítsa el a szagokat a sütőből úgy, hogy egy csésze vizet egy citrom levével és héjával kombinál egy mély, mikrohullámú sütőbe tehető tálban, és 5 percig mikrózza. Alaposan törölje le és szárítsa meg puha ruhával.
11. Ha szükségessé válik a sütőfény cseréje, kérjük, forduljon a kereskedőhöz a cseréhez.
12. A sütőt rendszeresen tisztítani kell, és az esetleges ételmaradékokat el kell távolítani. Ha a sütőt nem tartják tiszta állapotban, az a felület romlásához vezethet, ami hátrányosan befolyásolhatja a készülék élettartamát, és esetleg veszélyes lehet.
13. Kérjük, ne dobja ezt a készüléket a háztartási szemétesbe; az önkormányzat által biztosított speciális hulladékgyűjtő központban kell elhelyezni.
14. A grill funkcióval ellátott mikrohullámú sütő első használatakor enyhe füst és szag keletkezhet. Ez normális jelenség, mivel a sütő kenőolajjal bevont acéllemezből készült, és az új sütő a kenőolaj égése során keletkező füstöt és szagot fog kibocsátani. Ez a jelenség egy bizonyos idő után megszűnik.



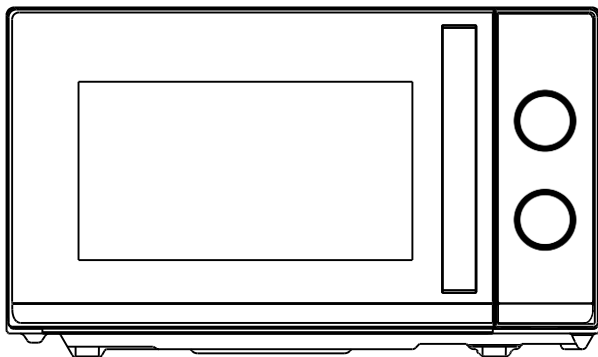
A készüléket az elektromos és elektronikus berendezések hulladékairól szóló, 2013. évi 2012/19/EU európai irányelvnek (WEEE) megfelelően címkézték. Az elektromos és elektronikus berendezések szennyező hatású (a környezetre esetlegesen káros) anyagokat és (újrahasznosítható) nyersanyagokat is tartalmazhatnak. A szennyező anyagok eltávolítása és az anyagok újrahasznosítása érdekében fontos,

hogy az elektromos és elektronikus berendezéseket megfelelően kezeljék. A magánszemélyeknek ebben fontos szerepe lehet, amikor megbizonyosodnak róla, hogy az elektronikai hulladékok nem válnak környezetvédelmi problémává; létfontosságú néhány alapvető szabály betartása:

- Az elektromos és elektronikus berendezések anyagai nem kezelhetők háztartási hulladékként;
- az elektromos és elektronikus berendezéseket a helyi önkormányzat vagy egy nyilvántartott vállalat által kezelt gyűjtőponton szükséges ártalmatlanítani.

A nagyméretű elektromos és elektronikus berendezések esetén sok országban háztartási hulladékgyűjtő pontok állnak rendelkezésre. Új berendezés vásárlásakor az ilyen hulladékot ingyen vissza lehet vinni a kereskedőhöz, mennyiben a régi berendezés ugyanolyan típusú, mint az újonnan vásárolt, és azzal megegyező funkciójú.

Istruzioni per il forno a microonde



Modello: CMG20TNMB

Leggere attentamente queste istruzioni prima di installare e mettere in funzione il forno.

INDICE

| | |
|---|-----------|
| PRECAUZIONI PER EVITARE UNA POSSIBILE ESPOSIZIONE ALL'ECESSIVA ENERGIA DELLE MICROONDE | 3 |
| IMPORTANTI ISTRUZIONI DI SICUREZZA | 3 |
| GUIDA ALL'INSTALLAZIONE | 6 |
| ISTRUZIONI DI MESSA A TERRA | 7 |
| INTERFERENZE RADIO..... | 7 |
| PRIMA DI CONTATTARE IL CENTRO ASSISTENZA | 8 |
| TECNICHE DI COTTURA..... | 8 |
| GUIDA AGLI UTENSILI DA CUCINA | 8 |
| SPECIFICHE..... | 9 |
| SCHEMA DEL PRODOTTO..... | 10 |
| PANNELLO DI CONTROLLO..... | 11 |
| SELETTORE DI POTENZA/AZIONE..... | 11 |
| MANOPOLA TIMER..... | 11 |
| COTTURA A MICROONDE | 11 |
| COTTURA CON GRILL..... | 11 |
| COTTURA COMBINATA..... | 12 |
| ISTRUZIONI PER L'USO | 12 |
| PULIZIA E MANUTENZIONE..... | 13 |

PRECAUZIONI PER EVITARE UNA POSSIBILE ESPOSIZIONE ALL'ECCESSIVA ENERGIA DELLE MICROONDE

1. Non tentare di far funzionare questo forno con lo sportello aperto, poiché il funzionamento a sportello aperto può provocare un'esposizione dannosa all'energia delle microonde. È importante non manomettere gli interblocchi di sicurezza.
2. Non collocare alcun oggetto tra la parte anteriore del forno e lo sportello, né lasciare che residui di sporco o detersivi si accumulino sulle superfici di tenuta.
3. Non azionare il forno se danneggiato. È particolarmente importante che lo sportello del forno si chiuda correttamente e che non vi siano danni a
 - a) Sportello (anche piegato),
 - b) Cerniere e chiusure (rotte o allentate),
 - c) Guarnizioni per sportelli e superfici di tenuta.
4. Il forno non deve essere regolato o riparato da nessuno, ad eccezione del personale di assistenza qualificato.

IMPORTANTI ISTRUZIONI DI SICUREZZA

Quando si utilizzano elettrodomestici è necessario seguire le precauzioni di sicurezza di base, tra cui le seguenti:

AVVERTENZA: Per ridurre il rischio di ustioni, scosse elettriche, incendi, lesioni alle persone o l'esposizione a un'eccessiva energia delle microonde:

1. Leggere tutte le istruzioni prima di utilizzare l'elettrodomestico e conservarle per riferimenti futuri.
2. Utilizzare l'elettrodomestico solo per l'uso previsto come descritto nel presente manuale. Non utilizzare prodotti chimici corrosivi o vapori nell'elettrodomestico. Questo tipo di forno è specificamente progettato per riscaldare, cuocere o essiccare gli alimenti. Non è progettato per uso industriale o di laboratorio.
3. Non azionare il forno quando è vuoto.
4. Non mettere in funzione l'elettrodomestico se ha un cavo o una spina danneggiati, se non funziona correttamente o se è stato danneggiato o è caduto. Se il cavo di alimentazione dell'elettrodomestico dovesse essere danneggiato, farlo sostituire dal produttore, dal suo servizio tecnico o da un tecnico qualificato, per evitare rischi

5. **AVVERTENZA:** Consentire ai bambini di utilizzare il forno senza sorveglianza solo quando sono state date istruzioni adeguate affinché il bambino sia in grado di utilizzare il forno in modo sicuro e comprenda i rischi di un uso improprio.
6. **AVVERTENZA:** Quando l'elettrodomestico viene utilizzato in modalità combinata, i bambini dovrebbero utilizzare il forno solo sotto la supervisione di un adulto a causa delle temperature generate.
7. Per ridurre il rischio di incendio nel vano di cottura:
 - a) Quando si riscaldano alimenti in contenitori di plastica o di carta, tenere sotto controllo il forno per la possibilità di incendi.
 - b) Rimuovere i fili ritorti da sacchetti di carta o di plastica prima di mettere il sacchetto nel forno.
 - c) In presenza di fumo, spegnere l'elettrodomestico o staccarlo dall'alimentazione e mantenere lo sportello chiuso onde soffocare le eventuali fiamme.
 - d) Non utilizzare il vano del forno per la conservazione. Non lasciare prodotti di carta, utensili da cucina o alimenti nel vano del forno quando non è in uso.
 - e) Il forno a microonde è destinato al riscaldamento di alimenti e bevande. L'asciugatura di cuscinetti riscaldanti, pantofole, spugne, panni umidi e simili possono comportare il rischio di lesioni, accensione o incendio.
8. **AVVERTENZA:** I liquidi e altri alimenti non devono essere scaldati in contenitori sigillati poiché potrebbero esplodere.
9. Il riscaldamento a microonde delle bevande può causare un'ebollizione ritardata con proiezioni di liquidi, pertanto è necessario prestare attenzione durante la manipolazione del contenitore.
10. Non friggere alimenti nel forno. L'olio caldo può danneggiare le parti del forno e gli utensili e persino causare ustioni alla pelle.
11. Le uova nel guscio e le uova sode intere non devono essere riscaldate nei forni a microonde, poiché possono esplodere anche dopo la fine del riscaldamento a microonde.
12. Forare gli alimenti con bucce pesanti come patate, zucche intere, mele e castagne prima della cottura.
13. Il contenuto dei biberon e dei vasetti di omogeneizzati deve essere mescolato o agitato e la temperatura deve essere controllata prima di servire per evitare ustioni.
14. Gli utensili da cucina possono surriscaldarsi a causa del calore trasferito dal cibo riscaldato. Per maneggiare l'utensile possono essere necessarie le presine.
15. Gli utensili devono essere controllati per verificare che siano adatti all'uso nel forno a microonde.
16. **AVVERTENZA:** È pericoloso per tutti, ad eccezione del personale addetto, eseguire qualsiasi operazione di manutenzione o di riparazione che implichi la rimozione di qualunque coperchio di protezione contro l'esposizione all'energia microonde.
17. Questo forno a microonde è conforme alla norma EN 55011/CISPR 11; nell'ambito di questa norma appartiene alla classificazione di Classe B Gruppo 2. Apparecchiature del gruppo 2: il gruppo 2 contiene tutte le apparecchiature ISM RF in cui l'energia a radiofrequenza nella gamma di frequenza da 9 kHz a 400 GHz è intenzionalmente generata e utilizzata o utilizzata solo localmente, sotto forma di radiazione elettromagnetica, accoppiamento induttivo e/o capacitivo, per

il trattamento di materiale, per scopi di ispezione/analisi, o per il trasferimento di energia elettromagnetica. Le apparecchiature di classe B sono apparecchiature adatte all'uso in luoghi in ambienti residenziali e in stabilimenti direttamente collegati a una rete di alimentazione a bassa tensione che fornisce edifici utilizzati per scopi domestici.

18. Questo elettrodomestico non è da intendersi adatto all'uso da parte di persone (incluso bambini) con ridotte capacità fisiche, sensoriali o mentali, o prive di esperienza e conoscenza, a meno che siano state supervisionate o istruite riguardo all'uso dell'elettrodomestico da una persona responsabile della loro sicurezza.
19. I bambini devono essere supervisionati per assicurarsi che non giochino con l'elettrodomestico.
20. Il forno a microonde viene utilizzato solo in versione indipendente.
21. **AVVERTENZA:** Non installare il forno sopra un piano di cottura o altri elettrodomestici che producono calore. Se installato potrebbe essere danneggiato e la garanzia sarebbe nulla.
22. Il forno a microonde non deve essere collocato in un mobile.
23. Lo sportello o la superficie esterna può surriscaldarsi quando l'elettrodomestico è in funzione.
24. **Avvertenza:** Durante l'utilizzo le parti accessibili possono diventare calde. I bambini piccoli devono essere mantenuti a distanza.
25. Durante l'uso l'elettrodomestico diventa caldo. Fare attenzione a non toccare le resistenze di riscaldamento all'interno del forno, per i ripiani di cottura e nei forni.
26. La temperatura delle superfici accessibili può essere elevata quando l'elettrodomestico è in funzione.
27. L'elettrodomestico non deve essere utilizzato da bambini o persone con ridotte capacità fisiche, sensoriali o mentali, o con scarsa esperienza e conoscenza, a meno che non siano stati supervisionati o istruiti.
28. **AVVERTENZA:** Se la porta o la guarnizione della porta sono danneggiate, il forno non dev'essere utilizzato fino a quando non è stato riparato da personale competente.
29. Le istruzioni indicano che l'elettrodomestico non è concepito per funzionare con temporizzatori esterni o con sistemi di comando a distanza separati.
30. Il forno a microonde è solo per uso domestico e non per uso commerciale.
31. Non rimuovere mai il distanziatore sul retro o sui lati, in quanto garantisce una distanza minima dalla parete per la circolazione dell'aria.
32. Fissare il piatto rotante prima di spostare l'elettrodomestico per evitare danni.
33. **Attenzione:** È pericoloso fare riparare o sottoporre a manutenzione l'elettrodomestico da personale non specializzato, poiché in queste circostanze è necessario rimuovere la copertura che garantisce la protezione contro le radiazioni a microonde. Questo vale anche per la sostituzione del cavo di alimentazione o dell'illuminazione. In questi casi, inviare l'elettrodomestico al nostro centro di assistenza.
34. Il forno a microonde è destinato esclusivamente allo scongelamento, alla cottura e alla cottura a vapore degli alimenti.
35. Utilizzare i guanti se si rimuovono gli alimenti riscaldati.

36. Attenzione! Il vapore fuoriesce quando si aprono i coperchi o la pellicola avvolgente.
37. L'elettrodomestico può essere utilizzato da bambini di età superiore a 8 anni e da persone con ridotte capacità fisiche, sensoriali o mentali, oppure prive di esperienza e conoscenza, se supervisionate o istruite riguardo all'uso dell'elettrodomestico in sicurezza, e se comprendono i rischi che derivano dall'uso dello stesso. I bambini non devono giocare con l'elettrodomestico. La pulizia o la manutenzione da parte dell'utente non deve essere eseguita da bambini a meno che non abbiano più di 8 anni e siano sorvegliati.
38. In presenza di fumo, spegnere l'elettrodomestico o staccarlo dall'alimentazione e mantenere lo sportello chiuso onde soffocare le eventuali fiamme.

GUIDA ALL'INSTALLAZIONE

1. Assicurarsi che tutti i materiali di imballaggio siano stati rimossi dall'interno dello sportello.
2. **AVVERTENZA:** Controllare che il forno non presenti danni, come porta non allineata o piegata, guarnizioni e superfici di tenuta danneggiate, cerniere e chiusure della porta rotte o allentate e ammaccature all'interno del vano di cottura o sulla porta. In caso di danni, non mettere in funzione il forno e contattare il personale di assistenza qualificato.
3. Questo forno a microonde deve essere posizionato su una superficie piana e stabile per sostenere il suo peso e gli alimenti più pesanti che possono essere cotti all'interno del forno.
4. Non collocare il forno in luoghi in cui si generano calore, umidità, anche elevata, o in prossimità di materiali combustibili.
5. Per un corretto funzionamento, il forno deve avere un flusso d'aria sufficiente. Lasciare almeno 20 cm di spazio libero necessario sopra la superficie superiore del forno e 5 cm su entrambi i lati. La piastra posteriore del forno a microonde deve essere posizionata vicino alla parete. Non coprire o bloccare le aperture dell'elettrodomestico. Non rimuovere i piedini.
6. Non mettere in funzione il forno senza il vassoio in vetro, il supporto a rulli e il perno nella posizione corretta.
7. Accertarsi che il cavo di alimentazione non sia danneggiato e non si trovi sotto il forno o su superfici calde o taglienti.
8. La presa deve essere facilmente accessibile in modo da poter essere facilmente scollegata in caso di emergenza.
9. Non collocare l'elettrodomestico in ambienti esterni.

ISTRUZIONI DI MESSA A TERRA

Questo elettrodomestico deve essere collegato a terra. Questo forno è dotato di un cavo con filo di messa a terra e spina di messa a terra. Deve essere inserito in una presa a muro correttamente installata e messa a terra. In caso di corto circuito elettrico, la messa a terra riduce il rischio di scosse elettriche fornendo un filo di fuga per la corrente elettrica. Si raccomanda di prevedere un circuito separato che serva solo il forno. L'uso di una tensione elevata è pericoloso e può provocare un incendio o altri incidenti che possono causare danni al forno.

AVVERTENZA L'uso non corretto della spina di messa a terra può portare al rischio di scosse elettriche.

Nota:

1. In caso di domande sulla messa a terra o sulle istruzioni elettriche, consultare un elettricista qualificato o un tecnico dell'assistenza.
2. Né il produttore né il rivenditore si assumono alcuna responsabilità per danni al forno o lesioni personali derivanti dalla mancata osservanza delle procedure di collegamento elettrico.

I fili di questo cavo principale sono colorati secondo il seguente codice:

Verde e giallo = TERRA

Blu = NEUTRO

Marrone- ALIMENTAZIONE

INTERFERENZE RADIO

Il funzionamento del forno a microonde può causare interferenze con la radio, la TV o apparecchiature simili. In presenza di interferenze, queste possono essere ridotte o eliminate adottando le seguenti precauzioni:

1. Pulire lo sportello e la superficie di tenuta del forno.
2. Orientare nuovamente l'antenna di ricezione della radio o della televisione.
3. Riposizionare il forno a microonde rispetto al ricevitore.
4. Allontanare il forno a microonde dal ricevitore.
5. Collegare il forno a microonde ad una presa diversa in modo che il forno a microonde e il ricevitore si trovino su circuiti di derivazione diversi.

PRIMA DI CONTATTARE IL CENTRO ASSISTENZA

Prima di chiamare l'assistenza, controllare ciascuna delle voci sotto riportate:

- Controllare che il forno sia collegato perfettamente. In caso contrario, rimuovere la spina dalla presa, attendere 10 secondi e reinserirla a fondo.
- Controllare la presenza di un fusibile bruciato o di un salvamotore scattato. Se tutto sembra funzionare correttamente, provare la presa di corrente con un altro elettrodomestico.
- Verificare che il pannello di controllo sia programmato correttamente e che il timer sia impostato.
- Verificare che lo sportello sia chiuso saldamente innestando il sistema di blocco dello sportello. Se lo sportello non è chiuso correttamente, l'energia del microonde non fluisce all'interno.

SE NESSUNO DI QUESTI INTERVENTI RISOLVE LA SITUAZIONE, CONTATTARE UN TECNICO QUALIFICATO. NON CERCARE DI REGOLARE O RIPARARE IL FORNO DA SOLI.

TECNICHE DI COTTURA

1. Disporre gli alimenti con cura. Posizionare le parti più spesse verso l'esterno del piatto.
2. Controllare l'orario di cottura. Cuocere per il minor tempo indicato e aggiungere ulteriore tempo se necessario. Gli alimenti molto cotti possono produrre fumo o infiammarsi.
3. Coprire gli alimenti durante la cottura. Le coperture prevengono gli schizzi e aiutano la cottura uniforme degli alimenti.
4. Girare gli alimenti una volta durante la cottura a microonde per velocizzare la cottura di alimenti come pollo e hamburger. Alimenti di grandi dimensioni come gli arrostiti devono essere capovolti almeno una volta.
5. Girare gli alimenti come le polpette a metà cottura sia dall'alto verso il basso che dal centro del piatto verso l'esterno.

GUIDA AGLI UTENSILI DA CUCINA

1. Le microonde non possono penetrare il metallo. Utilizzare solo utensili adatti per l'uso nei forni a microonde. Non sono ammessi contenitori metallici per alimenti e bevande durante la cottura a microonde. Questo requisito non è applicabile se il

produttore specifica le dimensioni e la forma dei contenitori metallici adatti alla cottura a microonde.

2. Le microonde non possono penetrare nel metallo, quindi non si devono usare utensili o stoviglie in metallo con finiture metalliche.
3. Non utilizzare prodotti di carta riciclata per la cottura a microonde, in quanto possono contenere piccoli frammenti metallici che possono causare scintille e/o incendi.
4. Si consigliano piatti rotondi/ovalii piuttosto che quadrati/oblunghi, dato che il cibo negli angoli tende a cuocere eccessivamente.
5. È possibile utilizzare strisce strette di foglio di alluminio per evitare il surriscaldamento delle aree esposte. Prestare attenzione a non usarne troppo e mantenere una distanza di 2,54 cm (1 pollice) tra il foglio e il vano cottura.

L'elenco che segue è una guida generale per aiutarvi a selezionare gli utensili corretti.

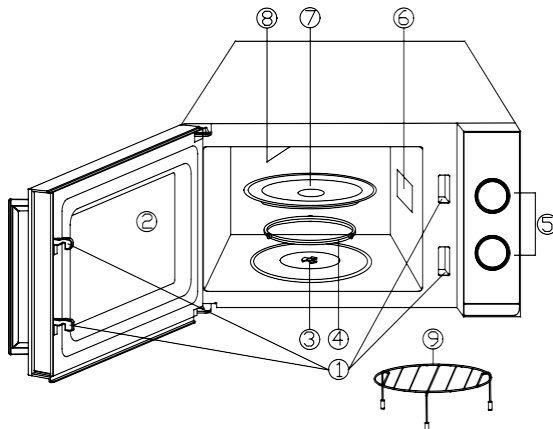
| Tipi di pentole | Micro | Grill | Cottura combinata |
|--|-------|-------|-------------------|
| Vetro termoresistente | Sì | Sì | Sì |
| Vetro non termoresistente | No | No | No |
| Ceramica termoresistente | Sì | Sì | Sì |
| Piatto di plastica adatto al microonde | Sì | No | No |
| Carta da cucina | Sì | No | No |
| Vassoio in metallo | No | Sì | No |
| Ripiano in metallo | No | Sì | No |
| Pellicola di alluminio e contenitori in pellicola di alluminio | No | Sì | No |

SPECIFICHE

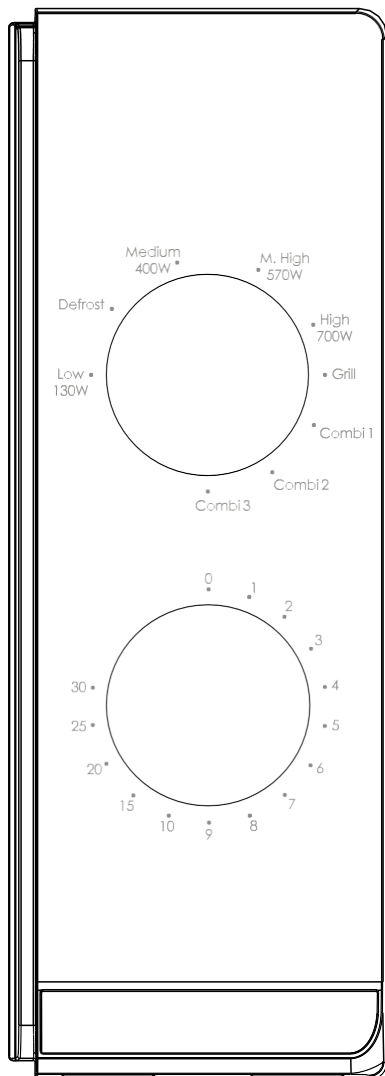
| | |
|-----------------------------|--|
| Potenza assorbita: | 230-240 V~/50 Hz 1200 W (Microonde); 900W (Grill) |
| Output | 700 W |
| Frequenza di funzionamento | 2450 MHz |
| Dimensioni esterne | 262 mm(H)×452mm(W)×357 mm(D) |
| Dimensioni del vano cottura | 198 mm(H)×315 mm(W)×297 mm(D) |
| Capacità forno | Compatto 20 litri |
| Peso netto | Circa 11 kg |

SCHEMA DEL PRODOTTO

1. Sistema di blocco di sicurezza porta
 2. Finestra del forno
 3. Perno
 4. Anello a rulli
 5. Pannello di controllo
 6. Guida onde
 7. Vassoio in vetro
 8. Riscaldatore Grill
 9. Ripiano in metallo
- (Si prega di non rimuovere la piastra di mica che copre la guida d'onda)



PANNELLO DI CONTROLLO



Il pannello di controllo è composto da due operatori di funzione. Una è una manopola del tempo e l'altra una manopola della potenza.

Selettore di potenza/azione

Si usa questa manopola operatore per scegliere un livello di potenza di cottura. È il primo passo per iniziare una sessione di cucina.

Manopola Timer

Offre impostazioni visive di temporizzazione con un semplice giro del pollice per selezionare un tempo di cottura desiderato fino a 30 minuti per sessione di cottura.

Cottura a microonde

Per la pura cottura a microonde, ci sono cinque livelli di potenza tra cui scegliere quello più adatto a fare il lavoro in questione. Il livello di potenza aumenta con la rotazione della manopola in senso orario. I livelli di potenza possono essere classificati come segue:

| Potenza di Uscita | Descrizione |
|-------------------|---------------|
| 700 W | CONSEGNA |
| 570W | M.ALTA |
| 400W | MED |
| | SCONGELAMENTO |
| 130W | BASSA |

Cottura con Grill

Con la manopola che gira in senso orario passando al massimo livello di potenza delle microonde, il forno passa alla funzione di cottura al grill che è particolarmente utile per fette di carne sottili, bistecche, costolette, spiedini, salsicce o pezzi di pollo. È anche adatto per cucinare panini caldi e piatti gratinati.

Cottura combinata

Per il suo nome, questa operazione di cottura combina la potenza delle microonde con quella della cottura al grill. Il funzionamento è categorizzato in tre livelli con diverse impostazioni di potenza di combinazione, come si può vedere dalla tabella seguente. Questi sono particolarmente adatti per certi alimenti e operazioni culinarie. Così come per mantenere la tanto desiderata croccantezza di certi alimenti.

La seguente tabella mostra 3 diverse impostazioni di potenza per i programmi combinati.

| Programma | Tempo di cottura al microonde | Tempo di cottura della griglia | Adatti per |
|-----------|-------------------------------|--------------------------------|-----------------------------------|
| Comb1 | 30%30% | 70% | Pesce, patate, cereali |
| Comb2 | 49%49% | 51% | Budino, omelette, patate al forno |
| Comb3 | 67%67% | 33% | Pollame |

ISTRUZIONI PER L'USO

Per iniziare una sessione di cucina,

1. Mettere il cibo nel forno e chiudere la porta.
2. Ruotare il selettore di potenza per selezionare un livello di potenza.
3. Girare la manopola Timer per impostare un tempo di cottura.

NOTA: Non appena il timer viene girato, il forno inizia a cuocere. Quando si seleziona il tempo per meno di 2 minuti, girare il timer oltre i 2 minuti e poi tornare al tempo corretto.

PRECAUZIONE: RIPORTARE SEMPRE IL TIMER IN POSIZIONE ZERO se il cibo viene rimosso dal forno prima che il tempo di cottura impostato sia completato o quando il forno non è in uso. Per fermare il forno durante il processo di cottura, premere il pulsante di rilascio dello sportello o aprire lo sportello dalla maniglia.

PULIZIA E MANUTENZIONE

1. Spegnerne il forno e togliere la spina di alimentazione dalla presa a muro prima della pulizia.
2. Pulizia all'interno del vano cottura. Quando schizzi di alimenti o liquidi versati aderiscono alle pareti del forno, strofinare con un panno umido. Se il forno è molto sporco, è possibile utilizzare un detergente delicato. Evitare l'uso di spray e altri detersivi aggressivi in quanto possono macchiare, striare o opacizzare la superficie della porta.
3. Le superfici esterne devono essere pulite con un panno umido. Per evitare danni alle parti operative all'interno del forno, non lasciare che l'acqua penetri nelle aperture di ventilazione.
4. Pulire lo sportello e il vetro su entrambi i lati, le guarnizioni dello sportello e le parti adiacenti frequentemente con un panno umido per rimuovere eventuali fuoriuscite o spruzzi. Non utilizzare detersivi aggressivi.
5. Si sconsiglia l'utilizzo di una pulitrice a vapore.
6. Non lasciare che il pannello di controllo si bagni. Pulire con un panno morbido e umido. Durante la pulizia del pannello di controllo, lasciare lo sportello del forno aperto per evitare che il forno si accenda accidentalmente.
7. Se il vapore si accumula all'interno o all'esterno dello sportello del forno, strofinare con un panno morbido. Ciò può verificarsi quando il forno a microonde viene utilizzato in condizioni di elevata umidità. Tutto questo è normale.
8. Occasionalmente è necessario rimuovere il vassoio in vetro per la pulizia. Lavare il vassoio in acqua tiepida insaponata o in lavastoviglie.
9. L'anello a rulli e il fondo del forno devono essere puliti regolarmente per evitare rumori eccessivi. Pulire semplicemente la superficie inferiore del forno con un detergente delicato. L'anello a rullini può essere lavato in acqua tiepida insaponata o in lavastoviglie. Quando si rimuove l'anello a rullini dal fondo del vano di cottura per la pulizia, assicurarsi di riposizionarlo nella posizione corretta.
10. Rimuovere gli odori dal forno mescolando una tazza d'acqua con il succo e la buccia di un limone in una ciotola profonda adatta per microonde, e riscaldandola per 5 minuti. Risciacquare accuratamente e asciugare con un panno morbido.
11. Quando si rende necessaria la sostituzione della lampada del forno, consultare un rivenditore per la sua sostituzione.
12. Il forno deve essere pulito regolarmente e gli eventuali depositi di alimenti devono essere rimossi. La mancata conservazione del forno in condizioni di pulizia può portare ad un deterioramento della superficie che potrebbe compromettere la vita dell'elettrodomestico e causare una situazione di pericolo.
13. Non gettare l'elettrodomestico nel cestino dei rifiuti domestici; deve essere smaltito in un apposito centro di smaltimento messo a disposizione dai comuni.
14. Quando il forno a microonde con funzione grill viene utilizzato per la prima volta, può produrre un leggero fumo e odore. Si tratta di un fenomeno normale perché il forno è costituito da una piastra di acciaio rivestita di olio lubrificante e il forno nuovo produrrà fumi e odori generati dalla combustione dell'olio lubrificante. Questo fenomeno scomparirà dopo un periodo di utilizzo.



Questo apparecchio è etichettato in conformità alla direttiva europea 2012/19/UE sui rifiuti di apparecchiature elettriche ed elettroniche (Waste Electrical and Electronic Equipment Regulations 2013) per quanto riguarda le apparecchiature elettriche ed elettroniche (WEEE). I RAEE contengono sia sostanze inquinanti (che possono avere un effetto negativo sull'ambiente) sia elementi base (che possono essere riutilizzati). È

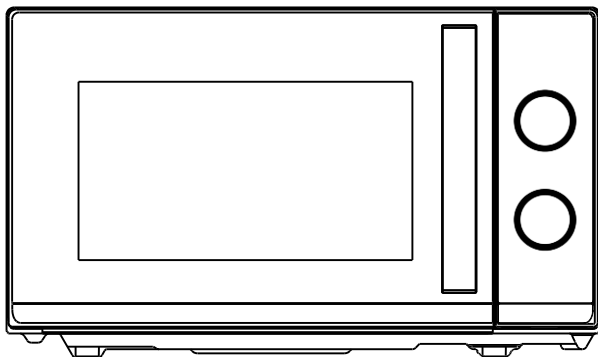
importante che i RAEE siano sottoposti a trattamenti specifici in modo da togliere e smaltire in modo corretto gli inquinanti e recuperare tutti i materiali. Spetta ai singoli individui garantire che i RAEE non diventino un problema a livello ambientale.

Esistono alcune regole specifiche da rispettare:

- i RAEE non devono essere trattati come rifiuti domestici;
- i RAEE devono essere portati nelle aree di smaltimento specifiche, gestite dai comuni o da società autorizzate.

In molti stati, nel caso di RAEE di grandi dimensioni sono disponibili servizi di prelievo a domicilio. Nel caso di acquisto di un nuovo elettrodomestico, quello vecchio può essere restituito al venditore che lo deve accettare gratuitamente in un'unica soluzione, a condizione che l'elettrodomestico sia di tipo simile ed abbia le stesse funzioni di quello acquistato.

Instruções do forno de microondas



Modelo: CMG20TNMB

Leia atentamente estas instruções antes de instalar e operar o forno.

CONTEÚDOS

| | |
|---|-----------|
| PRECAUÇÕES PARA EVITAR POSSÍVEIS EXPOSIÇÕES À ENERGIA EXCESSIVA DE MICRO-ONDAS | 3 |
| SEGURANÇA IMPORTANTE INSTRUÇÕES | 3 |
| GUIA DE INSTALAÇÃO..... | 6 |
| INSTRUÇÕES DE ATERRAMENTO..... | 7 |
| INTERFERÊNCIAS ELECTROMAGNÉTICAS..... | 7 |
| ANTES DE CHAMAR AO SERVIÇO..... | 8 |
| TÉCNICAS DE COZEDURA | 8 |
| GUIA DE UTENSÍLIOS DE COZINHA | 8 |
| ESPECIFICAÇÕES | 9 |
| DIAGRAMA DO PRODUTO..... | 10 |
| PAINEL DE CONTROLO | 11 |
| SELECTOR DE POTÊNCIA/ACÇÃO | 11 |
| BOTÃO DO TEMPORIZADOR | 11 |
| COZINHAR NO MICRO-ONDAS | 11 |
| MODO DE COZEDURA COM GRELHADOR | 11 |
| COZINHA COMBINADA..... | 12 |
| INSTRUÇÕES DE FUNCIONAMENTO | 12 |
| LIMPEZA E MANUTENÇÃO..... | 13 |

PRECAUÇÕES PARA EVITAR POSSÍVEIS EXPOSIÇÕES À ENERGIA EXCESSIVA DE MICRO-ONDAS

1. Não tente operar este forno com a porta aberta, pois o funcionamento de porta aberta pode resultar em exposição nociva à energia de microondas. É importante não derrotar ou adulterar as travas de segurança.
2. Não colocar nenhum objeto entre a face frontal do forno e a porta ou permitir que se acumulem resíduos nas superfícies vedantes.
3. Não operar o forno se este estiver danificado. É muito importante que a porta do forno se feche correctamente e que não haja danos para a
 - a) Porta (incluindo qualquer dobra),
 - b) Dobradiças e fechos (quebrados ou afrouxados),
 - c) Selagem de portas e superfícies de selagem.
4. O forno não deve ser ajustado ou reparado por ninguém, excepto por pessoal de serviço qualificado.

SEGURANÇA IMPORTANTE INSTRUÇÕES

Ao utilizar aparelhos eléctricos devem ser seguidas as precauções básicas de segurança, incluindo as seguintes:

AVISO: Para reduzir o risco de queimaduras, choque eléctrico, incêndio, ferimentos em pessoas ou exposição a energia excessiva de microondas:

1. Leia todas as instruções antes de utilizar o aparelho e guarde-as para referência futura.
2. Utilize este aparelho apenas para o uso pretendido, conforme descrito neste manual. Nunca utilize produtos corrosivos neste forno, nem permita que ele seja exposto a vapores de produtos corrosivos. Este tipo de forno é especificamente concebido para aquecer, cozinhar ou secar alimentos. Ele não foi concebido para uma utilização industrial nem laboratorial.
3. NUNCA utilize o forno quando este estiver vazio.
4. Não operar este aparelho se tiver um cabo ou ficha danificados, se não estiver a funcionar correctamente ou se tiver sido danificado ou caído. Se o cabo de alimentação estiver danificado, deve ser substituído pelo fabricante, pelo seu agente de serviço ou por pessoa qualificada, para evitar perigo.

5. AVISO: Só deve permitir que o forno seja utilizado por crianças sem supervisão por um adulto depois de se ter certificado de que aprenderam a utilizar devidamente o forno e de que estão conscientes dos perigos inerentes a uma utilização incorrecta do mesmo.
6. Aviso: Quando o aparelho é operado no modo combinado, as crianças só devem utilizar o forno sob a supervisão de um adulto devido às temperaturas geradas.
7. Para reduzir o risco de incêndio na cavidade do forno:
 - a) Ao aquecer alimentos em recipientes de plástico ou papel, vigiar o forno devido à possibilidade de inflamação;
 - b) Remover os cordões de arame dos sacos de papel ou plástico antes de colocar o saco no forno.
 - c) Se fizer fumo, desligar o aparelho e manter a porta fechada para abafar algumas chamas.
 - d) Não utilizar a cavidade para fins de armazenamento. Não deixar produtos de papel, utensílios de cozinha ou alimentos na cavidade quando não estiverem a ser utilizados.
 - e) O forno de microondas destina-se ao aquecimento de alimentos e bebidas. A secagem do vestuário e o aquecimento das almofadas de aquecimento, chinelos, esponjas, pano húmido e similares podem levar ao risco de ferimentos, ignição ou fogo.
8. AVISO: Os alimentos líquidos ou outros alimentos não devem ser aquecidos em recipientes selados, uma vez que são susceptíveis de explodir.
9. O aquecimento por microondas de bebidas pode resultar numa ebulição eruptiva retardada, pelo que se deve ter cuidado ao manusear o recipiente.
10. Não fritar os alimentos no forno. O óleo quente pode danificar partes do forno e utensílios e até resultar em queimaduras na pele.
11. Nunca cozinhe ovos com casca nem aqueça ovos cozidos inteiros no forno microondas, pois corre o risco de eles explodirem depois de o forno se desligar.
12. Perfurar alimentos com peles pesadas, tais como batatas, abóboras inteiras, maçãs e castanhas antes de cozinhar.
13. O conteúdo dos biberões e dos biberões deve ser mexido ou abanado e a temperatura deve ser verificada antes de servir, a fim de evitar queimaduras.
14. Os utensílios de cozinha podem ficar quentes por causa do calor transferido dos alimentos aquecidos. Podem ser necessários porta-objectos para manusear o utensílio.
15. Os utensílios devem ser verificados para garantir que são adequados para utilização em fornos de microondas.
16. AVISO: É perigoso para qualquer pessoa que não seja uma pessoa treinada realizar qualquer serviço ou operação de reparação que envolva a remoção de qualquer cobertura que dê protecção contra a exposição à energia de microondas.
17. Esta Microonda cumpre a norma EN 55011/CISPR 11, nesta norma pertence à classificação da Classe B Grupo 2. Equipamento do grupo 2: O grupo 2 contém todo o equipamento ISM RF em que a energia de radiofrequência na gama de frequências de 9 kHz a 400 GHz é intencionalmente gerada e utilizada ou apenas utilizada localmente, sob a forma de radiação electromagnética, acoplamento indutivo e/ou capacitivo, para o tratamento de material, para fins de

inspecção/análise, ou para transferência de energia electromagnética O equipamento da classe B é equipamento adequado para utilização em locais em ambientes residenciais e em estabelecimentos directamente ligados a uma rede de fornecimento de energia de baixa tensão que abastece edifícios utilizados para fins domésticos.

18. Este aparelho não se destina a ser utilizado por pessoas (incluindo crianças) com capacidades físicas, sensoriais ou mentais reduzidas, ou falta de experiência e conhecimento, exceto se tiverem recebido instruções relativas à utilização do mesmo por uma pessoa responsável pela sua segurança.
19. As crianças devem ser supervisionadas para garantir que não brincam com o equipamento.
20. O forno de microondas só é utilizado em regime de livre utilização.
21. AVISO: Não instalar o forno sobre um fogão de gama ou outro aparelho produtor de calor. Se instalada poderia ser danificada e a garantia seria evitada.
22. O forno de microondas não deve ser colocado num armário.
23. A porta ou a superfície exterior pode ficar quente quando o aparelho está a funcionar.
24. Aviso: As partes acessíveis podem ficar quentes durante o uso. As crianças pequenas devem ser mantidas afastadas.
25. Durante a utilização, o aparelho fica quente. Deve-se ter o cuidado de evitar tocar nos elementos de aquecimento no interior do forno, para cozer ao ar livre e fornos.
26. A temperatura das superfícies acessíveis pode ser elevada quando o aparelho está em funcionamento.
27. O aparelho não deve ser usado por crianças ou pessoas com capacidades físicas, sensoriais ou mentais reduzidas, ou com falta de experiência e conhecimento, a menos que tenham recebido supervisão ou instruções.
28. AVISO: Se a porta ou a vedação da porta estiverem danificadas, o microondas não pode ser utilizado até à sua reparação por uma pessoa competente.
29. As instruções devem indicar que os aparelhos não se destinam a ser operados por meio de um temporizador externo ou de um sistema de controlo remoto separado.
30. O forno de microondas é apenas para uso doméstico e não para uso comercial.
31. Nunca remover o suporte de distância na parte de trás ou nos lados, pois garante uma distância mínima da parede para a circulação de ar.
32. Por favor, prenda o prato antes de mover o aparelho para evitar danos.
33. Cuidado: É perigoso reparar ou manter o aparelho apenas por um especialista, porque nestas circunstâncias a cobertura tem de ser removida, o que assegura a protecção contra a radiação de microondas. Isto aplica-se também à mudança do cabo de alimentação ou da iluminação. Enviar o aparelho nestes casos para o nosso centro de serviços.
34. O forno de microondas destina-se apenas à descongelação, cozedura e estufagem de alimentos.
35. Usar luvas se remover qualquer alimento aquecido.
36. Cuidado! O vapor escapará, ao abrir as tampas ou ao embrulhar a folha.

37. Este equipamento pode ser usado por crianças a partir dos 8 anos de idade e por pessoas com incapacidade física, sensorial ou mental, ou sem experiência e conhecimentos para o fazer, desde que supervisionadas ou devidamente orientadas relativamente ao uso seguro do equipamento e sobre os perigos envolvidos. As crianças não podem brincar com o equipamento. A limpeza e a manutenção não devem ser efetuadas por crianças, a não ser que tenham mais de 8 anos e que sejam supervisionadas.
38. Se fizer fumo, desligar o aparelho e manter a porta fechada para abafar algumas chamas.

GUIA DE INSTALAÇÃO

1. Certificar-se de que todos os materiais de embalagem são removidos do interior da porta.
2. AVISO: Verificar o forno quanto a quaisquer danos, tais como portas desalinhasadas ou dobradas, vedações de portas e superfície de vedação danificadas, dobradiças de portas partidas ou soltas e fechos e amolgadelas no interior da cavidade ou na porta. Se houver algum dano, não operar o forno e contactar pessoal de serviço qualificado.
3. Este forno microondas deve ser colocado sobre uma superfície plana e estável para manter o seu peso e os alimentos mais pesados susceptíveis de serem cozinhados no forno.
4. Não colocar o forno onde é gerado calor, humidade ou humidade elevada, ou perto de materiais combustíveis.
5. Para um funcionamento correcto, o forno deve ter fluxo de ar suficiente. Permitir um mínimo de 20cm de espaço livre necessário acima da superfície superior do forno e 5cm em ambos os lados. A placa traseira do forno microondas deve ser colocada perto da parede. Não cubra nem bloqueie quaisquer aberturas no aparelho. Não retirar os pés.
6. Não operar o forno sem bandeja de vidro, suporte de rolos, e eixo nas suas posições adequadas.
7. Certifique-se de que o cabo de alimentação não está danificado e não corre sob o forno ou sobre qualquer superfície quente ou afiada.
8. A tomada deve ser facilmente acessível para que possa ser facilmente desconectada em caso de emergência.
9. Não utilizar o forno ao ar livre.

INSTRUÇÕES DE ATERRAMENTO

Este aparelho deve ser ligado à terra. Este forno está equipado com um cordão com um fio de aterramento com uma ficha de aterramento. Deve ser ligado a um recipiente de parede devidamente instalado e ligado à terra. No caso de um curto-circuito, a ligação à terra reduz o risco de choque eléctrico ao fornecer um fio de fuga para a corrente eléctrica. Recomenda-se que seja fornecido um circuito separado que sirva apenas o forno. A utilização de alta voltagem é perigosa e pode resultar num incêndio ou outro acidente causando danos no forno.

ADVERTÊNCIA--- A utilização inadequada da ficha de ligação à terra pode resultar num risco de choque eléctrico.

Nota:

1. Se tiver quaisquer perguntas sobre a ligação à terra ou instruções eléctricas, consulte um electricista qualificado ou uma pessoa de serviço.
2. Nem o fabricante nem o revendedor podem aceitar qualquer responsabilidade por danos no forno ou ferimentos pessoais resultantes da não observância dos procedimentos de ligação eléctrica.

Os fios neste cabo principal são coloridos de acordo com o seguinte código: Verde e amarelo TERRA

Azul = Neutro

Marrom = Vivo

INTERFERÊNCIAS ELECTROMAGNÉTICAS

O funcionamento do forno de microondas pode causar interferências no seu rádio, televisão ou equipamento semelhante. Quando há interferência, esta pode ser reduzida ou eliminada através da adopção das seguintes medidas:

1. Limpar a porta e a superfície de vedação do forno.
2. Reorientar a antena de recepção de rádio ou televisão.
3. Mudar a localização do forno de microondas em relação ao receptor.
4. Afastar o forno de microondas do receptor.
5. Ligar o forno de microondas a uma tomada diferente para que o forno de microondas e o receptor estejam em circuitos de ramificação diferentes.

ANTES DE CHAMAR AO SERVIÇO

Antes de pedir o serviço, por favor verifique cada item abaixo:

- Verificar se o forno está ligado com segurança. Caso contrário, remover a ficha da tomada, esperar 10 segundos, e ligá-la novamente em segurança.
- Verificar se há um fusível queimado ou um disjuntor principal activado. Se estes parecerem estar a funcionar correctamente, testar a tomada com outro aparelho.
- Verificar se o painel de controlo está programado correctamente e se o temporizador está definido.
- Verificar se a porta está bem fechada, encaixando o sistema de fecho da porta. Se a porta não estiver devidamente fechada, a energia do microondas não fluirá para dentro.

SE NENHUMA DAS SITUAÇÕES ACIMA REFERIDAS RECTIFICAR A SITUAÇÃO, ENTÃO CONTACTAR UM TÉCNICO QUALIFICADO. NÃO TENDE AJUSTAR OU REPARAR O FORNO VOCÊ MESMO.

TÉCNICAS DE COZEDURA

1. Organizar cuidadosamente os alimentos. Colocar as áreas mais espessas em direcção ao exterior do prato.
2. Observar o tempo de cozedura. Cozinhar durante o menor período de tempo indicado e adicionar mais conforme necessário. Os alimentos muito cozinhados podem fumar ou incendiar-se.
3. Cobrir os alimentos enquanto cozinham. As coberturas evitam salpicos e ajudam os alimentos a cozinhar de forma homogénea.
4. Virar os alimentos uma vez durante a cozedura no microondas para acelerar a cozedura de alimentos como o frango e os hambúrgueres. Grandes itens como assados devem ser virados pelo menos uma vez.
5. Reorganizar alimentos tais como almôndegas a meio caminho da cozedura tanto de cima para baixo como do centro do prato para o exterior.

GUIA DE UTENSÍLIOS DE COZINHA

1. As micro-ondas não conseguem penetrar o metal. Utilizar apenas utensílios adequados para utilização em fornos de microondas. Os recipientes metálicos para alimentos e bebidas não são permitidos durante a cozedura no microondas. Este requisito não é aplicável se o fabricante especificar o tamanho e a forma dos recipientes metálicos adequados para cozinhar no microondas.
2. As microondas não podem penetrar o metal, pelo que não devem ser utilizados utensílios metálicos ou pratos com guarnições metálicas.

3. Não utilizar produtos de papel reciclado ao cozinhar no microondas, pois podem conter pequenos fragmentos de metal que podem causar faíscas e/ou incêndios.
4. Recomenda-se pratos redondos/ovais em vez de quadrados/oblongos, uma vez que a comida nos cantos tende a cozer em demasia.
5. Tiras estreitas de folha de alumínio podem ser usadas para evitar a cozedura excessiva de áreas expostas. Mas tenha cuidado, não use demasiado e mantenha uma distância de 2,54cm (1 polegada) entre a folha e a cavidade.

A lista abaixo é um guia geral para o ajudar a seleccionar os utensílios correctos.

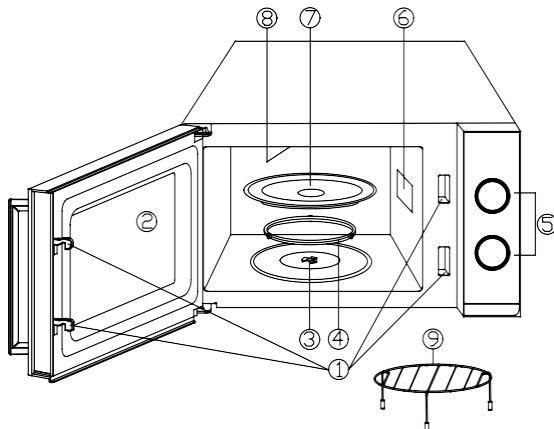
| Utensílios de cozinha | Micro-ondas | Grill | Combinação |
|--|-------------|-------|------------|
| Vidro Resistente ao Calor | Sim | Sim | Sim |
| Vidro não resistente ao calor | Não | Não | Não |
| Cerâmica resistente ao calor | Sim | Sim | Sim |
| Prato de Plástico Micro-Ondas-Safe | Sim | Não | Não |
| Papel de cozinha | Sim | Não | Não |
| Bandeja metálica | Não | Sim | Não |
| Bastidor metálico | Não | Sim | Não |
| Folha de Alumínio e Recipientes de Folha de Alumínio | Não | Sim | Não |

ESPECIFICAÇÕES

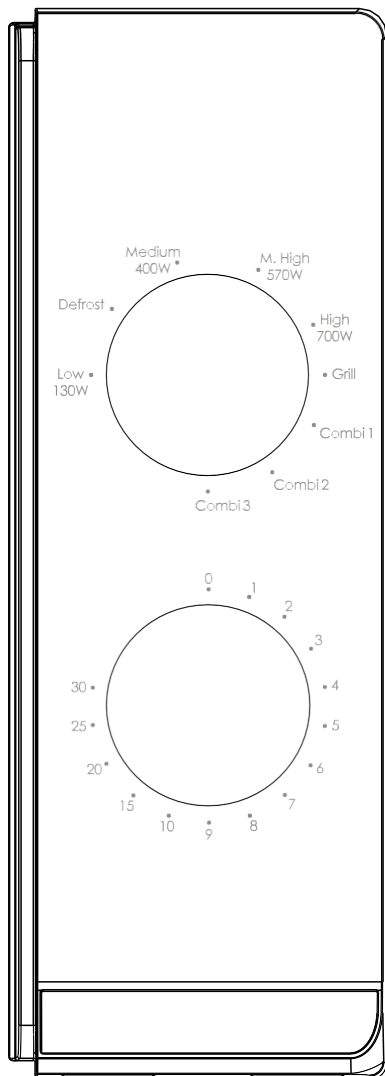
| | |
|---------------------------------|---|
| Consumo de Energia | 230-240V~/50Hz 1200 W(Microondas); 900W(Grill) |
| Resultado | 700 W |
| Frequência de operação | 2450MHz |
| Dimensões externas: | 262 mm(A)×452mm(L)×357 mm(P) |
| Dimensões do interior do forno: | 198 mm(A)×315 mm(L)×297 mm(P) |
| Capacidade do Forno: | Compacto 20 litros |
| Peso Líquido: | Aprox.11 kg |

DIAGRAMA DO PRODUTO

1. Sistema de Fecho de Segurança de Portas
2. Janela do forno
3. Eixo
4. Anel de rolete
5. Painel de controlo
6. guia de ondas
- (Por favor não remova a placa de mica que cobre a guia de ondas)
7. Bandeja em vidro
8. Resistência do grelhador:
9. Bastidor metálico



PAINEL DE CONTROLO



O painel de controlo é composto por dois operadores de funções. Um é um botão de tempo, e o outro um botão de energia.

Selector de potência/acção

Este botão do operador é utilizado para escolher um nível de potência de cozedura. É o primeiro passo para iniciar uma sessão de culinária.

Botão do temporizador

Oferecer definições visuais do tempo de cozedura com um giro fácil do polegar para seleccionar um tempo de cozedura desejado até 30 minutos por sessão de cozedura.

Cozinhar no micro-ondas

Para cozinhar no microondas puro, existem cinco níveis de potência a partir dos quais se pode escolher um como melhor ajuste para fazer o trabalho em mãos.

O nível de potência aumenta com o botão a rodar no sentido dos ponteiros do relógio. Os níveis de potência podem ser classificados como os seguintes:

| potência debitada | Descrição |
|-------------------|-------------|
| 700 W | ALTA |
| 570 W | M.ELEVADO |
| 400 W | MED |
| | Descongelar |
| 130 W | BAIXA |

Modo de cozedura com grelhador

Com o botão girando no sentido dos ponteiros do relógio passando o nível mais alto de potência de microondas, o forno chega à função de cozinhar na grelha, que é particularmente útil para fatias finas de carne, bifés, costeletas, espetadas, salsichas ou pedaços de frango. É também adequado para cozinhar sanduíches quentes e pratos gratinados.

Cozinha Combinada

Pelo seu nome, esta operação de cozedura combina a potência do microondas com a da cozedura em grelha. A operação é categorizada em três níveis com diferentes configurações de potência de combinação, como se pode ver na tabela seguinte. Estes são particularmente adequados para certos alimentos e operações culinárias. Assim como para manter a tão desejada crocância de certos alimentos.

A tabela seguinte mostra 3 configurações de potência diferentes para programas combinados.

| Programa | Tempo de cozedura em micro-ondas | Tempo de cozedura do grelhador | Adequado para |
|----------|----------------------------------|--------------------------------|----------------------------------|
| Comb1 | 30% | 70% | Peixe, batatas, au grain |
| Comb2 | 49% | 51% | Pudim, omeletes, batatas cozidas |
| Comb3 | 67% | 33% | Aves de capoeira |

INSTRUÇÕES DE FUNCIONAMENTO

Para iniciar uma sessão de culinária,

1. Colocar os alimentos no forno e fechar a porta.
2. Seleccionador de Potência para seleccionar um nível de potência.
3. Rode o botão temporizador para definir um tempo de cozedura.

NOTA: Assim que o temporizador é rodado, o forno começa a cozinhar. Ao seleccionar o tempo por menos de 2 minutos, rodar o temporizador para além de 2 minutos e depois voltar ao tempo correcto.

CUIDADO: VOLTAR SEMPRE O TEMPO DE RETORNO A ZERO POSITION se os alimentos forem retirados do forno antes do tempo de cozedura definido estar completo ou quando o forno não estiver a ser utilizado. Para parar o forno durante o processo de cozedura, carregar no botão de libertação da porta ou abrir a porta pelo puxador.

LIMPEZA E MANUTENÇÃO

1. Desligar o forno e retirar a ficha da tomada antes da limpeza.
2. Manter o interior do forno limpo. Quando salpicos de comida ou líquidos derramados aderem às paredes do forno, limpe com um pano húmido. Pode ser usado detergente suave se o forno ficar muito sujo. Evitar a utilização de spray e outros produtos de limpeza agressivos, pois podem manchar, riscar ou embotar a superfície da porta.
3. As superfícies exteriores devem ser limpas com um pano húmido. Para evitar danos nas partes operacionais no interior do forno, não se deve permitir a infiltração de água nas aberturas de ventilação.
4. Limpar a porta e a janela de ambos os lados, as juntas da porta e as partes adjacentes frequentemente com um pano húmido para remover quaisquer derrames ou salpicos. Não utilizar produto de limpeza abrasivo.
5. Não é utilizado um aparelho de limpeza a vapor.
6. Não permitir que o painel de controlo fique molhado. Limpe com um pano macio e úmido. Ao limpar o painel de controlo, deixar a porta do forno aberta para evitar que o forno se ligue acidentalmente.
7. Se o vapor se acumular dentro ou à volta da porta do forno, limpe com um pano macio. Isto pode ocorrer quando o forno de microondas é operado sob condições de humidade elevada. E é normal.
8. É ocasionalmente necessário retirar o tabuleiro de vidro para limpeza. Lavar o tabuleiro em água quente com gás ou numa máquina de lavar louça.
9. O anel de roletes e o chão do forno devem ser limpos regularmente para evitar ruídos excessivos. Limpar simplesmente a superfície inferior do forno com detergente suave. O anel de rolo pode ser lavado em água com gás ou máquina de lavar louça. Quando remover o aro rotativo da parte inferior do forno, para limpeza, certifique-se de que o recoloca na posição correcta.
10. Retire os odores do seu forno, combinando uma chávena de água com o sumo e a pele de um limão numa tigela profunda que pode ser colocada no microondas, durante 5 minutos. Limpar bem e secar com um pano macio.
11. Quando for necessário substituir a lâmpada do forno, por favor, consulte um revendedor, para que ele o faça.
12. O forno deve ser limpo regularmente e quaisquer depósitos de alimentos devem ser removidos. O não conseguir manter o forno em condições de limpeza pode levar à deterioração da superfície, o que pode afetar negativamente a vida útil do aparelho e, possivelmente, resultar numa situação perigosa.
13. Por favor, não deitar este aparelho no caixote do lixo doméstico; ele deve ser deitado no centro de eliminação específico fornecido pelos municípios.
14. Quando o forno microondas com função de grelhador é utilizado pela primeira vez, pode produzir fumo e cheiro ligeiro. Este é um fenómeno normal porque o forno é feito de uma placa de aço revestida com óleo lubrificante, e o novo forno produzirá fumos e odores gerados pela queima do óleo lubrificante. Este fenómeno desaparecerá após um período de utilização.

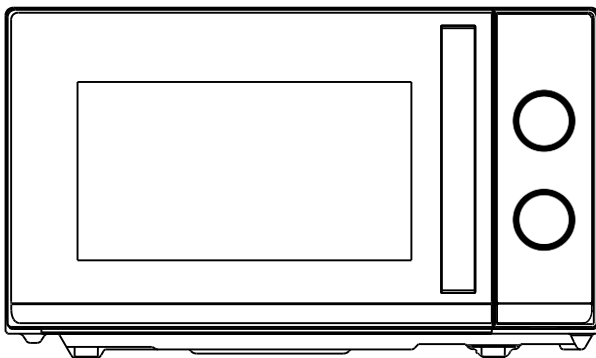


Este aparelho está rotulado em conformidade com a Diretiva Europeia 2012/19/UE relativa aos resíduos de equipamentos elétricos e eletrónicos (REEE) 2013 em relação aos aparelhos elétricos e eletrónicos. Os REEE contêm substâncias poluentes (que podem ter um efeito negativo no meio ambiente) e elementos base (que podem ser reutilizados). É importante que os REEE sejam submetidos a tratamentos específicos para remover e eliminar os poluentes e recuperar todos os materiais. As pessoas podem desempenhar um papel importante para garantir que os REEE não representem um problema ambiental; é essencial que sejam cumpridas algumas normas básicas:

- Os REEE não devem ser tratados como lixo doméstico;
- Os REEE devem ser levados para áreas de recolha dedicadas administradas pelo município ou por uma empresa registada.

Em muitos países, as recolhas domésticas podem estar disponíveis para grandes REEEs. Quando compra um aparelho novo, o antigo pode ser devolvido ao revendedor, que deve aceitar tratar da recolha gratuitamente, desde que o aparelho seja de um tipo equivalente e tenha as mesmas funções do aparelho fornecido.

Návod k mikrovlnnej rúre



Model: CMG20TNMB

Pred inštaláciou a obsluhou rúry si pozorne prečítajte tento návod.

OBSAH

| | |
|---|-----------|
| OPATRENIA NA ZABRÁNENIE MOŽNÉMU VYSTAVENIU NADMERNEJ MIKROVLNNEJ ENERGII | 3 |
| DÔLEŽITÉ BEZPEČNOSTNÉ POKYNY | 3 |
| NÁVOD NA INŠTALÁCIU | 6 |
| POKYNY NA UZEMNENIE..... | 6 |
| RÁDIOVÉ RUŠENIE..... | 7 |
| PRED VYŽIADANÍM SLUŽBY | 7 |
| TECHNIKY VARENIA..... | 7 |
| SPRIEVODCA KUCHYNSKÝM NÁČINÍM..... | 8 |
| ŠPECIFIKÁCIE | 9 |
| DIAGRAM PRODUKTU..... | 9 |
| OVLÁDACÍ PANEL | 10 |
| PREPÍNAČ VÝKONU/ČINNOSTI | 10 |
| KLUČKA ČASOVAČA | 10 |
| MIKROVLNNÁ PRÍPRAVA JEDLA | 10 |
| VARENIE NA GRILE..... | 10 |
| KOMBINOVANÉ VARENIE..... | 11 |
| NÁVOD NA OBSLUHU | 11 |
| ČISTENIE A ÚDRŽBA..... | 11 |

OPATRENIA NA ZABRÁNENIE MOŽNÉMU VYSTAVENIU NADMERNEJ MIKROVLNNEJ ENERGII

1. Nepokúšajte sa používať túto rúru s otvorenými dvierkami, pretože prevádzka s otvorenými dvierkami môže mať za následok škodlivé vystavenie mikrovlnnej energii. Je dôležité, aby ste nepoškodili bezpečnostné zámky ani s nimi nemanipulovali.
2. Medzi čelnú plochu rúry a dvierka neumiestňujte žiadne predmety, ani nedovoľte, aby sa na tesniacich plochách nahromadila špina alebo zvyšky čistiaceho prostriedku.
3. Ak je rúra poškodená, nepoužívajte ju. Je veľmi dôležité, aby sa dvierka rúry riadne zatvorili a aby nedošlo k poškodeniu
 - a) Dvierka (vrátane akýchkoľvek ohnutých),
 - b) Závesy a západky (zlomené alebo uvoľnené),
 - c) Tesnenia dvierok a tesniace plochy.
4. Rúra by mal nastavovať a opravovať len kvalifikovaný servisný personál.

DÔLEŽITÉ BEZPEČNOSTNÉ POKYNY

Pri používaní elektrického spotrebiča sa majú dodržiavať základné bezpečnostné opatrenia vrátane:

VAROVANIE: Aby sa znížilo riziko popálenia, úrazu elektrickým prúdom, požiaru, zranenia osôb alebo vystavenia nadmernej mikrovlnnej energii:

1. Pred použitím spotrebiča si prečítajte celý návod a uschovajte ho na budúce použitie.
2. Tento spotrebič používajte len na zamýšľané použitie, ako je opísané v tomto návode. Na tento spotrebič nepoužívajte korozívne chemikálie ani výpary. Tento typ rúry je špeciálne navrhnutý na ohrev, varenie alebo sušenie potravín. Nie je určený na priemyselné alebo laboratórne použitie.
3. Ak je rúra prázdna, nepoužívajte ju.
4. Nepoužívajte tento spotrebič, ak má poškodený kábel alebo zástrčku, ak nefunguje správne, alebo ak bol poškodený alebo spadol. Ak došlo k poškodeniu napájacieho kábla, musí ho vymeniť výrobca, jeho servisný zástupca alebo podobne spôsobilá osoba, aby nedošlo k nebezpečenstvu.

5. VAROVANIE: UPOZORNENIE! Deti môžu používať rúru bez dozoru len vtedy, ak im boli poskytnuté primerané pokyny na to, aby mohli používať rúru bezpečným spôsobom a pochopili nebezpečenstvo spojené s nesprávnym použitím.
6. VAROVANIE: Ak je spotrebič v kombinovanom režime, deti by mali rúru používať len pod dohľadom dospeléj osoby, a to z dôvodu vysokých teplôt.
7. Aby sa znížilo riziko požiaru vo vnútri rúry:
 - a) Pri ohrievaní potravín v plastových alebo papierových nádobách sledujte rúru kvôli možnosti vznietenia;
 - b) Pred vložením vrecka do rúry odstráňte drôtené spony z papierových alebo plastových vreciek.
 - c) Ak spozorujete dym, vypnite alebo odpojte spotrebič a nechajte dvierka zatvorené, aby ste udusili všetok plameň.
 - d) Nepoužívajte vnútro rúry na skladovacie účely. Ak sa nepoužíva, nenechávajte vo vnútri papierové výrobky, kuchynské potreby ani jedlo.
 - e) Mikrovlnná rúra je určená na ohrev jedál a nápojov. Sušenie odevov a zahrievanie ohrievacích podložiek, papúč, špongií, vlhkej handričky a podobných výrobkov môže spôsobiť riziko poranenia, vznietenia alebo požiaru.
8. VAROVANIE: Tekuté alebo iné potraviny sa nesmú ohrievať v uzavretých nádobách, pretože môžu vybuchnúť.
9. Ohrievanie nápoja mikrovlnnou rúrou môže viesť k oneskorenému erupčivému varu, preto sa pri manipulácii s nádobou musí postupovať opatrne.
10. Nesmažte jedlo v rúre. Horúci olej môže poškodiť časti rúry a príslušenstvo a dokonca spôsobiť popáleniny pokožky.
11. Vajcia v škrupine a celé vajcia varené na tvrdo by sa nemali zahrievať v mikrovlnných rúrach, pretože môžu vybuchnúť aj po ukončení zahrievania v mikrovlnnej rúre.
12. Potraviny s hrubou kožou, ako sú zemiaky, celé tekvice, jablká a gaštany, pred varením prepichnete.
13. Obsah krmných fliaš a detských pohárov by sa mal miešať alebo pretrepávať a pred podaním by sa mala skontrolovať teplota, aby sa zabránilo popáleninám.
14. Kuchynské nádoby sa môžu zohriať v dôsledku tepla prenášaného z ohrievaných potravín. Na manipuláciu s nádobami môžu byť potrebné kuchynské chňapky.
15. Nádoby by sa mali skontrolovať, aby sa zabezpečilo, že sú vhodné na použitie v mikrovlnnej rúre.
16. VAROVANIE: UPOZORNENIE! Je nebezpečné, aby akúkoľvek servisnú alebo opravnú operáciu, ktorá zahŕňa odstránenie akéhokoľvek krytu, ktorý poskytuje ochranu pred vystavením mikrovlnnej energii, vykonala osoba, ktorá nie je vyškolená.
17. Táto mikrovlnná rúra je v súlade s normou EN 55011/CISPR 11, v tejto norme patrí do triedy B skupiny 2. Zariadenia skupiny 2: skupina 2 obsahuje všetky zariadenia ISM RF, v ktorých sa zámerne vytvára a používa rádiová frekvencia energia vo frekvenčnom rozsahu 9 kHz až 400 GHz alebo sa používa len lokálne, vo forme elektromagnetického žiarenia, indukčnej a/alebo kapacitnej väzby, na spracovanie materiálu, na inšpekčné/analytické účely alebo na prenos elektromagnetickej energie Zariadenia triedy B sú zariadenia vhodné na použitie na miestach v

obytnom prostredí a v prevádzkach priamo pripojených na nízkonapäťovú sieť, ktorá zásobuje budovy používané na domáce účely.

18. Tento spotrebič nie je určený na použitie osobami (vrátane detí) so zníženými fyzickými, zmyslovými či duševnými schopnosťami, alebo osobami bez žiadnej znalosti, pokiaľ nie sú pod dozorom alebo neboli vopred poučené o používaní spotrebiča osobou zodpovednou za ich bezpečnosť.
19. Deti by mali byť pod dozorom, aby sa zaistilo, že sa nebudú hrať so zariadením.
20. Mikrovlnná rúra sa používa len ako voľne stojaca.
21. VAROVANIE: Neinštalujte rúru nad varnú dosku alebo iný tepelný spotrebič. V prípade inštalácie by mohlo dôjsť k poškodeniu a záruka by sa vyhla.
22. Mikrovlnná rúra sa nesmie umiestniť do skrine.
23. Dvere alebo vonkajší povrch sa môžu zohriať, keď je spotrebič v prevádzke.
24. VAROVANIE: Prístupné súčasti sa pri používaní môžu zahrievať na vysokú teplotu. Malé deti by mali byť mimo dosahu.
25. Spotrebič sa pri používaní zahrieva na vysokú teplotu. Dávajte pozor, aby ste sa nedotkli vyhrievacích prvkov platničky a na pečenie vo vnútri rúry.
26. Teplota prístupných povrchov môže byť počas prevádzky spotrebiča vysoká.
27. Spotrebič nesmú používať deti alebo osoby so zníženými fyzickými, zmyslovými alebo mentálnymi schopnosťami alebo nedostatkom skúseností a znalostí, pokiaľ nie sú pod dozorom alebo boli poučení.
28. VAROVANIE: Ak sú dvierka alebo tesnenie dvierok poškodené, rúra sa nesmie používať, kým ju neopraví kompetentná osoba.
29. V návode sa uvádza, že spotrebiče nie sú určené na prevádzku pomocou externého časovača alebo samostatného diaľkového ovládacieho systému.
30. Mikrovlnná rúra je určená len na použitie v domácnosti a nie na komerčné účely.
31. Nikdy neodstraňujte dištančnú lištu vzadu alebo po stranách, pretože zabezpečuje minimálnu vzdialenosť od steny pre cirkuláciu vzduchu.
32. Pred presunom spotrebiča zaistite otočný tanier, aby nedošlo k poškodeniu.
33. Upozornenie: UPOZORNENIE! Je nebezpečné, ak spotrebič opravuje alebo servisuje osoba, ktorá nie je špecialistom, pretože za týchto okolností je potrebné odstrániť kryt, ktorý zabezpečuje ochranu pred mikrovlnným žiarením. Platí to aj pre výmenu napájacieho kábla alebo osvetlenia. V týchto prípadoch pošlite spotrebič do nášho servisného strediska.
34. Mikrovlnná rúra je určená len na rozmrazovanie potravín, ich varenie a varenie v pare.
35. Ak vyberáte akékoľvek zohriate jedlo, použite rukavice.
36. Pozor! Pri otvaraní viečok alebo baliacej fólie uniká para.
37. Tento spotrebič môžu používať deti staršie než 8 rokov a osoby so zníženými telesnými, zmyslovými alebo duševnými schopnosťami alebo s nedostatkom skúseností a znalostí, len ak sú pod dozorom alebo dostali pokyny o používaní spotrebiča bezpečným spôsobom a ak chápu nebezpečenstvá s ním súvisiace. Deti sa nesmú hrať so spotrebičom. Čistenie a údržbu používateľa nesmú vykonávať deti, pokiaľ nie sú staršie ako 8 rokov a nie sú pod dohľadom.
38. Ak sa tvorí dym, vypnite alebo odpojte spotrebič a nechajte dvierka zatvorené, aby ste udusili prípadný plameň.

NÁVOD NA INŠTALÁCIU

1. Uistite sa, či sú zvnútra rúry odstránené všetky obalové materiály.
2. VAROVANIE: UPOZORNENIE! Skontrolujte, či rúra nie je poškodená, ako sú nesprávne zarovnané alebo ohnuté dvierka, poškodené tesnenia dvierok a tesniaci povrch, poškodené alebo uvoľnené závesy dvierok a zámky a zuby vo vnútri rúry alebo na dvierkach. Ak dôjde k poškodeniu, rúru nepoužívajte a kontaktujte kvalifikovaný servisný personál.
3. Táto mikrovlnná rúra sa musí umiestniť na rovný, stabilný povrch, ktorý udrží jej hmotnosť a najťažšie jedlo, ktoré sa pravdepodobne bude pripravovať v rúre.
4. Neumiestňujte rúru tam, kde vzniká teplo, vlhko alebo vysoká vlhkosť, alebo v blízkosti horľavých materiálov.
5. Pre správnu prevádzku musí mať rúra dostatočný prietok vzduchu. Ponechajte minimálne 20 cm voľného priestoru nad horným povrchom rúry a 5 cm na oboch stranách. Zadný plech mikrovlnnej rúry musí byť umiestnený blízko steny. Nezakrývajte ani neblokujte žiadne otvory na spotrebiči. Neodstraňujte nožičky.
6. Nepoužívajte rúru bez skleneného taniera, valčekového prstenca a hriadeľa v ich správnej polohe.
7. Uistite sa, či napájací kábel nie je poškodený a či neprechádza pod rúrou ani cez horúci alebo ostrý povrch.
8. Zásuvka musí byť dobre prístupná, aby bolo možné spotrebič, v prípade nebezpečenstva, ľahko odpojiť od siete.
9. Nepoužívajte rúru vonku.

POKYNY NA UZEMNENIE

Tento spotrebič musí byť uzemnený. Táto rúra je vybavená káblom, ktorý má uzemňovací vodič s uzemňovacou zástrčkou. Musí byť zapojený do takej zásuvky, ktorá je správne nainštalovaná a uzemnená. V prípade elektrického skratu uzemnenie znižuje riziko úrazu elektrickým prúdom tým, že poskytuje elektrickému prúdu únikový vodič. Odporúča sa, aby bol k dispozícii samostatný okruh slúžiaci len pre rúru. Použitie vysokého napätia je nebezpečné a môže mať za následok požiar alebo inú nehodu spôsobujúcu poškodenie rúry.

UPOZORNENIE! Nesprávne používanie uzemňovacej zástrčky môže spôsobiť riziko úrazu elektrickým prúdom.

Poznámka:

1. Ak máte akékoľvek otázky týkajúce sa uzemnenia alebo elektrických pokynov, poraďte sa s kvalifikovaným elektrikárom alebo servisným technikom.
2. Výrobca ani predajca nemôžu prevziať žiadnu zodpovednosť za poškodenie rúry alebo zranenie osôb v dôsledku nedodržania postupov elektrického pripojenia.

Drôty v tomto káblovom vedení sú sfarbené v súlade s nasledujúcim kódom:

Zelená a žltá = UZEMNENIE

Modrá = NEUTRÁL

Hnedá = FÁZA

RÁDIOVÉ RUŠENIE

Prevádzka mikrovlnnej rúry môže spôsobiť rušenie rádiového, televízneho alebo podobného zariadenia. Ak dôjde k rušeniu, môže sa znížiť alebo eliminovať nasledovnými opatreniami:

1. Vyčistíte dvierka a tesniaci povrch rúry.
2. Presmerujte prijímaciu anténu rádia alebo televízie.
3. Mikrovlnnú rúru premiestnite s ohľadom na prijímač.
4. Presuňte mikrovlnnú rúru od prijímača.
5. Zapojte mikrovlnnú rúru do inej zásuvky tak, aby boli mikrovlnná rúra a prijímač pripojené k rôznym vetvám obvodu.

PRED VYŽIADANÍM SLUŽBY

Pred vyžiadaním servisu skontrolujte každú položku nižšie:

- Skontrolujte, či je rúra bezpečne zapojená. Ak nie, vyťahnite zástrčku zo zásuvky, počkajte 10 sekúnd a znovu ju bezpečne zapojte.
- Skontrolujte, či nie je spálená poistka obvodu alebo vypnutý hlavný istič. Ak sa zdá, že tieto zariadenia fungujú správne, otestujte zásuvku iným spotrebičom.
- Skontrolujte, či je ovládací panel správne naprogramovaný a časovač je nastavený.
- Skontrolujte, či sú dvierka bezpečne zatvorené s použitím systému zámku dvierok. Ak dvierka nie sú správne zatvorené, vo vnútri nebude prúdiť mikrovlnná energia.

AK ŽIADNE Z VYŠŠIE UVEDENÝCH OPATRENÍ NEVYRIEŠI PROBLÉM, KONTAKTUJTE KVALIFIKOVANÉHO TECHNIKA. NEPOKÚŠAJTE SA RÚRU NASTAVIŤ ANI OPRAVIŤ SAMI.

TECHNIKY VARENIA

1. Opatrne pripravte potraviny. Najhrubšie miesta umiestnite smerom von z taniera.
2. Sledujte čas prípravy jedla. Varte čo najkratšie a podľa potreby ho predĺžte. Silne prehriate jedlo môže dymiť alebo sa môže vznietiť.
3. Počas varenia zakryte potraviny. Kryty zabraňujú rozstreknutiu a pomáhajú rovnomernému vareniu potravín.
4. Počas mikrovlnnej prípravy jedla jedenkrát otočte jedlo, aby ste urýchlili varenie takých potravín, ako sú kurča a hamburgery. Veľké kusy, ako sú pečienky, sa musia otočiť aspoň raz.
5. Jedlo ako mäsové guľky uprostred varenia premiešajte tak, aby sa guľky zdola dostali nahor a guľky zo stredu taniera na okraj.

SPRIEVODCA KUCHYNSKÝM NÁČINÍM

1. Mikrovlny nemôžu preniknúť cez kov. Používajte len také nádoby, ktoré sú vhodné na použitie v mikrovlnných rúrach. Kovové nádoby na potraviny a nápoje nie sú počas mikrovlnnej prípravy jedla povolené. Táto požiadavka sa neuplatňuje, ak výrobca špecifikuje veľkosť a tvar kovových nádob vhodných na mikrovlnnú prípravu jedla.
2. Mikrovlny nemôžu preniknúť cez kov, preto by sa nemali používať kovové nádoby alebo riady s kovovým lemovaním.
3. Výrobky z recyklovaného papiera nepoužívajte pri mikrovlnnej príprave jedla, pretože môžu obsahovať malé kovové úlomky, ktoré môžu spôsobiť iskry a/alebo požiare.
4. Odporúčame zvoliť radšej okrúhle alebo oválne nádoby, pretože v obdĺžnikových a štvorcových sa môže jedlo v rohoch prehrievať.
5. Na zabránenie prehriatia exponovaných plôch sa môžu použiť úzke pásy hliníkovej fólie. Ale buďte opatrní, nepoužívajte jej príliš veľa a udržiavajte vzdialenosť 2,54 cm medzi fóliou a stenou vnútra.

Zoznam uvedený nižšie je všeobecným sprievodcom, ktorý vám pomôže vybrať správne nádoby.

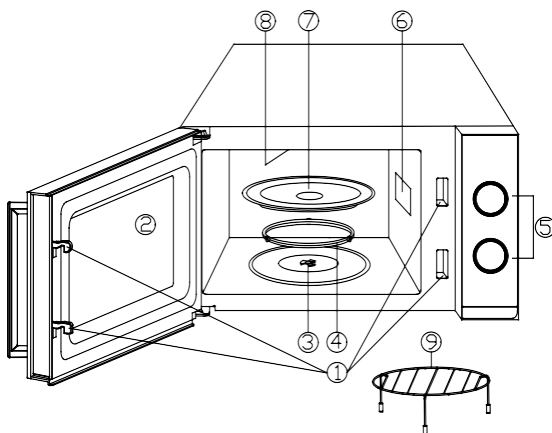
| Hrnce | Mikrovlnka | Gril | Kombinované varenie |
|--|------------|------|---------------------|
| Tepelne odolné sklo | Áno | Áno | Áno |
| Sklo, ktoré nie je odolné voči teplu | Nie | Nie | Nie |
| Keramika odolná voči teplu | Áno | Áno | Áno |
| Plastový riad bezpečný pre mikrovlnnú rúru | Áno | Nie | Nie |
| Kuchynský papier | Áno | Nie | Nie |
| Kovový tanier | Nie | Áno | Nie |
| Kovový stojan | Nie | Áno | Nie |
| Hliníkové fólie a fóliové obaly | Nie | Áno | Nie |

ŠPECIFIKÁCIE

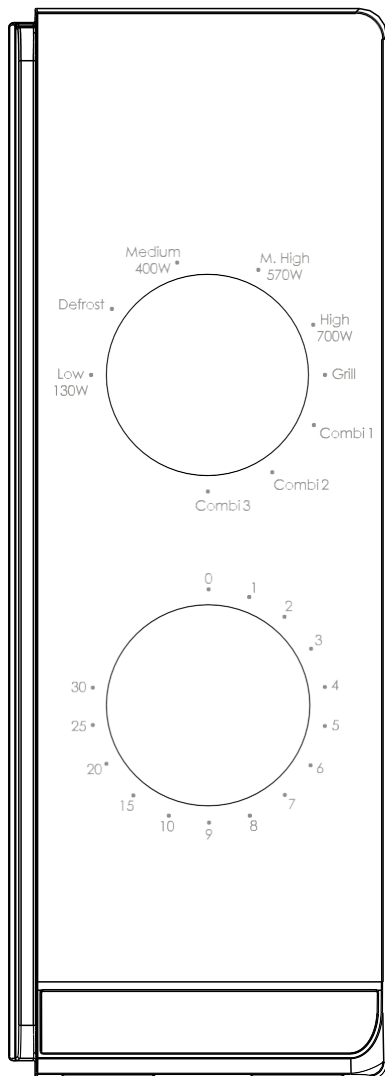
| | |
|-------------------------|--|
| Príkon: | 230-240 V/50 Hz, 1200 W (mikrovlnná rúra); 900 W (gril) |
| Výstup | 700 W |
| Prevádzková frekvencia: | 2450 MHz |
| Vonkajšie rozmery | 262 mm (V) × 452 mm (Š) × 357 mm (H) |
| Rozmery vnútra rúry: | 198 mm (V) × 315 mm (Š) × 297 mm (H) |
| Objem rúry: | Kompaktný objem 20 litrov |
| Čistá hmotnosť: | Približne 11 kg |

DIAGRAM PRODUKTU

1. Systém bezpečnostného zámku dvierok
2. Okienko rúry
3. Hriadeľ
4. Valčekový prstenec
5. Ovládací panel
6. Sprievodca vlnami (Neodstraňujte sľudovú dosku pokrývajúcu vlnovod)
7. Sklenený tanier
8. Ohrievač grilu
9. Kovový stojan



OVLÁDACÍ PANEL



Ovládací panel pozostáva z dvoch funkčných ovládačov. Jeden je časový gombík a druhý výkonový gombík.

Prepínač výkonu/činnosti

Pomocou tohto ovládacieho gombíka môžete zvoliť úroveň výkonu varenia. Je to prvý krok na začatie varenia.

Kľučka časovača

Ponúka vizuálne nastavenie času jednoduchým otočením palca na výber požadovaného času varenia až do 30 minút na jedno varenie.

Mikrovlnná príprava jedla

Pri čistom varení v mikrovlnnej rúre je k dispozícii päť úrovní výkonu, z ktorých si môžete vybrať jednu, ktorá sa najlepšie hodí na danú úlohu.

Úroveň výkonu sa zvyšuje otáčaním gombíka v smere hodinových ručičiek. Úrovne výkonu možno klasifikovať takto:

| Výstupný výkon | Opis |
|----------------|---------------|
| 700 W | VYSOKÁ |
| 570 W | M.HIGH |
| 400 W | Stredná |
| | Rozmrazovanie |
| 130 W | NÍZKA |

Varenie na grile

Otočením gombíka v smere hodinových ručičiek na najvyšší stupeň mikrovlnného výkonu rúra prejde do funkcie grilovania, ktorá je obzvlášť užitočná na prípravu tenkých plátkov mäsa, steakov, kotliet, kebabu, klobás alebo kúskov kuracieho mäsa. Je vhodná aj na prípravu teplých sendvičov a gratinovaných jedál.

Kombinované varenie

Podľa názvu táto varná operácia kombinuje mikrovlnný výkon s grilovaním. Prevádzka je rozdelená do troch úrovní s rôznymi nastaveniami kombinovaného výkonu, ako vidíte v nasledujúcej tabuľke. Tie sú vhodné najmä pre niektoré potraviny a kulinárske prevádzky. Rovnako ako na zachovanie tak žiadanej chrumkavosti niektorých potravín. V nasledujúcej tabuľke sú uvedené 3 rôzne nastavenia výkonu pre kombinované programy.

| Program | Čas varenia v mikrovlnnej rúre | Čas grilovania | Vhodné pre |
|---------|--------------------------------|----------------|---------------------------------|
| Comb1 | 30 % | 70 % | Ryby, zemiaky, obilie |
| Comb2 | 49 % | 51 % | Puding, omelety, pečené zemiaky |
| Comb3 | 67 % | 33 % | Hydina |

NÁVOD NA OBSLUHU

Začatie varenia,

1. Vložte jedlo do rúry a zatvorte dverka.
2. Otočením voliča výkonu vyberte úroveň výkonu.
3. Otočením gombíka časovača nastavte čas varenia.

POZNÁMKA: Hneď ako sa časovač zapne, rúra začne piecť. Pri výbere času kratšieho ako 2 minúty otočte časovač na 2 minúty a potom sa vráťte na správny čas.

UPOZORNENIE: VŽDY VRAŤTE ČASOVAČ DO POLOHY NULA, ak sa jedlo vyberie z rúry pred uplynutím nastaveného času pečenia alebo ak sa rúra nepoužíva. Ak chcete zastaviť rúru počas procesu pečenia, stlačte tlačidlo uvoľnenia dveriek alebo otvorte dverka za rukoväť.

ČISTENIE A ÚDRŽBA

1. Pred čistením rúru vypnite a vytiahnite zástrčku zo zásuvky.
2. Udržujte vnútro rúry čisté. Keď sa rozstrekuté alebo rozliate tekutiny prilepia na steny rúry, utrite ich vlhkou handričkou. Ak sa rúra veľmi zašpiní, môžu sa použiť jemné čistiace prostriedky. Vyhnite sa používaniu sprejov a iných drsných čistiacich prostriedkov, pretože môžu spôsobiť škvrny, šmuhy alebo zmatnenie povrchu dverí.
3. Vonkajšie povrchy by sa mali čistiť vlhkou handričkou. Aby sa zabránilo poškodeniu obslužných častí vo vnútri rúry, voda nesmie presiaknuť do vetracích otvorov.
4. Dverka a okienko na oboch stranách, tesnenia dveriek a príslušné časti často utierajte vlhkou handričkou, aby ste odstránili všetky rozliate alebo rozstrekuté tekutiny. Nepoužívajte abrazívny čistiaci prostriedok.
5. Parný čistič sa nepoužíva.

6. Nedovoľte, aby sa ovládací panel namočil. Vyčistite ho mäkkou, vlhkou handričkou. Pri čistení ovládacieho panela nechajte dvierka rúry otvorené, aby sa zabránilo náhodnému zapnutiu rúry.
7. Ak sa para nahromadí vo vnútri alebo okolo dvierok rúry, utrite ju mäkkou handričkou. Toto môže nastať, ak je mikrovlnná rúra v prevádzke pri vysokej vlhkosti. Je to bežný jav.
8. Občas je potrebné vybrať sklenený tanier a očistiť ho. Umyte tanier v teplej mydlovej vode alebo v umývačke riadu.
9. Valčekový prsteneц a dno rúry by sa mali pravidelne čistiť, aby sa zabránilo nadmernému hluku. Jednoducho utrite dno rúry jemným čistiacim prostriedkom. Valčekový krúžok možno umývať v jemnej mydlovej vode alebo v umývačke riadu. Pri odstraňovaní valčekového krúžku z podlahy dutiny na čistenie sa uistite, že je nahradený v správnej polohe.
10. Odstráňte zápach z rúry tak, že v hlbokej miske na pečenie v mikrovlnnej rúre zmiešate šálku vody so šťavou a kôrou z jedného citróna a necháte ju 5 minút pôsobiť v mikrovlnnej rúre. Dôkladne ju utrite a vysušte mäkkou handričkou.
11. Ak je potrebné vymeniť kontrolku rúry, obráťte sa na predajcu, aby ju vymenil.
12. Rúra by sa mala pravidelne čistiť a odstraňovať z nej všetky usadeniny jedla. Neudržiavanie rúry v čistom stave by mohlo viesť k zhoršeniu povrchu, ktoré by mohlo mať nepriaznivý vplyv na životnosť spotrebiča a prípadne viesť k nebezpečným.
13. Tento spotrebič nevyhadzujte do domáceho odpadu. Mal by byť zlikvidovaný v špeciálnom zbernom dvore, ktorý zriadila obec.
14. Pri prvom použití mikrovlnnej rúry s funkciou grilu sa môže vytvoriť mierny dym a zápach. Je to bežný jav, pretože rúra je vyrobená z oceľového plechu potiahnutého mazacím olejom a nová rúra bude produkovať výpary a zápach, ktorý vzniká spaľovaním mazacieho oleja. Tento jav zmizne po určitej dobe používania.

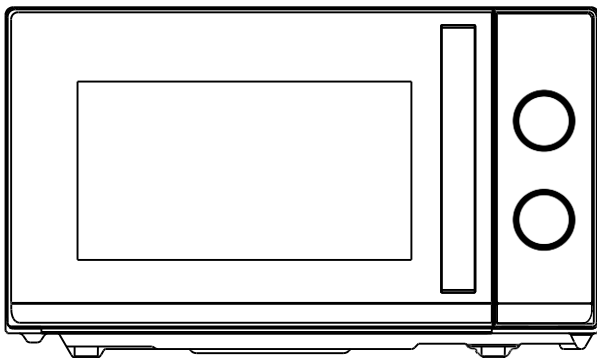


Tento spotrebič je označený v súlade s európskou smernicou 2012/19/EÚ o predpisoch o odpade z elektrických a elektronických zariadení z roku 2013 týkajúcich sa elektrických a elektronických spotrebičov (OEEZ). OEEZ sa zaoberá znečisťujúcimi látkami (ktoré môžu mať negatívny vplyv na životné prostredie) a základnými prvkami (ktoré sa môžu znovu použiť). Je dôležité, aby OEEZ podstúpili osobitné úpravy na správne odstránenie a likvidáciu znečisťujúcich látok a obnovu všetkých materiálov. Jednotlivci môžu zohrávať dôležitú rolu pri zabezpečovaní toho, aby sa z OEEZ nestal problém životného prostredia; potrebné je dodržiavať niekoľko základných pravidiel:

- s OEEZ sa nesmie nakladať ako s domovým odpadom;
- OEEZ sa musia odvážať do vyhradených zberných oblastí spravovaných mestskou radou alebo registrovanou spoločnosťou.

V mnohých krajinách môžu byť k dispozícii pre veľké OEEZ strediská zberu domového odpadu. Keď si kúpite nový spotrebič, starý spotrebič sa môže vrátiť dodávateľovi, ktorý ho musí prijať bezplatne ako jednorazovú záležitosť, pokiaľ je spotrebič ekvivalentného typu a má rovnaké funkcie ako zakúpený spotrebič.

Uputstvo za rad mikrotalasne rerne



Model: CMG20TNMB

Pažljivo pročitajte ova uputstva pre instalacije i rukovanja reonom.

SADRŽAJ

| | |
|--|-----------|
| MERE PREDOSTROŽNOSTI KAKO BI SE IZBEGLO MOGUĆE IZLAGANJE PREKOMERNOJ MIKROTALASNOJ ENERGI | 3 |
| VAŽNA BEZBEDNOSNA UPUTSTVA | 3 |
| UPUTSTVO ZA INSTALACIJU | 6 |
| UPUTSTVO ZA UZEMLJENJE | 6 |
| RADIO INTERFERENCE | 7 |
| PRE POZIVANJA SERVISA..... | 7 |
| TEHNIKE KUVANJA | 7 |
| UPUTSTVO ZA PRIBOR ZA KUVANJE..... | 8 |
| SPECIFIKACIJE | 9 |
| DIJAGRAM PROIZVODA..... | 9 |
| KONTROLNA TABLA | 10 |
| IZBORNIK SNAGE / RADNJE | 10 |
| DUGME TAJMERA..... | 10 |
| KUVANJE U MIKROTALASNOJ PEĆNICI..... | 10 |
| KUHANJE NA ROŠTILJU..... | 10 |
| KOMBINOVANO KUVANJE..... | 11 |
| УПУТСТВА ЗА РАД..... | 11 |
| ČIŠĆENJE I ODRŽAVANJE | 11 |

MERE PREDOSTROŽNOSTI KAKO BI SE IZBEGLO MOGUĆE IZLAGANJE PREKOMERNOJ MIKROTALASNOJ ENERGI

1. Ne pokušavajte da koristite ovu rernu dok su vrata otvorena jer rad otvorenih vrata može dovesti do štetnog izlaganja mikrotalasnoj energiji. Važno je ne vršiti izmene na sigurnosnim blokadama.
2. Ne stavljajte nikakve predmete između prednje strane rerne i vrata niti dozvolite da se talog ili ostaci sredstva za čišćenje akumuliraju na zaptivnim površinama.
3. Ne koristite rernu ako je oštećena. Posebno je važno da se vrata rerne pravilno zatvore i da nema oštećenja na
 - a) Vrata (uključujući i savijena),
 - b) Šarkama i zasunima (slomljeni ili olabavljeni),
 - c) Zaptivačima vrata i zaptivnim površinama.
4. Pečnicu ne sme podešavati ili popravljati niko osim kvalifikovanog servisnog osoblja.

VAŽNA BEZBEDNOSNA UPUTSTVA

Prilikom korišćenja električnog uređaja treba poštovati osnovne mere predostrožnosti, uključujući sledeće:

UPOZORENJE: Da bi se smanjio rizik od opekotina, strujnog udara, požara, povreda osoba ili izlaganja prekomernoj mikrotalasnoj energiji:

1. Pročitajte sva uputstva pre upotrebe uređaja i čuvajte ih za buduću upotrebu.
2. Koristite ovaj uređaj samo za namensku upotrebu kao što je opisano u ovom priručniku. Nemojte koristiti korozivne hemikalije ili pare u ovom uređaju. Ova vrsta rerne je posebno dizajnirana za zagrevanje, kuvanje ili sušenje hrane. Nije dizajniran za industrijsku ili laboratorijsku upotrebu.
3. Nemojte koristiti rernu kada je prazna.
4. Nemojte koristiti ovaj uređaj ako ima oštećen kabl ili utikač, ako ne radi ispravno ili ako je oštećen ili ispušten. Ukoliko je kabl za napajanje oštećen, mora ga zameniti proizvođač ili njegov serviser ili slično kvalifikovano lice kako bi se izbegla opasnost

5. UPOZORENJE: Dozvoljavajte deci da koriste rernu bez nadzora samo kada su data adekvatna uputstva tako da dete može da koristi rernu na bezbedan način i razume opasnosti od nepravilne upotrebe.
6. Upozorenje: Kada uređaj radi u kombinovanom režimu, deca treba da koriste rernu samo pod nadzorom odrasle osobe zbog generisanih temperatura.
7. Da biste smanjili rizik od požara u unutrašnjosti rerne:
 - a) Prilikom zagrevanja hrane u plastičnoj ili papirnoj posudi, pazite na rernu zbog mogućnosti paljenja;
 - b) Uklonite žičane zavoje sa papirnih ili plastičnih kesa pre nego što stavite kesu u rernu.
 - c) Ukoliko primetite dim, isključite ili isključite uređaj i držite vrata zatvorena kako biste prigušili plamen.
 - d) Nemojte unutrašnjost koristiti za odlaganje. Ne ostavljajte papirne proizvode, pribor za kuvanje ili hranu u šupljini kada nisu u upotrebi.
 - e) Mikrotalasna rerna je namenjena za zagrevanje hrane i pića. Sušenje odeće i zagrevanje jastučića za zagrevanje, papuča, sunđera, vlažne krpe i slično može dovesti do rizika od povreda, paljenja ili požara.
8. UPOZORENJE: Tečne ili druge namirnice ne smeju se zagrevati u zatvorenim posudama jer mogu eksplodirati.
9. Zagrevanje pića u mikrotalasnoj može dovesti do odloženog eruptivnog ključanja, stoga je potreban oprez prilikom rukovanja posudom.
10. Ne pržite hranu u rerni. Vruće ulje može da ošteti delove rerne i pribor, pa čak i da izazove opekotine na koži.
11. Jaja u ljusci i cela tvrdo kuvana jaja ne smeju se zagrevati u mikrotalasnim pećnicama jer mogu eksplodirati čak i nakon završetka mikrotalasnog zagrevanja.
12. Probušite hranu sa debelom korom kao što su krompir, cele tikve, jabuke i kesteni pre kuvanja.
13. Sadržaj bočica za hranjenje i tegli za bebe treba promešati ili protresti i proveriti temperaturu pre serviranja kako bi se izbegle opekotine.
14. Pribor za kuvanje može da se zagreje zbog toplote koja se prenosi iz zagrejane hrane. Držači posuda će možda biti potrebni za rukovanje priborom.
15. Pribor treba proveriti kako bi se osiguralo da je pogodan za upotrebu u mikrotalasnoj pećnici.
16. UPOZORENJE: Opasno je za bilo koga osim obučene osobe da obavlja bilo kakvu uslugu ili popravku koja uključuje uklanjanje bilo kog poklopca koji pruža zaštitu od izlaganja mikrotalasnoj energiji.
17. Ova mikrotalasna je u skladu sa EN 55011/CISPR 11, u ovom standardu pripada klasifikaciji klase B grupe 2. Oprema grupe 2: grupa 2 sadrži svu ISM RF opremu u kojoj se radiofrekvencijska energija u frekventnom opsegu od 9 kHz do 400 GHz namerno generiše i koristi ili koristi samo lokalno, u vidu elektromagnetnog zračenja, induktivnog i/ili kapacitivnog spajanja, za obradu materijala, za potrebe pregleda/analize, ili za prenos elektromagnetne energije Oprema klase B je oprema pogodna za korišćenje na lokacijama u stambenim sredinama i u objektima koji su direktno priključeni na niskonaponsku mrežu napajanja koja snabdeva zgrade koje se koriste za domaće potrebe.

18. Ovaj uređaj nije namenjen za upotrebu od strane osoba (uključujući decu) sa smanjenim fizičkim, senzornim ili mentalnim sposobnostima, ili nedostatkom iskustva i znanja, osim uz nadzor i uputstva lica odgovornog za njihovu bezbednost.
19. Na decu treba paziti kako bi se obezbedilo da se ona ne igraju s uređajem.
20. Mikrotalasna rerna se koristi samo u samostojećim prostorima.
21. **UPOZORENJE:** Nemojte postavljati rernu preko ploče za kuvanje ili drugog uređaja za proizvodnju toplote. Ako je instaliran, može biti oštećen i garancija će biti izbegnuta.
22. Mikrotalasna rerna se ne sme stavljati u orman.
23. Vrata ili spoljna površina mogu da se zagreju dok uređaj radi.
24. **Upozorenje:** Delovi uređaja kojima se može pristupiti mogu da se zagreju prilikom upotrebe. Decu treba držati podalje.
25. Uređaj se zagreva prilikom upotrebe. Treba voditi računa da se ne dodiruju grejni elementi unutar rerne, za kuvanje i rerne u opsegu.
26. Temperatura dostupnih površina može biti visoka kada uređaj radi.
27. Uređaj ne smeju koristiti deca ili osobe sa smanjenim fizičkim, senzornim ili mentalnim sposobnostima, ili sa nedostatkom iskustva i znanja, osim ako im nije dat nadzor ili uputstvo.
28. **UPOZORENJE:** Ako su brtve vrata ili vrata oštećene, rerna se ne sme koristiti dok je ne popravi kompetentno lice.
29. U uputstvu mora biti navedeno da uređaji nisu namenjeni za rad pomoću spoljnog tajmera ili odvojenog sistema za daljinsko upravljanje.
30. Mikrotalasna rerna je samo za kućnu upotrebu, a ne za komercijalnu upotrebu.
31. Nikada ne uklanjajte držač rastojanja sa zadnje ili bočne strane, jer obezbeđuje minimalno rastojanje od zida za cirkulaciju vazduha.
32. Učvrstite gramofon pre pomeranja uređaja kako biste izbegli oštećenja.
33. **Oprez:** Opasno je popravljati ili održavati uređaj od strane bilo kog drugog stručnjaka jer u ovim okolnostima poklopac mora biti uklonjen što obezbeđuje zaštitu od mikrotalasnog zračenja. Ovo se odnosi i na promenu kabla za napajanje ili osvetljenja. Pošaljite uređaj u ovim slučajevima u naš servisni centar.
34. Mikrotalasna rerna je namenjena samo za odmrzavanje, kuvanje i paru hrane.
35. Koristite rukavice ako uklanjate bilo koju podgrejanu hranu.
36. **Oprez!** Para će pobeći prilikom otvaranja poklopca ili folije za omatanje.
37. Ovaj uređaj mogu koristiti i deca uzrasta od 8 ili više godina i osobe sa smanjenim fizičkim, senzornim ili mentalnim sposobnostima ili nedostatkom iskustva i znanja, ako to čine pod nadzorom ili ukoliko uređaj koriste prema uputstvima za bezbednu upotrebu i ako razumeju opasnosti koje ta upotreba uključuje. Deca ne smeju da se igraju sa uređajem. Čišćenje i održavanje korisnika ne smeju da obavljaju deca, osim ako nisu stari od 8 godina i više i pod nadzorom.
38. Ukoliko primetite dim, isključite ili isključite uređaj i držite vrata zatvorena kako biste prigušili plamen.

UPUTSTVO ZA INSTALACIJU

1. Uverite se da su svi ambalažni materijali uklonjeni sa unutrašnje strane vrata.
2. **UPOZORENJE:** Proverite da li je rerna oštećena, kao što su nedoravnata ili savijena vrata, oštećeni zaptivači vrata i zaptivne površine, slomljene ili labave šarke vrata i zasuni i udubljenja unutar šupljine ili na vratima. Ukoliko dođe do bilo kakvog oštećenja, nemojte rukovati rernom i kontaktirajte kvalifikovano servisno osoblje.
3. Ova mikrotalasna pećnica mora biti postavljena na ravnu, stabilnu površinu kako bi izdržala svoju težinu i najtežu hranu koja će se kuvati u rerni.
4. Ne postavljajte rernu na mesto gde se stvara toplota, vlaga ili visoka vlažnost, ili blizu zapaljivih materijala.
5. Za pravilan rad rerna mora imati dovoljan protok vazduha. Ostavite najmanje 20cm slobodnog prostora potrebnog iznad gornje površine rerne i 5cm sa obe strane. Zadnja ploča mikrotalasne rerne mora biti postavljena blizu zida. Ne pokrivajte i ne blokirajte otvore na uređaju. Ne uklanjajte noge.
6. Nemojte koristiti rernu bez staklene tacne, nosača valjka i osovine u odgovarajućim položajima.
7. Uverite se da je kabl za napajanje neoštećen i da ne radi ispod rerne ili preko vruće ili oštre površine.
8. Utičnica mora biti lako dostupna tako da se može lako isključiti u hitnim slučajevima.
9. Ne koristite rernu na otvorenom.

UPUTSTVO ZA UZEMLJENJE

Ovaj uređaj mora biti uzemljen. Ova rerna je opremljena kablom koji ima žicu za uzemljenje sa utikačem za uzemljenje. Mora biti priključen u zidnu posudu koja je pravilno postavljena i uzemljena. U slučaju kratkog spoja, uzemljenje smanjuje rizik od strujnog udara obezbeđivanjem žice za odvod električne struje. Preporučuje se da se obezbedi odvojeno kolo koje služi samo rerni. Korišćenje visokog napona je opasno i može dovesti do požara ili druge nezgode koja može izazvati oštećenje rerne.

UPOZORENJE! Nepravilna upotreba utikača za uzemljenje može dovesti do opasnosti od strujnog udara.

Napomena:

1. Ako imate bilo kakvih pitanja o uzemljenju ili električnim uputstvima, obratite se kvalifikovanom električaru ili serviseru.
2. Ni proizvođač ni prodavac ne mogu da prihvate bilo kakvu odgovornost za oštećenje rerne ili lične povrede nastale usled nepoštovanja procedura električnog povezivanja.

Žice u ovom glavnom kablju su obojene u skladu sa sledećim kodom:

Zeleno i žuto = UZEMLJENJE

Plavo = NULA

Braon = FAZA

RADIO INTERFERENCE

Rad mikrotalasne pećnice može izazvati smetnje na vašem radiju, TV-u ili sličnoj opremi. Kada postoje smetnje, one se mogu smanjiti ili eliminirati preduzimanjem sledećih mera:

1. Očistite vrata i zaptivnu površinu rerne.
2. Preusmerite prijemnu antenu radija ili televizije.
3. Premestite mikrotalasnu pećnicu u odnosu na prijemnik.
4. Pomerite mikrotalasnu pećnicu dalje od prijemnika.
5. Uključite mikrotalasnu pećnicu u drugu utičnicu tako da su mikrotalasna pećnica i prijemnik na različitim strujnim kolima.

PRE POZIVANJA SERVISA

Pre nego što zatražite uslugu, proverite svaku stavku u nastavku:

- Proverite da li je rerna bezbedno priključena. Ako nije, izvadite utikač iz utičnice, sačekajte 10 sekundi i ponovo ga čvrsto uključite.
- Proverite da li je pregoreo osigurač ili je iskočio glavni osigurač. Ako se čini da rade ispravno, testirajte utičnicu drugim uređajem.
- Proverite da li je kontrolna tabla ispravno programirana i da li je tajmer podešen.
- Proverite da li su vrata bezbedno zatvorena, aktivirajući sistem za zaključavanje vrata. Ako vrata nisu pravilno zatvorena, mikrotalasna energija neće teći unutra.

UKOLIKO NIŠTA OD NAVEDENOG NE ISPRAVI SITUACIJU, OBRATITE SE KVALIFIKOVANOM TEHNIČARU. NE POKUŠAVAJTE SAMI DA PODEŠAVATE ILI POPRAVLJATE RERNU.

TEHNIKE KUVANJA

1. Pažljivo rasporedite hranu. Postavite najdeblje delove prema spoljašnjoj strani posude.
2. Pazite na vreme kuvanja. Kuvajte što je kraće moguće vreme i po potrebi dodajte još. Prekuvana hrana može da puši ili da se zapali.
3. Pokrijte hranu tokom kuvanja. Poklopci sprečavaju prskanje i pomažu hrani da se ravnomerno kuva.
4. Okrenite namirnice jednom tokom mikrotalasnog kuvanja da biste ubrzali pripremu hrane kao što su piletina i hamburgeri. Veliki komadi kao što je pečenje moraju biti okrenuti bar jednom.
5. Prerasporedite namirnice kao što su ćufte na pola pečenja od vrha do dna i od centra posude prema spolja.

UPUTSTVO ZA PRIBOR ZA KUVANJE

1. Mikrotalasna ne može da prodre u metal. Koristite samo pribor koji je pogodan za upotrebu u mikrotalasnim reernama. Metalne posude za hranu i pića nisu dozvoljene tokom mikrotalasnog kuvanja. Ovaj zahtev se ne primenjuje ako proizvođač navede veličinu i oblik metalnih posuda pogodnih za mikrotalasno kuvanje.
2. Mikrotalasi ne mogu da prodru u metal, tako da metalni pribor ili posude sa metalnom oblogom ne smeju da se koriste.
3. Nemojte koristiti reciklirane proizvode od papira prilikom mikrotalasnog kuvanja, jer mogu sadržati male metalne fragmente koji mogu izazvati varnice i/ili požare.
4. Preporučuju se okrugle /ovalne posude umesto četvrtastih/duguljastih, jer hrana u uglovima teži da se prepeče.
5. Uske trake aluminijumske folije mogu se koristiti da bi se sprečilo prekomerno pečenje izloženih površina. Ali pazite da ne koristite previše i držite razmak od 2,54 cm između folije i šupljine.

Lista u nastavku je opšti vodič koji će vam pomoći da izaberete odgovarajući pribor.

| POSUDE ZA KUVANJE | Mikro-talasi | Grilovanje | Комбинација |
|---|--------------|------------|-------------|
| Staklo otporno na toplotu | Da | Da | Da |
| Staklo koje nije otporno na toplotu | Ne | Ne | Ne |
| Keramika otporna na toplotu | Da | Da | Da |
| Plastično posuđe bezbedno za mikrotalasnu | Da | Ne | Ne |
| Kuhinjski papir | Da | Ne | Ne |
| Metalna tacna | Ne | Da | Ne |
| Metalna polica | Ne | Da | Ne |
| Kontejneri od aluminijumske folije i folije | Ne | Da | Ne |

SPECIFIKACIJE

| | |
|-----------------------------|---|
| Potrošnja struje: | 230-240 V~/50 Hz 1200 W(mikrotalasna); 900 W(gril) |
| Излаз | 700 W |
| Frekvencija rada: | 2450MHz |
| Spoljne dimenzije: | 262 mm(V)×452 mm(Š)×357 mm(D) |
| Dimenzije šupljina pećnice: | 198 mm(V)×315 mm(Š)×297 mm(D) |
| Kapacitet pećnice: | Kompaktnih 20 litara |
| Neto težina | Pribl.11 kg |

DIJAGRAM PROIZVODA

1. Sistem za zaključavanje vrata

2. Prozor pećnice

3. # Šaft #

4. Prsten valjka

5. Kontrolna tabla

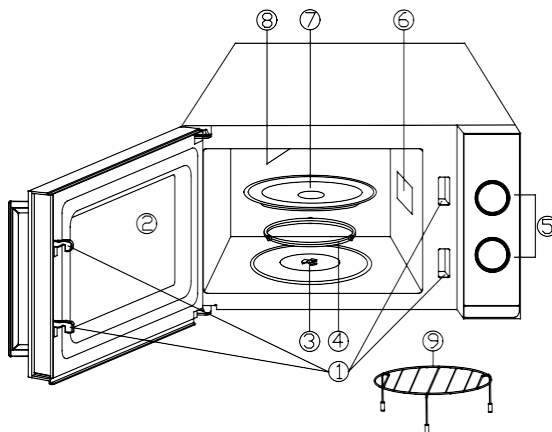
6. Talasni vodič

(Molimo vas da ne uklanjate ploču sljuske koja pokriva talasnu vodilicu)

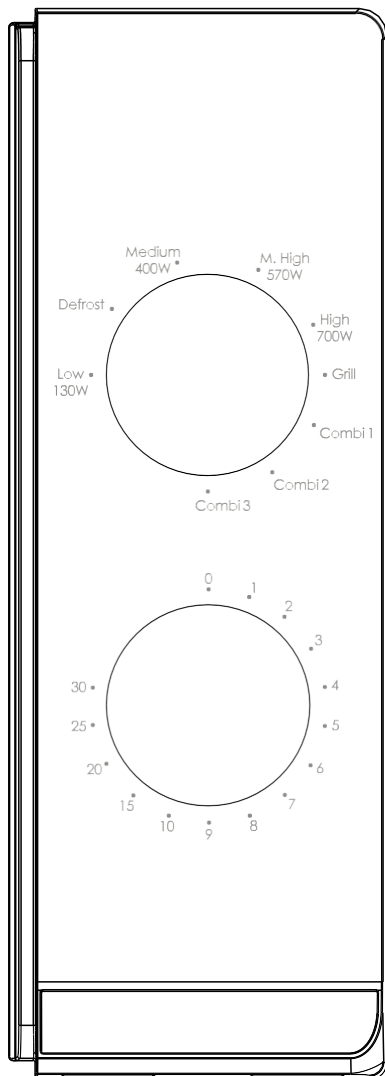
7. Staklena tacna

8. Grejač roštilja

9. Metalna polica



KONTROLNA TABLA



Kontrolna tabla se sastoji od dva operatora funkcija. Jedan je tajmer, a drugi dugme za napajanje.

Izbornik snage / radnje

Koristite ovo dugme za podešavanje nivoa snage kuvanja. To je prvi korak za početak kuvanja.

Dugme tajmera

Nudi podešavanje vizuelnog vremena pri jednostavnom okretanju palca za izbor željenog vremena kuvanja do 30 minuta po sesiji kuvanja.

Kuvanje u mikrotalasnoj pećnici

Za čisto kuvanje u mikrotalasnoj pećnici, postoji pet nivoa snage od kojih možete da izaberete jedan od najboljih za obavljanje trenutnog posla.

Nivo snage se povećava sa okretanjem dugmeta u smeru kazaljke na satu. Nivoi snage mogu se klasifikovati kao sledeći:

| Izlaz napajanja | Opis |
|-----------------|-------------------|
| 700 W | VISOKO |
| 570 W | SREDNJE VISOKO |
| 400 W | SREDNJE |
| | ODMRZAVANJE |
| 130 W | NISKO |

Kuhanje na roštilju

Sa dugmetom koji se okreće u smeru kazaljke na satu i prelazi na najviši nivo snage mikrotalasne, rerna prelazi na funkciju kuvanja na roštilju koja je posebno korisna za tanke kriške mesa, šnicle, kotlete, čevape, kobasice ili komade piletine. Pogodan je i za kuvanje toplih sendviča i gratiniranih jela.

Kombinovano kuvanje

Po svom nazivu, ova operacija kuvanja kombinuje snagu mikrotalasne pećnice sa snagom kuvanja na roštilju. Operacija je kategorizovana u tri nivoa sa različitim podešavanjima kombinovane snage kao što možete videti iz sledeće tabele. Ove namirnice su naročito pogodne za određene namirnice i kulinarske radnje. Kao i za čuvanje toliko željene hrskavosti pojedinih namirnica.

Sledeća tabela prikazuje 3 različita podešavanja snage za kombinovane programe.

| Програм | Vreme kuvanja u mikrotalasnoj | Vreme pečenja na roštilju | Погодан за |
|----------|-------------------------------|---------------------------|--------------------------------|
| Češalj1 | 30 % | 70 % | Riba, krompir, žito |
| Češalj 2 | 49 % | 51 % | Puding, omleti, pečeni krompir |
| Češalj3 | 67 % | 33 % | Живина |

УПУТСТВА ЗА РАД.

Za početak kuvanja,

1. Stavite hranu u rernu i zatvorite vrata.
2. Okrenite dugme za odabir snage da biste izabrali nivo snage.
3. Okrenite dugme tajmera da biste podesili vreme kuvanja.

NAPOMENA: Čim je tajmer uključen, rerna počinje da kuva. Kada birate vreme kraće od 2 minuta, okrenite tajmer duže od 2 minuta i zatim se vratite na tačno vreme.

OPREZ: UVEK VRATITE TAJMER U NULTI POLOŽAJ ako se hrana izvadi iz rerne pre završetka podešenog vremena kuvanja ili kada rerna nije u upotrebi. Da biste zaustavili rernu tokom procesa kuvanja, pritisnite dugme za otpuštanje vrata ili otvorite vrata pomoću ručke.

ČIŠĆENJE I ODRŽAVANJE

1. Isključite rernu i izvadite utikač iz zidne utičnice pre čišćenja.
2. Održavajte unutrašnjost rerne čistom. Kada se hrana isprska ili prosuta tečnost zalepi za zidove rerne, obrišite vlažnom krpom. Blagi deterdžent se može koristiti ako se rerna veoma zaprlja. Izbegavajte upotrebu spreja i drugih grubih sredstava za čišćenje jer mogu da zamažu, zaprljaju ili otupe površinu vrata.
3. Spoljne površine treba očistiti vlažnom krpom. Da bi se sprečilo oštećenje radnih delova unutar rerne, voda ne sme da curi u ventilacione otvore.
4. Obrišite vrata i prozor sa obe strane, zaptivke vrata i susedne delove često vlažnom krpom kako biste uklonili eventualna izlivanja ili prskanja. Nemojte koristiti abrazivno sredstvo za čišćenje.
5. Čistač pare se ne koristi.

6. Ne dozvolite da se kontrolna tabla pokvasi. Očistite mekom, vlažnom krpom. Kada čistite kontrolnu tablu, ostavite vrata rerne otvorena kako biste sprečili slučajno uključivanje rerne.
7. Ako se para akumulira unutar ili oko vrata rerne, obrišite mekom krpom. To može da se desi kada mikrotalasna rerna radi u uslovima visoke vlažnosti. I to je normalno.
8. Povremeno je potrebno ukloniti staklenu tacnu radi čišćenja. Operite poslužavnik u toploj penušavoj vodi ili u mašini za pranje posuđa.
9. Valjkasti prsten i pod rerne treba redovno čistiti kako bi se izbegla prekomerna buka. Jednostavno obrišite donju površinu rerne blagim deterdžentom. Prsten valjka može se prati u blagoj penušavoj vodi ili mašini za pranje posuđa. Prilikom uklanjanja valjkastog prstena sa poda šupljine radi čišćenja, obavezno ga vratite u odgovarajući položaj.
10. Uklonite mirise iz rerne kombinujući čašu vode sa sokom i korom jednog limuna u dubokoj mikrotalasnoj činiji i kuvajte u mikrotalasnoj 5 minuta. Temeljito obrišite i osušite mekom krpom.
11. Kada postane neophodno zameniti svetlo rerne, konsultujte prodavca da ga zameni.
12. Pećnicu treba redovno čistiti i uklanjati naslage hrane. Neodržavanje rerne u čistom stanju može dovesti do pogoršanja površine što može negativno uticati na životni vek uređaja i eventualno dovesti do opasnosti.
13. Nemojte odlagati ovaj uređaj u kantu za đubre; treba ga odlagati u određeni centar za odlaganje koji obezbeđuju opštine.
14. Kada se mikrotalasna rerna sa funkcijom grila prvi put koristi, može proizvesti blagi dim i miris. Ovo je normalna pojava jer je rerna napravljena od čelične ploče obložene uljem za podmazivanje, a nova rerna će proizvesti isparenja i mirise nastale sagorevanjem ulja za podmazivanje. Ova pojava će nestati nakon perioda korišćenja.

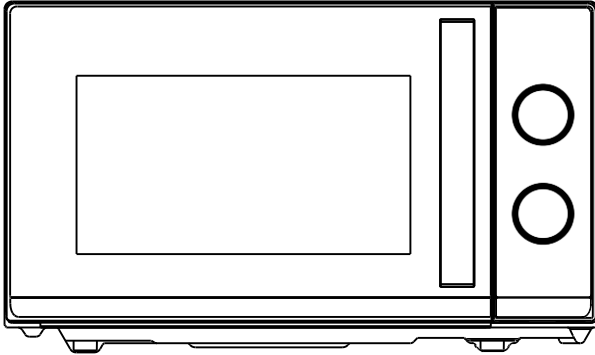


Ovaj uređaj je označen u skladu sa Evropskom direktivom 2012/19/EU o propisima o otpadnoj električnoj i elektronskoj opremi iz 2013. godine u vezi sa električnim i elektronskim uređajima (OEEO). OEEO obuhvata i zagađujuće materije (koje mogu imati negativne posledice po okolinu) i osnovne komponente (koje se mogu ponovo koristiti). Važno je da se OEEO podvrgne posebnim tretmanima, u cilju pravilnog otklanjanja i odlaganja svih zagađivača, kao i vraćanju i recikliranju svih materijala. Svaki pojedinac može pomoći da se obezbedi da OEEO ne postane problem u procesu zaštite životne sredine; od ključnog je značaja pridržavati se nekih osnovnih pravila:

- OEEO se ne sme tretirati kao kućni otpad;
- OEEO se predaje mestima nadležnim za prikupljanje takvog otpada kojima upravljaju opština ili registrovana preduzeća.

U mnogim zemljama, za velike OEEO postoji sakupljanje kod kuće. Kada kupite novi uređaj, stari možete da vratite prodavcu koji je u obavezi da ga preuzme besplatno na bazi jedan-za-jedan, sve dok je oprema odgovarajućeg tipa i ima iste funkcije kao isporučena oprema.

Інструкції для мікрохвильової печі



Модель: CMG20TNMB

Будь ласка, уважно прочитайте ці інструкції перед встановленням та експлуатацією мікрохвильової печі.

ЗМІСТ

| | |
|---|-----------|
| ЗАХОДИ БЕЗПЕКИ ДЛЯ УНИКНЕННЯ МОЖЛИВОГО НАДМІРНОГО ВПЛИВУ МІКРОХВИЛЬОВОЇ ЕНЕРГІЇ..... | 3 |
| ВАЖЛИВІ ІНСТРУКЦІЇ З ТЕХНІКИ БЕЗПЕКИ..... | 3 |
| ПОСІБНИК ІЗ ВСТАНОВЛЕННЯ..... | 6 |
| ІНСТРУКЦІЇ ЩОДО ЗАЗЕМЛЕННЯ | 7 |
| РАДІОПЕРЕШКОДИ | 7 |
| ПЕРШ НІЖ ВИКЛИКАТИ СЛУЖБУ | 8 |
| ТЕХНІКИ ПРИГОТУВАННЯ..... | 8 |
| ПОСІБНИК З КУХОННОГО ПОСУДУ | 9 |
| ТЕХНІЧНІ ХАРАКТЕРИСТИКИ | 10 |
| ДІАГРАМА ПРОДУКТУ | 10 |
| ПАНЕЛЬ УПРАВЛІННЯ | 11 |
| ВИБІР ПОТУЖНОСТІ/ДІЇ | 11 |
| РУЧКА ТАЙМЕРА..... | 11 |
| ПРИГОТУВАННЯ ЇЖИ В МІКРОХВИЛЬОВІЙ ПЕЧІ | 11 |
| ПРИГОТУВАННЯ НА ГРИЛІ | 11 |
| КОМБІНОВАНЕ ПРИГОТУВАННЯ | 12 |
| ІНСТРУКЦІЯ З ЕКСПЛУАТАЦІЇ | 12 |
| ОЧИЩЕННЯ ТА ДОГЛЯД..... | 13 |

ЗАХОДИ БЕЗПЕКИ ДЛЯ УНИКНЕННЯ МОЖЛИВОГО НАДМІРНОГО ВПЛИВУ МІКРОХВИЛЬОВОЇ ЕНЕРГІЇ

1. Не намагайтеся використовувати цю мікрохвильову піч із відкритими дверцятами, оскільки робота з відкритими дверцятами може призвести до шкідливого впливу мікрохвильової енергії. Важливо не пошкодити й не змінювати запобіжні блокування.
2. Не розміщуйте будь-який предмет між передньою поверхнею печі та дверцятами, а також не допускайте накопичення на поверхнях ущільнення бруду або залишків мийних засобів.
3. Не використовуйте мікрохвильову піч, якщо вона пошкоджена. Дуже важливо, щоб дверцята печі правильно закривалися і щоб не було пошкоджень
 - a) дверцят (зокрема будь-яких згинань),
 - b) петель та заціпок (зламаних або ослаблених),
 - c) ущільнень дверцят та поверхонь ущільнення.
4. Жодна особа, окрім кваліфікованого персоналу із сервісного обслуговування, не повинна здійснювати регулювання або ремонт печі.

ВАЖЛИВІ ІНСТРУКЦІЇ З ТЕХНІКИ БЕЗПЕКИ

Під час використання електроприладу слід дотримуватися основних запобіжних заходів, зокрема наступних:

УВАГА! Для зменшення ризику опіків, ураження електричним струмом, пожежі, травм або впливу надмірної мікрохвильової енергії:

1. Прочитайте всі інструкції перед використанням приладу та збережіть їх для подальшого використання.
2. Використовуйте цей прилад тільки за призначенням, як описано в посібнику. Не використовуйте корозійні хімічні речовини або випари в цьому приладі. Цей тип печі спеціально призначений для нагрівання, приготування або сушіння їжі. Цей прилад не призначений для промислового або лабораторного використання.
3. Не використовуйте мікрохвильову піч, коли вона порожня.

4. Не використовуйте цей прилад, якщо він має пошкоджений шнур або вилку, якщо він не працює правильно, або якщо він був пошкоджений або падав. У разі, якщо електричний шнур пошкоджено, його повинен замінити виробник, відповідний сервісний представник або кваліфікований фахівець задля уникнення небезпеки.
5. **УВАГА!** Дозволяйте дітям користуватися приладом без нагляду лише після надання відповідних інструкцій, щоб дитина могла безпечно користуватися пічкою та розуміти небезпеку неналежного використання.
6. **Увага!** Коли прилад працює в комбінованому режимі, діти повинні використовувати його лише під наглядом дорослих через температури, що виробляються.
7. Щоб зменшити ризик пожежі в порожнині печі:
 - a) Під час нагрівання харчових продуктів у пластиковій або паперовій тарі часто перевіряйте піч через можливість займання.
 - b) Перед тим, як помістити паперові або поліетиленові пакети в піч, зніміть із них будь-які зав'язки.
 - c) Якщо ви помітили дим, вимкніть або від'єднайте прилад від джерела живлення і тримайте дверцята зачиненими, щоб заглушити будь-яке полум'я.
 - d) Не використовуйте порожнину для зберігання. Не залишайте паперові вироби, посуд для приготування їжі або їжу в порожнині, коли прилад не використовується.
 - e) Мікрохвильова піч призначена для розігрівання продуктів харчування та напоїв. Сушіння одягу та розігрівання грілок, тапочок, губок, вологої тканини та інших подібних матеріалів може призвести до травми, займання або пожежі.
8. **УВАГА!** Рідину або інші продукти харчування не слід нагрівати в герметичних контейнерах, оскільки вони можуть вибухнути.
9. Мікрохвильове нагрівання напою може призвести до закипання і розбризкування із затримкою, тому слід бути обережним під час перенесення контейнера.
10. Не смажте їжу в печі. Гаряча олія може пошкодити деталі печі та посуд і навіть призвести до опіків шкіри.
11. Яйця в шкарлупі та цілі зварені круто яйця не слід розігрівати в мікрохвильових печах, оскільки вони можуть вибухнути навіть після закінчення мікрохвильового нагрівання.
12. Перед приготуванням проколюйте продукти з твердою шкіркою, зокрема картоплю, цілі гарбузи, яблука та каштани.
13. Вміст пляшок для годування та банок для немовлят слід перемішати або струсити, а перед подачею перевірити температуру, щоб уникнути опіків.
14. Посуд може стати гарячим через тепло, що передається від нагрітої їжі. Для перенесення посуду можуть знадобитися кухонні рукавички.
15. Слід перевірити посуд, щоб переконатися, що він придатний для використання в мікрохвильовій печі.
16. **УВАГА!** Будь-які операції з обслуговування або ремонту, які передбачають зняття покриття, що забезпечує захист від впливу мікрохвильової енергії,

мають виконуватися кваліфікованим фахівцем, в іншому разі це може бути небезпечно.

17. Ця мікрохвильова піч відповідає стандарту EN 55011/CISPR 11, згідно з яким вона належить до класу В групи 2. Група 2 обладнання: група 2 містить все радіочастотне обладнання ISM, в якому радіочастотна енергія в діапазоні частот від 9 кГц до 400 ГГц навмисно генерується і використовується або використовується тільки на місцях, у вигляді електромагнітного випромінювання, індуктивного та/або ємнісного зв'язку, для обробки матеріалу, для цілей огляду/аналізу або для передачі електромагнітної енергії. Обладнання класу В є обладнанням, придатним для використання в місцях у житлових середовищах умовах та в установках, безпосередньо підключених до мережі електропостачання низької напруги, яка живить будівлі, що використовуються для побутових цілей.
18. Цей пристрій не призначений для використання особами (в тому числі дітьми) з обмеженими фізичними, сенсорними або розумовими здібностями, а також особами без необхідного досвіду та знань, якщо вони не перебувають під наглядом або не отримали інструкції щодо використання пристрою з боку особи, яка відповідає за їхню безпеку.
19. Не залишайте дітей без нагляду, а також переконайтеся, що вони не граються з приладом.
20. Мікрохвильова піч використовується лише в автономному режимі.
21. **УВАГА!** Не встановлюйте піч над варильною поверхнею або іншим теплогенеруючим приладом. Під час такого встановлення прилад може бути пошкоджений і гарантія не діятиме.
22. Мікрохвильову піч не слід розміщувати в шафі.
23. Коли прилад працює, дверцята або зовнішня поверхня можуть нагрітися.
24. **Увага!** Доступні частини можуть нагріватися під час використання. Малих дітей слід тримати осторонь.
25. Під час використання прилад стає гарячим. Слід бути обережним та не торкатися нагрівальних елементів всередині печі, для приготування вареної їжі та печі.
26. Температура поверхонь у зоні досяжності, може бути високою, коли прилад працює.
27. Прилад не повинен використовуватися дітьми або особами з обмеженими фізичними, сенсорними або розумовими здібностями, або з відсутністю досвіду та знань, якщо вони не знаходяться під наглядом або не отримали інструкцій.
28. **УВАГА!** Якщо дверцята або ущільнення дверцят пошкоджені, піч не можна вмикати, доки вона не буде відремонтована компетентним фахівцем.
29. У інструкціях повинно бути зазначено, що прилади не призначені для роботи з використанням зовнішнього таймера або окремої системи дистанційного керування.
30. Мікрохвильова піч призначена лише для побутового використання, а не для комерційного.

31. Ніколи не знімайте прокладку для збереження відстані в задній частині або збоку, оскільки вона забезпечує мінімальну відстань від стіни для циркуляції повітря.
32. Будь ласка, закріпіть поворотний стіл перед переміщенням приладу, щоб уникнути пошкоджень.
33. Застереження! Ремонт або обслуговування приладу повинен здійснювати тільки фахівець, оскільки це потребує зняття кришки, яка забезпечує захист від мікрохвильового випромінювання. Це стосується також заміни шнура живлення або освітлення. У таких випадках відправте прилад до нашого сервісного центру.
34. Мікрохвильова піч призначена лише для розморожування, приготування та пропарювання їжі.
35. Використовуйте рукавички, якщо ви виймаєте будь-які нагріті продукти харчування.
36. Застереження! Під час відкривання кришки чи розгортання фольги вийде пара.
37. Даний пристрій може використовуватися дітьми віком від 8 років та особами з обмеженими фізичними, сенсорними або розумовими здібностями, а також особами без необхідного досвіду та знань, якщо вони перебувають під наглядом або отримали інструкції щодо безпечного використання пристрою і розуміють можливу небезпеку. Не дозволяйте дітям гратися з пристроєм. Очищення та технічне обслуговування не має здійснюватися дітьми віком до 8 років та без нагляду.
38. У разі виділення диму, вимкніть або від'єднайте прилад від джерела живлення і тримайте дверцята зачиненими, щоб заглушити будь-яке полум'я.

ПОСІБНИК ІЗ ВСТАНОВЛЕННЯ

1. Переконайтеся, що всі пакувальні матеріали видалені зсередини приладу.
2. УВАГА! Перевірте піч на наявність будь-яких пошкоджень, таких як неправильно вирівняних або зігнутих дверцят, пошкодженого ущільнення дверцят та поверхонь ущільнення, зламаних або ослаблених петель дверцят, защіпок та вм'ятин усередині порожнини або на дверцятах. У разі будь-яких пошкоджень не використовуйте піч та зверніться до кваліфікованого персоналу із сервісного обслуговування.
3. Цю мікрохвильову піч потрібно розмістити на плоскій, стабільній поверхні, щоб утримувати її вагу та найважчу їжу, яка, ймовірно, буде приготована в печі.
4. Не встановлюйте піч там, де утворюється тепло або висока вологість, або поблизу горючих матеріалів.
5. Для правильної роботи піч повинна мати достатній потік повітря. Залиште щонайменше 20 см потрібного вільного простору над верхньою поверхнею печі та 5 см з обох боків. Задня пластина мікрохвильової печі повинна бути розміщена близько до стіни. Не закривайте та не блокуйте будь-які отвори на приладі. Не знімайте ніжки.

6. Не використовуйте піч без скляного лотка, роликової опори та вала в належних положеннях.
7. Переконайтеся, що шнур живлення не пошкоджений і не проходить під приладом або над будь-якою гарячою або гострою поверхнею.
8. Розетка повинна бути легкодоступною, щоб прилад можна було легко від'єднати в надзвичайній ситуації.
9. Не використовуйте піч на вулиці.

ІНСТРУКЦІ ЩОДО ЗАЗЕМЛЕННЯ

Цей прилад повинен бути заземлений. Ця піч обладнана шнуром із заземлюючим дротом та заземлюючою вилкою. Вона повинна бути підключена до настінної розетки, яка правильно встановлена та заземлена. У разі короткого замикання заземлення зменшує ризик ураження електричним струмом, забезпечуючи дріт для відведення електричного струму. Рекомендується забезпечити окремий контур, що обслуговує лише мікрохвильову піч. Використання високої напруги є небезпечним і може призвести до пожежі або іншої аварії, що призведе до пошкодження печі.

УВАГА! Неправильне використання вилки заземлення може створити ризик ураження електричним струмом.

Примітка:

1. Якщо у вас виникають запитання щодо інструкцій із заземлення або електрики, зверніться до кваліфікованого електрика або фахівця із сервісного обслуговування.
2. Ні виробник, ні дилер не несуть жодної відповідальності за пошкодження печі або травми, спричинені недотриманням процедур електричного підключення.

Дроти в цій кабельній мережі мають кольорове позначення відповідно до такого коду: Зелений і жовтий = ЗАЗЕМЛЕННЯ

Синій = НУЛЬ

Коричневий = ФАЗА

РАДІОПЕРЕШКОДИ

Робота мікрохвильової печі може спричинити перешкоди для радіо, телевізора або подібного обладнання. У разі виникнення перешкод вони можуть бути зменшені або усунені шляхом вжиття наступних заходів:

1. Очистіть дверцята та поверхню ущільнення печі.
2. Переорієнтуйте приймальну антену радіо або телебачення.
3. Перемістіть мікрохвильову піч відносно приймача.
4. Перемістіть мікрохвильову піч подалі від приймача.

5. Підключіть мікрохвильову піч до іншої розетки так, щоб вона та приймач були на різних гілках.

ПЕРШ НІЖ ВИКЛИКАТИ СЛУЖБУ

Перш ніж подати запит на обслуговування, перевірте кожен пункт нижче:

- Перевірте, чи піч підключена надійно. Якщо ні, витягніть вилку з розетки, зачекайте 10 секунд та знову надійно підключіть її.
- Перевірте, чи не перегорів запобіжник або чи не вимкнуто головний вимикач. Якщо вони працюють правильно, перевірте розетку за допомогою іншого приладу.
- Перевірте, чи правильно запрограмована панель управління та встановлено таймер.
- Перевірте, щоб дверцята були надійно зачинені, увімкнувши систему блокування дверцят. Якщо дверцята не закриті правильно, мікрохвильова енергія не буде спрямована всередину.

ЯКЩО ЖОДЕН ІЗ НАВЕДЕНИХ ВИЩЕ ПУНКТИВ НЕ ВИПРАВЛЯЄ СИТУАЦІЮ, ЗВЕРНІТЬСЯ ДО КВАЛІФІКОВАНОГО ТЕХНІКА. НЕ НАМАГАЙТЕСЯ НАЛАШТУВАТИ АБО РЕМОНТУВАТИ ПІЧ САМОСТІЙНО.

ТЕХНІКИ ПРИГОТУВАННЯ

1. Акуратно розкладіть їжу. Покладіть найтовщі ділянки із зовнішнього боку посудини.
2. Спостерігайте за часом приготування. Готуйте протягом найкоротшого зазначеного часу і додайте більше за потреби. Сильно перетримана їжа може диміти або зайнятися.
3. Накрийте продукти під час приготування. Кришка запобігає розбризкуванню і допомагає продуктам готуватися рівномірно.
4. Переверніть їжу один раз під час приготування в мікрохвильовій печі, щоб пришвидшити приготування таких продуктів, як курка та гамбургери. Великі страви, такі як печеня, слід перевернути хоча б один раз.
5. Змініть розташування їжі, наприклад, фрикадельок, щойно мине половина часу приготування, як зверху донизу, так і з центру страви назовні.

ПОСІБНИК З КУХОННОГО ПОСУДУ

1. Мікрохвильове випромінювання не може проникати крізь метал. Використовуйте тільки посуд, який підходить для використання в мікрохвильових печах. Не дозволяється використовувати металеві контейнери для їжі та напоїв під час приготування в мікрохвильовій печі. Ця вимога не стосується випадків, коли виробник зазначає розмір і форму металевих контейнерів, які підходять для використання в мікрохвильовій печі.
2. Мікрохвильове випромінювання не може проникати крізь метал, тому не слід використовувати металевий посуд або посуд із металевим обрамленням.
3. Не використовуйте перероблені паперові вироби під час приготування в мікрохвильовій печі, оскільки вони можуть містити дрібні металеві фрагменти, які можуть спричинити іскри та/або пожежу.
4. Рекомендується використовувати круглий/овальний посуд, а не квадратний/прямокутний, оскільки їжа в кутах зазвичай перегрівається.
5. Можна використовувати вузькі смужки алюмінієвої фольги для запобігання перегріванню відкритих ділянок. Але будьте обережні, не використовуйте занадто багато фольги й зберігайте відстань 2,54 см між фольгою та порожниною.

Нижченаведений список є загальними рекомендаціями, які допоможуть вам вибрати правильний посуд.

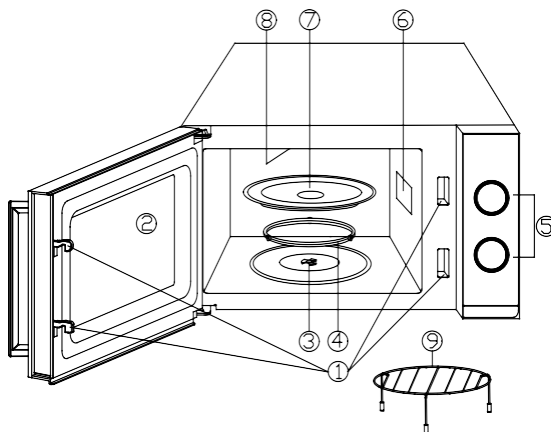
| Посуд | Мікрохвильова піч | Гриль | Комбінований режим |
|---|-------------------|-------|--------------------|
| Термостійке скло | Так | Так | Так |
| Не термостійке скло | Ні | Ні | Ні |
| Термостійка кераміка | Так | Так | Так |
| Пластиковий посуд, безпечний для мікрохвильового випромінювання | Так | Ні | Ні |
| Кухонний папір | Так | Ні | Ні |
| Металевий лоток | Ні | Так | Ні |
| Металева стійка | Ні | Так | Ні |
| Алюмінієва фольга та контейнери з фольги | Ні | Так | Ні |

ТЕХНІЧНІ ХАРАКТЕРИСТИКИ

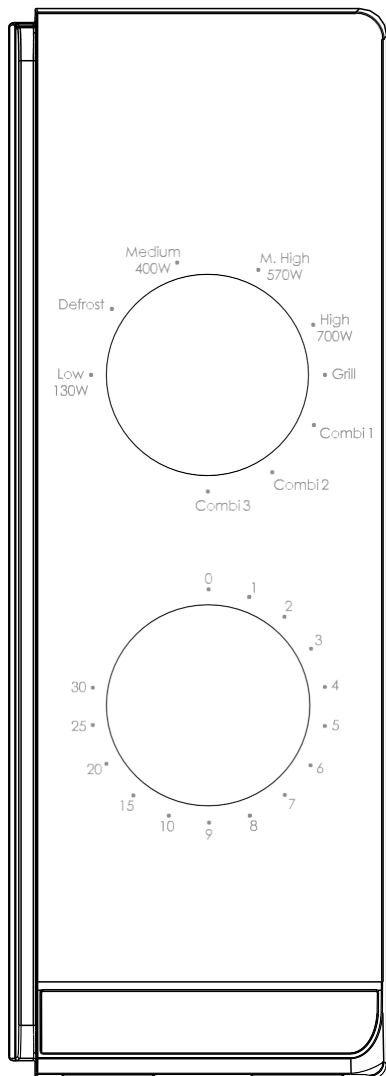
| | |
|-------------------------|--|
| Споживана потужність: | 230-240 В/50 Гц, 1200 Вт(мікрохвильова піч); 900 Вт (гриль) |
| Результат | 700 Вт |
| Робоча частота: | 2450 МГц |
| Зовнішні розміри | 262 мм(В)×452 мм (Ш)×357 мм(Г) |
| Розміри порожнини печі: | 198 мм (В) × 315 мм (Ш) × 297 мм (Г) |
| Об'єм печі: | Компактний 20 л |
| Вага нетто: | Приблизно 11 кг |

ДІАГРАМА ПРОДУКТУ

1. Система блокування дверцят
2. Віконце печі
3. Вал
4. Роликове кільце
5. Панель управління
6. Посібник по хвилях
(Будь ласка, не знімайте слюдяну пластину, що закриває хвилевод)
7. Скляний лоток
8. Нагрівач гриля
9. Металева стійка



ПАНЕЛЬ УПРАВЛІННЯ



Панель управління складається з двох функціональних операторів. Один - це ручка часу, а інший - ручка живлення.

Вибір потужності/дії

Використовуйте цю ручку оператора, щоб вибрати рівень потужності приготування. Це перший крок до початку сеансу приготування.

Ручка таймера

Запропонуйте налаштування візуального часу на легкому повороті великого пальця, щоб вибрати потрібний час приготування до 30 хвилин на сеанс приготування.

Приготування їжі в мікрохвильовій печі

Для чистого приготування в мікрохвильовій печі існує п'ять рівнів потужності, з яких можна вибрати один, який найкраще підходить для роботи під рукою.

Рівень потужності збільшується при повороті ручки за годинниковою стрілкою. Рівні потужності можна класифікувати наступним чином:

| Вихідну потужність | Опис |
|--------------------|---------------|
| 700 Вт | ВИСОКИЙ |
| 570 Вт | M.HIGH |
| 400 Вт | Мед |
| | РОЗМОРОЖЕННЯ: |
| 130 Вт | НИЗЬКИЙ |

Приготування на грилі

Коли ручка повертається за годинниковою стрілкою, пропускаючи найвищий рівень мікрохвильової потужності, духовка переходить до функції приготування на грилі, яка особливо корисна для тонких шматків м'яса, стейків, відбивних,

шашликів, ковбас або шматків курятини. Він також підходить для приготування гарячих бутербродів і страв з ґратену.

Комбіноване приготування

За своєю назвою ця операція приготування поєднує в собі мікрохвильову потужність з потужністю приготування на грилі. Робота класифікується на три рівні з різними налаштуваннями потужності комбінації, як ви можете бачити з наступної таблиці. Вони особливо підходять для певних продуктів харчування та кулінарних операцій. А також для збереження бажаної хрусткості певних продуктів.

У наступній таблиці показано 3 різних налаштування живлення для комбінованих програм.

| Програма | Час приготування в мікрохвильовій печі | Час приготування на грилі | Підходить для |
|----------|--|---------------------------|-----------------------------------|
| Comb1 | 30 % | 70 % | Риба, картопля, овочеве зерно |
| Comb2 | 49 % | 51 % | Пудинг, омлети, запечена картопля |
| Comb3 | 67 % | 33 % | Птиця |

ІНСТРУКЦІЯ З ЕКСПЛУАТАЦІЇ

Щоб розпочати сеанс приготування,

1. Помістіть їжу в духовку та зачиніть дверцята.
2. Поверніть селектор потужності, щоб вибрати рівень потужності.
3. Поверніть ручку таймера, щоб встановити час приготування.

ПРИМІТКА: Як тільки таймер увімкнено, духовка починає готувати. Вибираючи час менше 2 хвилин, поверніть таймер на минулі 2 хвилини, а потім поверніться до потрібного часу.

ЗАСТЕРЕЖЕННЯ: ЗАВЖДИ ПОВЕРТАЙТЕ ТАЙМЕР У НУЛЬОВЕ ПОЛОЖЕННЯ, якщо їжу вийнято з духовки до завершення встановленого часу приготування або коли духовка не використовується. Щоб зупинити духовку під час приготування їжі, натисніть кнопку відчинення дверцят або відкрийте дверцята за ручку.

ОЧИЩЕННЯ ТА ДОГЛЯД

1. Перед очищенням вимкніть піч та від'єднайте кабель живлення від розетки.
2. Тримайте внутрішню частину печі чистою. Коли бризки від їжі або розлиту рідини прилипають до стінок печі, протріть їх вологою тканиною. Якщо піч сильно забруднена, можна використовувати м'які мийні засоби. Уникайте використання розпилювача або інших агресивних очищувачів, оскільки вони можуть залишати плями та смуги на дверцятах або приглушити колір їх поверхні.
3. Зовнішні поверхні слід очищувати вологою тканиною. Щоб запобігти пошкодженню робочих частин всередині печі, не допускайте потрапляння води у вентиляційні отвори.
4. Часто протирайте дверцята та вікно з обох боків, а також ущільнення дверцят та прилеглі частини вологою тканиною, щоб усунути будь-які розливи або бризки. Не використовуйте абразивні очищувачі.
5. Не слід використовувати парочисник.
6. Запобігайте потраплянню вологи на панель управління. Очищування здійснюйте м'якою вологою тканиною. Під час очищення панелі управління залиште дверцята печі відкритими, щоб запобігти випадковому її ввімкненню.
7. Якщо пара накопичується всередині або навколо зовнішніх дверцят печі, протріть їх м'якою тканиною. Це може виникнути, коли мікрохвильова піч працює в умовах високої вологості. І це нормально.
8. Іноді потрібно виймати скляний піддон для очищення. Мийте піддон у теплій мильній воді або в посудомийній машині.
9. Роликів кільце та основу печі слід регулярно очищати, щоб уникнути надмірного шуму. Просто протріть нижню поверхню печі м'яким мийним засобом. Роликів кільце можна промити в м'якій мильній воді або в посудомийній машині. Після виймання роликів кільця з основи порожнини для очищення, обов'язково встановіть його назад у правильне положення.
10. Усуньте запахи з печі, наливши чашку води та додавши сік та шкірку лимону в посуд, придатний приготування в мікрохвильовій печі. Увімкніть мікрохвильову піч на 5 хвилин. Ретельно протріть та висушіть м'якою тканиною.
11. Коли потрібно замінити освітлення печі, зверніться в службу підтримки клієнтів для здійснення такої заміни.
12. Піч слід регулярно очищати, а будь-які залишки харчових продуктів слід видаляти. Непідтримання чистого стану печі може призвести до погіршення стану поверхні, що може негативно вплинути на термін служби приладу і, можливо, призвести до небезпечної ситуації.
13. Будь ласка, не викидайте цей прилад у контейнер для побутового сміття; його слід утилізувати в спеціалізованому центрі утилізації, створеному міською владою.
14. Коли мікрохвильова піч із функцією гриля використовується вперше, вона може спричинити появу невеликої кількості диму й легкого запаху. Це звичне явище, оскільки піч виготовлена зі сталевих пластин, покритої змазкою, а нова піч вироблятиме випари й запах, що утворюються під час спалювання цієї змазки. Це явище зникне через певний час використання.

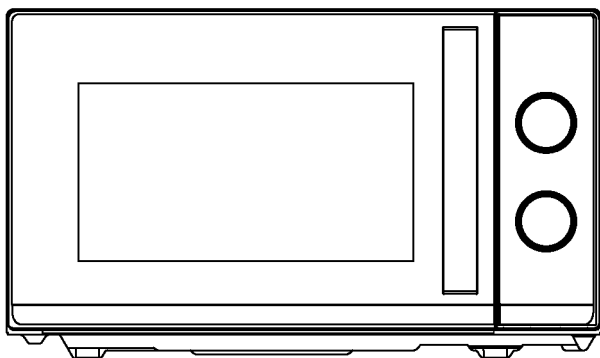


Цей прилад маркується відповідно до Європейської Директиви 2012/19/ЄС щодо Регламенту відходів електричного та електронного обладнання 2013 року щодо електричних та електронних приладів (WEEE). ВЕЕО містять як забруднюючі речовини (які можуть негативно впливати на навколишнє середовище), так і базові елементи (які можуть бути використані повторно). Важливо, щоб ВЕЕО проходили спеціальну обробку для належного усунення та переробки забруднюючих речовин, а також для відновлення всіх матеріалів. Фізичні особи можуть відігравати важливу роль у забезпеченні того, щоб ВЕЕО не стали проблемою для навколишнього середовища; необхідно дотримуватися певних основних правил:

- ВЕЕО не слід поміщати разом з побутовими відходами.
- ВЕЕО слід доправити в спеціалізовані пункти збору, які управляються міською владою або зареєстрованою компанією.

У багатьох країнах для великих ВЕЕО здійснюється забір із дому. Коли ви купуєте новий прилад, старий може бути повернений у точку роздрібної торгівлі, яка повинна безкоштовно забрати його за принципом один до одного, за умови якщо це аналогічне обладнання, яке має ті ж функції, що й новий прилад.

Instrukcja obsługi kuchenki mikrofalowej



Model: CMG20TNMB

Prosimy o dokładne zapoznanie się z niniejszą instrukcją przed instalacją i obsługą kuchenki.

SPIS TREŚCI

| | |
|--|-----------|
| SPIS TREŚCI | 1 |
| ŚRODKI OSTROŻNOŚCI ZAPOBIEGAJĄCE NARAŻENIU NA NADMIERNE PROMIENIOWANIE ENERGII MIKROFALOWEJ | 2 |
| WAŻNE INSTRUKCJE DOTYCZĄCE BEZPIECZEŃSTWA | 2 |
| PRZEWODNIK INSTALACJI | 5 |
| INSTRUKCJE DOTYCZĄCE UZIEMIENIA | 5 |
| ZAKŁÓCENIA RADIOWE | 6 |
| ZANIM WEZWIESZ SERWIS | 6 |
| TECHNIKI GOTOWANIA | 7 |
| PRZEWODNIK PO NACZYNIACH DO GOTOWANIA | 7 |
| SPECYFIKACJA | 8 |
| SCHEMAT PRODUKTU | 8 |
| PANEL STEROWANIA | 9 |
| PRZEŁĄCZNIK ZASILANIA/DZIAŁANIA | 9 |
| POKRĘTŁO MINUTNIKA | 9 |
| GOTOWANIE MIKROFALOWE | 9 |
| GOTOWANIE NA GRILLU | 10 |
| GOTOWANIE KOMBINOWANE | 10 |
| INSTRUKCJA OBSŁUGI | 10 |
| CZYSZCZENIE I PIELEGNACJA | 11 |

ŚRODKI OSTROŻNOŚCI ZAPOBIEGAJĄCE NARAŻENIU NA NADMIERNE PROMIENIOWANIE ENERGII MIKROFALOWEJ

1. Nie wolno obsługiwać kuchenki przy otwartych drzwiczkach, aby nie narażać się na szkodliwe napromieniowanie energią mikrofalową. Ważne jest, aby nie naruszyć blokad bezpieczeństwa ani nie manipulować nimi.
2. Nie umieszczać żadnych przedmiotów pomiędzy przednią ścianką a drzwiczkami, ani nie dopuszczać do gromadzenia się brudu lub pozostałości środków czyszczących na powierzchni uszczelek.
3. Jeśli urządzenie jest uszkodzone, nie wolno go podłączać. Bardzo ważne jest, aby drzwiczki kuchenki zamykały się prawidłowo i aby nie doszło do uszkodzenia, takich elementów jak
 - a) Drzwiczki (w tym wszelkie wygięcia),
 - b) Zawiasy i zatrzaski (złamanie lub poluzowanie),
 - c) Uszczelki drzwiczek i powierzchnie uszczelniające.
4. Kuchenka nie powinna być regulowana ani naprawiana przez nikogo poza wykwalifikowanym personelem serwisowym.

WAŻNE INSTRUKCJE DOTYCZĄCE BEZPIECZEŃSTWA

Podczas korzystania z urządzenia elektrycznego należy przestrzegać podstawowych zasad bezpieczeństwa, w tym:

OSTRZEŻENIE: Aby zmniejszyć ryzyko oparzeń, porażenia prądem, pożaru, obrażeń osób lub narażenia na nadmierne działanie energii mikrofal:

1. Przeczytaj wszystkie instrukcje przed użyciem urządzenia i zachowaj je na przyszłość.
2. Używaj tego urządzenia tylko zgodnie z jego przeznaczeniem i według opisu w niniejszej instrukcji. Nie używaj w tym urządzeniu żrących chemikaliów ani oparów. Ten rodzaj kuchenki jest specjalnie zaprojektowany do podgrzewania, gotowania lub suszenia żywności. Nie jest przeznaczony do użytku komercyjnego ani przemysłowego.
3. Nie używać kuchenki, gdy jest pusta.
4. Nie używać urządzenia, jeśli ma uszkodzony przewód lub wtyczkę, nie działa prawidłowo albo zostało uszkodzone lub upuszczone. Jeśli kabel zasilający ulegnie uszkodzeniu, dla bezpieczeństwa należy zlecić jego wymianę producentowi, autoryzowanemu serwisowi lub osobom o podobnych kwalifikacjach
5. **OSTRZEŻENIE:** Zezwalaj dzieciom na korzystanie z kuchenki bez nadzoru wyłącznie po przekazaniu odpowiednich instrukcji umożliwiających im bezpieczne korzystanie z kuchenki i zrozumienie zagrożeń związanych z niewłaściwym użytkowaniem.

6. Ostrzeżenie: Gdy urządzenie pracuje w trybie kombinowanym, dzieci powinny używać go tylko pod nadzorem osoby dorosłej ze względu na wytwarzaną temperaturę.
7. Aby zmniejszyć ryzyko pożaru w komorze kuchenki:
 - a) Podczas podgrzewania żywności w plastikowym lub papierowym pojemniku nie należy pozostawiać kuchenki bez nadzoru ze względu na możliwość zapłonu;
 - b) Zdjąć druciane elementy z papierowych lub plastikowych torebek przed ich włożeniem do kuchenki mikrofalowej.
 - c) W przypadku dostrzeżenia dymu należy wyłączyć lub odłączyć od zasilania urządzenie i pozostawić zamknięte drzwiczki, aby zdławić płomień.
 - d) Nie używać komory kuchenki do przechowywania. Nie zostawiać produktów papierowych, przyborów kuchennych ani żywności w komorze, gdy nie jest używana.
 - e) Kuchenka mikrofalowa jest przeznaczona do podgrzewania potraw i napojów. Suszenie odzieży i podgrzewanie wkładów rozgrzewających, kapci, gąbek, wilgotnej ściereczki itp. może stwarzać ryzyko obrażeń, zapłonu lub pożaru.
8. **OSTRZEŻENIE:** Nie wolno podgrzewać płynów ani innych produktów spożywczych w szczelnie zamkniętych pojemnikach, ponieważ mogą eksplodować.
9. Podgrzewanie mikrofalowe napojów może prowadzić do ich opóźnionego gwałtownego wrzenia, dlatego należy zachować ostrożność przy korzystaniu z pojemnika.
10. Nie smażyć żywności w kuchence. Gorący olej może uszkodzić części kuchenki i przybory kuchenne, a nawet spowodować oparzenia skóry.
11. W kuchenkach mikrofalowych nie należy podgrzewać jajek w skorupkach ani całych jajek ugotowanych na twardo, ponieważ mogą one eksplodować nawet po zakończeniu podgrzewania.
12. Przed gotowaniem nakłuć produkty z grubą skórką, takie jak ziemniaki, całe kabaczki, jabłka i kasztany.
13. Zawartość butelek i słoiczków z jedzeniem dla niemowląt należy wymieszać lub wstrząsnąć i sprawdzić temperaturę przed podaniem do spożycia, aby uniknąć poparzeń.
14. Przybory kuchenne mogą się nagrzewać z powodu ciepła przenoszonego z podgrzanej żywności. Do obsługi naczyń mogą być potrzebne uchwyty.
15. Należy sprawdzić, czy naczynia nadają się do użytku w kuchence mikrofalowej.
16. **OSTRZEŻENIE:** Wszelkie naprawy i konserwacje wymagające zdjęcia pokrywy chroniącej przed narażeniem na promieniowanie mikrofalowe powinna przeprowadzać wyłącznie przeszkolona osoba, aby nie stwarzać niebezpieczeństwa.
17. Ta kuchenka mikrofalowa spełnia normę EN 55011/CISPR 11; zgodnie z tą normą należy do klasy B grupy 2. Urządzenia grupy 2: grupa 2 obejmuje wszystkie urządzenia ISM RF, w których energia o częstotliwości radiowej w zakresie od 9 kHz do 400 GHz jest celowo generowana i używana lub wykorzystywana tylko lokalnie, w postaci promieniowania elektromagnetycznego, sprzężenia indukcyjnego i/lub pojemnościowego, do obróbki materiału, do celów kontroli/analizy lub do przenoszenia energii elektromagnetycznej. Sprzęt klasy B jest odpowiedni do użytku w środowisku mieszkalnym oraz w zakładach bezpośrednio podłączonych do sieci niskiego napięcia, która zasilą budynki wykorzystywane do celów mieszkaniowych.

18. To urządzenie nie może być użytkowane przez osoby (w tym dzieci) o ograniczonej sprawności fizycznej, czuciowej lub umysłowej ani przez osoby bez odpowiedniego doświadczenia i wiedzy, chyba że będą one dozorowane lub zostaną odpowiednio poinstruowane.
19. Należy pilnować dzieci, aby nie bawiły się urządzeniem.
20. Kuchenka mikrofalowa jest używana tylko w wersji wolnostojącej.
21. **OSTRZEŻENIE:** Nie instaluj kuchenki nad płytą kuchenną lub innym urządzeniem wytwarzającym ciepło. W przeciwnym razie może dojść do uszkodzenia i wygaśnięcia gwarancji.
22. Kuchenki mikrofalowej nie należy umieszczać w szafce.
23. Drzwiczki lub powierzchnia zewnętrzna mogą się nagrzewać podczas pracy urządzenia.
24. Ostrzeżenie: Dostępne elementy mogą się silnie nagrzewać podczas użytkowania. Małe dzieci nie powinny znajdować się w pobliżu urządzenia.
25. W trakcie użytkowania urządzenie silnie się nagrzewa. Należy uważać, aby nie dotykać elementów grzejnych w komorze kuchenki i piekarnika.
26. Temperatura dostępnych powierzchni może być wysoka podczas pracy urządzenia.
27. Urządzenie nie może być użytkowane przez dzieci ani osoby o ograniczonej sprawności fizycznej, czuciowej lub umysłowej ani przez osoby bez odpowiedniego doświadczenia i wiedzy, chyba że będą one nadzorowane lub zostaną odpowiednio poinstruowane.
28. **OSTRZEŻENIE:** Jeśli drzwiczki lub uszczelki drzwiczek są uszkodzone, kuchenki nie wolno uruchamiać, dopóki nie zostanie naprawiona przez kompetentną osobę.
29. Zgodnie z instrukcją urządzenia nie są przeznaczone do obsługi za pomocą zewnętrznego minutnika lub niezależnego systemu zdalnego sterowania.
30. Kuchenka mikrofalowa jest przeznaczona wyłącznie do użytku domowego, a nie komercyjnego.
31. Nigdy nie zdejmuj uchwyty dystansowego z tyłu lub po bokach, ponieważ zapewnia on minimalną odległość od ściany dla cyrkulacji powietrza.
32. Należy zabezpieczyć talerz obrotowy przed przeniesieniem urządzenia, aby uniknąć uszkodzeń.
33. Uwaga: Naprawy lub konserwacja urządzenia wykonywane przez osobę bez odpowiednich kwalifikacji są niebezpieczne, ponieważ w takich okolicznościach należy zdjąć pokrywę, która zapewnia ochronę przed promieniowaniem mikrofalowym. Dotyczy to również wymiany przewodu zasilającego lub oświetlenia. W takich przypadkach odeślij urządzenie do naszego centrum serwisowego.
34. Kuchenka mikrofalowa jest przeznaczona wyłącznie do rozmrażania, gotowania i gotowania na parze żywności.
35. Użyj rękawiczek przy wyjmowaniu podgrzanej żywności.
36. Ostrożnie! Podczas otwierania pokrywek lub zdejmowania folii ulatnia się para.
37. Urządzenie może być obsługiwane przez dzieci powyżej 8 roku życia i przez osoby o ograniczonych możliwościach fizycznych, sensorycznych lub umysłowych lub osoby nieposiadające doświadczenia ani wiedzy pod warunkiem, że są one pod odpowiednim nadzorem lub zostały poinstruowane, jak bezpiecznie obsługiwać urządzenie i rozumieją związane z nim zagrożenia. Dzieci nie powinny bawić się

urządzeniem. Czyszczenie i konserwacja nie mogą być wykonywane przez dzieci, jeśli nie ukończyły 8 lat lub pozostają bez dozoru.

38. W przypadku wydobywania się dymu należy wyłączyć lub odłączyć od zasilania urządzenie i pozostawić zamknięte drzwiczki, aby zdławić płomień.

PRZEWODNIK INSTALACJI

1. Upewnij się, że wszystkie materiały opakowaniowe zostały usunięte z wewnętrznej strony drzwiczek.
2. **OSTRZEŻENIE:** Sprawdzić kuchenkę pod kątem uszkodzeń, takich jak nierówne lub wygięte drzwi, uszkodzone uszczelki drzwiczek i powierzchnia uszczelniająca, złamane lub poluzowane zawiasy oraz zatrzaski i wgniecenia wewnątrz wnęki lub na drzwiczkach. W przypadku stwierdzenia jakichkolwiek uszkodzeń nie wolno używać kuchenki i należy skontaktować się z wykwalifikowanym personelem serwisowym.
3. Ta kuchenka mikrofalowa musi być ustawiona na płaskiej, stabilnej powierzchni, aby utrzymać jej ciężar własny i najwyższą wagę gotowanych produktów spożywczych.
4. Nie umieszczać kuchenki w miejscach, w których wytwarzane jest ciepło, wilgoć lub wysoka wilgotność, ani w pobliżu materiałów palnych.
5. Aby zapewnić prawidłowe działanie, kuchenka musi mieć wystarczający przepływ powietrza. Pozostawić minimum 20 cm wolnej przestrzeni nad górną powierzchnią kuchenki i 5 cm po obu stronach. Tyłną płytę kuchenki mikrofalowej należy umieścić blisko ściany. Nie zakrywać ani nie blokować żadnych otworów w urządzeniu. Nie demontować nóżek.
6. Nie używać kuchenki bez szklanej tacki, wspornika rolki i wałka ustawionych we właściwych pozycjach.
7. Upewnij się, że przewód zasilający nie jest uszkodzony i nie jest ułożony pod kuchenką ani nad gorącą lub ostrą powierzchnią.
8. Gniazdko musi być łatwo dostępne, aby można je było łatwo odłączyć w sytuacji awaryjnej.
9. Nie używać kuchenki na zewnątrz.

INSTRUKCJE DOTYCZĄCE UZIEMIENIA

Urządzenie musi być uziemione. Kuchenka jest wyposażona w kabel z przewodem uziemiającym i wtyczką uziemiającą. Wtyczka musi być włożona do prawidłowo zainstalowanego i uziemionego gniazdka ściennego. W przypadku zwarcia elektrycznego uziemienie zmniejsza ryzyko porażenia prądem elektrycznym za pomocą przewodu ucieczkowego dla prądu elektrycznego. Zaleca się zapewnienie oddzielnego obwodu obsługującego tylko kuchenkę. Używanie wysokiego napięcia jest niebezpieczne i może spowodować pożar lub inny wypadek powodujący uszkodzenie kuchenki.

OSTRZEŻENIE---Niewłaściwe użycie wtyczki uziemiającej może spowodować ryzyko porażenia prądem.

Uwaga:

1. Jeśli masz jakiegokolwiek pytania dotyczące uziemienia lub instrukcji elektrycznych, skonsultuj się z wykwalifikowanym elektrykiem lub serwisantem.
2. Producent ani sprzedawca nie ponoszą żadnej odpowiedzialności za uszkodzenie kuchenki lub obrażenia ciała wynikające z nieprzestrzegania procedur połączeń elektrycznych.

Przewody w tej magistrali kablowej są oznaczone kolorami zgodnie z następującym kodem:

Żółto-zielony = OCHRONNY PE

Niebieski = NEUTRALNY N

Brązowy = FAZOWY L

ZAKŁÓCENIA RADIOWE

Działanie kuchenki mikrofalowej może powodować zakłócenia w działaniu radia, telewizora lub podobnego sprzętu. W przypadku wystąpienia zakłóceń można je zmniejszyć lub wyeliminować, podejmując następujące działania:

1. Oczyszczyć drzwiczki i powierzchnię uszczelniającą kuchenki.
2. Zmienić kierunek ustawienia anteny odbiorczej radia lub telewizji.
3. Zmienić położenie kuchenki mikrofalowej w stosunku do odbiornika.
4. Odsunąć kuchenkę mikrofalową od odbiornika.
5. Podłączyć kuchenkę mikrofalową do innego gniazdka, aby kuchenka mikrofalowa i odbiornik znajdowały się w różnych obwodach odgałęzionych.

ZANIM WEZWIESZ SERWIS

Zanim zwrócisz się do serwisu, sprawdź każdy z poniższych elementów:

- Sprawdź, czy kuchenka jest prawidłowo podłączona. Jeśli nie, wyjmij wtyczkę z gniazdka, odczekaj 10 sekund i ponownie bezpiecznie ją podłącz.
- Sprawdź, czy nie doszło do przepalenia bezpiecznika obwodu lub wyzwolenia głównego wyłącznika obwodu. Jeśli wydaje się, że działają prawidłowo, przetestuj gniazdko za pomocą innego urządzenia.
- Sprawdź, czy panel sterowania jest poprawnie zaprogramowany i czy jest ustawiony minutnik.
- Sprawdź, czy drzwiczki są dobrze zamknięte, włączając system blokady drzwiczek. Jeśli drzwiczki nie zostaną prawidłowo zamknięte, energia mikrofalowa nie będzie przepływać do środka.

JEŚLI ŻADNA Z POWYŻSZYCH CZYNNOŚCI NIE ROZWIĄŻE PROBLEMU, NALEŻY SKONTAKTOWAĆ SIĘ Z WYKWALIFIKOWANYM TECHNIKIEM. NIE PRÓBUJ REGULOWAĆ LUB NAPRAWIAĆ KUCHENKI SAMODZIELNIE

TECHNIKI GOTOWANIA

1. Starannie ułóż jedzenie. Umieść najgrubsze warstwy na zewnątrz naczynia.
2. Pilnuj czasu gotowania. Gotuj przez najkrótszy wskazany czas i wydłuż go w razie potrzeby. Potrawy mocno rozgotowane mogą się przypalić lub zająć.
3. Przykryj żywność podczas gotowania. Pokrywki zapobiegają rozpryskiwaniu się i pomagają równomiernie gotować potrawy.
4. Podczas gotowania w mikrofalówce odwróć raz przyrządzane jedzenie, aby przyspieszyć gotowanie takich dań jak kurczak czy hamburgery. Duże potrawy, takie jak pieczeń, należy odwrócić co najmniej raz.
5. Przekładaj dania, takie jak klopsiki w połowie gotowania, zarówno od góry do dołu, jak i od środka naczynia na zewnątrz.

PRZEWODNIK PO NACZYNIACH DO GOTOWANIA

1. Mikrofałe nie przenikają przez metal. Używać wyłącznie przyborów odpowiednich do kuchenek mikrofalowych. Podczas gotowania w kuchence mikrofalowej nie wolno używać metalowych pojemników na żywność i napoje. Wymóg ten nie ma zastosowania, jeśli producent określi rozmiar i kształt metalowych pojemników nadających się do gotowania w kuchence mikrofalowej.
2. Mikrofałe nie przenikają przez metal, dlatego nie należy używać metalowych przyborów lub naczyń z metalowymi wykończeniami.
3. Podczas gotowania w kuchence mikrofalowej nie używać produktów z papieru z recyklingu, ponieważ mogą one zawierać małe fragmenty metalu, które mogą powodować iskry i/lub pożary.
4. Zalecane są naczynia okrągłe/owalne, a nie kwadratowe/prostokątne, ponieważ jedzenie w rogach ma tendencję do przypalania się.
5. Można użyć wąskich pasków folii aluminiowej, aby zapobiec rozgotowaniu odsłoniętych obszarów. Należy uważać, aby nie używać zbyt dużo folii i zachować odległość 1 cala (2,54 cm) między folią a komorą kuchenki.

Poniższa lista jest ogólnym przewodnikiem, który pomoże Ci wybrać właściwe przybory kuchenne.

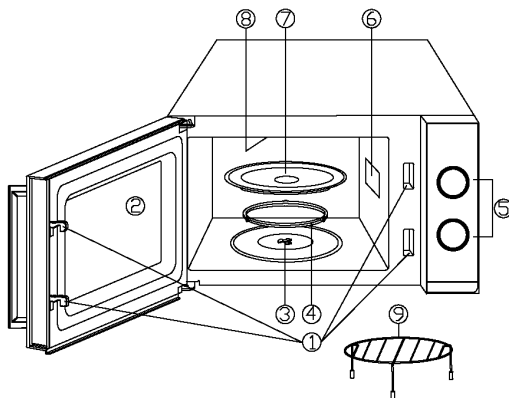
| Naczynia | Kuchenska mikrofalowa | Grill | Kombinacja |
|--|-----------------------|-------|------------|
| Szkoło żaroodporne | Tak | Tak | Tak |
| Szkoło nieodporne na ciepło | Nie | Nie | Nie |
| Ceramika żaroodporna | Tak | Tak | Tak |
| Plastikowe naczynie nadające się do mikrofalówki | Tak | Nie | Nie |
| Papier do pieczenia | Tak | Nie | Nie |
| Metalowa taca | Nie | Tak | Nie |
| Metalowy stojak | Nie | Tak | Nie |
| Folia aluminiowa i pojemniki foliowe | Nie | Tak | Nie |

SPECYFIKACJA

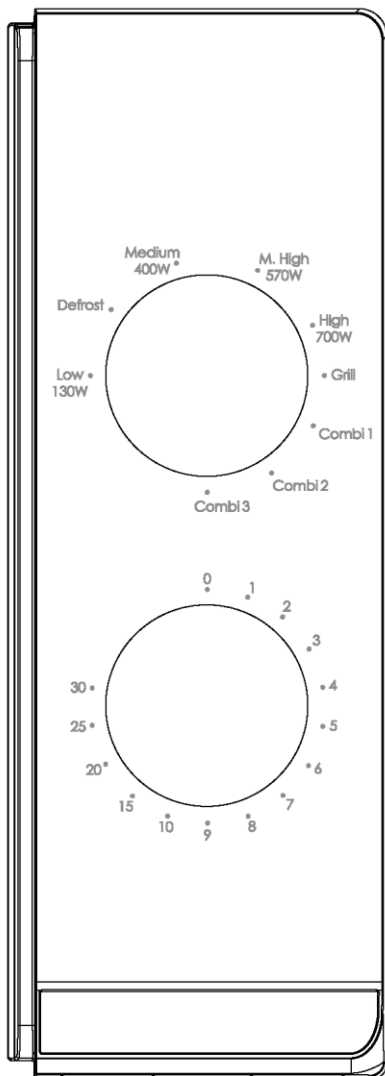
| | |
|-------------------------|---|
| Pobór energii | 230-240V/50Hz, 1200W(mikrofalówka); 900W(grill) |
| Wyjście | 700W |
| Częstotliwość robocza | 2450MHz |
| Wymiary zewnętrzne | 262 mm (wys) x 452 mm (szer) x 357 mm (gł) |
| Wymiary komory kuchenki | 198 mm (wys) x 315 mm (szer) x 297 mm (gł) |
| Pojemność kuchenki | Kompakt 20 litrów |
| Waga netto | Okolo 11 kg |

SCHEMAT PRODUKTU

1. System blokowania drzwiczek
2. Okienko kuchenki
3. Wałek
4. Pierścień rolkowy
5. Panel sterowania
6. Prowadnica falowa
7. Szklana taca
8. Podgrzewacz grilla
9. Metalowy stojak



PANEL STEROWANIA



Panel sterowania składa się z dwóch operatorów funkcyjnych. Jedno pokrętko do ustawiania czasu, a drugie do regulacji mocy.

Przełącznik zasilania/działania

Za pomocą tego pokrętła operatora można wybrać poziom mocy gotowania. To pierwszy krok do rozpoczęcia sesji gotowania.

Pokrętko minutnika

Umożliwia łatwe ustawienie czasu na wyświetlaczu jednym ruchem kciuka w celu wybrania wymaganego czasu gotowania do 30 minut na sesję gotowania.

Gotowanie mikrofalowe

Do gotowania w mikrofalówce dostępnych jest pięć poziomów mocy, z których można wybrać ten, który najlepiej nadaje się do wykonania zadania.

Poziomy mocy wzrasta wraz z obracaniem pokrętła zgodnie z ruchem wskazówek zegara. Poziomy mocy można sklasyfikować w następujący sposób:

| Moc wyjściowa | Opis |
|---------------|-------------|
| 700W | WYSOKI |
| 570W | ŚR. WYSOKI |
| 400W | ŚREDNI |
| | ROZMRAŻANIE |
| 130W | NISKI |

Gotowanie na grillu

Po przekręceniu pokrętki zgodnie z ruchem wskazówek zegara, przechodząc do najwyższego poziomu mocy mikrofal, kuchenka przełącza się na funkcję grillowania, która jest szczególnie przydatna w przypadku przyrządzania cienkich plastrów mięsa, steków, kotletów, kebabów, kiełbasek lub kawałków kurczaka. Nadaje się również do przygotowywania gorących kanapek i dań zapiekanych.

Gotowanie kombinowane

Ta opcja gotowania łączy moc mikrofal z grillowaniem. Proces jest podzielony na trzy poziomy z różnymi łączonymi ustawieniami mocy, jak widać w poniższej tabeli. Jest to szczególnie odpowiednie do przyrządzania niektórych dań i wykonywania określonych czynności kulinarnych. Jak również do utrzymywania pożądanej kruchości niektórych potraw.

Poniższa tabela przedstawia 3 różne ustawienia mocy dla programów kombinowanych.

| Program | Czas gotowania w kuchenke mikrofalowej | Czas gotowania na grillu | Zastosowanie |
|---------|--|--------------------------|-----------------------------------|
| Comb1 | 30% | 70% | Ryba, ziemniaki, zapiekanki |
| Comb2 | 49% | 51% | Budyń, omlety, pieczone ziemniaki |
| Comb3 | 67% | 33% | Drób |

INSTRUKCJA OBSŁUGI

Aby rozpocząć sesję gotowania,

1. Włóż żywność do kuchenki i zamknij drzwiczki.
2. Przekręć przełącznik mocy, aby wybrać poziom mocy.
3. Przekręć pokrętko minutnika, aby ustawić czas gotowania.

UWAGA: Po przekręceniu minutnika kuchenka zaczyna gotować. Wybierając czas krótszy niż 2 minuty, należy przekręcić minutnik powyżej 2 minut, a następnie powrócić do żądanego ustawienia czasu.

UWAGA: ZAWSZE USTAWIAJ MINUTNIK Z POWROTEM DO POZYCJI ZERO, jeśli żywność zostanie wyjęta z kuchenki przed zakończeniem ustawionego czasu gotowania lub gdy kuchenka nie jest używana. Aby zatrzymać działanie kuchenki podczas gotowania, naciśnij przycisk otwierania drzwiczek lub otwórz drzwiczki za pomocą uchwytu.

CZYSZCZENIE I PIELEGNACJA

1. Przed przystąpieniem do czyszczenia wyłącz kuchenkę i wyjmij wtyczkę z gniazdka.
2. Pozostaw wnętrze kuchenki w czystości. Jeśli rozpryski żywności lub rozlane płyny przylgną do ścian kuchenki, przetrzyj je wilgotną szmatką. W przypadku silnego zabrudzenia kuchenki można użyć łagodnego detergentu. Unikaj używania spray'u i innych agresywnych środków czyszczących, ponieważ mogą one poplamieć, zmatowić powierzchnię drzwiczek lub pozostawić na niej smugi.
3. Powierzchnie zewnętrzne należy czyścić wilgotną szmatką. Aby zapobiec uszkodzeniu części roboczych wewnątrz kuchenki, woda nie może dostać się do otworów wentylacyjnych.
4. Często wycieraj wilgotną szmatką drzwiczki i okienko po obu stronach, uszczelki drzwiczek i sąsiednie części, aby usunąć wszelkie rozlane płyny lub rozpryskane pozostałości żywności. Nie używać ściernych środków czyszczących.
5. Nie używać odkurzacza parowego.
6. Nie dopuścić do zamoczenia panelu sterowania. Czyścić miękką, wilgotną ściereczką. Podczas czyszczenia panelu sterowania pozostaw otwarte drzwiczki kuchenki, aby zapobiec przypadkowemu włączeniu urządzenia.
7. Jeśli wewnątrz lub na zewnątrz drzwiczek kuchenki gromadzi się para, wytrzyj ją miękką ściereczką. Może się to zdarzyć, gdy kuchenka mikrofalowa pracuje w warunkach wysokiej wilgotności. To zjawisko jest normalne.
8. Czasami konieczne jest wyjęcie szklanej tacy do czyszczenia. Umyj tacę w ciepłej wodzie z mydłem lub w zmywarce.
9. Pierścień wałka i spód kuchenki należy regularnie czyścić, aby uniknąć nadmiernego hałasu. Wystarczy przetrzeć dolną powierzchnię kuchenki łagodnym detergentem. Pierścień rolkowy można myć w łagodnej wodzie z mydłem lub w zmywarce. W przypadku wyjęcia pierścienia rolkowego z dna komory w celu wyczyszczenia, upewnij się, że został on umieszczony z powrotem we właściwej pozycji.
10. Usuń zapachy z kuchenki, wkładając do niej nadającą się do mikrofalówki głęboką miseczkę z roztworem szklanki wody z sokiem i skórką z jednej cytryny i podgrzewając przez 5 minut. Spłucz i wysusz miękką ściereczką.
11. W przypadku konieczności wymiany oświetlenia w kuchence należy skonsultować się ze sprzedawcą.
12. Kuchenkę należy regularnie czyścić i usuwać z niej resztki jedzenia. Zaniedbania w utrzymaniu kuchenki w czystości mogą prowadzić do uszkodzenia jej powierzchni, co może niekorzystnie wpłynąć na okres użytkowania urządzenia, a w rezultacie spowodować zagrożenie.
13. Nie wolno wyrzucać tego urządzenia do domowego kosza na śmieci. Należy je oddać do punktu utylizacji udostępnionego przez gminę.
14. Przy pierwszym użyciu kuchenki mikrofalowej z funkcją grilla może wydzielać się lekki dym i zapach. Jest to normalne zjawisko, ponieważ kuchenka jest wykonana ze stalowej płyty pokrytej olejem smarującym i nowe urządzenie będzie wytwarzać opary i zapachy generowane przez jego spalanie. Zjawisko to ustąpi po pewnym okresie użytkowania.



To urządzenie jest oznakowane zgodnie z Dyrektywą Europejską 2012/19/UE w sprawie przepisów dotyczących zużytego sprzętu elektrycznego i elektronicznego z 2013 r. dotyczących urządzeń elektrycznych i elektronicznych (WEEE). Zużyty sprzęt elektryczny i elektroniczny zawiera substancje zanieczyszczające (które mogą wywierać negatywny wpływ na środowisko) oraz elementy podstawowe (które nadają się do ponownego wykorzystania). Ważne jest właściwe przetwarzanie zużytego sprzętu elektrycznego i elektronicznego w celu prawidłowego usunięcia i utylizacji wszystkich substancji zanieczyszczających oraz odzyskania pozostałych materiałów. Każdy może odegrać ważną rolę w zadaniu o to, by zużyty sprzęt elektryczny i elektroniczny nie zagrażał środowisku. Zasadnicze znaczenie ma przestrzeganie kilku podstawowych zasad:

- Zużytego sprzętu elektrycznego i elektronicznego nie należy traktować jak odpadów z gospodarstwa domowego;
- Zużyty sprzęt elektryczny i elektroniczny powinien być odwożony do wyznaczonych punktów zbiórki odpadów zarządzanych przez radę miasta lub zarejestrowaną firmę.

W wielu krajach organizowane są lokalne zbiórki dużego zużytego sprzętu elektrycznego i elektronicznego. Po zakupie nowego urządzenia, stare można oddać dostawcy, który musi je bezpłatnie przyjąć w ramach wymiany, jeśli to urządzenie jest podobnego typu i ma takie same funkcje jak urządzenie zakupione.