

0DQXDOH GL LQVWDOODJLRQH C
&DOGDLD GD SDUHHH D

4XLQWD 3

*HQWLOH FOLHQWH

JUDJLH SHU DYHU DFTXLVWDWR TXHVWR DSSDUHFFKLR

/HJJD DWWHQWDPHQWH LO SUHVHQWH PDQXDOH SULPD GL XWLOL]]DUH LO SURGR
YH 3HU JDUDQWLUH XQ FRVWDQWH IXQ]LRQDPHQWR HIILFLHQWH H VLFXUR FRQV
GRWWR /D QRWUD RUJDQL]]D]LRQH GL DVVLVWHQ]D H SRVW YHQGLWD SX' IRUQ
&L DXJULDPR SRVVD XVXIUXLUH SHU DQQL GL XQ IXQ]LRQDPHQWR SULYR GL LQF

,QGLFH

6LFXUH]]D

,VWUX]LRQL JHQHUDOL SHU OD VLFXUH]]D
5DFFRPDQGD]LRQL
5HVSQRVDELQW¢
5HVSQRVDELQW¢ GHO SURGXWWRUH
5HVSQRVDELQW¢ GHOO LQVWDOODWRUH
5HVSQRVDELQW¢ GHOO XWHQWH

\$ SURSRVLWR GL TXHVWR PDQXDOH

6LPEROL XWLQ]]DWL
6LPEROL XWLQ]]DWL QHO PDQXDOH

&DUDWWHULVWLFKH 7HFQLFKH

1RUPH H 2PRORJD]LRQL
&HUWLILFD]LRQL
&DWHJRULH GL XQLW¢
'LUHWWLYH
'DWL WHFQLFL
'LPHQVLRQL H FROOHJDPHQWL
6FKHPD HOHWWULFR

'HVFUL]LRQH GHO SURGRWWR

3ULQFLSLR GL IXQ]LRQDPHQWR
3RPSD GL FLUFROD]LRQH
&RPSRQHQL SULQFLSDOL
'HVFUL]LRQH GHO SDQQHOOR GL FRQWUROOR
6LJQLILFDWR GL FLDVFXQ WDVWR
6LJQLILFDWR GHL VLPEROL YLVXDOL]]DWL VXO GLVSOD\

3ULPD GHOO LQVWDOOD]LRQH

1RUPH VXOO LQVWDOOD]LRQH
\$UHD GL LQVWDOOD]LRQH
7DUJKHWWD LGHQWLILFDWLYD
3RVL]LRQH GHOO FDOGDLD
9HQWLQD]LRQH

,QVWDOOD]LRQH

*HQHUDOLW¢
&ROOHJDPHQWL LGUDXOLFL
5LVFLDFTXR GHOO LPSLDQWR
&ROOHJDPHQWL LQJUHVVWR DULD IXPL
&ODVVLILFD]LRQH
8VFLWH
0DWHULDOH
'XQJKH]]D GHL WXEL GHOO DULD GHL IXPL
'LQHH JXLGD DJJLXQWLYH
5LHPSLPHQWR GHOO LPSLDQWR
7UDWWDPHQWR GHOO DFTXD
5LHPSLPHQWR GHO VLIRQH
5LHPSLPHQWR GHOO LPSLDQWR

0HVVD LQ VHUYL]LR

5HJROD]LRQL YDOYROD JDV
\$GDWWDPHQWR D XQ GLYHUVR WLSR GL JDV
&RQWUROOR H LPSRVWD]LRQH GHO UDSSRUWR JDV DULD

0DQXWHQ]LRQH

*HQHUDOLW¢
,QWHUYHQWL GL LVSH]LRQH H PDQXWHQ]LRQH VWDQGDUG
&RQWUROOR GHOO SUHVVLQRH GHOO DFTXD
&RQWUROOR GHOO FRUUHQWH GL LRQL]]D]LRQH
&RQWUROOR GHL FROOHJDPHQWL GL XVFLWD IXPL LQJUHVVWR DULD
&RQWUROOR GHOO FRPEXVLRQH
&RQWUROOR GHOO VILDWR DXWRPDWULFR

,QGLFH

3XOLJLD GHO VLIRQH
&RQWUROOR GHO EUXFLDWRUH H SXOLJLD GHOOR VFDPELDWRUH SULF

5LVROXJLRQH GHL SUREOHPL
&RGLFL GL HUURUH

6PDOWLPHQWR
5LPRJLRQH ULFLFODJJLR

\$SSHQGLFH
,QIRUPDJLRQL VX (U3
6FKHGD SURGRWWR
6FKHGD G LQVLHPH

6LFXUH]]D

,VWUX]LRQL JHQHUDOL SHU OD VLFXUH]]D

3HU O LQVWDOODWRUH



3HULFROR

,Q FDVR GL RGRUH GL JDV

1RQ XWLOL]]DUH ILDPPH OLEHUH
QRQ D]LRQDUH FRQWDWWL R LQV
FDPDQHOOL OXFL PRWRUL D
,QWHUURPSHUH O DOLPHQWD]LR
\$SULUH OH ILQHVVUH
,QGLYLGXDUH OH HYHQWXDOL SH
LPPHGLDWDPHQWH
6H OD SHUGLWD^a D PRQWH GH
DYYHUWLUH OD VRFLHW^c GLVWU



3HULFROR

,Q FDVR GL HVDOD]LRQL GL IXPR

6SHJQHUH OD FDOGDLD
\$SULUH OH ILQHVVUH
,QGLYLGXDUH OH HYHQWXDOL SH
LPPHGLDWDPHQWH



\$WWHQ]LRQH

7HUPLQDWL JOL LQWHUYHQWL GL
]LRQH FRQWUROODUH WXWR O L
H DFFHUWDUVL FKH QRQ YL VLDQR

3HU O XWHQWH ILQDOH



3HULFROR

,Q FDVR GL RGRUH GL JDV

1RQ XWLOLJ]DUH ILDPPH OLEHUH
QRQ D]LRQDUH FRQWDWWL R LQV
FDPDQHOOL OXFL PRWRUL D
,QWHUURPSHUH O DOLPHQWD]LR
\$SULUH OH ILQHVVUH
\$EEDQGRQDUH L ORFDOL
&RQWDWWDUH XQ LQVWDOODWRU



3HULFROR

6H FL VRQR HVDOD]LRQL GL IXPR

6SHJQHUH OD FDOGDLD
\$SULUH OH ILQHVVUH
\$EEDQGRQDUH L ORFDOL
&RQWDWWDUH XQ LQVWDOODWRU



\$YYHUWHQJD

1RQ WRFFDUH L WXEL GHL IXPL \$
VWD]LRQL GHOOD FDOGDLD OD WH
IXPL SX' VXSHUDUH L r&



\$YYHUWHQJD

1RQ WRFFDUH L UDGLDWRUL SHU S
OXQJDWL \$ VHFRQGD GHOOH LPSR
GDLD OD WHPSHUDWXUD GHL UDG
r&



\$YYHUWHQJD

/ XVR GHOOD FDOGDLD H O LQVWD
XWHQWH ILQDOH GHYRQR OLPLWDU
VFULWWH LQ TXHVWR PDQXDOH 4X
]LRQH GHYH HVVHUH HIIHWWXDWD
UH LQVWDOODWRUH TXDOLILFDWR



\$WWHQ]LRQH

\$YHU FXUD GL VRWRSRUUH OD FD
]LRQH UHJRODUH 3HU OD PDQXWH
GDLD ULYROJHUVL D XQ LQVWDOO
SXODUH XQ FRQWUDWWR GL PDQXY



\$WWHQ]LRQH

8WLOLJ]DUH HVFOXVLYDPHQWH UL



,PSRUWDQWH

9HULILFDUH FRQ UHJRODULWç OD
SUHVVLQRH QHOOLPSLDQWR GL U

5DFFRPDQGDJLRQL

**3HULFROR**

/ DSSDUHFFKLR SX' HVVHUH XWLO
 HWç SDUL R VXSHULRUH D RWR D
 FDSDFLWç ILVLFKH VHQVRULDOL P
 YH GL FRPSHWHQJD HG HVSHULHQJ
 VRJJHWWH D VXSHUYLVLRQH R YH
 LVWUXJLRQL VXOO XVR VLFXUR GH
 VFKL FRUUHODWL 1RQ ODVFLDUH
 FRQ O DSSDUHFFKLR /H RSHUDJLR
 QXWHQJLRQH QRQ GHYRQR HVVHUH
 EDPELQL VHQJD VXSHUYLVLRQH

**\$YYHUWHQJD**

/ LQVWDOODJLRQH H OD PDQXWHQJ
 GHYRQR HVVHUH HIIHWWXDWH GD
 ULJJDWR LQ FRQIRUPLWç DOOH YL
 SUHVFULJLRQL QD]LRQDOL H ORFD

**\$YYHUWHQJD**

/ LQVWDOODJLRQH H OD PDQXWHQJ
 GHYRQR HVVHUH HIIHWWXDWH GD
 ILFDWR LQ FRQIRUPLWç FRQ OH LQ
 QHO PDQXDOH LQ GRWDJLRQH ,Q
 WUHEEH ULFRUUHUH LQ VLWXDJLR
 QL

**\$YYHUWHQJD**

/D ULPRJLRQH H OR VPDOWLPHQWR
 QR HVVHUH HVHJXLWL GD XQ LQVW
 FRQIRUPLWç DOOH QRUPDWLYH OR

**\$YYHUWHQJD**

3HU HYLWDUH VLWXDJLRQL GL SHU
 PHQWDJLRQH ^a GDQQHJJLDWR OD V
 YH HVVHUH HVHJXLWD GDO SURGX
 FHVVLQRDULR R GD XQ DOWUD SHU
 GHOH RSSRUWXQH FRPSHWHQHJH

**\$YYHUWHQJD**

4XDQGR VL LQWHUYLHQH VXOOD F
 VHPSUH O DOLPHQWDJLRQH HOHWV
 QHWR SULQFLSDOH GHO JDV

**\$YYHUWHQJD**

8QD YROWD WHUPLQDWL WDOL LQV
 WXDOH SUHVHQJD GL SHUGLWH QH



3HULFROR

3HU TXHVWLRQL GL VLFXUHJJD VL
ULUH L ULOHYDWRUL GL IXPR H GL
LQ SRVL]LRQL DGHJXDWH DOO LQW
WD]LRQH



\$WWHQ]LRQH

- \$FFHUWDUVL FKH OD FDOGDLD VL
VLDVL PRPHQWR
- /D FDOGDLD GHYH HVVHUH LQVWD
SURWHWR GDO JHOR
- ,Q FDVR GL FROOHJDPHQWR ILVVF
PHQWD]LRQH RFFRUUH VHPSUH P
UXWWRUH SULQFLSDOH ELSRODUH
DSHUWXUD GHL FRQWDWWL SDUL
(1
- 6YXRWDUH OD FDOGDLD H O LPSL
WR FHQWUDOL]]DWR VH O DELWD]
WD SHU XQ OXQJR SHULRGR H LQ
JHOR
- /D SURWH]LRQH DQWLJHOR YLHQH
OD FDOGDLD QRQ ^a LQ IXQ]LRQH
- /D SURWH]LRQH GHOOD FDOGDLD
PHQWH OD FDOGDLD H QRQ O LQW
- 9HULILFDUH UHJRODUPHQWH OD S
QHOO LPSLDQWR 6H OD SUHVVL
ULRUH D EDU UDEE ~~8888888888~~
DFTXD FRQVLJOLDWD FRPSUHVD V



,PSRUWDQWH

&RQVHUYDUH TXHVWR GRFXPHQWR



,PSRUWDQWH

*OL HOHPHQWL GHO PDQWHOOR SR
XQLFDPHQWH SHU ODYRUL GL PDQ
]LRQH 5LPRQWUDUH WXWWL L SDQC
WDWL L ODYRUL GL PDQXWHQ]LRQ



,PSRUWDQWH

/H WDUJKHWWH GL LVWUX]LRQH H
YRQR PDL HVVHUH ULPRVVH Q« FR
VXOWDUH OHJJLELOL SHU WXWWD
GDL 6RVWLWXLUH LPPHGLDWDPH
LVWUX]LRQH H DYYHUWLPHQWR UR



,PSRUWDQWH

/H PRGLILFKH DOOD FDOGDLD ULFK
QH VFU ~~5555555555~~ L

5HVSRQVDELOLWç

5HVSRQVDELOLWç GHO SURC

, QRVWUL SURGRWWL VRQR IDEEULFD
 VLWL GHOOH YDULH GLUHWLWLYH DSS
 FRQVHJQDWL FRQçODLPçBFBçWçWçL QI
 UL 1HOO LQWHUHVVH GHOOD TXDOLW
 PR FRQWLQXDPHQWH GL PLJOLRUDUO
 LO GLULWWR GL PRGLILFDUH OH VSHF
 GRFXPHQWR

/D QRVWUD UHVSRQVDELOLWç LQ TXD
 WUç HVVHUH FKLDPDWD LQ FDXVD QH

- 0DQFDWR ULVSHWWR GHOOH LVWUXJ
 SDUHFFKLR
- 0DQFDWD RVVHUYDQJD GHOOH LVWU
 UHFFKLR
- 0DQFDWD R LQVXIILFLHQWH PDQXWH
 FKL

5HVSRQVDELOLWç GHOO LQV

/ LQVWDOODWRUH^a UHVSRQVDELOH G
 SULPD PHVVD LQ IXQ]LRQH GHOO DSS
 GHYH ULVSHWWDUH OH VHJXHQWL LV

- /HJJHUH H VHJXLUH OH LVWUXJLRQL
 IRUQLWL FRQ O DSSDUHFFKLR
- ,QVWDOODUH O DSSDUHFFKLR LQ FR
 OHJJL YLJHQWL
- (IIHWWXDUH OD PHVVD LQ VHUYL]LR
 FRQWUROOL QHFHVVDUL
- 6SLHJDUH O LQVWDOOD]LRQH DOO X
- ,Q FVDR GL QHFHVVLWç GL PDQXWHG
 WHQWH FLUFD O REEOLJR GL HVHJXL
 UHFFKLR H GL SUHVHUYDUH TXHVW X
 IXQ]LRQDPHQWR FRUUHWWH
- &RQVHJQDUH DOO XWHQWH WXWWL L

5HVSRQVDELOLWç GHOO XWI

3HU JDUDQWLUH XQ IXQ]LRQDPHQWR
 VSHWWDUH OH VHJXHQWL LVWUXJLRQ

- /HJJHUH H VHJXLUH OH LVWUXJLRQL
 IRUQLWL FRQ O DSSDUHFFKLR
- 5LYROJHUVL D SURIHVVLRQLVWL TXD
 VWDOOD]LRQH HG HVHJXLUH OD SUL
- &KLHGHUH DOO LQVWDOODWRUH GL
 GHOO LPSLDQWR

-)DU HVHJXLUH D XQ LQVWDOODWRUH
]LRQH H OH LVSH]LRQL QHFHVVDULH
- &RQVHUYDUH LO PDQXDOH GL LVWUX
QL H YLFLQR DOO DSSDUHFFKLR

\$ SURSRVLWR GL TXHVWR PDQXDOH

6LPEROL XWLQJ]DWL

6LPEROL XWLQJ]DWL QHO PDQXDOH

,O SUHVHQWH PDQXDOH XWLQJ]DWL YDUL OLYHOOL
QH VX LVWUX]LRQL SDUWLFRODUL 4XHVWR DO ILC
WHQWH SUHYHQLUH SUREOHP H JDUDQWLUH LO
UHFFKLR



3HULFROR

5LVFKLR GL VLWXD]LRQL SHULFRORVH FKH SR
VRQDOL JUDYL



3HULFROR GL VFRVVD HOHWWULFD

5LVFKLR GL VFRVVD HOHWWULFD



\$YYHUWHQJD

5LVFKLR GL VLWXD]LRQL SHULFRORVH FKH SR
VRQDOL PLQRUL



\$WWHQ]LRQH

5LVFKLR GL GDQQL PDWHULDOL



,PSRUWDQWH

6HJQDOD XQ LQIRUPD]LRQH LPSRUWDQWH



9HGHH

5LIHULPHQWR DG DOWUL PDQXDOL R SDJLQH

&DUDWWHULVWLFKH 7HFQLFKH

1RUPH H 2PRORJD]LRQL

&HUWLILFD]LRQL

7DE &HUWLILFD]LRQL

1 GL LGHQWLILFD]LRQL	1RQH &/(
&ODVVH 12[(1 ;
7LSR GL FROOHJD]LRQL	PHWR
	& & & & & &

&DWHJRULH GL XQLW

7DE &DWHJRULH GL XQLW

3DHVH	&DWHJRULD	7LSR GL JDV	3UHVVLQRH GL FROOHJD]LRQL
6YL]]HUD 6SDJQD 8QJKHULD ,WDOLD 5RPDQLD 7XUFKLD	,,+ % 3	* JDV + * SURSDQR	
6YL]]HUD 6SDJQD ,WDOLD 5RPDQLD 7XUFKLD 8QJKHULD 6YL]]HUD 6SDJQD 8QJKHULD ,WDOLD 7XUFKLD 5RPDQLD			

'LUHWWLYH

2OWUH DOOH GLUHWLYH H DL UHTXLVLWL GL OH
OLQHH JXLGD VXSSOHPHQWDUL SUHVHQWL QHO PD
(YHQWXdOL VXSSOHPHQWL R VxFFHVLYH QRUPDV
WR GHOO LQVWDOOD]LRQH VRQR GD LQWHQGHHVL
QHH JXLGD GHILQLWH QHO SUHVHQWH PDQXDOH

'DWL WHFQLFL

7DE *HQHUDOLW

4XLQWD 3UR						
3RWHQ]D QRPLQDOH 3Q PLQ PD[N:)XQ]LRQDPHQWR ULVFDO]DPHQWR FHQWUDOL]o]DWR r& r&						
3RWHQ]D QRPLQDOH 3Q PLQ PD[N:)XQ]LRQDPHQWR ULVFDO]DPHQWR FHQWUDOL]o]DWR r& r&						
3RUWDWD QRPLQDOH 4Q PLQ PD[N:)XQ]LRQDPHQWR ULVFDO]DPHQWR FHQWUDOL]o]DWR +L						
3RUWDWD QRPLQDOH 4Q PLQ N:)XQ]LRQDPHQWR 5& +L * SURSDQR						

4XLQWD 3UR						
3RUWDWD QRPLQDOH 4Q PLQ PD[N:)XQJLRQDPHQWR ULVFDOLPHQWR FHQWUDOL]o]DWR +V						
(IILFLHQ]D ULVFDODGDPHQWR FHQWUDOL]]DWR D SLHQR FDULFR +L r& &((
(IILFLHQ]D ULVFDODGDPHQWR FHQWUDOL]]DWR D SLHQR FDULFR +L r& r&						
(IILFLHQ]D WHUPLFD GHOO LPSLDQWR FHQWUDOL]o]DWR D EDVVR FDULFR +L WHP SHUDWXUD GL ULWRUQR r&						
(IILFLHQ]D WHUPLFD GHOO LPSLDQWR FHQWUDOL]o]DWR D FDULFR SDU]LDH &((WHPo SHUDWXUD GL ULWRUQR r&						
,PSRVWD]LRQH GL IDEEULFD						

7DE 'DWL VX JDV H IXPL

4XLQWD 3UR						
3UHVVLQRH GL DOLPHQW]LRQPH]PEDU JDV +						
3UHVVLQRH GL DOLPHQW]LRQPH]PEDU JDV /						
3UHVVLQRH GL DOLPHQW]LRQPH]PEDU SURo SDQR						
&RQVXPR JDV * + JDV PLQ PD[P K						
&RQVXPR JDV * JDV / PLQ PD[P K						
&RQVXPR JDV * SURSD]LRQPH]PEDU						
5HVLVWHQ]D JDV * + JDV]LRQPH]PEDU						
4XDQWLWIXPL PLQ PD[NJ K J V						
7HPSHUDWXUD GHIL IXPL PLQ PD[r&						
3UHYDOHQ]D UHVLGX DO YHQW]LRQPH]PEDU						
&RQVXPR JDV EDVDWR VX YDORUH FDORULILFR SL» EDVVR LQ FRQGL]LRQL VWDOGDUG 0- P 5HVLVWHQ]D JDV WUD LO FROHJDPHQWR FDOGDLD H LO SXQWR GL PLVXUD VXCO DVVL						

7DE 'DWL FLUFXLWR GL ULVFDODGDPHQWR FHQWUDOL]]DWR

4XLQWD 3UR						
&RQWHQXWR DFTXD O						
3UHVVLQRH GHOO DFTXD]LRQPH]PEDU						
3UHVVLQRH GHOO DFTXD]LRQPH]PEDU 306						
7HPSHUDWXUD GHOO DFTXD]LRQPH]PEDU						
7HPSHUDWXUD GL HVHUF]LRQPH]PEDU						
5HVLVWHQ]D LGUDXOLFD Â7 . PEDU						

7DE 'DWL HOHWWULFL

4XLQWD 3UR						
7HQVLRQH GL DOLPHQWD	JLRQH	9&\$				
&RQVXPR HQHUJHWLFR	PLDQR	F:DULFR				
&RQVXPR HQHUJHWLFR	PDYVR	F:DULFR				
&RQVXPR HQHUJHWLFR	VWDQGE\					
,QGLFH GL SURWHJLRQH	HOHWWU,3FD		'	'	'	'
)XVLELOL	SULQFL\$DOL					
LPSHUPHDELOH DJOL VFKLJL LQ GHWHUPLQDWH FRQGLJLRQL a SRVVLELOH LQVWDOOD						

7DE \$OWUL GDWL

4XLQWD 3UR						
3HVR WRWDOH D YXRWR		NJ				
3HVR PLQLPR GL PRQWDJ	JLR	NJ				
/LYHOOR PHGLR GL SUHV	VLRQH	DF%VW	LFD D XQ			
PHWUR GDOOD FDOGDLD						
VHQJD SDQQHOOR DQWHULRUH						

7DE 3DUDPHWUL WHFQLFL

4XLQWD 3UR						
&DOGDLD D FRQGHQVDJLRQH			6@	6@	6@	6@
&DOGDLD D EDVVD WHPS	HUDWXUD		1R	1R	1R	1R
&DOGDLD %			1R	1R	1R	1R
\$SSDUHFFKLR GL FRJHQH	UDJLRQH SHU LO URo			1R	1R	1R
VFDQGDPHQWR G DPELHQWH						
\$SSDUHFFKLR GL ULVFDQ	GDPHQWR PLVWR	1R		1R	1R	1R
3RWHQJD WHUPLFD QRPLQDOH	QRPLQDOH					
3RWHQJD WHUPLFD XWLOH	LQ FNR GL IXQJLRQ					
QDPHQWR DG DOWD WHPS	SHUDWXUD DOOD SRo					
WHQJD WHUPLFD QRPLQDOH						
3RWHQJD WHUPLFD XWLOH	DO N:GHOOD SRo					
WHQJD WHUPLFD QRPLQDOH	H UHJLPH D					
EDVVD WHPSHUDWXUD						
(IILFLHQJD HQHUJHWLFD	VWDJLRQDOH GHO ULQ					
VFDQGDPHQWR G DPELHQWH						
5HQGLPHQWR XWLOH D	S'RWHQJD WHUPLFD QRo					
PLQDOH H UHJLPH DG DOWD	WHPSHUDWXUD					
5HQGLPHQWR XWLOH DO`	GHOOD SRWHQJD					
WHUPLFD QRPLQDOH H UHJLPH	D EDVVD					
WHPSHUDWXUD						
&RQVXPR DXVLOLDULR GL HOHWWULFLWt						
3LHQR FDULFR	HOPD[N:					
&DULFR SDUJLDOH	HOPLQ N:					
ORGR VWDQGE\	36% N:					
\$OWUL HOHPHQWL						

4XLQWD 3UR						
'LVSHUVLRQH WHUPLFD	3Q WE YWD\	QGE\				
&RQVXPR HQHUJHWLFR DFFHQVLRQH	GHQ	EUXFLDWRUH GL				
&RQVXPR HQHUJHWLFR	DQQR	*-				
/LYHOOR GL SRWHQJD V LQWHUQR	RQRUD	G&DPELHQWH				
(PLVVLRQL GL RVVLGL GLD]RWR	RJ	N:K				
3HU EDVVD WHPSHUDWXUD VL LQWHQGRQR r& SHU OH FDOGDLD D FRQGHQVD]LRQH VR GHO ULVFDQGDWRUH SHU DOWUH DSSDUHFFKLDWXUH GL ULVFDQGDPHQWR 3HU IXQ]LRQDPHQWR DG DOWD WHPSHUDWXUD VL LQWHQGRQR XQD WHPSHUDWXUD GL PDQGDWD GL r& DOO XVFLWD GHOOD FDOGDLD						

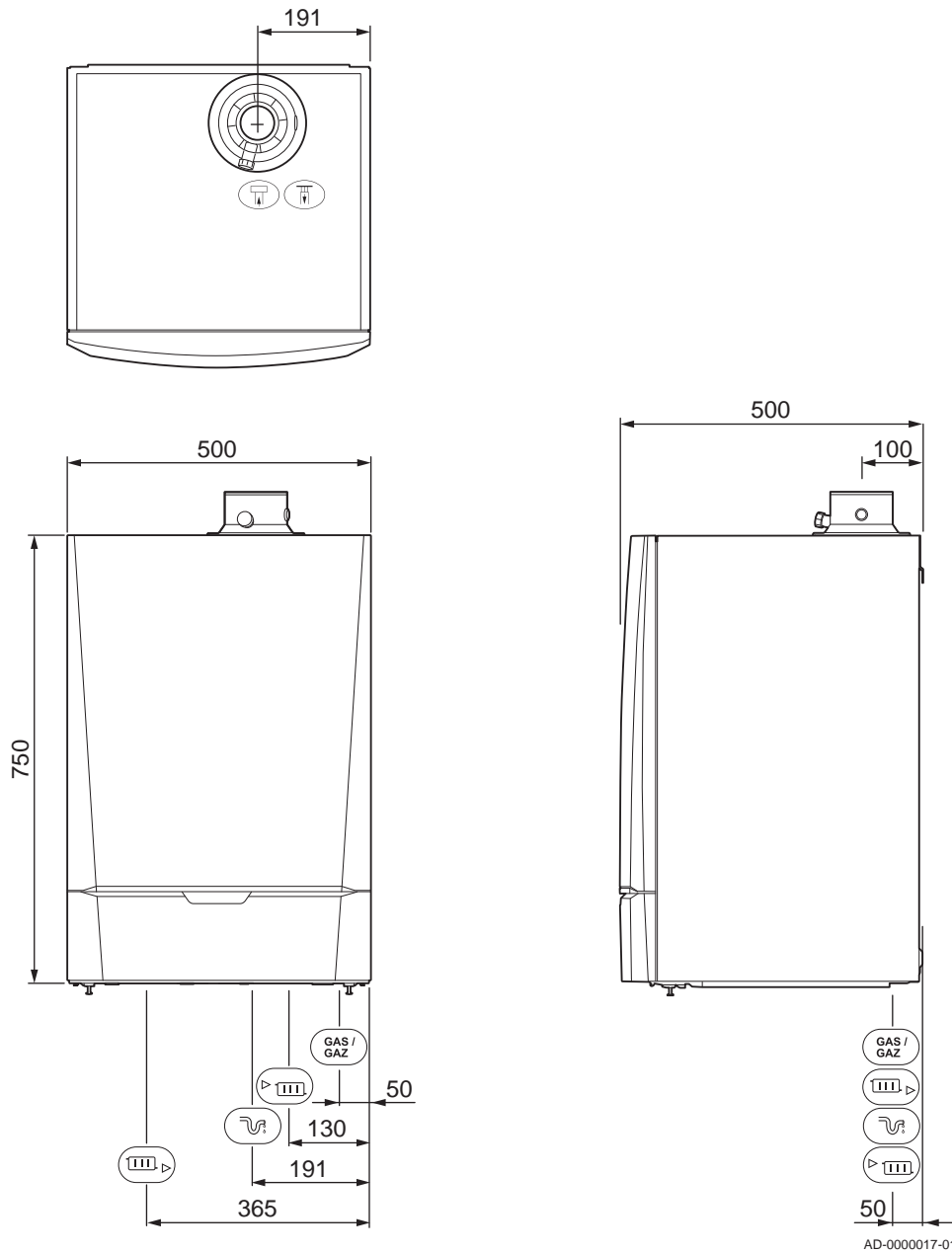


9HGHUH

4XDUWD GL FRSHUWLQD SHU L GHWWDJOL VXL

'LPHQVLRQL H FROOHJDPHQWL

)LJ 'LPHQVLRQL



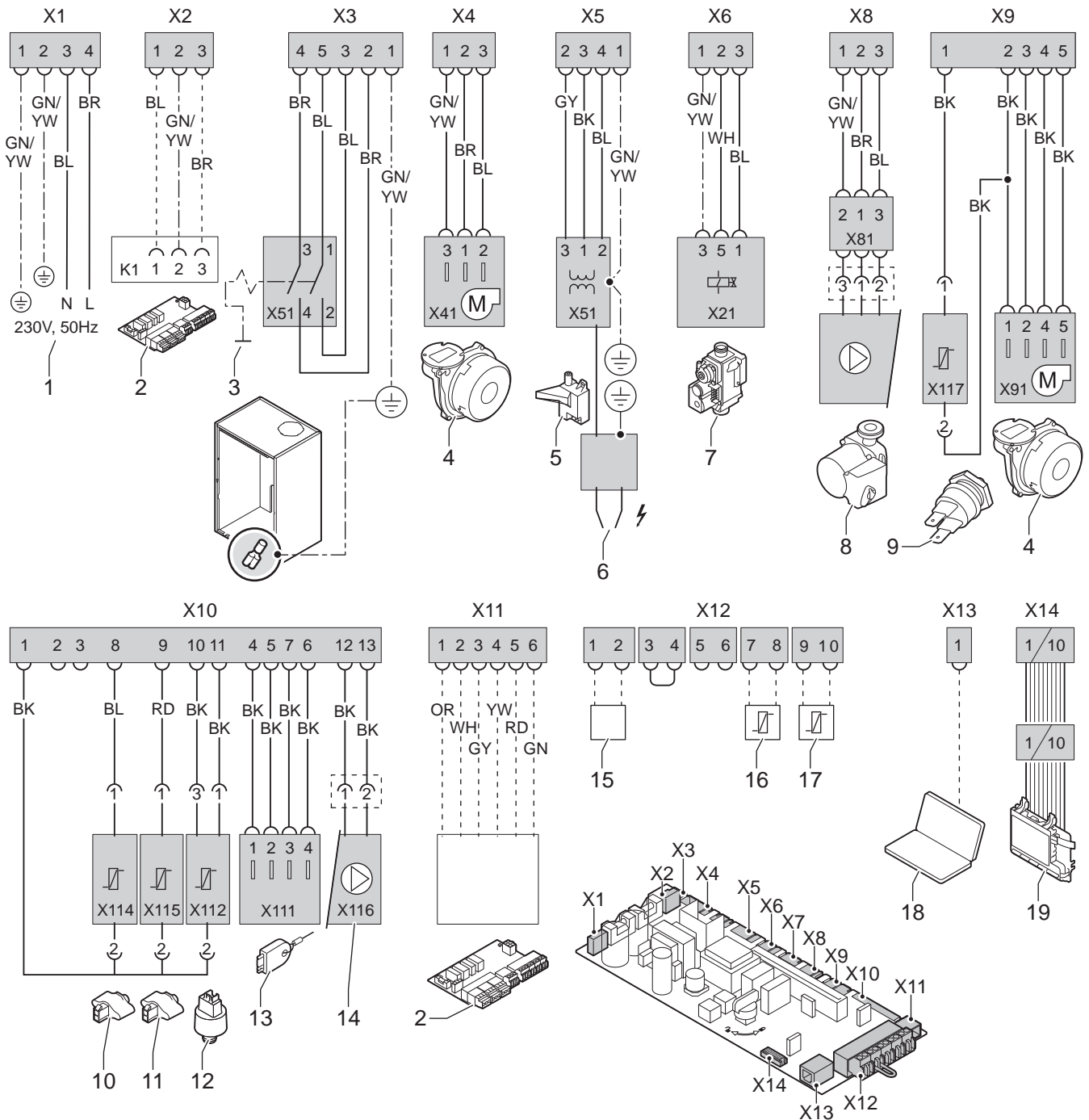
AD-000017-01

- ⌚ &ROOHJDPHQWR XVFLWD IXPL
- § PP 7 N:
- § PP 8 N:
- ⌚ &ROOHJDPHQWR LQJUHVV R DULD
- § PP 7 N:
- § PP 8 N:

- ⌚ &ROOHJDPHQWR VLIRQH PP
- ▶ ⌚ &ROOHJDPHQWR PDQGDWD 5& ILOHW ~ GL SROOLFH
- ▶ ⌚ &ROOHJDPHQWR ULWRUQR 5& ILOHW GL SROOLFH
- GAS/GAZ &ROOHJDPHQWR JDV ILOHWDXUD

6FKHPD HOHWWULFR

)LJ 6FKHPD HOHWWULFR



AD-0000062-01

7HQVLRQH GL DOLPHQWD]LRQH 3
 3&% HVSDQVR
 ,QWHUUXWWRUH 2Q 2II 6
 9HQWLQDWRUH)\$1
 7UDVIRUPDWRUH GL DFFHQVLRQH ,7
 3LQ GL DFFHQVLRQH (
 %ORFFR GHQ JDV *%
 3RPSD GL FLUFROD]LRQH SRPSD \$ %/ %OX
 ,QWHUUXWWRUH GHQ OLPLWH VXSHU%50DU]RQH
 6HQVVRUH GL ULWRUQR 576
 6RQGD GL PDQGDWD)76
 3UHVVVRVWDR 36
 3DUDPHWUR GL DUFKLYLD]LRQH 36825
 3RPSD GL FLUFROD]LRQH SRPSD 3:0:+

7HUPRVWDR 27
 6RQGD HVWHUQD 26
 6RQGD GHQ EROOLWRUH :6
 &ROOHJDPHQWR DO FRPSXWHU 3&
 'LVSOD\ ',6
 %. 1HUR
 %/ %OX
 %50DU]RQH
 *1 9HUGH
 *< *ULJLR
 5' 5RVVR
 \$UDQFLRQH
 %LDQFR

&DUDWWHULVWLFKH 7HFQLFKH

<: *LDOOR

'HVFULJLRQH GHO SURGRWWR

3ULQFLSLR GL IXQJLRQDPHQWR

3RPSD GL FLUFRODJLRQH

/D FDOGDLD ^a IRUQLWD VHQJD SRPSD 4XDQGR VL FRQWR GHOOD UHVLVWHQJD GHOOD FDOGDLD H GH



\$WWHQJLRQH

/D SRPSD SX' DYHUH XQ DSSRUWR PDVVLPR G FRQ XQD SRWHQJD PDJJLRUH XWLOLJDUH XQ



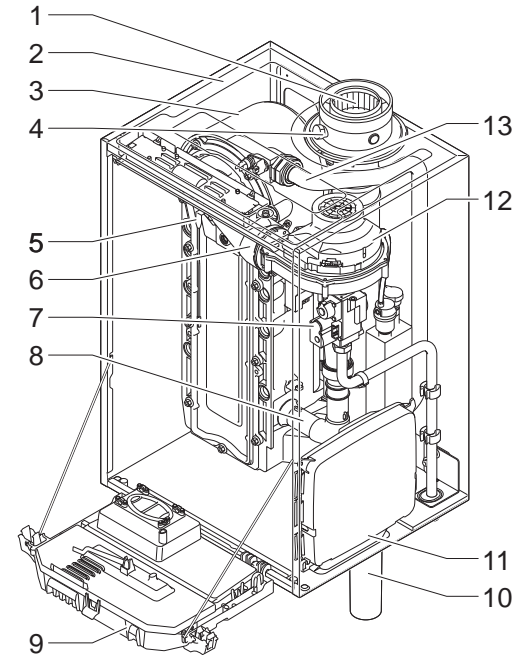
9HGHH

'DWL WHFQLFL SDJLQD

6H SRVVLELOH LQVWDOODUH OD SRPSD GLUHWWR PHQWR GL ULWRUQR

&RPSRQHQL SULQFLSDOL

)LJ &RPSRQHQL SULQFLSDOL



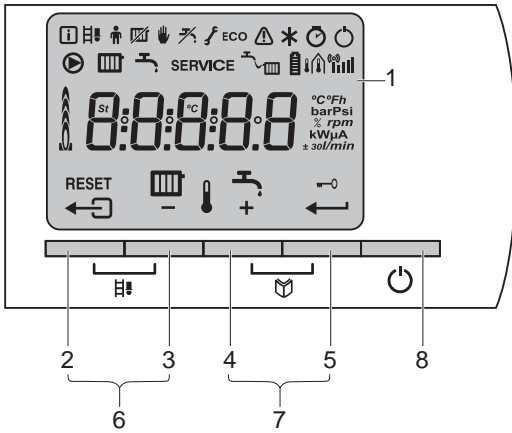
8VFLWD IXPL LQJUHVVVR DULD
 7HODLR FDPHUD VWDJQD
 6FDPDWRUH SULPDULR 5&
 3UHVD DQDOLVL IXPL
 (OHWWURGR GL DFFHQVLRQH LRQLJJDJLRQH
 7XER PLVFHODWRUH
 \$VVLHPH YDOYROD JDV FRPELQDWR
 6LOHQJLDWRUH SUHVD G DULD
 6FDWROD FRPDQGL
 6LIRQH
 6FDWROD SHU 3&%
 9HQWLQDWRUH
 7XER PDQGDWD DFTXD

AD-000011-01

'HVFULJLRQH GHQ SDQQHOOR GL FRQWUROOR

6LJQLILFDWR GL FLDVFXQ WDVWR

)LJ 3DQQHOOR GL FRQWUROOR



AD-000065-01

'LVSOD\

- ↶ 7DVWR RESET R
- ☰ 7DVWR WHPSHUDWXUD 5 & R
- ↶ 7DVWR WHPSHUDWXUD R
- ↶ %ORFFR GHL WDVWL R
- ☰ 7DVWL GL SXOLWXUD GHOOD FDQQD IXPDUL 3UHPHUH FRQWHPSRUDQHDPHQWH L WDVWL
- ☰ 7DVWL PHQX 3UHPHUH FRQWHPSRUDQHDPHQWH L WDVWL
- ⏻ ,QWHUUXWWRUH 2Q 2II

6LJQLILFDWR GHL VLPEROL YLVXDOLJJD

7DE 6LPEROL YLVXDOLJJDWL VXO GLVSOD\

☰	0HQX LQIRUPDWLYR ^a SRVVLELOH OHJJHUH XQD VHULH GL YDORUL FRUHHQ
☰	3RVLJLRQH GL SXOLWXUD GHOOD FDQQD IXPDULD YLHQH IRUJLWR XQ FDUL
☰	0HQX XWHQWH ^a SRVVLELOH PRGLILFDUH L SDUDPHWUL DO OLYHOOR XWHQ
☰)XQJLRQH GL ULVFDQGDPHQWR 2II OD IXQJLRQH GL ULVFDQGDPHQWR ^a GLV
☰	ORGR PDQXDOH OD FDOGDLD YLHQH LPSRVWDWD QHOOD PRGDOLWQ PDQXD
☰)XQJLRQH \$&6 2II OD IXQJLRQH \$&6 ^a GLVLQVHULWD
☰	0HQX DVVLVWHQJD ^a SRVVLELOH PRGLILFDUH L SDUDPHWUL DO OLYHOOR L
ECO	,PSRVWJLRQH (&2 ^a DWWLYDWD O LPSRVWJLRQH GL IXQJLRQDPHQWR LQ
⚠	*XDVWR OD FDOGDLD VHJQDOD XQ JXEDWGR OOD ^a SDQGLFDWR GDO FRGLFH
*	3URWHJLRQH DQWLJHOR OD FDOGDLD VL WURYD QHOOD PRGDOLWQ GL SUR
⏻	0HQX FRQWDRUH ^a SRVVLELOH OHJJHUH OH RUH GL HVHUFLJLR LO QXPUR
⏻	,QWHUUXWWRUH 2Q 2II GRSR EORFFKL RFFRUUH VSHJQHUH H ULDFFHQG
▶	3RPSD GL FLUFRODJLRQH OD SRPSD ^a LQ IXQJLRQH
☰)XQJLRQL 5 & ^a SRVVLELOH DFFHGHUH DO SDUDPHWUR GHOOD WHPSHUDWXU
☰)XQJLRQH \$&6 ^a SRVVLELOH DFFHGHUH DO SDUDPHWUR GHOOD WHPSHUDWXU
SERVICE	6SLD JLDOD FR SERVICE VLPEROL VLDJJLR GL P QXWHQJLRQH
☰	3UHVVLRQH GHOO DFTXD OD SUHVVRQH GHOO DFTXD ^a WURSSR EDVVD
☰	6LPEROR GHOOD EDWWHULD ^a LQGLFDWR OR VWDWR GHOOD EDWWHULD GH
☰	6LPEROR GHOOD IRUJD GHQ VHJQDOH ^a LQGLFDWD OD IRUJD GHQ VHJQDOH
☰	/LYHOOR GHQ EUXFLDWRUH OD FDOGDLD ^a LQ IXQJLRQH D SLHQR FDULFR R
☰	%ORFFR WDVWL ^a DWWLYR LO EORFFR GHL WDVWL

3ULPD GHOO LQVWDOOD]LRQH

1RUPH VXOO LQVWDOOD]LRQH

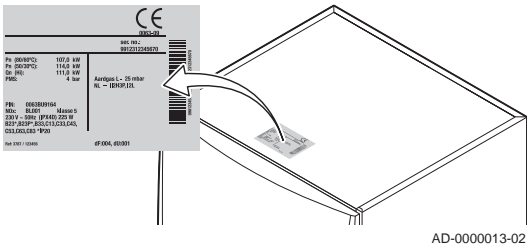


PSRUWDQWH
/ LQVWDOOD]LRQH H OD PDQXWHQ]LRQH GHOO
IHWXDXWH GD XQ LQVWDOODWRUH DXWRUL]]D
OHJJL QRUPH H SUHVFUL]LRQL QD]LRQDOL H

\$UHD GL LQVWDOOD]LRQH

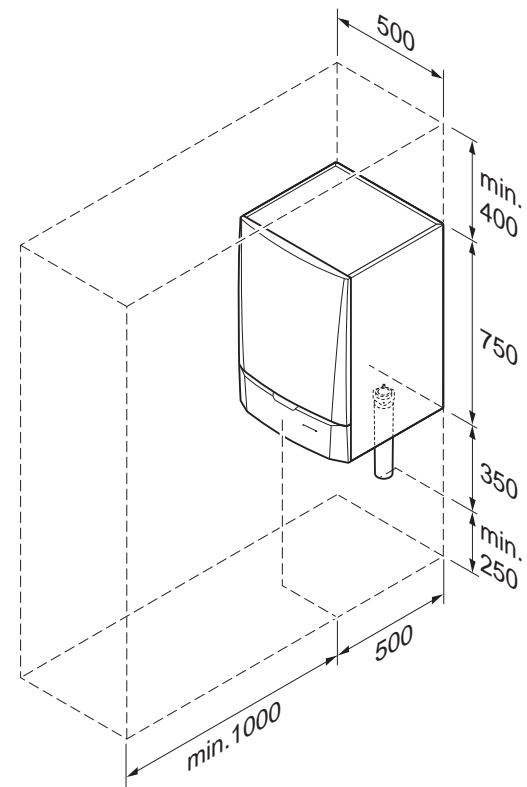
7DUJKHWWD LGHQWLILFDWLYD

)LJ 3RVL]LRQH GHOO WDUJKHWWD LGHQWLILFDWLYD LGHQWLILFD]LRQH VLWXDWLYD
YD VRQR ULSRUWDWL LO QXPHUR GL VHULH H LPSRUWDLYD
HVHPSLR LO PRGHOR H OD FDWHJRULD GHOO XQ
VRQR ULSRUWDWL DQFKH L FRGLFL G) H G8



3RVL]LRQH GHOO FDOGDLD

)LJ \$UHD GL LQVWDOOD]LRQH. 8WLQ]DUH OH OLQHH JXLGD H OR VSD]LR GL LQ
VH SHU GHWHUPLQDUH OD SRVL]LRQH FRUHHWWD
• 3HU VWDELOLUH LO SXQR GL LQVWDOOD]LRQH
QH FRQVHQWLWD GHOOH DSHUWXUH GL XVFLWD
• 9HULILFDUH FKH FL VLD VSD]LR VXIILFLHQWH DW
DFFHVVR H XQD VHPSOLFH PDQXWHQ]LRQH



3HULFROR
\$ YLHWDWR FRQVHUYDUH DQFKH WHPSRUDQH
]H FRPEXVWLELOL DOO LQWHUQR GHOO FDOO
GDLD VWHVVD



\$YYHUWHQ]D
•)LVVDUH O DSSDUHFFKLDWXUD D XQD SDUHW
QHUH LO SHVR GHOO FDOGDLD SLHQD G DF
SDJJLDWD

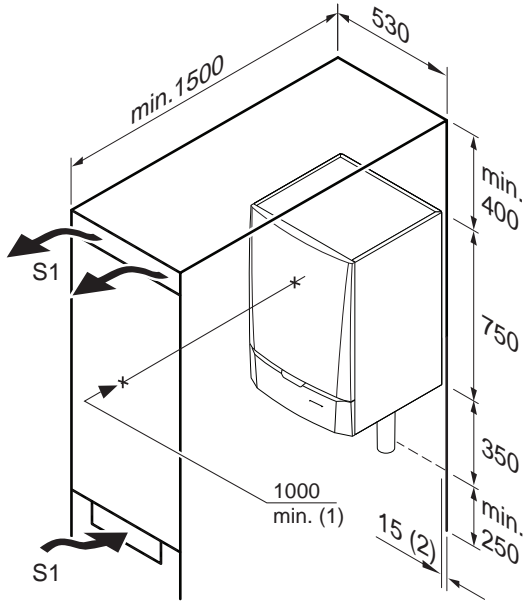


\$WWHQ]LRQH
• /D FDOGDLD GHYH HVVHUH LQVWDOODWD LQ
• ,O FROOHJDPHQWR HOHWWULFR GHOO FDOO
PHVVD D WHUUD
• 1HL SUHVVL GHOO FDOGDLD GHYH HVVHUH
WR DOOH IRJQDWXUH SHU OR VFDULFR GHOO

9HQWL0DJLRQH

)LJ 6SDJLR SHU OD YHQWL0DJLRQH

L VWDQ]D WUD OD SDUWH DQWHULRUH GHOO
YDQR GL LQVWDOODJLRQH
6X HQWUPEL L ODWL GHOO FDOGDLD



AD-000015-01

6H OD FDOGDLD YLHQH LQVWDOODWD LQ XQ YDQR
PH LQGLFDWH 3UHYHGHUH LQROWUH DOFXQH DSH
JXHQL ULVFKL

- \$FFXPXOR GL JDV
- 5LVFDOGDPHQWR GHO YDQR

6HJLRQH PLQLPD GHOOD DSHUWXUH

,QVWDOOD]LRQH

*HQHUDOLWç



\$YYHUWHQJD

/ LQVWDOOD]LRQH GHOOD FDOGDLD GHYH HVV
UH TXDOLILFDWR DL VHQVL GHL UHJRODPHQW

&ROOHJDPHQWL LGUDXOLFL

5LVFLDFTXR GHOO LPSLDQWR

3ULPD GL SRWHU FROOHJDUH XQD FDOGDLD 5& QX
VWHQWH RFFRUUH ODYDUH H VFLDFTXDUH TXHVW
SURIRQGLWR 7DOH RSHUD]LRQH a DVVROXWDPHQ
WULEXLVFH D ULPXRYHUH L UHVLGXL GHULYDQWL
ULH GL VDOGDWXUD SURGRWWL GL ILVVDJJLR H P
VDEELD IDQJR H FRV® YLD



,PSRUWDQWH

6FLDFTXDUH O LPSLDQWR 5& FRQ XQD TXDQW
ULRUH DO WULSOR GHO VXR YROXPH 6FLDFTX
TXDQWLWç GL DFTXD SDUL R VXSHURUH D

&ROOHJDPHQWL LQJUHVV R DULD IXPL

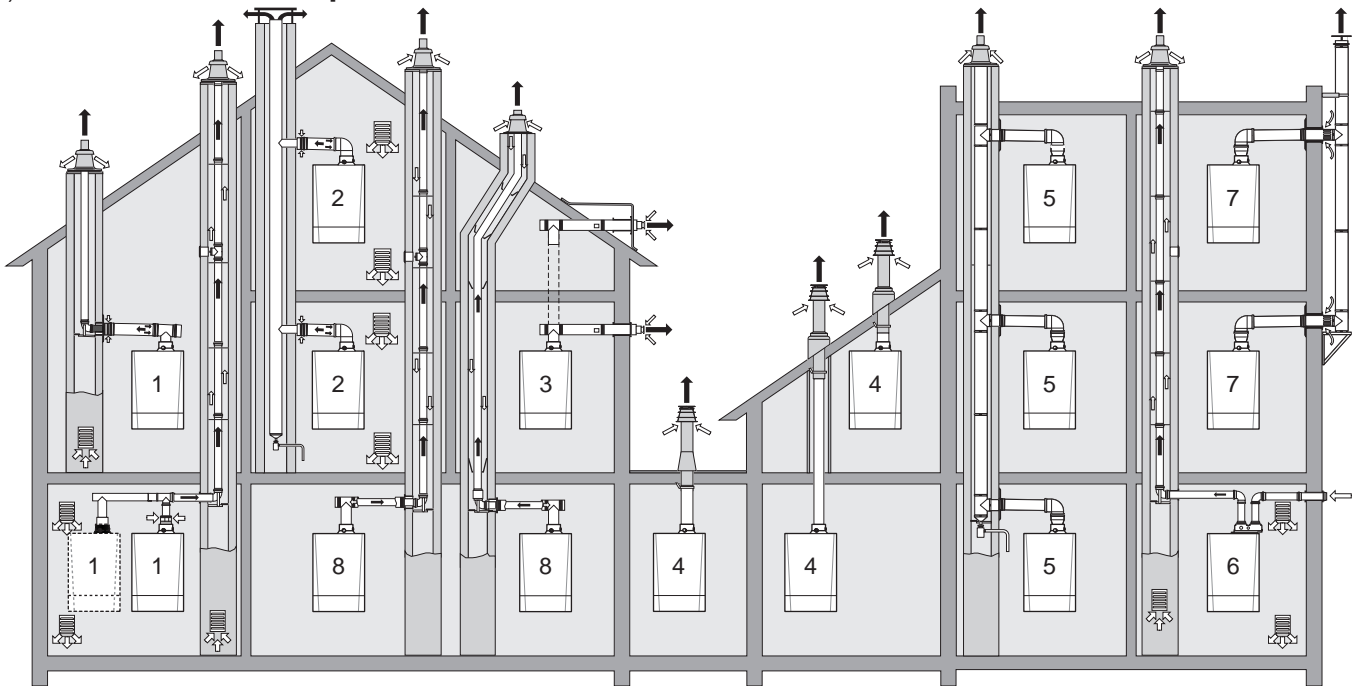
/D FDOGDLD a LGRQHD SHU LO FROOHJDPHQWR DL
FRQGR OH VHJXHQWL WLSRORJLH G LQVWDOOD]LR



3HU XOWHULRUL LQIRUPD]LRQL YHGHUH
&HUWLILFD]LRQL SDJLQD

&ODVVLILFD]LRQH

)LJ &ODVVLILFD]LRQH



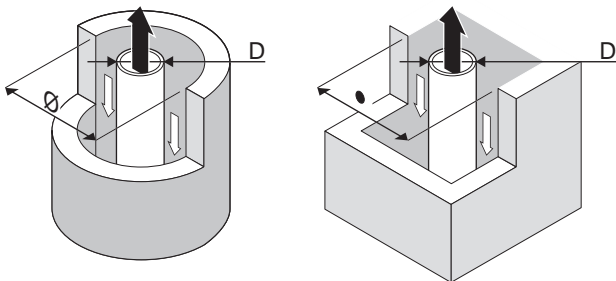
AD-3000776-01

7DE 7LSL GL FROOHJDPHQWL GH L IXPL

7LSR	9HUVLRQH	'HVFULJLRQH
% % 3	\$SHUWD	<ul style="list-style-type: none"> • 6HQJD FDSSD URPSL WLUDJJLR • 6FDULFR IXPL DWUDYHUVR LO WHWWR • \$ULD GDOO DUHD GL LQVWDOODJLRQH
%	\$SHUWD	<ul style="list-style-type: none"> • 6HQJD FDSSD URPSL WLUDJJLR • 6FDULFR FRPXQH GH L IXPL DWUDYHUVR LO WHWWR GH • 6FDULFR GH L IXPL SXOLWR FRQ DULD DULD SURYHQLHQ VSHFLDOH
&	&KLXVD	<ul style="list-style-type: none"> • 6FDULFR VX SDUHHW HVWHUQD • / DSHUWXUD G LQJUHVV R DULD ^a QHOOD VWHVVD JRQD G SLR XQ SDVVDQWH FRPELQDWR VX SDUHHW HVWHUQD
&	&KLXVD	<ul style="list-style-type: none"> • 6FDULFR IXPL DWUDYHUVR LO WHWWR • / DSHUWXUD G LQJUHVV R DULD ^a QHOOD VWHVVD JRQD G SLR XQ SDVVDQWH FRQFHQWULFR VX WHWWR
&	&KLXVD FDVFD	<ul style="list-style-type: none"> • &RQGRWWR GL LQJUHVV R DULD H GL VFDULFR GH L IXPL - &RQFHQWULFR SUHIHULELOPHQWH - 3DUDOOHOR VH FRQFHQWULFR QRQ ^a SRVVLELOH • &DVFDWD VRYUDSUHVVLQRH
&	&KLXVD	<ul style="list-style-type: none"> • 8QLWç FKLXVD • &RQGRWWR GL LQJUHVV R DULD VHSUDWR • &RQGRWWR GL VFDULFR GH L IXPL VHSUDWR • 6FDULFR LQ GLYHUVH JRQH GL SUHVVLQRH
&	&KLXVD	<ul style="list-style-type: none"> • 4XHVWR WLSR GL XQLWç ^a IRUQLWR GDO FRVWUXWWRUH
&	&KLXVD	<ul style="list-style-type: none"> • / DSSDUHFFKLR SX' HVVHUH FROOHJDWR D XQ VLVWHPD IXPL FRPXQH H LQJUHVV R DULD LQGLYLGXDOH
&	&KLXVD	<ul style="list-style-type: none"> • &RQGRWWR GL LQJUHVV R DULD H GL VFDULFR GH L IXPL - &RQFHQWULFR - ,QJUHVV R DULD GDO FRQGRWWR HVLVWHQWH - 6FDULFR IXPL DWUDYHUVR LO WHWWR - / DSHUWXUD G LQJUHVV R DULD ^a QHOOD VWHVVD JRQD
<p>\$QFKH FDWHJRULD GL SUHVVLQRH 3 (1 PEDU DVSLUDJLRQH WUDPLWH GHSUHVVLQRH 3X' YHULILFDUVL XQD GHSUHVVLQRH GL PEDU 9HGHHU OD WDEOOD SHU OH GLPHQVLRQL PLQLPH GHOO DOEHUR R GH FRQGRWWR</p>		

■ 'LPHQVLRQL GH O FRQGRWWR

)LJ 'LPHQVLRQL PLQLPH GH O FRQGRWWR R FDQDOH



AD-3000330-01

7DE 'LPHQVLRQL PLQLPH GH O FRQGRWWR R FDQDOH

7LSR	9HUVLRQH	'LDPHWUR	6HQJD LQJUHVV R DULD &RQ LQJUHVV R DULD			
			§ FRQGRWWR	FRQGRWWR	FRQGRWWR	FRQGRWWR
&	5LJLGD	PP	PP	[PP	PP	[PP
		PP	PP	[PP	PP	[PP
		PP	PP	[PP	PP	[PP

7LSR	9HUVLRQH	'LDPHWUR	6HQJD LQJUHVVUR DUL		&RQ LQJUHVVUR DULD	
			š FRQGRW	WFRQGRW	WFRQGRW	WFRQGRW
&)OHVVLELOH	PP	PP	[PP	PP	[PP
		PP	PP	[PP	PP	[PP
		PP	PP	[PP	PP	[PP
&	&RDVVLDLDOH	PP	PP	[PP	PP	[PP
		PP	PP	[PP	PP	[PP
		PP	PP	[PP	PP	[PP

8VFLWH

'HYRQR HVVHUH DGRWWDWL VLVWHPL GL IXPL SD
GHL VHJXHQL SURGXWWRUL

- &HQWURWKHUP
- &R[*HHOHQ
- 0XHOLQN *URO
- 1DWDOLQL
- 3RXMRXODW
- 8EELQN

i ,PSRUWDQWH
6H OH QRUPH SUHVFULYRQR O LQVWDOOD]LRQ
FR XWLOL]]DUQH XQD LGRQHD LQ DFFDLR LG

6RQR LQRUWH GLVSRQLELOL NLW GL SDVVDQL
SHU FLDVFXQD FDOGDLD

i 1RWD
&RQWDWDWHFL SHU XOWHULRUL LQIRUPD]LR

ODWHULDOL

! \$YYHUWHQJD
• , PHWRGL GL DFFRSSLDPHQWR H FROOHJDPH
EDVH DO SURGXWWRUH 1RQ^a FRQVHQWLWR
QH PHWRGL GL DFFRSSLDPHQWR H FROOHJDPH
SURGXWWRUL
• , PDWHULDOL XWLOL]]DWL GHYRQR HVVHUH
VWDQGDUG YLJHQWL

7DE ODWHULDOL GHOOH WXED]LRQL GL XVFLWD

3URJHWWR	ODWHULDOL
ORQRSDUHH ULJLGD	• \$OOXPLQLR GL DOWR VSHV • 3ODVWLF 7 • \$FFDLR LQRVVLGDELOH
)OHVVLELOH	• 3ODVWLF 7 • \$FFDLR LQRVVLGDELOH
/D WHQXWD GHYH HVVHUH FRQIRUPH DOOD FODVVH &RQ PDUFDWXUD &(

7DE 0DWHULDOL GHO WXER GL LQJUHVVVR GHOO

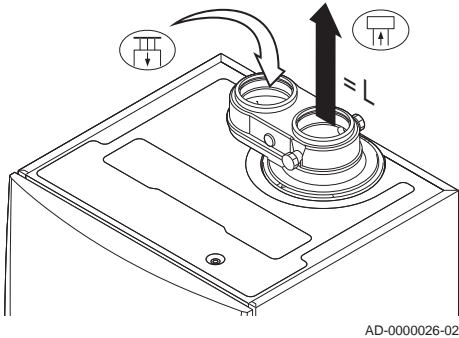
9HUVLRQH	0DWHULDOH
0RQRSDUHWH ULJLGD	<ul style="list-style-type: none"> • \$OOXPLQLR • 3ODVWLFD • \$FFDLR LQRVVLGDELOH
)OHVVLELOH	<ul style="list-style-type: none"> • \$OOXPLQLR • 3ODVWLFD • \$FFDLR LQRVVLGDELOH

/XQJKHJD GHL WXEL GHOO DULD GHL

i ,PSRUWDQWH

- 3HU GHWHUPLQDUH OD OXQJKHJD ILQDOH a JKHJD PDVVLPD GHOO FDQQD IXPDULD SHU SOLFDWR JRPLWR 9HGHH OD WDEHOOD GH
- /D FDOGDLD a DGDWWD DQFKH SHU FDQQH IXGLDPHWUR GLYHUVR GD TXHOOL LQGLFDWL OXOWHULRUL LQIRUPDJLRQL
- / LQJUHVVVR GHOO DULD FRPEXUHQWH H OR V ELOL LQ GLYHUVH JRQH GL SUHVVLQRH H FR &/9 DG HFFHJLRQH GHOOH JRQH FRVWLHUH

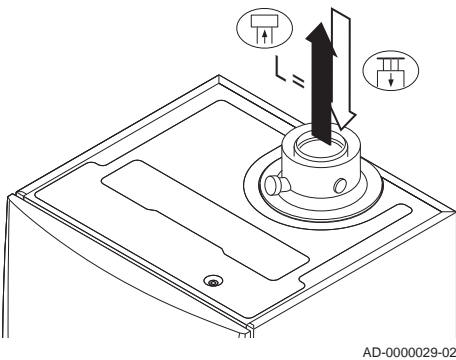
)LJ 9HUVLRQH SHU ORFDOL YHQWLODJLRQH PDVVLPD / GHOO FDQQD IXPDULD YHQWLODJLRQH DPDLHQWH %



4XLQWD	3UR 'LDPHWUR				
	PP	PP	PP	PP	PP
	P	P	P	P	P
	P	P	P	P	P
	P	P	P	P	P
	P	P	P	P	P

3RVVLELOH VROR FRQ XQD ULGXJLRQH GHO FDULFR Š SRVVLELOH LQVHULUH DOWUL JRPLWL GD r R WD OD OXQJKHJD PDVVLPD GHOO FDQQD IXPDULD

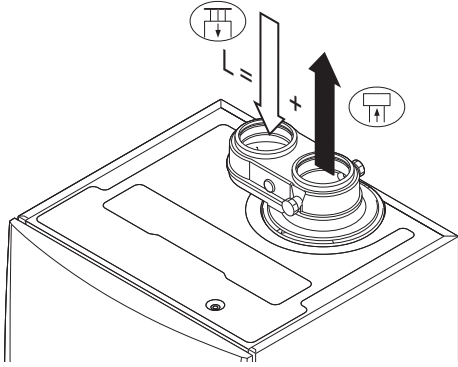
)LJ 9HUVLRQH VLJLOODWD FRDEVLDOH JKHJD PDVVLPD / GHOO FDQQD IXPDULD YHQWLODJLRQH VLJLOODWD & &



4XLQWD	3UR 'LDPHWUR	
	PP	PP
	P	P
	P	P
	P	P
	P	P

3RVVLELOH VROR FRQ XQD ULGXJLRQH GHO FDULFR Š SRVVLELOH LQVHULUH DOWUL JRPLWL GD r R WD OD OXQJKHJD PDVVLPD GHOO FDQQD IXPDULD

)LJ 9HUVLRQH VLJLOODWD SĎĎBOOMQDKH]]D PDVVLPD / GHOOD FDQQD IXPDU YHQWLOD]LRQH VLJLOODWD %

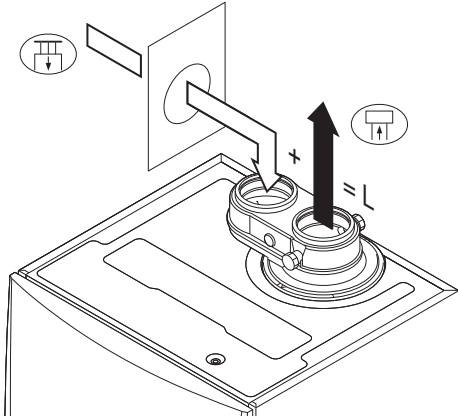


AD-000027-02

4XLQWD	3UR 'LDPHWUR				
	PP	PP	PP	PP	PP
	P P	P	P	P	P
	P P	P P	P P	P P P	P
	P	P P	P P	P P P	P
	P	P P	P P	P P P	P

\$GDWWDWRUH DULD IXPL GD PP
 3RVVLELOH VROR FRQ XQD ULGX]LRQH GHO FDULFR
 Š SRVVLELOH LQVHULUH DOWUL JRPLWL GD r R
 WD OD OXQJKH]]D PDVVLPD GHOOD FDQQD IXPDU
 \$GDWWDWRUH DULD IXPL GD PP
 \$GDWWDWRUH DULD IXPL GD PP

)LJ =RQH GL SUHVVRQH GLYHĎĎH /XQJKH]]D PDVVLPD / GHOOD FDQQD IXPDU SUHVVRQH &



AD-000030-02

4XLQWD	3UR 'LDPHWUR				
	PP	PP	PP	PP	PP
	P P	P P	P	P	P
	P P	P P	P P	P P	P
	P	P	P P	P P	P
	P	P	P P	P P	P

,O GLVOLYHOOR PDVVLPD FRQVHQWLWR IUD O DOWH
 GHO DULD FRPEXUHQWH H O XVFLWD IXPL a SDUL D
 3RVVLELOH VROR FRQ XQD ULGX]LRQH GHO FDULFR
 Š SRVVLELOH LQVHULUH DOWUL JRPLWL GD r R
 WD OD OXQJKH]]D PDVVLPD GHOOD FDQQD IXPDU

7DE 5LGX]LRQL GHO WXER GD HOHPHQWR XWLOL

'LDPHWUR	5LGX]LRQH WXER	
	&XUYD r	&XUYD r
PP	P	P
PP	P	P
PP	P	P
PP	P	P
PP	P	P
PP	P	P
PP	P	P

/LQHH JXLGD DJJLXQWLYH

- 3HU LQVWDOODUH L PDWHULDOL GHOO XVFLWD I PHQWR DOOH LVWUXJLRQL GHO UHODWLYR SURG H GHOO LQJUHVV R DULD QRQ YHQJRQR LQVWDOO HVHPSLR QRQ VRQR D WHQXWD R QRQ YHQJRQR VLWXDJLRQL SHULFRORVH H R OHVLRQL SHUVRQL FRPH PLQLPR OD WHQXWD GHL FRPSRQHQL GHO DULD
- 1RQ ^a FRQVHQWLWR FROOHJDUH GLUHWWDPHQWH UDOL D FDXVD GHOO FRQGHQVD
- 3XOLUH VHPSUH DFFXUDWDPHQWH L FRQGRWWL FLD H R XQ FROOHJDPHQWR LQJUHVV R DULD
- 'HYH SRWHU HVVHUH SRVVLELOH FRQWUROODUH
- 6H OD FRQGHQVD SURYHQLHQWH GD XQD VHJLRQL LQRVVLGDELOH SX' ULIOXLUH LQ XQD VHJLRQH L FRQGHQVD GHYH HVVHUH VFDULFDWD WUDPLWH JHUH OD VHJLRQH LQ DOOXPLQLR
- ,Q SUHVHQJD GL WUDWWL SL» OXQJKL GL WXER L UH LQLJLDOPHQWH SUHYHGHUH LQVLPH D TXHO UHODWLYDPHQWH HOHYDWR GL SURGRWWL GL FR ULFR 3XOLUH FRQ UHJRODULWç LO VLIRQH GHO QLWç XQ FROOHWWRUH DJJLXQWLYR GL UDFFRV
- \$FFHUWUWL FKH LO WXER GHOO XVFLWD IXPL G GLHQWH VXIILFLHQWH DOPHR PP DO PHWR OHWWRUH H XQR VFDULFR GHOO FRQGHQVD DG VFLWD GHOO FDOGLD , UDFFRUGL D JRPLWR SHULRUL D r SHU JDUDQWLUH XQ JUDGLHQWH V OLYHOOR GHOOH JXDUQLJLRQL D ODEEUR



,PSRUWDQWH

&RQWDWWDWHFL SHU XOWHULRUL LQIRUPDJLR

5LHPSLPHQWR GHOO LPSLDQWR

7UDWWDPHQWR GHOO DFTXD

1HOOD PDJJLRU SDUWH GHL FDLV OD FDOGLD H WUDOLJJDWR SRVVRQR HVVHUH ULHPSLWL FRQ QR VDUç QHFHVVDULR DOFXQ WUDWWDPHQWR GHOO D



\$YYHUWHQJD

1RQ DJJLXQJHUH SURGRWWL FKLPLFL DOO DFT FRQVXç ~~OWPHKIS~~ HVHPSLR DQWLJHOR DGGRO SURGRWWL SHU DXPHQWUWH R ULGXUWH LO S 7DOL DJHQWL SRVVRQR FDXVDUH HUURUL GHO ELDWRUH SULPDULR



,PSRUWDQWH

- ,O S+ GHOO DFTXD SUHVHQWH QHOO LPSLDQ IUD H SHU O DFTXD QRQ WUDWWDWD H IU WD
- /D GXUHJJD PDVVLPD GHOO DFTXD SUHVHQWH VHUH FRPSUHVD IUD H rG+ D VHFRQG PLFD JHQHUDWD
- 8OWHULRUL LQIRUPDJLRQL VR ~~1RU BH WSROO L~~ TXDOLWç ~~GHO DFTXD~~ UH VHPSUH OH LVWUXJ GRFXPHQWR VRSUD FLWDWR

5LHPSLPHQWR GHQ VLIRQH



3HULFROR

,O VLIRQH GHYH HVVHUH VHPSUH ULHPSLWR D
TXHVWR PRGR VL LPSHGLVFH O LQJUHVVH GH

)LJ 5LHPSLPHQWR GHQ VLIRQH



AD-000064-01

5LPXRYHUH LO VLIRQH
5LHPSLUH G DFTXD LO VLIRQH
ORQWDUH LO VLIRQH
&RQWUROODUH FKX LO VLIRQH VLD PRQWDWR
QHOOO FDOGDLD

5LHPSLPHQWR GHOO LPSLDQWR



,PSRUWDQWH

3HU SRWHU OHJJHUH OD SUHVVLQRH LGUDXOL
RFFRUUH DFFHQGHUOD

5LHPSLUH O LPSLDQWR 5& FRQ DFTXD FRUUHQ
VLJOLDWD IUD H EDU
9HULILFDUH OD WHQXWD FRUUHWWD GHL FROO

0HVVD LQ VHUYL]LR

5HJROD]LRQL YDOYROD JDV

\$GDWWDPHQWR D XQ GLYHUVR WLSR GL



\$YYHUWHQJD

/H RSHUD]LRQL VHJXHQWL SRVVRQR HVVHUH H
WHFQLFR TXDOLILFDWR

/ LPSRVWD]LRQH GL IDEEULFD GHOOD FDOGDLD SU
QDWXUDOH GHO JUXSSR * JDV +



,PSRUWDQWH

&RQWDWWDWHFL SHU XOWHULRUL LQIRUPD]LR

7DE ,PSRVWD]LRQH GL IDEEULFD

3DUDPH	VHUYL]LRQH	&DPSR GL UHJROD]LRQH			
P17	9HORFLWç PD[YHQWLO PHQWR	ODWRUH + ULVFD GDPH PLQ			
P18	9HORFLWç PD[YHQWLO PHQWR	ODWRUH \$&6 JLUL PLQ			
P19	9HORFLWç PLQ YHQWLO PHQWR H VDQLWDULR	ODWRUH + ULVFD GDPH PLQ			
P20	9HORFLWç PLQLPD YHQWLO PHQWR	ODWRUH RIIVHW			
P21	9HORFLWç DOO DYYLR				

7DE 5HJROD]LRQH SHU JDV WLSR * JDV /V

3DUDPH	VHUYL]LRQH				
P17	9HORFLWç PDVLPD YHQWLO PHQWR	ODWRUH ULVFD GDPH QWR			
P18	9HORFLWç PD[YHQWLO PHQWR	ODWRUH \$&6			
P19	9HORFLWç PLQ YHQWLO PHQWR H VDQLWDULR	ODWRUH ULVFD GDPH QWR			
P20	9HORFLWç PLQLPD YHQWLO PHQWR	ODWRUH RIIVHW			
P21	9HORFLWç DOO DYYLR				

7DE 5HJROD]LRQH SHU JDV WLSR * JDV /

3DUDPH	VHUYL]LRQH				
P17	9HORFLWç PDVLPD YHQWLO PHQWR	ODWRUH ULVFD GDPH QWR			
P18	9HORFLWç PD[YHQWLO PHQWR	ODWRUH \$&6			
P19	9HORFLWç PLQ YHQWLO PHQWR H VDQLWDULR	ODWRUH ULVFD GDPH QWR			
P20	9HORFLWç PLQLPD YHQWLO PHQWR	ODWRUH RIIVHW			
P21	9HORFLWç DOO DYYLR				

7DE 5HJROD]LRQH SHU JDV WLSR * JDV 6

3DUDPH	VHUYL]LRQH				
P17	9HORFLWç PDVLPD YHQWLO PHQWR	ODWRUH ULVFD GDPH QWR			
P18	9HORFLWç PD[YHQWLO PHQWR	ODWRUH \$&6			

3DUDPHVWUULJLRQH				
P19	9HORFLWç PLQ YHQWLODWRUH ULVFDOGDPHQWR H VDQLWDULR			
P20	9HORFLWç PLQLPD YHQWLODWRUH RIIVHW			
P21	9HORFLWç DOO DYYLR			

7DE 5HJROD]LRQH SHU JDV WLSR * JDV /Z

3DUDPHVWUULJLRQH				
P17	9HORFLWç PDVVLDPD YHQWLODWRUH ULVFDOGDPHQWR			
P18	9HORFLWç PD[YHQWLODWRUH \$&6			
P19	9HORFLWç PLQ YHQWLODWRUH ULVFDOGDPHQWR H VDQLWDULR			
P20	9HORFLWç PLQLPD YHQWLODWRUH RIIVHW			
P21	9HORFLWç DOO DYYLR			

7DE 5HJROD]LRQH SHU JDV WLSR * SURSDQR

3DUDPHVWUULJLRQH				
P17	9HORFLWç PDVVLDPD YHQWLODWRUH ULVFDOGDPHQWR			
P18	9HORFLWç PD[YHQWLODWRUH \$&6			
P19	9HORFLWç PLQ YHQWLODWRUH ULVFDOGDPHQWR H VDQLWDULR			
P20	9HORFLWç PLQLPD YHQWLODWRUH RIIVHW			
P21	9HORFLWç DOO DYYLR			

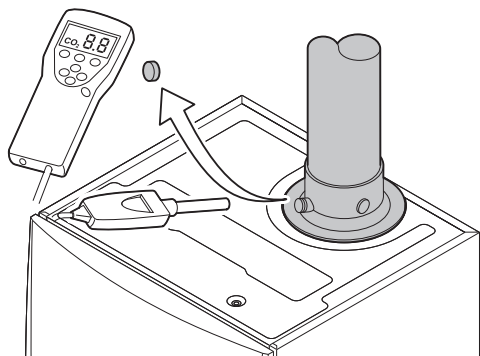
7DE 5HJROD]LRQH SHU FDFVDWD GL VRYUDSUHVVLQRH IXPL

3DUDPHVWUULJLRQH				
P19	9HORFLWç PLQ YHQWLODWRUH ULVFDOGDPHQWR H VDQLWDULR			
P20	9HORFLWç PLQLPD YHQWLODWRUH RIIVHW			
P21	9HORFLWç DOO DYYLR			

8WLQOL]]DUH O LPSRVWD]LRQH GHO SDUDPHWUR SHU EO WLSRSDQRJDV VH OD FDOGDLD a

&RQWUROOR H LPSRVWD]LRQH GHO UDS

)LJ 3UHVD DQDOLVL IXPL



AD-000069-01

6YLWDUH LO WDSSR GDOOD SUHVD DQDOLVL IXPL, QVHULUH OD VRQGD GHO DQDOL]]DWRUH GH QH



YYHUWHQJD
XUDQWH OD PLVXUD]LRQH VLJLOODUH FRPSC DOOD VRQGD



1RWD
/ DQDOL]]DWRUH GHL IXPL GHYH DYHUH XQD S s SHU

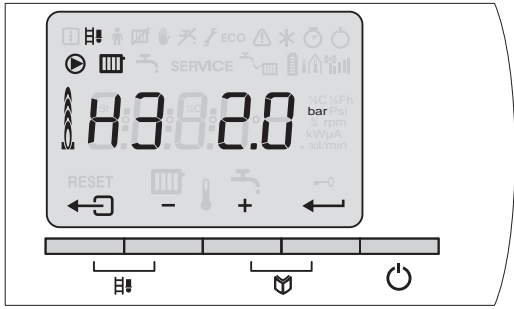
OLVXUDUH OD SUSHQWHQWH GHL IXPL (VHJXL]LRQL D SLHQR FDULFR H D FDULFR ULGRWWR



1RWD
/H PLVXUD]LRQL GHYRQR HVVHUH HVHJXLWH V

■ 9DORUL GL ULIHULPHQW D LSLRQW D D LUR Q R S

)LJ ,PSRVWDJLRQH VX SLHQR FDULFR



AD-000070-01

3RUW DUH OD FDOGDLD QHOOD PRGDOLW D SL
 UDQHDPHQWH L GOXG WDSVWD LSSDFUH LO VLPER
 0LVXUDUH OD SHUHQW XVDQWGLLQHL IXPL
 &RQIURQW DUH LO YDORUH PLVXUDWR FRQ TXH
 WDEHOOD

7DE 9DORUL GL ULIHULPHQW D LSLRQW D D LUR Q R S
 SHU * JDV +

9DORUL D SLHQR FDULFR SHU * 2 JDV +	
4XLQWD 3UR	
4XLQWD 3UR	
4XLQWD 3UR	
4XLQWD 3UR	
9DORUH QRPLQDOH	

7DE 9DORUL GL ULIHULPHQW D LSLRQW D D LUR Q R S
 SHU * JDV /V

9DORUL D SLHQR FDULFR SHU * 2 /V	
4XLQWD 3UR	
4XLQWD 3UR	
4XLQWD 3UR	
4XLQWD 3UR	
9DORUH QRPLQDOH	

7DE 9DORUL GL ULIHULPHQW D LSLRQW D D LUR Q R S
 SHU * JDV /

9DORUL D SLHQR FDULFR SHU * 2 JDV /	
4XLQWD 3UR	
4XLQWD 3UR	
4XLQWD 3UR	
4XLQWD 3UR	
9DORUH QRPLQDOH	

7DE 9DORUL GL ULIHULPHQW D LSLRQW D D LUR Q R S
 SHU * JDV 6

9DORUL D SLHQR FDULFR SHU * 2 JDV 6	
4XLQWD 3UR	
4XLQWD 3UR	
4XLQWD 3UR	
4XLQWD 3UR	

9DORUL D SLHQR FDULFR SHU * 2 JDV 6
9DORUH QRPLQDOH

7DE 9DORUL GL ULIHULPHQWR D LSLHQW DQURQ
SHU * JDV /Z

9DORUL D SLHQR FDULFR SHU * 2 JDV /Z
4XLQWD 3UR
4XLQWD 3UR
4XLQWD 3UR
4XLQWD 3UR
9DORUH QRPLQDOH

7DE 9DORUL GL ULIHULPHQWR D LSLHQW DQURQ
SHU * SURSDQR

9DORUL D SLHQR FDULFR SHU * 2 SURSDQR
4XLQWD 3UR
4XLQWD 3UR
4XLQWD 3UR
4XLQWD 3UR
9DORUH QRPLQDOH

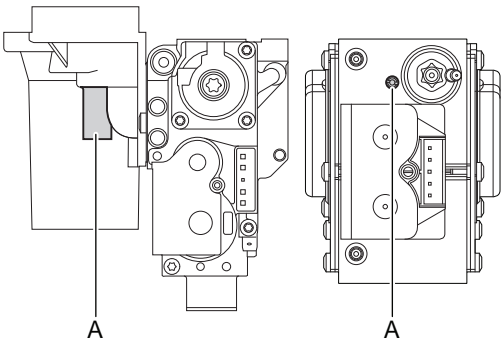


\$WWHQJLRQH

, YDORUL D SHUQR FDULFR GHYRQR HVVHUH LQ
O 2D FDULFR SDUJLDOH

6H LO YDORUH PLVXUDWR QRQ ULHQWUD WUD
UHJJHUH LO UDSSRUWR JDV DULD
UHURDQGRQH GHOD \$LWHJEDUHQW DQURQ
OD SHUFHQW XDSHUUGLO WLSR GL JDV LQ XVR 'P
VHPSUH FRPSUHR WUD L OLPLWL GL LPSRVW

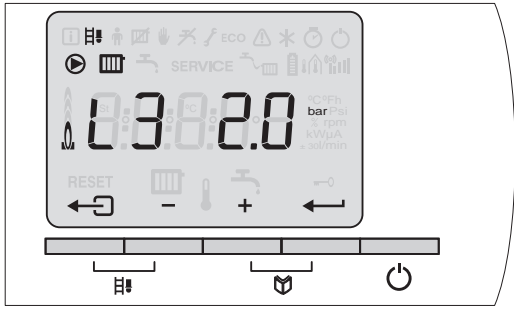
)LJ 3RVLJLRQH GHOD YLWH GL UHURDQGRQH



AD-000067-01

■ 9DORUL GL ULIHULPHQW FD LEPSRWRW EDQURQR S

)LJ ,PSRVWDJLRQH VX EDVVR FDULFR 3RUW DUH OD FDOGDLD QHOOD PRGDOLW D ED



AD-000071-02

WDVWRLQR D TXDQGR VXO GLV SODI QRQ FRPSD
 0LVXUDUH OD S~~U~~SHUW~~W~~OH CHL IXPL
 &RQIURQW DUH LO YDORUH PLVXUDWR FRQ TXH
 WDEHOOD

7DE 9DORUL GL ULIHULPHQW FD LEPSRWRW EDQURQR F
 SHU * JDV +

9DORUL D EDVVR FDULFR SHU * 2 JDV +	
4XLQWD 3UR	
4XLQWD 3UR	
4XLQWD 3UR	
4XLQWD 3UR	
9DORUH QRPLQDOH	

7DE 9DORUL GL ULIHULPHQW FD LEPSRWRW EDQURQR F
 SHU * JDV /V

9DORUL D EDVVR FDULFR SHU * 2 /V	
4XLQWD 3UR	
4XLQWD 3UR	
4XLQWD 3UR	
4XLQWD 3UR	
9DORUH QRPLQDOH	

7DE 9DORUL GL ULIHULPHQW FD LEPSRWRW EDQURQR F
 SHU * JDV /

9DORUL D EDVVR FDULFR SHU * 2 JDV /	
4XLQWD 3UR	
4XLQWD 3UR	
4XLQWD 3UR	
4XLQWD 3UR	
9DORUH QRPLQDOH	

7DE 9DORUL GL ULIHULPHQW FD LEPSRWRW EDQURQR F
 SHU * JDV 6

9DORUL D EDVVR FDULFR SHU * 2 JDV 6	
4XLQWD 3UR	
4XLQWD 3UR	
4XLQWD 3UR	
4XLQWD 3UR	

9DORUL D EDVVR FDULFR SHU * 2 JDV 6
9DORUH QRPLQDOH

7DE 9DORUL GL ULIHULPHQW FD LEFDSRWRW EDQURQ F
SHU * JDV /Z

9DORUL D EDVVR FDULFR SHU * 2 JDV /Z
4XLQWD 3UR
4XLQWD 3UR
4XLQWD 3UR
4XLQWD 3UR
9DORUH QRPLQDOH

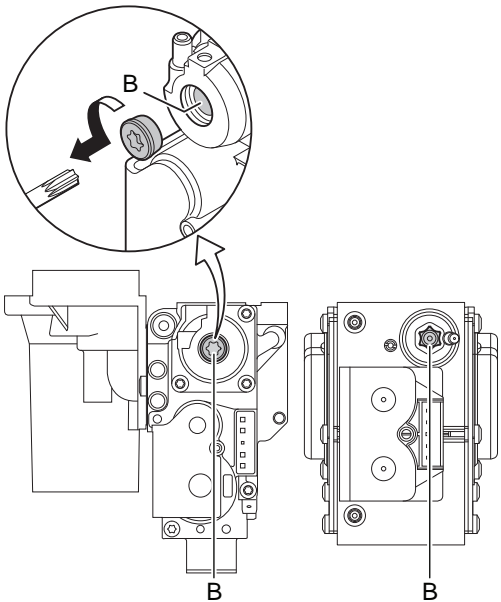
7DE 9DORUL GL ULIHULPHQW FD LEFDSRWRW EDQURQ F
SHU * SURSDQR

9DORUL D EDVVR FDULFR SHU * 2 SURSDQR
4XLQWD 3UR
4XLQWD 3UR
4XLQWD 3UR
4XLQWD 3UR
9DORUH QRPLQDOH

! \$WWHQJLRQH
, YDORULDSHEDVVR FDULFR GHYRQR HVVHUH VX
SLHQR FDULFR

6H LO YDORUH PLVXUDWR QRQ ULHQWUD WUD
UHJJHUH LO UDSSRUWR JDV DULD
UHJYHQGRQH GHOD %LWHJEDUHHRODLYDORUH
OD SHUFHQWSDUHQWLSR GL JDV LQ XVR 7DO
VHPSUH HVVHUH FRPSUHVD WUD LO OLPLWH G
TXHOOR PLQLPR
5LSRUWDUH OD FDOGDLD DO QRUPDOH VWDWR


)LJ 3RVLJLRQH GHOD YLWH GL UHJYHQGRQH GHOD



0DQXWHQ]LRQH

*HQHUDOLW¢

/D FDOGDLD QRQ QHFHVVLWD GL XQD PDQXWHQ]LRQH
HVVHUH LVSH]LRQDWD H PDQXWHQXWD SHULRGLF
PRPHQR PLJOLRUH SHU OD PDQXWHQ]LRQH OD F
GL ULFKLHVWD PDQXWHQ]LRQH DXWRPDWLF ,O S
WHPSLVWLFKH GL YLVXDOL]]D]LRQH GL TXHVWR P
VHFRQGD GHOO XWLOL]]R GHOO FDOGDLD LO SU
YLHQH YLVXDOL]]DWR DO SL» WDUGL GRSR DQQL

 **\$WWHQ]LRQH**


- /H RSHUD]LRQL GL PDQXWHQ]LRQH GHYRQR H
LQVWDOODWRUH TXDOLILFDWR
- 'XUDQWH JOL LQWHUYHQWL GL LVSH]LRQH R
VHPSUH WXWWH OH JXDUQL]LRQL GH SH]]L
- 6RVWLWXLUH L FRPSRQHQL GLIHWWRVL R X

,QWHUYHQWL GL LVSH]LRQH H PDQXWHQ]LRQH VWDQGDUG

 **\$YYHUWHQ]D**

,QGRVVDUH VHPSUH RFFKLDOL GL SURWH]LRQ
YHUH GXUDQWH OH RSHUD]LRQL GL SXOL]LD

3HU O DVVLVWHQ]D HVHJXLUH VHPSUH L VHJXHQR
QXWHQ]LRQH VWDQGDUG

 **\$WWHQ]LRQH**

- 9HULILFDUH VH WXWWH OH JXDUQL]LRQL VR
PHQWH OD WHQXWD DO JDV ^a JDUDQWLWD G
PHQR DOO LQWHUQR GHOO DSSRVLWD VFDO
- 'XUDQWH OH RSHUD]LRQL GL LVSH]LRQH H P
VHPSUH FKH O DFTXD JRFFH VSUX]]L HQWU
SRQHQL HOHWWULFL

&RQWUROOR GHOO SUHVVLQRH GHOO

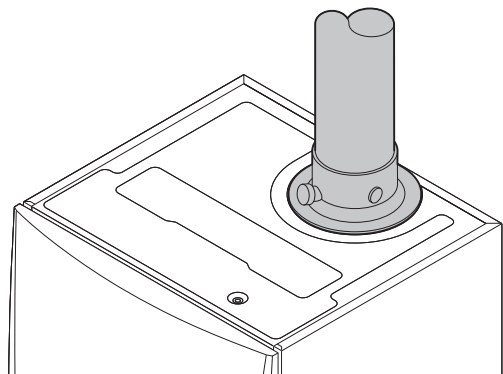
&RQWUROODUH OD SUHVVLQRH GHOO DFTXD
⇒ /D SUHVVLQRH GHOO DFTXD GHYH HVVHUH SD
OD SUHVVLQRH GHOO DFTXD ^a LQVWILFLHQW
6H QHFHVVDULR UDEERFFDUH O LPSLDQR GL

&RQWUROOR GHOO FRUHQWH GL LRQ

&RQWUROODUH OD FRUHQWH GL LRQL]]D]LRQ
ULGRWR
⇒ ,O YDORUH ^a VWDELOH GRSR PLQXWR
6H LO YDORUH ^a LQIHULRUH D w\$ SXOLUH R
VLRQH LRQL]]D]LRQH

&RQWUROOR GHL FROOHJDPHQWL GL XV

)LJ &RQWUROOR FROOHJDPHQWL XVFLWD IXPL
LQJUHVVVR DULD &RQWUROOR DUH OH FRQGLJLRQL H OD WHQXWD
H GHOO LQJUHVVVR DULD



AD-000084-01

&RQWUROOR GHOD FRPEXVWLRQH

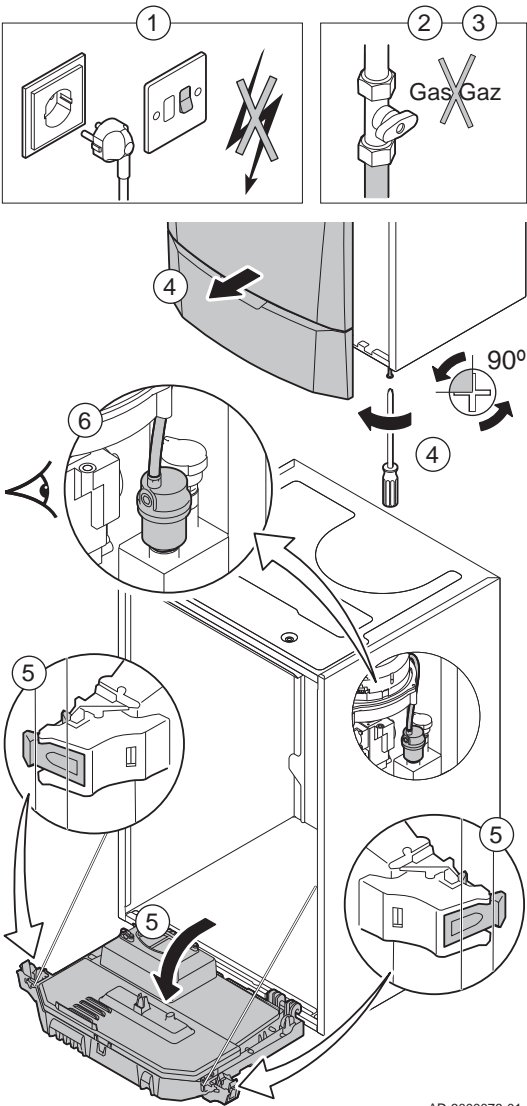
,O FRQWUROOR GHOD FRPEXVWLRQH DYQWUHQH P
FRQGRWWR GL XVFLWD IXPL



3HU XOWHULRUL LQIRUPD]LRQL YHGHH
&RQWUROOR H LPSRVWD]LRQH GHU UDSSRUWF

&RQWUROOR GHOOR VILDWR DXWRPDWL

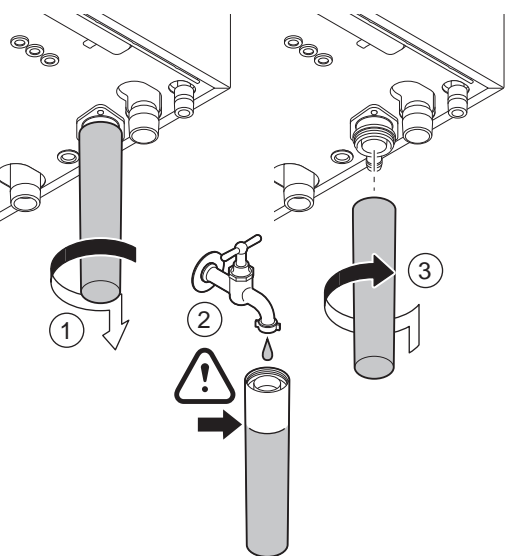
)LJ &RQWUROOR GHOOR VILDWR



AD-3000076-01

DXWRPDWLFR LO FROOHJDPHQWR HOHWULFR
 LVDWVLYDUH LO UXELQHWWR JDV VLWXDWR VRW
 &KLXGHUH LO UXELQHWWR JDV SULQFLSDOH
 6YLWDUH GL XQ TXDUWR GL JLUR OH GXH YLW
 UH H ULPXRYHUH TXHVW XOWLPD
 5LEDOWDUH LQ DYDQWL OD VFDWROD FRPDQG
 ILDQFKL
 9HULILFDUH O HYHQWXDOH SUHVHQJD GL DFTX
 WRPDWLFR
 ,Q FDVR GL SHUGLWD VRVWLWXLUH OR VILDW

)LJ 3XOLJLD GHO VLIRQH



AD-0000086-01

3XOLJLD GHO VLIRQH

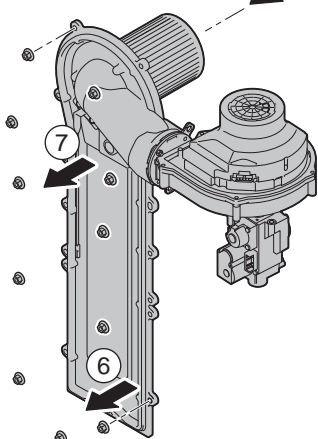
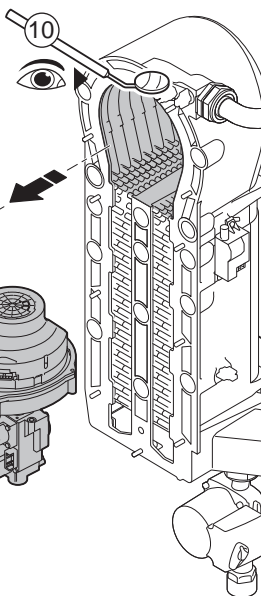
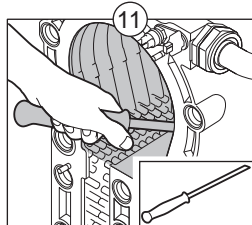
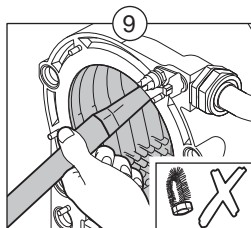
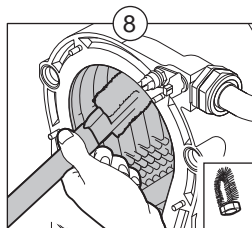
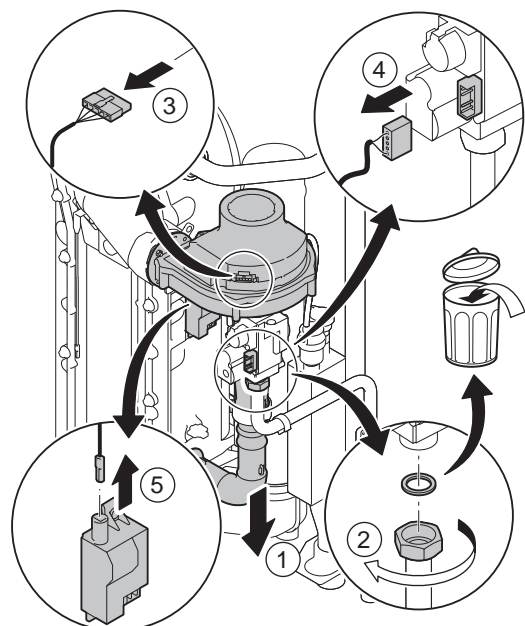
! 3HULFROR
 ,O VLIRQH GHYH HVVHUH VHPSUH ULHPSLWR D
 TXHVWR PRGR VL LPSHGLVFH O LQJUHVVVR GH

6PRQWDUH H SXOLUH LO VLIRQH
 5LHPSLUH G DFTXD LO VLIRQH
 0RQWDUH LO VLIRQH

&RQWUROOR GHO EUXFLDWRUH H SXOLJLD PDULR

)LJ

&RQWUROOR GHO EUXFLDWRUH H SXOLJLD
GHOOR VFDPELDWRUH SULPDULR



5LFRUGDUVL GL ULFROOHJDUH OR VSLQRWWL GDO YHQWLODWR
 6FROOHJDUH JOL VSLQRWWL GDOO DVVLPH Y
 6FROOHJDUH OR VSLQRWWL GHOO HOHWWRURG
 GL DFFHQVLRQH
 6PRQWUDUH OD SLDVWUD DQWHULRUH GDOOR V
 6ROOHYDUH FRQ FDXWHOD OD SLDVWUD DQWH
 YHQWLODWRUH GDOOR VFDPELDWRUH SULPDULR
 3XOLUH OD SDUWH VXSHULRUH GHOOR VFDPEL
 EXVWLRQH PHGLDQWH XQ DVSLUDSROYHUH GR
 DFFHVVRULR
 5LSHWHUH OD SXOLJLD DSSURIRQGLWD FRQ O
 OD GL SXOLJLD VXSHULRUH SUHVHQWH VXO EH
 9HULILFDUH DG HVHPSLR FRQ O DXVLOLR GL X
 FRQWDPLQD]LRQH YLVLELOH UHVLGXD 6H SUH
 3XOLUH OD VH]LRQH LQIHULRUH GHOOR VFDPE
 VSHFLDOH ODPD GL SXOLJLD DFFHVVRULR
 ,O EUXFLDWRUH QRQ QHFHVVLWD LQ JHQHUH O
 DXWRSXOHQWH
 - 6H QHFHVVDULR SXOLUH FRQ FXUD LO EUXFLD
 SUHVVD
 - 9HULILFDUH FKH LO FRSHUFKLR GHO EUXFLDV
 FULQDWXUH H R GDQQL ,Q Fdvr FRQWUDULR
 5LDVVHPEODUH O XQLW QHOOR RUGLQH LQYHU

! \$WWHQ]LRQH

- 5LFRUGDUVL GL ULFROOHJDUH OR VSLQRWWL
- &RQWUROODUH FKH OD JXDUQL]LRQH VLD SR
 LO JRPLWR GL PLVFHOD]LRQH H OR VFDPELD
 UH O DVVHQ]D GL TXDOXQTXH IXRULXVFLWD
 WURYDUVL LQ SRVL]LRQH DVVROXWDPHQWH
 WXUD

\$SULUH O DOLPHQWD]LRQH GHO JDV H ULDWWL
GHOOD FDOGDLD

5LVROX]LRQH GHL SUREOHPL

5LVROX]LRQH GHL SUREOHPL

&RGLFL GL HUURUH

,Q FDVR GL SUREOHPLH FRIDGLW DWHLO FRGLFH G
OLJJDWR

6PDOWLPHQWR

5LPRJLRQH ULFLFODJJLR



,PSRUWDQWH

/D ULPRJLRQH H OR VPDOWLPHQWR GHOOD FD
WXDWL GD SHUVRQDOH TXDOLILFDWR LQ FRQI
OLYHOOR ORFDOH H QD]LRQDOH

3HU ULPXRYHUH OD FDOGDLD SURFHGHUH FRPH V
'LVDWWLYDUH LO FROOHJDPHQWR HOHWWULFR
,QWHUURPSHUH O DOLPHQWD]LRQH GHO JDV
,QWHUURPSHUH O DOLPHQWD]LRQH GHO JDV
6FDULFDUH O LPSLDQWR
5LPXRYHUH LO VLIRQH
5LPXRYHUH L WXEL GL LQJUHVVUR DULD XVFLV
6FROOHJDUH WXWWL L WXEL GHOOD FDOGDLD
5LPXRYHUH OD FDOGDLD

\$SSHQGLFH

\$SSHQGLFH

,QIRUPDJLRQL VX (U3

6FKHGD SURGRWWR

7DE 6FKHGD SURGRWWR

5HPHKDXLQWD 3UR					
&ODVVH GL HIILFLHQJD HGHUJHWLFD VWDJLRQDOH GHO ULVFDODGD PHQWR G DPELHQWH		A	A		
3RWHQJD WHUPLBWDORLQDOOR 3VXS:					
(IILFLHQJD HGHUJHWLFD VWDJLRQDOH GHO ULVFDODGD ELHQWH					
&RQVXPR HGHUJHWLFR DQQXR	* -				
/LYHOOR GL SRWGHQDDPELQWH LGV%HUQR					



9HGHUH

3HU OH SUHFDXJLRQL VSHFLILFKH UHODWLYH
QH H PDQXWHLQJLQJD SDJLQD

6FKHGD G LQVLHPH

) LJ 6FKHGD G LQVLHPH SHU FDOGD LH FRQ O LQGLFD]LRQH GHOO HIILFLHQ]D

Efficienza energetica stagionale del riscaldamento d'ambiente della caldaia

①
 %

Dispositivo di controllo della temperatura
 dalla scheda del dispositivo di controllo della temperatura

Classe I = 1%, Classe II = 2%, Classe III = 1,5%,
 Classe IV = 2%, Classe V = 3%, Classe VI = 4%,
 Classe VII = 3,5%, Classe VIII = 5%

②
 + %

Caldaia supplementare
 dalla scheda della caldaia

Efficienza energetica stagionale del riscaldamento d'ambiente (in %)

③
 $(\text{input} - 'I') \times 0,1 = \pm \text{input} \%$

Contributo solare
 dalla scheda del dispositivo solare

Dimensione collettore (in m²)

Volume serbatoio (in m³)

Efficienza collettore (in %)

Classe serbatoio ⁽¹⁾
 A* = 0,95, A = 0,91,
 B = 0,86, C = 0,83,
 D - G = 0,81

$(\text{'III'} \times \text{input} + \text{'IV'} \times \text{input}) \times 0,9 \times (\text{input} / 100) \times \text{input} = + \text{input} \%$

(1) Se la classe del serbatoio è superiore ad A, utilizzare 0,95

Pompa di calore supplementare
 dalla scheda della pompa di calore

Efficienza energetica stagionale del riscaldamento d'ambiente (in %)

⑤
 $(\text{input} - 'I') \times 'II' = + \text{input} \%$

Contributo solare E pompa di calore supplementare
 selezionare un valore inferiore

$0,5 \times \text{input} \text{ O } 0,5 \times \text{input} = - \text{input} \%$

Efficienza energetica stagionale del riscaldamento d'ambiente dell'insieme

⑦
 %

Classe di efficienza energetica stagionale del riscaldamento d'ambiente dell'insieme

<input type="checkbox"/>	<input type="checkbox"/>	<input type="checkbox"/>	<input type="checkbox"/>	<input type="checkbox"/>	<input type="checkbox"/>	<input type="checkbox"/>	<input type="checkbox"/>	<input type="checkbox"/>	<input type="checkbox"/>
G	F	E	D	C	B	A	A⁺	A⁺⁺	A⁺⁺⁺
<30%	≥30%	≥34%	≥36%	≥75%	≥82%	≥90%	≥98%	≥125%	≥150%

Caldaia e pompa di calore supplementare installate con emettitori di calore a bassa temperatura a 35°C
 dalla scheda della pompa di calore

⑦
 + (50 x 'II') = %

L'efficienza energetica dell'insieme di prodotti indicati in questa scheda potrebbe non corrispondere all'effettiva efficienza energetica dopo l'installazione in un edificio, in quanto l'efficienza è influenzata da ulteriori fattori quali la dispersione termica nel sistema di distribuzione e il dimensionamento dei prodotti rispetto alla grandezza e alle caratteristiche dell'edificio.

, O YDORUH GHOO HIILFLHQ]D HGHUJHWWLFD VV
 G-DPELHQWH GHOO-DSSDUHFFKLR SUHIHUHQ]
 G-DPELHQWH HVSUHVVR LQ

,, ,O IDWWRUH GL SRQGHUJLRQH GHOOD SRWH
 ULVFDQGDPHQWR SUHIHUHQJLDOL R VXSSOHP
 GLFDWR QHOOD VHJXHQWH WDEHOOD
 ,, ,O YDORUH GHOO-HVSUHVVLQRH PDWHPDWLF
 3QRPLQDOH VL ULIHULVFH DOO-DSSDUHFFK
 ELHQWH SUHIHUHQJLDH
 ,9 ,O YDORUH GHOO-HVSUHVVLQRH PDWHPDWLF
 3QRPLQDOH VL ULIHULVFH DOO-DSSDUHFFK
 ELHQWH SUHIHUHQJLDH

7DE 3RQGHUJLRQH GHOOD FDOGDH

3VXS	3QRPLQDOH	3VXS GD	3VXS VLRPH SULYR GL VHU E, D W R R H P H O D X Q E W R D G L D O H	EDWR R H P H O D X Q E W R D G L D O H	U E D W R R H P H O D X Q E W R D G L D O H
8					
, YDORUL LQWHUPHGL VRQR FDOFRODWL PHGLDQWH LQWHUSRODJLRQH OLQH DUH WUD G 3QRPLQDOH VL ULIHULVFH DOO-DSSDUHFFKLR SHU LO ULVFDQGDPHQWR G-DPELHQWH R					

k &RS\ULJKW

/H LQIRUPDJLRQL WHFQLFKH H WHFQRORJLFKH FRQWHQXWH QHOOH SUHVHQWL LV
WXDOPHQWH IRUQLWL ULPDQJRQR GL QRVUD SURSULHWç H QRQ SRVVRQR HVV
D PRGLLFKH

T +31 (0)55 549 6969
F +31 (0)55 549 6496
E remeha@remeha.nl

Remeha B.V.
Marchantststraat 55
7332 AZ Apeldoorn
P.O. Box 32
7300 AA Apeldoorn



PART OF BDR THERMEA

