



Questo manuale d'istruzione è fornito da trovaprezzi.it. Scopri tutte le offerte per [Beko Frigorifero da incasso BCSA285K4SN LH](#) o cerca il tuo prodotto tra le [migliori offerte di Frigoriferi e Congelatori](#)



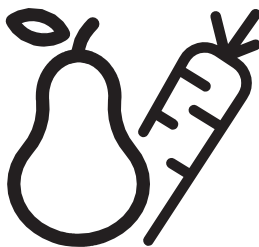
Questo manuale d'istruzione è fornito da trovaprezzi.it. Scopri tutte le offerte per [Beko Frigorifero da incasso BCSA285K4SN LH](#) o cerca il tuo prodotto tra le [migliori offerte di Frigoriferi e Congelatori](#)

beko

Refrigerator / Instruction of use

Frigorifero / Istruzioni per l'uso

Réfrigérateur / Notice d'utilisation



BCSA285K4SN LH



EN / IT / FR

Please read this manual first!

Dear Customer,

We hope that your product, which has been produced in modern plants and checked under the most meticulous quality control procedures, will provide you an effective service.

For this, we recommend you to carefully read the entire manual of your product before using it and keep it at hand for future references.


This manual

- Will help you use your appliance in a fast and safe way.
- Read the manual before installing and operating your product.
- Follow the instructions, especially those for safety.
- Keep the manual in an easily accessible place as you may need it later.
- Besides, read also the other documents provided with your product.
- Please note that this manual may be valid for other models as well.

Symbols and their descriptions

This instruction manual contains the following symbols:

 Important information or useful usage tips.

 Warning against dangerous conditions for life and property.


 Warning against electric voltage.



WARNING!

In order to ensure a normal operation of your refrigerating appliance, which uses a completely environmentally friendly refrigerant the R600a (flammable only under certain conditions) you must observe the following rules:

- Do not hinder the free circulation of the air around the appliance.
- Do not use mechanical devices in order to accelerate the defrosting, others than the ones recommended by the manufacturer.
- Do not destroy the refrigerating circuit.
- Do not use electric appliances inside the food keeping compartment, other than those that might have been recommended by the manufacturer.

 Please scan the QR code to find all the information relating to the packaging and how to manage the packaging waste.

INFORMATION



ENERGY



SUPPLIER'S NAME

MODEL IDENTIFIER (*)

A

A

The model information as stored in the product data base can be reached by entering following website and searching for your model identifier (*) found on energy label.

<https://eprel.ec.europa.eu/>

CONTENTS

1 Your refrigerator **3**

2 Important Safety Warnings **4**

Intended use	4
General safety.....	4
Child safety.....	6
Compliance with RoHS Directive:	6
HCA Warning	6
Things to be done for energy saving ...	6

3 Installation **7**

Points to be considered when re-transporting your refrigerator	7
Before operating your refrigerator	7
Electric connection	7
Disposing of the packaging	7
Disposing of your old refrigerator	8
Placing and Installation	8
Replacing the interior light bulb	8

4 Preparation **9**

Reversing the doors	10
---------------------------	----

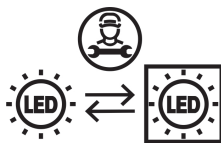
5 Using your refrigerator **11**

Thermostat setting button.....	11
Defrost	11
Bottle holder	12

6 Maintenance and cleaning **13**

Protection of plastic surfaces	13
--------------------------------------	----

7 Recommended solutions for the problems **14**



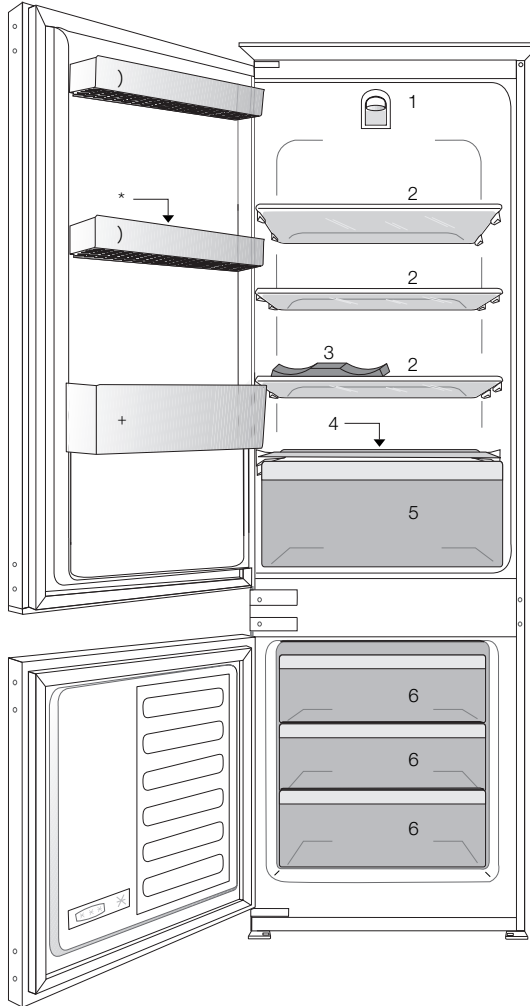
This product is equipped with a lighting source of the "G" energy class. The lighting source in this product shall only be replaced by professional repairers.

Recycling



This product is supplied with the selective sorting symbol for waste electrical and electronic equipment (WEEE). This means that this product must be handled pursuant to European Directive 2012/19/EU in order to be recycled or dismantled to minimise its impact on the environment. For further information, please contact your local or regional authorities. Electronic products not included in the selective sorting process are potentially dangerous for the environment and human health due to the presence of hazardous substances.

1 Your refrigerator



- | | |
|--|--------------------------------|
| 1. Thermostat knob & Lamp housing | 5. Crisper |
| 2. Movable shelves | 6. Freezer compartment drawers |
| 3. Bottle holder | 7. Adjustable door shelves |
| 4. Defrost water collection channel - drain tube | 8. Egg tray |
| | 9. Bottle shelf |

i Figures that take place in this instruction manual are schematic and may not correspond exactly with your product. If the subject parts are not included in the product you have purchased, then it is valid for other models.

2 Important Safety Warnings

Please review the following information. Failure to observe this information may cause injuries or material damage. Otherwise, all warranty and reliability commitments will become invalid.

Original Spare parts will be provided for 10 years, following the product purchasing date.

Intended use

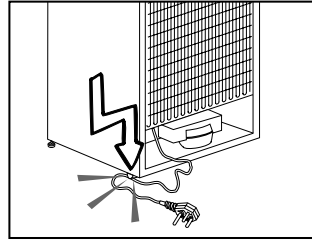
This product is intended to be used:

- indoors and in closed areas such as homes;
- in closed working environments such as stores and offices;
- in closed accommodation areas such as farm houses, hotels, pensions.
- This product should not be used outdoors.

General safety

- When you want to dispose/scrap the product, we recommend you to consult the authorized service in order to learn the required information and authorized bodies.
- Consult your authorized service for all your questions and problems related to the refrigerator. Do not intervene or let someone intervene to the refrigerator without notifying the authorised services.
- For products with a freezer compartment; Do not eat cone ice cream and ice cubes immediately after you take them out of the freezer compartment! (This may cause frostbite in your mouth.)
- For products with a freezer compartment; Do not put bottled and canned liquid beverages in the freezer compartment. Otherwise, these may burst.
- Do not touch frozen food by hand; they may stick to your hand.
- Unplug your refrigerator before cleaning or defrosting.
- Vapor and vaporized cleaning materials should never be used in cleaning and defrosting processes of your refrigerator. In such cases, the vapor may get in contact with the electrical parts and cause short circuit or electric shock.
- Never use the parts on your refrigerator such as the door as a means of support or step.
- Do not use electrical devices inside the refrigerator.
- Do not damage the parts, where the refrigerant is circulating, with drilling or cutting tools. The refrigerant that might blow out when the gas channels of the evaporator, pipe extensions or surface coatings are punctured causes skin irritations and eye injuries.
- Do not cover or block the ventilation holes on your refrigerator with any material.
- Electrical devices must be repaired by only authorised persons. Repairs performed by incompetent persons create a risk for the user.
- In case of any failure or during a maintenance or repair work, disconnect your refrigerator's mains supply by either turning off the relevant fuse or unplugging your appliance.

- Do not pull by the cable when pulling off the plug.
- Place the beverage with higher proofs tightly closed and vertically.
- Never store spray cans containing flammable and explosive substances in the refrigerator.
- Do not use mechanical devices or other means to accelerate the defrosting process, other than those recommended by the manufacturer.
- This appliance is not intended for use by persons (including children) with reduced physical, sensory or mental capabilities, or lack of experience and knowledge, unless they have been given supervision or instruction concerning use of the appliance by a person responsible for their safety. Children should be supervised to ensure that they do not play with the appliance.
- Do not operate a damaged refrigerator. Consult with the service agent if you have any concerns.
- Electrical safety of your refrigerator shall be guaranteed only if the earth system in your house complies with standards.
- Exposing the product to rain, snow, sun and wind is dangerous with respect to electrical safety.
- Contact authorized service when there is a power cable damage to avoid danger.
- Never plug the refrigerator into the wall outlet during installation. Otherwise, risk of death or serious injury may arise.
- This refrigerator is intended for only storing food items. It must not be used for any other purpose.
- Label of technical specifications is located on the left wall inside the refrigerator.
- Never connect your refrigerator to electricity-saving systems; they may damage the refrigerator.
- If there is a blue light on the refrigerator, do not look at the blue light with optical tools.
- For manually controlled refrigerators, wait for at least 5 minutes to start the refrigerator after power failure.
- This operation manual should be handed in to the new owner of the product when it is given to others.
- Avoid causing damage on power cable when transporting the refrigerator. Bending cable may cause fire. Never place heavy objects on power cable.



- Do not touch the plug with wet hands when plugging the product.
- Do not plug the refrigerator if the wall outlet is loose.
- Water should not be sprayed directly on inner or outer parts of the product for safety purposes.
- Do not spray substances containing inflammable gases such as propane gas near the refrigerator to avoid fire and explosion risk.
- Never place containers filled with water on top of the refrigerator, otherwise this may cause electric shock or fire.
- Do not overload your refrigerator with excessive amounts of food. If overloaded, the food items may fall down and hurt you and damage refrigerator when you open the door.
- Never place objects on top of the refrigerator; otherwise, these objects may fall down when you open or close the refrigerator's door.
- As they require a precise temperature, vaccines, heat-sensitive medicine and scientific materials and etc. should not be kept in the refrigerator.

- If not to be used for a long time, refrigerator should be unplugged. A possible problem in power cable may cause fire.
- The plug's tip should be regularly cleaned; otherwise, it may cause fire.
- The plug's tip should be cleaned regularly with a dry cloth; otherwise, it may cause fire.
- Refrigerator may move if adjustable legs are not properly secured on the floor. Properly securing adjustable legs on the floor can prevent the refrigerator to move.

If this is not done, unintended vibration sounds may also occur.

- When carrying the refrigerator, do not hold it from door handle. Otherwise, it may be snapped.
- When you have to place your product next to another refrigerator or freezer, the distance between devices should be at least 8 cm. Otherwise, adjacent side walls may be humidified.
- This appliance can be used by children aged from 8 years and above and persons with reduced physical, sensory or mental capabilities or lack of experience and knowledge if they have been given supervision or instruction concerning use of the appliance in a safe way and understand the hazards involved. Children shall not play with the appliance. Cleaning and user maintenance shall not be made by children without supervision.

Child safety

- If the door has a lock, the key should be kept away from reach of children.
- Children must be supervised to prevent them from tampering with the product.

Compliance with RoHS Directive:

- The product you have purchased complies with EU RoHS Directive (2011/65/EU). It does not contain harmful and prohibited materials specified in the Directive.

HCA Warning

If your product's cooling system contains R600a:

This gas is flammable. Therefore, pay attention to not damaging the cooling system and piping during usage and transportation. In the event of damage, keep your product away from potential fire sources that can cause the product catch a fire and ventilate the room in which the unit is placed.

Ignore this warning if your product's cooling system contains R134a.

Type of gas used in the product is stated in the type plate which is on the left wall inside the refrigerator. Never throw the product in fire for disposal.

Things to be done for energy saving

- Do not leave the doors of your refrigerator open for a long time.
- Do not put hot food or drinks in your refrigerator.
- Do not overload your refrigerator so that the air circulation inside of it is not prevented.
- Do not install your refrigerator under direct sunlight or near heat emitting appliances such as ovens, dishwashers or radiators.
- Pay attention to keep your food in closed containers.
- For products with a freezer compartment; You can store maximum amount of food items in the freezer when you remove the shelf or drawer of the freezer. Energy consumption value stated for your refrigerator has been determined by removing freezer shelf or drawer and under maximum load. There is no harm to use a shelf or drawer according to the shapes and size of food to be frozen.
- Thawing frozen food in fridge compartment will both provide energy saving and preserve the food quality.

3 Installation

⚠ Please remember that the manufacturer shall not be held liable if the information given in the instruction manual is not observed.

Points to be considered when re-transporting your refrigerator

1. Your refrigerator must be emptied and cleaned prior to any transportation.
2. Shelves, accessories, crisper and etc. in your refrigerator must be fastened securely by adhesive tape against any jolt before repackaging.
3. Packaging must be tied with thick tapes and strong ropes and the rules of transportation printed on the package must be followed.

Please do not forget...

Every recycled material is an indispensable source for the nature and for our national resources. If you wish to contribute to recycling the packaging materials, you can get further information from the environmental bodies or local authorities.

Before operating your refrigerator

Before starting to use your refrigerator check the following:

1. Is the interior of the refrigerator dry and can the air circulate freely in the rear of it?
2. Clean the interior of the refrigerator as recommended in the “**Maintenance and cleaning**” section.
3. Plug the refrigerator into the wall outlet. When the fridge door is open, the fridge compartment interior light will come on.

4. You will hear a noise as the compressor starts up. The liquid and gases sealed within the refrigeration system may also give rise to noise, even if the compressor is not running and this is quite normal.
5. Front edges of the refrigerator may feel warm. This is normal. These areas are designed to be warm to avoid condensation

Electric connection

Connect your product to a grounded socket which is being protected by a fuse with the appropriate capacity.

Important:

- The connection must be in compliance with national regulations.
- The power cable plug must be easily accessible after installation.
- The specified voltage must be equal to your mains voltage.
- **Extension cables and multiway plugs must not be used for connection.**

⚠ A damaged power cable must be replaced by a qualified electrician.

⚠ Product must not be operated before it is repaired! There is danger of electric shock!

Disposing of the packaging

The packing materials may be dangerous for children. Keep the packing materials out of the reach of children or dispose of them by classifying them in accordance with the waste instructions. Do not dispose of them along with the normal household waste.

The packing of your refrigerator is produced from recyclable materials.

Disposing of your old refrigerator

Dispose of your old refrigerator without giving any harm to the environment.

- You may consult your authorised dealer or waste collection center of your municipality about the disposal of your refrigerator.

Before disposing of your refrigerator, cut out the electric plug and, if there are any locks on the door, make them inoperable in order to protect children against any danger.

Placing and Installation

⚠ If the entrance door of the room where the refrigerator will be installed is not wide enough for the refrigerator to pass through, then call the authorised service to have them remove the doors of your refrigerator and pass it sideways through the door.

1. Install your refrigerator to a place that allows ease of use.
2. Keep your refrigerator away from heat sources, humid places and direct sunlight.
3. There must be appropriate air ventilation around your refrigerator in order to achieve an efficient operation. If the refrigerator is to be placed in a recess in the wall, there must be at least 5 cm distance with the ceiling and at least 5 cm with the wall. If the floor is covered with a carpet, your product must be elevated 2,5 cm from the floor.
4. Place your refrigerator on an even floor surface to prevent jolts.
5. Do not keep your refrigerator in ambient temperatures under 10°C.

Replacing the interior light bulb

To change the Bulb/LED used for illumination of your refrigerator, call your Authorised Service.

The lamp(s) used in this appliance is not suitable for household room illumination. The intended purpose of this lamp is to assist the user to place foodstuffs in the refrigerator/freezer in a safe and comfortable way.

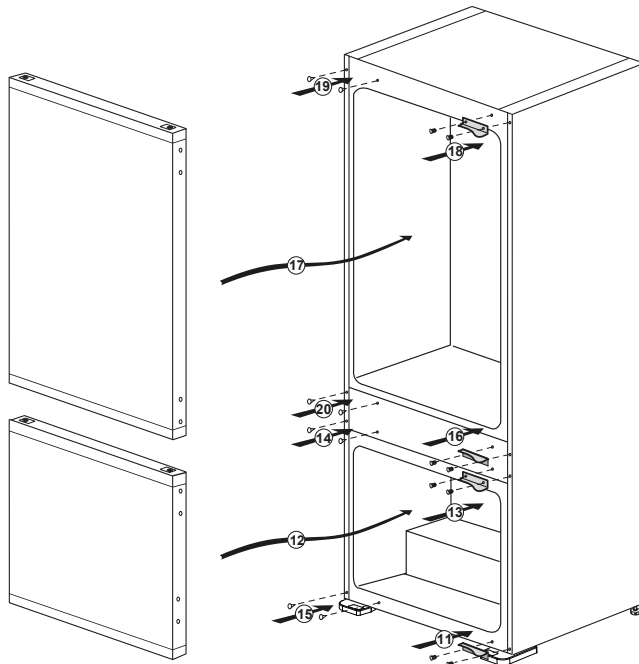
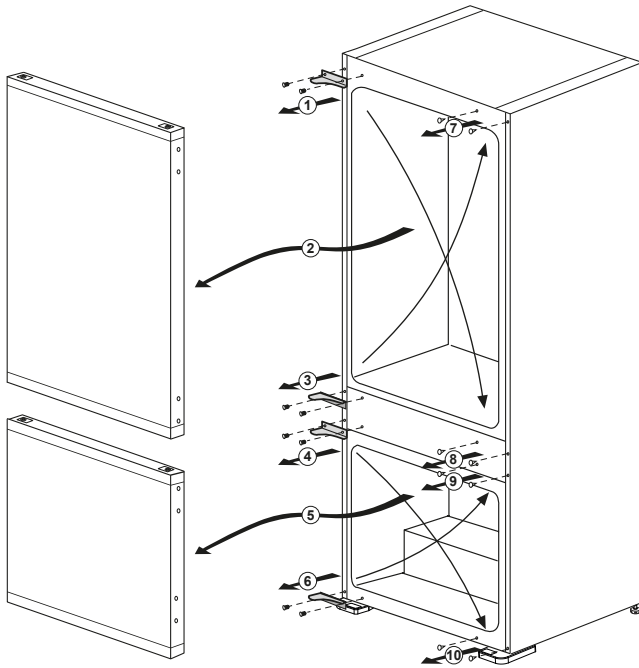
The lamps used in this appliance have to withstand extreme physical conditions such as temperatures below -20°C.

4 Preparation

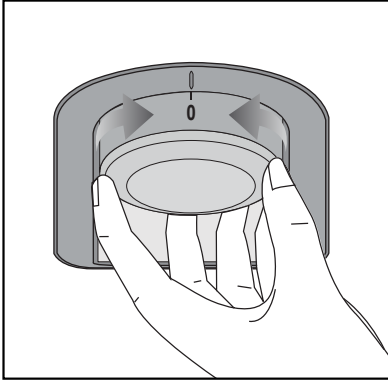
- i** Your refrigerator should be installed at least 30 cm away from heat sources such as hobs, ovens, central heater and stoves and at least 5 cm away from electrical ovens and should not be located under direct sunlight.
- i** The ambient temperature of the room where you install your refrigerator should at least be 10°C. Operating your refrigerator under cooler conditions than this is not recommended with regard to its efficiency.
- i** Please make sure that the interior of your refrigerator is cleaned thoroughly.
- i** If two refrigerators are to be installed side by side, there should be at least 2 cm distance between them.
- i** When you operate your refrigerator for the first time, please observe the following instructions during the initial six hours.
 - The door should not be opened frequently.
 - It must be operated empty without any food in it.
 - Do not unplug your refrigerator. If a power failure occurs out of your control, please see the warnings in the “**Recommended solutions for the problems**” section.
- i** Original packaging and foam materials should be kept for future transportations or moving.

Reversing the doors

Proceed in numerical order.



5 Using your refrigerator



Thermostat setting button

The interior temperature of your refrigerator changes for the following reasons:

- Seasonal temperatures.
- Frequent opening of the door and leaving the door open for long periods.
- Food put into the refrigerator without cooling down to the room temperature.
- The location of the refrigerator in the room (e.g. exposing to sunlight).
- You may adjust the varying interior temperature due to such reasons by using the thermostat. Numbers around the thermostat button indicates the cooling degrees.
- If the ambient temperature is higher than 32°C, turn the thermostat button to maximum position.
- If the ambient temperature is lower than 25°C, turn the thermostat button to minimum position.

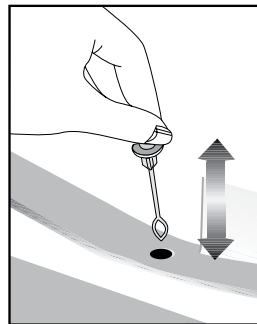
Defrost

A) Fridge compartment

Fridge compartment performs full-automatic defrosting.

Water drops and a frosting up to 7-8 mm can occur on the inner rear wall of the fridge compartment while your refrigerator cools down. Such formation is normal as a result of the cooling system. The frost formation is defrosted by performing automatic defrosting with certain intervals thanks to the automatic defrosting system of the rear wall. User is not required to scrape the frost or remove the water drops. Water resulting from the defrosting passes from the water collection groove and flows into the evaporator through the drain pipe and evaporates here by itself.

Check regularly to see if the drain pipe is clogged or not and clear it with the stick in the hole when necessary.



B) Freezer compartment

Deep freezer compartment does not perform automatic defrosting in order to prevent decaying of the frozen food.

Defrosting is very straightforward and without mess, thanks to a special defrost collection basin. Defrost twice a year or when a frost layer of around 7 (1/4") mm has formed.

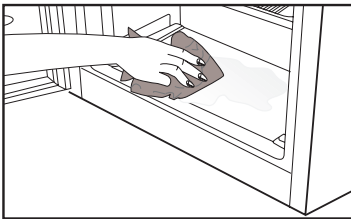
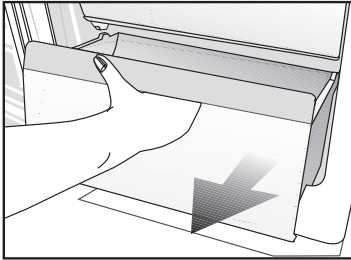
To start the defrosting procedure, switch off the appliance at the socket outlet and pull out the mains plug. All food should be wrapped in several layers of newspaper and stored in a cool place (e.g. fridge or larder). Containers of warm water may be placed carefully in the freezer to speed up the defrosting.

Do not use pointed or sharp-edged objects, such as knives or forks to remove the frost.

Never use hair dryers, electrical heaters or other such electrical appliances for defrosting.

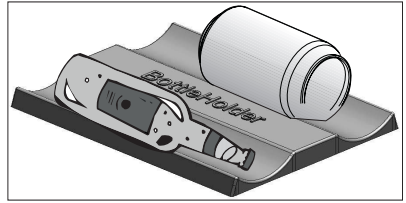
Sponge out the defrost water collected in the bottom of the freezer compartment.

After defrosting, dry the interior thoroughly. Insert the plug into the wall socket and switch on the electricity supply.



Bottle holder

This accessory can be used for storing bottles or cans side by side.



6 Maintenance and cleaning

- ⚠ Never use gasoline, benzene or similar substances for cleaning purposes.
- ⚠ We recommend that you unplug the appliance before cleaning.
- ⚠ Never use any sharp abrasive instrument, soap, household cleaner, detergent and wax polish for cleaning.
- ℹ Use lukewarm water to clean the cabinet of your refrigerator and wipe it dry.
- ℹ Use a damp cloth wrung out in a solution of one teaspoon of bicarbonate of soda to one pint of water to clean the interior and wipe it dry.
- ⚠ Make sure that no water enters the lamp housing and other electrical items.
- ⚠ If your refrigerator is not going to be used for a long period of time, unplug the power cable, remove all food, clean it and leave the door ajar.
- ℹ Check door seals regularly to ensure they are clean and free from food particles.
- ⚠ To remove door racks, remove all the contents and then simply push the door rack upwards from the base.

Protection of plastic surfaces

- ℹ Do not put the liquid oils or oil-cooked meals in your refrigerator in unsealed containers as they damage the plastic surfaces of your refrigerator. In case of spilling or smearing oil on the plastic surfaces, clean and rinse the relevant part of the surface at once with warm water.

7 Recommended solutions for the problems

Please review this list before calling the service. It might save you time and money. This list includes frequent complaints that are not arising from defective workmanship or material usage. Some of the features described here may not exist in your product.

The refrigerator does not operate.

- Is the refrigerator properly plugged in? Insert the plug to the wall socket.
- Is the fuse of the socket which your refrigerator is connected to or the main fuse blown out? Check the fuse.

Condensation on the side wall of the fridge compartment (MULTIZONE, COOL CONTROL and FLEXI ZONE).

- Very cold ambient conditions. Frequent opening and closing of the door. Highly humid ambient conditions. Storage of food containing liquid in open containers. Leaving the door ajar. Switching the thermostat to a colder degree.
- Decreasing the time the door left open or using it less frequently.
- Covering the food stored in open containers with a suitable material.
- Wipe the condensation using a dry cloth and check if it persists.

Compressor is not running.

- Protective thermic of the compressor will blow out during sudden power failures or plug-out plug-ins as the refrigerant pressure in the cooling system of the refrigerator has not been balanced yet. Your refrigerator will start running approximately after 6 minutes. Please call the service if the refrigerator does not startup at the end of this period.
- The fridge is in defrost cycle. This is normal for a full-automatically defrosting refrigerator. Defrosting cycle occurs periodically.
- Your refrigerator is not plugged into the socket. Make sure that the plug is properly fit into the socket.
- Are the temperature adjustments correctly made?
- Power might be cut off.

The fridge is running frequently or for a long time.

- Your new product may be wider than the previous one. This is quite normal. Large refrigerators operate for a longer period of time.
- The ambient room temperature may be high. This is quite normal.
- The refrigerator might have been plugged in recently or might have been loaded with food. Cooling down of the refrigerator completely may last for a couple of hours longer.
- Large amounts of hot food might have been put in the refrigerator recently. Hot food causes longer running of the refrigerator until they reach the safe storage temperature.
- Doors might have been opened frequently or left ajar for a long time. The warm air that has entered into the refrigerator causes the refrigerator to run for longer periods. Open the doors less frequently.
- Freezer or fridge compartment door might have been left ajar. Check if the doors are tightly closed.
- The refrigerator is adjusted to a very low temperature. Adjust the refrigerator temperature to a warmer degree and wait until the temperature is achieved.
- Door seal of the fridge or freezer may be soiled, worn out, broken or not properly seated. Clean or replace the seal. Damaged/broken seal causes the refrigerator to run for a longer period of time in order to maintain the current temperature.

Freezer temperature is very low while the fridge temperature is sufficient.

- The freezer temperature is adjusted to a very low temperature. Adjust the freezer temperature to a warmer degree and check.

Fridge temperature is very low while the freezer temperature is sufficient.

- The fridge temperature might have been adjusted to a very low temperature. Adjust the fridge temperature to a warmer degree and check.

Food kept in the fridge compartment drawers are freezing.

- The fridge temperature might have been adjusted to a very low temperature. Adjust the fridge temperature to a warmer degree and check.

Temperature in the fridge or freezer is very high.

- The fridge temperature might have been adjusted to a very high degree. Fridge adjustment has an effect on the temperature of the freezer. Change the temperature of the fridge or freezer until the fridge or freezer temperature reaches to a sufficient level.
- Doors might have been opened frequently or left ajar for a long time; open them less frequently.
- Door might have been left ajar; close the door completely.
- Large amount of hot food might have been put in the refrigerator recently. Wait until the fridge or freezer reaches the desired temperature.
- The refrigerator might have been plugged in recently. Cooling down of the refrigerator completely takes time.

The operation noise increases when the refrigerator is running.
<ul style="list-style-type: none"> The operating performance of the refrigerator may change due to the changes in the ambient temperature. It is normal and not a fault.
Vibrations or noise.
<ul style="list-style-type: none"> The floor is not even or it is weak. The refrigerator rocks when moved slowly. Make sure that the floor is strong enough to carry the refrigerator, and level. The noise may be caused by the items put onto the refrigerator. Items on top of the refrigerator should be removed.
There are noises coming from the refrigerator like liquid spilling or spraying.
<ul style="list-style-type: none"> Liquid and gas flows happen in accordance with the operating principles of your refrigerator. It is normal and not a fault.
There is a noise like wind blowing.
<ul style="list-style-type: none"> Fans are used in order to cool the refrigerator. It is normal and not a fault.
Condensation on the inner walls of refrigerator.
<ul style="list-style-type: none"> Hot and humid weather increases icing and condensation. It is normal and not a fault. Doors might have been left ajar; make sure that the doors are closed fully. Doors might have been opened frequently or left ajar for a long time; open them less frequently.
Humidity occurs on the outside of the refrigerator or between the doors.
<ul style="list-style-type: none"> There might be humidity in the air; this is quite normal in humid weather. When the humidity is less, condensation will disappear.
Bad odour inside the refrigerator.
<ul style="list-style-type: none"> Inside of the refrigerator must be cleaned. Clean the inside of the refrigerator with a sponge, lukewarm water or carbonated water. Some containers or package materials might cause the smell. Use a different container or different brand packaging material.
The door is not closing.
<ul style="list-style-type: none"> Food packages may prevent the door's closing. Replace the packages that are obstructing the door. The refrigerator is not completely upright on the floor and rocking when slightly moved. Adjust the elevation screws. The floor is not level or strong. Make sure that the floor is level and capable to carry the refrigerator.
Crispers are stuck.
<ul style="list-style-type: none"> The food might be touching the ceiling of the drawer. Rearrange food in the drawer.

Leggere innanzitutto il manuale di istruzioni!

Gentile Cliente,

ci auguriamo che l'articolo da Lei scelto, prodotto in moderni stabilimenti e sottoposto ai più severi controlli di qualità, risponda interamente alle Sue esigenze.




A tal fine, La invitiamo a leggere attentamente il manuale di istruzioni del prodotto prima di procedere al suo utilizzo e di conservarlo per eventuali consultazioni future.

Il presente manuale

- Aiuterà l'utente ad utilizzare l'apparecchio in modo rapido e sicuro.
- Leggere le istruzioni per l'uso prima di installare e utilizzare il prodotto.
- Seguire attentamente le istruzioni, in particolare quelle inerenti alla sicurezza.
- Conservare il presente manuale in un luogo facilmente accessibile per eventuali future consultazioni.
- Leggere inoltre gli altri documenti forniti assieme al prodotto.
- Il presente manuale può essere valido anche per altri modelli.

Simboli e loro descrizione

Il manuale di istruzioni contiene i seguenti simboli:

-  Informazioni importanti o consigli utili di utilizzo.
-  Segnale di avvertimento in caso di situazioni pericolose per la persona o i beni.
-  Avvertimento in caso di problemi con il voltaggio.






AVVERTENZA!

Per garantire il funzionamento adeguato dell'elettrodomestico, che utilizza il refrigerante R600a completamente adatto all'ambiente (inflammabile solo in determinate condizioni), è necessario attenersi alle seguenti regole:

- Non ostacolare la libera circolazione dell'aria attorno all'elettrodomestico.
- Per accelerare lo sbrinamento non utilizzare dispositivi meccanici diversi da quelli consigliati dal produttore.
- Non danneggiare il circuito refrigerante.
- Non utilizzare all'interno del comparto del cibo elettrodomestici diversi da quelli consigliati dal produttore.

 Scansiona il QR code per trovare tutte le informazioni relative all'imballo e come gestire lo smaltimento.

INFORMAZIONI

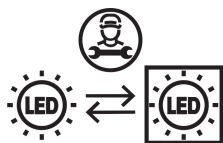
	ENERG 	
SUPPLIER'S NAME	MODEL IDENTIFIER	→ (*)
A	A	

Le informazioni sul modello memorizzate nella banca dati dei prodotti possono essere consultate sul seguente sito web, cercando l'identificativo del modello (*) presente sull'etichetta energetica.

<https://eprel.ec.europa.eu/>

INDICE

1 Il frigorifero	3	4 Preparazione	9
		Inversione degli sportelli.....	10
2 Importanti avvertenze per la sicurezza	4	5 Utilizzo del frigorifero	11
Usò previsto	4	Tasto di impostazione termostato	11
Sicurezza generale	4	Sbrinatorio	11
Sicurezza bambini	6	Portabottiglie	12
Conformità alla Direttiva RoHS	6		
Avvertenza HCA	6		
Cose da fare per risparmiare energia ...	6		
3 Installazione	7	6 Manutenzione e pulizia	13
Punti da tenere in considerazione quando si trasporta nuovamente il frigorifero	7	Protezione delle superfici di plastica....	13
Prima di utilizzare il frigorifero	7		
Collegamento elettrico	7		
Smaltimento del materiale di imballaggio	8		
Smaltimento del vecchio frigorifero	8		
Posizionamento e installazione	8		
Sostituzione della lampadina interna...8			
		7 Soluzioni consigliate per i problemi	14



Questo prodotto è dotato di una sorgente di illuminazione con classe energetica "G". La sorgente di illuminazione nel prodotto dovrà essere sostituita solo da professionisti nel campo della riparazione.

Riciclaggio

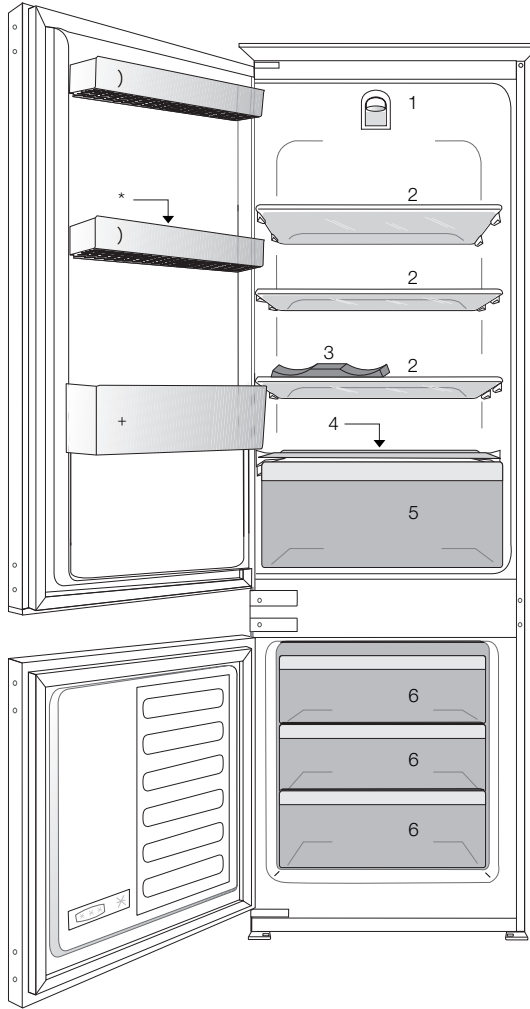


Questo prodotto riporta il simbolo di raccolta differenziata per le apparecchiature elettriche ed elettroniche di rifiuto (WEEE).

Ciò significa che il prodotto deve essere gestito in conformità alla direttiva europea 2012/19/EU in modo che durante il riciclaggio e lo smontaggio sia ridotto al minimo l'impatto sull'ambiente. Per ulteriori informazioni contattare le autorità locali o regionali.

I prodotti elettronici non inclusi nel processo di raccolta differenziata sono potenzialmente pericolosi per l'ambiente e la salute umana a causa della presenza di sostanze pericolose.

1 Il frigorifero



1. Manopola del termostato & Alloggiamento della lampadina
2. Mensole amovibili
3. Portabottiglie
4. Canale di raccolta dell'acqua di sbrinamento – tubo di drenaggio

5. Scomparto frutta e verdura
6. Scomparti per la conservazione di cibi congelati
7. Mensole dello sportello regolabili
8. Scomparto uova
9. Ripiano bottiglie

i Le illustrazioni contenute in questa guida sono schematiche e potrebbero non corrispondere esattamente al prodotto in uso. Se le parti in oggetto non sono incluse nel prodotto acquistato, significa che sono da intendersi per altri modelli.

2 Importanti avvertenze per la sicurezza

Prendere in esame le seguenti informazioni. Se queste informazioni non vengono rispettate, possono verificarsi lesioni personali o danni materiali. Quindi tutte le garanzie e gli impegni sull'affidabilità diventerebbero privi di validità.

I pezzi di ricambio originali verranno forniti per 10 anni, successivamente alla data di acquisto del prodotto.

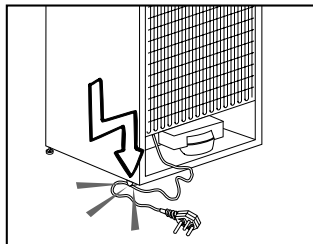
Uso previsto

- Questo apparecchio è destinato ad un uso domestico e applicazioni simili come:
 - aree destinate a cucina in negozi, uffici e altri ambienti di lavoro;
 - fattorie e da clienti in alberghi, motel e altri ambienti di tipo residenziale;
 - ambienti tipo bed and breakfast;
 - catering e simili applicazioni non commerciali.
- Non deve essere usato all'esterno. L'uso esterno non è appropriato anche se coperto da un tetto.

Sicurezza generale

- Quando si vuole smaltire/eliminare l'apparecchio, è consigliabile consultare il servizio autorizzato per apprendere le informazioni necessarie e conoscere gli enti autorizzati.
- Consultare il servizio di manutenzione autorizzato per tutti i problemi relativi al frigorifero. Non intervenire o far intervenire sul frigorifero senza informare il servizio manutenzione autorizzato.
- Non mangiare con gelati ghiacciati o cubetti di ghiaccio o gelati appena presi dal freezer! (possono provocare bruciature da freddo alla bocca). (Ciò potrebbe causare sintomi di congelamento in bocca).
- Non mettere bottiglie e lattine di bibite liquide nello scomparto del freezer. altrimenti potrebbero esplodere.
- Non toccare con le mani gli alimenti gelati; possono incollarsi ad esse.
- Il vapore e i materiali per la pulizia vaporizzati non devono mai essere usati per pulire e scongelare il frigorifero. In questo caso il vapore può entrare in contatto con le parti elettriche e provocare corto circuito o scossa elettrica.
- Non usare mai parti del frigorifero come lo sportello come mezzo di supporto o movimento.
- Non utilizzare dispositivi elettrici all'interno del frigorifero.
- Non danneggiare il circuito di raffreddamento, in cui circola il refrigerante, con utensili perforanti o taglienti. Il refrigerante può scoppiare quando i canali del gas dell'evaporatore, le estensioni dei tubi o le pellicole superficiali vengono punti e possono provocare irritazioni alla pelle e lesioni agli occhi.
- Non bloccare o coprire la ventilazione dell'elettrodomestico.
- Le riparazioni agli apparecchi elettrici devono essere eseguite solo da personale qualificato. Le riparazioni eseguite da personale non competente possono provocare danni all'utilizzatore.
- In caso di guasto o durante lavori di riparazione e manutenzione, scollegare la fornitura d'energia principale spegnendo il fusibile principale o scollegando la presa dell'apparecchio.
- Non tirare dal cavo quando si estrae la spina.
- Posizionare le bibite più alte molto vicine e in verticale.
- Non conservare sostanze esplosive come aerosol con gas propellenti infiammabili nell'apparecchio.
- Non utilizzare apparecchiature meccaniche o altri mezzi diversi da quelli consigliati dal produttore, per accelerare il processo di sbrinamento.

- Questo apparecchio non deve essere usato da persone (compresi bambini) con capacità fisiche, sensoriali o mentali ridotte, o mancanza di esperienza e conoscenza, a meno che non ricevano la supervisione o le istruzioni per l'uso dell'apparecchio da parte di una persona responsabile della loro sicurezza.
- Non utilizzare frigoriferi danneggiati. Consultare il servizio assistenza in caso di dubbi.
- La sicurezza elettrica del frigorifero è garantita unicamente se il sistema di messa a terra dell'apparecchiatura è conforme agli standard.
- L'esposizione del prodotto a pioggia, neve, sole e vento è pericolosa per la sicurezza elettrica.
- Contattare l'assistenza autorizzata quando ci sono danni ai cavi ecc., in modo che non creino pericoli per l'utente.
- Non collegare mai il frigorifero alla presa a muro durante l'installazione, per evitare il rischio di morte o lesioni gravi.
- Questo frigorifero è destinato solo alla conservazione di alimenti. Non deve essere usato per altri fini.
- L'etichetta che descrive le speci che tecniche del prodotto si trova a sinistra nella parte interna del frigorifero.
- Non collegare il frigorifero a sistemi di risparmio energetico poiché possono danneggiare l'apparecchio.
- Se il frigorifero presenta una luce blu, non guardarla usando dispositivi ottici.
- Se l'alimentazione è scollegata negli apparecchi controllati manualmente, attendere almeno 5 minuti prima di ricollegarla.
- Questo manuale deve essere trasferito al successivo proprietario del frigorifero, in caso di passaggio di proprietà.
- Quando si sposta l'apparecchio, assicurarsi di non danneggiare il cavo di alimentazione. Per evitare che il cavo di alimentazione si incendi, evitare di torcerlo. Non mettere oggetti pesanti sul cavo di alimentazione.



- Quando il frigorifero viene collegato alla rete, non toccare la presa di alimentazione con le mani bagnate.
- Non collegare il frigorifero alla rete se la presa elettrica è allentata.
- Non far schizzare l'acqua direttamente sulle parti esterne o interne del frigorifero per ragioni di sicurezza.
- Non spruzzare materiali infiammabili come gas propano, ecc. nelle vicinanze del frigorifero, a causa del rischio di incendio ed esplosioni.
- Non mettere oggetti pieni di acqua sopra al frigorifero poiché potrebbero provocare uno shock elettrico o un incendio.
- Non sovraccaricare il frigorifero con troppi alimenti. Gli alimenti in eccesso possono cadere quando viene aperto lo sportello, causando lesioni alla persona o danneggiando il frigorifero. Non mettere oggetti sopra al frigorifero poiché potrebbero cadere quando si apre o si chiude lo sportello dell'apparecchio.
- Materiali che richiedono determinate condizioni di temperatura come vaccini, farmaci termosensibili, materiali scientifici, ecc. non devono essere tenuti in frigorifero.

- Se il frigorifero non viene usato per molto tempo, deve essere scollegato dalla rete. Un problema nell'isolamento del cavo elettrico potrebbe provocare un incendio.
- La punta della spina elettrica deve essere regolarmente pulita altrimenti potrebbe provocare un incendio.
- La punta della spina deve essere pulita regolarmente con un panno asciutto; altrimenti può provocare un incendio.
- Il frigorifero potrebbe spostarsi quando i piedini regolabili non sono posizionati in modo fermo a terra. Usando i piedini regolabili si assicura che il frigorifero sia posizionato in modo stabile sul pavimento.
- Se il frigorifero ha una maniglia sullo sportello, non tirare l'apparecchio dalla maniglia quando lo si sposta, altrimenti la maniglia potrebbe staccarsi.
- Se è necessario utilizzare l'apparecchio vicino ad un altro frigorifero o un altro freezer, la distanza tra gli apparecchi deve essere almeno 8 cm. Altrimenti si può creare condensa sulle pareti laterali che sono l'una di fronte all'altra.

Sicurezza bambini

- Se la porta ha un lucchetto, la chiave deve essere tenuta lontana dalla portata dei bambini.
- I bambini devono ricevere la supervisione necessaria ad assicurare che non giochino con l'apparecchio.

Conformità alla Direttiva RoHS:

- L'apparecchio acquistato è conforme alla Direttiva UE RoHS (2011/65/EU). Non contiene materiali pericolosi o proibiti specificati nella Direttiva.

Avvertenza HCA

Se il prodotto è dotato di un sistema di raffreddamento che contiene R600a:

Questo gas è infiammabile. Pertanto, fare attenzione a non danneggiare il sistema di raffreddamento e le tubazioni durante l'uso e il trasporto. In caso di danni, tenere il prodotto lontano da potenziali fonti di incendio che possono provocarne l'incendio e ventilare la stanza in cui si trova l'unità.

Ignorare l'avvertenza se il prodotto è dotato di un sistema di raffreddamento che contiene R134a.

Si può vedere il gas usato nella produzione del dispositivo sull'etichetta informativa che si trova nella parte interna sinistra dello stesso. Non gettare mai il prodotto nel fuoco.

Cose da fare per risparmiare energia

- Non lasciare lo sportello del frigorifero aperto per lungo tempo.
- Non inserire cibo caldo o bevande calde nell'elettrodomestico.
- Non sovraccaricare il frigorifero impedendo la circolazione dell'aria al suo interno.
- Non installare il frigorifero sotto la luce diretta del sole o nelle vicinanze di forni, lavastoviglie o radiatori.
- Porre attenzione nel conservare il cibo in contenitori chiusi.
- La quantità massima di alimenti può essere posta nello scomparto freezer del frigorifero quando il ripiano o il cassetto dello scomparto freezer sono rimossi. Il valore di consumo energetico dichiarato per il frigorifero è stato stabilito con il ripiano o il cassetto dello scomparto freezer rimossi e con la quantità massima di alimenti caricata. Non c'è rischio nell'usare un ripiano o un cassetto secondo le forme e le dimensioni degli alimenti da congelare.
- Scongelare alimenti congelati nello scomparto frigo garantisce risparmio energetico e conserva la qualità degli alimenti.

3 Installazione

⚠ Ricordarsi che il fabbricante non è responsabile della mancata osservanza delle informazioni fornite nel manuale di istruzioni.

Punti da tenere in considerazione quando si trasporta nuovamente il frigorifero

1. Deve essere svuotato prima di ogni trasporto.
2. Scaffali, accessori, cestelli ecc. devono essere fissati nel frigorifero in modo sicuro per mezzo di nastro adesivo prima di essere di nuovo imballati.
3. L'imballaggio deve essere eseguito con nastro spesso e forte e le norme di trasporto devono essere scrupolosamente seguite.

Cose da non dimenticare...

Tutti i materiali riciclati sono una fonte indispensabile per la natura e per le nostre risorse naturali.

Se si vuole contribuire al riciclaggio di materiali da imballo, è necessario rivolgersi per ulteriori informazioni alle autorità locali per l'ambiente.

Prima di utilizzare il frigorifero

Prima di avviare l'uso del frigorifero, controllare quanto segue:

1. L'interno del frigorifero è asciutto e l'aria può circolare liberamente sul retro?
2. Pulire la parte interna del frigorifero come consigliato nella sezione "Manutenzione e pulizia".

3. Collegare il frigorifero alla presa elettrica. Quando lo sportello del frigorifero viene aperto si accenderà la luce interna allo scomparto frigo.
4. Si udrà un rumore quando il compressore si avvia. I liquidi e i gas sigillati nel sistema refrigerante possono produrre dei rumori, anche se il compressore non è in funzione; questo è abbastanza normale.
5. I bordi anteriori del frigorifero possono essere tiepidi. Questo è normale. Queste zone sono progettate per essere tiepide per evitare la condensazione.

Collegamento elettrico

Collegare il frigorifero ad una presa di messa a terra protetta da un fusibile della capacità appropriata.

Importante:

- Il collegamento deve essere conforme ai regolamenti nazionali.
- Il cavo di alimentazione deve essere facilmente accessibile dopo l'installazione.
- La tensione specificata deve essere pari a quella di rete.
- **Le prolunghe e le prese multiple non devono essere usate per il collegamento.**

⚠ Un cavo di alimentazione danneggiato deve essere sostituito da un elettricista qualificato.

⚠ L'apparecchio non deve essere usato finché non viene riparato! C'è pericolo di shock elettrico!

Smaltimento del materiale di imballaggio

I materiali di imballaggio potrebbero essere dannosi per i bambini.

Tenere i materiali di imballaggio fuori dalla portata dei bambini o smaltirli classificandoli secondo le istruzioni sui rifiuti. Non smaltirli insieme ai normali rifiuti domestici.

L'imballaggio del frigorifero è prodotto con materiali riciclabili.

Smaltimento del vecchio frigorifero

Smaltimento del vecchio frigorifero senza danni per l'ambiente.

- Bisogna consultare il rivenditore autorizzato o il centro di raccolta rifiuti della propria città per quanto riguarda lo smaltimento del frigorifero.

Prima di smaltire il frigorifero, tagliare la spina elettrica e, se ci sono blocchi allo sportello, renderli inutilizzabili per proteggere i bambini da eventuali pericoli.

Posizionamento e installazione

⚠ Nel caso in cui la porta di ingresso della stanza in cui il frigorifero deve essere posizionato non è abbastanza grande per il passaggio del frigorifero, chiamare il servizio autorizzato per rimuovere le porte del frigorifero e per farlo passare attraverso la porta.

1. Installare il frigorifero in un luogo che ne permetta il facile utilizzo.
2. Tenere il frigorifero lontano da fonti di calore, luoghi umidi e luce diretta del sole.
3. Intorno al frigorifero deve esserci ventilazione appropriata per poter avere operatività efficiente.

Se il frigorifero deve essere posizionato in un recesso della parete, è necessario porlo ad almeno 5 cm di distanza dal soffitto e a 5 cm dalla parete. Se il pavimento è coperto con un tappeto, l'apparecchio deve essere sollevato di 2,5 cm dal pavimento.

4. Posizionare l'elettrodomestico solo su superfici uniformi e piane per evitare dondoli.

5. Non tenere il frigorifero in ambienti con temperature inferiori ai 10°C.

Sostituzione della lampadina interna

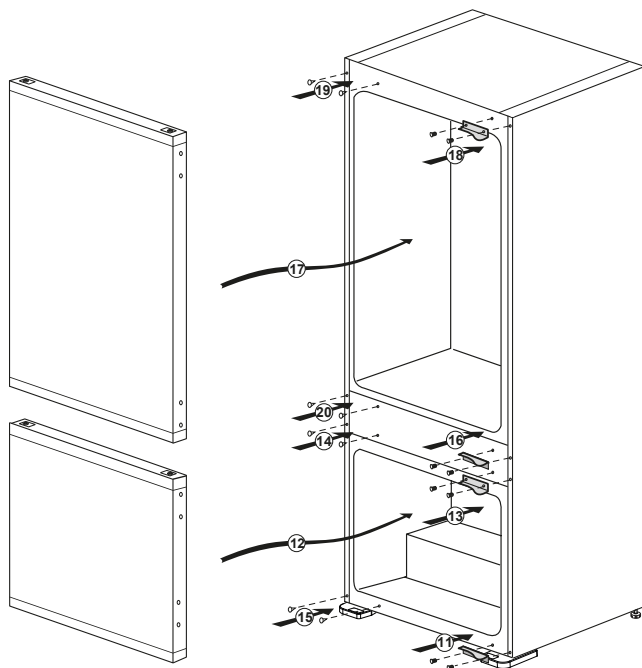
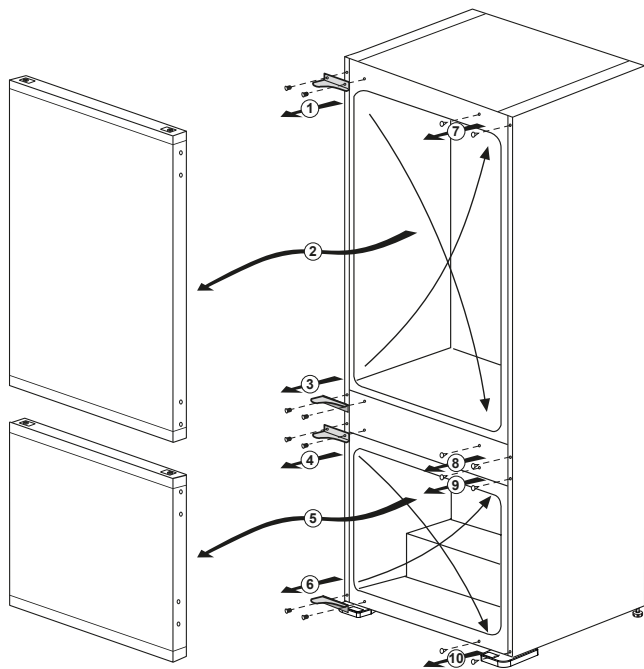
Per cambiare lampadina/LED utilizzati per illuminare il frigorifero, rivolgersi al Servizio Assistenza Autorizzato. La lampada (le lampade) usata (usate) nell'apparecchiatura non è (sono) adatta (adatte) per l'illuminazione domestica. L'obiettivo previsto per questa lampada è quello di assistere l'utente in fase di posizionamento degli alimenti all'interno del frigorifero / congelatore in modo sicuro e comodo. Le lampadine utilizzate in questo apparecchio devono sopportare condizioni fisiche estreme come temperature inferiori a -20°C.

4 Preparazione

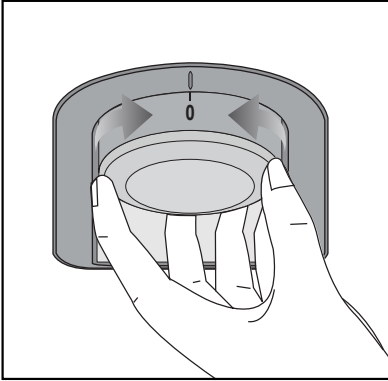
- i** Il frigorifero dovrà essere installato ad almeno 30 cm lontano da fonti di calore, come forni, riscaldamento centrale e stufe e ad almeno 5 cm da forni elettrici e non deve essere esposto alla luce diretta del sole.
- i** La temperatura ambiente della stanza in cui viene installato il frigorifero deve essere almeno 10°C. Usare il frigorifero in ambienti con temperatura inferiore non è consigliabile per motivi di efficienza.
- i** Assicurarsi che l'interno del frigorifero sia ben pulito.
- i** In caso di installazione di due frigoriferi l'uno accanto all'altro, devono esservi almeno 2 cm di distanza tra di loro.
- i** Quando il frigorifero viene messo in funzione per la prima volta, osservare le seguenti istruzioni per le prime sei ore.
 - La porta non si deve aprire frequentemente.
 - Deve funzionare vuoto senza alimenti all'interno.
 - Non staccare il frigo dalla presa di corrente. Se si verifica un calo di potenza al di là del controllo dell'utente, vedere le avvertenze nella sezione **"Soluzioni consigliate per i problemi"**.
- i** Conservare i materiali originali di imballaggio per futuri trasporti o spostamenti.

Inversione degli sportelli

Procedere in ordine numerico.



5 Utilizzo del frigorifero



Tasto di impostazione termostato

La temperatura interna del frigorifero cambia per le seguenti cause:

- Temperature stagionali.
- Apertura frequente dello sportello e sportello lasciato aperto per lunghi periodi.
- Alimenti messi nel frigorifero senza lasciarli prima raffreddare a temperatura ambiente.
- Posizionamento del frigorifero nella stanza (per esempio, esposizione alla luce solare).
- Qualora si verificano le suddette situazioni, è possibile adattare la temperatura interna del frigorifero utilizzando il termostato. I numeri riportati intorno al tasto indicano i gradi di raffreddamento.
- Se la temperatura ambiente è superiore ai 32°C, ruotare il tasto del termostato fino al punto massimo.
- Se la temperatura ambiente è inferiore ai 25°C, ruotare il tasto del termostato fino al punto minimo.

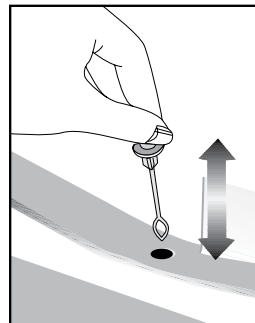
Sbrinamento

A) Scomparto frigo

Lo scomparto frigo effettua l'operazione di sbrinamento in modo totalmente automatico.

È possibile che durante la fase di sbrinamento del frigo si formi uno strato di brina fino a 7-8 mm sulla parete posteriore dello scomparto frigo. Tale fenomeno è una normale conseguenza del sistema di raffreddamento. La brina viene eliminata mediante uno sbrinamento automatico a intervalli, grazie al sistema di sbrinamento automatico posto sulla parete posteriore. Non è pertanto necessario raschiare la brina o rimuovere le gocce d'acqua. L'acqua che viene prodotta dallo sbrinamento passa per la scanalatura di raccolta dell'acqua e fluisce nell'evaporatore attraverso il tubo di scarico e da lì evapora.

Controllare regolarmente per vedere se il tubo di evaporazione è bloccato meno, e pulirlo con il bastoncino nel foro, quando necessario.



B) Scomparto freezer

Lo scomparto del surgelatore non effettua operazioni di sbrinamento automatico per evitare di compromettere l'integrità dei cibi congelati.

Lo sbrinamento è diretto e senza problemi, grazie a un bacino speciale di raccolta per lo sbrinamento. Sbrinare due volte all'anno o quando si crea uno spessore di ghiaccio di circa 7 mm (1/4"). Per avviare la procedura di sbrinamento, spegnere l'elettrodomestico sulla presa e scollegare il cavo di alimentazione. Tutto il cibo deve essere incartato in diversi strati di carta di giornale e conservato in un luogo fresco (ad esempio un frigorifero o una dispensa). È possibile porre con attenzione contenitori di acqua calda nel freezer per accelerare lo sbrinamento.

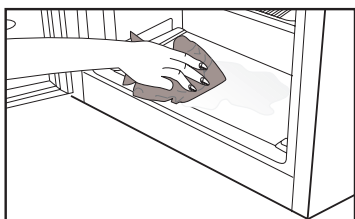
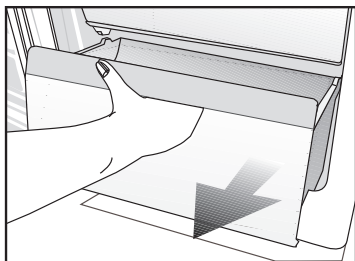
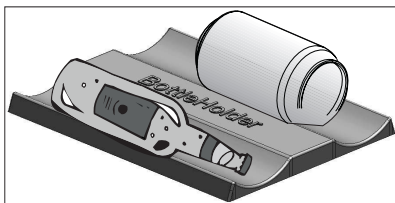
Non utilizzare oggetti appuntiti come coltelli o forchette per rimuovere il ghiaccio.

Non utilizzare mai asciugacapelli, stufe o altri elettrodomestici simili per lo sbrinamento.

Pulire via l'acqua di sbrinamento raccolta nella parte inferiore dello scomparto freezer. Dopo lo sbrinamento, asciugare completamente l'interno. Inserire la spina nella presa a muro e accendere l'alimentazione elettrica.

Portabottiglie

Questo accessorio può essere usato per conservare bottiglie e lattine una di fianco all'altra.



6 Manutenzione e pulizia

- ⚠ Non usare mai gasolio, benzene o sostanze simili per scopi di pulizia.
- ⚠ È consigliato scollegare l'apparecchio prima della pulizia.
- ⚠ Non utilizzare mai attrezzi appuntiti o sostanze abrasive, saponi, detergenti per la casa o cere per la pulizia.
- ℹ Utilizzare acqua tiepida per pulire l'alloggiamento del frigorifero e asciugarlo.
- ℹ Utilizzare un panno umido intriso di una soluzione composta da un cucchiaino di bicarbonato di soda e da circa mezzo litro di acqua e pulire l'interno, quindi asciugare.
- ⚠ Assicurarsi che l'acqua non penetri nel quadro di comando della temperatura.
- ⚠ Se il frigorifero non viene usato per un lungo periodo di tempo, scollegare il cavo di alimentazione, rimuovere tutti gli alimenti dal suo interno, pulirlo e lasciare lo sportello aperto.
- ℹ Controllare le guarnizioni della porta periodicamente per garantire che siano pulite e che non siano presenti particelle di cibo.
- ⚠ Per rimuovere il vassoio dello sportello, rimuovere tutto il contenuto e spingere semplicemente il vassoio verso l'alto.

Protezione delle superfici di plastica

- ℹ Non inserire oli liquidi o piatti cotti in olio nel frigorifero se in contenitori non sigillati poiché questi possono danneggiare le superfici in plastica del frigorifero. In caso di fuoriuscita di olio sulle superfici in plastica, pulire e asciugare le parti della superfici con acqua tiepida.

7 Soluzioni consigliate per i problemi

Prima di chiamare il servizio assistenza, rivedere la lista precedente. Si risparmierà tempo e denaro. Questa lista comprende frequenti reclami che non derivano da difetti di lavorazione o dai materiali utilizzati. Alcune delle funzioni descritte qui potrebbero non esistere nel proprio prodotto.

Il frigorifero non funziona.

- Il frigorifero è correttamente collegato alla corrente? Inserire la spina nella presa a muro.
- Il fusibile della presa a cui è collegato il frigorifero è funzionante o il fusibile principale è saltato? Controllare il fusibile.

Condensa sulla parete laterale dello scomparto frigo (MULTIZONE, COOL CONTROL e FLEXI ZONE).

- Ambiente in condizioni molto fredde. Apertura e chiusura frequente della porta
- Ambiente in condizioni molto umide Conservazione del cibo contenente liquidi in contenitori aperti. Porta lasciata aperta. Portare il termostato a temperatura inferiore.
- Diminuire il tempo di apertura della porta o aprirla meno frequentemente.
- Coprire il cibo contenuto in contenitori aperti con materiale adatto.
- Asciugare la condensa con un panno asciutto e controllare se continua.

Il compressore non funziona.

- La protezione termica del compressore è inattiva in caso di mancanza di corrente o di mancato collegamento alla presa, se il sistema refrigerante non è ancora stato regolato. Il frigorifero comincerà a funzionare dopo circa 6 minuti. Chiamare il servizio assistenza se il frigorifero non inizia a funzionare al termine di questo periodo.
- Il frigorifero è nel ciclo di sbrinamento. Si tratta di una cosa per un frigorifero con sbrinamento completamente automatico. Il ciclo di sbrinamento si verifica periodicamente.
- L'elettrodomestico non è collegato alla presa. Accertarsi che la spina sia inserita in modo corretto nella presa.
- Le regolazioni di temperatura sono eseguite correttamente?
- Potrebbe esserci un'assenza di corrente.

Il freezer funziona frequentemente o per lunghi periodi.

- Il nuovo frigorifero è più grande del precedente. Ciò è abbastanza normale. I grandi frigoriferi lavorano per lunghi periodi di tempo.
- La temperatura ambiente può essere alta. Ciò è abbastanza normale.
- Il frigorifero è stato collegato alla presa di recente o è stato riempito di cibo. Lo sbrinatorio completo del frigorifero può durare un paio d'ore.
- Grandi quantità di cibo caldo sono state recentemente inserite. I cibi caldi devono essere raffreddati fino alla temperatura ambiente prima di essere riposti nel frigorifero.
- La porta del freezer rimane aperta per un lungo periodo o le porte sono state aperte di frequente. L'aria tiepida entrata nel frigorifero ne provoca il funzionamento per un periodo più lungo. Aprire le porte meno frequentemente.
- La porta del frigorifero o del freezer è stata lasciata aperta. La/e porta/e non si chiude/chiodono.
- Il frigo è regolato a temperatura molto bassa. Regolare la temperatura del frigorifero ad un livello più alto e attendere fino a che la stessa sia acquisita.
- La chiusura della porta del frigorifero o del freezer può essere usurata, rotta o non inserita in modo appropriato. Pulire o sostituire la guarnizione. Guarnizioni rotte o danneggiate provocano il funzionamento del frigo per periodi più lunghi per mantenere la temperatura corrente.

La temperatura ambiente è molto bassa mentre la temperatura del frigorifero è sufficiente.

- Il frigo è regolato a temperatura molto bassa. Regolare la temperatura ad un livello più alto e controllare.

La temperatura ambiente è molto bassa mentre la temperatura del freezer è sufficiente.

- Il frigorifero potrebbe essere stato regolato a temperatura molto bassa. Regolare la temperatura ad un livello più alto e controllare.

Il cibo che è nei cassetti dello scomparto frigo si sta congelando.

- Il frigorifero potrebbe essere stato regolato a temperatura molto bassa. Regolare la temperatura ad un livello più alto e controllare.

La temperatura del frigo o freezer è molto alta.
<ul style="list-style-type: none"> • Il frigorifero potrebbe essere stato regolato a temperatura molto alta. La regolazione del frigorifero provoca effetti sulla temperatura del freezer. Cambiare la temperatura di frigo o freezer fino a che essa non raggiunge un livello sufficiente. • La porta del freezer rimane aperta per un lungo periodo o le porte sono state aperte di frequente; aprire con minore frequenza. • La porta potrebbe essere rimasta aperta; chiudere la porta completamente. • Grandi quantità di cibo caldo sono state recentemente inserite. Attendere fino a che il frigorifero o freezer non raggiungono la temperatura desiderata. • Il frigorifero è stato collegato alla presa di recente. Lo sbrinamento completo del frigorifero ha bisogno di tempo.
Il rumore aumenta quando il frigorifero sta lavorando.
<ul style="list-style-type: none"> • La performance operativa del frigorifero può cambiare secondo i cambiamenti della temperatura ambiente. Si tratta di una cosa normale e non di un guasto.
Vibrazioni o rumore.
<ul style="list-style-type: none"> • Il pavimento non è orizzontale o è debole. Il frigorifero ondeggia quando si sposta lentamente. Accertarsi che il pavimento sia in piano e forte abbastanza da sopportare il frigorifero. • Il rumore potrebbe essere provocato dagli oggetti nel frigorifero. Bisogna rimuovere gli oggetti sopra al frigorifero.
Ci sono rumori che provengono dal frigorifero come gocciolamenti o spruzzo di liquidi.
<ul style="list-style-type: none"> • Il flusso di liquido e gas si verifica secondo i principi operativi del frigorifero. Si tratta di una cosa normale e non di un guasto.
C'è un rumore come vento che soffia.
<ul style="list-style-type: none"> • Le ventole sono usate per raffreddare il frigorifero. Si tratta di una cosa normale e non di un guasto.
Condensa sulla parete interna del frigorifero.
<ul style="list-style-type: none"> • Il clima caldo/umido aumenta il ghiaccio e la condensa. Si tratta di una cosa normale e non di un guasto. • Le porte potrebbero essere state lasciate aperte; assicurarsi che sono completamente chiuse. • La porta del freezer rimane aperta per un lungo periodo o le porte sono state aperte di frequente; aprire con minore frequenza.
Umidità al di fuori del frigorifero o tra le porte.
<ul style="list-style-type: none"> • Potrebbe esserci umidità nell'aria; questo è normale nei climi umidi. Al diminuire dell'umidità, la condensa scompare.
Odore cattivo dentro al frigorifero.
<ul style="list-style-type: none"> • L'interno del frigorifero deve essere pulito. Pulire l'interno con una spugna, acqua tiepida o carbonata. • Alcuni contenitori o alcuni materiali per la confezione possono provocare odori. Usare contenitori diversi o marche diverse.
La porta non è chiusa.
<ul style="list-style-type: none"> • Il cibo impedisce la chiusura della porta. Sostituire le confezioni che ostruiscono la porta. • Il frigorifero non è completamente verticale sul pavimento e rotola quando è spostato leggermente. Regolare le viti di elevazione. • Il pavimento non è orizzontale o forte. Accertarsi che il pavimento sia in piano, forte e in grado di sopportare il frigorifero.
Gli scomparti frutta e verdura sono bloccati.
<ul style="list-style-type: none"> • Il cibo potrebbe toccare il tetto del cassetto. Risistemare il cibo nel cassetto.

Veillez d'abord lire la notice d'utilisation !

Chère cliente, cher client,

Nous espérons que votre produit, qui a été fabriqué dans des usines modernes et vérifié au terme des procédures de contrôle de qualité les plus méticuleuses, vous aidera efficacement.

Pour cette raison, nous vous conseillons de lire attentivement tout le manuel d'utilisation de votre produit avant de vous en servir, et de le conserver ensuite pour une utilisation ultérieure.


Le présent manuel

- Vous aidera à utiliser votre produit avec rapidité et sécurité.
- Lisez le manuel avant d'installer et de faire fonctionner votre produit.
- Respectez les instructions, notamment celles relatives à la sécurité.
- Conservez ce manuel dans un endroit facilement accessible car vous pouvez en avoir besoin ultérieurement.
- En plus, lisez également les autres documents fournis avec votre produit.
- Veuillez noter que ce manuel peut également être valide pour d'autres modèles.

Symboles et descriptions

Vous retrouverez les symboles suivants dans le présent manuel:

 Informations importantes ou astuces.

 Avertissement relatif aux conditions dangereuses pour la vie et la propriété.

 Avertissement relatif à la tension électrique.



ATTENTION!

Pour assurer un fonctionnement normal de votre appareil qui utilise un agent frigorigère écologique, R600a (inflammable seulement sous certaines conditions) vous devez respecter les règles suivantes:

- N'empêchez pas la libre circulation de l'air autour de l'appareil.
- N'utilisez pas des dispositifs mécaniques pour accélérer le dégivrage, autres que ceux recommandés par le fabricant.
- Ne détruisez pas le circuit frigorigère.
- N'utilisez pas des appareils électriques à l'intérieur du compartiment pour conserver les aliments, hormis celles qui sont éventuellement recommandés par le fabricant.

INFORMATIONS



ENERGY



SUPPLIER'S NAME

MODEL IDENTIFIER (*)

A

A

Vous pouvez accéder aux informations relatives au modèle telles que sauvegardées dans la base de données des produits en entrant le site internet suivant et en recherchant l'identifiant de votre modèle (*) qui se trouve sur la vignette énergie

<https://eprel.ec.europa.eu/>

Table des matières

1 Votre réfrigérateur 3

2 Précautions importantes pour votre sécurité 4

Utilisation prévue	4
Sécurité générale.....	4
Sécurité enfants.....	6
Conformité avec la directive LdSD:	6
Avertissement sur l'usage des fluides frigorigènes	6
Mesures d'économie d'énergie.....	6

3 Installation 7

Points à prendre en compte lorsque vous transportez à nouveau votre produit.....	7
Avant de faire fonctionner votre réfrigérateur	7
Branchement électrique	7
Mise au rebut de l'emballage	8
Mise au rebut de votre ancien réfrigérateur	8
Disposition et Installation	8
Remplacement de l'ampoule intérieure	8

4 Préparation 9

Réversibilité des portes.....	10
-------------------------------	----

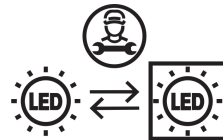
5 Utilisation de votre réfrigérateur 11

Bouton de réglage du thermostat	11
Décongélation	11
Porte-bouteille	12

6 Entretien et nettoyage 13

Protection des surfaces en plastique	13
--	----

7 Solutions recommandées aux problèmes 14



Cet appareil est doté d'une source d'éclairage de classe énergétique "G". Seuls des réparateurs qualifiés sont autorisés à procéder au remplacement de la source d'éclairage de cet appareil.

FR
Cet appareil et ses accessoires se recyclent

REPRISE À LA LIVRAISON
OU

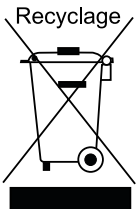
À DÉPOSER EN MAGASIN
OU

À DÉPOSER EN DÉCHÈTERIE

Points de collecte sur www.quefairede mesdechets.fr
Privilégiez la réparation ou le don de votre appareil !

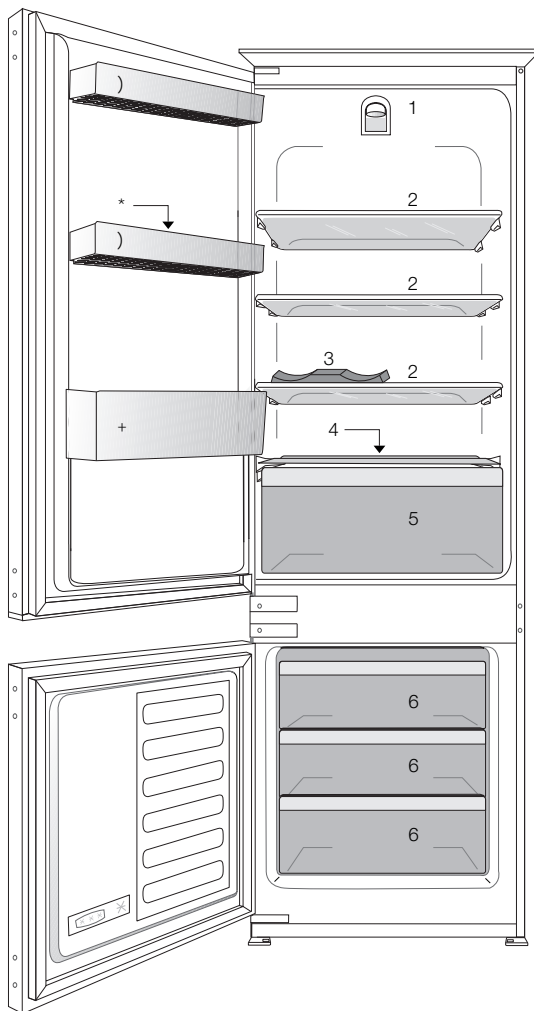
FR
ÉLÉMENTS PAPIER

BAC DE TRI



Recyclage
Ce produit est marqué du symbole du tri sélectif, relatif aux déchets d'équipements électriques et électroniques. Cela signifie que ce produit doit être pris en charge par un système de collecte sélectif conformément à la directive européenne 2012/19/EU, afin de pouvoir être recyclé ou démantelé dans le but de réduire tout impact sur l'environnement. Attention les produits électroniques n'ayant pas fait l'objet d'un tri sélectif sont potentiellement dangereux pour l'environnement et la santé humaine en raison de la présence potentielle de substances dangereuses.

1 Votre réfrigérateur



1. Manette de réglage du thermostat & Logement de l'ampoule
2. Clayettes en verre
3. Porte-bouteille
4. Canal collecteur de l'eau de dégivrage
5. Tiroir à fruit et légumes

6. Compartiments de congélation
7. Balconnets ajustables
8. Compartiment à œufs
9. Balconnet à bouteilles

i Les illustrations présentées dans cette notice d'utilisation sont schématiques et peuvent ne pas correspondre exactement à votre produit. Si des pièces présentées ne sont pas comprises dans le produit que vous avez acheté, elles sont valables pour d'autres modèles.

2 Précautions importantes pour votre sécurité

Veillez examiner les informations suivantes: Le non respect de ces consignes peut entraîner des blessures ou dommages matériels. Sinon, tout engagement lié à la garantie et à la fiabilité du produit devient invalide.

Les pièces détachées d'origine sont disponibles pendant 10 ans, à compter de la date d'achat du produit.

Utilisation prévue

Ce produit est prévu pour une utilisation:

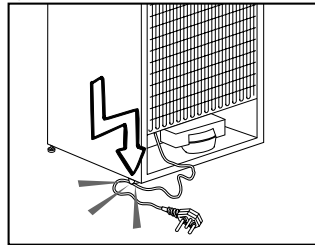
- en intérieur et dans des zones fermées telles que les maisons;
- dans les environnements de travail fermés, tels que les magasins et les bureaux;
- dans les lieux d'hébergement fermés, tels que les fermes, hôtels, pensions.
- Cet appareil ne doit pas être utilisé en extérieur.

Sécurité générale

- Avant de vous débarrasser de votre appareil, veuillez consulter les autorités locales ou votre revendeur pour connaître le mode opératoire et les organismes de collecte agréés.
- Consultez le service après-vente agréé concernant toutes questions ou problèmes relatifs au réfrigérateur. N'intervenez pas ou ne laissez personne intervenir sur le réfrigérateur sans le communiquer au service après-vente agréé.
- Pour les produits équipés d'un compartiment congélateur: ne mangez pas de cônes de crème glacée ou des glaçons immédiatement après les avoir sortis du compartiment de congélation! (Cela pourrait provoquer des engelures dans votre bouche).
- Pour les produits équipés d'un compartiment congélateur: ne placez pas de boissons en bouteille ou en cannette dans le compartiment de congélation. Cela peut entraîner leur éclatement.
- Ne touchez pas des produits congelés avec les mains, ils pourraient se coller à celles-ci.
- Débranchez votre réfrigérateur avant de le nettoyer ou de le dégivrer.
- La vapeur et des matériaux de nettoyage pulvérisés ne doivent jamais être utilisés pour les processus de nettoyage ou de dégivrage de votre réfrigérateur. La vapeur pourrait pénétrer dans les pièces électriques et provoquer des courts-circuits ou des électrocutions.
- Ne jamais utiliser les pièces de votre réfrigérateur telles que la porte, comme un support ou une marche.
- N'utilisez pas d'appareils électriques à l'intérieur du réfrigérateur.
- N'endommagez pas les pièces où circule le liquide réfrigérant avec des outils de forage ou coupants. Le liquide réfrigérant qui pourrait s'échapper si les canalisations de gaz de l'évaporateur, les rallonges de tuyau ou les revêtements de surface étaient percés, peut irriter la peau et provoquer des blessures aux yeux.
- Ne pas couvrir ou obstruer les orifices de ventilation du réfrigérateur.
- Les appareils électriques peuvent être réparés seulement par des personnes autorisées. Les réparations réalisées par des personnes ne présentant pas les compétences requises peuvent présenter un risque pour l'utilisateur.
- En cas de dysfonctionnement ou lors d'opérations d'entretien ou de réparation, débranchez l'alimentation électrique du réfrigérateur soit en désactivant le fusible correspondant, soit en débranchant l'appareil.
- Ne tirez pas sur le câble lorsque vous débranchez la prise.
- Placez les boissons alcoolisées verticalement, dans des récipients convenablement fermés.

- Ne conservez jamais des aérosols contenant des substances inflammables et explosives dans le réfrigérateur.
- N'utilisez pas d'outils mécaniques ou autres dispositifs pour accélérer le processus de décongélation autres que ceux qui sont recommandés par le fabricant.
- Cet appareil peut être utilisé par des enfants âgés d'au moins 8 ans et par des personnes ayant des capacités physiques, sensorielles ou mentales réduites ou dénuées d'expérience ou de connaissance, s'ils (si elles) sont correctement surveillés(es) ou si des instructions relatives à l'utilisation de l'appareil en toute sécurité leur ont été données et si les risques encourus ont été appréhendés. Les enfants ne doivent pas jouer avec l'appareil. Le nettoyage et l'entretien par l'utilisateur doivent pas être effectués par des enfants sans surveillance.
- Ne faites pas fonctionner un réfrigérateur endommagé. Consultez le service agréé en cas de problème.
- La sécurité électrique du réfrigérateur n'est assurée que si le système de mise à la terre de votre domicile est conforme aux normes en vigueur.
- L'exposition du produit à la pluie, la neige, au soleil ou au vent présente des risques concernant la sécurité électrique.
- Contactez le service agréé quand un câble d'alimentation est endommagé pour éviter tout danger.
- Ne branchez jamais le réfrigérateur à la prise murale au cours de l'installation. Vous vous exposeriez à un risque de mort ou à de blessures graves.
- Ce réfrigérateur est conçu seulement pour conserver des aliments. Par conséquent, il ne doit pas être utilisé à d'autres fins.
- L'étiquette avec les caractéristiques techniques est située sur le mur gauche à l'intérieur du réfrigérateur.
- Ne branchez jamais votre réfrigérateur à des systèmes d'économie d'énergie, cela peut l'endommager.

- S'il y a une lumière bleue sur le réfrigérateur, ne la regardez pas avec des outils optiques.
- Pour les réfrigérateurs contrôlés manuellement, attendez au moins 5 minutes pour allumer le réfrigérateur après une coupure de courant.
- Si cet appareil venait à changer de propriétaire, n'oubliez pas de remettre la présente notice d'utilisation au nouveau bénéficiaire.
- Évitez d'endommager le câble d'alimentation quand vous transportez le réfrigérateur. Tordre le câble peut entraîner un incendie. Ne placez jamais d'objets lourds sur le câble d'alimentation.



- Évitez de toucher à la prise avec des mains mouillées au moment de brancher l'appareil.
- Évitez de brancher le réfrigérateur lorsque la prise de courant électrique a lâché.
- Pour des raisons d'ordre sécuritaire, évitez de vaporiser directement de l'eau sur les parties externes et internes du réfrigérateur.
- Ne pulvérisez pas de substances contenant des gaz inflammables comme du propane près du réfrigérateur pour éviter tout risque d'incendie et d'explosion.
- Ne placez jamais de récipients pleins d'eau en haut du réfrigérateur, ils pourraient causer des chocs électriques ou incendie.
- Ne surchargez pas votre réfrigérateur avec des quantités de nourriture excessives. S'il est surchargé, les aliments peuvent tomber, vous blesser et endommager le réfrigérateur quand vous ouvrez la porte. Ne placez jamais d'objets au-dessus du réfrigérateur, ils pourraient tomber quand vous ouvrez ou fermez la porte du réfrigérateur.

- Les produits qui nécessitent un contrôle de température précis (vaccin, médicament sensible à la chaleur, matériels scientifiques, etc.) ne doivent pas être conservés dans le réfrigérateur.
- Si le réfrigérateur n'est pas utilisé pendant longtemps, il doit être débranché. Un problème avec le câble d'alimentation pourrait causer un incendie.
- Le bout de la prise électrique doit être nettoyé régulièrement, sinon il peut provoquer un incendie.
- Le bout de la prise électrique doit être nettoyé régulièrement à l'aide d'un chiffon sec, sinon il peut provoquer un incendie.
- Le réfrigérateur peut bouger si ses pieds réglables ne sont pas bien fixés sur le sol. Bien fixer les pieds réglables sur le sol peut empêcher le réfrigérateur de bouger.
- Quand vous transportez le réfrigérateur, ne le tenez pas par la poignée de la porte. Cela peut le casser.
- Quand vous devez placer votre produit près d'un autre réfrigérateur ou congélateur, la distance entre les appareils doit être d'au moins 8 cm. Sinon, les murs adjacents peuvent être humidifiés.

Sécurité enfants

- Si la porte a un verrouillage, la clé doit rester hors de portée des enfants.
- Les enfants doivent être surveillés et empêchés de s'amuser avec le produit.

Conformité avec la directive LdSD:

- L'appareil que vous avez acheté est conforme à la directive RoHS (2011/65/UE) de l'UE. Il ne comporte pas de matériaux dangereux et interdits mentionnés dans la Directive.

Avertissement sur l'usage des fluides frigorigènes

Si le système de refroidissement de votre appareil contient R600a:

Ce gaz est inflammable. Par conséquent, veuillez prendre garde à ne pas endommager le système de refroidissement et les tuyauteries lors de son utilisation ou de son transport.

En cas de dommages, éloignez votre produit de toute source potentielle de flammes susceptible de provoquer l'incendie de l'appareil. De même, placez le produit dans une pièce aérée.

Ne tenez pas compte de cet avertissement si le système de refroidissement de votre appareil contient R134a.

Le type de gaz utilisé dans l'appareil est mentionné sur la plaque signalétique située sur le mur gauche à l'intérieur du réfrigérateur.

Ne jetez jamais l'appareil au feu pour vous en débarrasser.

Mesures d'économie d'énergie

- Ne laissez pas les portes du réfrigérateur ouvertes pendant une durée prolongée.
- N'introduisez pas de aliments ou de boissons chaudes dans le réfrigérateur.
- Ne surchargez pas le réfrigérateur pour ne pas obstruer pas la circulation d'air à l'intérieur.
- N'installez pas le réfrigérateur à la lumière directe du soleil ou près d'appareil émettant de la chaleur tels qu'un four, un lave-vaisselle ou un radiateur.
- Veillez à conserver vos aliments dans des récipients fermés.
- Pour les produits équipés d'un compartiment congélateur: vous pouvez conserver une quantité maximale d'aliments dans le congélateur quand vous enlevez l'étagère ou le tiroir du congélateur. La consommation d'énergie précisée pour votre réfrigérateur a été déterminée en relevant l'étagère ou le tiroir du congélateur et avec la charge maximale. Il n'y a aucun risque à utiliser une étagère ou un tiroir en fonction des formes et tailles des aliments à congeler.
- La décongélation des aliments dans le compartiment réfrigérateur permet de faire des économies d'énergie et de préserver la qualité des aliments.

3 Installation

⚠ Veuillez noter que le fabricant ne pourra être tenu responsable si les informations fournies dans cette notice d'utilisation ne sont pas respectées.

Points à prendre en compte lorsque vous transportez à nouveau votre produit

1. Le réfrigérateur doit être vidé et nettoyé avant tout transport.
2. Les clayettes, accessoires, bac à légumes, etc. de votre réfrigérateur doivent être fixés solidement avec de la bande adhésive avant de remballer l'appareil, pour le protéger en cas de chocs.
3. L'emballage doit être fixé avec une bande adhésive forte et des cordes solides, et les normes de transport indiquées sur l'emballage doivent être appliquées.

Gardez à l'esprit les points suivants...

Chaque matériau recyclé est une participation indispensable à la préservation de la nature et conservation de nos ressources nationales.

Si vous souhaitez contribuer à recycler les matériaux d'emballage, vous pouvez obtenir des informations supplémentaires auprès des organismes environnementaux ou des autorités locales.

Avant de faire fonctionner votre réfrigérateur

Avant de commencer à faire fonctionner votre réfrigérateur, vérifiez les points suivants:

1. L'intérieur du réfrigérateur est sec et l'air peut circuler librement à l'arrière?
2. Nettoyez l'intérieur du réfrigérateur tel qu'indiqué dans la section « **Entretien et nettoyage** ».
3. Branchez le réfrigérateur dans la prise murale. Lorsque la porte du réfrigérateur est ouverte, l'éclairage intérieur s'allumera.
4. Vous remarquerez un bruit lorsque le compresseur se met en marche. Le liquide et les gaz intégrés au système du réfrigérateur peuvent également faire du bruit, que le compresseur soit en marche ou non. Ceci est tout à fait normal.
5. Les parties antérieures du réfrigérateur peuvent chauffer. Ce phénomène est normal. Ces zones doivent en principe être chaudes pour éviter tout risque de condensation.

Branchement électrique

Branchez votre réfrigérateur à une prise de mise à la terre protégée par un fusible ayant une capacité appropriée.

Important:

- Le branchement doit être conforme aux normes en vigueur sur le territoire national.
- La fiche de câble d'alimentation doit être facilement accessible après installation.
- La tension spécifiée doit être égale à votre tension de secteur.
- **Les rallonges et prises multivoies ne doivent pas être utilisés pour brancher l'appareil.**

⚠ Un câble d'alimentation endommagé doit être remplacé par un électricien qualifié.

⚠ L'appareil ne doit pas être mis en service avant d'être réparé ! Un risque de choc électrique existe !

Mise au rebut de l'emballage

Les matériaux d'emballage peuvent être dangereux pour les enfants. Tenez les matériaux d'emballage hors de portée des enfants ou débarrassez-vous-en conformément aux consignes sur les déchets. Ne les jetez pas aux côtés des ordures ménagères ordinaires.

L'emballage de votre appareil est produit à partir des matériaux recyclables.

Mise au rebut de votre ancien réfrigérateur

Débarrassez-vous de votre ancien réfrigérateur sans nuire à l'environnement.

- Vous pouvez consulter le service après-vente agréé ou le centre chargé de la mise au rebut dans votre municipalité pour en savoir plus sur la mise au rebut de votre produit.

Avant de procéder à la mise au rebut de votre machine, coupez la prise électrique et, le cas échéant, tout verrouillage susceptible de se trouver sur la porte. Rendez-les inopérants afin de ne pas exposer les enfants à d'éventuels dangers.

Disposition et Installation

⚠ Si la porte d'entrée de la pièce où sera installé le réfrigérateur n'est pas assez large pour laisser passer le réfrigérateur, appelez alors le service après-vente pour faire retirer les portes du réfrigérateur et le faire passer latéralement.

1. Installez le réfrigérateur dans un emplacement qui permette une utilisation pratique.
2. Maintenez le réfrigérateur éloigné de toutes sources de chaleur, des endroits humides et de la lumière directe du soleil.
3. Une ventilation d'air autour du réfrigérateur doit être aménagée pour obtenir un fonctionnement efficace. Si le réfrigérateur est placé dans un enfoncement du mur, il doit y avoir un espace d'au moins 5 cm avec le plafond et d'au moins 5 cm avec le mur. Si le sol est couvert de moquette, votre produit doit être surélevé à 2,5 cm du sol.
4. Placez le réfrigérateur sur un a de surface plane afin d'éviter les à-coups.
5. N'exposez pas le réfrigérateur à des températures ambiantes inférieures à 10°C.

Remplacement de l'ampoule intérieure

Pour remplacer la lampe LED du réfrigérateur, veuillez contacter le service après-vente agréé. La lampe (s) utilisé dans cet appareil ne convient pas pour l'éclairage de la salle de ménage. Le but visé par cette lampe est d'aider à l'utilisateur de placer les aliments dans le réfrigérateur / congélateur d'une manière sûre et confortable. Les voyants utilisés dans cet appareil doivent résister aux conditions physiques extrêmes telles que des températures inférieures à -20°C.

4 Préparation

- Votre réfrigérateur doit être installé à au moins 30 cm des sources de chaleur telles que les plaques de cuisson, les fours, appareils de chauffage ou cuisinières, et à au moins 5 cm des fours électriques. De même, il ne doit pas être exposé à la lumière directe du soleil.

- La température ambiante de la pièce où vous installez le réfrigérateur doit être d'au moins 10°C. Faire fonctionner l'appareil sous des températures inférieures n'est pas recommandé et pourrait nuire à son efficacité.

- Veuillez vous assurer que l'intérieur de votre appareil est soigneusement nettoyé.

- Si deux réfrigérateurs sont installés côte à côte, ils doivent être séparés par au moins 2 cm.

- Lorsque vous faites fonctionner le réfrigérateur pour la première fois, assurez-vous de suivre les instructions suivantes pendant les six premières heures.

- La porte ne doit pas être ouverte fréquemment.

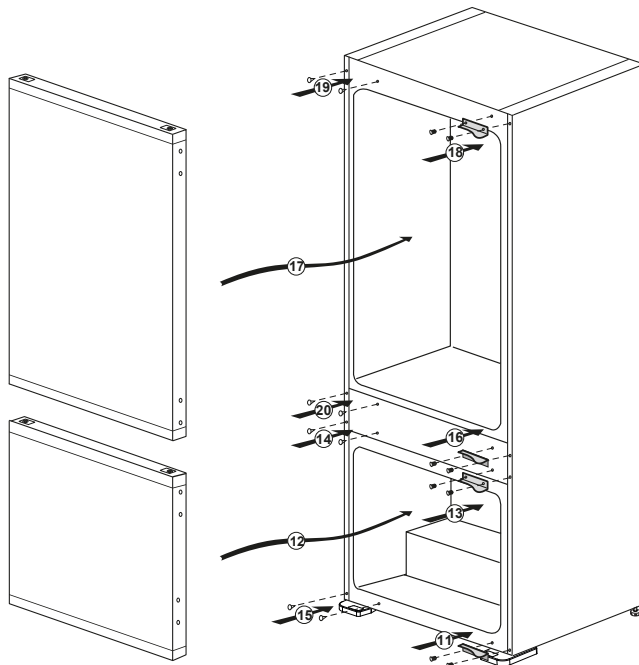
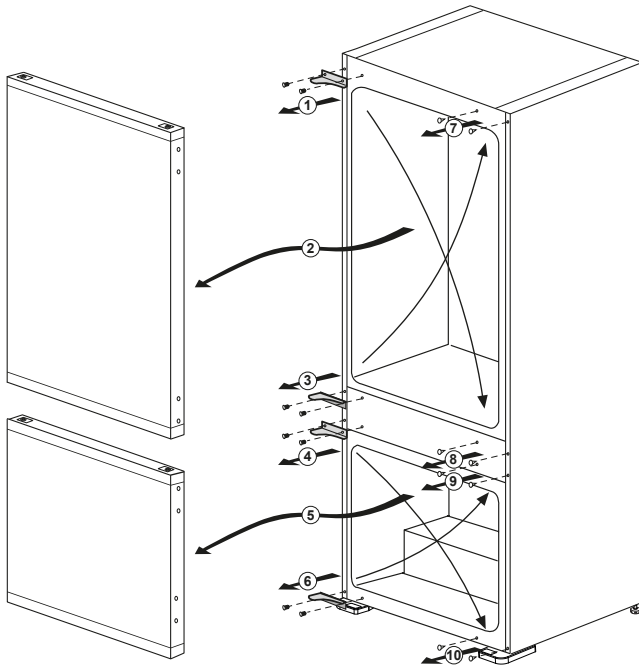
- Le réfrigérateur doit fonctionner à vide, sans aliments à l'intérieur.

- Ne débranchez pas le réfrigérateur. Si une panne de courant se produit, veuillez vous reporter aux avertissements dans la section « **Solutions recommandées aux problèmes** ».

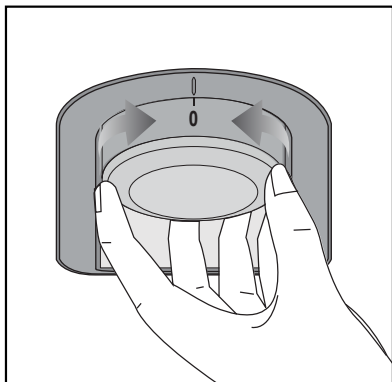
- L'emballage et les matériaux de protection d'emballage doivent être conservés pour les éventuels transports ou déplacements à venir.

Réversibilité des portes

Procédez dans l'ordre numérique.



5 Utilisation de votre réfrigérateur



Bouton de réglage du thermostat

La température intérieure de votre réfrigérateur change pour les raisons suivantes:

- Températures saisonnières.
- Ouverture fréquente de la porte et porte laissée ouverte pendant de longues périodes.
- Aliments introduites dans le réfrigérateur sans réduction à la température ambiante.
- Emplacement du réfrigérateur dans la pièce (par ex. exposition à la lumière directe du soleil).
- Vous pouvez régler les différentes températures intérieures dues à de telles raisons en utilisant le thermostat. Les numéros entourant le bouton du thermostat indiquent le niveau de refroidissement.
- Si la température ambiante est supérieure à 32°C, réglez le bouton du thermostat à la position maximale.
- Si la température ambiante est inférieure à 25°C, réglez le bouton du thermostat à la position minimale.

Décongélation

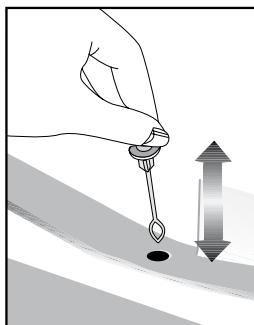
A) Compartiment réfrigérateur

Le compartiment réfrigérateur se dégivre automatiquement.

De l'eau s'écoule et une couche de givre pouvant atteindre 7-8 mm peut se former sur la paroi arrière interne du compartiment du réfrigérateur pendant le processus de refroidissement. Cette formation est normale, provoquée par le système de refroidissement. La formation de givre peut être supprimée par le dégivrage automatique qui s'active régulièrement grâce au système de dégivrage de la paroi arrière. L'utilisateur n'a pas besoin d'éliminer le givre ou les gouttes d'eau manuellement.

L'eau générée par le dégivrage s'écoule dans la rainure de collecte de l'eau et passe dans l'évaporateur par le tuyau de vidange où elle s'évapore.

Vérifiez régulièrement le tuyau de vidange pour vous assurer qu'il n'est pas obstrué et débouchez-le en introduisant un bâton dans le trou si nécessaire.



B) Compartiment congélateur

Le compartiment du surgélateur ne réalise pas de dégivrage automatique pour empêcher la détérioration des aliments congelés.

Le dégivrage est propre et très simple, grâce à un bassin spécial de récupération de l'eau de dégivrage. Dégivrez le compartiment congélateur deux fois par an ou lorsqu'une couche d'environ 7 mm de givre s'est formée.

Pour procéder au dégivrage, éteignez l'appareil et débranchez-le de la prise secteur. Enveloppez tous les aliments dans plusieurs couches de papier journal et conservez-les dans un endroit froid (un réfrigérateur ou un garde-manger par exemple).

Vous pouvez poser des conteneurs remplis d'eau chaude dans le congélateur pour accélérer le dégivrage.

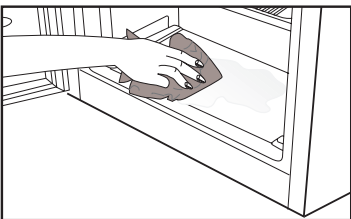
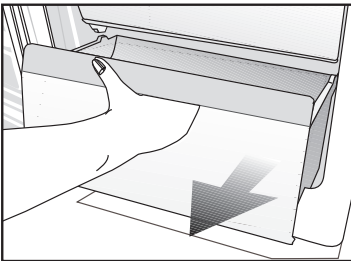
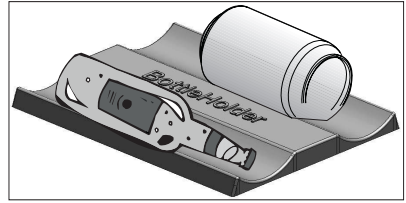
N'utilisez pas d'objets pointus ou tranchants comme un couteau ou une fourchette pour retirer le givre. N'utilisez jamais de sèche-cheveux, de réchaud électrique ou tout autre appareil électrique pour procéder au dégivrage.

Retirez l'eau de dégivrage récupérée au bas du compartiment de congélation. Le dégivrage terminé, séchez entièrement l'intérieur.

Branchez la fiche sur la prise murale et allumez l'appareil.

Porte-bouteille

Cet accessoire peut être utilisé pour stocker des bouteilles soit canettes côte à côte.



6 Entretien et nettoyage

- ⚠ N'utilisez jamais d'essence, de benzène ou de matériaux similaires pour le nettoyage.
- ⚠ Nous vous recommandons de débrancher l'appareil avant de procéder au nettoyage.
- ℹ N'utilisez jamais d'ustensiles tranchants, savon, produit de nettoyage domestique, détergent et cirage pour le nettoyage.
- ℹ Utilisez de l'eau tiède pour nettoyer la carrosserie du réfrigérateur et séchez-la soigneusement à l'aide d'un chiffon.
- ℹ Utilisez un chiffon humide imbibé d'une solution composée d'une cuillère à café de bicarbonate de soude pour un demi litre d'eau pour nettoyer l'intérieur et séchez soigneusement.
- ⚠ Prenez soin de ne pas faire couler d'eau dans le logement de la lampe et dans d'autres éléments électriques.
- ⚠ En cas de non utilisation de votre réfrigérateur pendant une période prolongée, débranchez le câble d'alimentation, sortez toutes les aliments, nettoyez-le et laissez la porte entrouverte.
- ℹ Inspectez les joints de porte régulièrement pour vérifier qu'ils sont propres et qu'il n'y a pas de particules de nourriture.
- ℹ Pour retirer les balconnets de portes, sortez tout son contenu puis poussez simplement le balconnet vers le haut à partir de la base.

Protection des surfaces en plastique

- Ne placez pas d'huiles ou de plats huileux dans le réfrigérateur dans des récipients non fermés, car les graisses peuvent endommager les surfaces en plastique du réfrigérateur. Si vous versez ou éclaboussez de l'huile sur les surfaces en plastique, nettoyez et lavez les parties souillées avec de l'eau chaude immédiatement.

7 Solutions recommandées aux problèmes

Veuillez vérifier la liste suivante avant d'appeler le service après-vente. Cela peut vous faire économiser du temps et de l'argent. Cette liste regroupe les problèmes les plus fréquents ne provenant pas d'un défaut de fabrication ou d'utilisation du matériel. Il se peut que certaines des fonctions décrites ne soient pas présentes sur votre produit.

Le réfrigérateur ne fonctionne pas.

- Le réfrigérateur est-il correctement branché ? Insérez la prise dans la prise murale.
- Est-ce que le fusible ou la douille de raccord du réfrigérateur sont connectés ou est-ce que le fusible principal a sauté ? Vérifiez le fusible.

Condensation sur la paroi intérieure du compartiment réfrigérateur. (MULTIZONE, COOL CONTROL et FLEXI ZONE).

- Température ambiante très basse. Ouvertures et fermetures fréquentes de la porte. Humidité ambiante très élevée. Conservation de aliments liquides dans des récipients ouverts. Porte laissée entrouverte. Réglez le thermostat à un niveau de froid supérieur.
- Réduisez les temps d'ouverture de la porte ou utilisez-la moins fréquemment.
- Couvrez les aliments dans des récipients ouverts à l'aide d'un matériau adapté.
- Essayez la condensation à l'aide d'un tissu sec et vérifiez si elle persiste.

Le compresseur ne fonctionne pas.

- Le dispositif de protection thermique du compresseur sautera en cas de coupures soudaines du courant ou de débranchement intempestif, en effet la pression du liquide réfrigérant du système de refroidissement ne sera pas équilibrée. Le réfrigérateur recommencera à fonctionner normalement après 6 minutes environ. Veuillez contacter le service après-vente si le réfrigérateur ne redémarre pas après cette période.
- Le réfrigérateur est en mode de dégivrage. Cela est normal pour un réfrigérateur à dégivrage semi-automatique. Le cycle de dégivrage se déclenche régulièrement.
- Le réfrigérateur n'est pas branché à la prise. Assurez-vous que la prise est branchée à la prise murale.
- Les réglages de température sont-ils corrects ?
- Il se peut qu'il y ait une panne d'électricité.

Le réfrigérateur fonctionne fréquemment ou pendant de longues périodes.

- Votre nouveau réfrigérateur est peut-être plus large que l'ancien. Ceci est tout à fait normal. Les grands réfrigérateurs fonctionnent pendant une période de temps plus longue.
- La température ambiante de la salle peut être élevée. Ceci est tout à fait normal.
- Le réfrigérateur pourrait y avoir été branché tout récemment ou pourrait avoir été chargé de aliments alimentaires. Le refroidissement complet du réfrigérateur peut durer quelques heures de plus.
- D'importantes quantités de aliments chaudes ont peut-être été introduites dans le réfrigérateur récemment. Les aliments chauds provoquent un fonctionnement prolongé du réfrigérateur avant d'atteindre le niveau de température de conservation raisonnable.
- Les portes ont peut-être été ouvertes fréquemment ou laissées entrouvertes pendant une durée prolongée. L'air chaud qui entre dans le réfrigérateur le fait fonctionner pendant de plus longues périodes. Ouvrez les portes moins souvent.
- La porte du réfrigérateur ou du congélateur ont peut-être été laissées entrouvertes. Vérifiez que les portes sont bien fermées.
- Le réfrigérateur est réglé à une température très basse. Réglez la température du réfrigérateur à un degré supérieur et attendez jusqu'à ce que la température soit bonne.
- Le joint de la porte du réfrigérateur ou du congélateur peut être sale, déchiré, rompu ou mal en place. Nettoyez ou remplacez le joint. Tout joint endommagé/déchiré fait fonctionner le réfrigérateur pendant une période de temps plus longue afin de conserver la température actuelle.

La température du congélateur est très basse alors que celle du réfrigérateur est correcte.

- La température du congélateur est réglée à une température très basse. Réglez la température du congélateur à un degré supérieur et vérifiez.

La température du réfrigérateur est très basse alors que celle du congélateur est correcte.

- Il se peut que la température du réfrigérateur a réglée à une température très basse. Réglez la température du réfrigérateur à un degré supérieur et vérifiez.

Les aliments conservés dans les tiroirs du compartiment de réfrigération congèlent.

- Il se peut que la température du réfrigérateur a réglée à une température très basse. Réglez la température du réfrigérateur à un degré supérieur et vérifiez.

La température dans le réfrigérateur ou le congélateur est très élevée.
<ul style="list-style-type: none"> • La température du réfrigérateur a peut être été réglée à un degré très élevé. Le réglage du réfrigérateur a un effet sur la température du congélateur. Modifiez la température du réfrigérateur ou du congélateur jusqu'à ce qu'elles atteignent un niveau correct. • Les portes ont peut être été ouvertes fréquemment ou laissées entrouvertes pendant une durée prolongée; ouvrez-les moins fréquemment. • La porte est peut être restée ouverte; refermez complètement la porte. • D'importantes quantités de aliments chaudes ont peut être été introduites dans le réfrigérateur récemment. Attendez que le réfrigérateur ou le congélateur atteigne la bonne température. • Le réfrigérateur y a peut être été branché récemment. Le refroidissement complet du réfrigérateur nécessite du temps.
Le niveau sonore augmente lorsque le réfrigérateur est en marche.
<ul style="list-style-type: none"> • Les caractéristiques de performance du réfrigérateur peuvent changer en raison des variations de la température ambiante. Cela est normal et n'est pas un défaut.
Vibrations ou bruits.
<ul style="list-style-type: none"> • Le sol n'est pas plat ou n'est pas solide. Le réfrigérateur oscille lorsqu'on le bouge lentement. Assurez-vous que le sol est plat et suffisamment solide pour supporter le réfrigérateur. • Les bruits peuvent être produits par les objets placés sur le réfrigérateur. Enlevez tout ce qu'il y a au-dessus du réfrigérateur.
Le réfrigérateur produit des bruits semblables à de l'eau qui coule ou à la pulvérisation d'un liquide.
<ul style="list-style-type: none"> • Des écoulements de gaz et de liquides se produisent dans le réfrigérateur, de par ses principes de fonctionnement. Cela est normal et n'est pas un défaut.
Le réfrigérateur produit des bruits semblables à du vent.
<ul style="list-style-type: none"> • Les ventilateurs sont utilisés pour refroidir le réfrigérateur. Cela est normal et n'est pas un défaut.
Condensation sur les parois intérieures du réfrigérateur.
<ul style="list-style-type: none"> • Un temps chaud et humide augmente la formation de givre et de condensation. Cela est normal et n'est pas un défaut. • La porte est peut être restée ouverte; assurez-vous que les portes sont complètement fermées. • Les portes ont peut être été ouvertes fréquemment ou laissées entrouvertes pendant une durée prolongée; ouvrez-les moins fréquemment.
De l'humidité est présente à l'extérieur ou entre les portes du réfrigérateur.
<ul style="list-style-type: none"> • Il y a peut être de l'humidité dans l'air; ceci est tout à fait normal par un temps humide. Lorsque l'humidité est faible, la condensation disparaîtra.
Présence d'une mauvaise odeur dans le réfrigérateur.
<ul style="list-style-type: none"> • L'intérieur du réfrigérateur doit être nettoyé. Nettoyez l'intérieur du réfrigérateur avec une éponge, de l'eau tiède ou de l'eau gazeuse. • Certains récipients ou matériaux d'emballage peuvent provoquer ces odeurs. Utilisez un autre récipient ou changez de marque de matériau d'emballage.
La porte ne se ferme pas.
<ul style="list-style-type: none"> • Des récipients peuvent empêcher la fermeture de la porte. Remplacez les emballages qui obstruent la porte. • Le réfrigérateur n'est pas complètement vertical et peut balancer lorsqu'on le bouge légèrement. Réglez les vis de levage. • Le sol n'est pas plat ou solide. Assurez-vous que le sol est plat et qu'il peut supporter le réfrigérateur.
Les bacs à légumes sont coincés.
<ul style="list-style-type: none"> • Il se peut que les aliments touchent le plafond du tiroir. Disposez à nouveau les aliments dans le tiroir.

