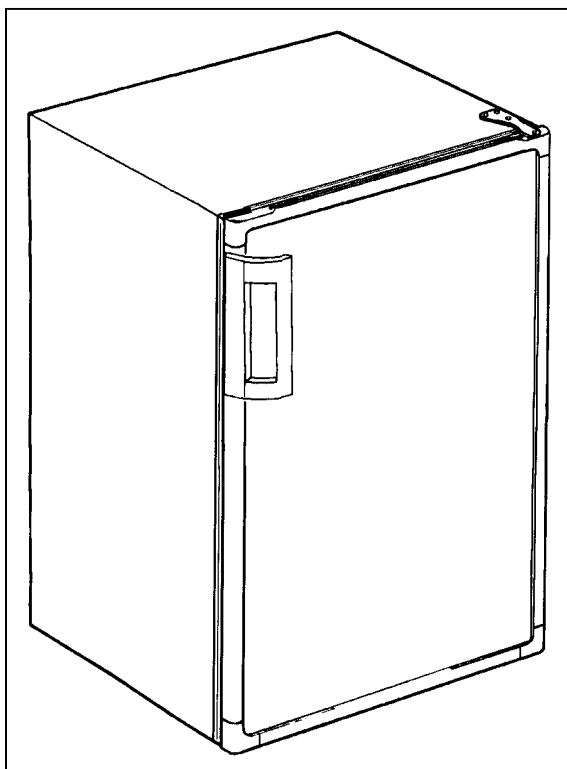




MANUAL

REFRIGERATOR

RH 303L



English

Typ C40 / 110
821 2677 -03



T.B. 07/2003

TABLE OF CONTENTS

1.0	INTRODUCTION	3
2.0	FOR YOUR SAFETY	3
2.1	Warnings and Safety Advice	3
2.2	Coolants	3
3.0	WARANTY AND CUSTOMER SERVICE	3
4.0	INSTALLATION	4
4.1	Unpacking	4
4.2	Cleaning	4
4.3	Installation	4
4.4	Connecting the Device	6
4.5	Changing the Doorhang	6
4.6	Changing the Decor panel	6
4.7	Mount the Door Handle	6
5.0	INSTRUCTION FOR USE	
5.1	Initial Operation	7
5.2	Regulating the Temperature	7
5.3	Ice Making	7
5.4	Defrosting	8
5.5	Interior Light	8
5.6	Turning off the Refrigerator	8
5.7	Enviromental Advice	9
5.8	Disposal	9
5.9	Energy Saving Tips	9
5.10	Declaration of Conformity	9
5.11	Check List	10
5.12	Technical Data	11
5.13	Wiring Diagram	11

1.0

INTRODUCTION

You have made an excellent choice by choosing the **Dometic Refrigerator**. We are convinced that you will be satisfied with your new appliance in every way. Silent in operation, the appliance fulfils high quality standards and guarantees an efficient use of resources and energy during its entire working life, i.e. during manufacturing, use and disposal.

Please study the installation and operating instructions carefully before attempting to operate the refrigerator.

2.0

FOR YOUR SAFETY

2.1

Warnings and Safety Advice

- **In the interests of children's safety:**
When disposing of the refrigerator, remove all doors and leave the shelves inside. This prevents children from being accidentally trapped or suffocated in the refrigerator.
- Never open the cooling unit - it is under high pressure.
- Never store explosive substances, such as lighter fuel, petrol, ether or similar products in the refrigerator.
- The refrigerator is not suitable for the proper storage of medications.
- The appliance must be installed in such a way that accidental contact with the cooling unit (which heats up when in use) is impossible.
- The appliance has to be connected to a properly earthed socket in line with the relevant valid country regulations.
- Servicing must only be carried out by authorised service personnel.

2.2

Coolants

Ammonia is used as a coolant.

This is a natural compound also used in household cleaning agents (1 litre of Salmiak cleaner contains up to 200g of ammonia - about twice as much as is used in the refrigerator). Sodium chromate is used for corrosion protection (less than 2% of the coolant).

If a leak occurs (which can be easily detected due to the unpleasant smell):

- Switch the device off (pull mains plug, if applicable);
- Ventilate room thoroughly.
- Inform hotel personnel.

For the safety of hotel guests and personnel, it has been established by inspectors that the coolant poses no threat to health.

3.0

WARRANTY AND CUSTOMER SERVICE

Warranty arrangements are in accordance with EC Directive 44/1999/CE and the normal conditions applicable for the country concerned. For warranty or service, please contact our customer services section. Spares can be obtained all over Europe from our relevant customer service points.

When contacting customer service, please always state model, product, MLC-Code and serial number! You can find this information on the model label inside the device.

e.g. MOD. No. PROD. No. MLC SER. No.

4.0

4.1

INSTALLATION

Unpacking

Check during unpacking that the device is defect-free.

- Report transport damage to the transport company within 48 hours.
- Check that the voltage noted on the model label corresponds to the mains voltage.

4.2

Cleaning

Before operating the refrigerator, we recommend you clean it both inside and outside.

- Use a soft cloth, lukewarm water and a mild detergent.
- Following this, wash out the refrigerator using clean water and dry thoroughly.
- At annual intervals, remove dust from fridge aggregate using a brush or soft cloth.



WARNING:

To prevent material damage:

- Do not use soap or detergents which are harsh, coarse or which contain soda.
- Keep the door seal free from oil and grease.
- The cylinder locks have been lubricated in the factory to be long-lasting.

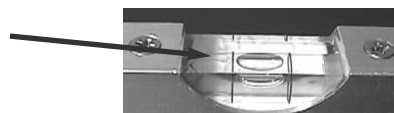
4.3

Installation

The RH303L has been especially designed for freestanding or for installation in kitchens.

Please take great care to observe the following points in order to guarantee an optimal cooling performance and low energy consumption:

- Do not place the refrigerator directly beside a heat source and do not expose it to direct sunlight.
- An unobstructed air circulation through the cooling aggregate must be ensured.
- The ventilation grid must not be covered, for example, by ornaments or items of clothing.
- The refrigerator must always be mounted horizontally.



The following illustrations (A,B,C,D) show four different ways for installing the refrigerator.

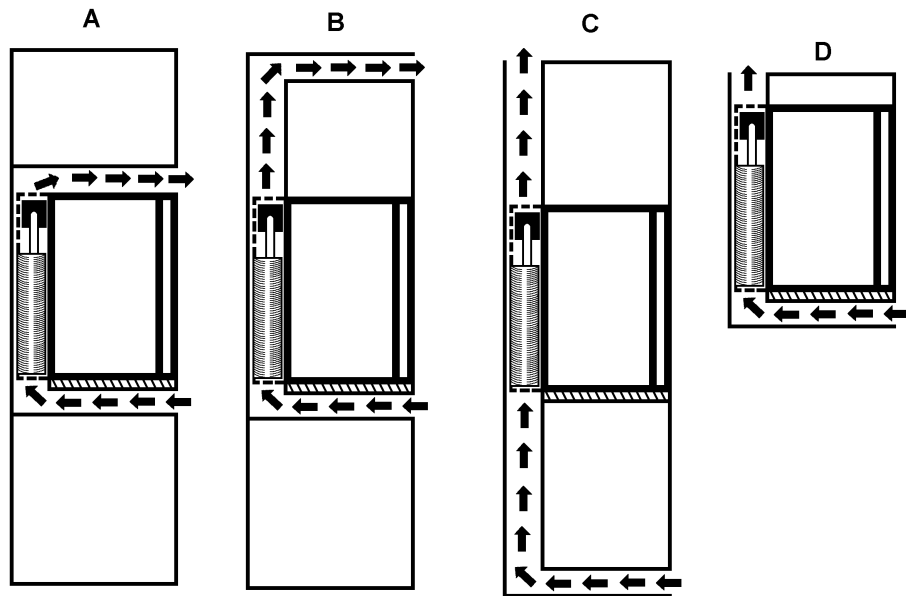
1 = ventilation grid

2 = air going in

3 = air coming out

Note: The ventilation grids (1) must have a clear cross section of at least **200cm²**.

Minimum build-in dimensions (mm):	Height	Width	Thickness
	757	529	555

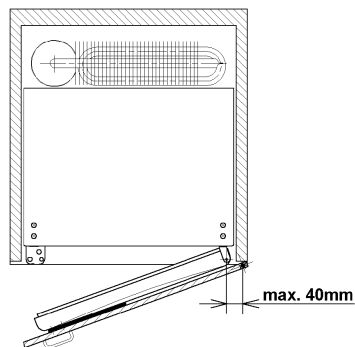


IMPORTANT:

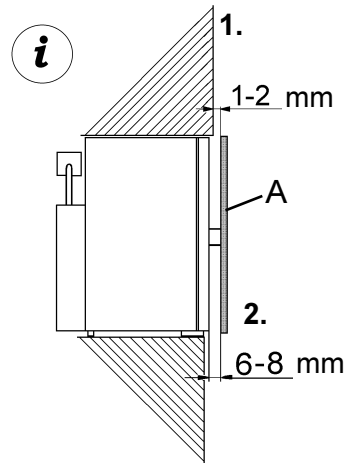
Please follow the installation details below carefully. Guarantee is valid for products installed as described only.

1. The refrigerator must be level both directions
2. There should be 20mm clearance to the wall
3. Ventilation must be provided as shown in alternatives A,B,C or D
4. The ventilation duct must at least measure 105mm x the width of the refrigerator
5. Only the entire cooling unit must project into the duct as shown
6. Air passing through the duct must not be preheated by any source of heat
7. Ventilation grills, if used, must have openings of at least 200cm² each

Alternative: Installation with sliding hinges for mounting to cupboard door.



Distance to cupboard door (A)



1. When closed, the cupboard door (A) must not lie against the rest of the surrounding cupboard area (distance 1-2mm).
2. There must be a distance of 6-8mm between the cupboard door and the refrigerator.

4.4

Connecting the Device to the Electricity Supply



- The device must be connected to a properly earthed socket in line with the relevant valid country regulations.

- Check prior to initial operation that the voltage noted on the model label corresponds to the mains voltage.
If this is not the case, do not connect the device and contact your dealer!

4.5

Changing the Doorhang

1. Remove the lower hinge pin.
2. Take off the door by moving it upwards.
3. Unscrew the upper hinge pin and mount it on the opposite side hinge.
4. Fit the door on the upper hinge pin and mount the lower hinge pin.
5. Check that the door closes properly and seals all round.
6. If the door handle is mount, fix the door handle of the opposite side

4.6

Changing the Decor Panel

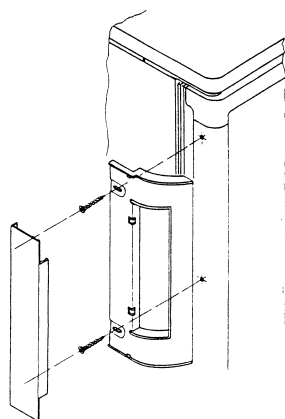
The door panel can easily be mounted or changed. The dimensions of the panel must be:

Hight	724,0 mm
Width	492,5 mm
Thicknes max.	3,2 mm

1. Remove the door, see **Changing the Doorhang**.
2. Unscrew the door strip and then withdraw the panel by sliding it downwards.
3. Fit the new panel in place and slide it up as far as possible.
4. Fit the door strip back in place.

4.7

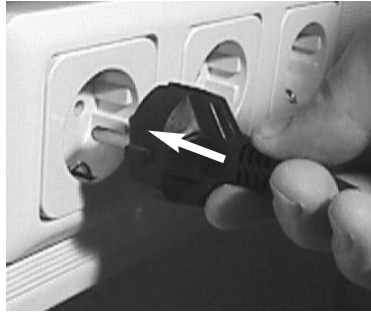
Mount the Door Handle



5.0

INSTRUCTION FOR USE

5.1



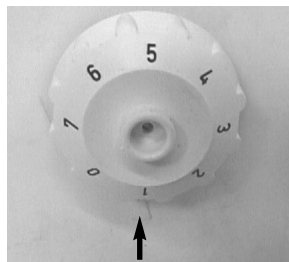
Initial Operation

- The device must be plugged into a properly earthed socket.
- The refrigerator achieves its operating temperature after several hours.



The refrigerator operates silently !

5.2



Regulating the Temperature

The refrigerator is fitted with an thermostat control. The thermostat control button is situated in the internal container's rear area.

Normally set the thermostat control button to position 3-5.

Turning the thermostat control button to a higher position e.g. "6" , causes a colder temperature in the cooling compartment.

On position "0" the refrigerator is switched off!

5.3

Ice Making


Fill the ice tray to just below the brim with drinking water and place it on the freezer shelf. For a quick "ice making" turn the thermostat control button to a higher position e.g. "7". After finishing the ice cubes turn the control button back in normally position.

5.4

Defrosting

Frost will gradually accumulate on the refrigerating surfaces. It must not be allowed to grow too thick as it acts as an insulator and adversely affects refrigerator performance. Check the formation of frost regularly every week and when it gets about 3mm thick, defrost the refrigerator.

Turn the refrigerator off (Thermostat control button "0"), remove the ice tray and all food items. Keep the refrigerator door opened.

 **Do not try to accelerate defrosting by using any kind of heating appliance, as this might damage the plastic surfaces of the refrigerator. Neither should any sharp objects be used to scrape off the ice.**

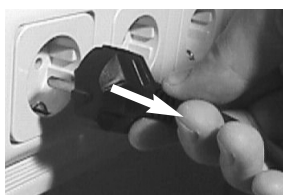
The defrost water runs from a collector channel to a receptacle at the rear of the refrigerator where it evaporates

When the ice has melted, wipe the refrigerator dry and restart it.

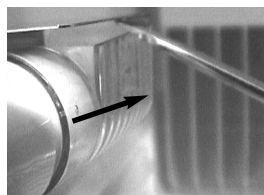
5.5

Interior Light

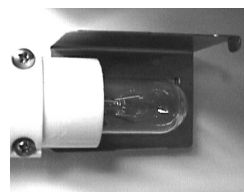
Changing light bulb:



1. Pull out the mains plug.



2. Lift the safety plate and clip reflector disk out.



3. Remove the defective bulb and put in the new one. (bulb E14, 230V, 6/10W)

To obtain spare bulbs, please contact your Dometic Service Centre.

5.6

Turning off the Refrigerator

If the refrigerator is not be used for some time:

1. Set the thermostat control button to "0"
2. Pull out the mains plug

Empty the refrigerator. Defrost and clean it as described earlier. Leave the doors of the refrigerator and the frozen food compartment ajar.

5.7

Enviromental Advice

Refrigerators manufactured by Dometic GmbH are free from CFCs and fluorinated hydrocarbons.

The cooling unit uses ammonia as the coolant (a natural compound of hydrogen and nitrogen). Cyclopentane, which does not damage the ozone layer, is used as propellant for the insulation made from PU-foam.

5.8

Disposal

In order to ensure the re-use of recyclable packaging materials, these must be disposed of using local collection systems. The device itself must be handed over to a disposal company or local council which will guarantee the correct use of recyclable materials and the proper disposal of the rest.



5.9

Energy Saving Tips

- At an average room temperature of approx. 22°C, it is sufficient to operate the refrigerator with an average thermostat setting.
- If possible, always store pre-cooled goods.
- Do not expose the refrigerator to direct sunlight and do not place it close to a source of heat.
- An unobstructed air circulation in the fridge aggregate must be ensured.
- When removing goods, only open the refrigerator briefly.
- Switch on the refrigerator approx. 12 hours prior to stocking.

5.10

Declaration of Conformity

		
DECLARATION OF CONFORMITY		
according to		
Low Voltage Directive 73/23/EEC and the Amendment to LVD 90/683/EEC EMC Directive 89/336/EEC CE Marking Directive 93/68/EEC		
Type of equipment	Absorption Refrigerator	
Brand Name	DOMETIC	
Type family	H 20/60	
Manufacturer' s (Factory) name	DOMETIC GmbH	
address	In der Steinwiese 16, D-57074 Siegen	
telephone no	INT+49 - 271 692 0	
telefax no	INT+49 - 271 692 304	
The following harmonized standards or technical specifications (designations) which comply with good engineering practice in safety matters in force within the EEA have been practiced:		
EN 60335-1 (IEC 335-1), EN 60335-2-24 (IEC 335-2-24) Low Voltage Directive EN 61000-3-2, EN 61000-3-3, EN 55014-1, EN 55014-2 EMC Directive		
The equipment conforms completely with the above stated harmonized standards or technical specifications.		
By signing this document, the undersigned declares as manufacturer, or the manufacturer's authorized representative established within the EEA, that the equipment in question complies with the requirements stated above.		
Manufacturer		
Date	Signature	Position
2002.07.01	 Gunther Bittner	General Manager

Check List

1. Problem: No cooling (the aggregate at the back of the device is cold).

Possible Cause	Self Help	Authorised Service
a.) The thermostat is set to "0".	a.) Set temperature control to middle position.	
b.) The device plug is not plugged in.	b.) Plug in device plug.	
c.) No voltage in socket.	c.) Check building fuse.	
e.) Defective heating cartridge.		e.) Install new heating cartridge.

2. Problem: No cooling (the aggregate is warm).

Possible Cause	Self Help	Authorised Service
a.) The device is not level.	a.) Level the device using a spirit level.	
b.) The device was only switched on a short while ago.	b.) Switch on the device and let it run for 5-6 hours.	
c.) Defective cooling aggregate.		c.) Check whether repair is feasible. If not, exchange device.

3. Problem: Poor Cooling Performance.

Possible Cause	Self Help	Authorised Service
a.) The cooling aggregate is not sufficiently ventilated.	a.) Check that the ventilation grids are not covered. Check that device has been installed properly (installation instruction 4.3).	
b.) The device is exposed to direct sunlight.	b.) Follow installation instruction 4.3.	
c.) The fridge door does not close tightly.	c.) Check installation in line 4.3.	c.) Is door magnet there? Install new door, if required.
d.) Light permanently on when door closed.		d.) Replace lighting sensor. Install new door, if required.
e.) The fridge was stocked a short while ago.	e.) Check fridge after 5-6 hours for proper cooling function.	

4. Problem: Frost formation in fridge.

Possible Cause	Self Help	Authorised Service
a.) The fridge door does not close tightly.	a.) Check installation is in line with 4.3.	a.) Is door magnet there? Install new door.

5.12

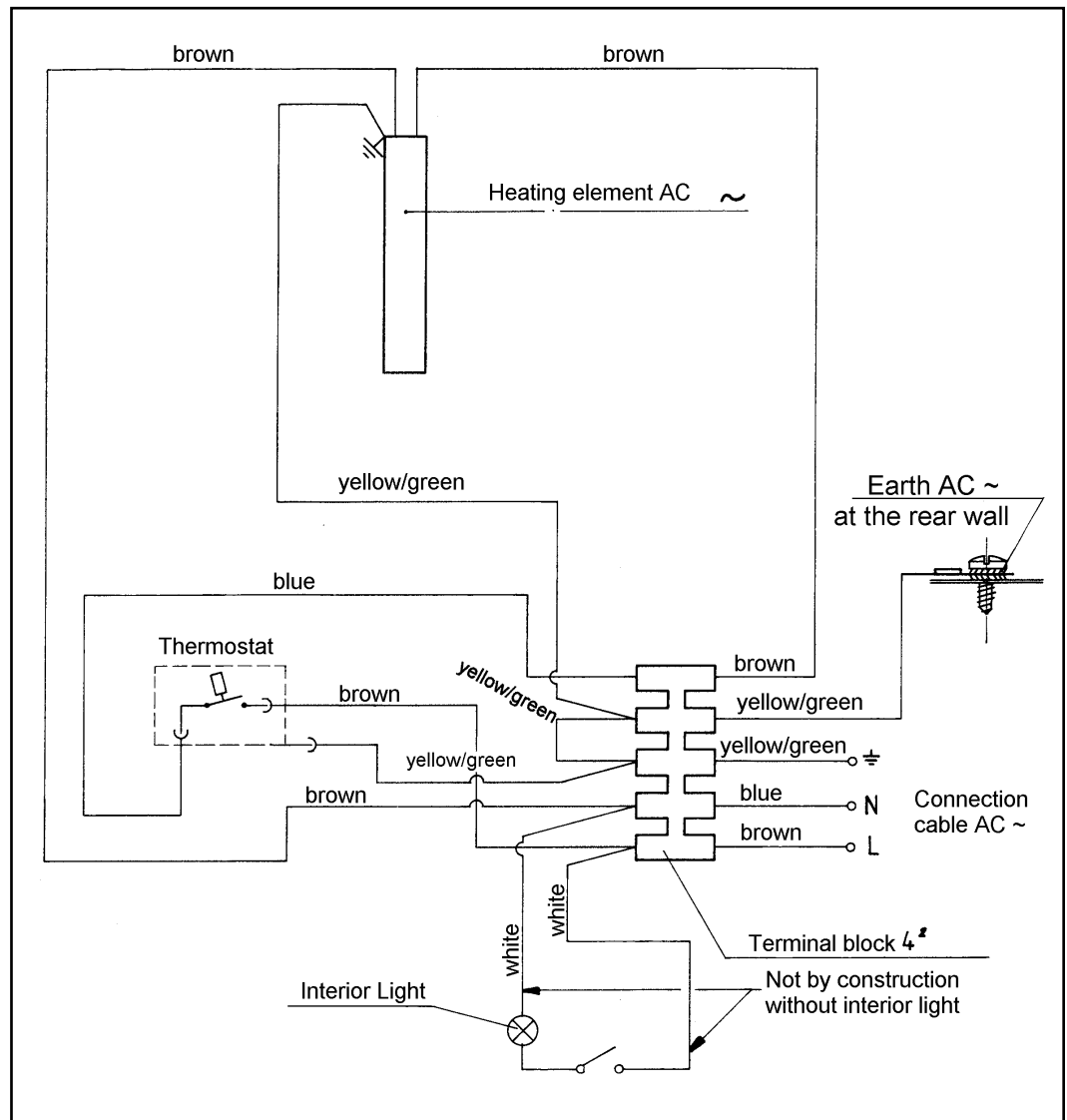
Technical Data

Model	RH 303L
	Freestanding / Built-in
Casing	Metal
Gross Ccapacity (Liter)	103
freezer compartment	12
Dimensions (mm)	
(H x W x D, without door handlef)	753 x 525 x 535
Connection mains (W)	125
Consumption	
kWh / 24h*	2,6
Netweight (kg)	31

* Power consumption measured at an average ambient temperature of 25°C as an average annual value and at a cooling compartment temperature of 7°C in line with DIN/EN153.
We reserve the right to make technical modifications to our products without notice!

5.13

Wiring Diagram





Dometic GmbH
In der Steinwiese 16
D-57074 Siegen

Tel.: +49-(0) 271 / 692 0
Fax: +49-(0) 271 / 692 300
www.dometic.de
www.dometic.com