

GNE V122 X

Refrigerator  
Chłodziarka  
Chladnička  
Chladnička

**BEKO**

## Please read this manual first!

Dear Customer,

We hope that your product, which has been produced in modern plants and checked under the most meticulous quality control procedures, will provide you an effective service.

For this, we recommend you to carefully read the entire manual of your product before using it and keep it at hand for future references.




## This manual

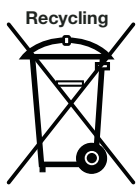
- Will help you use your appliance in a fast and safe way.
- Read the manual before installing and operating your product.
- Follow the instructions, especially those for safety.
- Keep the manual in an easily accessible place as you may need it later.
- Besides, read also the other documents provided with your product.

Please note that this manual may be valid for other models as well.

## Symbols and their descriptions

This instruction manual contains the following symbols:

-  Important information or useful usage tips.
-  Warning against dangerous conditions for life and property.
-  Warning against electric voltage.



This product is supplied with the selective sorting symbol for waste electrical and electronic equipment (WEEE).

This means that this product must be handled pursuant to European Directive 2002/96/EC in order to be recycled or dismantled to minimise its impact on the environment. For further information, please contact your local or regional authorities.

Electronic products not included in the selective sorting process are potentially dangerous for the environment and human health due to the presence of hazardous substances.

# CONTENTS

---

## **1 The refrigerator 3**

## **2 Important Safety Warnings 4**

Intended use.....	4
General safety.....	4
Child safety.....	6
HCA Warning.....	6
Things to be done for energy saving.....	6

## **3 Installation 7**

Points to be considered when re-transporting your refrigerator.....	7
Before operating your refrigerator.....	7
Electric connection.....	8
Disposing of the packaging.....	8
Disposing of your old refrigerator.....	8
Placing and Installation.....	8
Floor balance adjustment.....	9
Adjusting the gap between the upper door.....	11

## **4 Preparation 12**

## **5 Using your refrigerator 13**

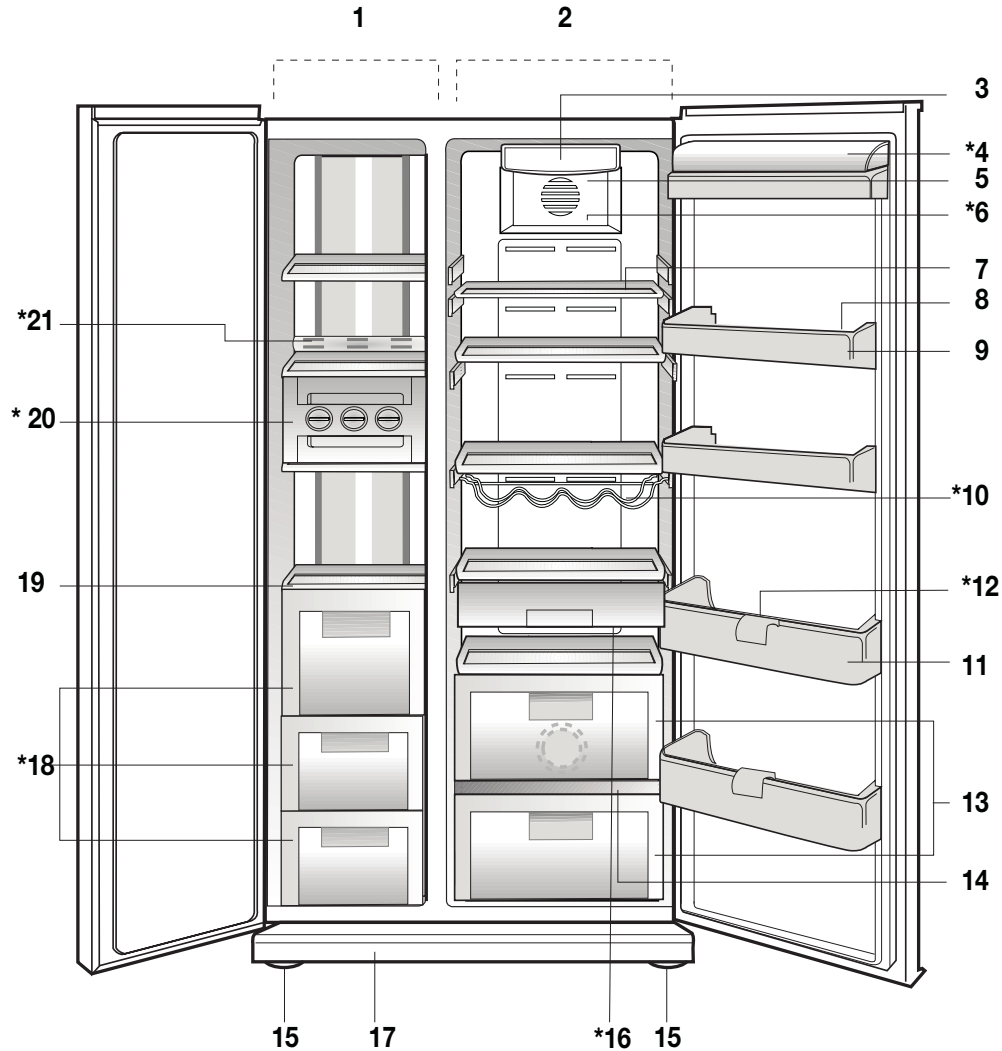
Indicator Panel.....	13
Setting the fridge compartment temperature.....	14
Setting the freezer compartment temperature.....	14
Fast Freeze function.....	14
Quick cool function.....	15
Egg tray.....	15
Sliding Body Shelves.....	15
Crisper humidity control sliders.....	16
Ion:.....	16
Recommendations for preservation of frozen food.....	17
Defrosting.....	17
Replacing the Interior Light Bulb.....	17
Chiller compartment.....	19

## **6 Maintenance and cleaning 20**

Protection of plastic surfaces.....	20
-------------------------------------	----

## **7 Recommended solutions for the problems 21**

# 1 The refrigerator



- |                                      |  |
|--------------------------------------|--|
| 1. Freezer compartment               | 12. Bottle holder                      |
| 2. Fridge compartment                | 13. Crisper compartments               |
| 3. Fridge compartment interior light | 14. Crisper cover                      |
| 4. Butter and cheese lid             | 15. Adjustable front legs              |
| 5. Fan                               | 16. Snack tray                         |
| 6. Ioniser                           | 17. Ventilation lid                    |
| 7. Fridge compartment glass shelves  | 18. Freezer compartment drawers        |
| 8. Egg tray                          | 19. Freezer Compartment glass shelves  |
| 9. Fridge compartment door racks     | 20. Icematic                           |
| 10. Wine cellar                      | 21. Freezer compartment interior light |
| 11. Bottle shelves                   | * OPTIONAL                             |

**i** Figures that take place in this instruction manual are schematic and may not correspond exactly with your product. If the subject parts are not included in the product you have purchased, then it is valid for other models.

## 2 Important Safety Warnings

---

Please review the following information. If these are not followed, personal injury or material damage may occur. Otherwise, all warranty and reliability commitments will become invalid.

The usage life of the unit you purchased is 10 years. This is the period for keeping the spare parts required for the unit to operate as described.

### Intended use

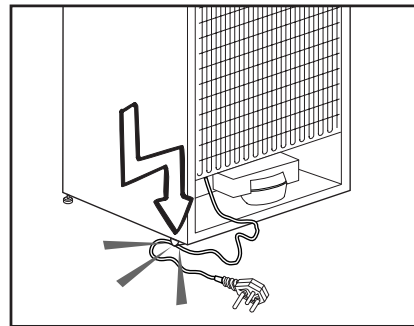
- This appliance is intended to be used in household and similar applications such as
  - staff kitchen areas in shops, offices and other working environments;
  - farm houses and by clients in hotels, motels and other residential type environments;
  - bed and breakfast type environments;
  - catering and similar non-retail applications.
- It should not be used outdoors. It is not appropriate to use it outdoor even if the place is covered with a roof.

### General safety

- When you want to dispose/scrap the product, we recommend you to consult the authorized service in order to learn the required information and authorized bodies.
- Consult your authorized service for all your questions and problems related to the refrigerator. Do not intervene or let someone intervene to the refrigerator without notifying the authorized services.
- Do not eat cone ice cream and ice cubes immediately after you take them out of the freezer compartment! (This may cause frostbite in your mouth.)

- Do not put bottled and canned liquid beverages in the freezer compartment. Otherwise, these may burst.
- Do not touch frozen food by hand; they may stick to your hand.
- Vapor and vaporized cleaning materials should never be used in cleaning and defrosting processes of your refrigerator. In such cases, the vapor might get in contact with the electrical parts and cause short circuit or electric shock.
- Never use the parts on your refrigerator such as the door as a means of support or step.
- Do not use electrical devices inside the refrigerator.
- Do not damage the cooling circuit, where the refrigerant is circulating, with drilling or cutting tools. The refrigerant that might blow out when the gas channels of the evaporator, pipe extensions or surface coatings are punctured may cause skin irritations and eye injuries.
- Do not cover or block the ventilation holes on your refrigerator with any material.
- Repairs of the electrical appliances must only be made by qualified persons. Repairs performed by incompetent persons may create a risk for the user.
- In case of any failure or during a maintenance or repair work, disconnect your refrigerator's mains supply by either turning off the relevant fuse or unplugging your appliance.
- Do not pull by the cable when pulling off the plug.

- Place the beverage with higher proofs tightly closed and vertically.
- Do not store explosive substances such as aerosol cans with a flammable propellant in this appliance.
- Do not use mechanical devices or other means to accelerate the defrosting process, others than those recommended by the manufacturer.
- This appliance is not intended for use by persons (including children) with reduced physical, sensory or mental capabilities, or lack of experience and knowledge, unless they have been given supervision or instruction concerning use of the appliance by a person responsible for their safety.
- Do not operate a damaged refrigerator. Consult your service if you have any doubts.
- Electrical safety of your refrigerator shall be guaranteed only if the earth system in your house complies with standards.
- Exposing the product to rain, snow, sun and wind is dangerous with respect to electrical safety.
- Contact the authorized service when there is a power cable damage and etc. so that it will not create a danger for you.
- Never plug the refrigerator into the wall outlet during installation. Otherwise, risk of death or serious injury may arise.
- This refrigerator is designed solely for storing food. It should not be used for any other purposes.
- The label that describes the technical specification of the product is located on the inner left part of the refrigerator.
- Do not hook up the refrigerator to electronic energy saving systems as it may damage the product.
- If the refrigerator has blue light do not look at the blue light through optical devices.
- If the power supply is disconnected in manually controlled refrigerators please wait for at least 5 minutes before reconnecting the power.
- This product manual should be passed to the next owner of the refrigerator if the owner changes.
- When moving the refrigerator make sure that you do not damage the power cord. In order to prevent fire the power cord should not be twisted. Heavy objects should not be placed on the power cord. When the refrigerator is being plugged do not handle the power outlet with wet hands.



- Do not plug the refrigerator if the electric outlet is loose.
- Do not splash water directly on the outer or inner parts of the refrigerator due to safety.
- Do not spray inflammable materials such as propane gas etc near refrigerator due to the risk of fire and explosion.
- Do not place objects filled with water on top of the refrigerator as it may result in electric shock or fire.
- Do not overload the refrigerator with excess food. The excess food may fall when the door is opened resulting in injuring you or damaging the refrigerator. Do not place objects on top of the refrigerator as the objects

may fall when opening or closing the refrigerator door.

- Materials that require certain temperature conditions such as vaccine, temperature sensitive medicines, scientific materials etc should not be kept in refrigerator.
- If refrigerator will not be operated for an extended period of time it should be unplugged. A problem in electrical cable insulation may result in fire.
- The tip of the electric plug should be cleaned regularly otherwise it may cause fire.
- The refrigerator may move when the adjustable feet is not positioned firmly on the floor. Using the adjustable feet you can unsure that the refrigerator is positioned firmly on the floor.
- If the refrigerator has door handle do not pull the refrigerator via door handles when moving the product as it may disconnect the handle from the refrigerator.
- If you must operate your appliance adjacent to another refrigerator or freezer, the distance between the appliances must be at least 8 cm. Otherwise condensation may occur on the side walls facing each other.
- Water mains pressure must not be below 1 bar. Water mains pressure must not be above 8 bars.
- Use only drinkable potable water.

### **Child safety**

- If the door has a lock, the key should be kept away from reach of children.
- Children should be supervised to ensure that they do not play with the appliance

### **HCA Warning**

**If your product is equipped with a cooling system that contains R600a:**

This gas is flammable. Therefore, pay attention to not damaging the cooling system and piping during usage and transportation. In the event of damage, keep your product away from potential fire sources that can cause the product catch a fire and ventilate the room in which the unit is placed.

**Ignore the warning if your product is equipped with a cooling system that contains R134a.**

You can see the gas used in production of your product on the rating plate that is located on the left inner part of it.

Never dispose the product in fire.

### **Things to be done for energy saving**

- Do not leave the doors of your refrigerator open for a long time.
- Do not put hot food or drinks in your refrigerator.
- Do not overload your refrigerator so that the air circulation inside of it is not prevented.
- Do not install your refrigerator under direct sunlight or near heat emitting appliances such as ovens, dishwashers or radiators.
- Pay attention to keep your food in closed containers.
- Maximum amount of food can be put in your refrigerator's freezer compartment when the freezer compartment shelf or drawer is removed. Declared energy consumption value of your refrigerator was determined when the freezer compartment shelf or drawer was removed and under maximum amount of food load. There is no risk in using a shelf or drawer according to the shapes and sizes of the foods to be frozen.



### 3 Installation

**i** Please remember that the manufacturer shall not be held liable if the information given in the instruction manual is not observed.

#### Points to be considered when re-transporting your refrigerator

1. Your refrigerator must be emptied and cleaned prior to any transportation.
2. Shelves, accessories, crisper and etc. in your refrigerator must be fastened securely by adhesive tape against any jolt before repackaging.
3. Packaging must be tied with thick tapes and strong ropes and the rules of transportation printed on the package must be followed.

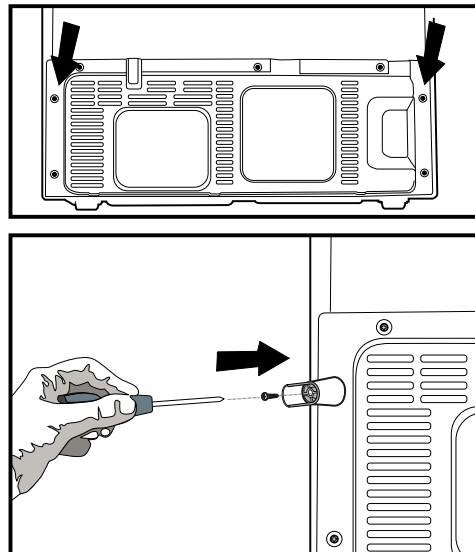
#### **i** Always remember...

Every recycled material is an indispensable source for the nature and for our national resources. If you wish to contribute to recycling the packaging materials, you can get further information from the environmental bodies or local authorities.

#### Before operating your refrigerator

Before starting to use your refrigerator check the following:

1. Is the interior of the refrigerator dry and can the air circulate freely in the rear of it?
2. Clean the interior of the refrigerator as recommended in the "Maintenance and cleaning" section.
3. Insert the 2 plastic wedges onto the rear ventilation as illustrated in the following figure. Unscrew the existing ones and use the screws given in the same bag of wedges. Plastic wedges will provide the required distance between your refrigerator and the wall in order to allow the air circulation.





4. Plug the refrigerator into the wall outlet. When the door is open the respective interior light will come on.
5. You will hear a noise as the compressor starts up. The liquid and gases sealed within the refrigeration system may also give rise to noise, even if the compressor is not running and this is quite normal.
6. Front edges of the refrigerator may feel warm. This is normal. These areas are designed to be warm to avoid condensation.

### Electric connection

Connect your refrigerator to a grounded socket which is being protected by a fuse with the appropriate capacity.

Important:

- ⚠ The connection must be in compliance with national regulations.
- ⚠ The power cable plug must be easily accessible after installation.
- ⚠ The specified voltage must be equal to your mains voltage.
- ⚠ Extension cables and multiway plugs must not be used for connection.
- ⚠ A damaged power cable must be replaced by a qualified electrician.
- ⚠ The appliance must not be operated before it is repaired! There is danger of electric shock!

### Disposing of the packaging

⚠ The packing materials may be dangerous for children. Keep the packing materials out of the reach of children or dispose them of by classifying them in accordance with the waste instructions. Do not dispose them of along with the normal household waste.

The packing of your refrigerator is produced from recyclable materials.

### Disposing of your old refrigerator

Dispose of your old machine without giving any harm to the environment.

- ⚠ You may consult your authorized dealer or waste collection center of your municipality about the disposal of your refrigerator.
- ⚠ Before disposing of your refrigerator, cut out the electric plug and, if there are any locks on the door, make them inoperable in order to protect children against any danger.

### Placing and Installation

⚠ Caution: Never plug the refrigerator into the wall outlet during installation. Otherwise, risk of death or serious injury may arise.

⚠ If the entrance door of the room where the refrigerator will be installed is not wide enough for the refrigerator to pass through, than call the authorised service to have them remove the doors of your refrigerator and pass it sideways through the door.

1. Install your refrigerator to a place that allows ease of use.
2. Keep your refrigerator away from heat sources, humid places and direct sunlight.
3. There must be appropriate air ventilation around your refrigerator in order to achieve an efficient operation. If the refrigerator is to be placed in a recess in the wall, there must be at least 5 cm distance with the ceiling and at least 5 cm with the wall. If the floor is covered with a carpet, your product must be elevated 2.5 cm from the floor.
4. Place your refrigerator on an even floor surface to prevent jolts.
5. Do not keep your refrigerator in ambient temperatures under 10°C.

## Floor balance adjustment

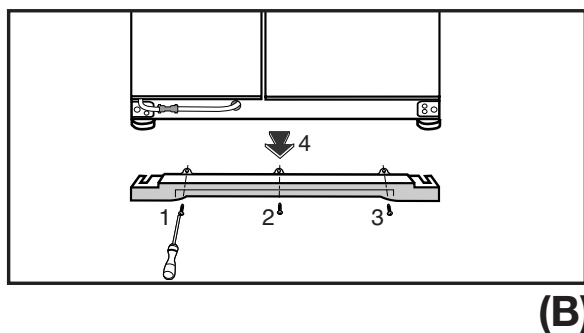
If your refrigerator is unbalanced; You can balance your refrigerator by turning the front legs of it as illustrated in the figure. (See Figure A) The corner where the leg exists is lowered when you turn in the direction of black arrow and raised when you turn in the opposite direction. Taking help from someone to slightly lift the refrigerator will facilitate this process.



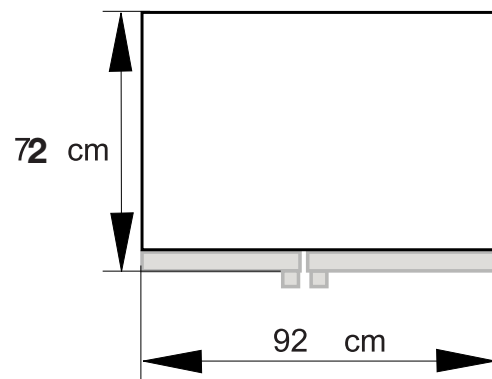
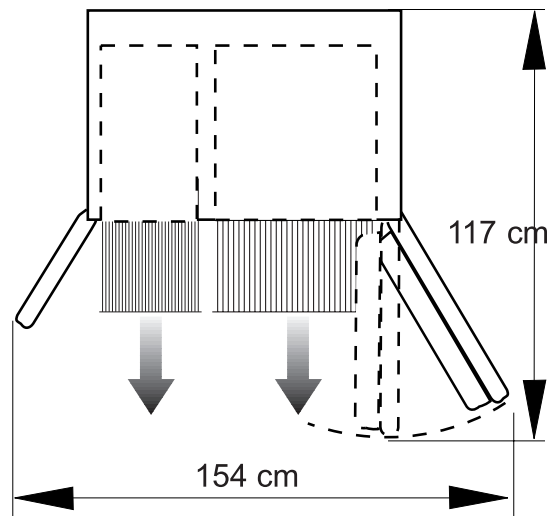
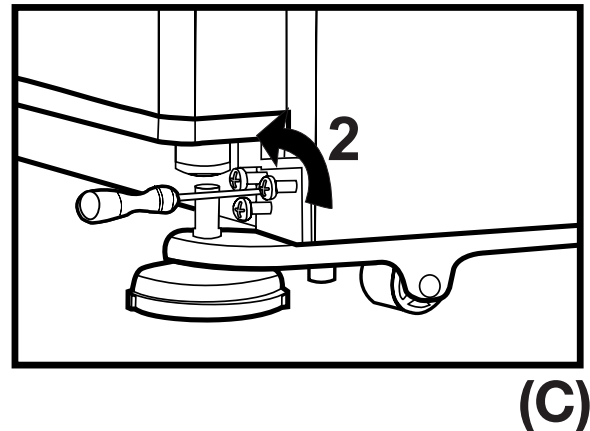
## Door height adjustment

In case there is a problem with the alignment of the doors with respect to each other, they may be re-aligned vertically in the order given below. Ensure that door shelves are empty when adjusting the door height.

1. Remove the lower ventilation cover by unscrewing its screws as shown in the figure below. (See Figure B)

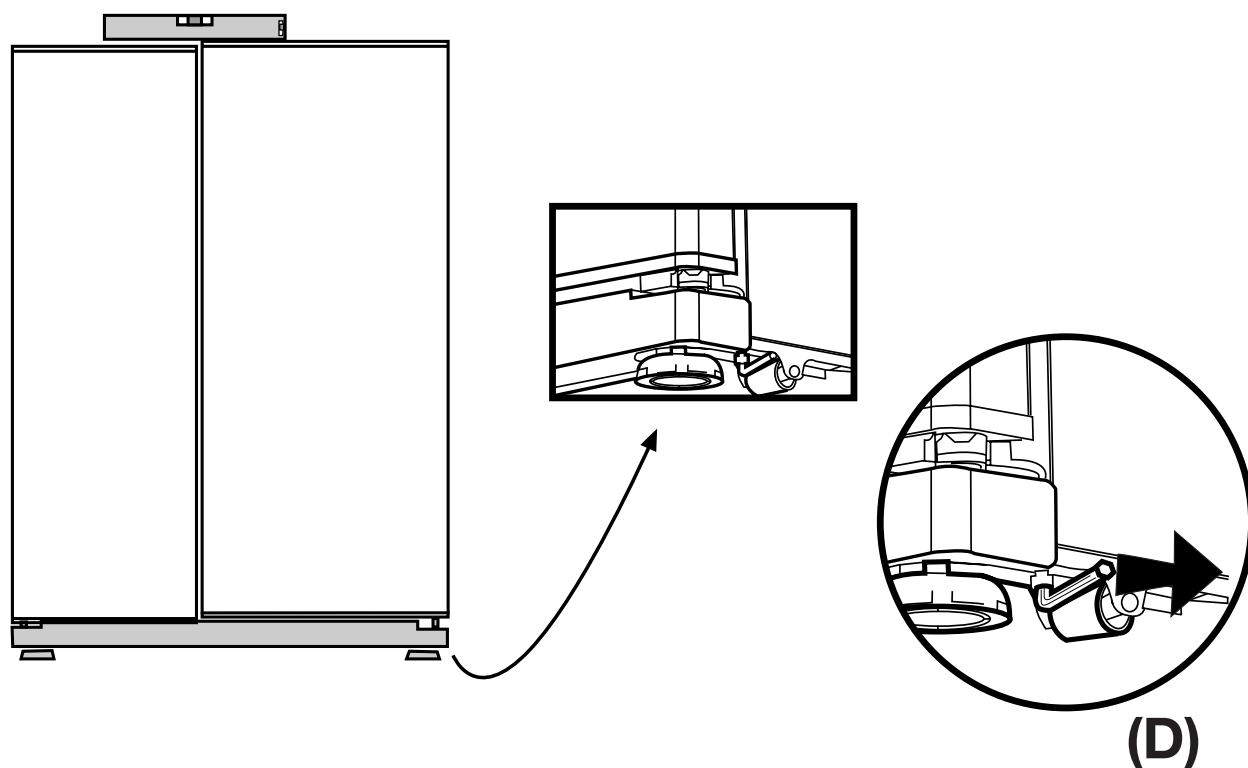


2. Loosen the three screws of the hinges of the lower door, which you wish to escalate, with the help of a screwdriver as shown in the figure below. (Do not remove completely) (See Figure C)



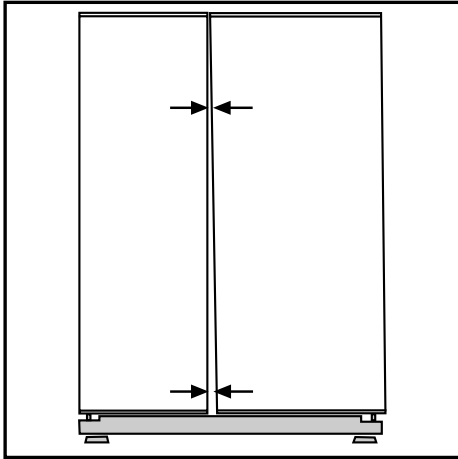
- If the freezer compartment door is lower than the fridge compartment door, bring them to the same level by turning the elevation screw on the freezer compartment side in the direction of arrow using a M6 Allen wrench as illustrated in Figure D.

- If the freezer compartment door is higher than the fridge compartment door, bring them to the same level by turning the elevation screw on the freezer compartment side in the reverse direction of arrow using a M6 Allen wrench as illustrated in Figure D. After bringing the doors to the same level by elevating the front part with the aid of the elevation screws, ensure the doors of the refrigerator shall close properly. If the doors do not close properly, this might adversely affect the efficiency of the refrigerator.

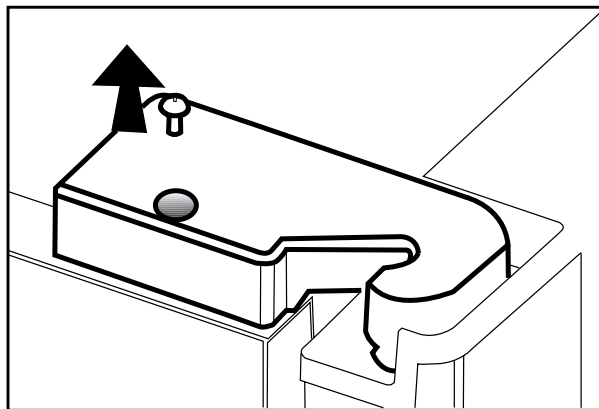


## Adjusting the gap between the upper door

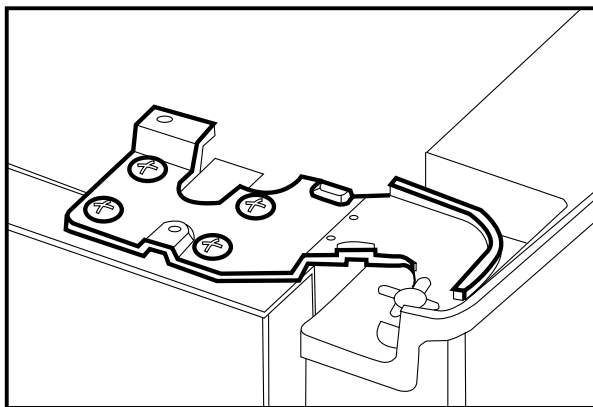
**i** You can adjust the gap between the fridge compartment doors as illustrated in the figures.



Door shelves should be empty when adjusting the door height.

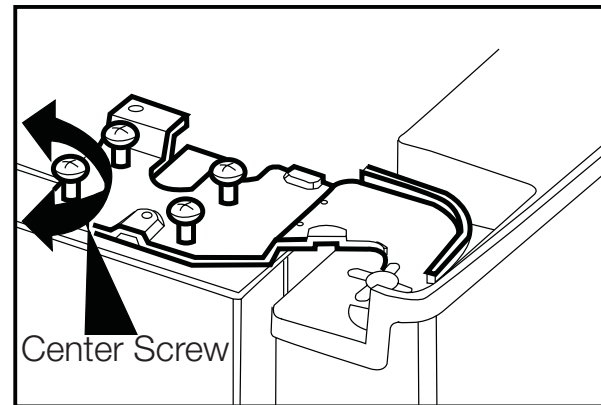
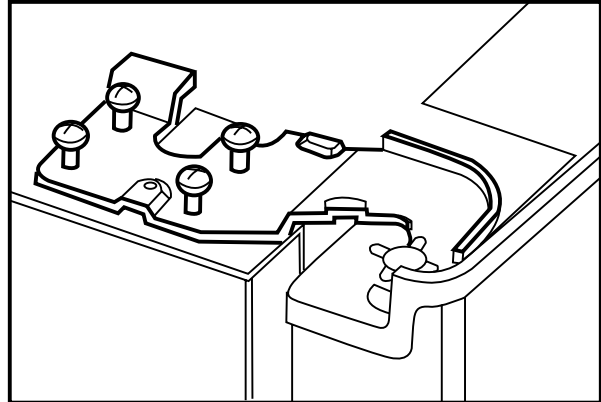


**Because of being wires in the hinge cover of the freezer door, switch off the refrigerator power before removing hinge covers and this situation should be made to take care.**



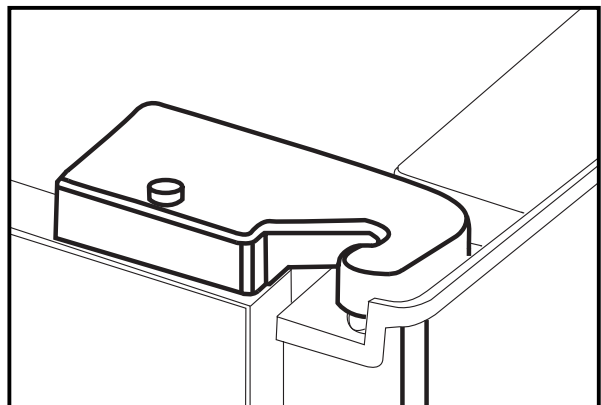
**i** Using a screwdriver, remove the screw of upper hinge cover of the door you want to adjust.

**i** Adjust the door appropriately as you desire by loosening the screws.



**i** Fix the door you have adjusted by tightening the screws without changing the position of the door.

**i** Replace the hinge cover and fix with the screw.



## 4 Preparation

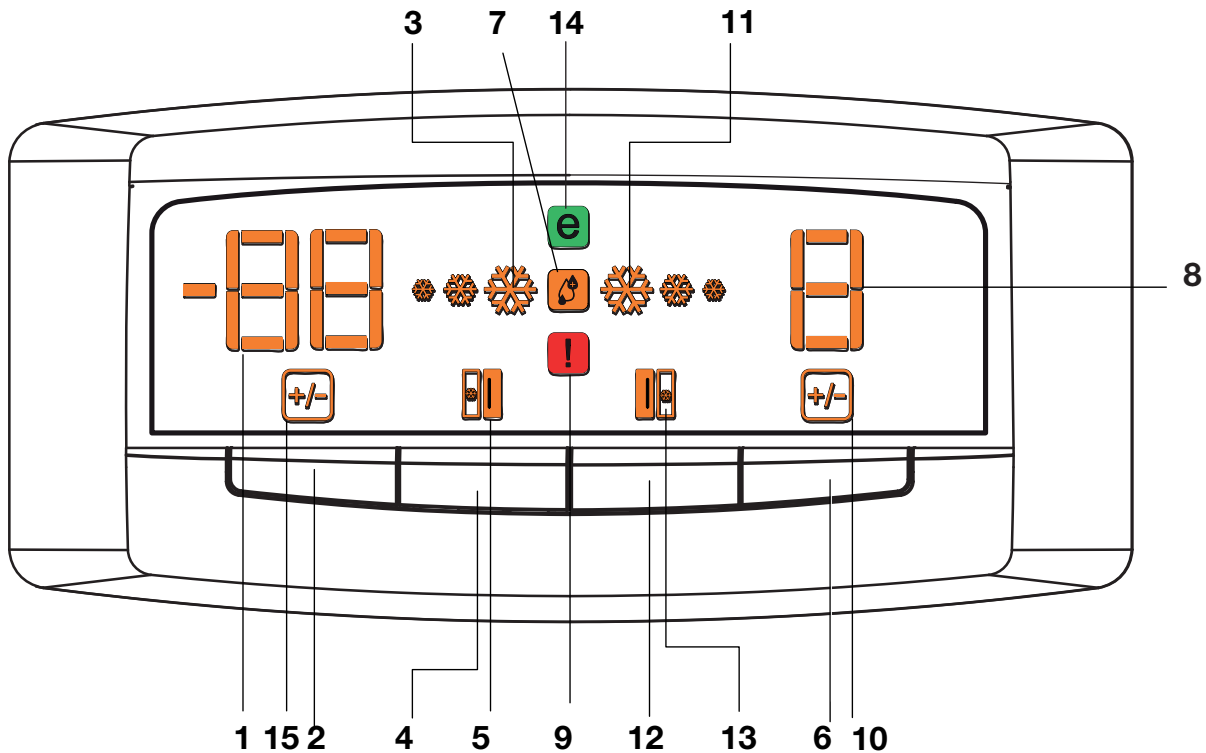
---

- i** Your refrigerator should be installed at least 30 cm away from heat sources such as hobs, ovens, central heater and stoves and at least 5 cm away from electrical ovens and should not be located under direct sunlight.
- i** The ambient temperature of the room where you install your refrigerator should at least be 10°C. Operating your refrigerator under cooler conditions than this is not recommended with regard to its efficiency.
- i** Please make sure that the interior of your refrigerator is cleaned thoroughly.
- i** If two refrigerators are to be installed side by side, there should be at least 2 cm distance between them.
- i** When you operate your refrigerator for the first time, please observe the following instructions during the initial six hours.
  - The door should not be opened frequently.
  - It must be operated empty without any food in it.
  - Do not unplug your refrigerator. If a power failure occurs out of your control, please see the warnings in the “Recommended solutions for the problems” section.
- i** Original packaging and foam materials should be kept for future transportations or moving.

## 5 Using your refrigerator

### Indicator Panel

Indicator panel aids in using your refrigerator with its audio and visual functions. This panel allows you to start and use all functions of your refrigerator without opening its doors since the panel is located on the outer side of the freezer compartment door.



1. Freezer Compartment Temperature Setting indicator
2. Freezer compartment temperature setting button
3. Fast Freeze indicator
4. Fast Freeze Button
5. Freezer door open indicator
6. Fridge compartment temperature adjustment button
7. High humidity indicator
8. Fridge temperature setting indicator
9. Error Indicator
10. Fridge compartment temperature change indicator
11. Quick cool indicator
12. Quick Cool Button
13. Fridge door open indicator
14. Economy mode
15. Freezer compartment temperature change indicator

**i** Figures that take place in this instruction manual are schematic and may not correspond exactly with your product. If the subject parts are not included in the product you have purchased, then it is valid for other models.

## Setting the fridge compartment temperature

When you want to change your refrigerator's temperature settings, you need to press the **"Fridge compartment temperature adjustment button"** to make the fridge compartment temperature adjustment. The fridge compartment temperature can be set to cooler degrees every time you press on the button (such as 8, 6, 4, 2, 8, ...).

## Setting the freezer compartment temperature

When you want to change your refrigerator's temperature settings, you need to press the **"Freezer compartment temperature adjustment button"** to make the freezer compartment temperature adjustment. The freezer compartment temperature can be set to cooler degrees every time you press on the button (such as, -18, -20, -22, -24, -18, ...).

## Fast Freeze function

You can use this function of your refrigerator to rapidly freeze the food you put into the freezer compartment for the first time or to obtain ice more quickly. If you want to keep your food frozen for a long period, first apply the fast freeze function to them. Fast freeze is the healthiest way of keeping the food for a long time. Temperature of your refrigerator's freezer compartment drops down to -27°C during fast freeze process. **When you want to use the "Fast Freeze"** function, press on the fast freeze button. Fast freeze indicator lights up when you press the button.

Freezer Compartment Temperature Adjustment Indicator turns to -27°C. While fast freeze function is activated, this compartment reaches colder degrees than the adjusted values and all of the freezer compartment temperature indicators may light up. Fast Freeze function lasts for maximum 24 hours. Your refrigerator will automatically exit the fast freeze mode once the fast freeze process is completed, fast freeze indicator lamp will go off and the refrigerator will turn back to the previously adjusted temperatures. Freezer compartment temperature indicators will gradually go off until the adjusted temperature value is attained.

If you have unintentionally switched your refrigerator to fast freeze mode or if you want to cancel the process, just press the **"Fast Freeze"** button again to exit the fast freeze mode.

If you want to freeze large amounts of fresh food, press the fast freeze button 24 hours before putting the food into the freezer compartment.



## Quick cool function

This function can be used for food placed in the fridge compartment and desired to be cooled down rapidly. Press quick cool button to activate the function. During this process, the quick cool indicator will light up and fridge compartment temperature adjustment indicator will turn into 1°C. While quick cool function is activated, this compartment reaches colder degrees than the adjusted values. Meanwhile, all of the temperature indicators of the fridge compartment may light up. Quick cool process will take about 2 hours and at the end of this period, the quick cool indicator lamp will go off, and the refrigerator will turn back to the previously adjusted temperatures.

## Egg tray

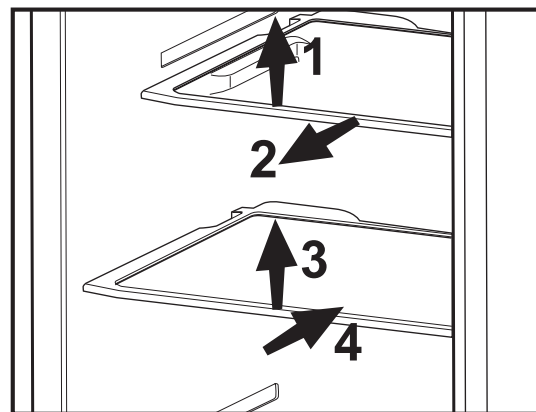
You can install the egg holder to the desired door or body shelf. Never store the egg holder in the freezer compartment

## Sliding Body Shelves

Sliding body shelves can be pulled by slightly lifting up from the front and moved back and forth. They come to a stop point when pulled towards front to allow you reach the foods placed at the back of the shelf; when it is pulled after slightly lifted upwards at the second stop point, the body shelf will be released.

The shelf should be hold tightly from the bottom as well in order to prevent it from tipping over. The body shelf is placed on the rails at the sides of the refrigerator body by bringing it to one lower or one upper level.

The body shelf should be pushed backwards to seat it completely.

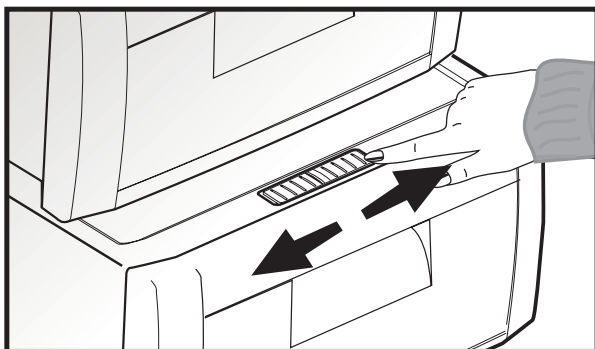


## Crisper humidity control sliders

Crisper of your refrigerator is designed especially fresh to keep your vegetables freshly without losing their humidity. Cold air circulates basically around the crisper and the amount of the cold air passing through the crisper is controlled by the sliders on the front side of the crisper cover.

You can adjust the humidity control sliders to a suitable position according to the humidity and cooling condition of your food in the crisper.


If you want your food in the crisper to cool more, open the holes of the humidity control sliders and if you want them to cool less and keep their humidity for a longer time, close the holes.



## Ion:

Air is ionized by means of the ionizer system in the fridge compartment air duct. Thanks to this system, air-borne bacteria and particles that cause odour are removed.

## Recommendations for preservation of frozen food

- Prepacked commercially frozen food should be stored in accordance with the frozen food manufacturer's instructions for a  ( 4 star) frozen food storage compartment.
- To ensure that the high quality achieved by the frozen food manufacturer and the food retailer is maintained, the following should be remembered:
  1. Put packets in the freezer as quickly as possible after purchase.
  2. Ensure that contents are labelled and dated.
  3. Do not exceed "Use By", "Best Before" dates on the packaging.If there is a power failure do not open the freezer door. Even if the power failure lasts up to the time specified on Type Label (inside left of the refrigerator), frozen food will not be affected. In case the failure lasts longer, the food must be checked and when necessary, must be consumed immediately or must be frozen after cooked.

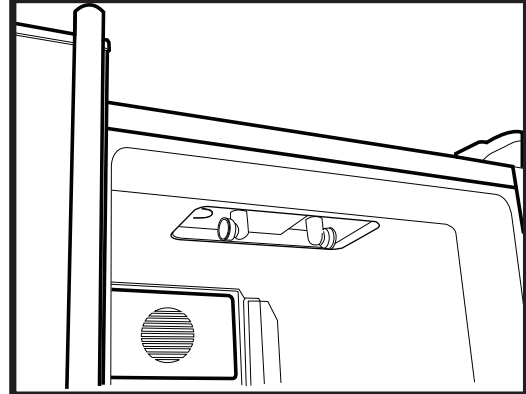
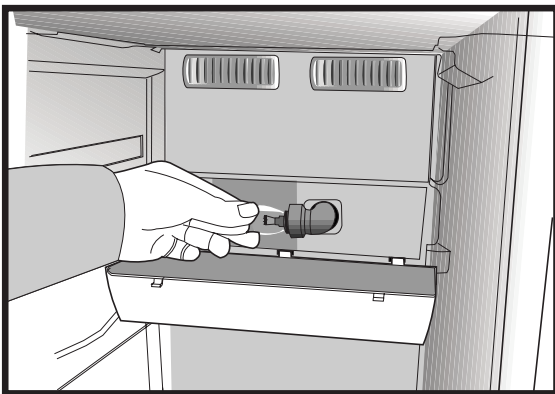
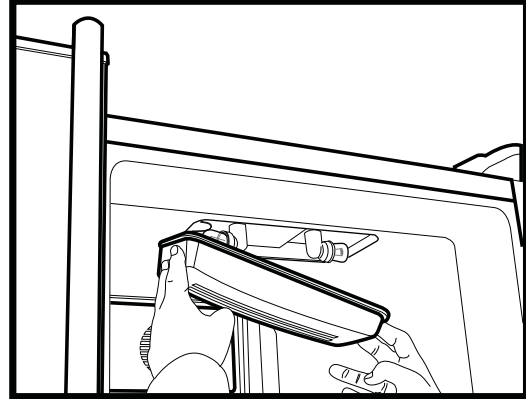
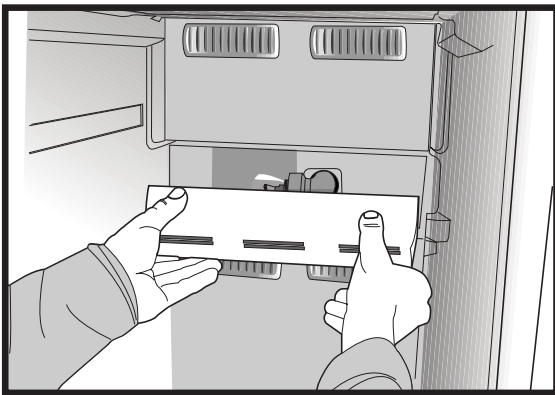
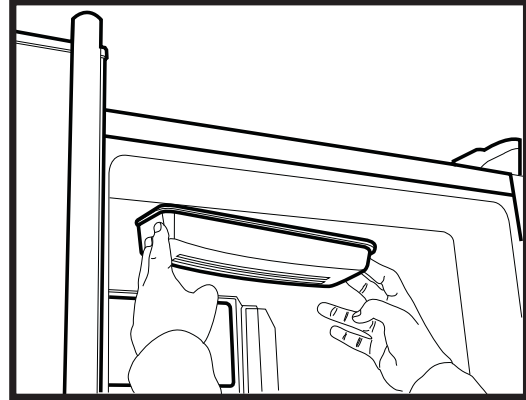
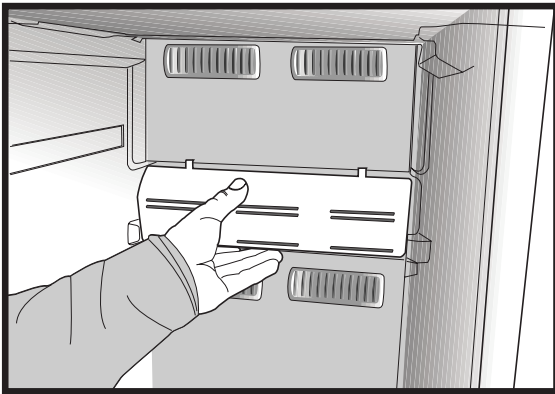
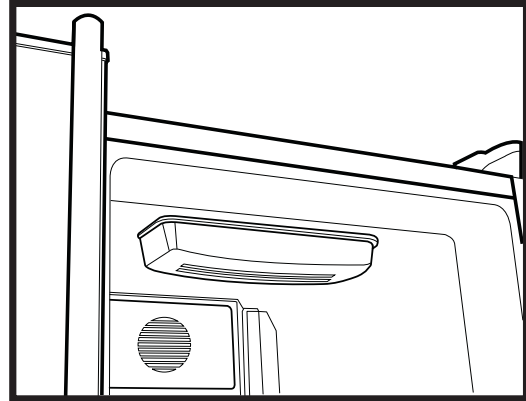
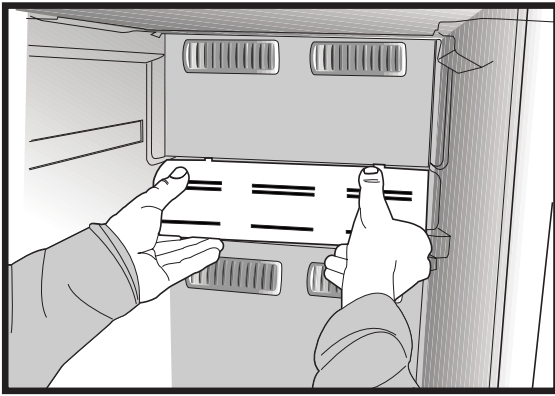
## Defrosting

The fridge and freezer compartments defrost automatically.

## Replacing the Interior Light Bulb

Should the light fail to work, proceed as follows:

- 1.** Switch off at the socket outlet and pull out the mains plug. Remove all shelves and drawers for easy access.
- 2.** Illumination covers in freezer and fridge sections are opened by pressing by hand; first release one side and then the other by pressing on the sides as shown in the figures.
- 3.** First check that the bulb has not worked loose by ensuring that it is screwed securely in the holder. Reinsert the plug and switch on. If the bulb works, reinstall the light cover by inserting the rear lug and pushing up to locate the front two lugs.
- 4.** If the light still fails to work, switch off at the socket outlet and pull out the mains plug. Replace the bulb with a new 15 watt (max) screw cap E14 (SES) bulb.
- 5.** Carefully dispose of the burnt-out light bulb immediately. Replacement light bulb can easily be obtained from a good local electrical or DIY store.



## Icematic

\* When the Icematic water supply reservoir **(1)** is removed from its place in order to fill it up, it must be replaced within two minutes after it is filled with water. The nozzle of the system will open and the Icematic cells will be filled with water automatically as soon as the cartridge is seated in its place. Your ice will be ready approximately in two 2 hours.

- Do not remove the Icematic **(2)** from its seating to take ice.
- Turn the knobs on it clockwise as illustrated in the figure.

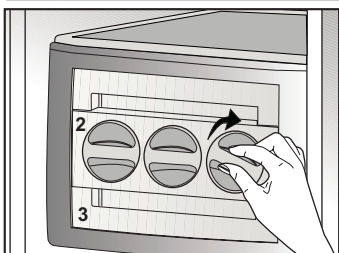
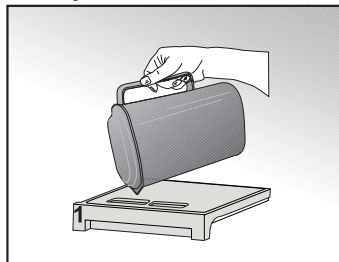
Ice cubes in the cells will fall down in to the ice bank **(3)** below.

- You may take out the ice bank and serve the ice cubes.
- If you wish, you may keep the ice cubes in the ice bank.

**The ice bank is just for accumulating ice cubes. Do not put water in it. Otherwise, it will break.**

### About water supply reservoir

Remove the water supply reservoir and fill it up with water. After filled up with water, the reservoir must be pushed forward into its seating until a “click” sound is heard. If there is any ice in the reservoir, wait until it melts. Water supply reservoir has a capacity of approximately 290 ml.

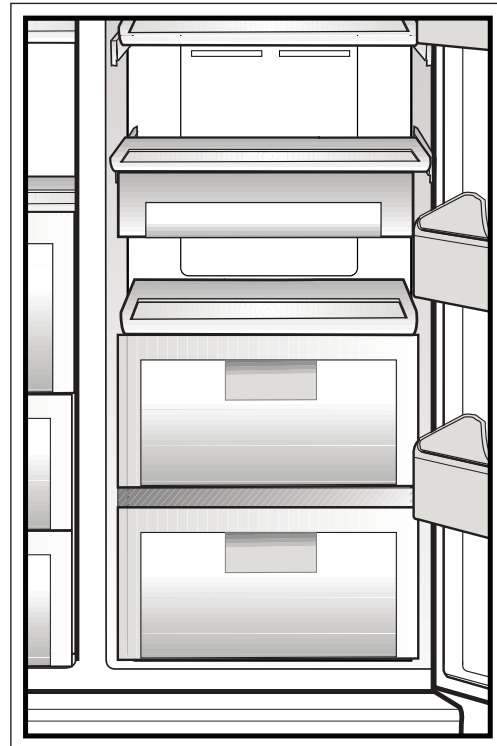


## Chiller compartment

If you wish to use the storage container under the shelf as the Chiller compartment, the storage container under the shelf should be placed as shown in the picture.

Chiller compartments enable the foods to be frozen become ready for freezing. You can also use these compartments to store your food at a temperature a few degrees below the fridge compartment.

You can increase the inner volume of your refrigerator by removing any of the chiller compartments. To do this, pull the compartment towards yourself; the compartment will lean against the stopper and stop. This compartment will be released when you lift it about 1 cm and pull it towards yourself.



## 6 Maintenance and cleaning

---

- ⚠ Never use gasoline, benzene or similar substances for cleaning purposes.
- ⚠ We recommend that you unplug the appliance before cleaning.
- ⚠ Never use any sharp abrasive instrument, soap, household cleaner, detergent and wax polish for cleaning.
- ℹ Use lukewarm water to clean the cabinet of your refrigerator and wipe it dry.
- ℹ Use a damp cloth wrung out in a solution of one teaspoon of bicarbonate of soda to one pint of water to clean the interior and wipe it dry.
- ⚠ Make sure that no water enters the lamp housing and other electrical items.
- ⚠ If your refrigerator is not going to be used for a long period of time, unplug the power cable, remove all food, clean it and leave the door ajar.
- ℹ Check door seals regularly to ensure they are clean and free from food particles.
- ⚠ To remove door racks, remove all the contents and then simply push the door rack upwards from the base.

### Protection of plastic surfaces

- ℹ Do not put the liquid oils or oil-cooked meals in your refrigerator in unsealed containers as they damage the plastic surfaces of your refrigerator. In case of spilling or smearing oil on the plastic surfaces, clean and rinse the relevant part of the surface at once with warm water.

## 7 Recommended solutions for the problems

Please review this list before calling the service. It might save you time and money. This list includes frequent complaints that are not arising from defective workmanship or material usage. Some of the features described here may not exist in your product.

The refrigerator does not operate.

- Is the refrigerator properly plugged in? Insert the plug to the wall socket.
- Is the fuse of the socket which your refrigerator is connected to or the main fuse blown out? Check the fuse.

Condensation on the side wall of the fridge compartment (MULTIZONE, COOL CONTROL and FLEXI ZONE).

- Very cold ambient conditions. Frequent opening and closing of the door. Highly humid ambient conditions. Storage of food containing liquid in open containers. Leaving the door ajar. Switching the thermostat to a colder degree.
- Decreasing the time the door left open or using it less frequently.
- Covering the food stored in open containers with a suitable material.
- Wipe the condensation using a dry cloth and check if it persists.

Compressor is not running

- Protective thermic of the compressor will blow out during sudden power failures or plug-out plug-ins as the refrigerant pressure in the cooling system of the refrigerator has not been balanced yet. Your refrigerator will start running approximately after 6 minutes. Please call the service if the refrigerator does not startup at the end of this period.
- The fridge is in defrost cycle. This is normal for a full-automatically defrosting refrigerator. Defrosting cycle occurs periodically.
- Your refrigerator is not plugged into the socket. Make sure that the plug is properly fit into the socket.
- Are the temperature adjustments correctly made?
- Power might be cut off.



The fridge is running frequently or for a long time.

- Your new product may be wider than the previous one. This is quite normal. Large refrigerators operate for a longer period of time.
- The ambient room temperature may be high. This is quite normal.
- The refrigerator might have been plugged in recently or might have been loaded with food. Cooling down of the refrigerator completely may last for a couple of hours longer.
- Large amounts of hot food might have been put in the refrigerator recently. Hot food causes longer running of the refrigerator until they reach the safe storage temperature.
- Doors might have been opened frequently or left ajar for a long time. The warm air that has entered into the refrigerator causes the refrigerator to run for longer periods. Open the doors less frequently.
- Freezer or fridge compartment door might have been left ajar. Check if the doors are tightly closed.
- The refrigerator is adjusted to a very low temperature. Adjust the refrigerator temperature to a warmer degree and wait until the temperature is achieved.
- Door seal of the fridge or freezer may be soiled, worn out, broken or not properly seated. Clean or replace the seal. Damaged/broken seal causes the refrigerator to run for a longer period of time in order to maintain the current temperature.

Freezer temperature is very low while the fridge temperature is sufficient.

- The freezer temperature is adjusted to a very low temperature. Adjust the freezer temperature to a warmer degree and check.

Fridge temperature is very low while the freezer temperature is sufficient.

- The fridge temperature might have been adjusted to a very low temperature. Adjust the fridge temperature to a warmer degree and check.

Food kept in the fridge compartment drawers are freezing.

- The fridge temperature might have been adjusted to a very low temperature. Adjust the fridge temperature to a warmer degree and check.

Temperature in the fridge or freezer is very high.

- The fridge temperature might have been adjusted to a very high degree. Fridge adjustment has an effect on the temperature of the freezer. Change the temperature of the fridge or freezer until the fridge or freezer temperature reaches to a sufficient level.
- Doors might have been opened frequently or left ajar for a long time; open them less frequently.
- Door might have been left ajar; close the door completely.
- Large amount of hot food might have been put in the refrigerator recently. Wait until the fridge or freezer reaches the desired temperature.
- The refrigerator might have been plugged in recently. Cooling down of the refrigerator completely takes time.

The operation noise increases when the refrigerator is running.

- The operating performance of the refrigerator may change due to the changes in the ambient temperature. It is normal and not a fault.

Vibrations or noise.

- The floor is not even or it is weak. The refrigerator rocks when moved slowly. Make sure that the floor is strong enough to carry the refrigerator, and level.
- The noise may be caused by the items put onto the refrigerator. Items on top of the refrigerator should be removed.

There are noises coming from the refrigerator like liquid spilling or spraying.

- Liquid and gas flows happen in accordance with the operating principles of your refrigerator. It is normal and not a fault.

There is a noise like wind blowing.

- Fans are used in order to cool the refrigerator. It is normal and not a fault.

Condensation on the inner walls of refrigerator.

- Hot and humid weather increases icing and condensation. It is normal and not a fault.
- Doors might have been left ajar; make sure that the doors are closed fully.
- Doors might have been opened frequently or left ajar for a long time; open them less frequently.

Humidity occurs on the outside of the refrigerator or between the doors.

- There might be humidity in the air; this is quite normal in humid weather. When the humidity is less, condensation will disappear.

Bad odor inside the refrigerator.

- Inside of the refrigerator must be cleaned. Clean the inside of the refrigerator with a sponge, lukewarm water or carbonated water.
- Some containers or package materials might cause the smell. Use a different container or different brand packaging material.

The door is not closing.

- Food packages may prevent the door's closing. Replace the packages that are obstructing the door.
- The refrigerator is not completely upright on the floor and rocking when slightly moved. Adjust the elevation screws.
- The floor is not level or strong. Make sure that the floor is level and capable to carry the refrigerator.

Crispers are stuck.

- The food might be touching the ceiling of the drawer. Rearrange food in the drawer.

## Prosimy najpierw przeczytać tę instrukcję obsługi!

Droży Klienci,

Mamy nadzieję, że nasz wyrób, wyprodukowany w nowoczesnym zakładzie i sprawdzony według najbardziej drobiazgowych procedur kontroli jakości, będzie Wam dobrze służył.

Dlatego zalecamy, aby uważnie przeczytać całą instrukcję obsługi tego wyrobu przed jego uruchomieniem i zachować ją do wglądu w przyszłości.

### Instrukcja niniejsza

- Pomoże używać tego urządzenia sprawnie i bezpiecznie.
- Przeczytajcie tę instrukcję przed zainstalowaniem i uruchomieniem lodówki.
- Postępujcie zgodnie z tymi wskazówkami, zwłaszcza dotyczącymi bezpieczeństwa.
- Przechowujcie tę instrukcję w łatwo dostępnym miejscu, bo może się przydać później.
- Prosimy przeczytać także inne dokumenty dostarczone wraz z lodówką.

Instrukcja ta może odnosić się także do innych modeli.

### Symbole i ich znaczenie

Niniejsza instrukcja obsługi zawiera następujące symbole:



Ważne informacje lub przydatne wskazówki użytkownika.

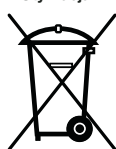


Ostrzeżenie przed zagrożeniem życia i mienia.



Ostrzeżenie przed porażeniem elektrycznym.

Utylizacja



Wyrób ten nosi symbol selektywnego sortowania odpadów urządzeń elektrycznych i elektronicznych (WEEE).

Znaczy to, że w celu zminimalizowania oddziaływania na środowisko naturalne wyrób ten należy poddać utylizacji lub rozebrać zgodnie z Dyrektywą Europejską 2002/96/WE. Bliższe informacje uzyskać można od władz lokalnych lub regionalnych.

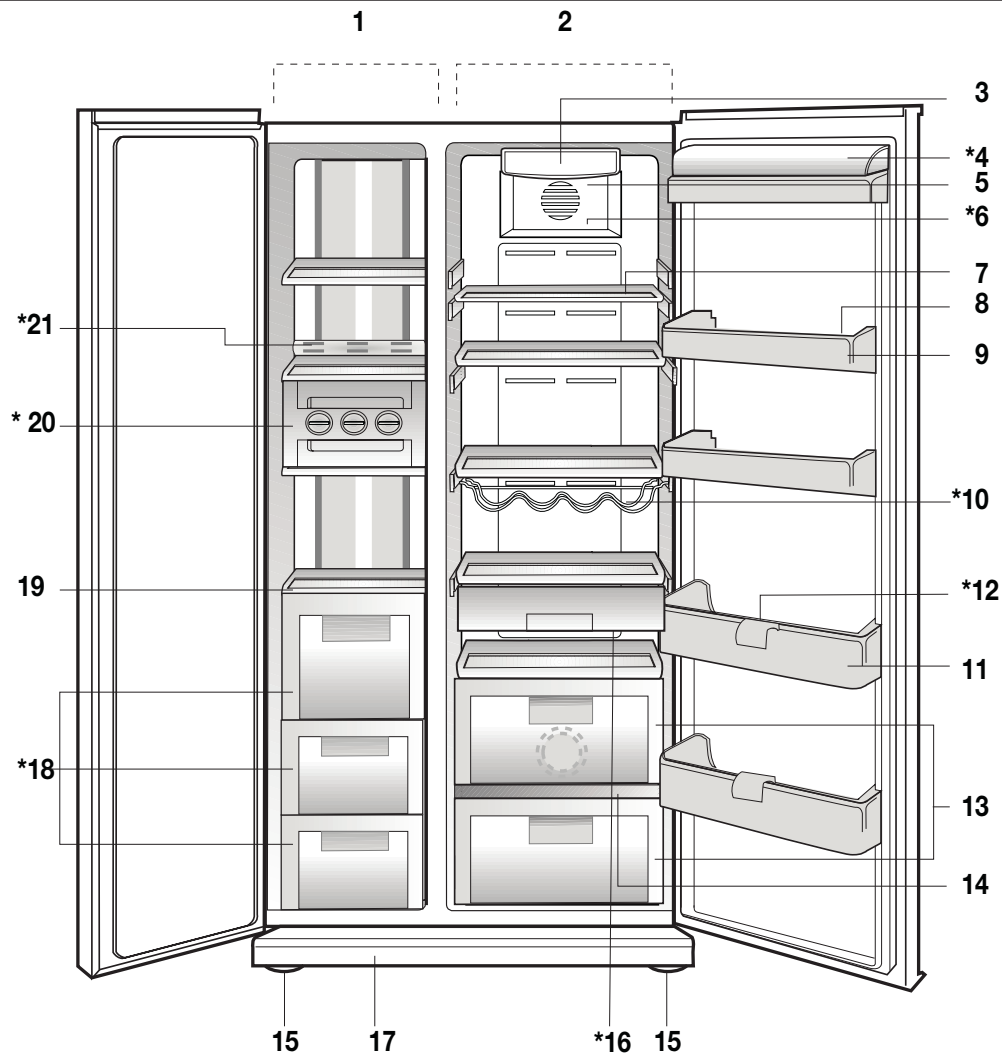
Ze względu na zawartość substancji szkodliwych wyroby elektroniczne nie poddane procesowi selektywnego sortowania mogą być niebezpieczne dla środowiska naturalnego i zdrowia ludzi.

## SPIS TREŚCI

---

<b>1 Chłodziarka</b>	<b>3</b>	<b>4 Przygotowanie</b>	<b>12</b>
<b>2 Ważne ostrzeżenia dot. bezpieczeństwa</b>	<b>4</b>	<b>5 Obsługa chłodziarki</b>	<b>13</b>
Zamierzone przeznaczenie .....	4	Panel wskaźników.....	13
Ogólne zasady bezpieczeństwa .....	4	Nastawianie temperatury komory chłodzenia .....	14
Bezpieczeństwo dzieci .....	6	Nastawianie temperatury komory zamrażarki .....	14
Ostrzeżenie HCA .....	6	Funkcja szybkiego zamrażania .....	14
Co zrobić, aby oszczędzać energię.....	6	Funkcja szybkiego chłodzenia .....	15
<b>3 Instalacja</b>	<b>7</b>	Tacka na jajka .....	15
W razie potrzeby ponownego transportu chłodziarki należy przestrzegać następujących wskazówek:.....	7	Półki wysuwane .....	15
Przed uruchomieniem chłodziarki .....	7	Suwaki nastawiania wilgotności w pojemniku na świeże warzywa.....	16
Połączenia elektryczne .....	8	Jonizowanie: .....	16
Usuwanie opakowania .....	8	Zalecenia co do przechowywania mrożonek .....	17
Utylizacja starej chłodziarki.....	8	Odszranianie.....	17
Ustawienie i instalacja .....	8	Wymiana żarówki oświetlenia wewnętrznego .....	17
Wyrównanie nierówności podłogi .....	9	Komora schładzania.....	19
Ustawianie szczeliny między górnymi drzwiczkami.....	11	<b>6 Konserwacja i czyszczenie</b>	<b>20</b>
		Zabezpieczenia powierzchni plastikowych .....	20
		<b>7 Zalecane rozwiązania problemów</b>	<b>21</b>

# 1 Chłodziarka



- |   |  |
|---|--|
| 1. Komora zamrażalnika                    | 12. Uchwyt na butelki                    |
| 2. Komora chłodziarki                     | 13. Komora na świeże warzywa             |
| 3. Lampka komory chłodzenia               | 14. Pokrywa pojemnika na świeże warzywa  |
| 4. Pokrywa pojemnika na masło i ser       | 15. Nastawiane nóżki przednie            |
| 5. Wentylator                             | 16. Tacka na przekąski                   |
| 6. Jonizator                              | 17. Pokrywa wentylacyjna                 |
| 7. Szklane półki w komorze chłodniczej    | 18. Szuflady w komorze zamrażalnika      |
| 8. Tacka na jajka                         | 19. Półki szklane w komorze zamrażalnika |
| 9. Półki w drzwiczkach komory chłodniczej | 20. Kostkarka Icematic                   |
| 10. Komora z winem                        | 21. Lampka komory zamrażania             |
| 11. Półki na butelki                      | * OPCJONALNE                             |

**i** Rysunki w niniejszej instrukcji to tylko schematy i nie muszą ściśle odpowiadać Waszemu modelowi chłodziarki. Jeśli pewnych części nie ma w nabytej chłodziarce, to znaczy, że odnoszą się do innych modeli.

## 2 Ważne ostrzeżenia dot. bezpieczeństwa

Prosimy przeczytać następujące ostrzeżenia. Ich nieprzestrzeganie grozi obrażeniami lub uszkodzeniem mienia. W takim przypadku tracą ważność wszelkie gwarancje i zapewnienia niezawodności. Czas użytkowania nabytego urządzenia wynosi 10 lat. Przez ten czas utrzymujemy części zamienne potrzebne do jego zgodnego z opisem funkcjonowania.

### Zamierzone przeznaczenie

- Urządzenie można używać wyłącznie w gospodarstwie domowym oraz:
  - na zapleczu kuchennych personelu w sklepach, biurach i w innych miejscach pracy;
  - w kuchniach wiejskich i przez gości hotelowych, w motelach i innych tego rodzaju miejscach;
  - w pensjonatach serwujących nocleg ze śniadaniem;
  - cateringu i w innych tego rodzajach zastosowaniach niedetalicznych.
- Nie należy używać jej na dworze. Nie nadaje się do użytkowania na dworze, nawet w miejscach zadaszonych.

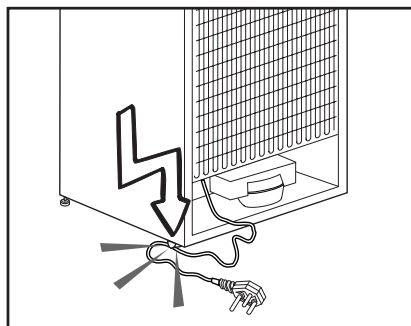
### Ogólne zasady bezpieczeństwa

- Gdy zechcecie pozbyć się tego urządzenia/ złomować je, zalecamy skonsultowanie się z autoryzowanym serwisem, aby uzyskać potrzebne informacje i poznać kompetentne organa.
- Konsultujcie się z Waszym autoryzowanym serwisem w sprawach wszelkich pytań i problemów związanych z tą lodówką. Bez powiadomienia autoryzowanego serwisu nie wolno samemu ani innym osobom naprawiać chłodziarki.
- Nie jedzcie lodów ani lodu bezpośrednio po wyjęciu ich z zamrażalnika! (Może to spowodować odmrożenia w ustach).

- Nie wkładajcie do zamrażalnika napojów w puszkach ani w butelkach. Mogą wybuchnąć.
- Nie dotykajcie palcami mrożonej żywności, bo może do nich przygnać.
- Do czyszczenia i rozmrażania lodówki nie wolno stosować pary ani środków czyszczących w tej postaci. W takich przypadkach para może zetknąć się z częściami urządzeń elektrycznych i spowodować zwarcie albo porażenie elektryczne.
- Nie wolno używać żadnych części lodówki, takich jak drzwiczki, jako podpory ani stopnia.
- Wewnątrz lodówki nie wolno używać urządzeń elektrycznych.
- Nie wolno uszkadzać obwodu chłodzącego, w którym krąży środek chłodzący, narzędziami do wiercenia i cięcia. Środek chłodzący, który może wybuchnąć skutkiem przedziurawienia przewodów gazowych parownika, przedłużeń rur lub powłok powierzchni, może spowodować podrażnienia skóry lub obrażenia oczu.
- Nie przykrywajcie żadnym materiałem ani nie blokujcie otworów wentylacyjnych w lodówce.
- Urządzenia elektryczne naprawiać mogą tylko wykwalifikowani fachowcy. Naprawy wykonywane przez osoby niekompetentne mogą powodować zagrożenie dla użytkowników.
- W razie jakiegokolwiek awarii, a także w trakcie prac konserwacyjnych lub napraw, odłączcie lodówkę od zasilania z sieci albo wyłączając odnośny bezpiecznik, albo wyjmując wtyczkę z gniazdka.
- Wyjmując przewód zasilający z gniazdka należy ciągnąć za wtyczkę, nie za przewód.
- Napoje o wyższej zawartości alkoholu wkładajcie do lodówki w ściśle zamkniętych naczyniach i w pozycji pionowej.

- W urządzeniu nie należy przechowywać substancji wybuchowych ani pojemników z łatwopalnymi gazami pędnymi.
- W celu przyspieszenia procesu rozmrażania lodówki nie należy używać żadnych urządzeń mechanicznych ani innych środków poza zalecanymi przez jej producenta.
- Urządzenie to nie jest przeznaczone do obsługi przez osoby (w tym dzieci) z ograniczoną sprawnością fizyczną, zmysłową lub umysłową, czy bez odpowiedniego doświadczenia i umiejętności, o ile nie zapewni się im nadzoru lub instrukcji jego użytkowania ze strony osoby odpowiedzialnej za ich bezpieczeństwo.
- Nie uruchamiajcie lodówki, jeśli jest uszkodzona. W razie wątpliwości należy się skonsultować z serwisem.
- Bezpieczeństwo elektryczne tej lodówki gwarantuje się tylko jeśli system uziemienia Waszej instalacji domowej spełnia wymogi norm.
- Wystawianie tego urządzenia na działanie deszczu, śniegu, słońca i wiatru zagraża jego bezpieczeństwu elektrycznemu.
- W razie uszkodzenia przewodu zasilającego itp. skontaktujcie się z autoryzowanym serwisem, aby nie narażać się na zagrożenie.
- W trakcie instalowania chłodziarki nigdy nie wolno włączać wtyczki w gniazdko w ścianie. Może to zagrażać śmiercią lub poważnym urazem.
- Chłodziarka ta służy wyłącznie do przechowywania żywności. Nie należy jej używać w żadnym innym celu.
- Etykieta z danymi technicznymi chłodziarki umieszczona jest po lewej stronie w jej wnętrzu.
- Nie przyłączaj tej chłodziarki do systemu oszczędzania energii, ponieważ może to ją uszkodzić.

- Jeśli chłodziarka wyposażona jest w niebieskie światło, nie patrz na nie poprzez przyrządy optyczne.
- Jeśli od ręcznie nastawianej chłodziarki odłączy się zasilanie, prosimy odczekać co najmniej 5 minut, zanim ponownie się ją załączy.
- Jeżeli zmieni się właściciel tej chłodziarki, niniejszą instrukcję obsługi należy przekazać wraz z nią nowemu właścicielowi.
- Przy przesuwaniu chłodziarki uważaj, żeby nie uszkodzić przewodu zasilającego. Aby zapobiec pożarowi nie wolno skręcać tego przewodu. Nie ustawiać na przewodzie żadnych ciężkich przedmiotów. Gdy wtyczka chłodziarki jest wsadzona do gniazdka nie wolno jej dotykać wilgotnymi dłońmi.



- Nie wsadzaj wtyczki chłodziarki do obłuzowanego gniazdka.
- Ze względów bezpieczeństwa nie przyskaj wodą bezpośrednio na zewnętrzne ani na wewnętrzne części chłodziarki.
- Ze względu na zagrożenie pożarem i wybuchem nie rozpylaj łatwopalnych materiałów, takich jak gaz propan itp., w pobliżu chłodziarki.
- Nie stawiaj na chłodziarce przedmiotów wypełnionych wodą, ponieważ grozi to porażeniem elektrycznym lub pożarem.
- Nie przeciążaj chłodziarki nadmierną ilością żywności. Nadmiar żywności może wypaść, gdy otwiera się drzwiczki, narażając użytkownika na obrażenia ciała lub uszkodzenie chłodziarki. Nie wolno stawiać żadnych przedmiotów na chłodziarce, ponieważ mogą spaść przy otwieraniu lub zamykaniu drzwiczek.



- W chłodziarce nie należy przechowywać żadnych materiałów, które wymagają utrzymania w pewnej temperaturze, takich jak szczepionki, lekarstwa wrażliwe na temperaturę, materiały do badań naukowych itp.
- Jeśli chłodziarka ma być nieużywana przez dłuższy czas, należy wyjąć jej wtyczkę z gniazdka. Uszkodzenie izolacji elektrycznej przewodu zasilającego może spowodować pożar.
- Czubek wtyczki elektrycznej należy regularnie czyścić, w przeciwnym razie może spowodować pożar.
- Jeśli nastawialne nóżki nie stoją pewnie na podłodze, chłodziarka może się przesuwać. Prawidłowa regulacja nóżek chłodziarki zapewnia jej stabilność na podłodze.
- Jeśli chłodziarka ma klamkę w drzwiach nie należy ciągnąć za nią, gdy przesuwa się chłodziarkę, ponieważ można w ten sposób odłączyć ją od chłodziarki.
- Jeśli musisz ustawić chłodziarkę obok innej chłodziarki lub zamrażarki, odległość między tymi urządzeniami musi wynosić co najmniej 8 mm. W przeciwnym razie na ich ustawionych naprzeciw siebie bocznych ścianach może skraplać się wilgoć.
- Ciśnienie wody w instalacji wodociągowej musi wynosić co najmniej 1 bar. Ciśnienie wody w instalacji wodociągowej nie może przekraczać 8 bar.
- Używaj wyłącznie wody pitnej.

## Bezpieczeństwo dzieci

- Jeśli drzwiczki zamykane są na klucz, należy go chronić przed dostępem dzieci.
- Należy zapewnić opiekę dzieciom, aby nie bawiły się lodówką.

## Ostrzeżenie HCA

**Jeśli chłodziarka ta wyposażona jest w system chłodniczy zawierający R600a:**

Gaz ten jest łatwopalny. Należy zatem uważać, aby w trakcie jego użytkowania i transportu nie uszkodzić systemu i przewodów chłodzenia. W razie uszkodzenia, należy trzymać chłodziarkę z dala od potencjalnych źródeł ognia, które mogą spowodować jej pożar i należy wietrzyć pomieszczenie, w którym jest umieszczona.

**Prosimy zignorować to ostrzeżenie, jeśli chłodziarka ta wyposażona jest w system chłodniczy zawierający R134a.**

Oznaczenie gazu zastosowanego w danej chłodziarce można odczytać z tabliczki znamionowej umieszczonej z lewej strony w jej wnętrzu.

Nie należy złomować chłodziarki przez jej spalanie.

## Co robić, aby oszczędzać energię.

- Nie zostawiajcie drzwiczek lodówki otwartych na dłużej.
- Nie wkładajcie do lodówki gorących potraw ani napojów.
- Nie przeładujcie lodówki tak, aby przeszkadzało to w krążeniu powietrza w jej wnętrzu.
- Nie instalujcie lodówki tam, gdzie narażona będzie na bezpośrednie działanie słońca ani w pobliżu urządzeń wydzielających ciepło takich jak piecyki, zmywarki do naczyń lub grzejniki.
- Pamiętajcie, aby żywność przechowywać w zamkniętych pojemnikach.
- Po wyjęciu półki lub szuflady z komory zamrażalnika można do niego włożyć maksymalną ilość żywności. Deklarowane zużycie energii przez chłodziarkę określono przy półce lub szufladzie wyjętej z komory zamrażania i przy maksymalnym wypełnieniu żywnością. Używanie półki lub szuflady odpowiednio do kształtów i rozmiarów zamrażanej żywności jest bezpieczne.

### 3 Instalacja

**i** Należy pamiętać, że producent nie ponosi odpowiedzialności, jeśli są ignorowane informacje podane w niniejszej instrukcji.

#### **W razie potrzeby ponownego transportu chłodziarki należy przestrzegać następujących wskazówek:**

1. Przed transportem należy chłodziarkę opróżnić i oczyścić.
2. Przed ponownym zapakowaniem chłodziarki, półki, akcesoria, pojemnik na warzywa itp. należy przymocować taśmą klejącą zabezpieczając je przed wstrząsami.
3. Opakowanie należy obwiązać grubą taśmą i silnymi sznurkami i przestrzegać reguł transportu wydrukowanych na opakowaniu.

#### **i Zawsze pamiętaj...**

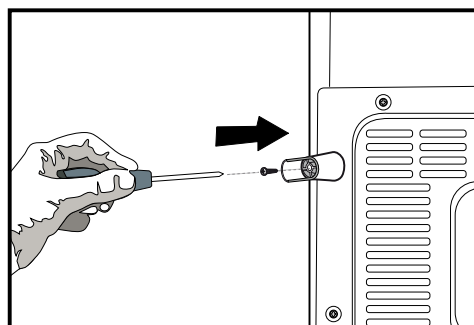
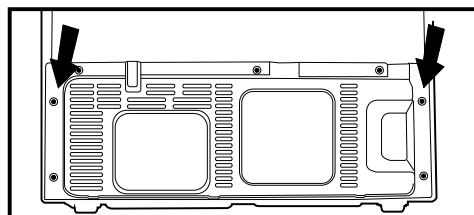
Wszystkie surowce wtórne stanowią niezbywalne źródło oszczędności zasobów naturalnych i krajowych.

Osoby pragnące przyczynić się do wtórnego wykorzystania materiałów opakunkowych, mogą uzyskać dodatkowe informacje od instytucji ochrony środowiska lub władz lokalnych.

#### **Przed uruchomieniem chłodziarki**

Przed rozpoczęciem użytkowania chłodziarki, należy sprawdzić:

1. Czy wewnątrz chłodziarki jest suche i czy powietrze może swobodnie krążyć za chłodziarką?
2. Oczyścić wewnątrz chłodziarki, zgodnie z zaleceniami podanymi w rozdziale „Konserwacja i czyszczenie”.
3. Wsadź 2 plastikowe kliny w tylną płytę wentylacyjną, jak pokazano na poniższym rysunku. Odkręć obecne śrubki i użyj śrubek dostarczonych w tej samej torebce, co kliny. Kliny plastikowe zapewniają odstęp pomiędzy chłodziarką a ścianą wymagany do umożliwienia krążenia powietrza.



4. Włączyć wtyczkę chłodziarki w gniazdko w ścianie. Po otwarciu drzwiczek zapali się lampka wewnętrzna.
5. Po uruchomieniu sprężarki słyszalny będzie jej szum. Płyny i gazy zawarte w systemie chłodzenia także mogą powodować szумы, nawet jeśli nie działa sprężarka i jest to zupełnie normalne.
6. Przednie krawędzie chłodziarki mogą się nagrzewać. Jest to całkiem normalne. Te miejsca mogą się nagrzewać, zapobiegając skraplaniu się pary.

## Połączenia elektryczne

Chłodziarkę przyłącza się do gniazdka z uziemieniem, zabezpieczonego bezpiecznikiem o odpowiedniej wartości.

Ważne:

- ⚠️ Przyłączenie chłodziarki musi być zgodne z przepisami krajowymi.
- ⚠️ Po instalacji wtyczka zasilania musi być łatwo dostępna.
- ⚠️ Podane tam napięcie musi być równe napięciu w sieci zasilającej użytkownika.
- ⚠️ Do przyłączenia nie można używać przedłużaczy, ani rozgałęźników.
- ⚠️ Uszkodzony przewód zasilający musi wymienić upoważniony i wykwalifikowany elektryk.
- ⚠️ Przed naprawą nie wolno ponownie uruchamiać chłodziarki! Grozi to porażeniem elektrycznym!

## Usuwanie opakowania

⚠️ Materiały opakunkowe mogą być niebezpieczne dla dzieci. Należy chronić materiały opakunkowe przed dostępem dzieci, albo usunąć je zgodnie z instrukcją odpowiednią dla odpadków ich kategorii. Nie wolno usuwać ich w taki sam sposób, jak innych odpadów z gospodarstwa domowego.

Opakowanie tej chłodziarki wyprodukowano z surowców wtórnych.

## Utylizacja starej chłodziarki

Starą chłodziarkę należy utylizować tak, aby nie zaszkodzić środowisku naturalnemu.

- ⚠️ W sprawie utylizacji chłodziarki można skonsultować się z autoryzowanym sprzedawcą lub punktem zbiórki surowców wtórnych w swojej miejscowości.
- ⚠️ Przed złomowaniem chłodziarki należy odciąć wtyczkę zasilania elektrycznego, a jeśli w drzwiczkach są jakieś zamki, należy je trwale uszkodzić, aby chronić dzieci przed wszelkimi zagrożeniami.

## Ustawienie i instalacja

⚠️ Uwaga: W trakcie instalowania chłodziarki nigdy nie wolno włączać wtyczki w gniazdko w ścianie. Może to zagrażać śmiercią lub poważnym urazem.

⚠️ Jeśli drzwi wejściowe do pomieszczenia, w którym ma być zainstalowana chłodziarka, są zbyt wąskie, aby chłodziarka mogła przez nie przejść, należy wezwać autoryzowany serwis, który zdejmie z niej drzwiczki i przeniesie ją bokiem przez drzwi.

1. Chłodziarkę należy zainstalować w miejscu, w którym łatwo będzie ją używać.
2. Chłodziarka musi stać z dala od źródeł ciepła, miejsc wilgotnych i bezpośrednio nasłonecznionych.
3. Aby uzyskać wydajną pracę chłodziarki, należy zapewnić odpowiednią wentylację wokół niej. Jeśli chłodziarka ma stanąć we wnęce w ścianie, należy zachować co najmniej 5 cm odstęp od sufitu i ściany. Jeśli podłoga pokryta jest wykładziną dywanową, chłodziarka musi stać 2,5 cm ponad powierzchnią podłogi.
4. Aby uniknąć wstrząsów, chłodziarkę należy ustawić na równej powierzchni podłogi.
5. Temperatura w otoczeniu chłodziarki nie może spadać poniżej 10°C.

## Wyrównanie nierówności podłogi

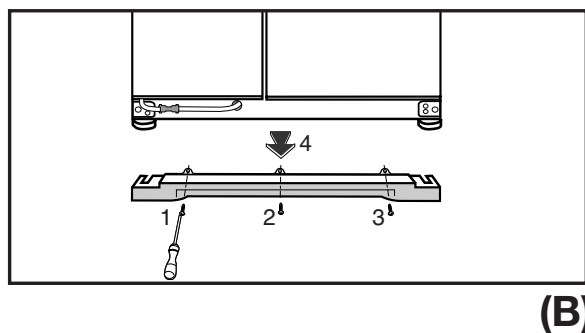
Jeśli chłodziarka nie stoi równo;  
Można wyrównać jej ustawienie obracając przednie nóżki, tak jak pokazano na rysunku. (Patrz Rysunek A) Narożnik chłodziarki obniża się po obróceniu nóżki w tym narożniku w kierunku wskazanym czarną strzałką lub podnosi się po obróceniu nóżki w przeciwnym kierunku. Takie działanie ułatwi lekkie uniesienie chłodziarki z pomocą innej osoby.



## Regulacja wysokości drzwiczek

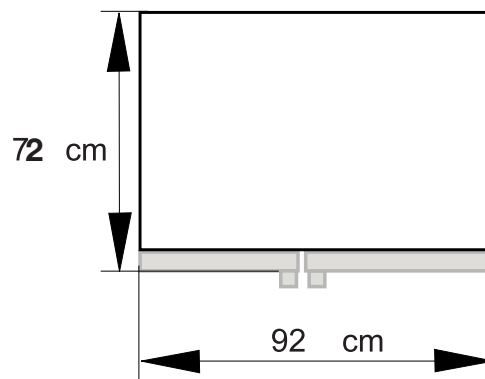
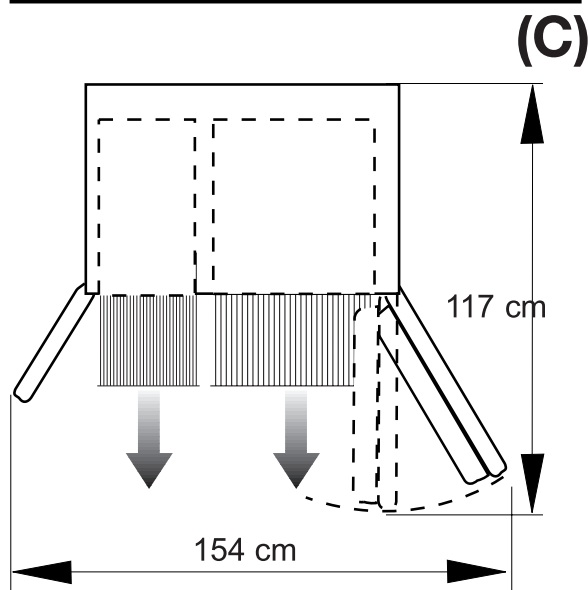
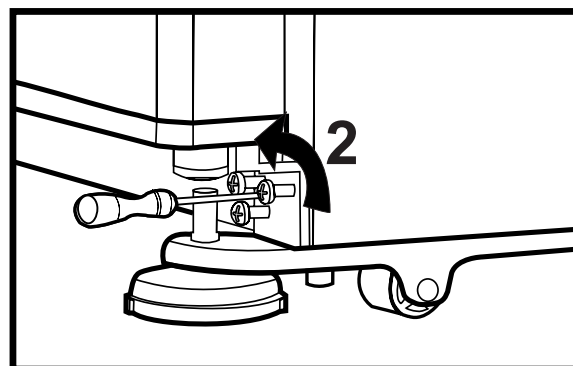
W razie problemu z ustawieniem drzwiczek względem siebie można je wyrównać podnosząc w pionie w podany poniżej sposób. Podczas ustawiania wysokości drzwiczek muszą one być puste.

1. Zdjąć dolne drzwiczki wentylacyjne odkręcając śruby, jak to pokazano na poniższym rysunku. (Patrz Rysunek B)
2. Wkrętakiem poluzować trzy śruby



zawiasów dolnych drzwiczek, które należy podnieść, jak to pokazano na poniższym rysunku. (Nie wolno ich całkowicie wykręcać)

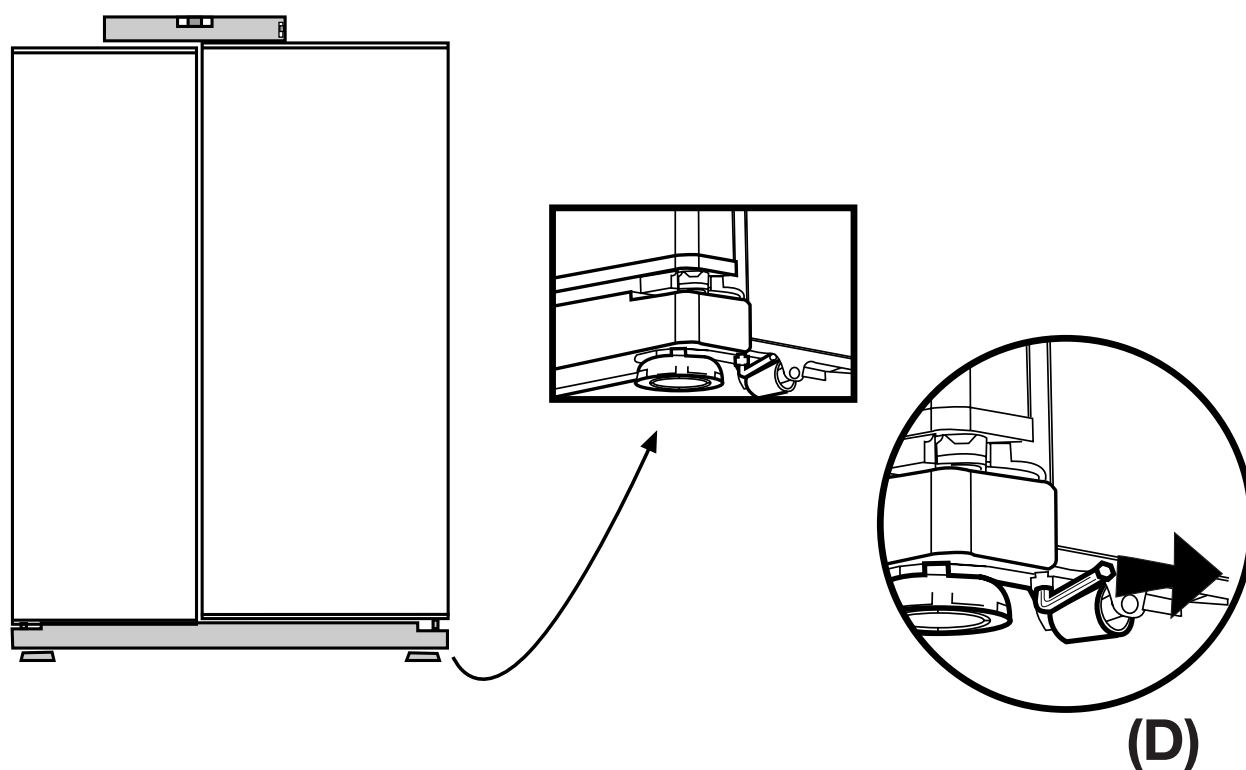
(Patrz Rysunek C)



- Jeśli drzwiczki komory zamrażalnika są niżej od drzwiczek komory chłodziarki, wyrównać ich poziomy obracając kluczem imbusowym M6 śrubę podnoszącą po stronie komory zamrażalnika w kierunku wskazanym strzałką, jak to pokazano na Rysunku D.

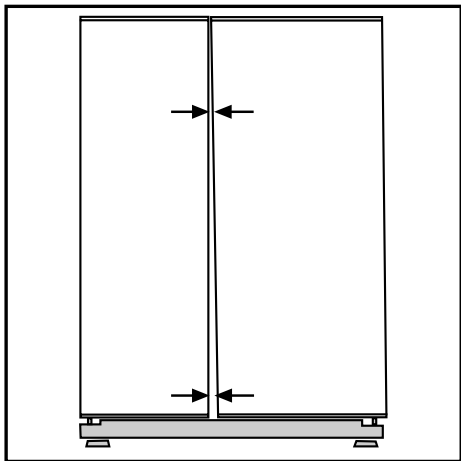
- Jeśli drzwiczki komory zamrażalnika są wyżej od drzwiczek komory chłodziarki, wyrównać ich poziomy obracając kluczem imbusowym M6 śrubę podnoszącą po stronie komory zamrażalnika w kierunku wskazanym strzałką, jak pokazano to na Rysunku D.

Po wyrównaniu poziomów drzwiczek poprzez podniesienie części przedniej za pomocą śruby podnoszącej, drzwiczki chłodziarki będą się zamykać poprawnie. Jeśli drzwiczki nie zamykają się poprawnie, może to mieć negatywny wpływ na sprawność chłodziarki.

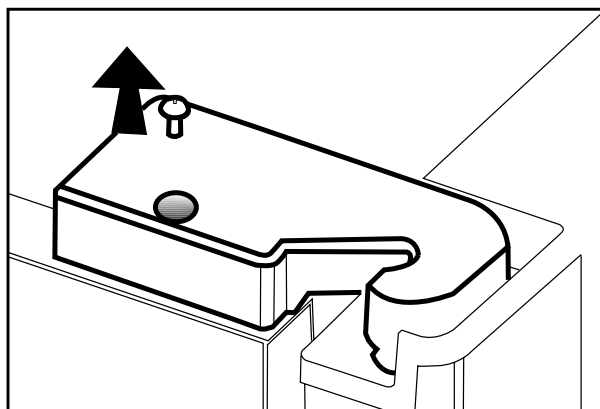


## Ustawianie szczeliny między górnymi drzwiczkami

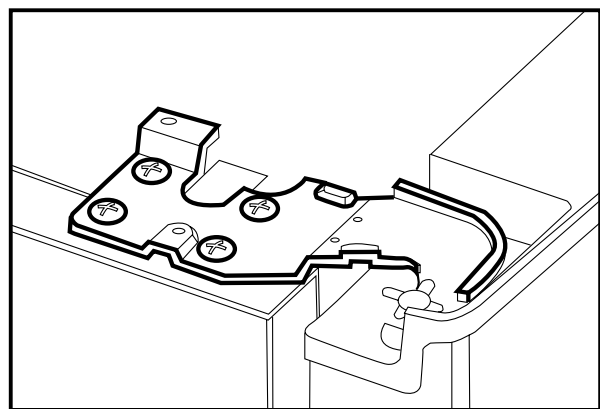
**i** Szczelinę pomiędzy drzwiczkami komory chłodzenia można ustawić tak, jak pokazano na rysunkach.



Przed ustawieniem wysokości drzwiczek należy opróżnić ich półki.

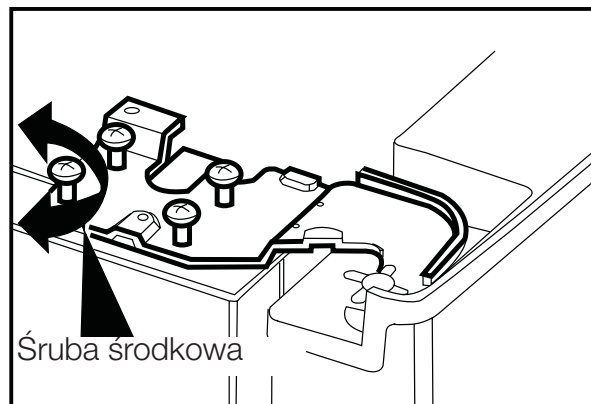
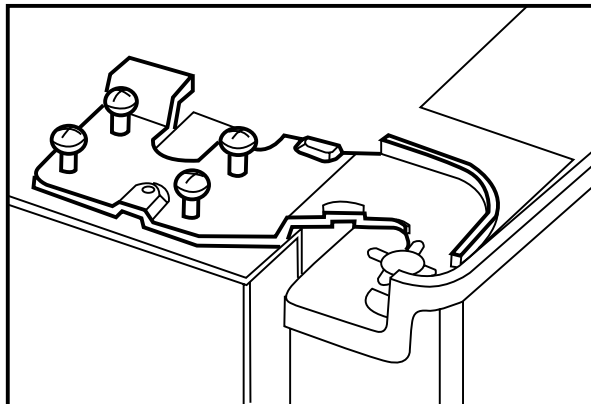


**Ponieważ w osłonach zawiasów drzwiczek zamrażalnika znajdują się przewody, przed zdjęciem osłon zawiasów należy odłączyć zasilanie chłodziarki.**



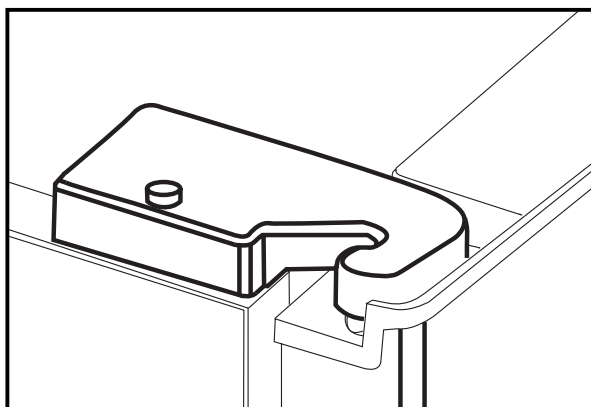
**i** Wkrętakiem odkręcić i wyjąć śrubę z pokrywy górnego zawiasu drzwiczek, które należy ustawić.

**i** Odkręcając śruby odpowiednio ustawić drzwiczki.



**i** Po ustawieniu umocować drzwiczki dokręcając śruby przy niezmienionym ustawieniu drzwiczek.

**i** Założyć z powrotem pokrywę zawiasu i umocować ją śrubą.



## 4 Przygotowanie

---

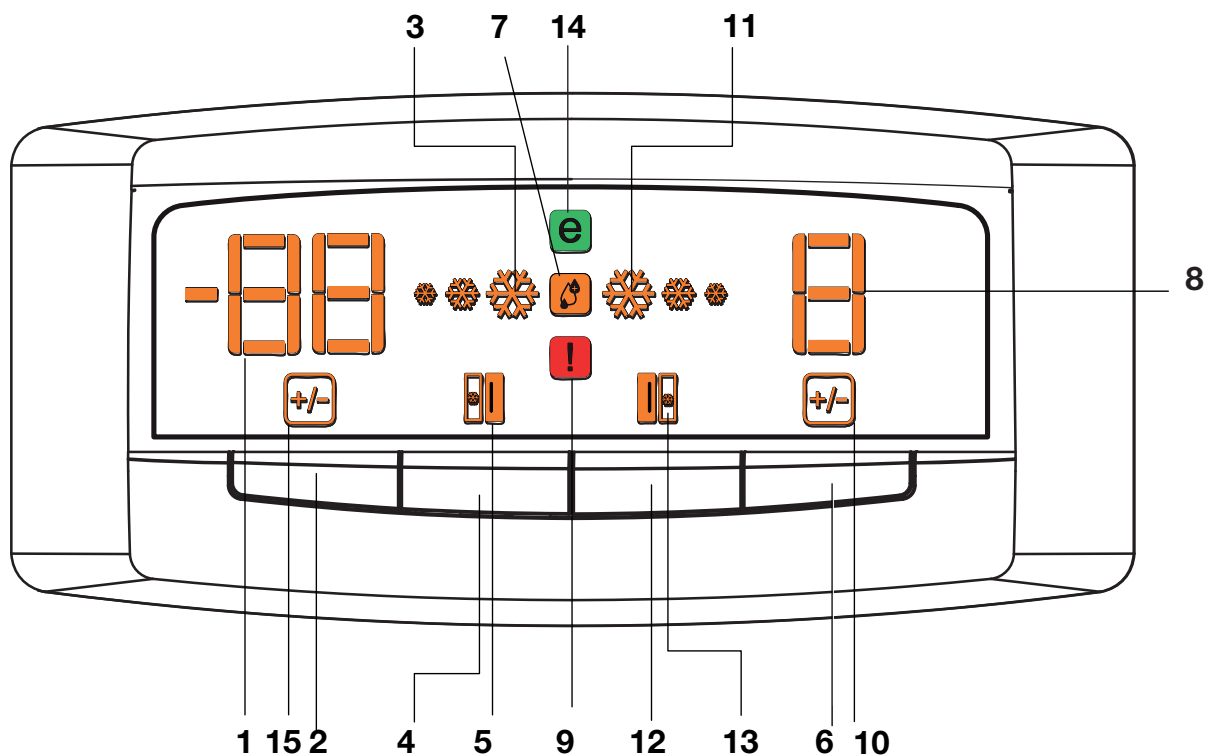
- i** Chłodziarkę tę należy zainstalować przynajmniej 30 cm od źródeł ciepła takich jak kuchenka, kaloryfer lub piec, i przynajmniej 5 cm od piecyka elektrycznego, a także że należy chronić ją przed bezpośrednim działaniem słońca.
- i** Temperatura otoczenia w pomieszczeniu, gdzie instaluje się chłodziarkę, powinna wynosić co najmniej 10°C. Ze względu na wydajność chłodziarki nie zaleca się użytkowania jej niższych temperaturach.
- i** Prosimy upewnić się, że wnętrze chłodziarki zostało dokładnie oczyszczone.
- i** Jeśli zainstalowane mają być dwie chłodziarki obok siebie, należy zachować co najmniej 2 cm odstęp między nimi.
- i** Przy pierwszym uruchomieniu chłodziarki prosimy przez pierwsze sześć godzin przestrzegać następujących instrukcji.
  - Nie należy zbyt często otwierać drzwiczek.
  - Należy uruchomić ją pustą, bez żadnej żywności we wnętrzu.
  - Nie należy wyłączać wtyczki chłodziarki z gniazdka. W przypadku awarii zasilania, której nie można samemu naprawić, prosimy zastosować się do ostrzeżenia z rozdziału „Zalecane rozwiązania problemów”.
- i** Oryginalne opakowanie i elementy z pianki należy zachować do przyszłego transportu lub przeprowadzek.



## 5 Obsługa chłodziarki

### Panel wskaźników

Dźwiękowe i wizualne funkcje panelu wskaźników pomagają użytkować chłodziarkę. Panel ten umożliwia uruchomienie i używanie wszystkich funkcji chłodziarki bez otwierania drzwiczek, ponieważ panel ten umieszczony jest po drugiej stronie.



1. Wskaźnik nastawienia temperatury w komorze zamrażania
2. Przycisk nastawienia temperatury w komorze zamrażania
3. Wskaźnik szybkiego zamrażania
4. Przycisk szybkiego zamrażania
5. Wskaźnik otwarcia drzwiczek zamrażalnika
6. Przycisk regulacji temperatury w komorze zamrażalnika
7. Wskaźnik wysokiej wilgotności
8. Wskaźnik nastawienia temperatury chłodzenia
9. Wskaźnik błędu
10. Wskaźnik zmiany temperatury w komorze chłodzenia
11. Wskaźnik szybkiego chłodzenia
12. Przycisk szybkiego chłodzenia
13. Wskaźnik otwarcia drzwiczek komory chłodzenia
14. Tryb oszczędny
15. Wskaźnik zmiany temperatury w komorze zamrażalnika

**i** Rysunki w niniejszej instrukcji to tylko schematy i nie muszą ściśle odpowiadać Waszemu modelowi chłodziarki. Jeśli pewnych części nie ma w nabytej chłodziarce, to znaczy, że odnoszą się do innych modeli.

## Nastawianie temperatury komory chłodzenia

Jeśli chcesz zmienić ustawienia temperatury chłodziarki, trzeba nacisnąć **“Przycisk regulacji temperatury w komorze chłodzenia”** aby zmienić ustawienie temperatury w komorze chłodzenia. Temperaturę w komorze chłodzenia można obniżać za każdym naciśnięciem tego przycisku (np. 8, 6, 4, 2, 8...)

## Nastawianie temperatury komory zamrażarki

Jeśli chcesz zmienić ustawienia temperatury chłodziarki, trzeba nacisnąć **“Przycisk regulacji temperatury w komorze zamrażalnika”** aby zmienić ustawienie temperatury w komorze zamrażalnika. Temperaturę w komorze zamrażalnika można obniżać za każdym naciśnięciem tego przycisku (np. -18, -20, -22, -24, -18...)

## Funkcja szybkiego zamrażania

Tej funkcji chłodziarki używa się do szybkiego zamrażania żywności po raz pierwszy włożonej do komory zamrażalnika, lub do szybszego wytworzenia lodu. Jeśli chcesz zamrozić żywność na dłużej, najpierw użyj funkcji szybkiego zamrażania. Szybkie zamrażanie to najzdrowszy sposób przechowywania żywności przez dłuższy czas. W trakcie procesu szybkiego zamrażania temperatura w komorze zamrażalnika chłodziarki spada do  $-27^{\circ}\text{C}$ .

**Jeśli chcesz skorzystać z funkcji "Szybkie zamrażanie"**, naciśnij przycisk szybkiego zamrażania. Za naciśnięciem tego przycisku zapala się wskaźnik szybkiego zamrażania. Wskaźnik regulacji temperatury w komorze zamrażalnika

wskazuje  $-27^{\circ}\text{C}$ . Przy uruchomionej funkcji szybkiego zamrażania komora ta chłodzi się poniżej nastawionej temperatury i mogą się zapalić wszystkie wskaźniki temperatury w komorze zamrażalnika. Funkcja szybkiego zamrażania działa najwyżej przez 24 godzin. Chłodziarka automatycznie wyjdzie z trybu szybkiego zamrażania po zakończeniu procesu szybkiego zamrażania, lampka wskaźnika szybkiego zamrażania zgasnie, a chłodziarka powróci do uprzednio nastawionej temperatury. Wskaźniki temperatury w komorze zamrażalnika będą stopniowo gasnąć, aż do osiągnięcia nastawionej temperatury. Jeśli włączysz tryb szybkiego zamrażania niechcący, lub chcesz przerwać ten proces, po prostu ponownie naciśnij przycisk **“Szybkie zamrażanie”** aby wyjść z tego trybu.

Jeśli chcesz zamrozić znaczne ilości świeżej żywności, naciśnij przycisk "Szybkie zamrażanie" na 24 godz. przed włożeniem jej do komory zamrażalnika.

## Funkcja szybkiego chłodzenia

Funkcji tej używać można do szybkiego chłodzenia żywności w komorze chłodzenia. Aby uruchomić tę funkcję należy przycisnąć przycisk szybkiego chłodzenia. W trakcie tego procesu zapali się wskaźnik szybkiego chłodzenia, a wskaźnik regulacji temperatury w komorze chłodzenia pokaże 1°C. Przy uruchomionej funkcji szybkiego chłodzenia temperatura w tej komorze spada poniżej nastawionych wartości. W tym czasie mogą się zapalić wszystkie wskaźniki temperatury w komorze chłodzenia. Proces szybkiego chłodzenia trwa ok. 2 godzin i na koniec tego okresu zgaśnie lampka wskaźnika szybkiego chłodzenia, a chłodzarka powróci do poprzednio nastawionej temperatury.

## Tacka na jajka

Na wybranych drzwiczkach lub półce można założyć uchwyt na jajka.

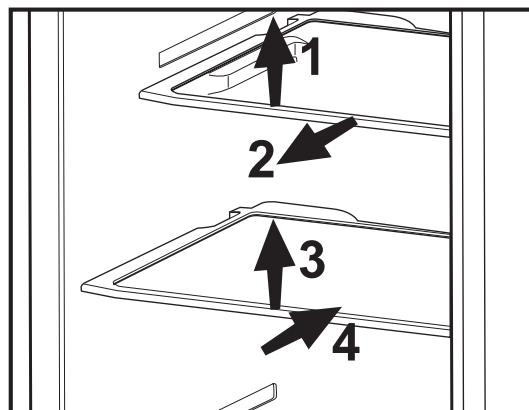
Nie wolno przechowywać uchwytu na jajka w komorze zamrażalnika.

## Półki wysuwane

Półki wysuwane można wyciągać lekko podnosząc ich przód i przesuwając do przodu i do tyłu. Wysuwane do przodu zatrzymują się w punkcie, w którym można sięgnąć po żywność umieszczona z tyłu półki, po lekkim podniesieniu ich przodu można je dalej wysuwać aż do następnego punktu zatrzymania, w którym można wyjąć półkę z komory.

Półkę należy mocno podtrzymywać od spodu, żeby się nie przewróciła. Półki wysuwane umieszczone są na szynach na bocznych ścianach komory chłodziarki, co umożliwia przenoszenie ich w górę lub w dół.

Aby umieścić półkę wysuwana w jej stałej pozycji należy wsunąć ją do samego końca.



## Suwaki nastawiania wilgotności w pojemniku na świeże warzywa

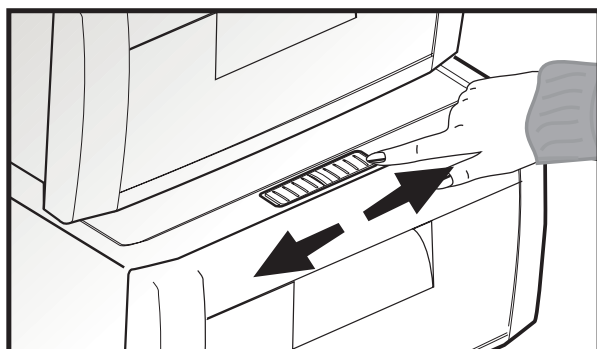
Pojemnik na świeże warzywa w tej chłodziarce służy specjalnie do zachowania świeżości warzyw bez utraty ich wilgoci. Zimne powietrze krąży zasadniczo wokół pojemnika na świeże warzywa i ilość powietrza przechodzącego przez ten pojemnik regulowana jest suwakami na przedniej stronie pokrywy pojemnika.

Suwaki nastawiania wilgotności można ustawić w odpowiedniej pozycji zgodnie z warunkami wilgotności i chłodzenia żywności w pojemniku.


Jeśli żywność ma być bardziej ochłodzona w pojemniku, otworzyć otwory suwaków nastawiania wilgotności, jeśli mniej i dłużej zachować jej wilgotność - przymknąć te otwory.

## Jonizowanie:

Powietrze jest jonizowane w systemie jonizowania w przewodach powietrza komory chłodzenia. W ten sposób usuwane są przenoszone w powietrzu bakterie, które powodują zapach.



## Zalecenia co do przechowywania mrożonek

- Pakowane mrożonki ze sklepu należy przechowywać zgodnie z instrukcjami ich producentów dla  (4-gwiazdkowych) komór do przechowywania mrożonek.
- Aby utrzymać wysoką jakość mrożonek, którą zapewnili im producenci i sprzedawcy detaliczni należy pamiętać, co następuje:
  1. Paczki z mrożonkami należy wkładać do zamrażalnika możliwie szybko po ich zakupie.
  2. Upewnić się, czy zawartość zaopatrzona jest w etykiety i daty produkcji.
  3. Nie przekraczaj terminów podanych na opakowaniu jako terminy przydatności do spożycia.

W razie przerwy w zasilaniu elektrycznością nie należy otwierać drzwiczek. Nawet jeśli awaria zasilania trwa aż do upływu „Czasu podnoszenia temperatury” podanego w rozdziale „Dane techniczne chłodziarki”, nie zaszkodzi to przechowywanym mrożonkom. Jeśli awaria zasilania trwa dłużej, żywność trzeba sprawdzić i w razie konieczności trzeba ją natychmiast spożyć albo zamrozić po zagotowaniu.

## Odszranianie

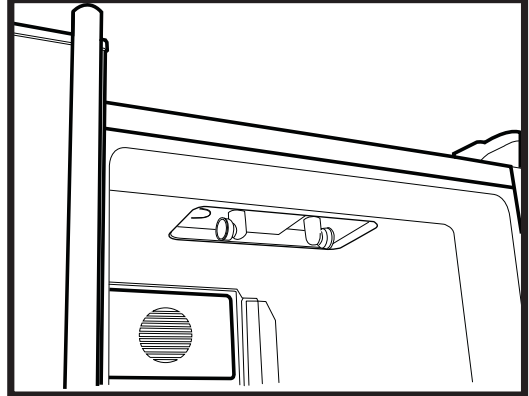
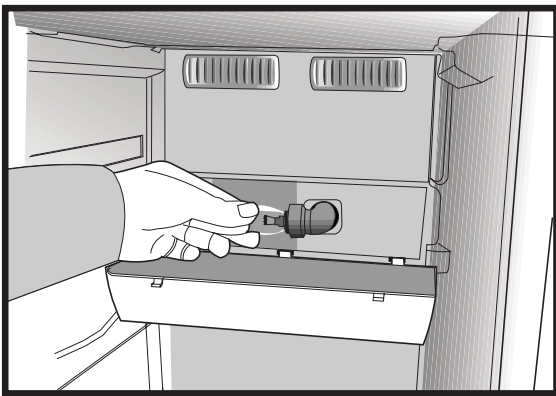
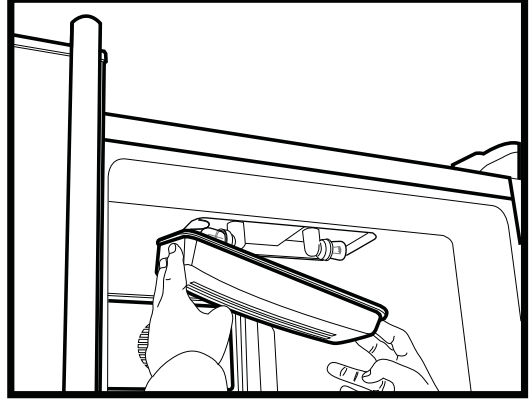
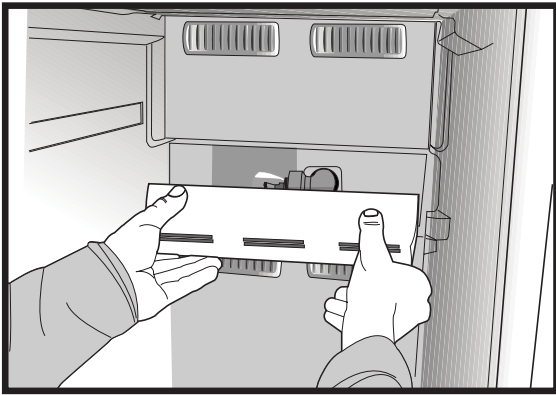
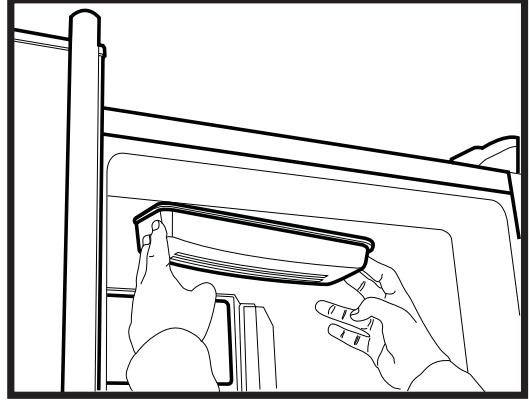
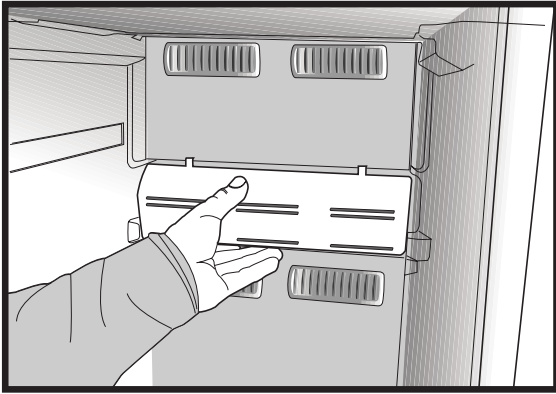
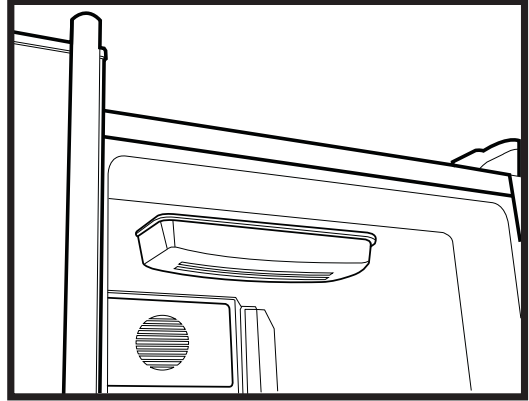
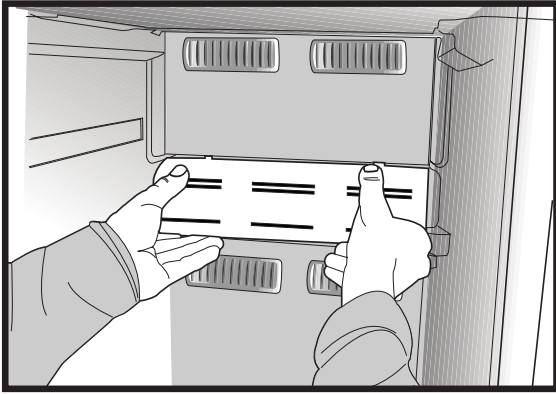
Komory chłodzenia i zamrażania odszraniają się automatycznie.

## Wymiana żarówki oświetlenia wewnętrznego

Jeśli światło się nie pali, należy postępować, jak następuje:

1. Wyłączyć zasilanie w gniazdku elektrycznym i wyjąć z niego wtyczkę przewodu zasilającego.
- Wyjąć wszystkie szuflady i półki, aby uzyskać łatwy dostęp do żarówki.
2. Osłony oświetlenia w komorze zamrażania i chłodzenia można otworzyć naciskając je rękami; najpierw należy zwolnić jeden bok, a następnie drugi naciskając jak pokazano na rysunkach.
3. Najpierw należy sprawdzić, czy żarówka nie poluzowała się, upewniwszy się, że jest dobrze wkręcona w oprawę. Ponownie włożyć wtyczkę zasilającą do gniazodka i włączyć chłodziarkę. Jeśli światło się pali, należy założyć osłonę lampki, wkładając jej tylne ucho i przyciskając ją tak, aby umieścić dwa przednie ucha.
4. Jeśli światło nadal się nie pali, należy wyłączyć zasilanie w gniazdku elektrycznym i wyjąć z niego wtyczkę przewodu zasilającego. Należy zastąpić żarówkę nową żarówką 15W (maks.) z trzonkiem gwintowanym E14 (SES).
5. Należy natychmiast ostrożnie pozbyć się przepalanej żarówki.

W żarówkę do wymiany można łatwo zaopatrzyć się w dobrym sklepie elektrycznym lub AGD.



## Kostkarka Icematic

\* Gdy naczynie na wodę **(1)** wyjmuje się z kostkarki Icematic w celu napełnienia, trzeba go włożyć z powrotem w ciągu dwóch minut po napełnieniu wodą. Dysze systemu otworzą się i komórki kostkarki Icematic automatycznie napełnią się wodą, gdy tylko pojemnik wsadzi się w jego miejsce. Lód będzie gotowy za ok. dwie godziny.

- Nie wyjmuj Icematic z obudowy, **(2)** aby wyjąć lód.
- Obróć pokrętkę zgodnie z ruchem wskazówek zegara, jak pokazano na ilustracji.

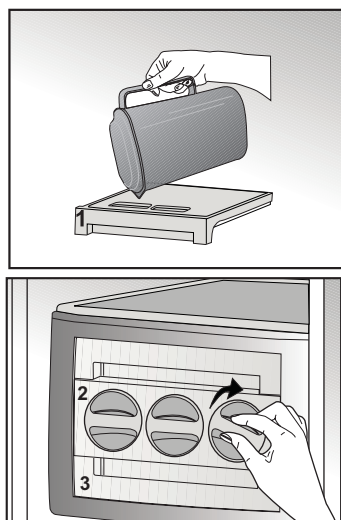
Kostki lodu wypadną z komórek do pojemnika na lód **(3)** poniżej.

- Teraz możesz wyjąć pojemnik na lód i podać kostki lodu.
- Jeśli chcesz, możesz trzymać kostki lodu w tym pojemniku.

**Pojemnik na lód służy do zbierania kostek lodu. Nie wlewaj do niego wody. W przeciwnym razie ulegnie uszkodzeniu.**

### O naczyniu na wodę

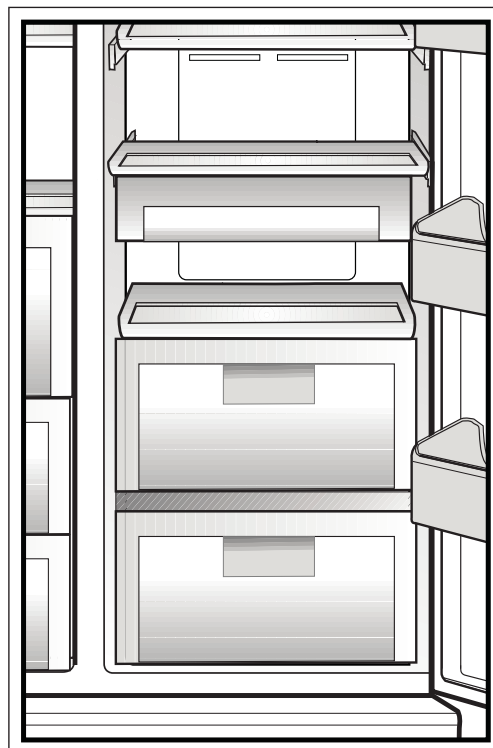
Wyjmij naczynie i napełnij je wodą. Po napełnieniu wodą naczynie trzeba wcisnąć w jego gniazdo, aż usłyszysz dźwięk "klik". Jeśli w naczyniu jest trochę lodu, odczekaj aż stopnieje. Naczynie na wodę ma pojemność ok 290 ml.



## Komora schładzania










Jeśli pojemnik pod półką ma być używany jako komora schładzania, należy go umieścić tak, jak pokazano na rysunku. W komorze schładzania przygotowuje się żywność do zamrożenia. Można w niej także przechowywać żywność w temperaturze o kilka stopni niższej niż w komorze zamrażania.

Pojemność wnętrza chłodziarki można zwiększyć wyjmując z niej pojemniki na żywność do schładzania. W tym celu pociągnąć pojemnik ku sobie, pojemnik oprze się o blokadę i zatrzyma. Można go wyjąć podnosząc o ok. 1 cm i pociągając ku sobie.






## 6 Konserwacja i czyszczenie

-  Do czyszczenia chłodziarki nie wolno używać benzyny, benzenu, ani podobnych substancji..
-  Zalecamy wyłączenie wtyczki lodówki z gniazdka przed jej czyszczeniem.
-  Do czyszczenia nie wolno stosować żadnych szorstkich narzędzi ani mydła, domowych środków czystości, detergentów, ani wosku do polerowania.
-  Umyj obudowę chłodziarki letnią wodą i wytrzyj ją do sucha.
-  Wnętrze należy czyścić ściereczką zamoczoną i wyżętą w roztworze jednej łyżeczki do herbaty sody oczyszczonej w 0,5 litra wody, a następnie wytrzeć do sucha.
-  Dbaj, aby do obudowy lampki i innych urządzeń elektrycznych nie dostała się woda.
-  Jeśli chłodziarka ma być nieużywana przez dłuższy okres czasu, należy ją wyłączyć i całkowicie opróżnić z żywności, oczyścić i pozostawić z uchylonymi drzwiczkami.
-  Regularnie sprawdzaj, czy uszczelki w drzwiczkach są czyste i nie osadzają się na nich cząstki żywności.
-  Aby wyjąć półki z drzwiczek, opróżnij je z zawartości, a potem po prostu naciśnij od podstawy ku górze.

### Zabezpieczenia powierzchni plastikowych

-  Nie wkładaj do chłodziarki oleju ani potraw smażonych na oleju w nieszczelnych pojemnikach, ponieważ może to uszkodzić jej plastikowe powierzchnie. W razie rozlania się lub rozsmarowania oleju na plastikowej powierzchni, od razu oczyść i opłukać ciepłą wodą jej zabrudzoną część.

## 7 Zalecane rozwiązania problemów

Prosimy zapoznać się z tym wykazem przed wezwaniem serwisu. Może to oszczędzić Wasz czas i pieniądze. Wykaz ten zawiera częste kłopoty, które nie wynikają z wadliwego wykonania ani zastosowania wadliwych materiałów. Niektóre z opisanych tu funkcji mogą nie występować w tym modelu urządzenia.

### Chłodziarka nie działa.

- Czy jest prawidłowo przyłączona do zasilania? Włożyć wtyczkę do gniazdka.
- Czy nie zadziałał bezpiecznik gniazdka, do którego jest przyłączona albo bezpiecznik główny? Sprawdzić bezpiecznik.

### Skropliny na bocznej ścianie komory chłodzenia (MULTIZONE, COOL CONTROL oraz FLEXI ZONE).

- Bardzo niska temperatura otoczenia. Częste otwieranie i zamykanie drzwiczek. Znaczna wilgoć w otoczeniu. Przechowywanie żywności zawierającej płyny w otwartych pojemnikach. Pozostawienie uchylonych drzwiczek. Przełączyć termostat na niższą temperaturę.
- Otwierać drzwiczki na krócej albo rzadziej.
- Nakrywać żywność przechowywaną w otwartych pojemnikach odpowiednim materiałem.
- Wycierać skropliny suchą ściereczką i sprawdzać, czy nadal się utrzymują.

### Sprężarka nie działa

- Zabezpieczenie termiczne sprężarki zadziała w trakcie nagłego zaniku zasilania lub załącza się i wyłącza, ponieważ nie wyrównało się jeszcze ciśnienie w systemie chłodzącym chłodziarki. Chłodziarka zacznie działać po ok. 6 minutach. Jeśli po upływie tego czasu chłodziarka nie zacznie działać, prosimy wezwać serwis.
- Chłodziarka jest w cyklu rozmrażania. Ton normalne dla chłodziarki z całkowicie automatycznym rozmrażaniem. Cykl rozmrażania następuje okresowo.
- Chłodziarka nie jest włączona do gniazdka. Upewnij się, że wtyczka jest prawidłowo włożona do gniazdka.
- Czy temperatura jest właściwie nastawiona?
- Być może w sieci nie ma prądu.

Chłodziarka pracuje często lub przez zbyt długi czas.

- Nowa chłodziarka jest szersza od poprzedniej. Jest to całkiem normalne. Duże chłodziarki działają przez dłuższy czas.
- Zbyt wysoka temperatura otoczenia. Jest to całkiem normalne.
- Chłodziarka została niedawno załączona lub jest przeładowana żywnością. Całkowite ochłodzenie chłodziarki może potrwać o parę godzin dłużej.
- Ostatnio włożono do chłodziarki znaczne ilości gorącej żywności. Gorące potrawy powodują dłuższą pracę chłodziarki zanim osiągnie temperaturę przechowywania.
- Zbyt często otwierano drzwiczki lub na dłużej pozostawiano je uchylone. Ciepłe powietrze, które weszło do chłodziarki, powoduje, że działa ona dłużej. Rzadziej otwierać drzwiczki.
- Pozostawiono uchylone drzwiczki komory chłodzenia lub zamrażania. Sprawdzić, czy drzwiczki są szczelnie zamknięte.
- Chłodziarka jest nastawiona na bardzo niską temperaturę. Nastawić chłodziarkę na wyższą temperaturę i odczekać, aż zostanie ona osiągnięta.
- Uszczelka w drzwiczkach chłodziarki lub zamrażalnika jest zabrudzona, uszkodzona, pęknięta lub nieprawidłowo włożona. Oczyszczyć lub wymienić uszczelkę. Uszkodzona/pęknięta uszczelka powoduje, że chłodziarka pracuje przez dłuższy czas, aby utrzymać bieżącą temperaturę.

Temperatura zamrażalnika jest bardzo niska, a temperatura chłodzenia jest wystarczająca.

- Chłodziarka jest nastawiona na bardzo niską temperaturę zamrażania. Nastawić chłodziarkę na wyższą temperaturę zamrażania i sprawdzić.

Temperatura chłodzenia jest bardzo niska, a temperatura zamrażania jest wystarczająca.

- Chłodziarka nastawiona jest na bardzo niską temperaturę chłodzenia. Nastawić chłodziarkę na wyższą temperaturę chłodzenia i sprawdzić.

Żywność przechowywana w szufladach komory zamraża.

- Chłodziarka nastawiona jest na bardzo niską temperaturę chłodzenia. Nastawić chłodziarkę na wyższą temperaturę chłodzenia i sprawdzić.

Bardzo wysoka temperatura w chłodziarce lub zamrażalniku.

- Chłodziarka nastawiona jest na bardzo wysoką temperaturę chłodzenia. Nastawienia chłodziarki wpływają na temperaturę w zamrażalniku. Zmienić temperaturę w chłodziarce lub zamrażalniku aż osiągnie odpowiedni poziom.
- Zbyt często otwierano drzwiczki lub na dłużej pozostawiano je uchylone, należy je rzadziej otwierać.
- Drzwiczki pozostawiono uchylone, należy je dokładnie zamknąć.
- Ostatnio włożono do chłodziarki znaczne ilości gorącej żywności. Odczekać, aż temperatura w chłodziarce lub zamrażalniku osiągnie właściwy poziom.
- Chłodziarkę załączono niedawno. Całkowite chłodzenie chłodziarki trochę potrwa.

Gdy chłodziarka pracuje, poziom hałasu wrasta.
<ul style="list-style-type: none"> <li>Z powodu zmian temperatury otoczenia zmieniły się charakterystyki eksploatacyjne chłodziarki. Jest to stan normalny, nie zaś awaria.</li> </ul>
Drgania lub hałas
<ul style="list-style-type: none"> <li>Nierówna lub słaba podłoga. Chłodziarka podskakuje, gdy porusza się ją powoli. Sprawdź, czy podłoga jest równa i wytrzymuje ciężar chłodziarki.</li> <li>Hałas powodują rzeczy położone na chłodziarce. Należy usunąć przedmioty ustawione na chłodziarce.</li> </ul>
Z chłodziarki dochodzą odgłosy przelewania się i syczenia płynu.
<ul style="list-style-type: none"> <li>Zgodnie z zasadą funkcjonowania chłodziarki następują przepływy płynu lub gazu. Jest to stan normalny, nie zaś awaria.</li> </ul>
Odgłos jakby szumu wiatru.
<ul style="list-style-type: none"> <li>Do ochłodzenia chłodziarki użyto wentylatorów. Jest to stan normalny, nie zaś awaria.</li> </ul>
Skropliny na wewnętrznych ściankach chłodziarki.
<ul style="list-style-type: none"> <li>Ciepła i wilgotna pogoda sprzyja oblodzeniu i skraplaniu. Jest to stan normalny, nie zaś awaria.</li> <li>Drzwiczki mogą być uchylone, upewnij się, że są całkowicie zamknięte.</li> <li>Zbyt często otwierano drzwiczki lub na dłużej pozostawiano je uchylone, należy je rzadziej otwierać.</li> </ul>
Na zewnątrz chłodziarki, lub pomiędzy drzwiczkami pojawia się wilgoć.
<ul style="list-style-type: none"> <li>Być może w powietrzu jest wilgoć; to całkiem normalne przy wilgotnej pogodzie. Gdy wilgoć w powietrzu ustąpi, skropliny znikną.</li> </ul>
Nieprzyjemna woń wewnątrz chłodziarki.
<ul style="list-style-type: none"> <li>Trzeba oczyścić wnętrze chłodziarki. Oczyść wnętrze chłodziarki gąbką namoczoną w ciepłej lub gazowanej wodzie.</li> <li>Woń powodują jakieś pojemniki lub materiały opakowaniowe. Używać innych pojemników lub materiałów opakowaniowych innej marki.</li> </ul>
Drzwiczki są niezamknięte.
<ul style="list-style-type: none"> <li>W zamknięciu drzwiczek przeszkadzają paczki z żywnością. Przełożyć paczki przeszkadzające zamknięciu drzwiczek.</li> <li>Chłodziarka nie stoi całkiem pionowo na podłodze i kiwa się przy lekkim poruszeniu. Wyregulować wysokość nóżek.</li> <li>Podłoga nie jest równa lub dość wytrzymała. Sprawdzić, czy podłoga jest równa i wytrzymuje ciężar chłodziarki.</li> </ul>
Szuflady do przechowywania świeżych warzyw się zatarły.
<ul style="list-style-type: none"> <li>Żywność dotyka sufitu szuflady. Zmienić ułożenie żywności w szufladzie.</li> </ul>

## Nejprve si přečtete tento návod!

Vážený zákazníku,

Doufáme, že výrobek, který byl vyroben v moderních závodech a kontrolován v souladu s nejpřísnějšími postupy kontroly kvality, vám zajistí účinný provoz.

Z tohoto důvodu vám doporučujeme pozorně si přečíst celý návod k výrobku, než jej použijete, a uskladněte je v dosahu pro budoucí použití.

## Tento návod

- Pomůže vám s použitím spotřebiče rychle a bezpečně.
- Návod si přečtete dříve, než produkt nainstalujete a zapnete.
- Dodržujte pokyny, zejména ty, které se týkají bezpečnosti.
- Návod uschovejte na snadno přístupném místě, možná jej budete později potřebovat.
- Kromě toho si přečtete i další dokumenty dodané s výrobkem.

Nezapomeňte, že tento návod může platit i pro jiné modely.

## Symbyly a jejich popis

Tento návod obsahuje následující symboly:



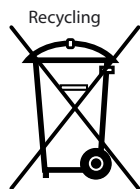
Důležité informace nebo užitečné tipy k použití.



Varování před nebezpečnými situacemi pro život a majetek.



Varování na elektrické napětí.



Tento výrobek nese symbol pro selektivní třídění platný pro elektrický a elektronický odpad (WEEE).

To znamená, že s tímto výrobkem je nutno manipulovat podle evropské směrnice 2002/96/ES, aby byl recyklován nebo demontován s minimálním dopadem na životní prostředí. Další informace vám podají místní nebo oblastní úřady.

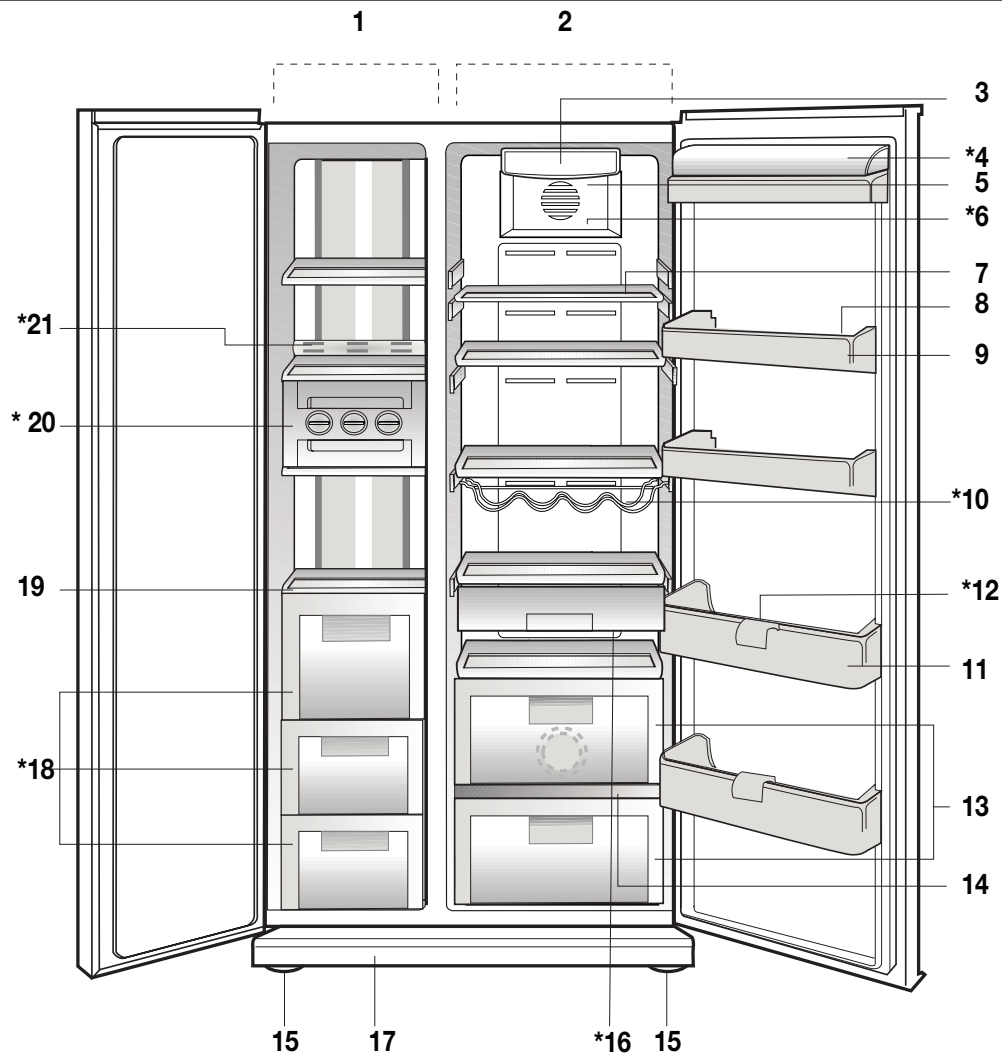
Elektronické výrobky nezahrnuté do procesu selektivního třídění jsou potenciálně nebezpečné pro životní prostředí a zdraví osob kvůli přítomnosti nebezpečných látek.

# OBSAH

---

<b>1 Chladnička</b>	<b>3</b>	<b>4 Příprava</b>	<b>12</b>
<b>2 Důležitá bezpečnostní upozornění</b>	<b>4</b>	<b>5 Používání chladničky</b>	<b>13</b>
Určené použití.....	4	Panel ukazatelů.....	13
Obecná bezpečnost.....	4	Nastavení teploty prostoru chladničky	14
Bezpečnost dětí.....	6	Nastavení teploty prostoru mrazničky .	14
Upozornění HCA.....	6	Funkce rychlého zmrazení .....	14
Postup pro úsporu energie.....	6	Funkce rychlého chlazení .....	15
<b>3 Instalace</b>	<b>7</b>	Tácek na vejce .....	15
Body ke zvážení při přepravě chladničky	7	Posuvné police trupu .....	15
Než chladničku zapnete .....	7	Posuvné ovladače vlhkosti v prostoru pro čerstvé potraviny.....	16
Zapojení do sítě .....	8	Ion: .....	16
Likvidace obalu .....	8	Doporučení pro uschování mražených potravin .....	17
Likvidace vaší staré chladničky .....	8	Odmrazování .....	17
Umístění a instalace .....	8	Výměna vnitřní žárovky.....	17
Seřízení rovnováhy .....	9	Prostor chlazení .....	19
Úprava mezery mezi horními dveřmi ...	11	<b>6 Údržba a čištění</b>	<b>20</b>
		Ochrana plastových ploch .....	20
		<b>7 Doporučená řešení problémů</b>	<b>21</b>

# 1 Chladnička



- |     |                                       |     |                                      |
|-----|---------------------------------------|-----|--------------------------------------|
| 1.  | Prostor mrazničky                     | 12. | Držák lahví                          |
| 2.  | Prostor chladničky                    | 13. | Prostor pro čerstvé potraviny        |
| 3.  | Vnitřní osvětlení prostoru chladničky | 14. | Kryt prostoru pro čerstvé potraviny  |
| 4.  | Víko na máslo a sýr                   | 15. | Nastavitelné přední nožky            |
| 5.  | Větrák                                | 16. | Podnos                               |
| 6.  | Ionizér                               | 17. | Víko větrání                         |
| 7.  | Skleněné police prostoru chladničky   | 18. | Zásuvky prostoru mrazničky           |
| 8.  | Táček na vejce                        | 19. | Skleněné police prostoru mrazničky   |
| 9.  | Police ve dveřích chladničky          | 20. | Automat na led                       |
| 10. | Vinotéka                              | 21. | Vnitřní osvětlení prostoru mrazničky |
| 11. | Police na lahve                       |     | * VOLITELNÉ                          |

**i** Obrázky uvedené v tomto návodu k použití jsou schematické a nemusí přesně korespondovat s vaším výrobkem. Pokud zobrazené části nejsou obsaženy v produktu, který jste zakoupili, jde o součásti jiných modelů.



## 2 Důležitá bezpečnostní upozornění

Prostudujte si následující informace. Pokud je nedodržíte, může dojít ke zranění osob nebo poškození materiálu. Jinak neplatí záruka ani jiné závazky.

Doba životnosti zakoupeného zařízení je 10 let. Toto je doba pro uschování náhradních dílů nutných pro předepsaný provoz zařízení.

### Určené použití

- Tento spotřebič má být používán v domácnosti a podobných prostředích, jako jsou
  - kuchyňské oblasti pro zaměstnance v obchodech, kancelářích a jiných pracovních prostředích;
  - farmy a klienti v hotelích, motelích a jiných ubytovacích zařízeních;
  - hostinské pokoje;
  - stravovací a podobné nemaloobchodní prostředí.
- Nepoužívejte přístroj venku. Není vhodné jej používat venku, i když je prostor zastřešen.

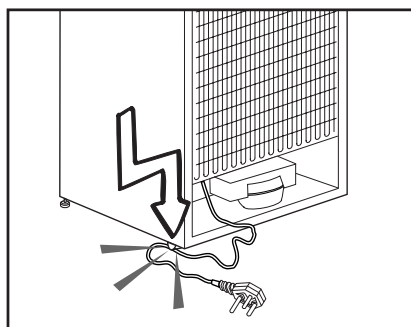
### Obecná bezpečnost

- Když chcete výrobek zlikvidovat/sešrotovat, doporučujeme kontaktovat autorizovaný servis, kde zjistíte nezbytné informace a autorizované orgány.
- Veškeré otázky a problémy související s chladničkou vám pomůže vyřešit autorizovaný servis. Nezasahujte do chladničky a nikomu toto nedovolte bez upozornění autorizovaného servisu.
- Nejezte zmrzlinu a kostky ledu bezprostředně poté, co je vyjmete z prostoru mrazničky! (Může dojít k omrznutí úst.)

- Nevkládejte tekuté nápoje v lahvích a plechovkách do prostoru mrazničky. Jinak by mohlo dojít k jejich explozi.
- Nedotýkejte se mražených potravin rukou; mohou se vám přilepit k ruce.
- Výpary a parní čisticí materiály nikdy nepoužívejte při čištění a odmrazování chladničky. V těchto případech by se totiž výpary mohly dostat do styku s elektrickými součástmi a způsobit zkrat či zásah elektrickým proudem.
- Nikdy nepoužívejte součásti na chladničce, jako je ochranná deska, jako dvířka nebo podprěru nebo schůdek.
- Nepoužívejte elektrická zařízení uvnitř chladničky.
- Nepoškozujte chladicí obvod, kde obíhá chladicí médium, vrtáním nebo řezáním. Chladicí médium by mohlo vytéct v místech porušení plynových kanálů výparníku, prodloužených trubek nebo povrchových vrstev a způsobit podráždění kůže a zranění očí.
- Nezakrývejte a neblokujte větrací otvory na chladničce žádným materiálem.
- Opravy elektrického vybavení smí provádět jen kvalifikovaný odborník. Opravy provedené nekompetentními osobami mohou vést k ohrožení uživatele.
- V případě poruchy nebo při údržbě či opravách odpojte napájení chladničky buď vypnutím příslušné pojistky nebo odpojením spotřebiče.
- Netahejte za kabel – tahejte za zástrčku.

- Nápoje umísťujte zavŕené a ve svislé poloze.
- Neskladujte výbušné látky, jako jsou lahve s aerosolem s hořlavými hnacími plyny v tomto spotřebiči.
- Nepoužívejte mechanické nástroje nebo jiné prostředky k urychlení procesu odmrazení s výjimkou těch, které doporučuje výrobce.
- Tento spotřebič není určen pro použití osobami (včetně dětí) se sníženými fyzickými, smyslovými nebo duševními schopnostmi nebo nedostatečnou zkušeností a znalostmi, pokud jsou bez dohledu nebo pokynů o použití spotřebiče od osob zodpovídajících za jejich bezpečnost.
- Nepoužívejte poškozenou chladničku. Kontaktujte servis v případě jakýchkoli pochybností.
- Elektrická bezpečnost chladničky je zaručena pouze tehdy, pokud systém uzemnění ve vašem domě splňuje příslušné normy.
- Vystavení výrobku dešti, sněhu, slunci a větru je nebezpečné z hlediska elektrické bezpečnosti.
- Kontaktujte autorizovaný servis, pokud dojde k poškození napájecího kabelu atd., aby nedošlo k ohrožení osob.
- Během instalace nikdy nezapojíte chladničku k zásuvce. Jinak může dojít k ohrožení zdraví s následkem smrti.
- Tato chladnička je určena výhradně k ukládání potravin. Neměla by být používána k žádnému jinému účelu.
- Štítek popisující technické parametry výrobku se nachází na levé vnitřní straně chladničky.
- Nepřipojujte chladničku k systémům pro úsporu elektrické energie, mohlo by dojít k poškození výrobku.

- Pokud svítí modré světlo na chladničce, nedívejte se do modrého světla optickými zařízeními.
- Pokud je odpojeno napájení manuálně ovládaných chladniček, počkejte nejméně 5 minut, než napájení znovu zapojíte.
- Tento návod k výrobku předejte dalšímu majiteli chladničky při změně majitele.
- Při přesouvání chladničky zajistěte, aby nedošlo k poškození napájecího kabelu. Aby nedošlo k požáru, napájecí kabel by neměl být překroucený. Těžké předměty nestavte na napájecí kabel. Když zapojujete chladničku, nesahejte na zásuvku mokřými rukama.



- Nezapojíte chladničku, pokud je zásuvka uvolněna.
- Nestříkejte vodu přímo na vnitřní ani vnější část chladničky z bezpečnostních důvodů.
- Nestříkejte hořlavé materiály, jako je propan atd., do blízkosti chladničky, kvůli riziku vznícení a výbuchu.
- Neumísťujte na chladničku předměty naplněné vodou, mohlo by dojít k zásahu elektrickým proudem nebo požáru.
- Nepřepĺňujte chladničku přílišným množstvím potravin. Příliš velké množství jídla může vypadnout při otevření dveří s následkem zranění nebo poškození chladničky. Neumísťujte na chladničku žádné předměty, mohly by spadnout při otevírání nebo zavírání dveří chladničky.

- Materiály, které vyžadují určité teploty, jako jsou vakcíny, léky citlivé na teplotu, vědecké materiály atd., v této chladničce neskladujte.
- Pokud chladničku nebudete používat delší dobu, doporučujeme ji odpojit ze sítě. Problém izolace elektrického kabelu může vést k požáru.
- Koncovka elektrické zástrčky by se měla pravidelně čistit, jinak může způsobit požár.
- Chladnička se může pohybovat, pokud nastavitelné nožky naumístíte pevně na zem. Pomocí nastavitelných nožek můžete zajistit pevné postavení chladničky na podlaze.
- Pokud chladnička obsahuje kliku na dveřích, netahejte chladničku za kliku při přesouvání výrobku, mohlo by dojít k odpojení kliky od chladničky.
- Pokud musí být zařízení v provozu vedle jiné chladničky nebo mrazničky, vzdálenost mezi zařízeními musí být nejméně 8 cm. Jinak se může objevovat kondenzace na sousedících bočních stěnách.
- Tlak vody ve vodovodu nesmí klesnout pod 1 bar. Tlak vody nesmí překročit 8 barů.
- Používejte jen pitnou vodu.

## Bezpečnost dětí

- Pokud mají dvířka zámek, měli byste skladovat klíč mimo dosah dětí.
- Děti by měly být pod dozorem, aby se zajistilo, že si nebudou hrát se spotřebičem

## Upozornění HCA

**Pokud je váš výrobek vybaven chladicím systémem s obsahem R600a:**

Tento plyn je hořlavina. Dávejte tedy pozor, abyste nepoškodili systém chlazení a potrubí během použití a přepravy. V případě poškození udržujte výrobek mimo potenciální zdroje hoření, které mohou způsobit vznícení výrobku, a vyvětrejte místnost, v níž je přístroj umístěn.

### **Ignorujte upozornění, pokud je váš výrobek vybaven chladicím systémem s obsahem R134a.**

Typ plynu použitý při výrobě vašeho výrobku najdete na štítku umístěném vlevo uvnitř přístroje.

Nikdy neodhazujte výrobek do ohně.

## Postup pro úsporu energie

- Nenechávejte dvířka chladničky otevřená delší dobu.
- Nevkládejte do chladničky horké potraviny nebo nápoje.
- Nepřepíňujte chladničku, abyste nebránili oběhu vzduchu uvnitř.
- Neinstalujte chladničku na přímé sluneční světlo nebo do blízkosti tepelných spotřebičů, jako je trouba, myčka nebo radiátor.
- Dávejte pozor, abyste nechávali potraviny v uzavřených nádobách.
- Maximální množství potravin lze vložit do prostoru mrazničky, pokud vyjmete polici nebo zásuvku mrazničky. Deklarovaná hodnota spotřeby chladničky byla stanovena po vyjmutí police nebo zásuvky prostoru mrazničky a s maximálním množstvím vložených potravin. Nehrozí žádné nebezpečí pro použití police nebo zásuvky podle tvarů a velikostí mražených potravin.

### 3 Instalace

**i** Nezapomeňte, že výrobce neodpovídá za nedodržení informací uvedených v návodu k použití.

#### Body ke zvážení při přepravě chladničky

1. Chladničku je nutno vyprázdnit a vyčistit před jakoukoli přepravou.
2. Police, příslušenství, prostor pro čerstvé potraviny atd. v chladničku je nutno řádně upoutat lepicí páskou, aby nedocházelo k vibracím.
3. Obaly je nutno upevnit silnými páskami a lany a je nutno dodržovat pravidla pro přepravu vytištěná na obalu.

#### **i** Vždy si pamatujte...

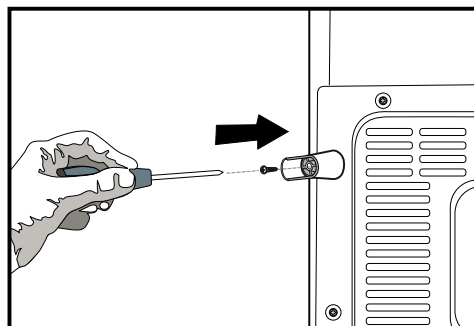
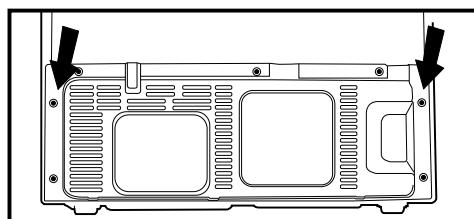
Každý recyklovaný materiál je nezbytný zdroj pro přírodu a naše národní zdroje.

Pokud chcete přispět k recyklaci obalových materiálů, další informace získáte od orgánů ochrany životního prostředí nebo místních úřadů.

#### Než chladničku zapnete

Než začnete používat chladničku, zkontrolujte následující:

1. Je vnitřek chladničky suchý a může za ní volně obíhat vzduch?
2. Vyčistěte vnitřek chladničky podle kapitoly „Údržba a čištění“.
3. Zasuňte 2 plastové klínky do zadních větracích otvorů dle následujícího obrázku. Odšroubujte stávající a použijte šrouby ze stejného sáčku, v němž byly klínky. Plastové klínky zajistí potřebnou vzdálenost mezi vaší chladničkou a zdí, aby se umožnilo proudění vzduchu.



4. Zapojte chladničku do sítě. Po otevření dvířek se rozsvítí vnitřní osvětlení.
5. Uslyšíte hluk při startování kompresoru. Kapalina a plyn v chladicí soustavě mohou také vydávat zvuky, i když kompresor neběží, což je poměrně normální.
6. Přední kraje chladničky mohou být teplé. Je to zcela normální. Tyto oblasti mají být teplé, aby nedocházelo ke kondenzaci.

## Zapojení do sítě

Připojte chladničku k uzemněné zásuvce, která je chráněna pojistkou vhodné kapacity.

Důležité:

- ⚠ Spojení musí být v souladu s národními předpisy.
- ⚠ Napájecí kabel musí být po instalaci snadno dostupný.
- ⚠ Specifikované napětí musí být rovné napětí v síti.
- ⚠ Prodlužovací kabely a vícecestné zásuvky nepoužívejte na spojení.
- ⚠ Poškozený napájecí kabel musí vyměnit kvalifikovaný elektrikář.
- ⚠ Spotřebič nesmíte používat, dokud není opraven! Hrozí riziko zásahu elektrickým proudem!

## Likvidace obalu

⚠ Obalové materiály mohou být pro děti nebezpečné. Udržujte materiály mimo dosah dětí nebo je zlikvidujte v souladu s pokyny zpracování odpadů. Nelikvidujte je s běžným domovním odpadem.

Balení chladničky je z recyklovatelných materiálů.

## Likvidace vaší staré chladničky

Starý přístroj zlikvidujte tak, abyste neohrozili životní prostředí.

- ⚠ Informace o likvidaci chladničky získáte u autorizovaného prodejce nebo odpadového odboru vašeho města.
- ⚠ Než chladničku použijete, odřízněte zástrčku a v případě, že jsou na dveřích zámky, zneškodněte je, aby nedošlo k ohrožení dětí.

## Umístění a instalace

⚠ Pozor: Během instalace nikdy nezapojujte chladničku k zásuvce. Jinak může dojít k ohrožení zdraví s následkem smrti.

⚠ Pokud nejsou vstupní dveře do místnosti, v níž chladničku nainstalujete, dostatečně široké, aby chladnička prošla, kontaktujte autorizovaný servis a nechte sejmout dveře chladničky a protáhněte je bokem.

1. Chladničku umístěte na místo, které umožňuje snadnou obsluhu.

2. Chladničku umístěte mimo zdroje tepla, vlhka a přímé světlo.

3. Kolem chladničky musí být dostatečný prostor pro ventilaci, aby se zajistila účinnost provozu. Pokud máte chladničku umístit do výklenku, musí být nejméně 5 cm od stropu a 5 cm od stěn.

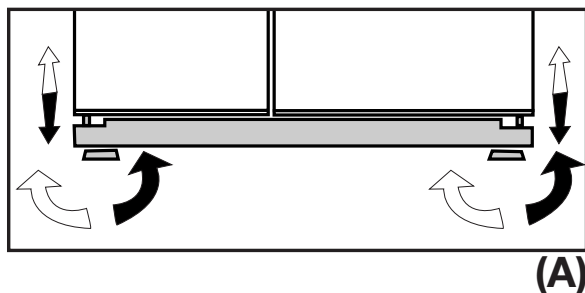
Pokud je na podlaze koberec, musíte zvednout produkt o 2,5 cm nad zem.

4. Umístěte chladničku na rovnou podlahu, aby nedocházelo ke kymácení.

5. Neskladujte chladničku při teplotách pod 10°C.

## Seřízení rovnováhy

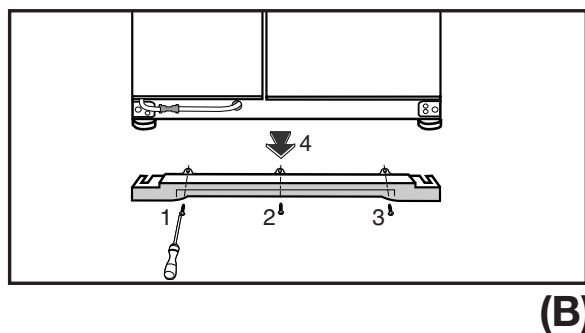
Pokud je vaše chladnička nevyvážená; Chladničku vyrovnáte tak, že otáčíte předními nožkami podle obrázku. Obr. A) Roh, kde jsou umístěny nožky, se sníží, když otáčíte ve směru černé šipky, zvedne se, když otáčíte opačným směrem. Pokud vám někdo pomůže nadzvednout chladničku, proces se usnadní.



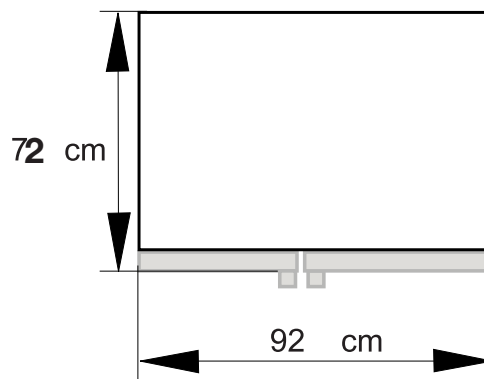
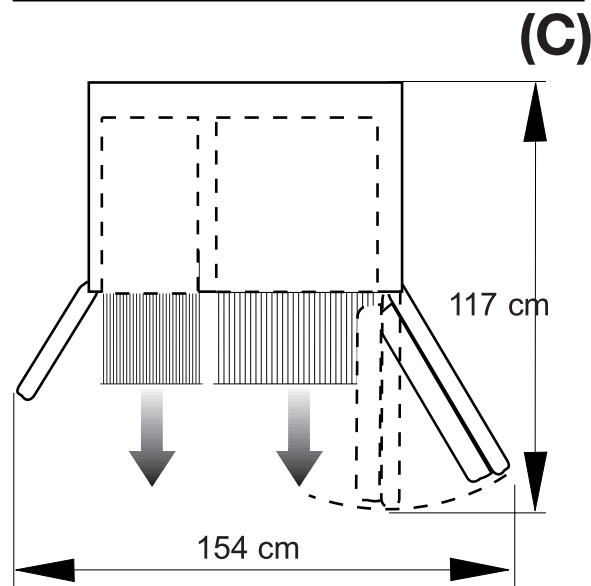
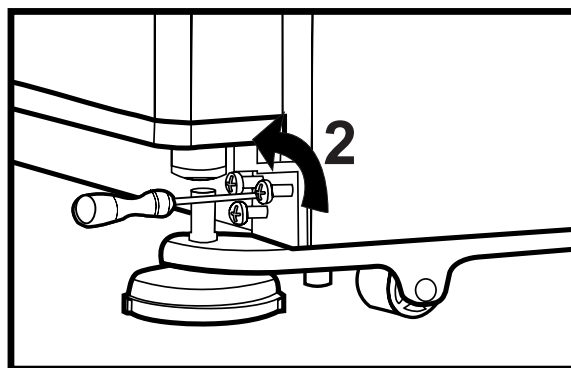
## Nastavení výšky dveří

V případě problému s vyrovnáním dveří navzájem je možné je znovu zarovnat svislým zvedáním v níže uvedeném pořadí. Ověřte, zda jsou police ve dveřích prázdné, když nastavujete výšku dveří.

1. Sejměte dolní větrací kryt odšroubováním šroubů dle ilustrace. (Viz obr. B)



2. Povolte tři šrouby v závěsech dolních dveří, které chcete zvednout, pomocí šroubováku dle ilustrace níže. (Nesnímejte je zcela) (Viz obr. C)

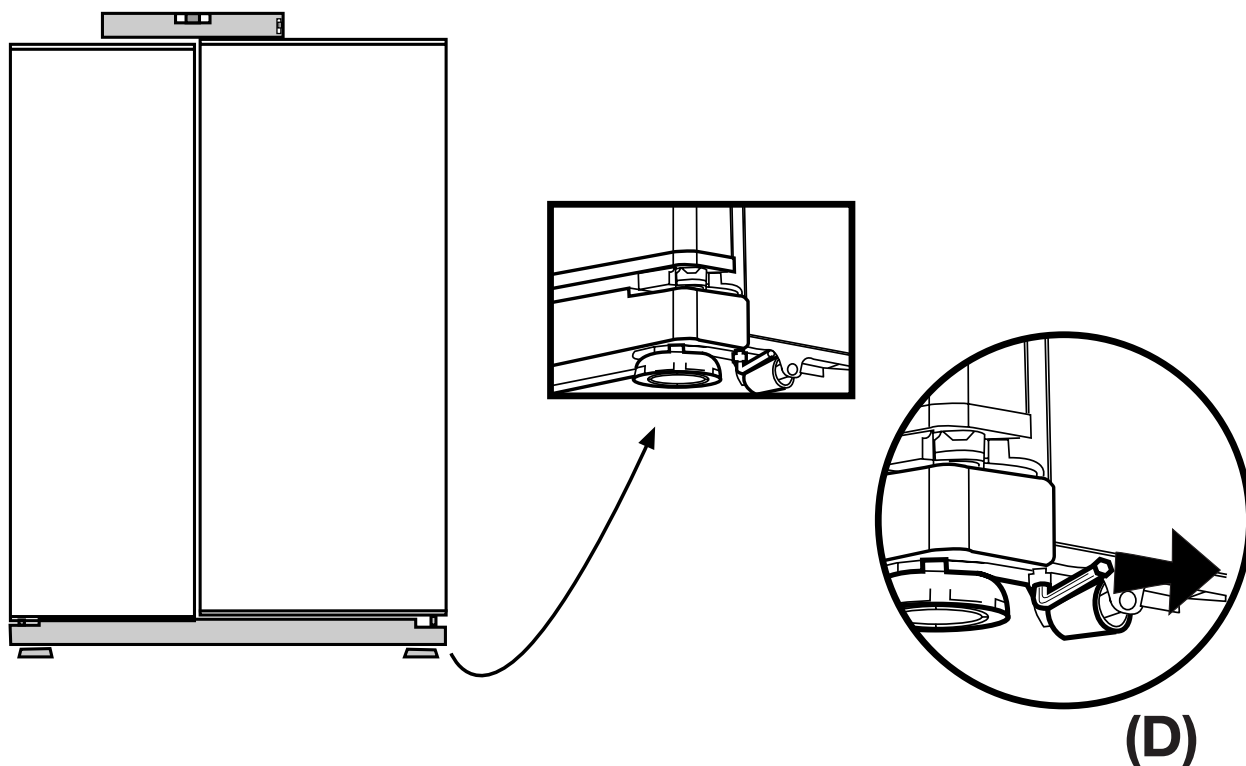




- Pokud jsou dveře prostoru mrazničky níže než dveře chladničky, umístěte je na stejnou úroveň otáčením šroubu zvedání na prostoru mrazničky ve směru šipky, a to pomocí klíče imbusového klíče M6 ve směru na obr. D.

- Pokud jsou dveře prostoru mrazničky výše než dveře chladničky, umístěte je na stejnou úroveň otáčením šroubu zvedání na prostoru mrazničky ve směru šipky, a to pomocí klíče imbusového klíče M6 ve směru na obr. D.

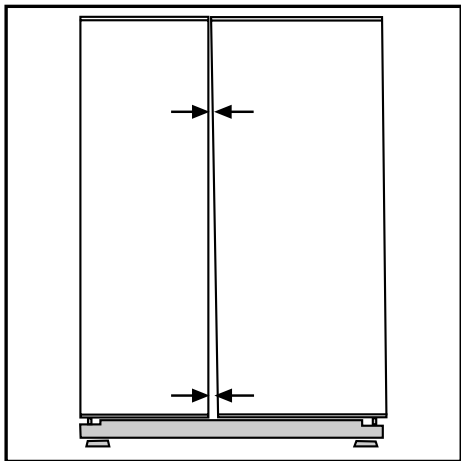
Až budou dveře ve stejné úrovni pomocí zvednutí přední části pomocí zvedacích šroubů, ujistěte se, že se dveře chladničky uzavřou správně. Pokud se neuzavírají správně, může to mít negativní dopad na účinnost provozu chladničky.



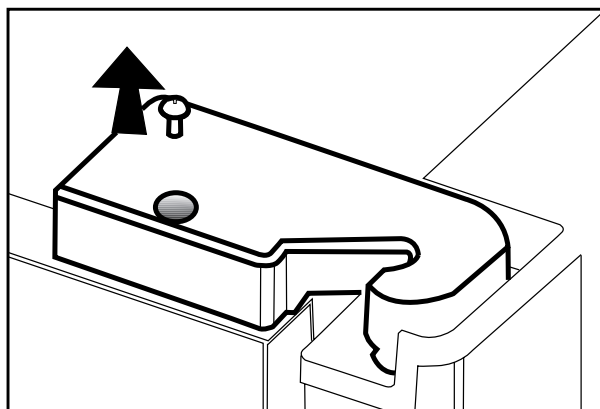


## Úprava mezery mezi horními dveřmi

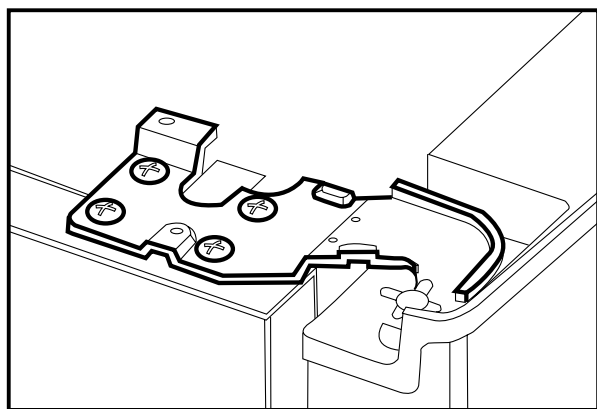
**i** Můžete nastavit mezeru mezi dveřmi prostoru chladničky podle obrázků.



Police ve dveřích by měly být prázdné, když upravujete výšku dveří.

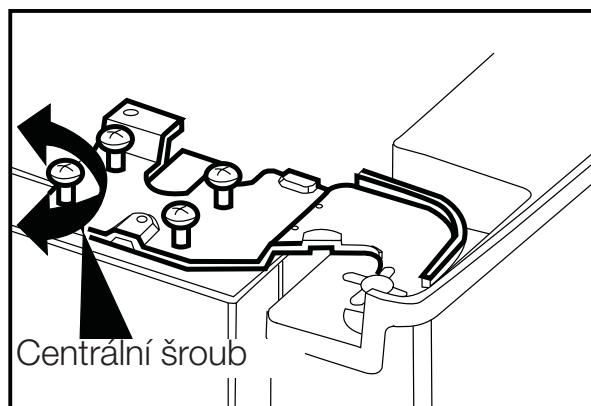
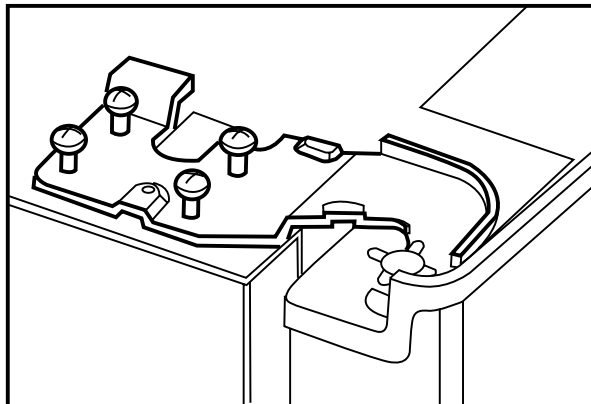


**Z důvodu přítomnosti kabelů v krytu závěsu dveří mrazničky vypněte chladničku dříve, než začnete kryt závěsu odstraňovat, a proveďte to s největší opatrností.**



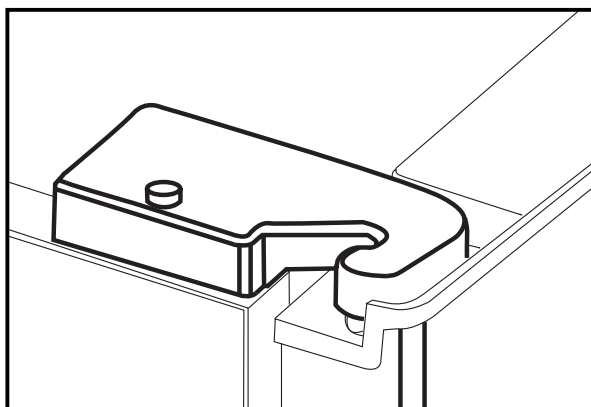
**i** Šroubovákem odstraňte šroub z horního krytu závěsu ve dveřích, které chcete upravit.

**i** Upravte dveře podle potřeby pomocí uvolnění šroubů.



**i** Upevněte dveře, které jste nastavili, pomocí utážení šroubů, aniž byste změnilí pozici dveří.

**i** Vraťte zpět kryt závěsu a upevněte jej šroubem.



## 4 Příprava

---

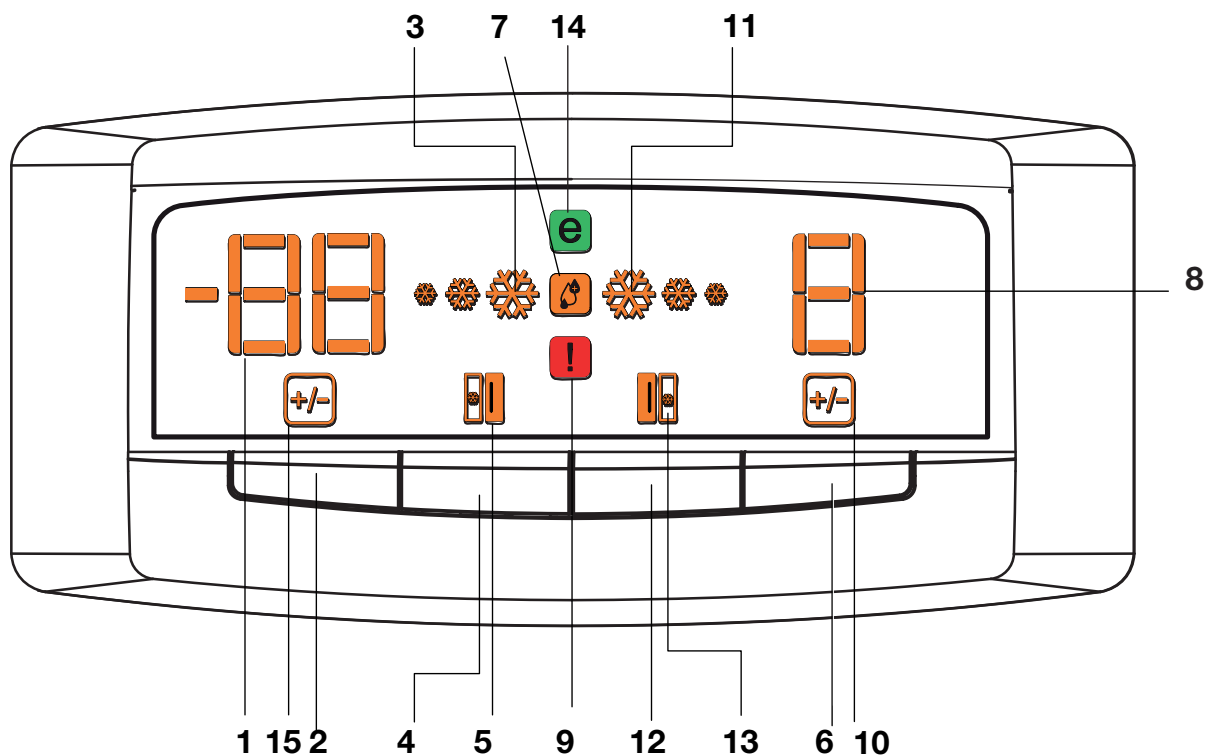
- i** Chladničku instalujte nejméně 30 cm od zdrojů tepla, jako jsou varné desky, trouby, ústřední topení a sporáky a nejméně 5 cm od elektrických trub, neumísťujte ji na přímé sluneční světlo.
- i** Teplota prostředí v místnosti, kde instalujete chladničku, by měla být nejméně 10 °C. Používání chladničky za chladnějších podmínek se nedoporučuje vzhledem k její účinnosti.
- i** Zajistěte, aby byl vnitřek vaší chladničky důkladně vyčištěn.
- i** Pokud vedle sebe instalujete dvě chladničky, měl by mezi nimi být rozestup nejméně 2 cm.
- i** Když spustíte chladničku poprvé, dodržujte následující pokyny během prvních šesti hodin.
  - Dveře neotevírejte často.
  - Musí běžet prázdná bez vkládání potravin.
  - Neodpojujte chladničku. Pokud dojde k výpadku energie, prostudujte si varování v kapitole „Doporučená řešení problémů“.
- i** Původní obaly a pěnové materiály uschovejte pro budoucí přepravu či přesun.

## 5 Používání chladničky

### Panel ukazatelů

Panel ukazatelů pomáhá s používáním chladničky díky zvukovým a vizuálním funkcím.

Tento panel vám umožňuje spouštět a používat všechny funkce vaší chladničky bez otevírání dvířek, protože panel se nachází na vnější straně dvířek prostoru chladničky.



1. Ukazatel nastavení teploty v mrazničce
2. Tlačítko nastavení teploty v mrazničce
3. Ukazatel rychlého mražení
4. Tlačítko pro rychlé mražení
5. Ukazatel otevřených dveří mrazničky
6. Tlačítko nastavení teploty v chladničce
7. Ukazatel vysoké vlhkosti
8. Ukazatel nastavení teploty chladničky
9. Ukazatel chyby
10. Ukazatel změny teploty v chladničce
11. Ukazatel rychlého chlazení
12. Tlačítko Quick Cool (Rychlé chlazení)
13. Ukazatel otevřených dveří chladničky
14. Úsporný režim
15. Ukazatel změny teploty v mrazničce

**i** Obrázky uvedené v tomto návodu k použití jsou schematické a nemusí přesně korespondovat s vaším výrobkem. Pokud zobrazené části nejsou obsaženy v produktu, který jste zakoupili, jde o součásti jiných modelů.

## Nastavení teploty prostoru chladničky

Pokud si přejete změnit nastavení teploty v chladničce, musíte stisknout **„Tlačítko nastavení teploty v chladničce“** a provést úpravu teploty v chladničce. Teplotu v chladničce můžete snížit každým stiskem tlačítka (např. 8, 6, 4, 2, 8, ...).

## Nastavení teploty prostoru mrazničky

Pokud si přejete změnit nastavení teploty v chladničce, musíte stisknout **„Tlačítko nastavení teploty v mrazničce“** a provést úpravu teploty v mrazničce. Teplotu v mrazničce můžete snížit každým stiskem tlačítka (např. -18, -20, -22, -24, -18, ...).

## Funkce rychlého zmrazení

Tuto funkci můžete využít k rychlému zmrazení potravin, které vkládáte do mrazničky poprvé, nebo pokud chcete rychleji vyrobit led. Pokud chcete uskladnit mražené potraviny delší dobu, nejprve zapněte funkci rychlého zmrazení. Rychlé zmrazení je nejzdravější způsob dlouhodobého uchovávání potravin. Teplota v mrazničce klesne na 27°C během rychlého mrazení. **Když chcete použít funkci „Rychlé zmrazení“**, stiskněte tlačítko rychlého mrazení. Ukazatel rychlého zmrazení se rozsvítí po stisknutí tohoto tlačítka. Ukazatel teploty v mrazničce se změní na -27°C. Když je aktivována funkce rychlého mrazení, tento prostor dosahuje nižších teplot než nastavené hodnoty a mohou se rozsvítit všechny

ukazatele teploty v mrazničce. Funkce rychlého mrazení trvá nejvýše 24 hodiny. Vaše chladnička automaticky ukončí režim rychlého zmrazení, jakmile proces rychlého zmrazení skončí, zhasne kontrolka rychlého mrazení a chladnička se vrátí na předem nastavené teploty. Ukazatele teploty v mrazničce postupně zhasnou, dokud nedosáhnete nastavené teploty.

Pokud jste neúmyslně přepli chladničku na režim rychlého mrazení nebo pokud chcete proces zrušit, stiskněte znovu tlačítko **„Rychlé mrazení“** a režim rychlého zmrazení se ukončí.

Pokud chcete mrazit velké množství čerstvých potravin, stiskněte tlačítko rychlého mrazení 24 hodin před vložením potravin do prostoru mrazničky.

## Funkce rychlého chlazení

Tuto funkci můžete použít pro potraviny v prostoru chladničky, pokud je chcete rychle ochladit. Stiskem tlačítka rychlého chlazení funkci zapnete. Během tohoto procesu se rozsvítí kontrolka rychlého chlazení a ukazatel teploty v chladničce se změní na 1°C. Když je aktivována funkce rychlého chlazení, je v tomto prostoru chladněji, než jsou nastavené hodnoty. Zatím se mohou rozsvítit všechny ukazatele teploty v chladničce. Proces rychlého chlazení trvá asi 2 hodiny a na konci této doby zhasne kontrolka rychlého chlazení a chladnička se vrátí na předem nastavené teploty.

## Táček na vejce

Držák vajec můžete nainstalovat na požadovanou polici ve dveřích či chladničky.

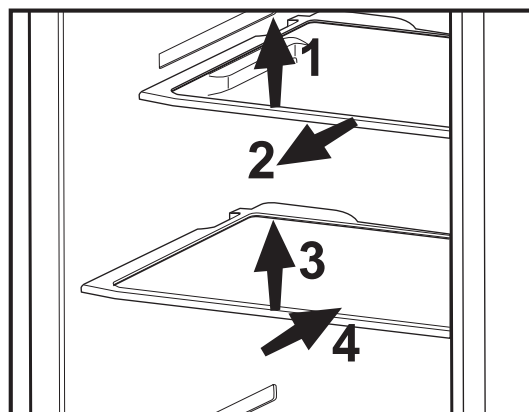
Vajíčka nikdy neskladujte v prostoru mrazničky

## Posuvné police trupu

Posuvné police trupu přitáhnete tak, že je nadzvednete zpředu a posunete dozadu a dopředu. Zastaví se, když je přitáhnete dopředu, abyste mohli dosáhnout na potraviny umístěné na zadní straně police; když je nepatrně vytáhnete poté, co jste je nadzvedli ve druhém bodě zastavení, police trupu se uvolní.

Polici pevně držte i zespoda, aby nedošlo k jejímu převrácení. Police trupu je umístěna na kolejkách po stranách trupu chladničky, a to na jedné nižší a jedné vyšší úrovni.

Polici trupu zatlačte dozadu, aby řádně seděla.



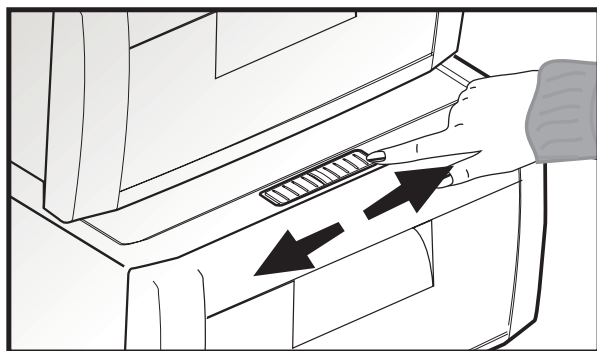
## Posuvné ovladače vlhkosti v prostoru pro čerstvé potraviny

Prostor pro čerstvé potraviny ve vaší chladničce je navržen tak, aby se vaše zelenina udržela čerstvá a neztrácela vlhkost. Studený vzduch cirkuluje v podstatě kolem přihrádky pro čerstvé potraviny a množství studeného vzduchu proudícího prostorem pro čerstvé potraviny lze regulovat ovladači na přední straně krytu tohoto prostoru. Ovladače pro regulaci vlhkosti můžete nastavit do vhodné polohy podle podmínek vlhkosti a chlazení vašich potravin v přihrádce.

Pokud chcete, aby se potraviny v této přihrádce chladily více, otevřete otvory ovladačů regulace vlhkosti, a pokud chcete, aby se chladily méně a aby se udržela jejich vlhkost déle, zavřete otvory.

## Ion:

Vzduch je ionizován prostřednictvím systému ionizéru v prostoru vzduchového vedení lednice. Díky tomuto systému jsou odstraněny bakterie, které se přenášejí vzduchem, a částice, které způsobují zápach.



## Doporučení pro uschování mražených potravin

- Balené mražené potraviny uskladněte v souladu s pokyny výrobce mražených potravin pro **\* \*\*** (4hvězdičkový) prostor pro mražené potraviny.
- Pro zajištění vysoké kvality podle výrobce a prodejce mražených potravin nezapomeňte dodržovat následující body:

1. Balení vkládejte do mrazničky co nejrychleji po zakoupení.
2. Ověřte, zda je na obsahu uvedeno datum.
3. Nepřekračujte data spotřeby na obalu.

Dojde-li k výpadku elektrické energie, neotvírejte dveře mrazničky. I když výpadek proudu dosáhne doby uvedené na typovém štítku (nalevo uvnitř chladničky), zmraženého jídla se to nedotkne. V případě, že výpadek trvá déle, je nutno potraviny zkontrolovat a podle potřeby spotřebovat okamžitě, případně zmrazit po uvaření.

## Odmrazování

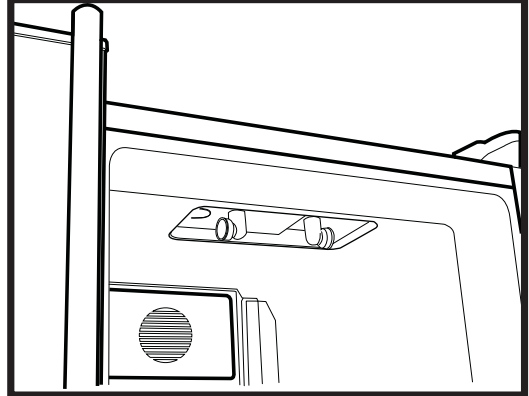
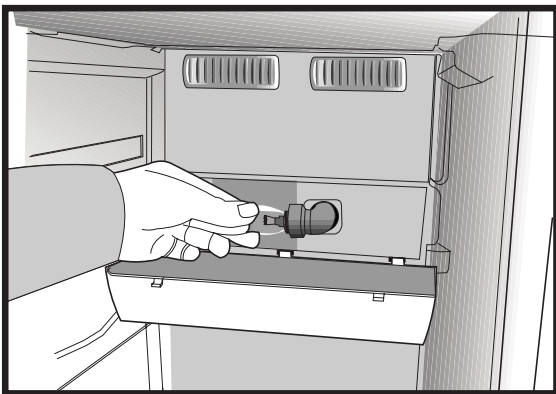
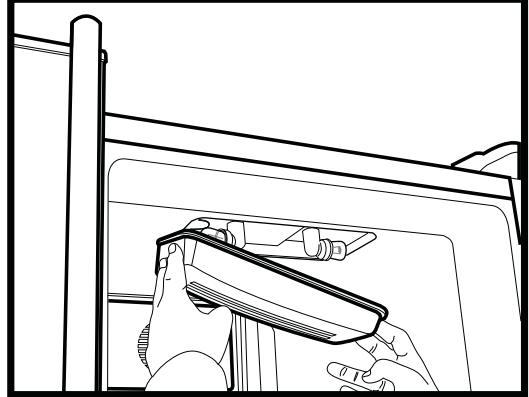
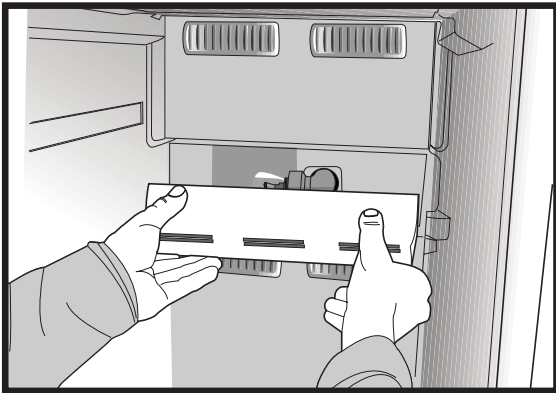
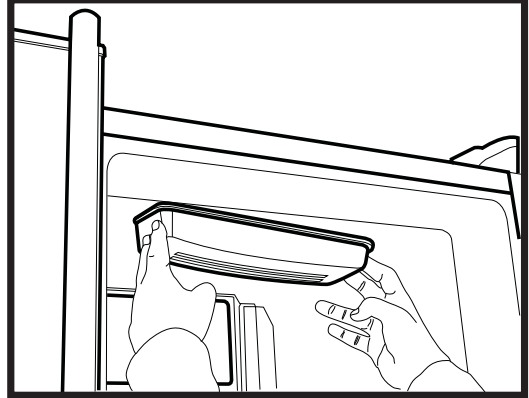
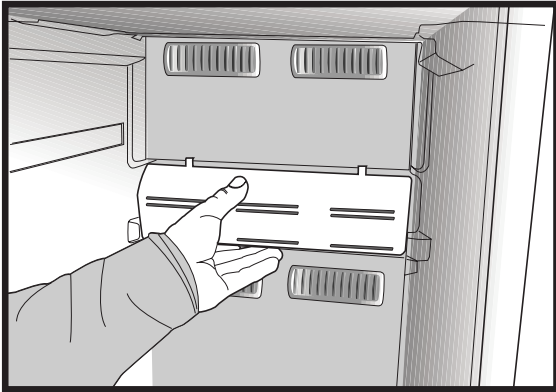
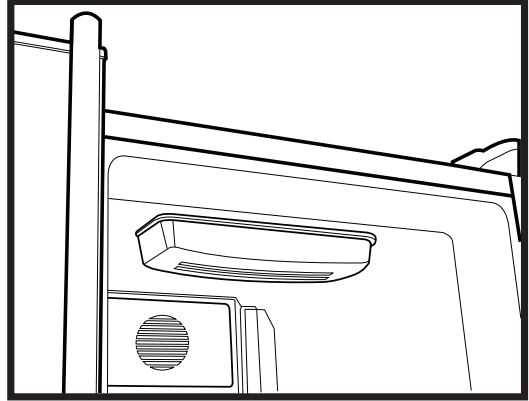
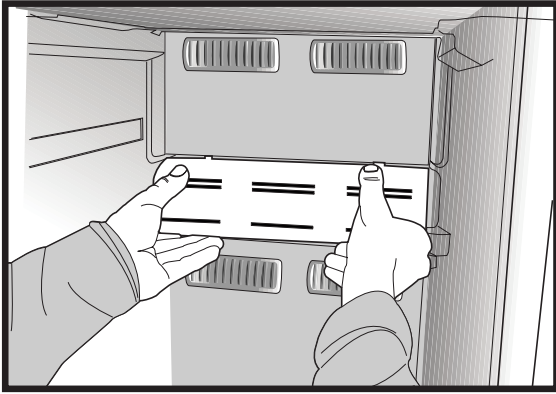
Prostor chladničky a mrazničky se odmrazují automaticky.

## Výměna vnitřní žárovky

Pokud světlo přestane fungovat, postupujte takto:

1. Vypněte přístroj a odpojte napájecí kabel.
  2. Vyjměte všechny police a zásuvky pro snadný přístup.
  3. Osvětlené kryty v prostoru mrazničky a chladničky lze otevřít stiskem ruky. Nejprve uvolněte jednu stranu a poté druhou stisknutím na stranách, jak je zobrazeno na obrázcích.
  4. Nejprve zkontrolujte, zda se žárovka neuvolnila, ujistěte se, zda je pevně našroubovaná v objímce. Znovu zasuňte zásuvku do sítě a zapněte spotřebič. Pokud žárovka svítí, vraťte zpět kryt světla, zasuňte zadní západku a zatlačením vzhůru umístěte obě přední západky.
  5. Pokud světlo stále nesvítí, vypněte přístroj a odpojte napájecí kabel. Vyměňte žárovku za novou 15wattovou (max) šroubovací (E14(SES)).
5. Nefunkční žárovku okamžitě opatrně zlikvidujte.
- Náhradní žárovku snadno zakoupíte v solidním elektro nebo kutilském obchodě.





## Automat na led

\* Když vyjmete nádržku automatu na led **(1)** z místa a chcete ji doplnit vodou, musíte ji vrátit zpět během dvou minut poté, co ji naplníte vodou. Systém trysky se otevře a články automatu na led se automaticky naplní vodou, jakmile je kazeta zpět na místě. Příprava ledu trvá cca dvě hodiny.

- Nevyjímejte automat na led **(2)** pro odběr ledu.
- Otočte tlačítka ve směru hodinových ručiček podle obrázku.

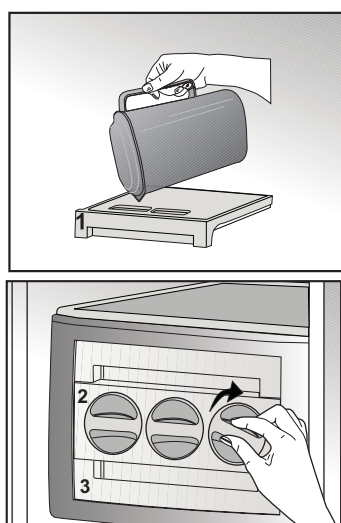
Kostky ledu v článkách budou padat dolů do přihrádky na led **(3)**.

- Můžete vyjmout přihrádku na led a podávat led.
- Pokud chcete, můžete skladovat kostky ledu v přihrádce na led.

**Přihrádka na led slouží jen k vysypání kostek ledu. Nelijte do ní vodu. Jinak praskne.**

## O nádržce

Vyjměte nádržku a naplňte ji vodou. Po doplnění vodou musíte nádržku zatlačit dopředu na místo, dokud nezacvakne. Pokud je v nádržce led, počkejte, až roztaje. Nádržka má obsah cca 290 ml.

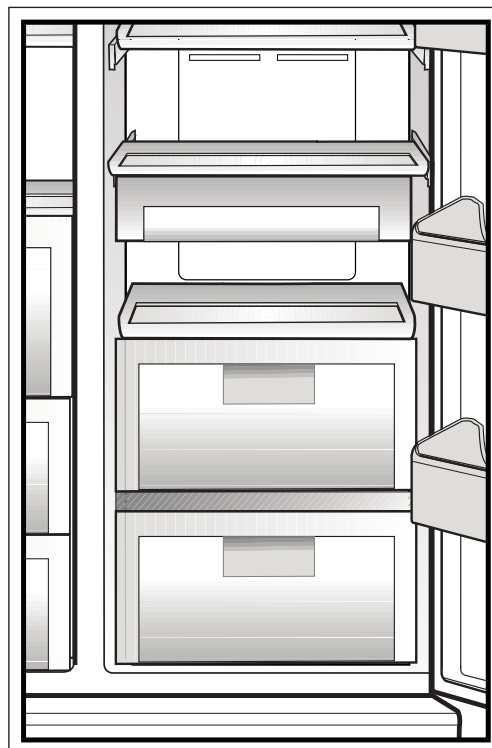


## Prostor chlazení

Pokud si přejete použít nádobu na skladování pod policí jako prostor chlazení, skladovací nádoba pod policí by měla být umístěna stejně jako na obrázku.

Prostor chlazení umožňuje připravit potraviny na zmrazení. Tento prostor můžete používat i k uskladnění potravin při teplotě o pár stupňů nižší než v prostoru chladničky.

Můžete zvýšit vnitřní objem chladničky, pokud odstraníte některý z prostorů chlazení. Přitáhněte prostor k sobě; prostor se opře o záračku a zastaví se. Tento prostor se uvolní, když jej zvednete asi o 1 cm a přitáhněte jej k sobě.



## 6 Údržba a čištění

- ⚠ Nikdy na čištění nepoužívejte benzín, technický benzín a podobné materiály.
- ⚠ Doporúčujeme odpojit přístroj od sítě, než jej začnete čistit.
- ⚠ Nikdy nepoužívejte brusné nástroje, mýdlo, domovní čistič, odmašťovač či voskové čističlo.
- i** Používejte vlažnou vodu pro vyčištění skříně a otřete ji pak dosucha.
- i** Používejte vlhký hadřík namočený do roztoku jedné čajové lžičky sody bikarbony na půl litru vody na vyčištění vnitřku, pak jej dosucha otřete.
- ⚠ Zajistěte, aby do krytu světla a jiných elektrických prvků nepronikla voda.
- ⚠ Pokud chladničku delší dobu nebudete používat, odpojte napájecí kabel, vyjměte všechny potraviny, vyčistěte jej a nechte dveře otevřené.
- i** Pravidelně kontrolujte těsnění dvířek, abyste zajistili jejich čistotu a nezanesení částechkami potravin.
- ⚠ Pro odstranění polic ve dveřích odstraňte všechny obsah a pak jen zvedněte dveřní polici vzhůru ze základny.

## Ochrana plastových ploch

- i** Nevkládejte tekuté oleje nebo pokrmy s obsahem oleje do chladničky v neuzavřených nádobách, jelikož poškodí plastovou plochu vaší chladničky. V případě rozlití nebo rozetření oleje na plastové ploše vyčistěte a opláchněte příslušnou část plochy teplou vodou.

## 7 Doporučená řešení problémů

Než zavoláte do servisu, projděte si tento seznam. Možná vám ušetří čas a peníze. Tento seznam obsahuje časté stížnosti, které nejsou způsobeny vadným zpracováním či použitými materiály. Některé zde uvedené funkce nemusejí být přítomny na vašem výrobku.

### Chladnička nefunguje.

- Je chladnička řádně zapojena? Zasuňte zástrčku do sítě.
- Není vypálena pojistka zástrčky, do níž je chladnička zapojena, nebo hlavní pojistka? Zkontrolujte pojistku.

### Kondenzace na boční stěně prostoru chladničky (MULTIZONE, COOL CONTROL a FLEXI ZONE).

- Velmi nízká teplota prostředí. Časté otevírání a zavírání dveří. Vysoká vlhkost v prostředí. Skladování potravin s obsahem kapalin v otevřených nádobách. Necháání otevřených dveří. Přepnutí termostatu na nižší teplotu.
- Snížení času otevřených dveří nebo méně časté použití.
- Zakrytí potravin v otevřených nádobách vhodným materiálem.
- Otřete kondenzaci suchým hadrem a ověřte, zda je stále přítomna.

### Kompresor neběží

- Tepelná pojistka kompresoru se zapne během náhlého výpadku energie nebo odpojení a zapojení, jelikož tlak chladicího média v chladicí soustavě chladničky není dosud vyvážen. Vaše chladnička začne fungovat asi po 6 minutách. Kontaktujte servis, pokud se chladnička nespustí na konci této doby.
- Chladnička je v režimu odmrazování. Toto je normální pro chladničku s plně automatickým odmrazováním. Cyklus odmražení probíhá pravidelně.
- Chladnička není zapojena do zásuvky. Ověřte, zda je zástrčka řádně zasunuta do zásuvky.
- Je správně nastavena teplota?
- Možná je odpojeno napájení.

#### Chladnička často běží nebo běží dlouhodobě.

- Nový výrobek může být širší než předchozí. Je to zcela normální. Četší chladničky fungují delší dobu.
- Okolní teplota v místnosti je možná vysoká. Je to zcela normální.
- Chladnička možná byla nedávno zapojena nebo byla naplněna potravinami. Ochlazování chladničky může trvat o pár hodin déle.
- V nedávné době jste do chladničky vložili velké množství teplých pokrmů. Horké pokrmy způsobují delší fungování chladničky až do dosažení bezpečné teploty pro uchování.
- Dveře se mohly otevřít častěji nebo byly ponechány dlouhou dobu otevřené. Teplý vzduch, který pronikl do chladničky, způsobil dlouhodobější chod chladničky. Otevírejte dveře méně často.
- Mraznička nebo dveře chladničky zůstaly dokořán. Zkontrolujte, zda jsou dveře pevně zavřeny.
- Chladnička je nastavena na velmi nízkou teplotu. Upravte teplotu chladničky na vyšší hodnotu a počkejte na dosažení této teploty.
- Těsnění dveří chladničky nebo mrazničky může být ušpiněno, opotřebené, prasklé nebo nesprávně usazené. Vyčistěte nebo vyměňte těsnění. Poškození/prasklé těsnění způsobuje dlouhodobý chod chladničky pro udržení správné teploty.

#### Teplota mrazničky je velmi nízká, zatímco teplota v chladničce je dostatečná.

- Teplota mrazničky je nastavena na velmi nízkou teplotu. Upravte teplotu mrazničky na vyšší hodnotu a zkontrolujte ji.

#### Teplota chladničky je velmi nízká, zatímco teplota v mrazničce je dostatečná.

- Teplota chladničky může být nastavena na velmi nízkou teplotu. Upravte teplotu chladničky na vyšší hodnotu a zkontrolujte ji.

#### Jídlo v chladničce začíná mrznout.

- Teplota chladničky může být nastavena na velmi nízkou teplotu. Upravte teplotu chladničky na vyšší hodnotu a zkontrolujte ji.

#### Teplota v mrazničce nebo chladničce je velmi vysoká.

- Teplota chladničky může být nastavena na velmi vysokou teplotu. Nastavení chladničky má vliv na teplotu v mrazničce. Změňte teplotu chladničky nebo mrazničky, dokud teplota v chladničce nebo mrazničce nedosáhne dostatečnou hodnotu.
- Dveře se mohly otevřít častěji nebo byly ponechány dlouhou dobu otevřené; otevírejte je méně často.
- Možná jste nechali nedovřená dvířka; zavírejte je úplně.
- V nedávné době jste do chladničky vložili velké množství teplých pokrmů. Počkejte, až chladnička nebo mraznička dosáhne požadované teploty.
- Chladnička byla nedávno zapojena. Úplné ochlazení chladničky trvá nějakou dobu.

Provozní hluk se zvyšuje, když je chladnička zapnutá.
<ul style="list-style-type: none"> <li>• Provozní vlastnosti chladničky se mohou změnit podle výkyvů okolní teploty. Je to normální, nejde o poruchu.</li> </ul>
Vibrace nebo hluk.
<ul style="list-style-type: none"> <li>• Podlaha není rovná nebo je slabá. Chladnička se při pohybu kymácí. Ověřte, zda je podlaha dostatečně pevná pro chladničku a zda je rovná.</li> <li>• Hluk mohou způsobovat předměty vkládané na chladničku. Předměty na horní straně chladničky sejměte.</li> </ul>
Ozývá se zvuk z chladničky jako rozlévání kapaliny nebo stříkání.
<ul style="list-style-type: none"> <li>• Proudění kapalin a plynu se může objevit v souladu s provozními zásadami vaší chladničky. Je to normální, nejde o poruchu.</li> </ul>
Ozývá se hluk jako kvílení větru.
<ul style="list-style-type: none"> <li>• Jsou v provozu ventilátory pro ochlazení chladničky. Je to normální, nejde o poruchu.</li> </ul>
Kondenzace na vnitřních stěnách chladničky.
<ul style="list-style-type: none"> <li>• Horké a vlhké počasí zvyšuje tvorbu ledu a kondenzace. Je to normální, nejde o poruchu.</li> <li>• Možná zůstala nedovřená dvířka; zajistěte úplné uzavření dveří.</li> <li>• Dveře se mohly otevřít častěji nebo byly ponechány dlouhou dobu otevřené; otevírejte je méně často.</li> </ul>
Vlhkost na vnější straně chladničky nebo mezi dveřmi.
<ul style="list-style-type: none"> <li>• Ve vzduchu může být vlhkost; toto je ve vlhkém počasí poměrně normální. Po poklesu vlhkosti kondenzace zmizí.</li> </ul>
Nepříjemný zápach v chladničce.
<ul style="list-style-type: none"> <li>• Chladničku je nutno vyčistit uvnitř. Vyčistěte vnitřek chladničky houbičkou, vlažnou vodou nebo karbonovou vodou.</li> <li>• Některé nádoby či obalové materiály mohou způsobit zápach. Použijte odlišnou nádobu nebo obalový materiál jiné značky.</li> </ul>
Dvířka se nezavírají.
<ul style="list-style-type: none"> <li>• Zabalené potraviny mohou bránit v zavírání dveří. Vyměňte obaly, které brání v chodu dveří.</li> <li>• Chladnička nestojí zcela svisle na podlaze a při pohybu se mírně pohupuje. Upravte seřizovací šrouby.</li> <li>• Podlaha není rovná či silná. Ověřte, zda je podlaha rovná a unese chladničku.</li> </ul>
Příhrádky na čerstvé potraviny jsou zaseklé.
<ul style="list-style-type: none"> <li>• Potraviny se možná dotýkají horní strany zásuvek. Upravte rozložení potravin v zásuvce.</li> </ul>

## Prosím, prečítajte si najskôr túto príručku!

Vážený zákazník,

dúfame, že váš produkt, ktorý bol vyrobený v moderných továrňach a skontrolovaný v rámci prepracovaných postupov riadenia kvality, vám bude úspešne a efektívne slúžiť.

Preto vám odporúčame, aby ste si pozorne prečítali celú túto príručku k vášmu produktu predtým, ako ho začnete používať, a ponechajte si ju poruke, aby ste si ju v prípade potreby mohli prezerat'.

### Tento manuál

- Vám pomôže používať váš prístroj rýchlo a bezpečne.
  - Manuál si prečítajte pred inštaláciou a prevádzkou vášho produktu.
  - Dodržiavajte pokyny, obzvlášť tie, ktoré sa týkajú bezpečnosti.
  - Manuál si uschovajte na ľahko prístupnom mieste, pretože ho môžete neskôr potrebovať.
  - Okrem toho si prečítajte aj ostatné dokumenty dodané s vaším produktom.
- Majte na pamäti, že tento manuál platí aj pre iné modely.

### Symbols a ich popis

Tento návod na obsluhu obsahuje nasledovné symboly:



Dôležité informácie alebo užitočné tipy.

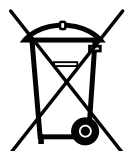


Výstraha pred ohrozením života a majetku.



Výstraha pred elektrickým napätím.

### Recyklácia



Tento produkt obsahuje symbol samostatného roztriedenia pre odpadové elektrické a elektronické vybavenie (WEEE).

To znamená, že s týmto produktom sa musí narábať v súlade s európskou normou 2002/96/ES, aby sa mohol recyklovať alebo rozobrať, čím sa minimalizuje jeho dopad na životné prostredie. Ohľadom ďalších informácií kontaktujte vaše miestne alebo okresné úrady.

Elektronické produkty, ktoré nie sú súčasťou roztriedovacieho procesu, sú potenciálne nebezpečné pre životné prostredie a ľudské zdravie, kvôli prítomnosti nebezpečných látok.

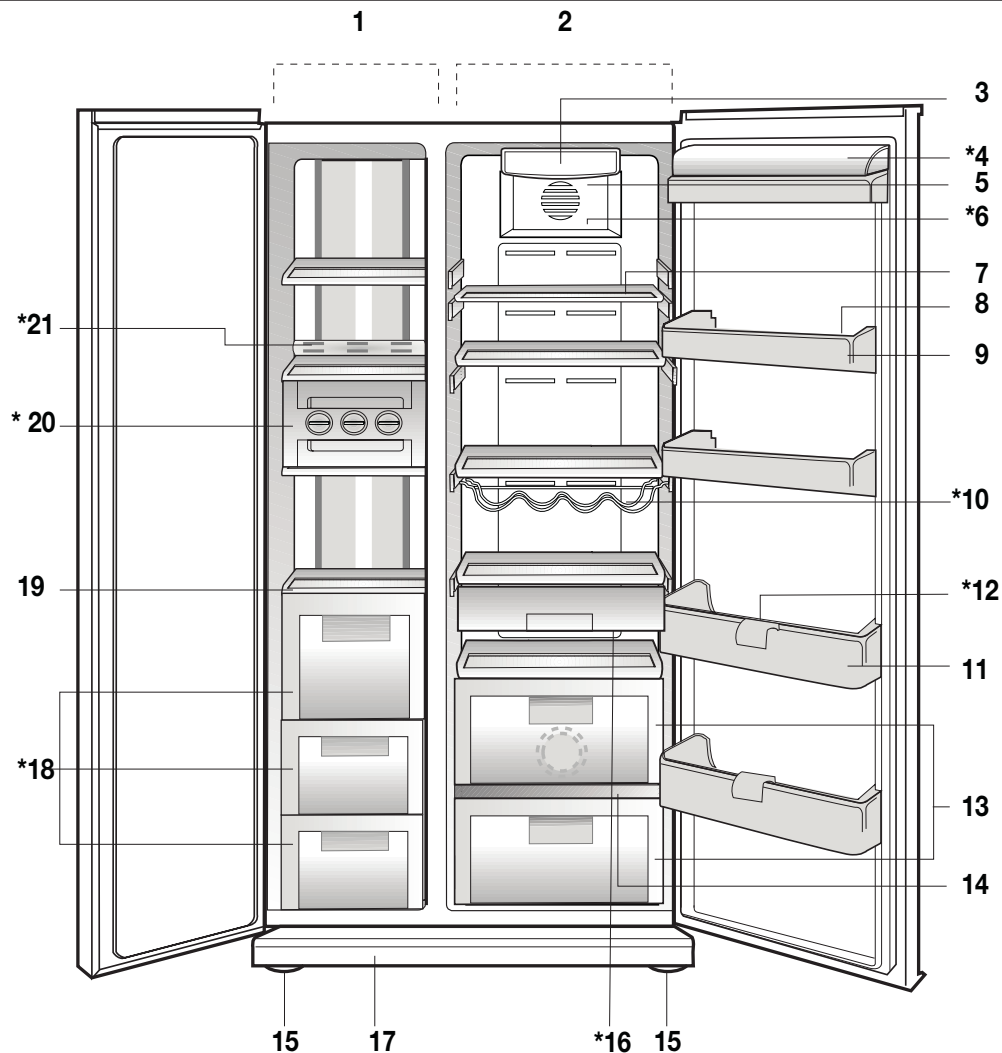


## OBSAH

---

<b>1 Chladnička</b>	<b>3</b>	<b>5 Používanie chladničky</b>	<b>13</b>
<b>2 Dôležité bezpečnostné výstrahy</b>	<b>4</b>	Indikačný panel .....	13
Určené použitie .....	4	Nastavenie teploty v priestore chladničky .....	14
Všeobecná bezpečnosť.....	4	Nastavenie teploty v mraziacom priechodku.....	14
Bezpečnosť detí.....	6	Funkcia rýchleho mrazenia .....	14
Upozornenie HCA.....	6	Funkcia rýchleho chladenia .....	15
Veci, ktoré treba urobiť pre úsporu energie .....	6	Držiak na vajíčka .....	15
<b>3 Inštalácia</b>	<b>7</b>	Zasúvacie police telesa .....	15
Body, ktoré je potrebné zvažovať pri opakovanej preprave chladničky.....	7	Posuvníky ovládania vlhkosti v priechodku na zeleninu a ovocie .....	16
Pred uvedením chladničky do prevádzky7		Ion: .....	16
Elektrické pripojenie .....	8	Odporúčania pre uchovávanie mrazeného jedla .....	17
Likvidácia obalu .....	8	Rozmrazovanie .....	17
Likvidácia vašej starej chladničky.....	8	Výmena žiarovky vnútorného osvetlenia17	
Umiestnenie a inštalácia .....	8	Priečinok ochladzovača.....	19
Nastavenie vyváženia podlahy .....	9	<b>6 Údržba a čistenie</b>	<b>20</b>
Nastavenie medzery medzi hornými dverami .....	11	Ochrana plastových povrchov .....	20
<b>4 Príprava</b>	<b>12</b>	<b>7 Odporúčané riešenia problémov</b>	<b>21</b>

# 1 Chladnička



- |   |  |
|---|--|
| 1. Priechinok mrazničky                       | 12. Držiak na fľašu                        |
| 2. Priechinok chladničky                      | 13. Priechinok na zeleninu a ovocie        |
| 3. Osvetlenie interiéru chladničky            | 14. Kryt priechinok na zeleninu a ovocie   |
| 4. Priestor na maslo a syr                    | 15. Nastaviteľné predné nôžky              |
| 5. Ventilátor                                 | 16. Podnos na občerstvenie                 |
| 6. Ionizátor                                  | 17. Vetrací kryt                           |
| 7. Sklené poličky priechinka chladničky       | 18. Zásuvky mraziaceho priechinka          |
| 8. Držiak na vajčka                           | 19. Sklenené poličky mraziaceho priechinka |
| 9. Poličky vo dverách v priechinku chladničky | 20. Icematic                               |
| 10. Vína pivnica                              | 21. Osvetlenie interiéru mrazničky         |
| 11. Polica na fľašky                          | * VOLITEĽNÉ                                |

**i** Obrázky v tejto príručke k obsluhu sú schematické a nemusia sa presne zhodovať s vaším produktom. Ak produkt, ktorý ste si zakúpili, nedisponuje uvádzanými časťami, potom sa to týka iných modelov.

## 2 Dôležité bezpečnostné výstrahy

Prečítajte si nasledujúce informácie. Ak ich nebudete dodržiavať, môže to spôsobiť zranenia osôb alebo vecné škody. Všetky záručné záväzky tým strácajú platnosť.

Doba životnosti vami zakúpeného zariadenia je 10 rokov. Je to obdobie, počas ktorého sú k dispozícii náhradné diely pre zabezpečenie opísanej prevádzky.

### Určené použitie

- Tento spotrebič je určený na použitie v domácnostiach a pri podobných aplikáciách, ako napríklad
  - zamestnanecké kuchynské oblasti v predajniach, kanceláriách a iných pracovných prostrediach,
  - vo farmárskych domoch a klientmi hotelov, motelov a iných rezidenčných prostredí,
  - prostredia poskytujúce nocľah s raňajkami,
  - catering a podobné, nie maloobchodné aplikácie.
- Nesmie sa používať v exteriéroch. Nie je vhodný na použitie v exteriéri ani v prípade, ak je zakrytý strieškou.

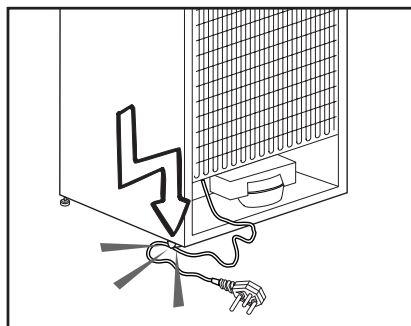
### Všeobecná bezpečnosť

- Ak chcete vyradiť/zlikvidovať tento produkt, odporúčame vám poradiť sa s autorizovaným servisom, aby ste získali potrebné informácie o autorizovaných orgánoch zriadených na tento účel.
- Obráťte sa na autorizovaný servis so všetkými otázkami a problémami s vašou chladničkou. Nezasahujte ani nenechajte iných zasahovať do chladničky bez upozornenia autorizovaného servisu.
- Nejedzte zmrzlinu a kocky ľadu ihneď po ich vybratí z mraziaceho priečinka! (Môžete si tým spôsobiť nepríjemný mrazivý pocit v ústach.)
- Do mraziaceho priečinka nekladajte tekuté nápoje vo fľašiach a plechoviciach. V opačnom prípade by mohli prasknúť.

- Mrazeného jedla sa nedotýkajte rukami; mohlo by sa k ruke prilepiť.
- Para a parové čistiace prostriedky by sa nikdy nemali používať pri čistení a odmrazovaní vašej chladničky. V takýchto prípadoch by sa para mohla dostať do kontaktu s elektrickými dielcami a spôsobiť skrat alebo zásah elektrickým prúdom.
- Nikdy nepoužívajte rôzne časti, ako napr. dvere, ako podpery alebo schodíky.
- Vo vnútri vašej chladničky nepoužívajte elektrické zariadenia.
- Chladiaci obvod, v ktorom cirkuluje chladivo, nepoškodzujte nástrojmi na vrtanie alebo rezanie. V prípade perforácie plynových kanálov výparníka, trubkových rozšírení alebo povrchových úprav, môže rozliaty chladiaci prostriedok spôsobiť podráždenie pokožky a zranenia očí.
- Neprekrývajte ani neblokujte ventilačné otvory na chladničke žiadnymi materiálmi.
- Opravy elektrických prístrojov môžu vykonávať len kvalifikované osoby. Opravy vykonávané nekompetentnými osobami môžu vyvolávať riziko pre používateľa.
- V prípade zlyhania alebo počas údržby alebo opráv odpojte chladničku od elektrického rozvodu buď vypnutím príslušnej poistky alebo odpojením spotrebiča od siete.
- Pri odpájaní zásuvky neťahajte za kábel, ale potiahnite zásuvku.
- Nápoje s vysokým obsahom alkoholu umiestnite tesne vedľa seba a vertikálne.
- V tomto spotrebiči neskladujte výbušné látky, ako napríklad aerosólové nádoby s horľavým palivom.

- Nepoužívajte mechanické prístroje alebo iné prostriedky na urýchľovanie rozmrazovacieho procesu, inak ako odporúča výrobca.
- Tento spotrebič nie je určený na to, aby ho používala osoba so zníženými telesnými, zmyslovými alebo duševnými schopnosťami, či nedostatkom skúseností a vedomostí, ak nie je pod dohľadom osoby zodpovednej za jej bezpečnosť alebo ak od nej nedostáva pokyny.
- Neuvádzajte do prevádzky poškodenú chladničku. Ak máte pochybnosti, kontaktujte váš servis.
- Elektrická bezpečnosť vašej chladničky je zaručená len vtedy, keď je váš uzemňovací systém v zhode s týmito štandardmi.
- Vystavenie produktu pôsobeniu dažďa, snehu, slnka a vetra je nebezpečné z pohľadu elektrickej bezpečnosti.
- Pri poškodení elektrického kábla kontaktujte autorizovaný servis, aby vám nehrozilo žiadne nebezpečenstvo.
- Počas inštalácie nikdy chladničku nepripájajte do elektrickej zásuvky. V opačnom prípade vznikne riziko usmrtenia alebo vážneho zranenia.
- Táto chladnička je navrhnutá výlučne pre uchovávanie potravín. Nepoužívajte ju na žiadne iné účely.
- Štítko obsahujúci technické údaje produktu sa nachádza v ľavej vnútornej časti chladničky.
- Chladničku nepripájajte do elektronických systémov na úsporu energie, pretože to môže spôsobiť poškodenie produktu.

- Ak chladnička obsahuje modré svetlo, nepozerajte sa na toto modré svetlo cez optické zariadenia.
- Ak zdroj napájania odpojíte od ručne regulovaných chladničiek, pred opätovným pripojením napájania počkajte najmenej 5 minút.
- Túto príručku produktu by ste v prípade zmeny vlastníka mali odovzdať novému vlastníkovi.
- Pri presune chladničky sa ubezpečte, že ste nepoškodili napájací kábel. Ak chcete zabrániť požiaru, napájací kábel neskrúcajte. Na napájací kábel nedávajte ťažké predmety. Keď je chladnička zapojená, so sieťovou zásuvkou nemanipulujte mokrymi rukami.



- Chladničku nezapájajte, ak je elektrická zásuvka uvoľnená.
- Z bezpečnostných dôvodov nestríekajte vodu priamo na vonkajšie alebo vnútorné časti chladničky.
- Z dôvodu rizika požiaru a výbuchu nerozstrekujte v blízkosti chladničky horľavé materiály, ako napríklad propánový plyn a pod.
- Na vrch chladničky neumiestňujte žiadne predmety naplnené vodou, pretože to môže mať za následok úraz elektrickým prúdom alebo požiar.
- Chladničku nepreťažujte prebytočným jedlom. Prebytočné jedlo môže po otvorení dverí vypadnúť, čo môže mať za následok vaše zranenie alebo poškodenie chladničky. Na vrch chladničky neumiestňujte žiadne predmety, pretože tieto predmety môžu po otvorení alebo zatvorení dverí chladničky spadnúť.

- V chladničke neuskładňujte materiály vyžadujúce určité teplotné podmienky, ako napríklad vakcíny, na teplo citlivé lieky, vedecké materiály a pod.
- Ak chladničku nebudete používať dlhú dobu, odpojte ju. Problém v izolácii elektrického kábla môže mať za následok požiar.
- Výbežky elektrickej zástrčky by ste mali pravidelne čistiť, pretože v opačnom prípade môže dôjsť k požiaru.
- Keď nastaviteľné nožičky nie sú umiestnené pevne na podlahe, môže dôjsť k posunu chladničky. Pomocou nastaviteľných nožičiek môžete zabezpečiť pevné umiestnenie chladničky na podlahe.
- Ak dvere chladničky obsahujú rukoväť, pri presúvaní produktu neťahajte chladničku za rukoväť dverí, pretože tak môže dôjsť k odpojeniu rukoväte od chladničky.
- Ak musíte používať spotrebič v blízkosti inej chladničky alebo mrazničky, vzdialenosť medzi prístrojmi musí byť najmenej 8 cm. Inak sa na stranách susediacich zariadení objaví kondenzácia.
- Tlak vody v hlavnom prívode nesmie byť nižší ako 1 bar. Tlak vody v hlavnom prívode nesmie byť vyšší ako 8 barov.
- Používajte len pitnú vodu.

## Bezpečnosť detí

- Ak dvere obsahujú zámku, kľúč uchovávajte mimo dosah detí.
- Deti by mali byť pod dohľadom, aby sa zabránilo ich hre so spotrebičom.

## Upozornenie HCA

### Ak je váš produkt vybavený chladiacim systémom, ktorý obsahuje R600a:

Tento plyn je horľavý. Preto dajte pozor na to, aby ste nepoškodili chladiaci systém a potrubné vedenia pri používaní a preprave. V prípade poškodenia udržiavajte produkt mimo potenciálnych zdrojov plameňa, ktoré by mohli spôsobiť vznietenie produktu, a miestnosť, kde je zariadenie umiestnené, dostatočne vetrajte.

### Ignorujte upozornenie, ak je váš produkt vybavený chladiacim systémom, ktorý obsahuje R134a.

Plyn, ktorý sa použil pri výrobe vášho produktu, môžete vidieť na menovitom štítku, ktorý sa nachádza na jeho ľavej vnútornej strane.

Produkt nikdy nelikvidujte v ohni.

### Veci, ktoré treba urobiť pre úsporu energie

- Dvere vašej chladničky nenechávajte otvorené dlhý čas.
- Do chladničky nekladajte horúce jedlá alebo nápoje.
- Chladničku neprepíňajte, aby ste neblokovali prúdenie vzduchu v interiéri.
- Vašu chladničku neumiestňujte na priame slnečné svetlo alebo do blízkosti spotrebičov, ktoré produkujú teplo, ako napr. rúry na pečenie, umývačky riadu alebo radiátory.
- Dbajte na to, aby ste jedlo uchovávali v uzavretých nádobách.
- Maximálne množstvo potravín môžete do mraziaceho priečinka chladničky vložiť, keď vyberiete policu alebo zásuvku mraziaceho priečinka. Uvedenú hodnotu spotreby energie vašej chladničky sme určili, keď sme vybrali policu a zásuvku mraziaceho priečinka a pri maximálnom zaťažení potravinami. Ohľadom tvarov a rozmerov potravín určených na zamrazenie neexistuje pri používaní police alebo zásuvky žiadne riziko.

### 3 Inštalácia

**i** Zapamätajte si, že výrobca nenesie zodpovednosť v prípade, že nedodržíte informácie uvedené v návode k obsluhu.

#### Body, ktoré je potrebné zvažovať pri opakovanej preprave chladničky

1. Vaša chladnička musí byť pred presunom prázdna a očistená.
2. Police, príslušenstvo, priehradky atď. vo vašej chladničke musia byť pred opätovným zabalením chladničky zalepené a zaistené voči otrasom.
3. Balenie musíte zaistiť hrubými páskami alebo silnými lanami a musíte dodržiavať bezpečnostné pokyny na balení.

#### **i** Vždy si pamätajte...

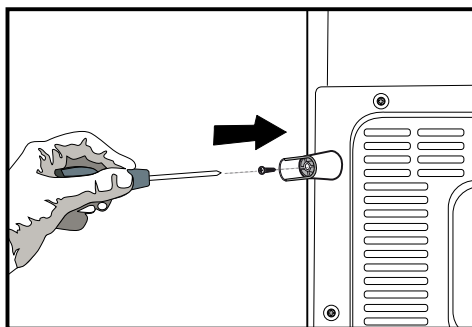
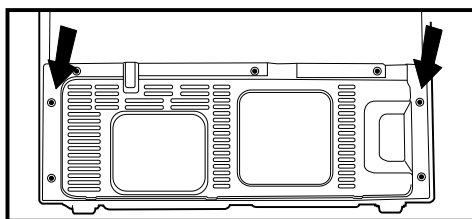
Každý recyklovaný materiál je nepostrádateľným zdrojom pre prírodu a národné zdroje.

Ak by ste chceli prispieť k recyklácii obalových materiálov, informácie môžete získať u ekologických organizácií alebo na miestnych úradoch.

#### Pred uvedením chladničky do prevádzky

Pred začatím používania vašej chladničky skontrolujte nasledovné:

1. Je interiér chladničky suchý a môže vzduch ľahko cirkulovať v zadnej časti?
2. Vyčistite interiér chladničky podľa odporúčania v odseku „Údržba a čistenie“.
3. Vložte 2 plastové klince na zadnú ventiláciu, ako je to ukázané na nasledujúcom obrázku. Existujúce odskrutkujte a použite skrutky, ktoré sa nachádzajú v tom istom sáčku ako klince. Plastové klince zaistia požadovanú vzdialenosť medzi chladničkou a stenou kvôli dostatočnej cirkulácii vzduchu.





4. Chladničku pripojte do elektrickej zásuvky. Keď sa otvoria dvere, zapne sa príslušné vnútorné svetlo.
5. Budete počuť zvuk pri zapnutí kompresora. Kvapalina a plyny utesnené v chladiacom systéme môžu vydávať nejaký zvuk, bez ohľadu na to, či kompresor je alebo nie je v prevádzke. Toto je celkom normálne.
6. Predné hrany chladničky môžu byť zohriate. To je normálne. Tieto časti sú vytvorené tak, aby boli zohriate, aby sa predišlo kondenzácii.

## Elektrické pripojenie

Pripojte chladničku k uzemnenej zástrčke, ktorá je chránená poistkou príslušnej kapacity.

Dôležité:

- ⚠ Pripojenie musí byť v zhode s národnými predpismi.
- ⚠ Elektrická zásuvka musí byť po inštalácii ľahko prístupná.
- ⚠ Určené napätie musí byť rovnaké ako napätie vo vašej elektrickej sieti.
- ⚠ Predlžovacie káble a rozbočky sa nesmú používať na pripojenie zariadenia.
- ⚠ Poškodený elektrický kábel musí vymeniť kvalifikovaný elektrikár.
- ⚠ Spotrebič nesmiete prevádzkovať, pokiaľ ho neopravíte! Hrozí nebezpečenstvo zásahu elektrickým prúdom!

## Likvidácia obalu

⚠ Obalový materiál môže byť nebezpečný pre deti. Obalový materiál držte mimo dosahu detí alebo ho vyhodte podľa pokynov pre likvidáciu odpadu. Neodhadzujte ho spolu s normálnym domovým odpadom. Balenie chladničky je vyrobené z recyklovateľných materiálov.

## Likvidácia vašej starej chladničky

Vašu starú chladničku zlikvidujte ekologicky.

- ⚠ O likvidácii vašej starej chladničky sa môžete poradiť s vaším autorizovaným predajcom alebo zberným miestom.
- ⚠ Pred likvidáciou vašej chladničky odrežte elektrickú zásuvku a ak sa na dverách nachádzajú nejaké zámky, znefunkčnite ich, aby ste nevystavili deti žiadnemu nebezpečenstvu.

## Umiestnenie a inštalácia

⚠ Varovanie: Počas inštalácie nikdy chladničku nepripájajte do elektrickej zásuvky. V opačnom prípade vznikne riziko usmrtenia alebo vážneho zranenia.

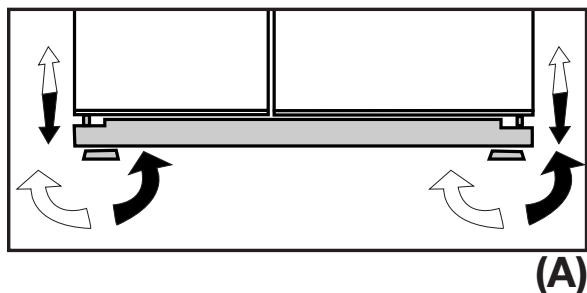
⚠ Ak vstupné dvere v miestnosti, kde bude chladnička nainštalovaná, nie sú dostatočne široké na to, aby cez ne chladnička prešla, zavolajte do autorizovaného servisu, aby odmontovali dvere vašej chladničky a bokom ju preniesli cez dvere.

1. Chladničku nainštalujte na miesto, ktoré umožňuje ľahké použitie.
2. Chladničku udržiavajte mimo dosah zdrojov tepla, vlhkých miest a priameho slnečného svetla.
3. Kvôli dosiahnutiu účinnej prevádzky musí byť v okolí chladničky dostatočné vetranie. Ak bude chladnička umiestnená vo výklenku v stene, minimálna vzdialenosť od stropu musí byť 5 cm a od steny 5 cm. Ak je podlaha pokrytá kobercom, výrobok musí byť zdvihnutý do výšky 2,5 cm od podlahy.
4. Kvôli zabráneniu hádzaniu dajte chladničku na rovnú podlahu.
5. Chladničku neuchovávajte pri teplote prostredia pod 10 °C.



## Nastavenie vyváženia podlahy

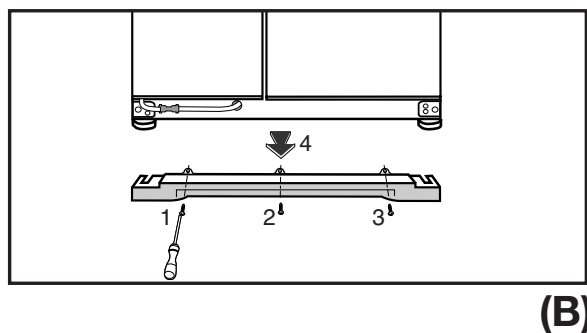
Ak je vaša chladnička nestabilná; Chladničku môžete vyvážiť otáčaním predných nôh tak, ako je to znázornené na obrázku. (Pozrite si Obrázok A) Keď nohu otáčate v smere čiernej šípky, roh s príslušnou nohou sa znižuje; keď nohu otáčate v opačnom smere, poloha sa zvyšuje. Pomoc inej osoby miernym prídvihnutím chladničky celý proces uľahčí.



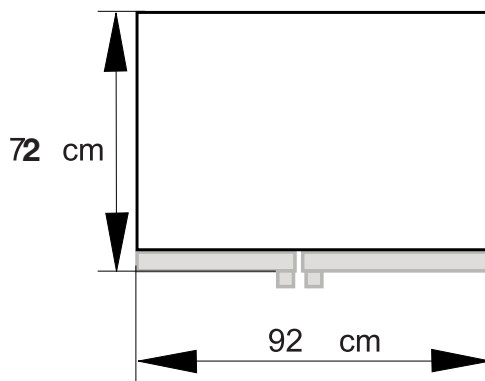
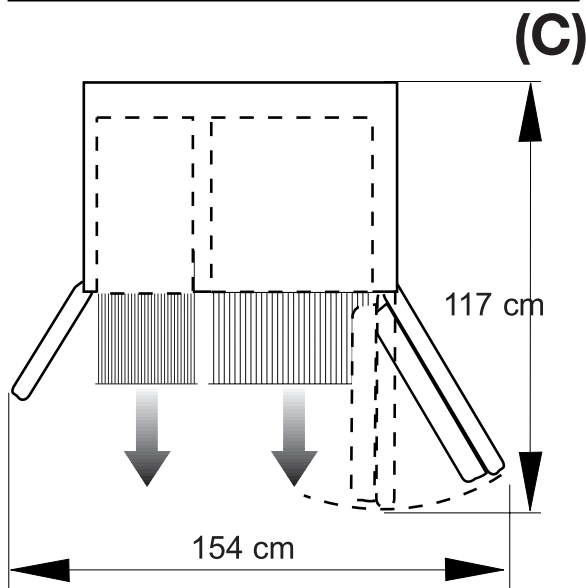
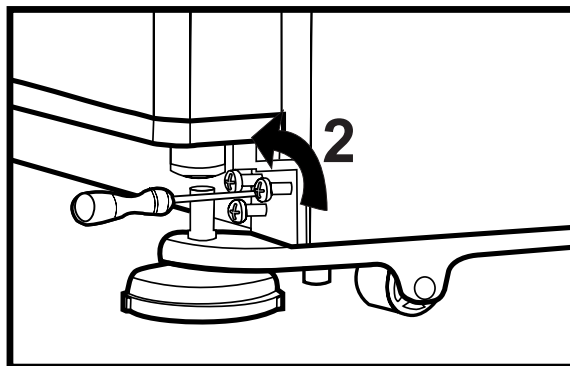
## Nastavenie výšky dverí

V prípade, ak nastane problém so zarovnaním dverí vzhľadom na seba, môžu byť opakovane vertikálne zarovnané uvádzaným spôsobom. Pri nastavovaní výšky dverí sa uistite, že poličky na dverách sú prázdne.

1. Odstráňte spodný ventilačný kryt odkrutkovaním skrutiek podľa znázornenia na nižšie uvedenom obrázku. (Pozrite si Obrázok B)



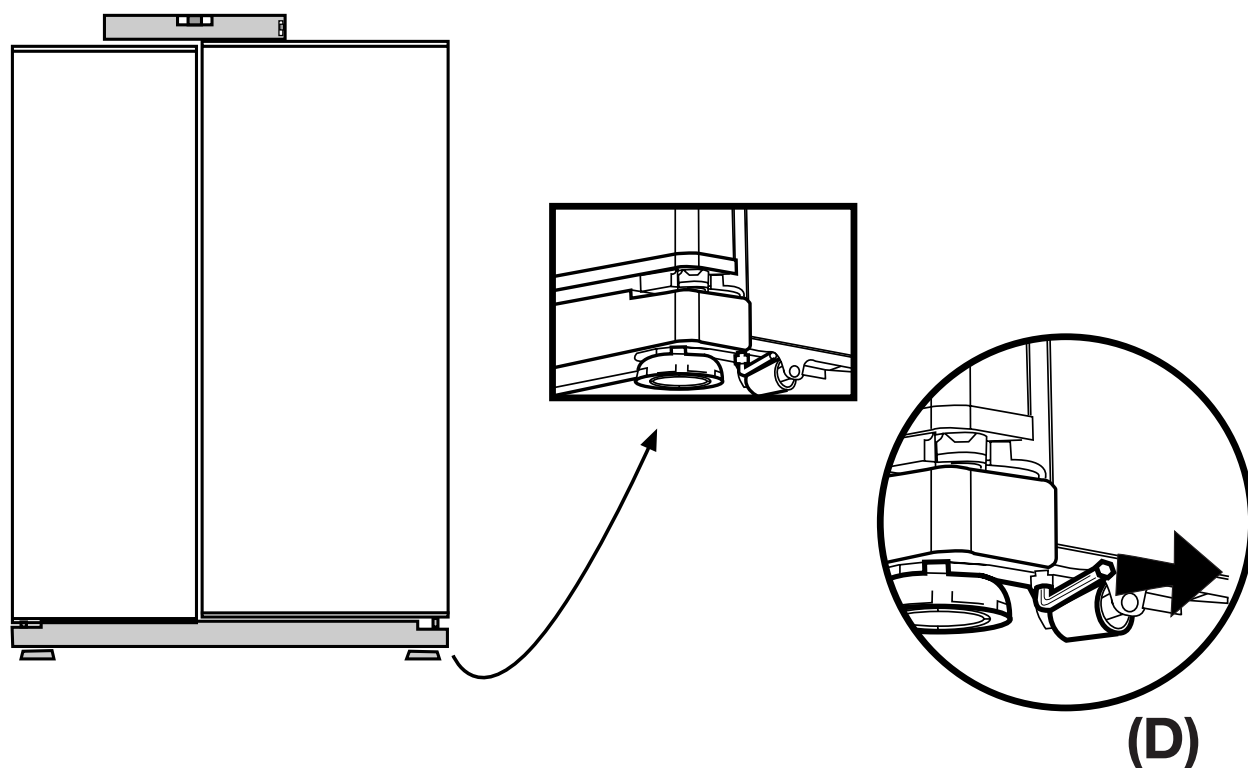
2. Podľa znázornenia na obrázku pomocou skrutkovača povolte tri skrutky na pántoch spodných dverí, ktoré chcete zvýšiť. (Neodstraňujte úplne) (Pozrite si Obrázok C)



- Ak sú dvierka mraziaceho priečinka nižšie ako dvierka chladiaceho priečinka, otáčaním elevačnej skrutky na strane mraziaceho priečinka v smere šípky pomocou imbusového kľúča M6 ich dostaňte na rovnakú úroveň (pozrite si znázornenie na Obrázku D).

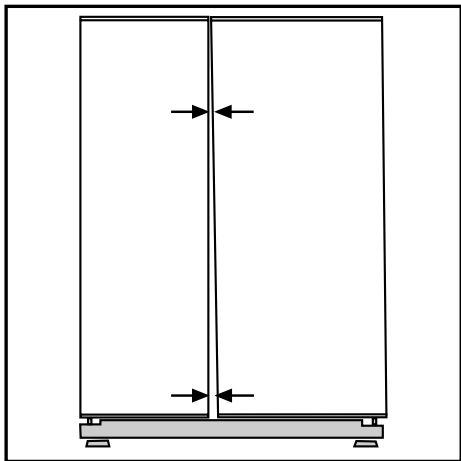
- Ak sú dvierka mraziaceho priečinka vyššie ako dvierka chladiaceho priečinka, otáčaním elevačnej skrutky na strane mraziaceho priečinka proti smeru šípky pomocou imbusového kľúča M6 ich dostaňte na rovnakú úroveň (pozrite si znázornenie na Obrázku D).

Keď budú dvere na rovnakej úrovni po zvýšení prednej časti pomocou elevačných skrutiek, zaistite, aby sa dvere chladničky zatvárali správne. Ak sa dvere nezatvárajú správne, môže to mať nežiaduci dopad na účinnosť chladničky.

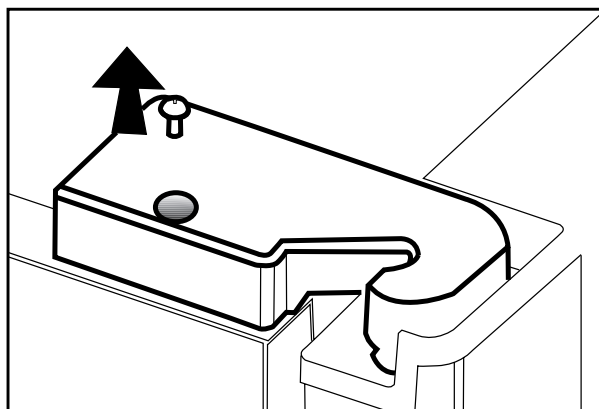


## Nastavenie medzery medzi hornými dverami

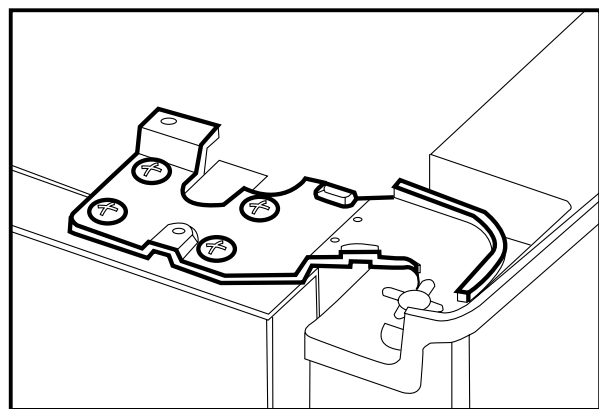
**i** Medzeru medzi dverami priečka chladničky môžete nastaviť tak, ako je to znázornené na obrázkoch.



Poličky dverí musia byť pri nastavovaní výšky dverí prázdne.

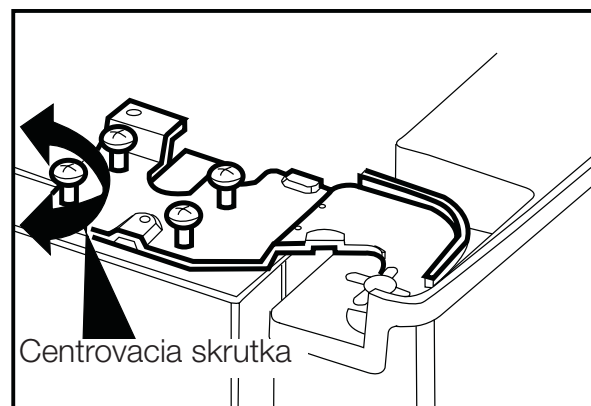
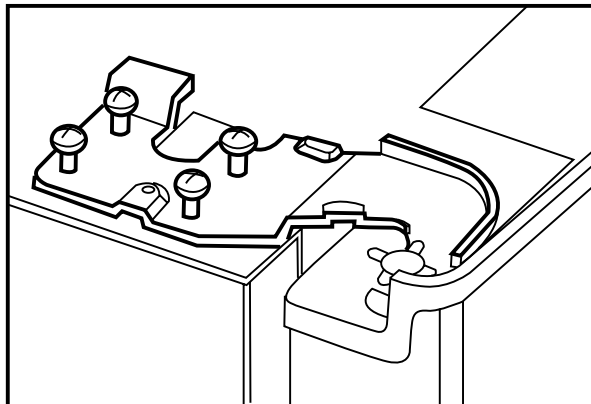


**Pretože v kryte závesu dvierok mrazničky sa nachádzajú káble, odpojte chladničku zo siete skôr, ako odstránite krytý závesov, pričom túto činnosť urobte opatrne.**



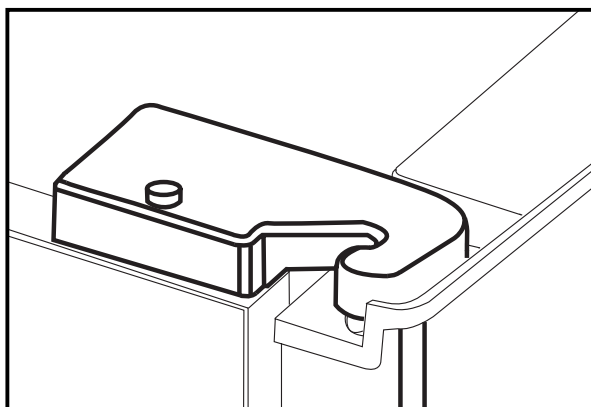
**i** Pomocou skrutkovača vyberte skrutku krytu horného závesu dverí, ktoré chcete nastaviť.

**i** Dvere podľa želania primerane nastavte uvoľnením skrutiek.



**i** Nastavené dvere zaistíte dotiahnutím skrutiek bez zmeny polohy dverí.

**i** Znovu nasadte kryt závesu a dotiahnite ho skrutkou.



## 4 Príprava

---

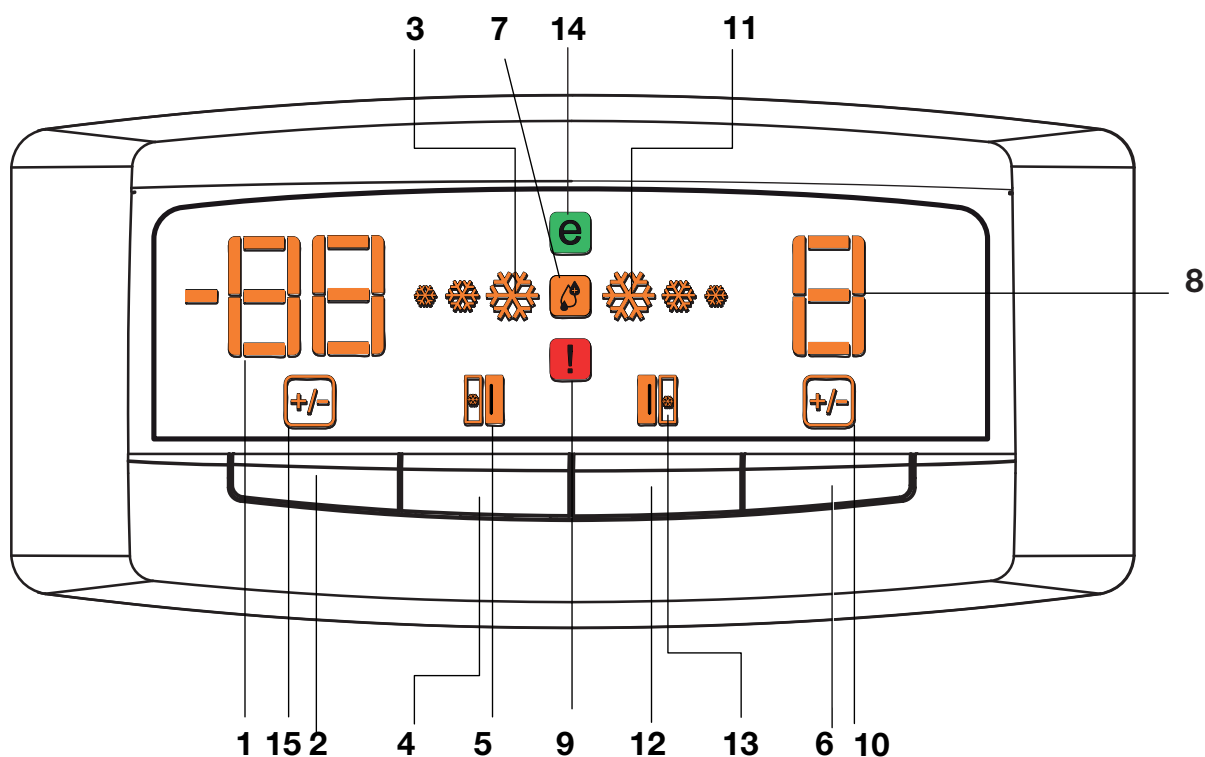
- i** Vaša chladnička by mala byť umiestnená v najmenej 30 cm vzdialenosti od zdrojov tepla, ako sú horáky, rúry na pečenie, radiátory a kachle a najmenej v 5 cm vzdialenosti od elektrických rúr na pečenie a nemala by byť umiestnená na priamom slnku.
- i** Teplota prostredia v miestnosti, kde chladničku inštalujete, by mala byť aspoň 10 °C. Prevádzka chladničky v chladnejšom prostredí sa neodporúča s ohľadom na jej účinnosť.
- i** Uistite sa, že je interiér vašej chladničky dôkladne vyčistený.
- i** Ak sa budú vedľa seba inštalovať dve chladničky, mala by byť medzi nimi vzdialenosť minimálne 2 cm.
- i** Pri prvom spustení vašej chladničky počas šiestich hodín dodržujte nasledujúce pokyny.
  - Dvere by ste nemali otvárať príliš často.
  - Chladnička musí byť počas tohto času prázdna.
  - Chladničku neodpájajte od siete.Ak dôjde k výpadku napájania, ktoré nemôžete ovplyvniť, pozrite si upozornenia v časti „Odporúčané riešenia problémov“.
- i** Originálny obal a penové materiály by ste si mali odložiť za účelom budúceho transportu a prenášania.

## 5 Používanie chladničky

### Indikačný panel

Indikačný panel pomáha pri používaní chladničky pomocou zvukových a vizuálnych funkcií.

Tento panel vám umožňuje spúšťať a využívať všetky funkcie chladničky bez otvorenia dverí, pretože panel sa nachádza na vonkajšej strane dverí mraziaceho priečinka.



- |   |  |
|---|--|
| 1. Indikátor nastavenia teploty priečinku mrazičky    | 8. Indikátor nastavenia teploty v chladničke         |
| 2. Tlačidlo nastavenia teploty na mraziacom priečinku | 9. Indikátor poruchy                                 |
| 3. Indikátor rýchleho mrazenia                        | 10. Indikátor teplotnej zmeny v priečinku chladničky |
| 4. Tlačidlo rýchleho zmrazenia                        | 11. Indikátor rýchleho chladenia                     |
| 5. Indikátor otvorenia dverok mrazičky                | 12. Tlačidlo rýchleho chladenia                      |
| 6. Tlačidlo teploty v priestore chladničky            | 13. Indikátor otvorenia dverok chladničky            |
| 7. Indikátor vysokej vlhkosti                         | 14. Ekonomický režim                                 |
|   | 15. Indikátor teplotnej zmeny v mraziacom priečinku  |

**i** Obrázky v tejto príručke k obsluhu sú schematické a nemusia sa presne zhodovať s vaším produktom. Ak produkt, ktorý ste si zakúpili, nedisponuje uvádzanými časťami, potom sa to týka iných modelov.

## Nastavenie teploty v priestore chladničky

Keď chcete zmeniť nastavenia teploty v chladničke, je potrebné stlačiť „**tlačidlo teploty v priečinku chladničky**“ a nastaviť teplotu v chladiacom priečinku. Teplotu v chladiacom priečinku je možné nastaviť na nižšie stupne po každom stlačení tohto tlačidla (napr. 8, 6, 4, 2, 8...).

## Nastavenie teploty v mraziacom priečinku

Keď chcete zmeniť nastavenia teploty v chladničke, je potrebné stlačiť „**tlačidlo teploty v priečinku mrazničky**“ a nastaviť teplotu v mraziacom priečinku. Teplotu v mraziacom priečinku je možné nastaviť na nižšie stupne po každom stlačení tohto tlačidla (napr. -18, -20, -22, -24, -18...).

## Funkcia rýchleho mrazenia

Túto funkciu chladničky môžete použiť na rýchle zmrazenie jedla prvýkrát vloženého do mraziaceho priečinka alebo rýchlejšie získanie ľadu. Ak chcete jedlo udržať dlhšie zmrazené, najskôr naň aplikujte funkciu rýchleho mrazenia. Rýchle mrazenie je najzdravší spôsob dlhodobého uchovania jedla. Teplota v mraziacom priečinku chladničky počas procesu rýchleho mrazenia klesne až na -27 °C. **Ak chcete použiť funkciu „Rýchle mrazenie“**, stlačte tlačidlo rýchleho mrazenia. Po stlačení tlačidla sa rozsvieti indikátor rýchleho mrazenia. Na indikátore nastavenia teploty v mraziacom priečinku sa zobrazí -27 °C. Kým je aktivovaná funkcia rýchleho mrazenia, v tomto priečinku sa dosahuje nižšia teplota ako uvádzajú nastavené hodnoty a všetky indikátory teploty v mraziacom priečinku sa môžu rozsvietiť. Funkcia rýchleho mrazenia trvá najviac 24 hodín.

Po skončení procesu rýchleho mrazenia vaša chladnička automaticky opustí režim rýchleho mrazenia, indikátor rýchleho mrazenia zhasne a chladnička obnoví pôvodne nastavené teploty. Indikátory teploty v mraziacom priečinku budú postupne zhasínať, až kým sa nedosiahne nastavená teplota.

Ak ste omylom prepli chladničku do režimu rýchleho mrazenia alebo chcete tento proces zrušiť, tlačidlo „**Rýchle mrazenie**“ len stlačte znovu. Režim rýchleho mrazenia sa tým ukončí.

Ak chcete zmraziť veľké množstvá čerstvých potravín, 24 hodín pred vložením potravín do priečinku mrazničky stlačte tlačidlo rýchleho mrazenia.

## Funkcia rýchleho chladenia

Túto funkciu môžete použiť pre potraviny vložené v priechniku chladničky, ktoré je potrebné rýchlo schladiť. Pre spustenie funkcie stlačte tlačidlo rýchleho chladenia. Počas tohto procesu sa rozsvieti indikátor rýchleho chladenia a indikátor nastavenia teploty v chladiacom priechniku sa zmení na 1 °C. Kým je aktivovaná funkcia rýchleho chladenia, v priechniku klesá teplota na nižšie hodnoty ako sú nastavené. Medzitým sa môžu rozsvietiť všetky teplotné indikátory chladiaceho priechníka. Proces rýchleho chladenia bude trvať približne 2 hodiny a po uplynutí tejto doby indikátor rýchleho chladenia zhasne a chladnička obnoví pôvodne nastavené teploty.

## Držiak na vajíčka

Držiak na vajíčka môžete namontovať na želané dvere alebo policu telesa.

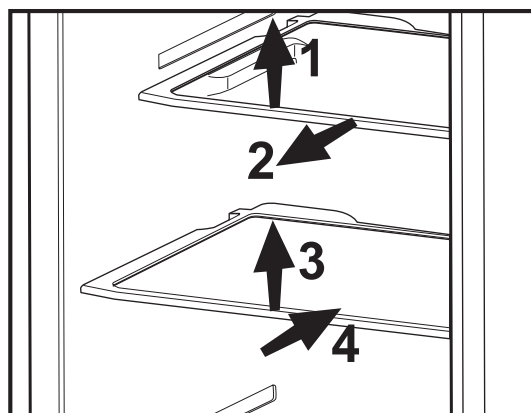
Držiak na vajíčka nikdy nedávajte do priechníka mrazničky.

## Zasúvacie police telesa

Zasúvacie police telesa je možné vytiahnuť jemným nadvihnutím prednej strany a posunom dozadu a dopredu. Po vytiahnutí dopredu zastavia v mieste zastavenia, čo umožňuje dosiahnuť na potraviny uložené v zadnej časti police; keď policu telesa potiahnete po jemnom nadvihnutí nahor na druhom mieste zastavenia, policu telesa bude uvoľnená.

Policu by ste mali pevne držať aj zo spodku, aby ste zabránili jej prevráteniu. Policu telesa umiestnite na koľajnice na bočných stranách telesa chladničky umiestnením na jednu nižšiu alebo jednu vyššiu úroveň.

Policu telesa by ste mali zatlačiť úplne dozadu, aby ste ju úplne usadili.



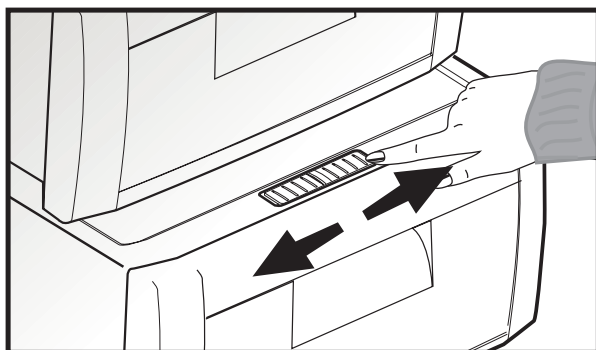


## Posuvníky ovládaní vlhkosti v priečinku na zeleninu a ovocie

Priečink na zeleninu a ovocie vašej chladničky je špeciálne navrhnutý tak, aby vašu zeleninu uchoval čerstvú bez straty jej vlhkosti. V priečinku na ovocie a zeleninu cirkuluje studený vzduch, pričom množstvo studeného vzduchu prechádzajúceho cez priečnik na studený vzduch sa ovláda posuvníkmi na prednej strane krytu priečinka na ovocie a zeleninu.

Vzhľadom na vlhkosť a teplotný stav jedla v priečinku na ovocie a zeleninu môžete nastaviť ovládacie posuvníky vlhkosti do náležitej polohy.


Ak chcete jedlo v priečinku na ovocie a zeleninu viac schlaďiť, otvorte otvory na posuvníkoch ovládaní vlhkosti. Ak ho chcete vychlaďiť menej, zachovajte vlhkosť na dlhšiu dobu uzatvorením otvorov.



## Ion:

Vzduchu sa ionizuje pomocou systému ionizéra vo vzduchovom vedení chladiaceho priečinka. Vďaka tomuto systému sa zo vzduchu odstraňujú baktérie spôsobujúce zápach.

## Odporúčania pre uchovávanie mrazeného jedla

- Balené komerčne predávané mrazené jedlo by sa malo skladovať v súlade s pokynmi výrobcu pre  (4-hviezdičkový) priečinok na uchovávanie mrazeného jedla.
- V záujme zachovania vysokej kvality dodávanej výrobcom a predajcom mrazených potravín je potrebné dodržiavať nasledovné pravidlá:
  1. Po zakúpení balenia čo najskôr vkladajte do mrazničky.
  2. Uistite sa, že obsah je označený názvom a dátumom.
  3. Neprekračujte dátumy spotreby a použiteľnosti uvedené na obaloch.Ak došlo k výpadku prúdu, neotvárajte dvere mrazničky. Ak výpadok prúdu trvá tak dlho, ako sa uvádza na typovom štítku (vnútorná ľavá strana chladničky), nebude to mať vplyv na mrazené jedlo. Ak výpadok trvá dlhšie, jedlo sa musí skontrolovať a v prípade potreby okamžite skonzumovať, prípadne zmraziť po uvarení.

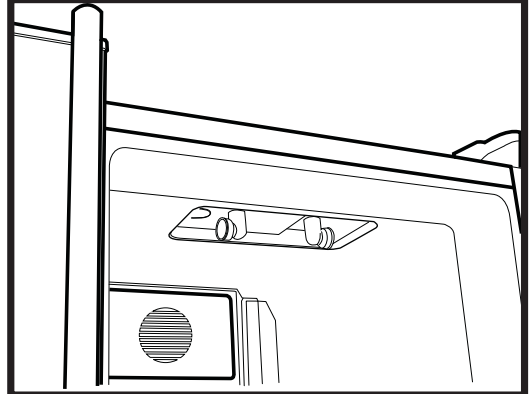
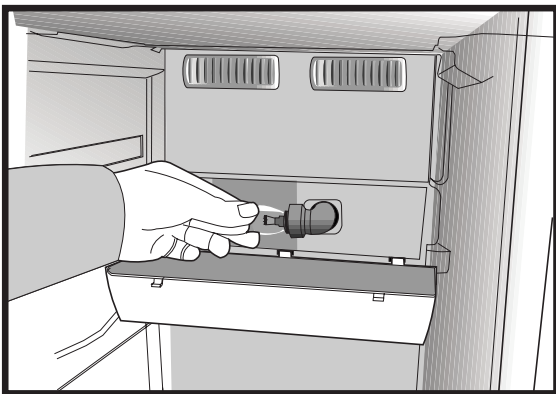
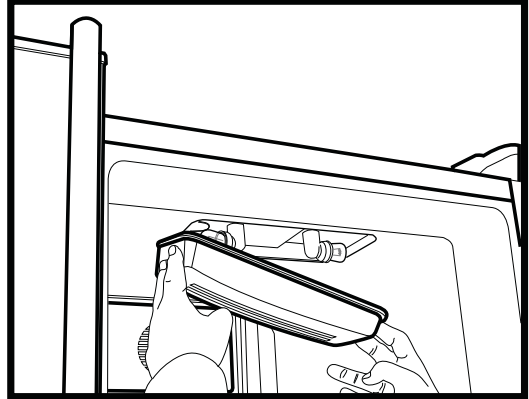
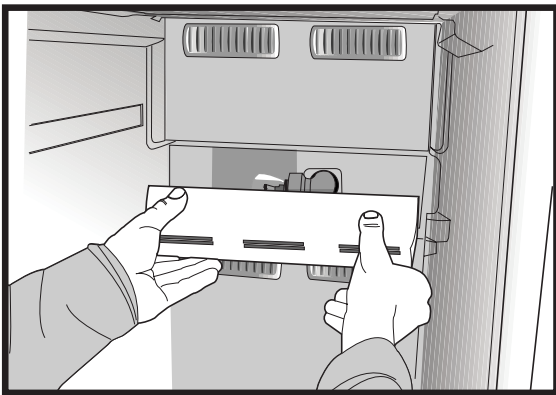
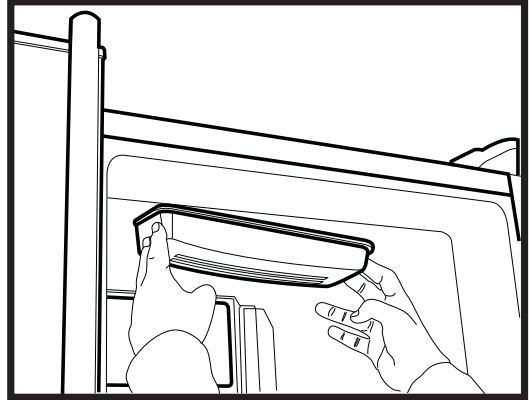
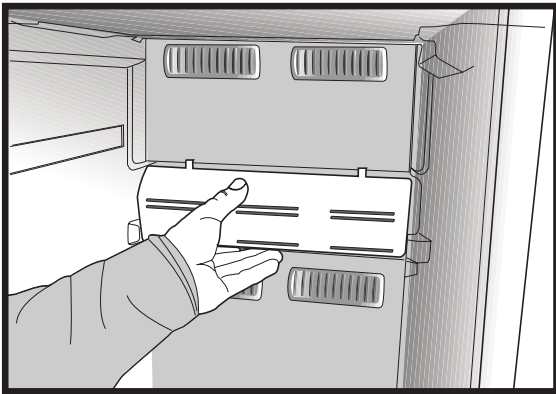
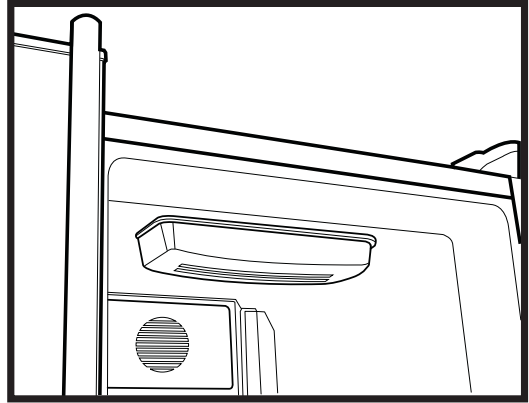
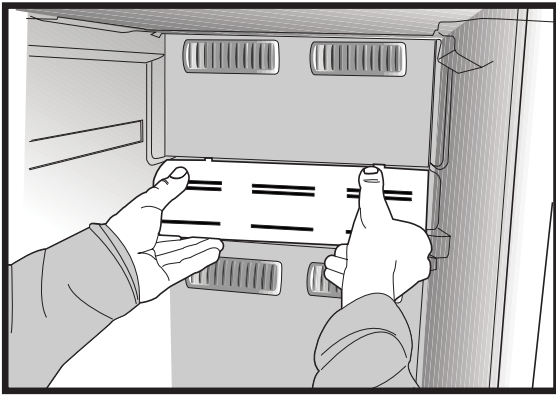
## Rozmrazovanie

Mraznička a mraziace priečinky sa automaticky rozmrazujú.

## Výmena žiarovky vnútorného osvetlenia

Ak by svetlo prestalo fungovať, tak postupujte nasledovne:

1. Vypnite pri výstupe zásuvky spotrebiča a vytiahnite zástrčku zo siete.  
Pre jednoduchý prístup vyberte všetky zásuvky a police.
  2. Kryty osvetlenia v mrazničke a chladničke sa otvárajú potlačením rukou; najskôr uvoľnite jednu stranu a potom druhú zatlačením na strany podľa znázornenia na obrázkoch.
  3. Najskôr skontrolujte, či sa žiarovka neuvolnila tak, že sa presvedčíte, či je bezpečne zaskrutkovaná v držiaku. Opakovane vložte poistku a zapnite. Ak žiarovka funguje, tak opätovne umiestnite kryt osvetlenia tak, že zasuniete zadné uško a zatlačíte nahor, aby ste ho umiestnili do dvoch predných ušík.
  4. Ak by svetlo stále nefungovalo, vypnite zásuvku a vytiahnite zástrčku zo siete. Žiarovku vymeňte za novú 15 wattovú (max.) závitovú E14 (SES) žiarovku.
  5. Vypálenú žiarovku okamžite opatrne zlikvidujte.
- Náhradnú žiarovku môžete jednoducho zakúpiť v dobrom miestnom obchode s elektrickými výrobkami alebo DIY obchode.



## Icematic

\* Keď sa zásobník na vodu Icematic **(1)** odstráni zo svojho miesta za účelom naplnenia, do dvoch minút po naplnení vodou je potrebné ho vložiť späť. Tryska systému sa otvorí a bunky systému Icematic sa automaticky naplnia vodou ihneď po osadení kazety na svoje miesto. Ľad bude pripravený približne behom 2 hodín.

- Nevyberajte Icematic **(2)** z jeho miesta, pokiaľ chcete pripraviť ľad.
- Gombíky na ňom otáčajte v smere hodinových ručičiek, ako sa uvádza na obrázku.

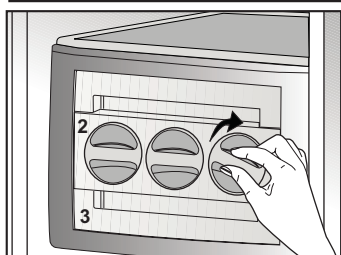
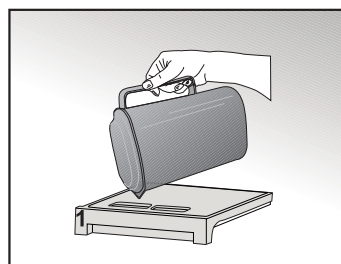
Kocky ľadu v bunkách spadnú do banky na ľad **(3)** nižšie.

- Banku na ľad môžete vybrať a podávať ľadové kocky.
- Ak si prajete, môžete kocky ľadu ponechať v banke na ľad.

**Banka na ľad slúži len na tvorbu kociek ľadu. Nedávajte dovnútra vodu. Inak sa môže poškodiť.**

### Informácie o zásobníku na vodu

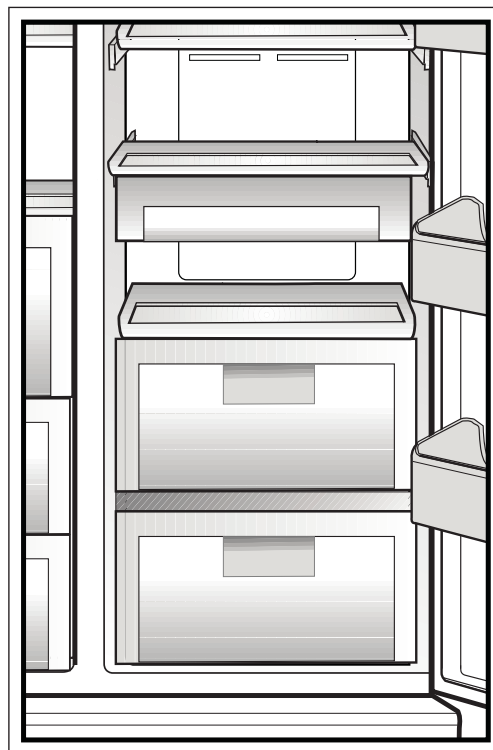
Zásobník na vodu vyberte a naplňte ho vodou. Po naplnení vodou je potrebné zásobník zatlačiť dopredu na svoje miesto, kým nezaznie zvuk „kliknutia“. Ak je v zásobníku ľad, počkajte, kým sa roztopí. Zásobník na vodu má kapacitu približne 290 ml.












## Priečinko ochladzovača

Ak chcete používať odkladaciu nádobu pod poličkou ako priečinko ochladzovača, odkladaciu nádobu pod poličkou umiestnite podľa vyobrazenia na obrázku.


Priečinky ochladzovača umožňujú pripraviť na zmrazenie potraviny, ktoré chcete zmraziť. Tieto priečinky môžete použiť aj na uskladnenie potravín pri teplote o niekoľko stupňov nižšej ako je teplota chladničky. Vnútnu kapacitu chladničky môžete zvýšiť vybratím ktoréhokoľvek priečinka ochladzovača. Ak to chcete urobiť, priečinko potiahnite smerom k vám; priečinko sa oprie o zastavovač a zastaví sa. Tento priečinko uvoľníte jeho zdvihnutím o približne 1 cm a potiahnutím smerom k vám.



## 6 Údržba a čistenie

-  Na čistenie nikdy nepoužívajte benzín, benzén alebo obdobné prostriedky.
-  Odporúčame vám, aby ste zariadenie pred čistením odpojili od siete.
-  Na čistenie nikdy nepoužívajte žiadne ostré a drsné predmety, mydlo, domáce čističlá, saponáty a voskové leštidlá.
-  Na čistenie skrine chladničky použite vlažnú vodu a vytrite ju do sucha.
-  Pomocou vlhkej handry namočenej do roztoku jednej lyžičky sódy bikarbóny v pol litri vody očistíte vnútrajšok a vytrite ho do sucha.
-  Uistite sa, že do puzdra lampy, prípadne iných elektrických súčiastok, neprenikne voda.
-  Ak sa chladničku nechystáte používať dlhšie obdobie, odpojte napájací kábel, vyberte všetky potraviny, vyčistite ju a dvere nechajte pootvorené.
-  Pravidelne kontrolujte, či je tesnenie dverí čisté a zbavené odrobiniek z potravín.
-  Ak chcete odstrániť priečinky vo dverách, vyberte celý ich obsah a potom jednoducho potlačte priečinok nahor zo základne.

### Ochrana plastových povrchov

-  Kvapalné oleje a vyprážené jedlá nedávajte do chladničky v otvorených nádobách, pretože poškodzujú plastové povrchy vašej chladničky. V prípade rozliatia alebo rozretia oleja na plastové povrchy okamžite vyčistite a opláchnite príslušnú časť povrchu teplou vodou.

## 7 Odporúčané riešenia problémov

Pred zavolaním servisu si pozrite tento zoznam. Môže vám to ušetriť čas aj peniaze. Tento zoznam obsahuje bežné sťažnosti, ktoré sa nevzťahujú na chybné spracovanie alebo využitie materiálu. Niektoré z tu popísaných funkcií nemusí váš produkt obsahovať.

### Chladnička nefunguje.

- Je chladnička správne pripojená do siete? Zasuňte zásuvku do stenovej zástrčky.
- Nie je prepálená poistka, ku ktorej je pripojená chladnička, alebo hlavná poistka? Skontrolujte poistku.

### Kondenzácia na bočnej stene priestoru chladničky (MULTIZÓNA, OVLÁDANIE CHLADU a FLEXI ZÓNA).

- Veľmi studené podmienky prostredia. Časté otváranie a zatváranie dverí. Veľmi vlhké podmienky prostredia. V chladničke sa nachádzajú potraviny obsahujúce kvapaliny v otvorených nádobách. Ponechanie pootvorených dverí. Prepnutie termostatu do chladnejšej polohy.
- Skrátenie doby otvorenia dverí alebo ich zriedkavejšie používanie.
- Prikrytie jedla v otvorených nádobách vhodným materiálom.
- Vlhkosť poutierajte suchou handrou a skontrolujte, či stále pretrváva.

### Kompresor nie je v prevádzke

- Ochranná teplotná poistka kompresora sa vypáli počas náhleho výpadku napájania alebo pri vytiahnutí a opätovnom zastrčení zásuvky, pretože tlak chladiva v chladničke ešte nie je vyvážený. Vaša chladnička začne pracovať po približne šiestich minútach. Ak po tomto čase chladnička nezačne fungovať, zavolajte servis.
- Chladnička je v rozmrazovacom cykle. Pre plne automatickú rozmrazovaciu chladničku je to normálne. Cyklus odmrazovania sa vykonáva pravidelne.
- Chladnička nie je pripojená do siete. Ubezpečte sa, že ste zástrčku správne vložili do zásuvky.
- Sú správne vykonané nastavenia teploty?
- Napájanie je možno prerušené.

#### Chladnička pracuje príliš často alebo príliš dlhý čas.

- Váš nový produkt môže byť širší ako predchádzajúci. To je úplne normálne. Veľké chladničky pracujú dlhší čas.
- Okolité teplota môže byť vysoká. To je úplne normálne.
- Chladnička mohla byť zapnutá len nedávno alebo mohlo byť do nej vložené jedlo. Kompletné vychladenie chladničky môže trvať o niekoľko hodín dlhšie.
- Do chladničky mohlo byť len nedávno vložené väčšie množstvo teplého jedla. Teplé jedlo spôsobuje dlhší chod chladničky, kým sa nedosiahne bezpečná teplota skladovania.
- Dvere mohli byť často otvárané alebo ponechané po dlhý čas v pootvorenom stave. Teplý vzduch, ktorý prenikol do chladničky, spôsobuje, že chladnička pracuje dlhší čas. Dvere otvárajte menej často.
- Oddelenie mrazničky alebo chladničky mohlo byť ponechané pootvorené. Skontrolujte, či sú dvere tesne zatvorené.
- Teplota v chladničke je nastavená na veľmi nízku hodnotu. Nastavte teplotu v chladničke na vyššiu a vyčkajte, kým je táto teplota dosiahnutá.
- Tesnenie dverí chladničky alebo mrazničky môže byť zanesené špinou, opotrebované, poškodené alebo nesprávne nasadené. Vyčistite alebo vymeňte tesnenie. Poškodené tesnenie spôsobuje, že chladnička pracuje dlhšiu dobu, aby udržala požadovanú teplotu.

#### Teplota mrazničky je veľmi nízka, zatiaľ čo teplota chladničky je dostatočná.

- Teplota v mrazničke je nastavená na veľmi nízku hodnotu. Nastavte teplotu v mrazničke na vyššiu a skontrolujte.

#### Teplota chladničky je veľmi nízka, zatiaľ čo teplota mrazničky je dostatočná.

- Teplota v chladničke je možno nastavená na veľmi nízku teplotu. Nastavte teplotu v chladničke na vyššiu a skontrolujte.

#### Jedlo uložené v spodných zásuvkách chladničky je zmrazené.

- Teplota v chladničke je možno nastavená na veľmi nízku teplotu. Nastavte teplotu v chladničke na vyššiu a skontrolujte.

#### Teplota v chladničke alebo mrazničke je príliš vysoká.

- Teplota v chladničke je možno nastavená na veľmi vysokú hodnotu. Nastavenia chladničky vplyvajú na teplotu v mrazničke. Zmeňte teplotu chladničky alebo mrazničky, pokým sa tieto teploty nedostanú na adekvátnu úroveň.
- Dvere mohli byť často otvárané alebo ponechané po dlhý čas v pootvorenom stave - otvárajte ich menej často.
- Dvere ste možno nechali pootvorené - dvere úplne zatvorte.
- Do chladničky ste možno nedávno vložili väčšie množstvo teplého jedla. Počkajte, kým mraznička alebo chladnička dosiahnu požadovanú teplotu.
- Chladnička mohla byť pripojená do siete len nedávno. Úplné ochladenie chladničky nejaký čas trvá.

#### Prevádzkový hluk sa zvyšuje, keď chladnička pracuje.

- Prevádzkový výkon chladničky sa môže meniť podľa zmeny teploty okolia. Je to úplne normálne a neznamena to poruchu.



Otrasy alebo hluk.
<ul style="list-style-type: none"> <li>Podlaha nie je rovná alebo nie je pevná. Chladnička sa trasie pri pomalom pohybe. Skontrolujte, či podlaha dokáže uniesť hmotnosť chladničky a či je rovná.</li> <li>Hluk môže byť spôsobený predmetmi položenými na chladničke. Odstráňte predmety na vrchu chladničky.</li> </ul>
Z chladničky vychádzajú zvuky ako rozliatie alebo rozstrekovanie kvapaliny.
<ul style="list-style-type: none"> <li>Tok kvapaliny a plynu sa uskutočňuje podľa prevádzkových princípov. Je to úplne normálne a neznamená to poruchu.</li> </ul>
Chladnička vydáva zvuky ako fúkanie vetra.
<ul style="list-style-type: none"> <li>Na ochladenie chladničky sa používajú ventilátory. Je to úplne normálne a neznamená to poruchu.</li> </ul>
Kondenzácia na vnútorných stenách chladničky.
<ul style="list-style-type: none"> <li>Horúce a vlhké počasie zvyšuje namrazovanie a kondenzáciu. Je to úplne normálne a neznamená to poruchu.</li> <li>Dvere ste možno nechali pootvorené - ubezpečte sa, že ste dvere úplne zatvorili.</li> <li>Dvere mohli byť často otvárané alebo ponechané po dlhý čas v pootvorenom stave - otvárajte ich menej často.</li> </ul>
Na vonkajšej strane chladničky alebo medzi dverami sa tvorí vlhkosť.
<ul style="list-style-type: none"> <li>Vo vzduchu sa môže nachádzať vlhkosť - je to celkom bežné pri vlhkom počasí. Pri nižšej vlhkosti sa kondenzácia stratí.</li> </ul>
Vo vnútri chladničky je nepríjemný zápach.
<ul style="list-style-type: none"> <li>Musíte vyčistiť interiér chladničky. Interiér chladničky vyčistíte špongiou, vlažnou vodou alebo perlivou vodou.</li> <li>Zápach môžu spôsobovať niektoré nádoby alebo obalové materiály. Použite odlišnú nádobu alebo odlišnú značku baliaceho materiálu.</li> </ul>
Dvere sa nezatvárajú.
<ul style="list-style-type: none"> <li>Obaly potravín môžu brániť zatvoreniu dverí. Odstráňte obaly, ktoré bránia v ceste dverám.</li> <li>Chladnička nie je na podlahe v úplne zvislej polohe a pri miernom pohybe sa kolíše. Nastavte elevačné skrutky.</li> <li>Podlaha nie je rovná alebo dostatočne pevná. Skontrolujte, či je podlaha rovná a či dokáže uniesť hmotnosť chladničky.</li> </ul>
Špeciálne priehradky sú zaseknuté.
<ul style="list-style-type: none"> <li>Jedlo sa môže dotýkať vrchnej strany zásuvky. Znovu usporiadajte jedlo v zásuvke.</li> </ul>

57 0101 0000  
EN-PL-CZ-SK

57 0101 0000/ A A  
EN-PL-CZ-SK