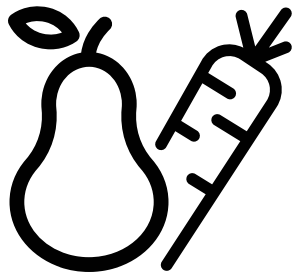




Refrigerator
User Manual
Frigorifero
Manuale utente



RDNE455E30DSN-RDNE455E30DBN

EN/IT

58 4745 0000/AB-EN-IT



Please read this user manual first!

Dear Customer,

We hope that your product, which has been produced in modern plants and checked under the most meticulous quality control procedures, will provide you an effective service.

Therefore, read this entire user manual carefully before using the product and keep it as a reference. If you handover the product to someone else, give the user manual as well.

The user manual will help you use the product in a fast and safe way.




- Read the manual before installing and operating the product.
- Make sure you read the safety instructions.
- Keep the manual in an easily accessible place as you may need it later.
- Read the other documents given with the product.

Remember that this user manual is also applicable for several other models. Differences between models will be identified in the manual.

Explanation of symbols

Throughout this user manual the following symbols are used:

	Important information or useful hints.
	Risk of injury and damage to the property.
	Risk of electric shock.
	Packaging materials of the product are manufactured from recyclable materials in accordance with our National Environment Regulations.

 INFORMATION	
	
SUPPLIER'S NAME A	MODEL IDENTIFIER (*) A
.The model information as stored in the product data base can be reached by entering following website and searching for your model identifier (*) found on energy label. https://eprel.ec.europa.eu/	





Contents

1. Safety and environment instructions	3	5.8. Egg holder	24
1.1. General safety	3	5.9. Fan	24
1.1.1 HC warning	5	5.10. Crisper	24
1.1.2 For models with water dispenser	5	5.11. Chiller compartment	24
1.2. Intended use	5	5.12. Moving door shelf	25
1.3. Child safety	5	5.13. Sliding storage container	25
1.4. Compliance with the WEEE Directive and Disposing of the Waste Product:	6	5.14. Humidity controlled crisper	26
1.5. Compliance with RoHS Directive	6	5.15. Auto Icematic	26
1.6. Package information	6	5.16. Description and cleaning of odor filter	27
2 Your appliance	7	5.17. HerbBox/HerbFresh	27
3 Installation	8	5.18. Using the water dispenser	28
3.1. Appropriate installation location	8	5.19. Using the water dispenser	28
3.2. Installing the plastic wedges	8	5.20. Filling the water dispenser's tank	29
3.3. Adjusting the feet	9	5.21. Cleaning the water tank	30
3.4. Electrical connection	9	5.22. Drip tray	31
3.5. Reversing the doors	10	5.23. Blue light/HarvestFresh	31
3.6. Reversing the doors	11	5.24. Freezing fresh food	32
4 Preparation	12	5.25. Recommendations for preserving the frozen food	33
4.1. Things to be done for energy saving	12	5.26. Deep-freeze information	33
4.2. Initial use	12	5.27. Placing the food	33
5 Operating the product	13	5.28. Door open warning	34
5.1. Temperature setting button	13	5.29. Changing the door opening direction	34
5.2. Fast freeze	13	5.30. Illumination lamp	34
5.3. Vacation function	14	6 Maintenance and cleaning 35	
5.4. Indicator panel	15	6.1. Avoiding bad odors	35
5.5. Indicator panel	18	6.2. Protecting the plastic surfaces	35
5.6. Twist Ice - matic	23	6.3. Door Glasses	35
5.7. Ice container	24	6 Maintenance and cleaning 36	
		7. Troubleshooting	37

1 Safety and environment instructions

This section provides the safety instructions necessary to prevent the risk of injury and material damage. Failure to observe these instructions will invalidate all types of product warranty.

Intended use

	WARNING: Keep ventilation openings, in the appliance enclosure or in the built-in structure, clear of obstruction.
	WARNING: Do not use mechanical devices or other means to accelerate the defrosting process, other than those recommended by the manufacturer.
	WARNING: Do not damage the refrigerant circuit.
	WARNING: Do not use electrical appliances inside the food storage compartments of the appliance, unless they are of the type recommended by the manufacturer.

This appliance is intended to be used in household and similar applications such as

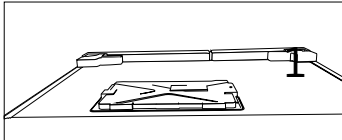
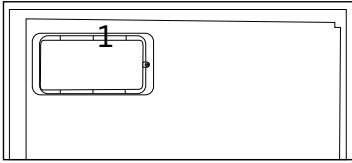
- staff kitchen areas in shops, offices and other working environments;

- farm houses and by clients in hotels, motels and other residential type environments;
- bed and breakfast type environments;
- catering and similar non-retail applications.

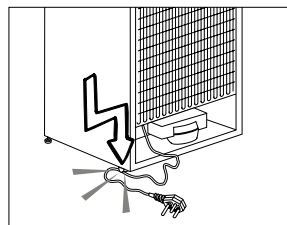
1.1. General safety

- This product should not be used by persons with physical, sensory and mental disabilities, without sufficient knowledge and experience or by children. The device can only be used by such persons under supervision and instruction of a person responsible for their safety. Children should not be allowed to play with this device.
- In case of malfunction, unplug the device.
- After unplugging, wait at least 5 minutes before plugging in again.
- Unplug the product when not in use.
- Do not touch the plug with wet hands! Do not pull the cable to plug off, always hold the plug.
- Do not plug in the refrigerator if the socket is loose.
- Unplug the product during installation, maintenance, cleaning and repair.
- If the product will not be used for a while, unplug the product and remove any food inside.
- Do not use the product when the compartment with circuit cards located on the upper back part of the product (electrical card box cover) (1) is open.

Instructions for safety and environment



- Do not use steam or steamed cleaning materials for cleaning the refrigerator and melting the ice inside. Steam may contact the electrified areas and cause short circuit or electric shock!
 - Do not wash the product by spraying or pouring water on it! Danger of electric shock!
 - In case of malfunction, do not use the product, as it may cause electric shock. Contact the authorised service before doing anything.
 - Plug the product into an earthed socket. Earthing must be done by a qualified electrician.
 - If the product has LED type lighting, contact the authorised service for replacing or in case of any problem.
 - Do not touch frozen food with wet hands! It may adhere to your hands!
 - Do not place liquids in bottles and cans into the freezer compartment. They may explode.
- Place liquids in upright position after tightly closing the lid.
 - Do not spray flammable substances near the product, as it may burn or explode.
 - Do not keep flammable materials and products with flammable gas (sprays, etc.) in the refrigerator.
 - Do not place containers holding liquids on top of the product. Splashing water on an electrified part may cause electric shock and risk of fire.
 - Exposing the product to rain, snow, sunlight and wind will cause electrical danger. When relocating the product, do not pull by holding the door handle. The handle may come off.
 - Take care to avoid trapping any part of your hands or body in any of the moving parts inside the product.
 - Do not step or lean on the door, drawers and similar parts of the refrigerator. This will cause the product to fall down and cause damage to the parts.
 - Take care not to trap the power cable.



Instructions for safety and environment

1.1.1 HC warning

If the product comprises a cooling system using R600a gas, take care to avoid damaging the cooling system and its pipe while using and moving the product. This gas is flammable. If the cooling system is damaged, keep the product away from sources of fire and ventilate the room immediately.



The label on the inner left side indicates the type of gas used in the product.

1.1.2 For models with water dispenser

- Pressure for cold water inlet shall be maximum 90 psi (6.2 bar). If your water pressure exceeds 80 psi (5.5 bar), use a pressure limiting valve in your mains system. If you do not know how to check your water pressure, ask for the help of a professional plumber.
- If there is risk of water hammer effect in your installation, always use a water hammer prevention equipment in your installation. Consult Professional plumbers if you are not sure that there is no water hammer effect in your installation.

- Do not install on the hot water inlet. Take precautions against the risk of freezing of the hoses. Water temperature operating interval shall be 33°F (0.6°C) minimum and 100°F (38°C) maximum.
- Use drinking water only.

1.2. Intended use

- This product is designed for home use. It is not intended for commercial use.
- The product should be used to store food and beverages only.
- Do not keep sensitive products requiring controlled temperatures (vaccines, heat sensitive medication, medical supplies, etc.) in the refrigerator.
- The manufacturer assumes no responsibility for any damage due to misuse or mishandling.
- Original spare parts will be provided for 10 years, following the product purchasing date.

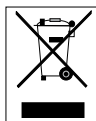
1.3. Child safety

- Keep packaging materials out of children's reach.
- Do not allow the children to play with the product.
- If the product's door comprises a lock, keep the key out of children's reach.

Instructions for safety and environment

1.4. Compliance with the WEEE Directive and Disposing of the Waste Product:

This product complies with EU WEEE Directive (2012/19/EU). This product bears a classification symbol for waste electrical and electronic equipment (WEEE).



This symbol indicates that this product shall not be disposed with other household wastes at the end of its service life. Used device must be returned to official collection point for recycling of electrical and electronic devices. To find these collection systems please contact to your local authorities or retailer where the product was purchased. Each household performs important role in recovering and recycling of old appliance. Appropriate disposal of used appliance helps prevent potential negative consequences for the environment and human health.

1.5. Compliance with RoHS Directive

The product you have purchased complies with EU RoHS Directive (2011/65/EU). It does not contain harmful and prohibited materials specified in the Directive.

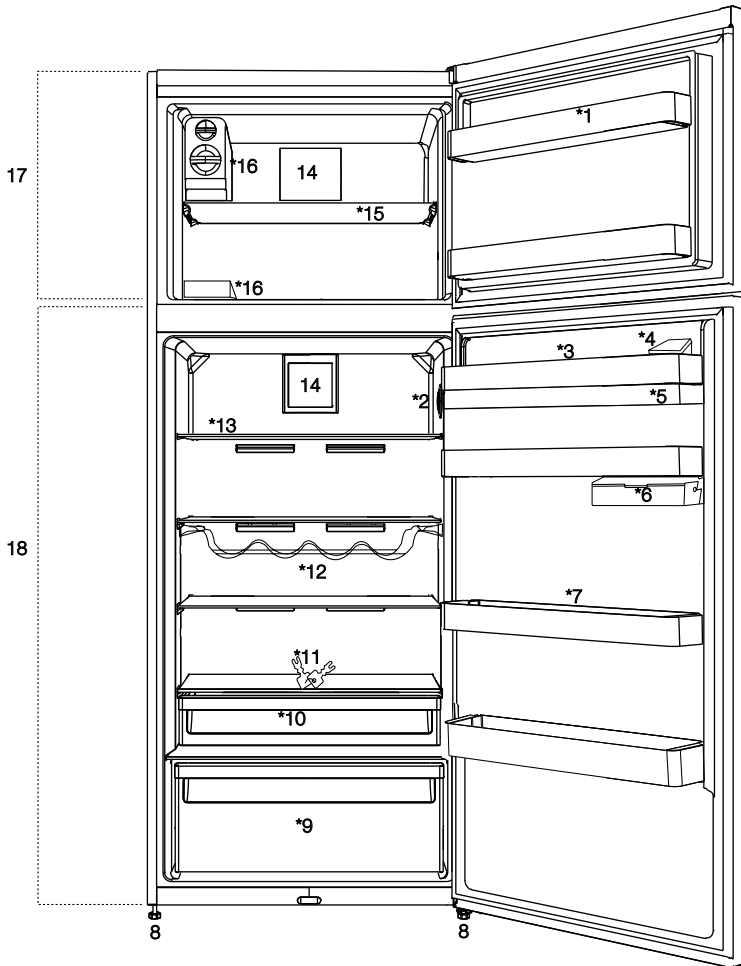
1.6. Package information



Packaging materials of the product are manufactured from recyclable materials in accordance with our National Environment Regulations.

Do not dispose of the packaging materials together with the domestic or other wastes. Take them to the packaging material collection points designated by the local authorities.

2 Your appliance





1. Fridge - compartment door shelf
2. Temperature setting button
3. Water dispenser filling tank
4. Egg section
5. Water dispenser reservoir
6. Storage container under the door shelf
7. Moving door shelf
8. Adjustable feet
9. Crisper
10. Chiller compartment
11. Lock and key
12. Bottle shelf
13. Fridge - compartment glass shelf
14. Fan
15. Freezer compartment shelf
16. Icebox / Ice-making compartment



***optional:** Figures in this user manual are given as an example and may not match the product exactly. If the relevant parts are not available in the product you purchased, the figure applies to other models.

3.1. Appropriate installation location

Contact an Authorized Service for the installation of the product. In order to prepare the product for use, refer the information in the user manual and ensure that electrical installation and water installation are appropriate. If not, call a qualified electrician and technician to have any necessary arrangements carried out.

	WARNING: Manufacturer shall not be held liable for damages that may arise from procedures carried out by unauthorized persons.
	WARNING: Product must not be plugged in during installation. Otherwise, there is the risk of death or serious injury!
	WARNING: If the door clearance of the room where the product shall be placed is so tight to prevent passing of the product, remove the door of the room and pass the product through the door by turning it to its side; if this does not work, contact the authorized service.

- Place the product on an even floor surface to prevent jolts.
- Install the product at least 30 cm away from heat sources such as hobs, heater cores and stoves and at least 5 cm away from electrical ovens.
- Product must not be subjected to direct sun light and kept in humid places.
- Your product requires adequate air circulation to function efficiently. If the product will be placed in an alcove, remember to leave at least 5 cm clearance between the product and the ceiling, rear wall and the side walls.
- If the product will be placed in an alcove, remember to leave at least 5 cm clearance between the product and the ceiling, rear wall and the side walls. Check if the rear wall clearance protection component is present at its location (if provided with the product). If the component is not available, or if it is lost or fallen, position the product so that at least 5 cm clearance shall be left between the rear surface of the product and the wall of the room. The clearance at the rear is important for efficient operation of the product.
- Do not install the product in places where the temperature falls below -5°C .

3.2. Installing the plastic wedges

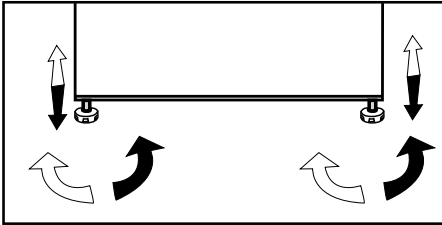
Plastic wedges supplied with the product are used to create the distance for the air circulation between the product and the rear wall.

1. To install the wedges, remove the screws on the product and use the screws supplied together with the wedges.
2. Insert the 2 plastic wedges onto the rear ventilation cover as illustrated in the figure.

Installation

3.3. Adjusting the feet

If the product stands unbalanced after installation, adjust the feet on the front by rotating them to the right or left.



Hot Surface Warning!
Side walls of your product is equipped with refrigerant pipes to improve the cooling system. Refrigerant with high temperatures may flow through these areas, resulting in hot surfaces on the side walls. This is normal and does not need any servicing. Please pay attention while touching these areas.

3.4. Electrical connection



WARNING: Do not make connections via extension cables or multi-plugs.



WARNING: Damaged power cable must be replaced by the Authorized Service Agent.



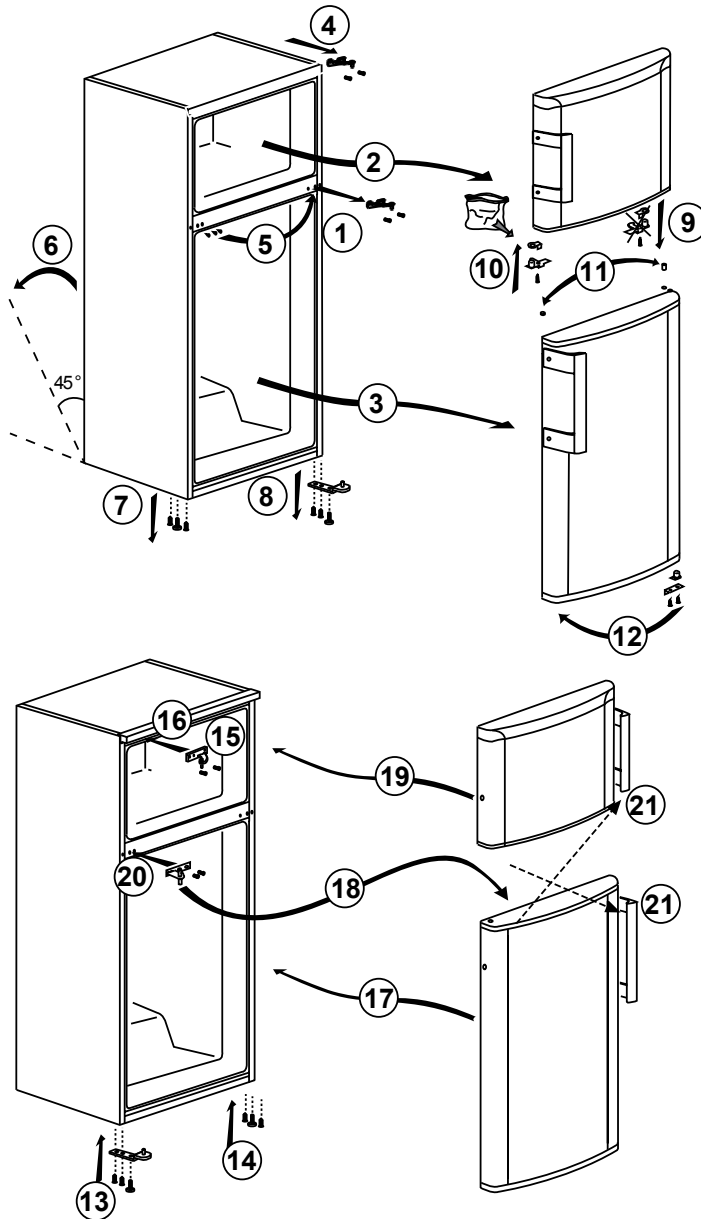
If two coolers are to be installed side by side, there should be at least 4 cm distance between them.

- Our company shall not be liable for any damages that will arise when the product is used without grounding and electrical connection in accordance with the national regulations.
- Power cable plug must be within easy reach after installation.
- Do not extension cords or cordless multiple outlets between your product and the wall outlet.

Installation

3.5.Reversing the doors

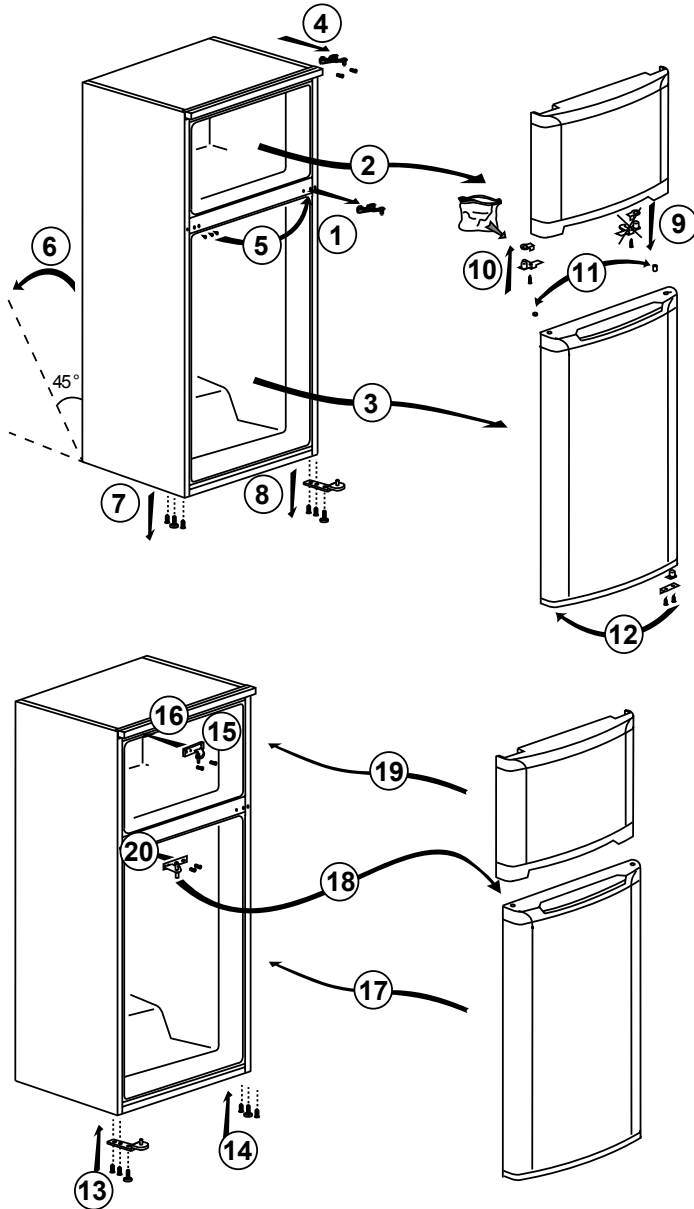
Proceed in numerical order .



Installation

3.6. Reversing the doors

Proceed in numerical order .

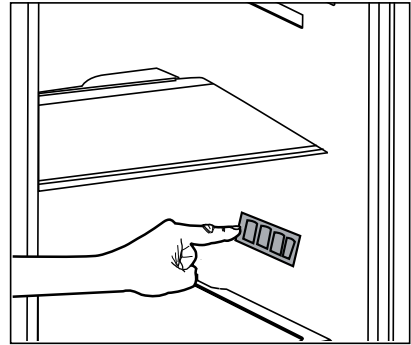


4.1. Things to be done for energy saving



Connecting the product to electric energy saving systems is risky as it may cause damage on the product.

- For a freestanding appliance; this refrigerating appliance is not intended to be used as a built-in appliance.
- Do not leave the doors of your refrigerator open for a long time.
- Do not put hot food or drinks in your refrigerator.
- Do not overload the refrigerator, cooling capacity will fall when the air circulation inside is hindered.
- In order to store maximum amount of food in the freezer compartment, the icematic, available in the freezer compartment and easily removable by hand, shall be taken out. Net volume and energy consumption values declared on the power data plate of your refrigerator are measured and tested by removing the icematic. Do not remove the shelves inside the freezer compartment and on the door of freezer compartment shall not be removed and they shall always be used they provide ease of use and efficiency in energy consumption.
- Airflow should not be blocked by placing foods on the sides of the freezer compartment fan. A minimum distance of 3 cm shall be provided on the sides of protective fan cover.
- The baskets/drawers that are provided with the chill compartment must always be in use for low energy consumption and for better storage conditions.
- Since hot and humid air will not directly penetrate into your product when the doors are not opened, your product will optimize itself in conditions sufficient to protect your food. In this energy saving function, functions and components such as compressor, fan, heater, defrost, lighting, display and so on will operate according to the needs to consume minimum energy while



maintaining the freshness of your foodstuff.

- Food contact with the temperature sensor in the freezer compartment may increase energy consumption of the appliance. Thus any contact with the sensor(s) must be avoided.
- Depending on the features of your product, thawing frozen food in fridge compartment will both provide energy saving and preserve the food quality.
- Do not allow contact of the food with the fridge compartment temperature sensor shown in the figure below.

4.2. Initial use

Before starting to use your refrigerator, ensure that all preparations are made in accordance with the instructions in sections "Instructions for safety and environment" and "Installation".

- Run the product without putting any food for 6 hours and do not open its door unless certainly required.



You will hear a noise when the compressor starts up. The liquids and gases sealed within the refrigeration system may also give rise to noise, even if the compressor is not running and this is quite normal.



Front edges of the product may feel warm. This is normal. These areas are designed to be warm to avoid condensation.



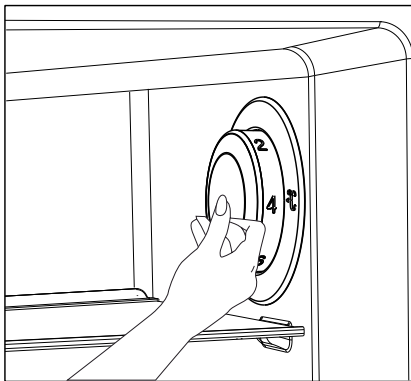
In some models, the instrument panel automatically turns off 5 minutes after the door has closed. It will be reactivated when the door has opened or pressed on any key.

5 Operating the product

5.1. Temperature setting button

The interior temperature of your refrigerator changes for the following reasons;

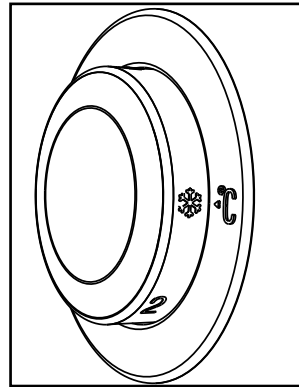
- Seasonal temperatures,
- Frequent opening of the door and leaving the door open for long periods,
- Food put into the refrigerator without cooling down to the room temperature,
- The location of the refrigerator in the room (e.g. exposing to sunlight),
- You may adjust the varying interior temperature due to such reasons by using the setting button.
- The numbers around the control knob indicate the temperature values in "°C".
- If the ambient temperature is 25°C, we recommend you to use the temperature control knob of your refrigerator at 4°C. This value may be increased or decreased as required in other ambient temperatures.



5.2. Fast freeze

If large amounts of fresh food are going to be frozen, adjust the temperature control knob to (❄️) max. 24 hours before putting the fresh food in the fast freeze compartment.

It is strongly recommended to keep the knob at this position at least 24 hours to freeze maximum amount of fresh food declared as freezing capacity. Take special care not to mix frozen food and fresh food.



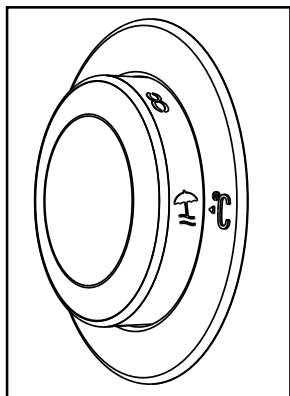
Operating the product

Remember to turn the temperature control knob back to its previous position once food has frozen.

5.3. Vacation function

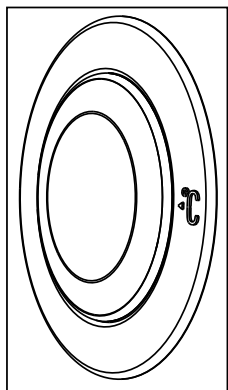
If the doors of the product are not opened for 12 hours after the temperature control knob is switched to the hottest position, then the vacation function will be activated automatically.

- When the setting operation is completed, you may press the temperature control knob and have it hidden.



To cancel the function, change the knob setting.

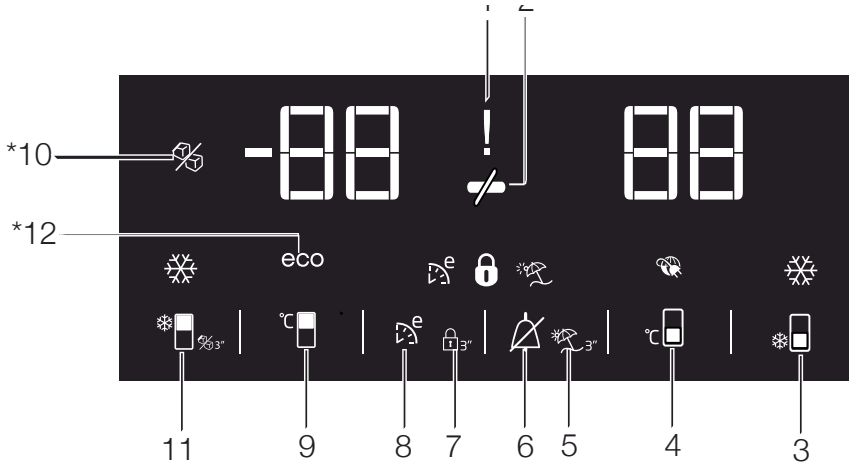
It is not recommended to store food in cooler compartment when the vacation function is active.



Operating the product

5.4. Indicator panel

Indicator panel allows you to set the temperature and control the other functions related to the product without opening the door of the product. Just press the inscriptions on relevant buttons for function settings.



1. Power Failure / High temperature / Error status indicator

This indicator (11) illuminates in case of power failure, high temperature and error warnings.

When the temperature of the freezer compartment is heated up to a critical level for the frozen food, the maximum value reached by the freezer compartment temperature flashes on the digital indicator.

Check the food in the freezer compartment.

This is not a malfunction. The warning may be deleted by pressing any button or on high temperature alarm off button. (Cancelling by pressing any button is not applicable for every model.)

This indicator illuminated when a sensor failure occurs, too. When this indicator is illuminated, "E" and figures such as "1,2,3..." are displayed alternatively on the temperature indicator. These figures on the indicator inform the service personnel about the error.

2. Energy saving function (display off):

If the product doors are kept closed for a long time energy saving function is automatically activated and energy saving symbol is illuminated. (12)

When energy saving function is activated, all symbols on the display other than energy saving symbol will turn off. When the Energy Saving



***Optional:** Figures in this user manual are schematic and may not match the product exactly. If the subject parts are not included in the product you have purchased, then those parts are valid for other models.

Operating the product

function is activated, if any button is pressed or the door is opened, energy saving function will be canceled and the symbols on display will return to normal.

Energy saving function is activated during delivery from factory and cannot be canceled.

3. Quick fridge function

The button has two functions. To activate or deactivate the quick cool function press it briefly. Quick Cool indicator will turn off and the product will return to its normal settings.



Use quick cooling function when you want to quickly cool the food placed in the fridge compartment. If you want to cool large amounts of fresh food, activate this function before putting the food into the product.



If you do not cancel it, quick cooling will cancel itself automatically after 8 hours or when the fridge compartment reaches to the required temperature.



If you press the quick cooling button repeatedly with short intervals, the electronic circuit protection will be activated and the compressor will not start up immediately.



This function is not recalled when power restores after a power failure.

4. Fridge compartment temperature setting button

Press this button to set the temperature of the fridge

compartment to 8, 7, 6, 5, 4, 3, 2, 8... respectively. Press this button to set the fridge compartment temperature to the desired value. (°C)

5. Vacation Function

In order to activate vacation function, press the this button (☀) for 3 seconds, and the vacation mode indicator (☀) will be activated. When the vacation function is activated, "- -" is displayed on the fridge compartment temperature indicator and no active cooling is performed on the fridge compartment. It is not suitable to keep the food in the fridge compartment when this function is activated. Other compartments shall be continued to be cooled as per their set temperature.

To cancel this function press **Vacation function** button again.

6. Termination of the High Temperature Warning

In case of power failure/high temperature warning, you may delete the warning (⚠) by pressing any button on the indicator or high temperature alarm off button for 1 second after checking the food inside the freezer compartment.

Note: Cancelling by pressing any button is not applicable for every model.

7. Key lock

Press key lock button (🔒) simultaneously for 3 seconds. Key lock symbol (🔒) will light up and key lock mode will be activated. Buttons will not function if the Key lock mode is active. Press key lock button

Operating the product

simultaneously for 3 seconds again. Key lock symbol will turn off and the key lock mode will be exited.

Press the **key lock** button if you want to prevent changing of the temperature setting of the refrigerator (🔒).

8. Eco fuzzy

Press and hold eco fuzzy button for 1 seconds to activate eco fuzzy function. Refrigerator will start operating in the most economic mode at least 6 hours later and the economic usage indicator will turn on when the function is active (🌿). Press and hold eco fuzzy function button for 3 seconds to deactivate eco fuzzy function.

This indicator is illuminated after 6 hours when eco fuzzy is activated.

9. Freezer compartment temperature setting button

Press this button to set the temperature of the freezer compartment to -18,-19,-20,-21,-22,-23,-24,-18... respectively. Press this button to set the freezer compartment temperature to the desired value. (❄️)

10. Icematic off indicator

Indicates whether the icematic is on or off. (🌊) If On, then the icematic is not operating. To operate the icematic again press and hold the On-Off button for 3 seconds.



Water flow from water tank will stop when this function is selected. However, ice made previously can be taken from the icematic.

11. Quick freeze function button/ icematic on-off button

Press this button to activate or deactivate the quick freezing function. When you activate the function, the freezer compartment will be cooled to a temperature lower than the set value. (❄️)

To turn on and off the icematic press and hold it for 3 seconds.



Use the quick freeze function when you want to quickly freeze the food placed in fridge compartment. If you want to freeze large amounts of fresh food, activate this function before putting the food into the product.



If you do not cancel it, Quick Freeze will cancel itself automatically after 4 hours or when the fridge compartment reaches to the required temperature.



This function is not recalled when power restores after a power failure.

12. Economic usage indicator

Indicates that the product is running in energy-efficient mode. This indicator will be active if the Freezer Compartment temperature is set to -18 or the energy efficient cooling is being performed due to Eco-Extra function.



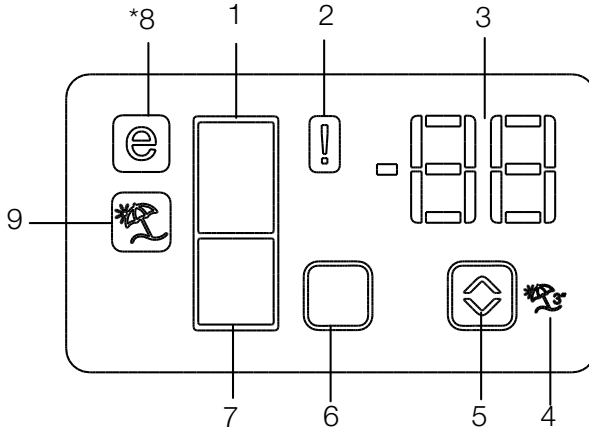
Economic usage indicator is turned off when quick cooling or quick freeze functions are selected.

Operating the product

5.5. Indicator panel

Indicator panels may vary according to the product model.

Audio - visual functions on the indicator panel helps you in using your product.



1. Fridge Compartment Indicator
2. Error status indicator
3. Temperature indicator
4. Vacation function button
5. Temperature setting button
6. Compartment selection button
7. Freezer compartment indicator
8. Economy mode indicator
9. Vacation function indicator

***optional**



***Optional:** Figures in this user manual are schematic and may not match the product exactly. If the subject parts are not included in the product you have purchased, then those parts are valid for other models.

Operating the product

1. Fridge compartment indicator

Fridge compartment light is illuminated while the fridge compartment temperature is set.

2. Error status indicator

If your refrigerator does not perform enough cooling or in case of a sensor fault, this indicator is activated.

When this indicator is activated, "E" is displayed on the freezer compartment temperature indicator, and numbers such as "1,2,3..." are displayed on the fridge compartment temperature indicator. These numbers on the indicator inform service personnel about the error.

3. Temperature indicator

Indicates freezer, fridge compartment temperature.

4. Vacation function button

Press on Vacation Button for 3 seconds to activate this function.

When the vacation function is activated, "- -" is displayed on the fridge compartment temperature indicator and no active cooling is performed on the fridge compartment. It is not suitable to keep the food in the fridge compartment when this function is activated. Other compartments shall be continued to be cooled as per their set temperature.

To cancel this function press **Vacation** button again.

5. Temperature setting button

Changes the temperature of the relevant compartment between -24°C... -18°C and 8°C...1°C.

6. Compartment selection button

Selection button: Press compartment selection button to switch between fridge and freezer compartments.

7. Freezer compartment indicator

Fridge compartment light is illuminated while the freezer compartment temperature is set.

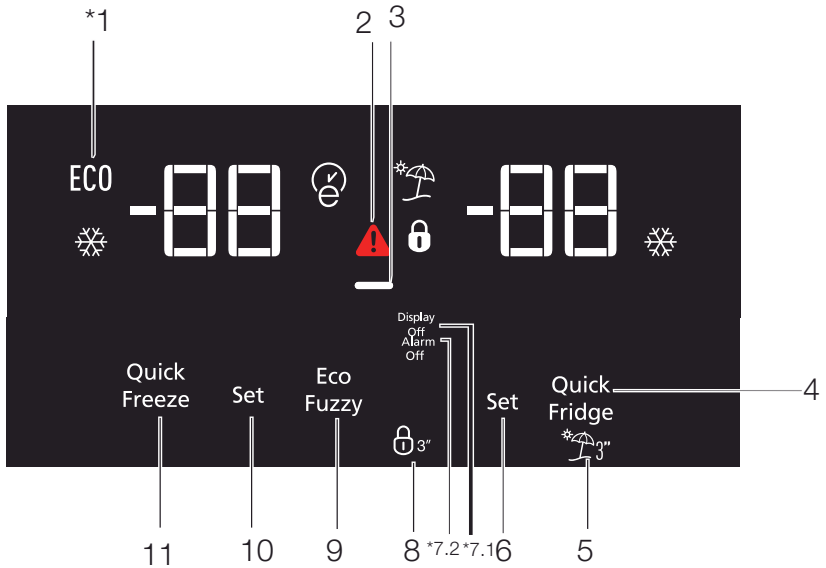
8. Economy mode indicator

Indicates that the refrigerator operates in energy saving mode. This display shall be activated if the freezer compartment temperature is set to -18°C.

9. Vacation function indicator

Indicates that vacation is activated.

Operating the product



1. Economy

This symbol is illuminated when the freezer compartment is set to -18°C as the most economical setting value (ECO). Economy indicator is turned off when quick cooling or quick freeze functions are selected.

2. High temperature / error warning indicator

This indicator (⚠) illuminates during high temperature failures and error warnings.

3. Energy saving function (display off)

If the product doors are kept closed for a long time energy saving function is automatically activated and energy saving symbol is illuminated. When energy saving function is activated, all symbols on the display other than energy saving symbol will turn off. When the Energy Saving function is activated, if any button is pressed or the door is opened, energy saving function will be canceled and the symbols on display will return to normal.



***Optional:** Figures in this user manual are schematic and may not match the product exactly. If the subject parts are not included in the product you have purchased, then those parts are valid for other models.

Operating the product

Energy saving function is activated during delivery from factory and cannot be canceled.

4. Quick cool

Quick cooling indicator (❄️) is illuminated when quick cooling function is activated and fridge compartment temperature indicator value is displayed as 1. To cancel this function press Quick cooling button again. Quick cooling indicator will turn off and refrigerator will return to its normal settings. Quick cooling function is canceled automatically in 1 hour if you do not cancel it before. If you want to cool large amounts of fresh food, press the Quick cooling button before putting the food into the fridge compartment.

5. Vacation function

In order to activate vacation function, press the button no.

(🏖️) for 3 seconds, and the vacation mode indicator activates. When the vacation function is activated, "- -" is displayed on the fridge compartment temperature indicator and no active cooling is performed on the fridge compartment. It is not suitable to keep the food in the fridge compartment when this function is activated. Other compartments shall be continued to be cooled as per their set temperature.

To cancel this function press **Vacation function** button again.

6. Fridge compartment temperature setting

When the button no. is pressed, you may set the temperature of the fridge compartment to 8,7,6,5,4,3,2 and 1 respectively (📺).

7.1 Energy saving function (display off):

Energy saving symbol (⏻) is illuminated and Energy saving function is activated when you press this button (⏻). When energy saving function is activated, all symbols on the display other than energy saving symbol will turn off. When the Energy Saving function is activated, if any button is pressed or the door is opened, energy saving function will be canceled and the symbols on display will return to normal. Energy saving symbol is turned off and energy saving function is deactivated when you press this button (⏻) again.

7.2. Alarm off warning:

In case of power failure/high temperature alarm, after checking the food located in the freezer compartment press the alarm off button to clear the warning.

8. Key lock

Press key lock button (🔒) simultaneously for 3 seconds. Key lock symbol (🔒) will light up and key lock mode will be activated. Buttons will not function if the Key lock mode is active. Press key lock button simultaneously for 3 seconds again.

Operating the product

Key lock symbol will turn off and the key lock mode will be exited.

Press the **key lock** button if you want to prevent changing of the temperature setting of the refrigerator (🔒).

9. Eco fuzzy

Press and hold eco fuzzy button for 1 seconds to activate eco fuzzy function. Refrigerator will start operating in the most economic mode at least 6 hours later and the economic usage indicator will turn on when the function is active (🌿). Press and hold eco fuzzy function button for 3 seconds to deactivate eco fuzzy function.

This indicator is illuminated after 6 hours when eco fuzzy is activated.

10. Freezer compartment temperature setting

Temperature setting for freezer compartment is performed here. When button no. is pressed, you may set the temperature of the freezer compartment to -18, -19, -20, -21, -22, -23 and -24 respectively.

11. Fast freeze

Press button no. for fast freeze operation, quick freeze indicator (❄️) shall be activated.

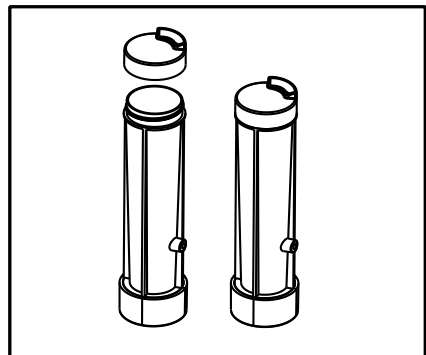
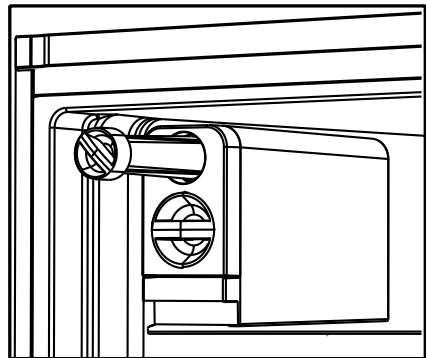
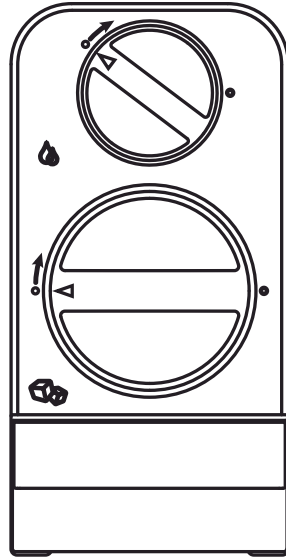
Quick freeze indicator is illuminated when quick freeze function is activated and fridge compartment temperature indicator is displayed as -27. To cancel this function press quick freeze button (❄️) again. Quick freeze indicator will turn off and refrigerator will return to its normal settings. Quick freeze function is canceled automatically in 24 hour if you do not cancel it before. If you want to freeze large amounts of fresh food, press the quick freeze button before putting the food into the freezer compartment.

Operating the product

5.6. Twist Ice - matic

(This feature is optional)

- Remove the water tank by rotating it to the left.
- Open the water tank cover by turning it and add water to the water tank up to the lower part of the water tank cover.
- Place the water tank on its place as shown in the figure after adding water and have it seated by rotating it on the direction of the arrow. Water shall be poured down to the icebank.
- When ice has formed, rotate icebank knob in the direction of the arrow to allow that the ice is dropped down to the ice drawer.
- Take the ice cubes by pulling ice drawer out.
- Pull the front face towards you in order to wash the icebank, and put it on the slides on the interior area and push it to its place in order to replace it.
- Pull the twist icematic unit towards you in order to remove the unit, and put it on the slides on the ceiling and push it to its place in order to replace it.



Operating the product

5.7. Ice container

- Remove the ice container from the freezer compartment.
- Fill the ice container with water.
- Place the ice container in the freezer compartment. About two hours later, the ice is ready.
- Remove the ice container from the freezer compartment and bend it over the service plate. Ice cubes will easily fall down to the service plate.

5.8. Egg holder

You can install the egg holder to the desired door or body shelf. If it will be placed on body shelves than the lower cooler shelves are recommended.

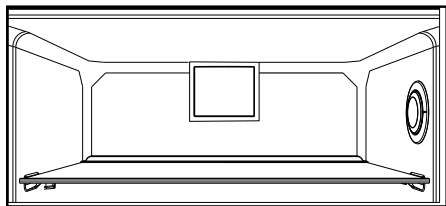


Never place the egg holder in the freezer compartment

5.9. Fan

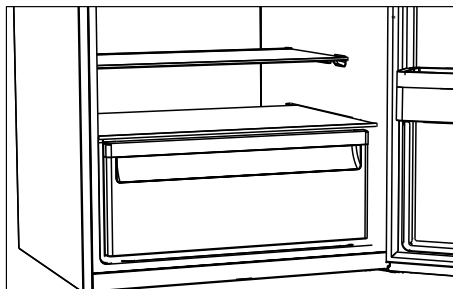
Fan is designed to ensure homogeneous distribution and circulation of the cold air inside your refrigerator. Operation time of the fan may vary depending on the properties of your product.

While the fan works only with the compressor in some products, the control system determines its operation time in some products in accordance with the cooling requirement.



5.10. Crisper

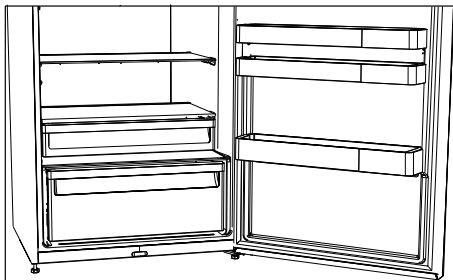
Crisper of the product is designed specially to keep the vegetables fresh without losing their humidity. For this purpose, cool air circulation is intensified around the crisper in general.



5.11. Chiller compartment

(This feature is optional)

Use this compartment to store delicatessen that shall be stored in a lower temperature or meat products that you will consume in a short time. Chiller compartment is the coolest place in your refrigerator where you can keep dairy products, meat, fish and poultry under ideal storage conditions. Fruits and vegetables should not be stored in this compartment.



Operating the product

5.12. Moving door shelf

(This feature is optional)

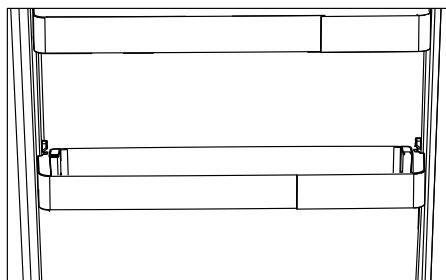
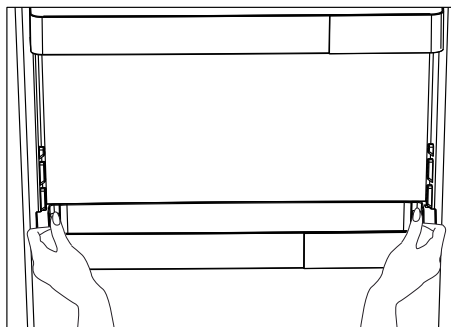
Moving door shelf may be fixed in 3 different positions.

Press the buttons shown in the sides at the same amount in order to move the shelf. Shelf shall be movable.

Move the shelf up or down.

Release the buttons when you have the shelf in the desired position.

Shelf shall be fixed on the position where you release the buttons.

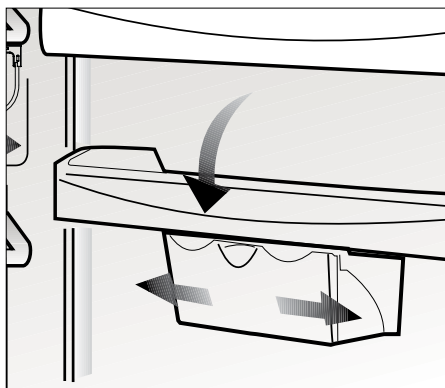


5.13. Sliding storage container

(This feature is optional)

This accessory is designed to increase the usable volume of the door shelves.

It allows you to easily place the tall bottles, jars and tins to the lower bottle shelf thanks to its ability to move right or left.



Operating the product

5.14. Humidity controlled crisper

(FreSHelf)

(This feature is optional)

Humidity rates of the vegetables and fruit are kept under control with the feature of humidity-controlled crisper and the food is ensured to stay fresh for longer.

We recommend you to place the leafy vegetables such as lettuce, spinach and the vegetables which are sensitive to humidity loss, in a horizontal manner as much as possible inside the crisper, not on their roots in a vertical position.

While the vegetables are being placed, specific gravity of the vegetables should be taken into consideration. Heavy and hard vegetables should be put at the bottom of the crisper and the lightweight and soft vegetables should be placed over.

Never leave the vegetables inside the crisper in their bags. If the vegetables are left inside their bags, this will cause them to decompose in a short period of time. In case contacting with other vegetables is not preferred for hygiene concerns, use a perforated paper and other similar packaging materials instead of a bag.

Do not place together the pear, apricot, peach, etc. and apple in particular which have a high level of generation of ethylene gas in the same crisper with the other vegetables and fruit. The ethylene gas which is emitted by these fruit may cause the other fruit to ripen faster and decompose in a shorter time.

5.15. Auto Icematic

(This feature is optional)

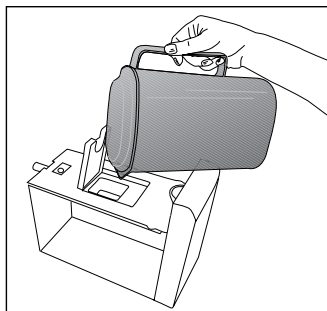
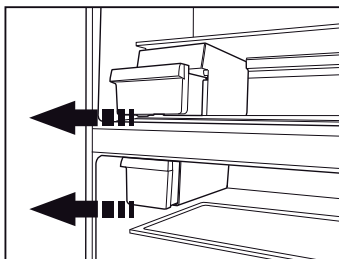
The Auto Icematic allows you to make ice in the fridge easily. Remove the water tank in the fridge compartment, fill it with water and install it back to obtain ice from the Icematic.

First ice cubes will be ready in approximately 2 hours in the Icematic drawer located in the freezer compartment.

If you fill the water tank completely, you will be able to obtain approximately 60-70 ice cubes. Change the water in water tank if it has waited around 2-3 weeks.



For the products having automatic Icematic, sound may be heard during ice pouring. This sound is normal and does not signal any error.



Operating the product

5.16. Description and cleaning of odor filter

(This feature is optional)

Odor filter prevents unpleasant odor build-up in your product.

1. Pull the cover into which the odor filter is installed downwards from the front section and remove as illustrated.
2. Leave the filter under sunlight for one day. Filter will be cleaned during this time.
3. Install the filter back to its place.



Odor filter must be cleaned once in a year.

5.17. HerbBox/HerbFresh

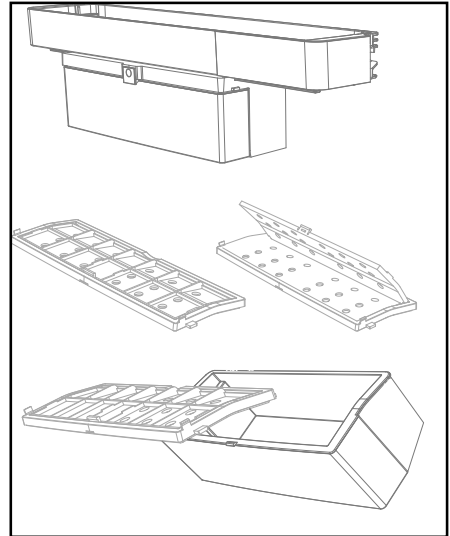
Remove the film container from HerbBox/HerbFresh+

Take the film out of the bag and put it into the film container as shown in the image.

Seal the container again and replace it into HerbBox/HerbFresh+ unit.

HerbBox-HerbFresh+ sections are especially ideal for storage of various herbs that are supposed to be kept in delicate conditions. You can store your unbagged herbs (parsley, dill, etc.) in this section horizontally and keep them fresh for a much longer period.

The film shall be replaced in every six months.



Operating the product

5.18. Using the water dispenser

***optional**



It is normal for the first few glasses of water taken from the dispenser to be warm.

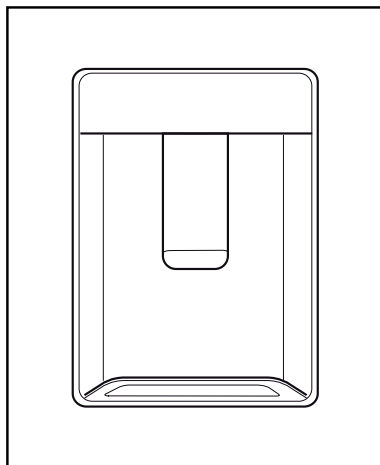


If the water dispenser is not used for a long period of time, dispose of first few glasses of water to obtain fresh water.

1. Push in the lever of the water dispenser with your glass. If you are using a soft plastic cup, pushing the lever with your hand will be easier.
2. After filling the cup up to the level you want, release the lever.



Please note, how much water flows from the dispenser depends on how far you depress the lever. As the level of water in your cup / glass rises, gently reduce the amount of pressure on the lever to avoid overflow. If you slightly press the arm, the water will drip; this is quite normal and not a failure.



5.19. Using the water dispenser

***optional**



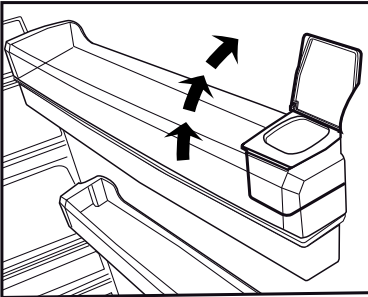
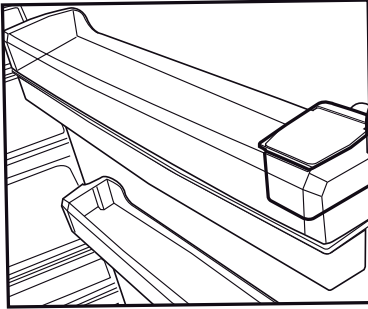
It is normal for the first few glasses of water taken from the dispenser to be warm.



If the water dispenser is not used for a long period of time, dispose of first few glasses of water to obtain fresh water.

1. Push in the lever of the water dispenser with your glass. If you are using a soft plastic cup, pushing the lever with your hand will be easier.
2. After filling the cup up to the level you want, release the lever.

Operating the product



Please note, how much water flows from the dispenser depends on how far you depress the lever. As the level of water in your cup / glass rises, gently reduce the amount of pressure on the lever to avoid overflow. If you slightly press the arm, the water will drip; this is quite normal and not a failure.

5.20. Filling the water dispenser's tank

Water tank filling reservoir is located inside the door rack.

1. Open the cover of the tank.
2. Fill the tank with fresh drinking water.
3. Close the cover.



Do not fill the water tank with any other liquid except for water such as fruit juices, carbonated beverages or alcoholic drinks which are not suitable to use in the water dispenser. Water dispenser will be irreparably damaged if these kinds of liquids are used. Warranty does not cover such usages. Some chemical substances and additives contained in these kinds of drinks/liquids may damage the water tank.



Use clean drinking water only.



Capacity of the water tank is 3 litres; do not overfill.

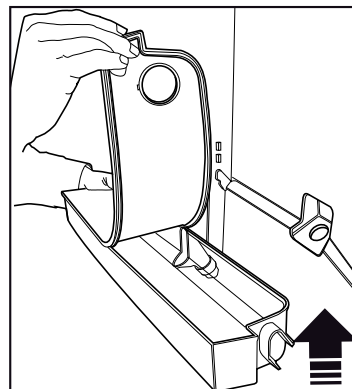
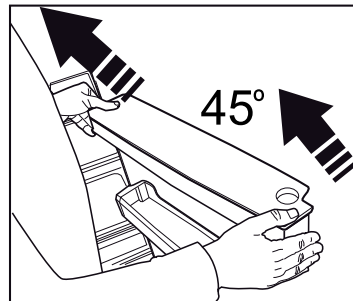
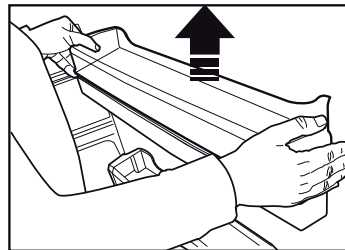
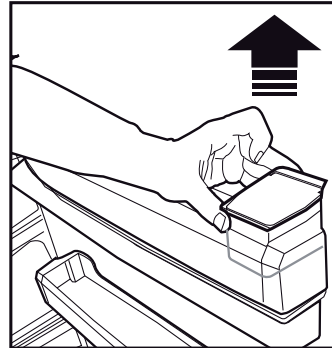
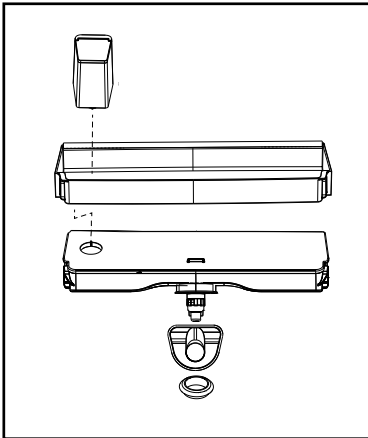
Operating the product

5.21. Cleaning the water tank

1. Remove the water filling reservoir inside the door rack.
2. Remove the door rack by holding from both sides.
3. Grab the water tank from both sides and remove it with an angle of 45°.
4. Remove the cover of the water tank and clean the tank.



Components of the water tank and water dispenser should not be washed in dishwasher.



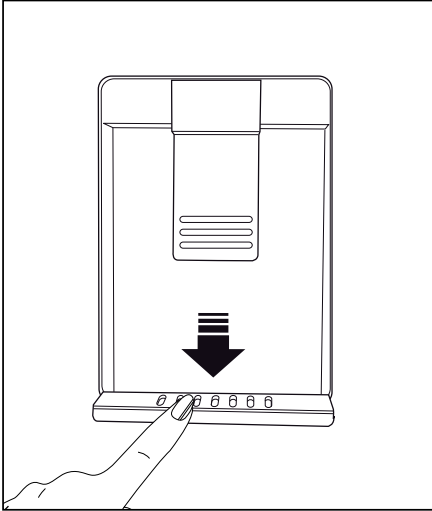
Operating the product

5.22. Drip tray

Water that dripped while using the water dispenser accumulates in the spillage tray.

Remove the plastic filter as shown in the figure.

With a clean and dry cloth, remove the water that has accumulated.



5.23. Blue light/ HarvestFresh

***May not be available in all models**

For the blue light,

Fruits and vegetables stored in the crispers that are illuminated with a blue light continue their photosynthesis by means of the wavelength effect of blue light and thus preserve their vitamin content.

For HarvestFresh,

Fruits and vegetables stored in crispers illuminated with the HarvestFresh technology preserve their vitamins for a longer time thanks to the blue, green, red lights and dark cycles, which simulate a day cycle.

If you open the door of the refrigerator during the dark period of the HarvestFresh technology, the refrigerator will automatically detect this and enable the blue-green or red light to illuminate the crisper for your convenience. After you have closed the door of the refrigerator, the dark period will continue, representing the night time in a day cycle.

Operating the product

5.24. Freezing fresh food

- In order to preserve the quality of the food, it shall be frozen as quickly as possible when it is placed in the freezer compartment, use the fast freezing feature for this purpose.
- You may store the food longer in freezer compartment when you freeze them while they are fresh.
- Pack the food to be frozen and close the packing so that it would not allow entrance of air.
- Ensure that you pack your food before putting them in the freezer. Use freezer containers, foils and moisture-proof papers, plastic bags and other packing materials instead of traditional packing papers.
- Label each pack of food by adding the date before freezing. You may distinguish the freshness of each food pack in this way when you open your freezer each time. Store the food frozen before in the front side of compartment to ensure that they are used first.



The freezer compartment defrosts automatically.

- Frozen food must be used immediately after they are thawed and they should not be re-frozen.
- Do not freeze too large quantities of food at one time.

Freezer Compartment Setting	Fridge compartment Setting	Remarks
-18°C	4°C	This is the normal recommended setting.
-20,-22 or -24°C	4°C	These settings are recommended when the ambient temperature exceeds 30°C.
Quick Freeze	4°C	Use when you wish to freeze your food in a short time. Your product will return to its previous mode when the process is over.
-18°C or colder	2°C	Use these settings if you think that your fridge compartment is not cold enough because of the hot ambient conditions or frequent opening and closing of the door.

Operating the product

5.25. Recommendations for preserving the frozen food

Compartment shall be set to -18°C at least.

1. Put packages in the freezer as quickly as possible after purchase without allowing the to thaw.
2. Check whether the "Use By" and "Best Before" dates on the packaging are expired or not before freezing it.
3. Ensure that the package of the food is not damaged.

5.26. Deep-freeze information

According to IEC 62552 standards, the product shall freeze at least 4.5 kg of food at 25°C ambient temperature to -18°C or lower within 24 hours for every 100-litres of freezer volume. It is possible to preserve the food for a long time only at -18°C or lower temperatures.

You can keep the freshness of food for many months (at -18°C or lower temperatures in the deep freeze). Foods to be frozen should not be allowed to come in contact with the previously frozen items to prevent them from getting thawed partially.

Boil the vegetables and drain their water in order to store vegetables for a longer time as frozen. After draining their water, put them in air-proof packages and place them inside the freezer. Food such as bananas, tomatoes, lettuce, celery, boiled eggs, potatoes are not suitable for freezing. When these foods are frozen, only their nutritional value and taste shall be affected negatively. They shall not be spoiled so that they would create a risk for human health.

5.27. Placing the food

Freezer compartment shelves	Various frozen food such as meat, fish, ice cream, vegetables and etc.
Refrigerator compartment shelves	Food in pans, covered plates and closed containers, eggs (in closed container)
Door shelves of fridge compartment	Small and packaged food or beverage
Crisper	Vegetables and fruits
Fresh zone compartment	Delicatessen (breakfast food, meat products that shall be consumed in a short time)

Operating the product

5.28. Door open warning

(This feature is optional)

Door open warning is given to user both visually and acoustically. If the warning continues for 10 minutes, interior lights will be turned off.

5.29. Changing the door opening direction

Door opening direction of your refrigerator can be changed according to the place you are using it. If this is necessary, please call your nearest Authorized Service.

Above description is a general expression. For information on changing the opening direction of the door, you must refer to the warning label located on the inner side of the door.

5.30. Illumination lamp

LED lamps are used as illumination lamps. Contact authorized service in case of any problem with this type of light.

The lamp(s) used in this appliance is not suitable for household room illumination. The intended purpose of this lamp is to assist the user to place foodstuffs in the refrigerator/freezer in a safe and comfortable way.

Service life of the product is increase if it is regularly cleaned



WARNING: First unplug the product before cleaning your refrigerator.

- Never use any sharp and abrasive tools, soap, household cleaners, detergent and wax polish for cleaning.
- Dissolve one teaspoon of carbonate in half liter of water. Soak a cloth with the solution and wrung it thoroughly. Wipe the interior of the appliance with this cloth and the dry thoroughly.
- Make sure that no water enters the lamp housing and other electrical items.
- Clean the door with a damp cloth. To remove door and body shelves, remove all of its contents. Remove door shelves by moving them upwards. After cleaning, slide them from top to bottom to install.
- Never use cleaning agents or water that contain chlorine to clean the outer surfaces and chromium coated parts of the product. Chlorine causes corrosion on such metal surfaces.
- Do not use sharp, abrasive tools, soap, household cleaning agents, detergents, kerosene, fuel oil, varnish etc. to prevent removal and deformation of the prints on the plastic part. Use lukewarm water and a soft cloth for cleaning and then wipe it dry.

6.1. Avoiding bad odors

Materials that may cause odor are not used in the production of our appliances. However, due to inappropriate food preserving conditions and not cleaning the inner surface of the appliance as required can bring forth the problem of odor.

Therefore, clean the refrigerator with carbonate dissolved in water every 15 days.

- Keep the food in closed containers. Microorganisms spreading out from uncovered containers can cause unpleasant odours.
- Never keep the food that have expired best before dates and spoiled in the refrigerator.

6.2. Protecting the plastic surfaces

Clean with arm water immediately as the oil may cause damage on the surface when it is poured on plastic surfaces.

6.3. Door Glasses

Remove the protective foil on the glasses.

There is a coating on the surface of the glasses. This coating minimizes the stain build-up and helps to remove the possible stains and dirt easily. Glasses that are not protected with such a coating may be subject to persistent binding of air or water based organic or inorganic dirt such as limescale, mineral salts, unburned hydrocarbons, metal oxides and silicones that can easily and quickly cause stains or material damage. Keeping the glass clean becomes too difficult despite the regular cleaning. Consequently, the appearance and the transparency of the glass deteriorates. Harsh and corrosive cleaning methods and compounds will intensify these defects and speed up the deterioration process.

Water-based cleaning products that are not alkaline and corrosive must be used for regular cleaning purposes.

Non-alkaline and non-corrosive materials must be used for cleaning so that the service life of this coating lasts for a long time.

These glasses are tempered to increase their durability against impacts and breaking. A safety film is also applied to their rear surfaces as an extra safety measure in order to prevent them from causing damage to their surrounding in case of a breakage.

*Alkali is a base that forms hydroxide ions (OH^-) when it is dissolved in water. Li (Lithium), Na (Sodium), K (Potassium) Rb (Rubidium), Cs (Cesium) and artificial and radioactive Fr (Francium) metals are called ALKALI METALS.

7 Troubleshooting

Check this list before contacting the service. Doing so will save you time and money. This list includes frequent complaints that are not related to faulty workmanship or materials. Certain features mentioned herein may not apply to your product.

The refrigerator is not working.

- The power plug is not fully settled. >>> Plug it in to settle completely into the socket.
- The fuse connected to the socket powering the product or the main fuse is blown. >>> Check the fuses.

Condensation on the side wall of the cooler compartment (MULTI ZONE, COOL, CONTROL and FLEXI ZONE).

- The door is opened too frequently >>> Take care not to open the product's door too frequently.
- The environment is too humid. >>> Do not install the product in humid environments.
- Foods containing liquids are kept in unsealed holders. >>> Keep the foods containing liquids in sealed holders.
- The product's door is left open. >>> Do not keep the product's door open for long periods.
- The thermostat is set to too low temperature. >>> Set the thermostat to appropriate temperature.

Compressor is not working.

- In case of sudden power failure or pulling the power plug off and putting back on, the gas pressure in the product's cooling system is not balanced, which triggers the compressor thermic safeguard. The product will restart after approximately 6 minutes. If the product does not restart after this period, contact the service.
- Defrosting is active. >>> This is normal for a fully-automatic defrosting product. The defrosting is carried out periodically.
- The product is not plugged in. >>> Make sure the power cord is plugged in.
- The temperature setting is incorrect. >>> Select the appropriate temperature setting.

- The power is out. >>> The product will continue to operate normally once the power is restored.

The refrigerator's operating noise is increasing while in use.

- The product's operating performance may vary depending on the ambient temperature variations. This is normal and not a malfunction.

The refrigerator runs too often or for too long.

- The new product may be larger than the previous one. Larger products will run for longer periods.
- The room temperature may be high. >>> The product will normally run for long periods in higher room temperature.
- The product may have been recently plugged in or a new food item is placed inside. >>> The product will take longer to reach the set temperature when recently plugged in or a new food item is placed inside. This is normal.
- Large quantities of hot food may have been recently placed into the product. >>> Do not place hot food into the product.
- The doors were opened frequently or kept open for long periods. >>> The warm air moving inside will cause the product to run longer. Do not open the doors too frequently.
- The freezer or cooler door may be ajar. >>> Check that the doors are fully closed.
- The product may be set to temperature too low. >>> Set the temperature to a higher degree and wait for the product to reach the adjusted temperature.
- The cooler or freezer door washer may be dirty, worn out, broken or not properly settled. >>> Clean or replace the washer. Damaged / torn door washer will cause the product to run for longer periods to preserve the current temperature.

The freezer temperature is very low, but the cooler temperature is adequate.

- The freezer compartment temperature is set to a very low degree. >>> Set the freezer compartment temperature to a higher degree and check again.

Troubleshooting

The cooler temperature is very low, but the freezer temperature is adequate.

- The cooler compartment temperature is set to a very low degree. >>> Set the freezer compartment temperature to a higher degree and check again.

The food items kept in cooler compartment drawers are frozen.

- The cooler compartment temperature is set to a very low degree. >>> Set the freezer compartment temperature to a higher degree and check again.

The temperature in the cooler or the freezer is too high.

- The cooler compartment temperature is set to a very high degree. >>> Temperature setting of the cooler compartment has an effect on the temperature in the freezer compartment. Wait until the temperature of relevant parts reach the sufficient level by changing the temperature of cooler or freezer compartments.
- The doors were opened frequently or kept open for long periods. >>> Do not open the doors too frequently.
- The door may be ajar. >>> Fully close the door.
- The product may have been recently plugged in or a new food item is placed inside. >>> This is normal. The product will take longer to reach the set temperature when recently plugged in or a new food item is placed inside.
- Large quantities of hot food may have been recently placed into the product. >>> Do not place hot food into the product.

Shaking or noise.

- The ground is not level or durable. >>> If the product is shaking when moved slowly, adjust the stands to balance the product. Also make sure the ground is sufficiently durable to bear the product.
- Any items placed on the product may cause noise. >>> Remove any items placed on the product.

The product is making noise of liquid flowing, spraying etc.

- The product's operating principles involve liquid and gas flows. >>> This is normal and not a malfunction.

There is sound of wind blowing coming from the product.

- The product uses a fan for the cooling process. This is normal and not a malfunction.

There is condensation on the product's internal walls.

- Hot or humid weather will increase icing and condensation. This is normal and not a malfunction.
- The doors were opened frequently or kept open for long periods. >>> Do not open the doors too frequently; if open, close the door.
- The door may be ajar. >>> Fully close the door.

There is condensation on the product's exterior or between the doors.

- The ambient weather may be humid, this is quite normal in humid weather. >>> The condensation will dissipate when the humidity is reduced.

The interior smells bad.

- The product is not cleaned regularly. >>> Clean the interior regularly using sponge, warm water and carbonated water.
- Certain holders and packaging materials may cause odour. >>> Use holders and packaging materials without free of odour.
- The foods were placed in unsealed holders. >>> Keep the foods in sealed holders. Micro-organisms may spread out of unsealed food items and cause malodour. Remove any expired or spoiled foods from the product.

The door is not closing.

- Food packages may be blocking the door. >>> Relocate any items blocking the doors.
- The product is not standing in full upright position on the ground. >>> Adjust the stands to balance the product.
- The ground is not level or durable. >>> Make sure the ground is level and sufficiently durable to bear the product.

The vegetable bin is jammed.

Troubleshooting

- The food items may be in contact with the upper section of the drawer. >>> Reorganize the food items in the drawer.

If The Surface Of The Product Is Hot.

- High temperatures may be observed between the two doors, on the side panels and at the rear grill while the product is operating. This is normal and does not require service maintenance! Be careful when touching these areas.



WARNING:

If the problem persists after following the instructions in this section, contact your vendor or an Authorised Service. Do not try to repair the product.

Gentile cliente,

ci piacerebbe che lei potesse raggiungere un livello di efficacia ottimale dal nostro prodotto, che è stato realizzato in una struttura moderna, adottando controlli meticolosi a livello qualitativo.

A tal fine la invitiamo a leggere con attenzione il manuale dell'utente prima di iniziare a servirsi del dispositivo. La invitiamo altresì a conservare il presente manuale per poterlo consultare in futuro. Qualora dovesse cedere il prodotto a terzi, consigliamo di accludere il presente manuale.



Il manuale dell'utente garantisce un utilizzo veloce e sicuro dell'apparecchiatura.

- Consigliamo di leggere il manuale dell'utente prima di installare e mettere in funzione l'apparecchiatura.
- Rispettare sempre le istruzioni di sicurezza.
- Consigliamo di tenere la guida dell'utente a portata di mano per poterla consultare in futuro.
- La invitiamo a leggere gli altri eventuali documenti forniti con l'apparecchiatura. Ricordi che questo manuale può riferirsi a diversi modelli. Il manuale indica chiaramente le eventuali variazioni da un modello all'altro.

Simboli e note

Nel manuale sono utilizzati i seguenti simboli:

	Informazioni importanti e consigli utili.
	Rischio di vita e proprietà.
	Rischio di scosse elettriche.
	L'imballaggio del prodotto è fatto di materiali riciclabili, in conformità con la Normativa Ambientale Nazionale.

 INFORMATION	
	.Le informazioni sul modello memorizzate nella banca dati dei prodotti possono essere consultate sul seguente sito web, cercando l'identificativo del modello (*) presente sull'etichetta energetica. https://eprel.ec.europa.eu/

Indice

1. Istruzioni relative a sicurezza e ambiente 3

- 1.1. Uso previsto 3
- 1.2. Norme di sicurezza generali 3
- 1.3. Avvertenza HC 5
- 1.4. Conformità alla direttiva WEEE e allo smaltimento dei rifiuti: 6
- 1.5. Conformità alla Direttiva RoHS: . 6
- 1.6. Informazioni di imballaggio. 6

2 Frigorifero 7

3. Installazione 8

- 3.1 Luogo idoneo per l'installazione.. 8
- 3.2 Prima di avviare il frigorifero. 8
- 3.3 Collegamenti elettrici. 9
- 3.4 Cambiare la lampadina di illuminazione 9
- 3.5 Regolazione dei piedini. 9
- 3.6 Avvertenza sportello aperto 9

4 Preparazione 10

- 4.1 Cose da fare ai fini del risparmio energetico 10
- 4.2 Uso iniziale. 11

4 Preparazione 11

5 Utilizzo del frigorifero 12

- 5.1 Pulsante di impostazione della temperatura 12
- 5.2 Congelamento rapido 12
- 5.3 Funzione assenza 13
- 5.4 Pannello dei comandi. 14
- 5.5 Pannello dei comandi. 16
- 5.6 Pannello dei comandi. 19
- 5.7 Icematic a torsione 22
- 5.8 Preparazione ghiaccio 23

- 5.9 Scomparto per le uova. 23
- 5.10 Ventola raffreddamento turbo 23
- 5.11 Scomparto temperatura zero .. 23
- 5.12 Scomparto frutta e verdura 24
- 5.13 Spia blu 24
- 5.14 Luce blu/HarvestFresh 24
- 5.15 Ripiano mobile dello sportello. 25
- 5.16 Ripiani estraibili. 25
- 5.17 Cursori di controllo dell'umidità dello scomparto frutta e verdura 26
- 5.18 Auto Icematic 26
- 5.19 Descrizione e pulizia del filtro odori: 27
- 5.20 HerbBox/HerbFresh 27
- 5.21 Erogatore d'acqua 28
- 5.22 Uso dell'erogatore d'acqua 28
- 5.23 Riempimento del serbatoio dell'erogatore d'acqua 28
- 5.24 Pulizia del serbatoio dell'acqua 29
- 5.25 Vaschetta per l'acqua 30
- 5.26 Consigli per conservare alimenti surgelati 31
- 5.27 Dettagli congelatore. 31
- 5.28 Posizionamento degli alimenti . 32
- 5.29 Avvertenza sportello aperto ... 32
- 5.30 Cambiamento della direzione di apertura della porta 32
- 5.31 Cambiare la lampadina di illuminazione 32

6. Pulizia e manutenzione 33

- 6.1. Evitare i cattivi odori. 33
- 6.2. Protezione delle superfici in plastica. 33

7. Risoluzione dei problemi 34

1 Istruzioni relative a sicurezza e ambiente

Questa sezione fornisce le istruzioni di sicurezza necessarie per evitare il rischio di lesioni e danni materiali. Il mancato rispetto di queste istruzioni invalida tutti i tipi di garanzia esistenti sul prodotto.

1.1. Uso previsto

AVVERTENZA:

Assicurarsi che i fori di ventilazione non siano chiusi quando il dispositivo è nella sua custodia o quando lo si inserisce nel suo alloggiamento.

AVVERTENZA:

Non utilizzare alcun dispositivo meccanico o altri dispositivi per accelerare il processo di sbrinamento e seguire solo i consigli del fabbricante.

AVVERTENZA:

Non danneggiare il circuito del liquido refrigerante.

AVVERTENZA: Non utilizzare apparecchi elettrici non consigliati dal fabbricante all'interno dei vani per la conservazione degli alimenti.

AVVERTENZA: Non conservare sostanze esplosive come aerosol con gas propellenti infiammabili nell'apparecchio.



Questo apparecchio è stato progettato per applicazioni domestiche e per la seguenti

applicazioni similari:

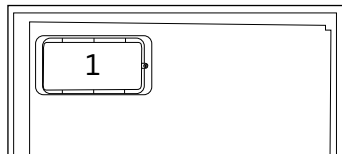
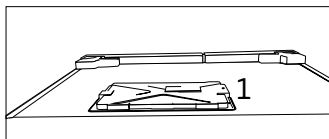
- Per essere utilizzato nelle cucine del personale di negozi, uffici e altri luoghi di lavoro;
- Per essere utilizzato dai clienti negli alberghi e nelle case di campagna, motel e altri luoghi di alloggio.
- in ambienti tipo pensioni
- in luoghi simili che non offrano servizi di ristorazione e non siano di vendita al dettaglio.

1.2. Norme di sicurezza generali

- Questo prodotto non dovrebbe essere usato da persone con disabilità a livello fisico, sensoriale e mentale, da persone senza un quantitativo sufficiente di conoscenze ed esperienza e da bambini. Queste persone potranno usare il dispositivo unicamente sotto la supervisione e le istruzioni di una persona responsabile della loro sicurezza. Ai bambini non dovrebbe essere consentito di giocare con questo dispositivo.
- In caso di malfunzionamento, scollegare il dispositivo.
- Dopo aver scollegato il dispositivo, attendere almeno cinque minuti prima di collegarlo nuovamente. Scollegare il prodotto se non viene usato. Non toccare la presa con le mani umide! Non tirare il cavo per eseguire lo scollegamento; prenderlo sempre per la spina.
- Non collegare il frigorifero se la presa sembra essere allentata.
- Scollegare il prodotto in fase di installazione, manutenzione, pulizia e riparazione.

Istruzioni relativamente a sicurezza e ambiente

- Qualora si preveda di non utilizzare il prodotto per un po' di tempo, scollegarlo ed estrarre gli eventuali elementi contenuti al suo interno.
- Non usare vapore o materiali detergenti a base di vapore per la pulizia del frigorifero e per lo scioglimento del ghiaccio al suo interno. Il vapore potrebbe entrare in contatto con le aree sotto tensione elettrica e causare cortocircuiti o scosse elettriche!
- Non lavare il prodotto spruzzando o versando acqua sullo stesso! Pericolo di scossa elettrica!
- Non usare mai il prodotto se la sezione che si trova sulla parte superiore o posteriore del prodotto, con le schede dei circuiti elettronici stampati all'interno, è aperta (coprire schede dei circuiti elettronici stampati) (1).
- Collegare il prodotto a una presa che disponga di messa a terra. L'operazione di messa a terra deve essere eseguita da un elettricista qualificato.
- Qualora il prodotto disponga di un'illuminazione a LED, contattare l'assistenza autorizzata per la sostituzione.
- Non toccare alimenti congelati con le mani bagnate! Gli alimenti si potrebbero attaccare alle mani!
- Non posizionare liquidi in bottiglie o lattine all'interno dello scomparto congelatore. Potrebbero esplodere!
- Collocare i liquidi in posizione verticale dopo aver saldamente chiuso il tappo.
- Non spruzzare sostanze infiammabili vicino al prodotto. Potrebbero bruciare o esplodere!
- Non conservare materiali e prodotti infiammabili, come ad esempio spray, all'interno del frigorifero.
- Non collocare contenitori di liquidi sopra al prodotto. Gli spruzzi su parti sotto tensione potrebbero provocare scosse elettriche e rischio di incendio.
- L'esposizione del prodotto a pioggia, neve e vento potrebbe causare pericoli a livello elettrico. Qualora sia necessario spostare il prodotto, non tirarlo per la maniglia della porta. La maniglia si potrebbe staccare.
- Evitare che parti delle mani o del corpo restino impigliate nei meccanismi mobili all'interno del prodotto.
- Non calpestare o appoggiarsi a porta, cassetti e altre



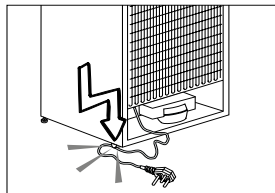
- In caso di malfunzionamento, non usare il prodotto, dato che potrebbe emettere scosse elettriche. Contattare il servizio autorizzato prima di intervenire.

Istruzioni relativamente a sicurezza e ambiente

componenti del frigorifero.

Così facendo il prodotto potrebbe cadere e si potrebbe danneggiare.

- Fare attenzione a non bloccare il cavo di alimentazione.



- Quando si posiziona l'elettrodomestico, assicurarsi che il cavo di alimentazione non sia intrappolato o danneggiato.
- Non posizionare prese multiple portatili o alimentatori portatili sul retro dell'elettrodomestico.
- I bambini dai 3 agli 8 anni possono caricare e svuotare i congelatori.
- Per evitare la contaminazione degli alimenti, seguire le seguenti istruzioni:
- Tenere lo sportello aperto per periodi prolungati può determinare un significativo aumento della temperatura negli scomparti dell'apparecchio.
- Pulire regolarmente le superfici che possono entrare in contatto con gli alimenti e i sistemi di drenaggio accessibili.
- Pulire i serbatoi dell'acqua se non sono stati utilizzati per 48h; svuotare il sistema idrico collegato a un'alimentazione idrica se non si attinge l'acqua per 5 giorni.
- Riporre la carne e il pesce crudi in contenitori adeguati nel frigorifero, in maniera

tale da evitare che vengano a contatto con altri alimenti o che gocciolino sugli stessi.

- Gli scomparti cibi congelati a due stelle sono adatti per conservare i cibi precongelati, per conservare o preparare gelati e preparare cubetti di ghiaccio.
- Gli scomparti del ghiaccio a una, due e tre stelle non sono adatti per il congelamento di alimenti freschi.
- Nel caso in cui il congelatore sia lasciato a lungo vuoto, spegnerlo, sbrinarlo, pulirlo, asciugarlo e lasciare aperto lo sportello per evitare che si sviluppino muffe.

1.3. Avvertenza HC

Qualora il prodotto sia dotato di sistema di raffreddamento che utilizza il gas R600a, fare attenzione ad evitare di danneggiare il sistema di raffreddamento e il relativo tubo in fase di utilizzo e spostamento del prodotto. Questo gas è infiammabile. Se viene danneggiato il sistema di raffreddamento, tenere il prodotto lontano da fonti di calore e provvedere immediatamente ad arieggiare la stanza.



Sul lato sinistro interno è indicato il tipo di gas utilizzato nel prodotto.

Per i modelli con la fontana d'acqua

- La pressione di ingresso dell'acqua fredda dovrebbe essere al massimo 90 psi (620 kPa). Qualora la pressione dell'acqua superi il valore 80 psi (550kPa), utilizzare una valvola

Istruzioni relativamente a sicurezza e ambiente

di limitazione della pressione nel sistema principale. Qualora non si sappia come verificare la pressione dell'acqua, chiedere aiuto a ad un idraulico professionista.

- In caso di rischio dell'effetto 'colpo d'ariete' nel proprio impianto, usare la strumentazione adatta per ridurre la probabilità di accadimento. Rivolgersi a idraulici professionisti in caso di dubbio relativamente alla presenza o meno dell'effetto 'colpo d'ariete' nel proprio impianto.
- Non installare l'ingresso dell'acqua calda. Prendere precauzioni contro il rischio di congelamento dei tubi. La gamma di funzionamento della temperatura dell'acqua dovrebbe essere 33°F (0,6°C) come minimo e 100°F (38°C) al massimo.
- Utilizzare solo acqua potabile.

Impiego conforme allo scopo previsto

- Questo prodotto è stato pensato per essere utilizzato in ambito domestico. Non è stato pensato per un uso di tipo commerciale.
- Il prodotto dovrebbe essere utilizzato unicamente per la conservazione di alimenti e bevande.
- Non tenere prodotti dedicati, che richiedano temperature controllate, quali ad esempio vaccini, farmaci sensibili al calore, all'interno del frigorifero.
- Il produttore non si assume nessuna responsabilità per gli eventuali danni causati da

un cattivo utilizzo o da un uso scorretto.

- I pezzi di ricambio originali verranno forniti per 10 anni, successivamente alla data di acquisto del prodotto.

1.4. Conformità alla direttiva WEEE e allo smaltimento dei rifiuti:

Questo apparecchio è conforme alla Direttiva UE WEEE (2012/19/EU). Questo apparecchio riporta il simbolo di classificazione per i rifiuti delle apparecchiature elettriche ed elettroniche (WEEE).



Questo simbolo indica che questo prodotto non deve essere smaltito con altri rifiuti domestici al termine della sua vita utile. Il dispositivo usato deve essere portato a un punto di raccolta ufficiale per il riciclaggio di dispositivi elettrici ed elettronici. Per individuare questi punti di raccolta, contattare le proprie autorità locali oppure il rivenditore presso cui è stato acquistato il prodotto. Ciascuna famiglia ha un ruolo importante nel recupero e riciclaggio di vecchi apparecchi. Lo smaltimento appropriato degli apparecchi usati aiuta a prevenire potenziali conseguenze negative per l'ambiente e la salute umana.

1.5. Conformità alla Direttiva RoHS:

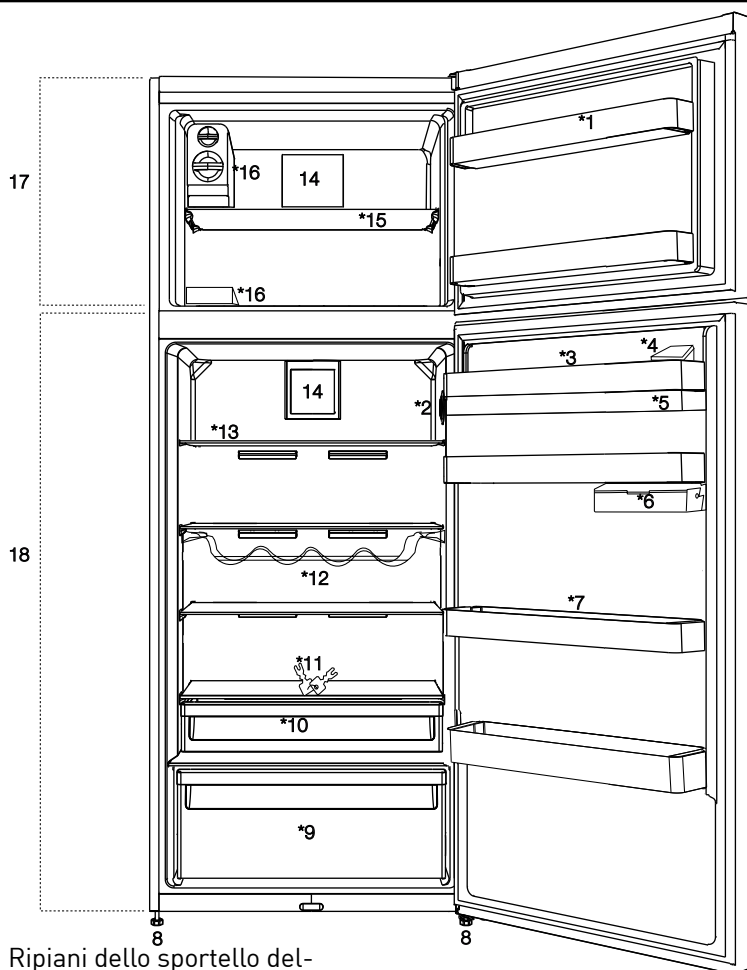
L'apparecchio acquistato è conforme alla Direttiva UE RoHS (2011/65/EU). Non contiene materiali pericolosi o proibiti specificati nella Direttiva.

1.6. Informazioni di imballaggio



L'imballaggio del prodotto è fatto di materiali riciclabili in conformità con la normativa nazionale. Non smaltire i materiali di imballaggio con i rifiuti domestici o altri rifiuti. Portarli ai punti di raccolta per materiali di imballaggio previsti dalle autorità locali.

2 Frigorifero



- | | |
|--|--|
| <p>1. Ripiani dello sportello dello scomparto frigo</p> <p>2. Tasto di impostazione della temperatura</p> <p>3. Rastrelliere dello sportello dello scomparto freezer</p> <p>4. Contenitore riempimento erogatore acqua</p> <p>5. Porta uovo</p> <p>6. Serbatoio erogatore acqua</p> <p>7. Mensola porta Moving</p> <p>8. Piedini regolabili</p> <p>9. Scomparto frutta e verdura</p> | <p>10. Scomparto per bibite o bibite fredde</p> <p>11. Serratura e chiave</p> <p>12. Ripiano bottiglie</p> <p>13. Ripiani dello sportello dello scomparto frigo</p> <p>14. Ventola</p> <p>15. Rastrelliere dello sportello dello scomparto freezer</p> <p>16. Ghiacciaia vano / Ice-making</p> <p>17. Scomparto freezer</p> <p>18. Scomparto frigo</p> <p>*Opzionale</p> |
|--|--|



*Opzionale: Le figure in questo manuale utente sono schematiche, e potrebbero non corrispondere esattamente al prodotto. Qualora il prodotto non contenga le parti descritte, l'informazione riguarda altri modelli.

3 Installazione

3.1 Luogo idoneo per l'installazione

Rivolgersi al Servizio Autorizzato per l'installazione del prodotto. Per rendere il prodotto pronto per essere installato, confrontare le informazioni nella guida dell'utente e accertarsi che i servizi elettrici e idrici siano presenti. In caso contrario contattare un elettricista e un idraulico per rendere questi servizi conformi ai requisiti.

	AVVERTENZA: Il prodotto non si assume nessuna responsabilità per gli eventuali danni causati dagli interventi eseguiti da personale non autorizzato.
	AVVERTENZA: Il cavo di alimentazione del prodotto deve essere scollegato in fase di utilizzo. Il mancato rispetto di queste istruzioni potrebbe provocare morte o altre gravi lesioni!
	AVVERTENZA: Qualora la porta sia troppo stretta per consentire il passaggio del prodotto, togliere la porta e ruotarla; qualora ciò non funzioni, contattare il servizio autorizzato.

- Collocare il prodotto su una superficie piana per evitare le vibrazioni.
- Collocare il prodotto ad almeno a 30 cm dal termosifone, dalla stufa e da altre fonti di calore e ad almeno 5 cm da eventuali forni elettrici.
- Non esporre il prodotto alla luce solare diretta o conservare in ambienti umidi.
- Il prodotto necessita di adeguata ventilazione per un funzionamento efficiente. Se in prodotto viene collocato in una alcova, lasciare almeno 5 cm di spazio tra il prodotto, il soffitto, i muri laterali e il muro retrostante.

- Se in prodotto viene collocato in una alcova, lasciare almeno 5 cm di spazio tra il prodotto, il soffitto, i muri laterali e il muro retrostante. Controllare se il componente di protezione della parete posteriore è presente e nel suo alloggiamento (se fornito con il prodotto). Se il componente non è disponibile, o se è stato smarrito o è caduto, posizionare il prodotto in modo tale da lasciare almeno 5 cm di spazio libero tra il retro del prodotto e le pareti del locale. Lo spazio libero nella parte posteriore è importante per il funzionamento efficiente del prodotto.
- Non installare il prodotto in ambienti con temperature inferiori ai 5°.

3.2 Prima di avviare il frigorifero

Controllare quanto segue prima di utilizzare il frigorifero:

1. Montare i 2 cunei in plastica come illustrato sotto. I cunei in plastica servono a mantenere la distanza che assicura la circolazione dell'aria tra frigorifero e parete. (L'immagine è creata per illustrare e non è identica all'apparecchio).
2. Pulire la parte interna del frigorifero come consigliato nella sezione "Manutenzione e pulizia".
3. Collegare la spina del frigorifero alla presa elettrica. Quando lo sportello del frigorifero è aperto, la lampadina interna si accende.
4. Quando il compressore comincia a funzionare, si sente un rumore. I liquidi e i gas sigillati nel sistema refrigerante possono produrre dei rumori, anche se il comp-

Installazione

ressore non è in funzione; questo è abbastanza normale.

5. I bordi anteriori del frigorifero possono essere tiepidi. Questo è normale. Queste zone sono progettate per essere tiepide per evitare la condensazione.

3.3 Collegamenti elettrici

Collegare il frigorifero ad una presa di messa a terra protetta da un fusibile della capacità appropriata.

Importante:

- Il collegamento deve essere conforme ai regolamenti nazionali.
- La spina elettrica deve essere facilmente accessibile dopo l'installazione.
- La sicurezza elettrica del frigorifero è garantita unicamente se il sistema di messa a terra dell'apparecchiatura è conforme agli standard.
- La tensione dichiarata sull'etichetta che si trova nel lato interno a sinistra dell'apparecchio deve essere pari alla tensione di rete



Avvertenza superficie calda

Le pareti laterali del prodotto sono dotate di tubi refrigeranti per migliorare il sistema di raffreddamento. Il refrigerante a temperature elevate potrebbe scorrere in queste aree, causando così superfici calde sulle pareti laterali. Non si tratta di un'anomalia di funzionamento e non sono necessari interventi di manutenzione. Fare attenzione quando si toccano queste aree.

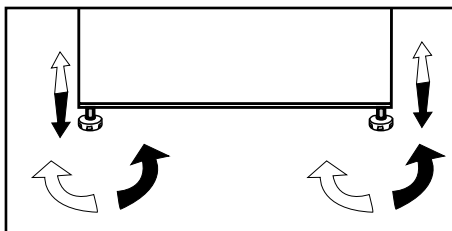
3.4 Cambiare la lampadina di illuminazione

Per cambiare lampadina/LED utilizzati per illuminare il frigorifero, rivolgersi al Servizio Assistenza Autorizzato.

La lampada (le lampade) usata (usate) nell'apparecchiatura non è (sono) adatta (adatte) per l'illuminazione domestica. L'obiettivo previsto per questa lampada è quello di assistere l'utente in fase di posizionamento degli alimenti all'interno del frigorifero / congelatore in modo sicuro e comodo.

3.5 Regolazione dei piedini

Se il frigorifero non è in equilibrio, è possibile bilanciarlo ruotando i piedini anteriori come illustrato in figura. L'angolo in cui i piedini sono più bassi quando girati in direzione della freccia nera e rialzati quando girati in direzione opposta. Un aiuto per sollevare leggermente il frigorifero faciliterà tale processo.



3.6 Avvertenza sportello aperto

(Questa funzione è opzionale)

Un segnale di avvertenza audio viene emesso quando lo sportello dell'apparecchio viene lasciato aperto per almeno 1 minuto. Questa avvertenza scompare quando lo sportello viene chiuso o se viene premuto uno dei pulsanti del display (se presenti).

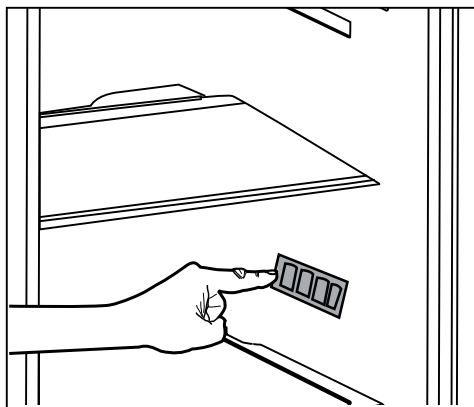
4 Preparazione

4.1 Cose da fare ai fini del risparmio energetico



La connessione del prodotto a sistemi di risparmio elettrico è rischiosa poiché potrebbe provocare danni allo stesso.

- Per apparecchio indipendente; "questo apparecchio refrigerante non è destinato a essere utilizzato come apparecchio da incasso.
 - Non lasciare lo sportello del frigorifero aperto per lungo tempo.
 - Non inserire alimenti caldi o bevande calde nell'elettrodomestico.
 - Non sovraccaricare il frigorifero, la capacità di raffreddamento peggiora quando la circolazione dell'aria è ostacolata.
 - Per conservare la quantità massima di alimenti nello scomparto freezer, lo scomparto icematic, disponibile nello scomparto freezer e facilmente rimuovibile a mano, deve essere estratto. Il volume netto e i valori di consumo energetico dichiarati sulla piastra del frigorifero sono misurati e testati rimuovendo l'icematic. Non rimuovere i ripiani all'interno dello scomparto freezer né quelli dello sportello dello scomparto freezer. Essi devono essere utilizzati perché garantiscono facilità di utilizzo ed efficienza nel consumo energetico.
 - Il flusso dell'aria non deve essere bloccato mettendo alimenti ai lati della ventola dello scomparto frigo. Una distanza minima di 3 cm deve essere garantita ai lati della copertura della ventola di protezione.
 - Cestelli/cassetti in dotazione con lo scomparto Chiller devono essere sempre in uso per un basso consumo energetico e per migliori condizioni di conservazione.
- Poiché l'aria calda e umida non penetra direttamente nel prodotto quando le porte non sono aperte, il prodotto si ottimizza in condizioni sufficienti a proteggere il cibo. Funzioni e componenti quali compressore, ventola, caloriferi, sbrinamento, illuminazione, display e via dicendo funzionano secondo necessità per consumare il minimo di energia in tali circostanze.
 - Il contatto degli alimenti con il sensore della temperatura nello scomparto freezer potrebbe far aumentare il consumo energetico dell'apparecchio. Pertanto è necessario evitare il contatto con i sensori.



- A seconda delle caratteristiche dell'apparecchio, scongelare alimenti congelati nello scomparto frigo garantisce risparmio energetico e conserva la qualità degli alimenti.
- Non consentire che gli alimenti entrino in contatto con il sensore della temperatura dello scomparto frigo mostrato nella figura sotto.

4 Preparazione

4.2 Uso iniziale

Prima di cominciare ad usare il frigorifero, assicurarsi di eseguire tutte le preparazioni secondo le istruzioni delle sezioni "Istruzioni per la sicurezza e l'ambiente" e "Installazione".

- Utilizzare l'apparecchio senza mettere alimenti all'interno per 6 ore e non aprire lo sportello a meno che non sia necessario.



Si sente un rumore quando il compressore si avvia. I liquidi e i gas sigillati nel sistema refrigerante possono produrre dei rumori, anche se il compressore non è in funzione; questo è abbastanza normale.



I bordi anteriori dell'apparecchio possono essere tiepidi. Questo è normale. Queste zone sono progettate per essere tiepide per evitare la condensazione.



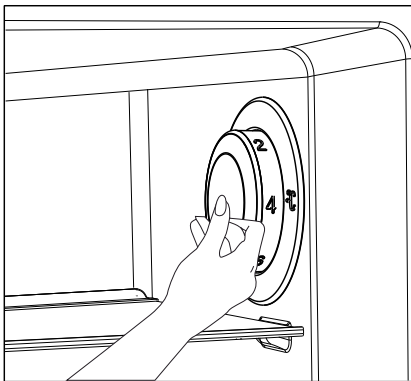
In alcuni modelli il pannello degli strumenti si spegne automaticamente 5 minuti dopo la chiusura dello sportello. Si riattiva quando lo sportello viene aperto o se viene premuto un pulsante.

5 Utilizzo del frigorifero

5.1 Pulsante di impostazione della temperatura

La temperatura interna del frigorifero cambia per le seguenti cause;

- Temperature stagionali,
- Apertura frequente dello sportello e sportello lasciato aperto per lunghi periodi,
- Alimenti messi nel frigorifero senza lasciarli prima raffreddare a temperatura ambiente,
- Posizionamento del frigorifero nella stanza (per esempio, esposizione alla luce solare).
- Si può regolare la temperatura interna del frigorifero, che varia a causa di questi fattori, utilizzando il pulsante di impostazione.
- I numeri della manopola di controllo indicano i valori di temperatura in "°C".
- Se la temperatura ambiente è 25 °C, consigliamo di usare la manopola di controllo della temperatura del frigorifero sulla posizione 4°C. Questo valore può essere aumentato o diminuito come richiesto da altre temperature ambientali.



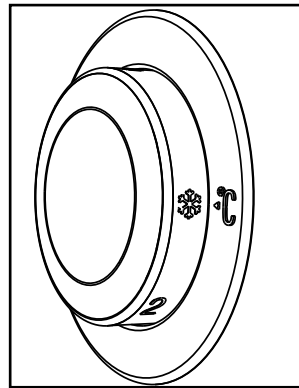
5.2 Congelamento rapido

Se è necessario congelare grosse quantità di alimenti freschi, portare la manopola di controllo

(❄) sulla posizione max. 24 ore prima di mettere gli alimenti freschi nello scomparto di congelamento rapido.

Si consiglia di tenere la manopola in questa posizione per almeno 24 ore per congelare la quantità massima di cibo fresco riportata come capacità di congelamento. Fare attenzione a non mescolare cibi congelati e cibi freschi.

Ricordare di riportare la manopola di controllo della temperatura sulla posizione precedente quando gli alimenti si sono congelati.

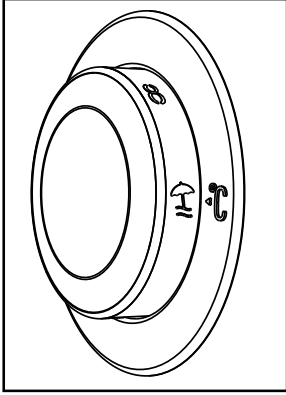


***Opzionale:** I dati in questo manuale devono essere intesi come bozze, e potrebbero non essere perfettamente corrispondenti al vostro prodotto. Qualora il prodotto non contenga le parti descritte, l'informazione riguarda altri modelli.

Utilizzo del frigorifero

5.3 Funzione assenza

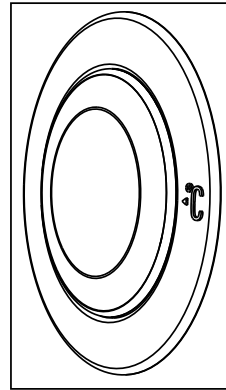
Se gli sportelli dell'apparecchio non sono aperti per 12 ore dopo il posizionamento della manopola di controllo della temperatura sulla posizione più alta, allora si attiva automaticamente la funzione assenza.



Per annullare questa funzione, modificare l'impostazione della manopola.

Non si consiglia di conservare alimenti nello scomparto più freddo quando è attiva la funzione assenza.

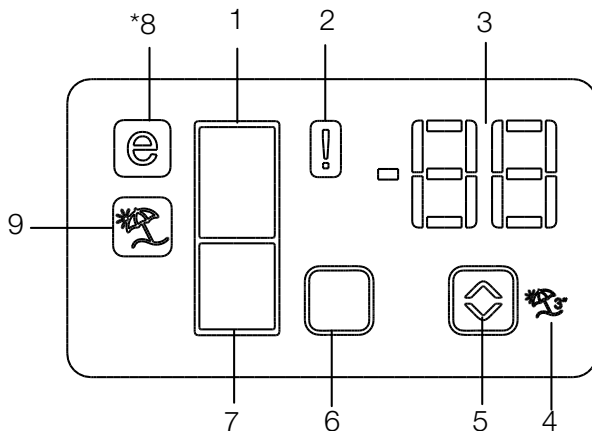
- Quando l'operazione di impostazione è completa, si può premere la manopola di controllo della temperatura e nasconderla.



Utilizzo del frigorifero

5.4 Pannello dei comandi

I pannelli degli indicatori possono variare secondo il modello del prodotto. Il pannello degli indicatori aiuta ad usare il frigorifero con le relative funzioni audio e visive.



1. Indicatore dello scomparto frigorifero
2. Indicatore di stato errore
3. Indicatore della temperatura
4. Pulsante funzione vacanza
5. Tasto impostazione temperatura
6. Tasto di selezione del vano
7. Indicatore dello scomparto frigorifero
8. Indicatore Modalità Economy
9. Indicatore funzione vacanza

***Facoltativo:**



***Opzionale:** I dati in questo manuale devono essere intesi come bozze, e potrebbero non essere perfettamente corrispondenti al vostro prodotto. Qualora il prodotto non contenga le parti descritte, l'informazione riguarda altri modelli.

Utilizzo del frigorifero

1. Indicatore dello scomparto frigorifero

La spia dello scomparto frigorifero si accende in una fase di regolazione della temperatura dello scomparto del frigorifero.

2. Indicatore di stato errore


Questo sensore si attiva se il frigorifero non sta raffreddando in modo adeguato oppure in caso di guasto del sensore. Quando questo indicatore è attivo, l'indicatore di temperatura dello scomparto del congelatore visualizza una lettera, "E", e l'indicatore della temperatura dello scomparto del frigorifero visualizza i numeri "1, 2, 3...". I numeri sull'indicatore servono a comunicare al personale di servizio il tipo di guasto.

3. Indicatore della temperatura

Indica la temperatura degli scomparti congelatore e frigorifero.

4. Pulsante funzione vacanza

Per attivare questa funzione, premere e tenere premuto il pulsante vacanza per 3 secondi. Quando la funzione vacanza è attiva, l'indicatore di temperatura dello scomparto del frigorifero visualizza la dicitura "- -" e nessun processo di raffreddamento sarà attivo all'interno dello scomparto di raffreddamento. Questa funzione non è adatta per conservare alimenti all'interno dello scomparto frigorifero. Gli altri scomparti rimarranno freschi con la rispettiva temperatura impostata per ogni singolo scomparto.

Premere nuovamente il pulsante Vacation () per annullare questa funzione.

5. Tasto impostazione temperatura

La temperatura nel rispettivo scomparto varia a intervalli di -24°C..... -18°C e 8°C...1°C.

6. Tasto di selezione del vano

Servirsi del pulsante di selezione dello scomparto frigorifero per spostarsi fra lo scomparto frigorifero e lo scomparto congelatore.

7. Indicatore dello scomparto frigorifero

La spia dello scomparto congelatore si accende in una fase di regolazione della temperatura dello scomparto del frigorifero.

8. Indicatore Modalità Economy

Indica che il frigorifero sta funzionando in modalità di risparmio energetico. Questo indicatore sarà attivo quando la temperatura nello scomparto del congelatore viene impostata a -18°.

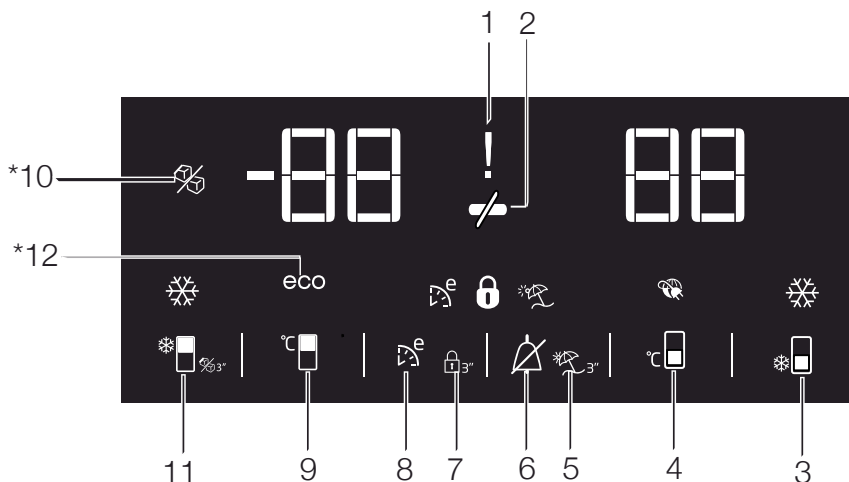
9. Indicatore funzione vacanza

Indica che la funzione vacanza è attiva.

Utilizzo del frigorifero

5.5 Pannello dei comandi

Il pannello con gli indicatori consente di impostare la temperatura e di controllare le altre funzioni collegate all'apparecchio senza aprire lo sportello dell'apparecchio. Basta premere le scritte sui pulsanti pertinenti per l'impostazione delle funzioni.



1. Mancanza di alimentazione / Alta temperatura / Indicatore di stato di errore

Questo indicatore (1) si illumina in caso di mancanza di corrente, temperatura elevata e avvisi di errore.

Quando la temperatura dello scomparto congelatore si scalda fino a un livello critico per gli alimenti congelati, il valore massimo raggiunto dalla temperatura dello scomparto congelatore lampeggia sull'indicatore digitale.

Controllare gli alimenti nello scomparto congelatore.

Non si tratta di un malfunzionamento. L'avviso può essere cancellato premendo un tasto qualsiasi o il tasto di spegnimento dell'allarme di alta temperatura.

(L'annullamento mediante la pressione di un tasto qualsiasi non è applicabile a tutti i modelli).

Questo indicatore si illumina anche quando si verifica un guasto del sensore. Quando questo indicatore è illuminato, "E" e delle cifre come "1,2,3..." vengono visualizzate alternativamente sull'indicatore della temperatura. Queste cifre sull'indicatore informano il personale specializzato dell'errore.

2. Funzione risparmio energetico (display spento):

Se gli sportelli dell'apparecchio sono tenuti chiusi a lungo, si attiva automaticamente una funzione di risparmio energetico a lungo termine e si accende il simbolo del risparmio energetico. (10)




*Opzionale: I dati in questo manuale devono essere intesi come bozze, e potrebbero non essere perfettamente corrispondenti al vostro prodotto. Qualora il prodotto non contenga le parti descritte, l'informazione riguarda altri modelli.

Utilizzo del frigorifero

Quando la funzione di risparmio energetico è attiva, tutti simboli sul display tranne quella del risparmio energetico si spengono. Quando la funzione risparmio energetico è attivata, se viene premuto un pulsante o lo sportello è aperto, si esce dalla modalità risparmio energetico e i simboli sul display tornano normali.

La funzione di risparmio energetico è attivata al momento della consegna della fabbrica e non può essere annullata.

3. Funzione Quick Fridge

Questo pulsante ha due funzioni. Per attivare o disattivare la funzione Quick Cool premerlo brevemente. L'indicatore Quick Cool si spegnerà e l'apparecchio tornerà alle sue normali impostazioni. ()



Usare la funzione Quick Cool quando si desidera raffreddare velocemente gli alimenti posti nello scomparto frigo. Se è necessario raffreddare grandi quantità di cibo fresco, attivare questa funzione prima di inserire il cibo nel frigo.



Se non si annulla manualmente, la funzione Quick Cool si annullerà automaticamente dopo 8 ore o quando lo scomparto frigo ha raggiunto la temperatura richiesta.




Premendo il pulsante Quick Cool ripetutamente a brevi intervalli, il compressore non comincerà a funzionare immediatamente, in quanto il sistema di protezione del circuito elettronico sarà attivato.





Questa funzione non viene richiamata quando l'alimentazione si ripristina dopo un'assenza di corrente.

4. Pulsante di impostazione temperatura scomparto frigo

Premere questo pulsante per impostare la temperatura dello scomparto frigo rispettivamente su 8, 7,6, 5,4,3, 2, 8...

Premere questo pulsante per impostare la temperatura desiderata per lo scomparto frigo. ()

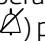
5. Funzione assenza

Per attivare la funzione assenza, premere questo pulsante () per 3 secondi e l'indicatore della modalità Vacation () si attiva.

Quando la funzione assenza è attiva, "- -" si visualizza sull'indicatore della temperatura dello scomparto frigo e non viene eseguito il raffreddamento attivo nello scomparto frigo. Non si possono conservare gli alimenti nello scomparto frigo quando questa funzione è attivata. Gli altri scomparti saranno ancora raffreddati secondo la loro temperatura impostata.

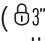
Per annullare questa funzione, premere di nuovo il pulsante della **funzione assenza**.

6. Termine dell'avviso di alta temperatura


In caso di mancanza di corrente/avviso di alta temperatura, è possibile cancellare l'avviso () premendo un tasto qualsiasi sull'indicatore o il tasto di spegnimento dell'allarme di alta temperatura per 1 secondo dopo aver controllato gli alimenti all'interno del congelatore.

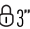
Nota: La cancellazione premendo un pulsante qualsiasi non è applicabile a tutti i modelli.

7. Blocco tasti


Premere il pulsante di blocco tasti () contemporaneamente per 3 secondi. Simbolo blocco tasti

Utilizzo del frigorifero

() si accende e si attiva la modalità blocco tasti. I pulsanti non funzionano quando è attiva la modalità blocco tasti. Premere di nuovo il pulsante di blocco tasti per 3 secondi. Il simbolo del blocco tasti si spegne e si esce dalla modalità blocco tasti.


Premere il pulsante **blocco tasti** se si desidera impedire la modifica dell'impostazione di temperatura del frigorifero (.

8. Eco Fuzzy


Tenere premuto il pulsante Eco Fuzzy per 1 secondo per attivare la funzione Eco Fuzzy. Se viene attivata questa funzione, il frigo comincia a funzionare con la modalità più economica minimo 6 ore dopo e l'indicatore di uso economico si accende (). Tenere premuto il pulsante Eco Fuzzy per 3 secondi per disattivare la funzione Eco Fuzzy.

Questo indicatore si accende dopo 6 ore quando si attiva la funzione Eco Fuzzy.

9. Pulsante di impostazione temperatura scomparto freezer

Premere questo pulsante per impostare la temperatura dello scomparto freezer a -18,-19,-20,-21, -22, -23,-24, -18..., rispettivamente. Premere questo pulsante per impostare la temperatura desiderata per lo scomparto freezer. ()


10. Indicatore disattivazione Icematic

Indica se Icematic è attivo o disattivato. () Se è attivo, l'Icematic non è in funzione. Per attivare di nuovo l'Icematic tenere premuto il pulsante On-Off per 3 secondi.



Il flusso dell'acqua dal serbatoio dell'acqua si arresta quando viene selezionata questa funzione. Il ghiaccio preparato in precedenza, però, può essere prelevato da Icematic.

11. Pulsante funzione Quick Freeze/ Pulsante Icematic on-off

Premere questo pulsante per attivare o disattivare la funzione Quick Freeze. Quando si attiva la funzione, lo scomparto freezer viene raffreddato a una temperatura inferiore rispetto a quella impostata. ()

Per attivare e disattivare l'Icematic, tenerlo premuto per 3 secondi.



Usare la funzione Quick Freeze quando si desidera congelare velocemente gli alimenti posti nello scomparto frigo. Se è necessario congelare grandi quantità di cibo fresco, attivare questa funzione prima di inserire il cibo nel frigo.




Se non si annulla manualmente, la funzione Quick Freeze si annullerà automaticamente dopo 4 ore o quando lo scomparto frigo ha raggiunto la temperatura richiesta.



Questa funzione non viene richiamata quando l'alimentazione si ripristina dopo un'assenza di corrente.

12. Indicatore uso economico

Indica che l'apparecchio è in funzione in modalità a risparmio energetico. () Questo indicatore sarà attivo se la temperatura dello scomparto freezer è impostata su -18 o se il raffreddamento a risparmio energetico è attivo grazie alla funzione Eco-Extra.

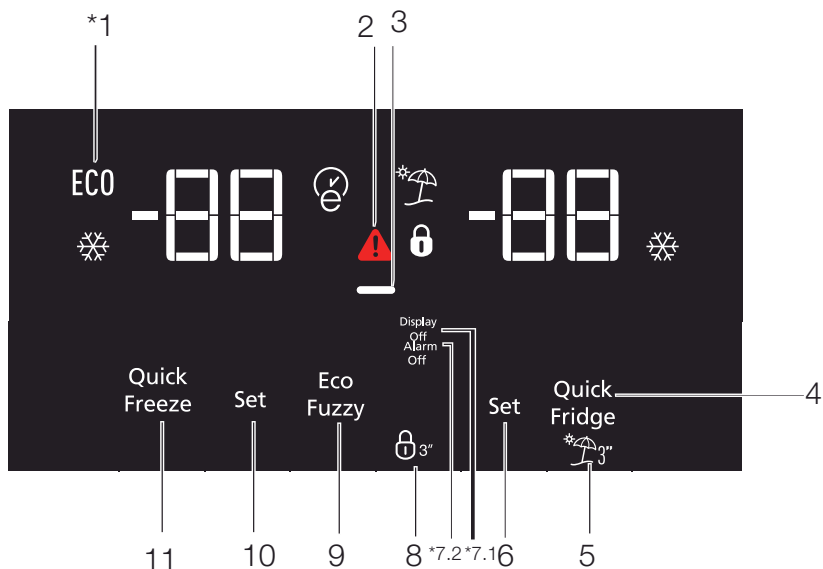


L'indicatore dell'uso economico si spegne quando sono selezionate le funzioni Quick Cool o Quick Freeze.

Utilizzo del frigorifero

5.6 Pannello dei comandi

I pannelli degli indicatori possono variare secondo il modello del prodotto. Il pannello degli indicatori aiuta ad usare il frigorifero con le relative funzioni audio e visive.



1. Economy

Questo simbolo si accende quando lo scomparto freezer è impostato a -18°C . Questo è il valore di impostazione più economico (ECO). L'indicatore Economy si spegne quando sono selezionate le funzioni di raffreddamento o congelamento rapido.

2. Indicatore di avvertenza errore/ alta temperatura

Questo indicatore (🚨) si accende in caso di problemi di alta temperatura e avvertenze di errore.

3. Funzione risparmio energetico (display spento)

Se gli sportelli dell'apparecchio sono tenuti chiusi a lungo, si attiva automaticamente una funzione di risparmio energetico a lungo termine e si accende il simbolo del risparmio energetico. Quando la funzione di risparmio energetico è attiva, tutti i simboli sul display tranne quella del risparmio energetico si spengono. Quando la funzione risparmio energetico è attivata, se viene premuto un pulsante o lo sportello è aperto, si esce dalla modalità risparmio energetico e i simboli sul display tornano normali.



***Opzionale:** I dati in questo manuale devono essere intesi come bozze, e potrebbero non essere perfettamente corrispondenti al vostro prodotto. Qualora il prodotto non contenga le parti descritte, l'informazione riguarda altri modelli.

Utilizzo del frigorifero

La funzione di risparmio energetico è attivata al momento della consegna della fabbrica e non può essere annullata.

4. Raffreddamento veloce

L'indicatore Quick Cool (❄️) si accende quando la funzione di raffreddamento rapido si attiva e il valore dell'indicatore della temperatura dello scomparto frigo viene visualizzato come 1. Per annullare questa funzione, premere nuovamente il pulsante Quick Cool. L'indicatore Quick Cool si spegnerà e il frigorifero tornerà alle sue normali impostazioni. La funzione Quick Cool si annulla automaticamente entro 1 ora se non la si annulla prima. Se si vogliono raffreddare grandi quantità di alimenti freschi, premere il pulsante Quick Cool prima di inserire gli alimenti nello scomparto frigo.

5. Funzione assenza

Per attivare la funzione assenza, premere il pulsante n. (👤) per 3 secondi e si attiva l'indicatore della modalità assenza. Quando la funzione assenza è attiva, "- -" si visualizza sull'indicatore della temperatura dello scomparto frigo e non viene eseguito il raffreddamento attivo nello scomparto frigo. Non si possono conservare gli alimenti nello scomparto frigo quando questa funzione è attivata. Gli altri scomparti saranno ancora raffreddati secondo la loro temperatura impostata.

Per annullare questa funzione, premere di nuovo il pulsante della **funzione assenza**.

6. Impostazione temperatura scomparto frigo

Quando il pulsante n. è premuto, si può impostare la temperatura dello scomparto frigo 8,7,6,5,4,3,2 e 1 rispettivamente (📱).

7.1 Funzione risparmio energetico (display spento):


Il simbolo di risparmio energetico (⚡) si accende e la funzione di risparmio energetico si attiva quando si preme questo pulsante (⚡). Quando la funzione di risparmio energetico è attiva, tutti simboli sul display tranne quella del risparmio energetico si spengono. Quando la funzione risparmio energetico è attivata, se viene premuto un pulsante o lo sportello è aperto, si esce dalla modalità risparmio energetico e i simboli sul display tornano normali. Il simbolo del risparmio energetico si spegne e la funzione di risparmio energetico si disattiva quando si preme di nuovo questo pulsante (⚡).


7.2 Avvertenza disattivazione allarme


In caso di allarme per assenza di alimentazione/elevata temperatura, dopo aver controllato gli alimenti che si trovano nello scomparto freezer, premere il pulsante di disattivazione allarme per annullare l'allarme.

Utilizzo del frigorifero


8. Blocco tasti

Premere il pulsante di blocco tasti () contemporaneamente per 3 secondi. Simbolo blocco tasti

() si accende e si attiva la modalità blocco tasti. I pulsanti non funzionano quando è attiva la modalità blocco tasti. Premere di nuovo il pulsante di blocco tasti per 3 secondi. Il simbolo del blocco tasti si spegne e si esce dalla modalità blocco tasti.

Premere il pulsante **blocco tasti** se si desidera impedire la modifica dell'impostazione di temperatura del frigorifero ().

9. Eco Fuzzy

Tenere premuto il pulsante Eco Fuzzy per 1 secondo per attivare la funzione Eco Fuzzy. Se viene attivata questa funzione, il frigo comincia a funzionare con la modalità più economica minimo 6 ore dopo e l'indicatore di uso economico si accende (). Tenere premuto il pulsante Eco Fuzzy per 3 secondi per disattivare la funzione Eco Fuzzy.

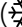
Questo indicatore si accende dopo 6 ore quando si attiva la funzione Eco Fuzzy.

10. Impostazione temperatura scomparto freezer

Qui si esegue l'impostazione della temperatura dello scomparto freezer.

Quando si preme il pulsante n. 9, si può impostare la temperatura dello scomparto freezer a -18, -19, -20, -21, -22, -23 e -24 rispettivamente.

11. Congelamento rapido

Premere il pulsante n. per il congelamento rapido, l'indicatore Quick Freeze () si attiva.

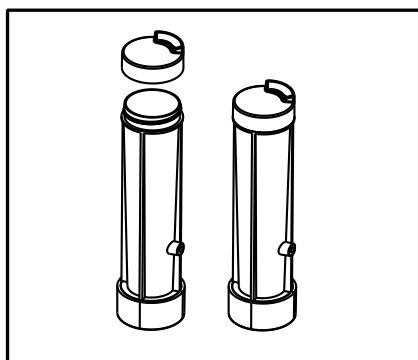
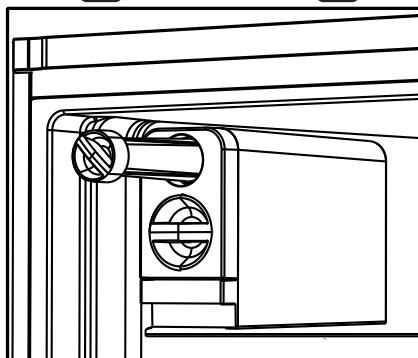
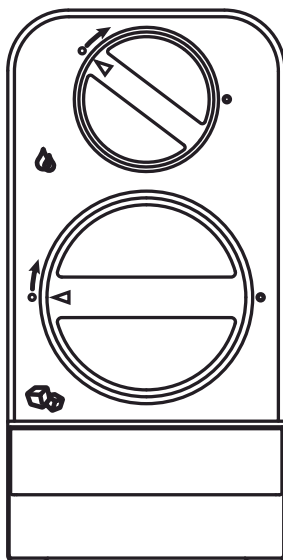
L'indicatore Quick Freeze si accende quando la funzione di congelamento rapido si attiva e il valore dell'indicatore della temperatura dello scomparto frigo viene visualizzato come -27. Per annullare questa funzione premere nuovamente il pulsante Quick Freeze (). L'indicatore Quick Freeze si spegnerà e il frigorifero tornerà alle sue normali impostazioni. La funzione Quick Freeze si annulla automaticamente entro 24 ore se non la si annulla prima. Se si vogliono congelare grandi quantità di alimenti freschi, premere il pulsante Quick Freeze prima di inserire gli alimenti nello scomparto freezer.

Utilizzo del frigorifero

5.7 Icematic a torsione

(Questa funzione è opzionale)

- Rimuovere il serbatoio dell'acqua ruotandolo verso sinistra.
- Aprire la copertura del serbatoio dell'acqua ruotandola e poi aggiungere acqua al serbatoio fino alla parte inferiore della copertura.
- Mettere il serbatoio dell'acqua in posizione come mostrato nella figura dopo aver aggiunto l'acqua e sistemarlo ruotandolo nella direzione della freccia. L'acqua deve essere versata nella scatola del ghiaccio.
- Quando si forma il ghiaccio, ruotare la manopola della scatola del ghiaccio nella direzione della freccia per far cadere il ghiaccio nel cassetto apposito.
- Prendere i cubetti di ghiaccio estraendo il cassetto del ghiaccio.
- Tirare la parte anteriore verso di sé per lavare la scatola del ghiaccio e metterla sui binari della parte interna e spingerla in posizione per sistemarla di nuovo.
- Tirare l'icematic a torsione verso di sé per rimuovere l'unità e metterlo sui binari del soffitto e spingerlo in posizione per sistemarlo di nuovo.



Utilizzo del frigorifero

5.8 Preparazione ghiaccio

Riempire il contenitore del ghiaccio con acqua e metterlo in sede. Il ghiaccio sarà pronto in due ore circa.

È possibile rimuovere facilmente il ghiaccio torcendo leggermente il contenitore del ghiaccio.

5.9 Scomparto per le uova

È possibile installare il porta uova sul ripiano desiderato della porta o del corpo.

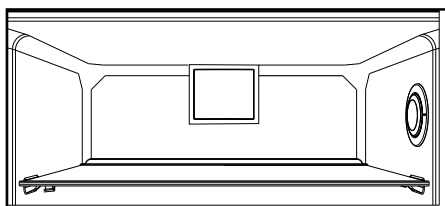
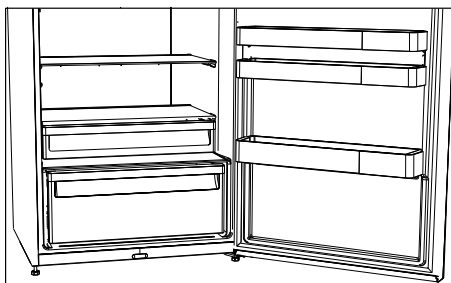
Non porre mai il porta uova nello scomparto del freezer

5.10 Ventola raffreddamento turbo

“La ventola di raffreddamento turbo è ideata per assicurare distribuzione e circolazione omogenee dell’aria fredda all’interno del frigorifero. Il tempo di funzionamento della ventola di raffreddamento turbo può variare a seconda delle proprietà del prodotto. Mentre la ventola turbo funziona solo con il compressore in alcuni prodotti, il sistema di controllo determina il suo funzionamento in alcuni prodotti secondo i requisiti di raffreddamento. Questa situazione è presentata su un’etichetta di avvertenza e informazioni separata attaccata al frigorifero in prodotti dotati di ventole turbo che funzionano in condizioni diverse dal compressore”.

5.11 Scomparto temperatura zero

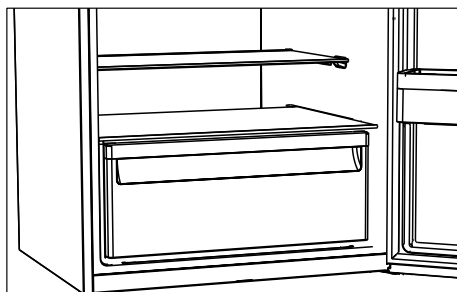
Questo scomparto è stato creato per conservare in condizioni migliori e più sane alimenti congelati che devono essere scongelati lentamente (carne, pesce, pollo, ecc.) come necessario o alimenti che non si devono congelare e devono essere consumati in breve tempo. Non mettere prodotti caseari o alimenti simili da non congelare in questo scomparto, che è il più freddo dello scomparto frigo.



Utilizzo del frigorifero

5.12 Scomparto frutta e verdura

Lo scomparto frutta e verdura del frigo è progettato in modo speciale per tenere la verdura fresca senza che perda la sua umidità. A questo scopo, si verifica una circolazione di aria fredda intorno allo scomparto frutta e verdura in generale. Rimuovere i ripiani dello sportello che si allineano con lo scomparto frutta e verdura prima di rimuovere gli scomparti frutta e verdura. Si possono rimuovere gli scomparti frutta e verdura come illustrato nella figura.



5.13 Spia blu

***opzionale**

Gli alimenti immagazzinati nei cestelli che sono segnati da una spia blu continuano la loro fotosintesi grazie all'effetto delle onde della luce blu e quindi conservano la freschezza e aumentano il contenuto di vitamine.

5.14 Luce blu/ HarvestFresh

***Non disponibile con tutti i modelli**

Per la luce blu,

Frutta e verdura conservate nei cassetti illuminati con luce blu continuano la loro fotosintesi grazie all'effetto della lunghezza d'onda della luce blu e conservano così il loro contenuto di vitamine.

Per HarvestFresh,

Frutta e verdura conservate in cassette illuminate con la tecnologia HarvestFresh conservano le loro vitamine più a lungo grazie alle luci blu, verdi, rosse e ai cicli di buio che simulano il ciclo della giornata.

Aperto la porta del frigorifero durante il periodo di buio della tecnologia HarvestFresh, il frigorifero fa una rilevazione automatica e permette alla luce blu-verde o rossa di illuminare il cassetto per la propria comodità. Dopo aver chiuso lo sportello del frigorifero, il periodo di buio continuerà, come fosse il periodo notturno in un ciclo diurno.

Utilizzo del frigorifero

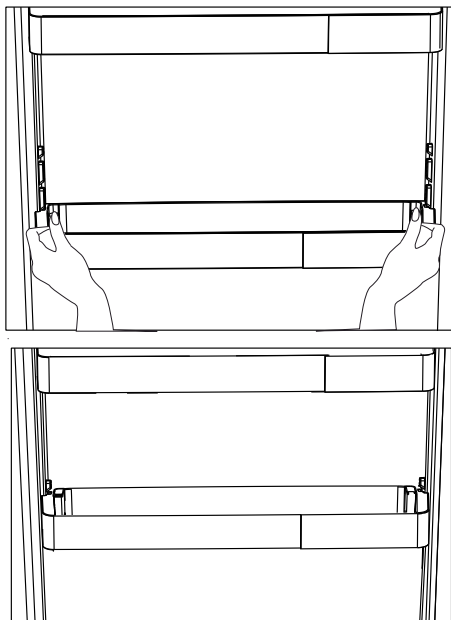
5.15 Ripiano mobile dello sportello

(Questa funzione è opzionale)

Il ripiano mobile dello sportello può essere fissato in 3 diverse posizioni. Premere i pulsanti mostrati ai lati allo stesso livello per spostare il ripiano. Il ripiano si sposta.

Spostare il ripiano verso l'alto o verso il basso.

Rilasciare i pulsanti quando il ripiano è nella posizione desiderata. Il ripiano si fissa sulla posizione in cui si rilasciano i pulsanti.

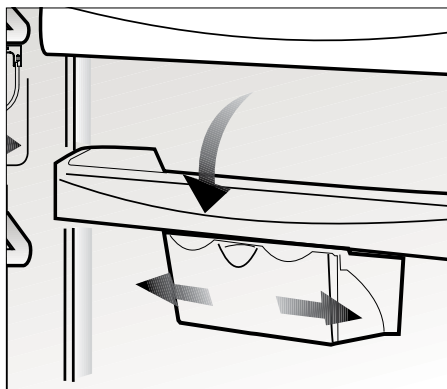


5.16 Ripiani estraibili

I ripiani estraibili possono essere tolti sollevandoli leggermente dalla parte anteriore e muovendoli avanti e indietro. Essi arrivano ad un punto di arresto quando vengono tirati in avanti consentendo di raggiungere gli alimenti che si trovano sul retro; quando vengono tirati leggermente verso l'alto al secondo punto di arresto, il ripiano viene rilasciato.

Il ripiano deve essere tenuto stretto dal basso per evitare che si capovolga. Il ripiano è posto sui binari ai lati del corpo del frigorifero portandolo ad un livello inferiore o superiore.

Il ripiano deve essere spinto all'indietro per sistemarsi completamente.



Utilizzo del frigorifero

5.17 Corsori di controllo dell'umidità dello scomparto frutta e verdura

Lo scomparto frutta e verdura del frigo è progettato in modo speciale per tenere la verdura fresca senza che perda la sua umidità. L'aria fredda circola intorno a frutta e verdura e il quantitativo di aria che passa attraverso la frutta e la verdura è controllato dai cursori sul lato anteriore del coperchio dello scomparto.

I cursori di controllo dell'umidità possono essere regolati alla posizione adatta alle condizioni di umidità e raffreddamento degli alimenti nello scomparto.

Se si desidera che gli alimenti nello scomparto si raffreddino di più, aprire i fori dei cursori di controllo dell'umidità e se si vuole che si raffreddino di meno e conservino più a lungo l'umidità, chiudere i fori.

5.18 Auto Icematic

(Questa funzione è opzionale)

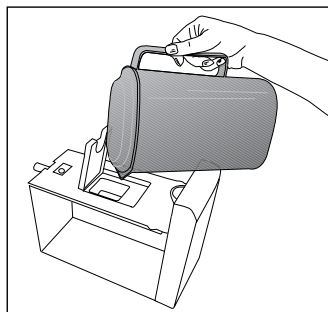
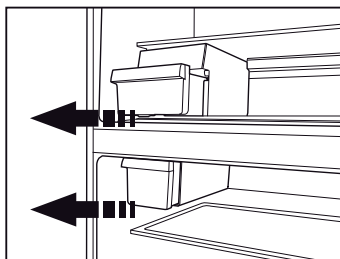
La funzione Icematic automatica consente di preparare facilmente il ghiaccio nel frigo. Rimuovere il serbatoio dell'acqua dallo scomparto frigo, riempirlo di acqua e reinstallarlo per ottenere il ghiaccio dall'Icematic. I primi cubetti di ghiaccio saranno pronti in circa 2 ore nel cassetto Icematic che si trova nello scomparto freezer.

Se si riempie completamente il serbatoio dell'acqua, sarà possibile ottenere circa 60-70 cubetti di ghiaccio.

Cambiare l'acqua nel serbatoio dell'acqua dopo circa 2-3 settimane.



per gli apparecchi dotati della funzione Icematic automatica, si può avvertire un rumore durante il versamento del ghiaccio. Questo rumore è normale e non indica un errore.



Utilizzo del frigorifero

5.19 Descrizione e pulizia del filtro odori:

OPZIONALE *

Il filtro odori evita la formazione di odori sgradevoli nel frigorifero.

Tirare verso il basso il coperchio in cui è installato il filtro odori e rimuovere secondo l'illustrazione. Lasciare il filtro per un giorno alla luce del sole. In filtro si pulirà in questo lasso di tempo. Installare di nuovo il filtro in posizione.

Il filtro odori deve essere pulito una volta all'anno.

5.20 HerbBox/HerbFresh

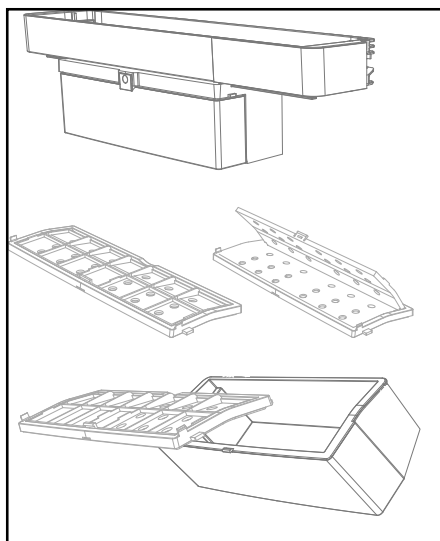
Togliere la custodia della pellicola dal HerbBox/HerbFresh+.

Togliere la pellicola dal sacchetto e inserirla nella custodia della pellicola come indicato in figura.

Chiudere la custodia e inserirla nuovamente nell'unità HerbBox/HerbFresh+.

Gli scomparti di HerbBox-HerbFresh+ sono ideali per la conservazione delle specie di erbe specialmente per quelle che devono essere conservate in condizioni sensibili. Potete conservare fresche le vostre verdure (prezzemolo, aneto, ecc) che avete tolto dal loro sacchetto in questo scomparto in posizione orizzontale per un periodo più lungo.

La pellicola deve essere sostituita ogni sei mesi.

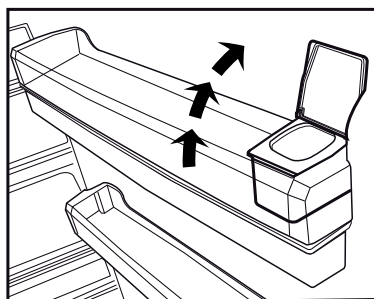
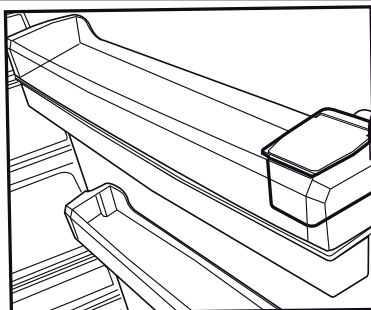
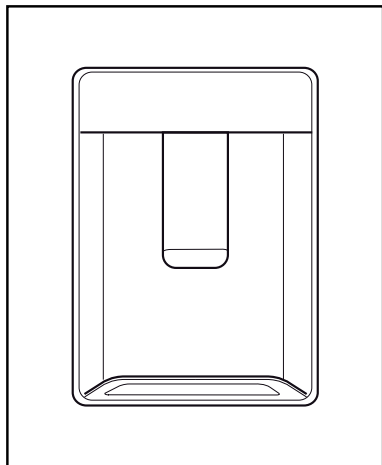


Utilizzo del frigorifero

5.21 Erogatore d'acqua

(in alcuni modelli)

L'erogatore dell'acqua è una funzione molto utile per ottenere acqua fredda senza aprire lo sportello del frigorifero. Dal momento che non bisogna aprire con frequenza lo sportello del frigorifero, si risparmia energia.



5.22 Uso dell'erogatore d'acqua

Premere il braccio dell'erogatore d'acqua col bicchiere. L'erogatore smette di erogare quando viene rilasciato il braccio. Quando si usa l'erogatore dell'acqua, il flusso massimo può essere ottenuto premendo completamente il braccio. Ricordare che la quantità del flusso dall'erogatore è soggetta al livello di pressione sul braccio.

Quando il livello dell'acqua nel bicchiere/nel contenitore aumenta, diminuire leggermente la pressione sul braccio per evitare traboccamento. Se si preme delicatamente il braccio, l'acqua gocciola; questo è normale e non è un guasto.

5.23 Riempimento del serbatoio dell'erogatore d'acqua

Il serbatoio per il riempimento dell'acqua si trova all'interno della rastrelliera dello sportello. Aprire il coperchio del serbatoio e riempire di acqua potabile pulita. E poi chiudere il coperchio.

Avvertenza!

- Non riempire il serbatoio d'acqua con liquidi diversi dall'acqua, come succhi di frutta, bevande gassate o bevande alcoliche che non sono adatte per essere usate nell'erogatore d'acqua. L'erogatore d'acqua si danneggerebbe in modo irreparabile a causa dell'uso di questi liquidi. La garanzia non copre tali usi. Alcune sostanze chimiche e alcuni additivi contenuti in questo tipo di bevande/liquidi possono danneggiare il materiale del serbatoio d'acqua.
- Usare solo acqua potabile pulita e pura.

Utilizzo del frigorifero

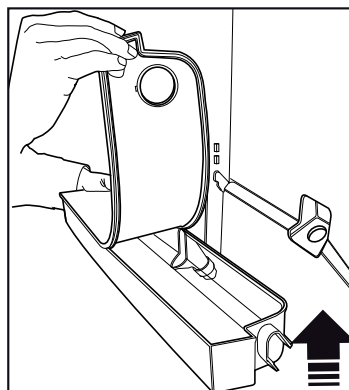
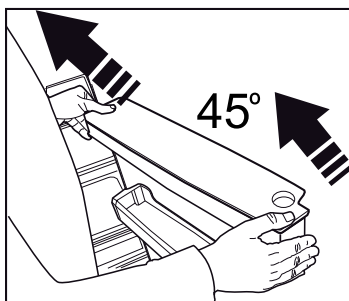
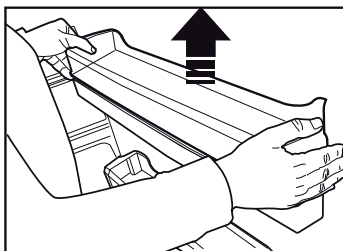
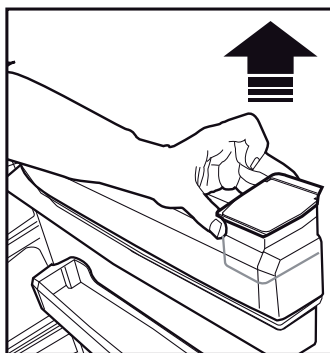
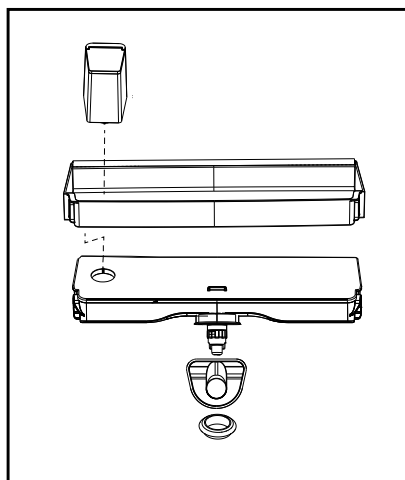
- La capacità del serbatoio dell'acqua è 3 litri; non riempire oltre.
- Premere il braccio dell'erogatore d'acqua con un bicchiere rigido. Se si usano bicchieri di plastica usa e getta, spingere il braccio con le dita da dietro il bicchiere.

5.24 Pulizia del serbatoio dell'acqua

- Rimuovere il serbatoio di riempimento dell'acqua dalla rastrelliera interna dello sportello.
- Rimuovere la rastrelliera tenendo da entrambi i lati.
- Afferrare il serbatoio dell'acqua da entrambi i lati e rimuoverlo con un angolo di 45°C.
- Pulire il serbatoio dell'acqua rimuovendone il coperchio.

Importante:

I componenti del serbatoio dell'acqua e dell'erogatore dell'acqua non devono essere lavati in lavastoviglie.



Utilizzo del frigorifero

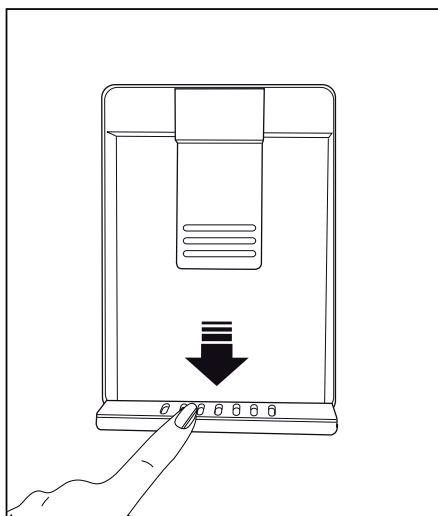
5.25 Vaschetta per l'acqua

L'acqua che sgocciola durante l'uso dell'erogatore si accumula nell'apposita vaschetta.

Estrarre la vaschetta in plastica come mostrato nella figura.

Con un panno asciutto e pulito, rimuovere l'acqua accumulata.

ATTENZIONE: Collegare solo ad una linea di acqua potabile.



Utilizzo del frigorifero

Impostazione Scomparto Congelatore	Impostazione Scomparto Frigorifero	Descrizioni
-18°C	4°C	Questa è l'impostazione predefinita è consigliata.
-20,-22 o -24°C	4°C	Queste impostazioni sono consigliate per temperature ambiente che superano i 30°C.
Congelamento rapido	4°C	Servirsi di questa opzione per congelare alimenti in un breve lasso di tempo; il dispositivo tornerà alle impostazioni precedenti al termine del processo.
-18°C o inferiore	2°C	Servirsi di queste impostazioni qualora si ritenga che lo scomparto frigorifero non sia abbastanza freddo a causa della temperatura ambiente o a causa delle frequenti aperture della porta.

5.26 Consigli per conservare alimenti surgelati

Lo scomparto deve essere impostato a una temperatura minima di -18°C.

1. Collocare gli alimenti all'interno del congelatore quanto più rapidamente possibile per evitare che si scongelino.
2. Prima del congelamento, verificare la "data di scadenza" sulla confezione per accertarsi del fatto che il prodotto non sia scaduto.
3. Accertarsi che la confezione dell'alimento non sia danneggiata.

5.27 Dettagli congelatore

Conformemente agli standard IEC 62552, Il congelatore deve avere la capacità di congelare 4,5 chili di alimenti a una temperatura di -18°C o inferiore, in 24 ore, per ogni 100 l di volume di scomparto di congelamento. Gli alimenti possono essere preservati solo per lunghi periodi di tempo a temperature uguali o inferiori a -18°. Sarà possibile conservare gli alimenti freschi per mesi,

all'interno del congelatore a temperature uguali o inferiori a -18°).

Gli alimenti da congelare non devono entrare in contatto con gli altri alimenti già congelati all'interno del congelatore, per evitare uno scongelamento parziale. Bollire le verdure filtrare l'acqua per estendere il tempo di conservazione congelato. Collocare gli alimenti in sacchetti ermetici, dopo aver eseguito il filtraggio e il posizionamento all'interno del congelatore. Banane, pomodori, lattuga, sedano, uova bollite, patate e altri alimenti simili non dovrebbero essere congelati. Congelando questi alimenti se ne ridurrà il valore nutrizionale e la qualità alimentare; i prodotti si potrebbero inoltre rovinare, il che causa problemi a livello di salute.

Utilizzo del frigorifero

5.28 Posizionamento degli alimenti

Ripiani dello scomparto congelatore	Vari alimenti congelati quali ad esempio carne, pesce, gelato, verdura, eccetera.
Ripiani dello scomparto frigorifero	Alimenti all'interno di pentole, vassoi e contenitori, uova, all'interno di una confezione
Ripiani della porta scomparto frigorifero	Piccoli alimenti o bevande
Cassetto verdura	Frutta e verdura
Scomparto alimenti freschi	Prodotti gastronomici, ad esempio colazione, carne da consumare a breve

5.29 Avvertenza sportello aperto (Questa funzione è opzionale)

Un segnale di avvertenza audio viene emesso quando lo sportello dell'apparecchio viene lasciato aperto per almeno 1 minuto. Questa avvertenza scompare quando lo sportello viene chiuso o se viene premuto uno dei pulsanti del display (se presenti).

5.30 Cambiamento della direzione di apertura della porta

La direzione di apertura della porta del frigorifero può essere modificata secondo il luogo in cui il frigorifero stesso sarà utilizzato. Per farlo, chiamare l'assistenza autorizzata più vicina.

La descrizione sopra è generale. Per informazioni sulla modifica della direzione di apertura della porta, bisogna vedere l'etichetta di avvertenza posizionata sul lato interno della porta.

5.31 Cambiare la lampadina di illuminazione

Per cambiare lampadina/LED utilizzati per illuminare il frigorifero, rivolgersi al Servizio Assistenza Autorizzato.

La lampada (le lampade) usata (usate) nell'apparecchiatura non è (sono) adatta (adatte) per l'illuminazione domestica. L'obiettivo previsto per questa lampada è quello di assistere l'utente in fase di posizionamento degli alimenti all'interno del frigorifero / congelatore in modo sicuro e comodo.

6. Pulizia e manutenzione

Pulendo il prodotto a intervalli regolari sarà possibile prolungare la durata di vita.



AVVERTENZA: Scollegare il frigorifero dalla corrente prima di eseguire la pulizia.

- Non usare strumenti appuntiti e abrasivi, sapone, materiali per pulire la casa, detersivi, gas, gasolio, vernice e sostanze simili per gli interventi di pulizia.
- Per i prodotti non-No Frost, si verifica la formazione di gocce di acqua e ghiaccio fino allo spessore di un dito sulla parete posteriore dello scomparto frigo. Non pulire; non applicare mai olio né agenti simili.
- Utilizzare solo panni umidi in microfibra per pulire la superficie esterna del prodotto. Spugne e altri tipi di panni per la pulizia possono graffiare la superficie.
- Sciogliere un cucchiaino di bicarbonato in acqua. Ammorbidire un panno in acqua, quindi strizzarlo. Pulire il dispositivo con questo panno, quindi asciugare completamente.
- Fare attenzione a tenere lontana l'acqua dalla copertura delle lampade dalle altre componenti elettriche.
- Pulire la porta con un panno bagnato. Togliere tutti gli elementi all'interno per staccare la porta ed i ripiani del telaio. Sollevare i ripiani della porta verso l'alto per poterli rimuovere. Pulire e asciugare i ripiani, poi fissare nuovamente in posizione facendo scorrere da sopra.

- Non usare cloro cronico o prodotti detersivi sulla superficie esterna del dispositivo e sulle componenti rivestite in cromo del prodotto. Il cloro provoca ruggine su queste superfici metalliche.

6.1. Evitare i cattivi odori

Il prodotto è stato realizzato senza materiali che emettono cattivi odori. Conservare tuttavia gli alimenti in sezioni non adeguate e pulire le superfici interne in modo non consono potrebbe provocare cattivi odori.

A tal fine consigliamo di pulire l'interno con acqua gassata ogni 15 giorni.

- Tenere gli alimenti in contenitori sigillati. I microrganismi potrebbero fuoriuscire dagli alimenti non sigillati causando così cattivi odori.
- Non conservare alimenti scaduti e marci all'interno del frigorifero.
- Non usare strumenti affilati e abrasivi o sapone, agenti detersivi domestici, detersivi, gasolio, benzene, cera, ecc., altrimenti le indicazioni sulle parti in plastica si toglieranno e si verificherà deformazione. Usare acqua tiepida e un panno morbido unicamente per le operazioni di pulizia e asciugatura.

6.2. Protezione delle superfici in plastica

L'olio rovesciato sulle superfici in plastica potrebbe danneggiare la superficie, e deve essere pulito immediatamente servendosi di acqua tiepida.

7. Risoluzione dei problemi

Controllare questo elenco prima di contattare l'assistenza clienti. Questa operazione vi consentirà di risparmiare soldi. Questo elenco contiene i problemi più frequenti che non a livello di manodopera o materiali. Alcune funzioni qui indicate potrebbero non essere valide per il vostro prodotto.

Il frigorifero non funziona.

- La presa di corrente non è stata inserita correttamente. >>> Spingerla fino a inserirla completamente nella presa.
- Il fusibile collegato alla presa che alimenta il prodotto, oppure il fusibile principale, è bruciato. >>> Controllare i fusibili.

Condensa sulla parete laterale dello scomparto frigorifero (MULTI ZONE, COOL, CONTROL e FLEXI ZONE).

- La porta viene aperta troppo spesso >>> Fare attenzione a non aprire eccessivamente la porta del dispositivo.
- L'ambiente è troppo umido. >>> Non installare il prodotto in ambienti umidi.
- Gli alimenti che contengono liquidi vengono conservati in contenitori non sigillati. >>> Tenere gli alimenti in contenitori sigillati.
- La porta viene lasciata aperta. >>> Non tenere aperte a lungo le porte del frigorifero.
- Il termostato è impostato su una temperatura troppo bassa. >>> Impostare il termostato su una temperatura adeguata.

Il compressore non funziona.

- In caso di improvviso black out, o nel caso in cui la spina venga tolta e poi reinserita, la pressione del gas nel sistema di raffreddamento del dispositivo non è equilibrata, il che fa scattare la protezione termica del compressore. Il dispositivo si riavvierà dopo circa 6 minuti. Qualora il prodotto non si riavvia dopo questo periodo, contattare l'assistenza.
- La modalità di scongelamento è attiva. >>> Si tratta di una condizione normale per un frigorifero con funzione di sbrinamento completamente automatica. Lo sbrinamento avviene a intervalli periodici.
- Il prodotto non è collegato. >>> Verificare che il cavo di alimentazione sia collegato.
- L'impostazione di temperatura non è corretta. >>> Selezionare l'impostazione di temperatura adeguata.
- Assenza di corrente. >>> Il prodotto continuerà a funzionare normalmente quando viene ripristinata la corrente elettrica.

Il rumore di funzionamento del frigorifero aumenta col passare del tempo.

- Le prestazioni operative del prodotto possono variare a seconda delle variazioni di temperatura ambiente. Questa non è un'anomalia di funzionamento.

Il frigorifero funziona troppo spesso o troppo lungo.

Risoluzione dei problemi

- Il nuovo prodotto potrebbe essere più grande di quello precedente. I prodotti più grandi funzioneranno più a lungo.
- La temperatura ambiente potrebbe essere alta. >>> Il prodotto funzionerà normalmente per lunghi periodi di tempo con temperature superiori.
- Il prodotto potrebbe essere stato di recente collegato alla corrente, oppure al suo interno potrebbero essere stati recentemente aggiunti vari alimenti. >>> Allo prodotto servirà più tempo per raggiungere la temperatura impostata, se collegato di recente, oppure nel caso in cui vengano collocati nuovi elementi al suo interno, Non si tratta di un'anomalia.
- Forse di recente sono state introdotte nel frigorifero grandi quantità di alimenti caldi. >>> Non mettere alimenti caldi direttamente dentro al frigorifero.
- Le porte sono state aperte frequentemente o tenute aperte a lungo. >>> L'aria calda che si muove all'interno provocherà un funzionamento più lungo. Non aprire le porte con troppa frequenza.
- Le porte del congelatore o del frigorifero potrebbero essere socchiuse. >>> Controllare che le porte siano totalmente chiuse.
- Il prodotto potrebbe essere impostato su una temperatura troppo bassa, >>> Impostare la temperatura su un livello più alto e attendere che il prodotto raggiunga la temperatura desiderata.
- La rondella della porta del frigorifero del congelatore potrebbe essere sporca, usurata, rotta o non correttamente configurata, >>> Pulire e sostituire la rondella. Le rondelle consumate e usurate faranno funzionare il prodotto più a lungo per conservare la temperatura attuale.

La temperatura del congelatore è molto bassa, ma la temperatura del frigorifero è corretta.

- La temperatura dello scomparto congelatore è impostata su un livello molto basso, >>> Impostare la temperatura dello scomparto congelatore su un livello più alto, quindi eseguire un controllo.

La temperatura del frigorifero è molto bassa, ma la temperatura del congelatore è corretta.

- La temperatura dello scomparto frigorifero è impostata su un livello molto basso, >>> Impostare la temperatura dello scomparto frigorifero su un livello più alto, quindi eseguire un controllo.

Gli alimenti conservati nei cassetti dello scomparto frigorifero sono congelati.

- La temperatura dello scomparto frigorifero è impostata su un livello molto basso, >>> Impostare la temperatura dello scomparto congelatore su un livello più alto, quindi eseguire un controllo.

La temperatura nel vano frigorifero e congelatore è troppo alta.

Risoluzione dei problemi

- La temperatura dello scomparto frigorifero è impostata su un livello molto alto, >>> L'impostazione della temperatura dello scomparto frigorifero influenza la temperatura dello scomparto del congelatore. Modificare la temperatura dello scomparto congelatore o frigorifero e attendere che tutti gli scomparti interessati raggiungano il livello di temperatura impostata.
- Le porte sono state aperte frequentemente o tenute aperte a lungo. >>> Non aprire le porte con troppa frequenza.
- La porta potrebbe essere socchiusa. >>> Chiudere completamente la porta.
- Il prodotto potrebbe essere stato di recente collegato alla corrente, oppure al suo interno potrebbero essere stati recentemente aggiunti vari alimenti. >>> Al prodotto servirà più tempo per raggiungere la temperatura impostata, se collegato di recente, oppure nel caso in cui vengano collocati nuovi elementi al suo interno.
- Di recente sono state introdotte nel frigorifero grandi quantità di alimenti caldi. >>> Non mettere alimenti caldi direttamente dentro al frigorifero.
- Il pavimento non è in piano o resistente. >>> Se il prodotto vibra, quando viene spostato lentamente, regolare i supporti per equilibrare il prodotto. Verificare inoltre che la superficie di appoggio sia sufficientemente resistente per supportarne il peso.
- Gli eventuali oggetti collocati sul prodotto potrebbero essere fonte di rumore. >>> Togliere gli eventuali elementi collocati sul prodotto.

Il prodotto emette rumori, come ad esempio liquido che scorre, spruzzo, eccetera

- I principi operativi del prodotto prevedono la presenza di flussi di liquidi e flussi di gas. >>> Questa non è un'anomalia di funzionamento.

C'è un rumore, simile a un soffio, che proviene dal prodotto.

- Il prodotto si serve di una ventola per il processo di raffreddamento. Questa non è un'anomalia di funzionamento.

Si è formata condensa sulle pareti interne del dispositivo.

- Le condizioni meteo calde o umide aumentano la formazione di ghiaccio e di condensa. Questa non è un'anomalia di funzionamento.
- Le porte sono state aperte frequentemente o tenute aperte a lungo. >>> Non aprire le porte con troppa frequenza; se la porta è aperta, chiuderla.
- La porta potrebbe essere socchiusa. >>> Chiudere completamente la porta.

Vibrazioni o rumore.

Risoluzione dei problemi

Si è formata condensa sulla superficie esterna del dispositivo o fra le porte.

- Le condizioni ambientali potrebbero essere umide, e ciò è normale. >>> La condensa si dissipa quando l'umidità viene ridotta.

L'interno emette cattivi odori.

- Il prodotto non viene pulito regolarmente. >>> Pulire la superficie interna a intervalli regolari servendosi di spugna, acqua tiepida, e acqua gassata.
- Alcuni contenitori e imballaggi potrebbero emettere cattivi odori. >>> Servirsi di imballaggi che non emettano cattivi odori.
- Gli alimenti sono stati collocati all'interno di contenitori non sigillati. >>> Tenere gli alimenti in contenitori sigillati. I microrganismi potrebbero fuoriuscire dagli alimenti non sigillati causando così cattivi odori.
- Rimuovere gli eventuali alimenti scaduti o rovinati dal dispositivo.

La porta non si chiude correttamente.

- Le confezioni di cibo potrebbero bloccare la porta. >>> Trovare una nuova posizione per gli alimenti che bloccano le porte.
- Il prodotto non è in posizione verticale, appoggiato per terra. >>> Regolare i supporti per l'equilibrio del prodotto.
- Il pavimento non è in piano o resistente. >>> Verificare che la superficie di appoggio sia sufficientemente resistente per supportarne il peso.

Il cassetto verdura si è inceppato.

- Gli alimenti potrebbero entrare in contatto con la sezione superiore cassetto. >>> Ri-organizzare gli alimenti nel cassetto.

Se La Superficie Del Prodotto È Bollente.

- Quando il prodotto è in funzione, possono essere osservate alte temperature tra i due sportelli, sui pannelli laterali e sul grill posteriore. . Ciò è normale e non richiede manutenzione!



AVVERTENZA: Qualora il problema persista dopo aver seguito le istruzioni contenute in questa selezione, contattare il proprio fornitore oppure un Servizio Autorizzato. Evitare in ogni caso di riparare il prodotto.