

beko

Refrigerator

User manual

Kühlschrank/Gefrierschrank

Bedienungsanleitung

Congélateur/Réfrigérateur

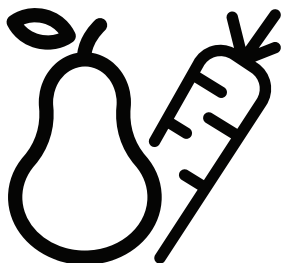
Manuel d'utilisation

Frigorifero

Manuale utente

Koelkast

Gebruiksaanwijzing



TS 190320 - TS 190340N

EN / DE / FR / IT / NL



RECYCLED &
RECYCLABLE PAPER



RECYCELTES UND
RECYCELBARES PAPIER



PAPIER ENTIERÈMENT
RECYCLÉ ET RECYCLABLE



CARTA RICICLATA E
RICICLABILE

CE



GERECYCLED &
RECYCLEBAAR PAPIER

Please read this user manual first!

Dear Customer,

We hope that your product, which has been produced in modern plants and checked under the most meticulous quality control procedures, will provide you an effective service.

Therefore, read this entire user manual carefully before using the product and keep it as a reference. If you handover the product to someone else, give the user manual as well.

The user manual will help you use the product in a fast and safe way.

- Read the manual before installing and operating the product.
- Make sure you read the safety instructions.
- Keep the manual in an easily accessible place as you may need it later.
- Read the other documents given with the product.

Remember that this user manual is also applicable for several other models. Differences between models will be identified in the manual.

Explanation of symbols

Throughout this user manual the following symbols are used:

 Important information or useful tips.

 Warning against dangerous conditions for life and property.

 Warning against electric voltage.

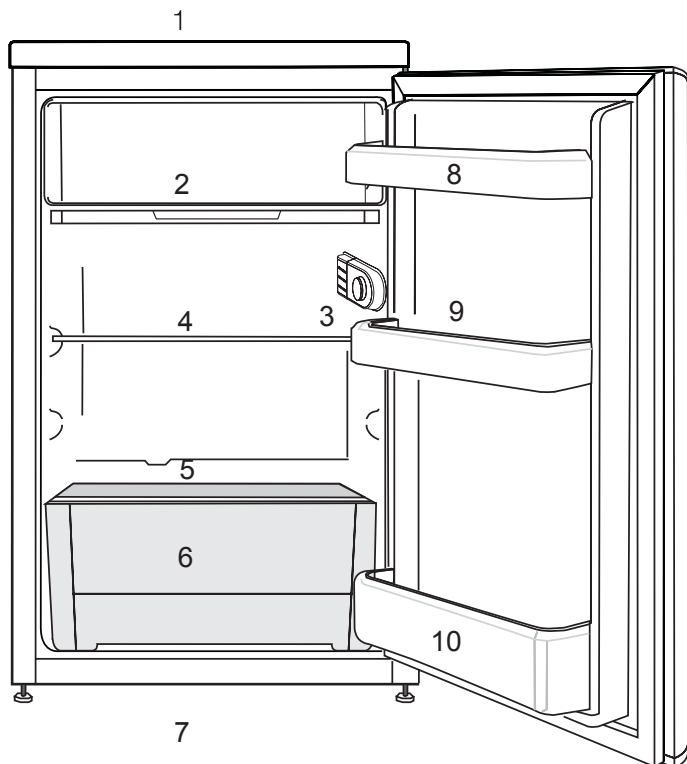
Packaging sorting information

Please scan the QR code which places on the outer packaging of the product to find all the information relating to the packaging and how to manage the packaging waste.

CONTENTS

1 Your refrigerator	3	4 Preparation	14
2 Important Safety Warnings	4	5 Using your refrigerator	15
Intended use	4	Defrosting of the appliance	16
General safety	4	Cooling	16
For products with a	7	Food storage	16
water dispenser;	7	6 Maintenance and cleaning	18
Child safety	7	Protection of plastic surfaces	18
Compliance with WEEE Directive and Disposing of the Waste Product:	8	7 Troubleshooting	19
Package information	8		
HC warning	8		
Things to be done for energy saving	9		
3 Installation	10		
Points to be paid attention to when the relocation of the refrigerator	10		
Electrical connection	10		
Disposing of the packaging	11		
Disposing of your old refrigerator	11		
Placing and Installation	11		
Adjusting the legs	12		
Changing the illumination lamp	12		
Reversing the doors	13		

1 Your refrigerator



- | | |
|-------------------------------------|--------------------------|
| 1. Top trim | 6. Crisper |
| 2. Drain tray | 7. Adjustable front feet |
| 3. Interior light & Thermostat knob | 8. Door shelves |
| 4. Movable shelf | 9. Egg tray |
| 5. Crisper cover | 10. Bottle shelf |

i Figures that take place in this instruction manual are schematic and may not correspond exactly with your product. If the subject parts are not included in the product you have purchased, then it is valid for other models.

2 Important Safety Warnings

Please review the following information. Failure to observe this information may cause injuries or material damage. Otherwise, all warranty and reliability commitments will become invalid.

Original spare parts will be provided for 10 years, following the product purchasing date.

Intended use

⚠	WARNING: Keep ventilation openings, in the appliance enclosure or in the built-in structure, clear of obstruction.
⚠	WARNING: Do not use mechanical devices or other means to accelerate the defrosting process, other than those recommended by the manufacturer.
⚠	WARNING: Do not damage the refrigerant circuit.
⚠	WARNING: Do not use electrical appliances inside the food storage compartments of the appliance, unless they are of the type recommended by the manufacturer.

WARNING:



Do not store explosive substances such as aerosol cans with a flammable propellant in this appliance.

This appliance is intended to be used in household and similar applications such as

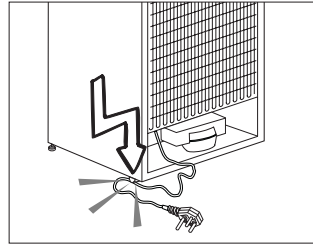
- staff kitchen areas in shops, offices and other working environments;
- farm houses and by clients in hotels, motels and other residential type environments;
- bed and breakfast type environments;
- catering and similar non-retail applications.

General safety

- When you want to dispose/ scrap the product, we recommend you to consult the authorized service in order to learn the required information and authorized bodies.
- Consult your authorized service for all your questions and problems related to the refrigerator. Do not intervene or let someone intervene to the refrigerator without notifying the authorised services.
- For products with a freezer compartment; Do not eat cone ice cream and ice cubes immediately after you take them out of the freezer compartment! (This may cause frostbite in your mouth.)

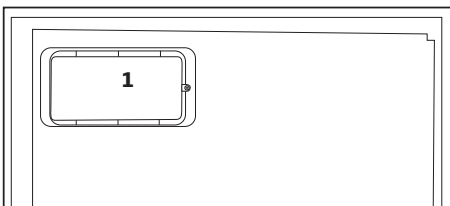
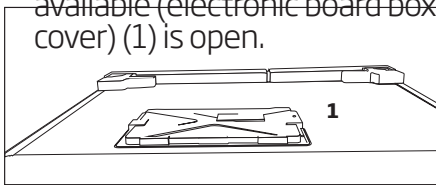
- For products with a freezer compartment; Do not put bottled and canned liquid beverages in the freezer compartment. Otherwise, these may burst.
- Do not touch frozen food by hand; they may stick to your hand.
- Unplug your refrigerator before cleaning or defrosting.
- Vapor and vaporized cleaning materials should never be used in cleaning and defrosting processes of your refrigerator. In such cases, the vapor may get in contact with the electrical parts and cause short circuit or electric shock.
- Never use the parts on your refrigerator such as the door as a means of support or step.
- Do not use electrical devices inside the refrigerator.
- Do not damage the parts, where the refrigerant is circulating, with drilling or cutting tools. The refrigerant that might blow out when the gas channels of the evaporator, pipe extensions or surface coatings are punctured causes skin irritations and eye injuries.
- Do not cover or block the ventilation holes on your refrigerator with any material.
- Electrical devices must be repaired by only authorised persons. Repairs performed by incompetent persons create a risk for the user.
- In case of any failure or during a maintenance or repair work, disconnect your refrigerator's mains supply by either turning off the relevant fuse or unplugging your appliance.
- Do not pull by the cable when pulling off the plug.
- Ensure highly alcoholic beverages are stored securely with the lid fastened and placed upright.
- Never store spray cans containing flammable and explosive substances in the refrigerator.
- Do not use mechanical devices or other means to accelerate the defrosting process, other than those recommended by the manufacturer.
- This product is not intended to be used by persons with physical, sensory or mental disorders or unlearned or inexperienced people (including children) unless they are attended by a person who will be responsible for their safety or who will instruct them accordingly for use of the product
- Do not operate a damaged refrigerator. Consult with the service agent if you have any concerns.
- Electrical safety of your refrigerator shall be guaranteed only if the earth system in your house complies with standards.

- Exposing the product to rain, snow, sun and wind is dangerous with respect to electrical safety.
- Contact authorized service when there is a power cable damage to avoid danger.
- Never plug the refrigerator into the wall outlet during installation. Otherwise, risk of death or serious injury may arise.
- This refrigerator is intended for only storing food items. It must not be used for any other purpose.
- Label of technical specifications is located on the left wall inside the refrigerator.
- Never connect your refrigerator to electricity-saving systems; they may damage the refrigerator.
- If there is a blue light on the refrigerator, do not look at the blue light with optical tools.
- For manually controlled refrigerators, wait for at least 5 minutes to start the refrigerator after power failure.
- This operation manual should be handed in to the new owner of the product when it is given to others.
- Avoid causing damage on power cable when transporting the refrigerator. Bending cable may cause fire. Never place heavy objects on power cable. Do not touch the plug with wet hands when plugging the product



- Do not plug the refrigerator if the wall outlet is loose.
- Water should not be sprayed on inner or outer parts of the product for safety purposes.
- Do not spray substances containing inflammable gases such as propane gas near the refrigerator to avoid fire and explosion risk.
- Never place containers filled with water on top of the refrigerator; in the event of spillages, this may cause electric shock or fire.
- Do not overload the refrigerator with food. If overloaded, the food items may fall down and hurt you and damage refrigerator when you open the door.
- Never place objects on top of the refrigerator; otherwise, these objects may fall down when you open or close the refrigerator's door.
- As they require a precise temperature, vaccines, heat-sensitive medicine and scientific materials and etc. should not be kept in the refrigerator.

- If not to be used for a long time, refrigerator should be unplugged. A possible problem in power cable may cause fire.
- Refrigerator may move if adjustable legs are not properly secured on the floor. Properly securing adjustable legs on the floor can prevent the refrigerator to move.
- When carrying the refrigerator, do not hold it from door handle. Otherwise, it may be snapped.
- When you have to place your product next to another refrigerator or freezer, the distance between devices should be at least 8cm. Otherwise, adjacent side walls may be humidified.
- The product shall never be used while the compartment which is located at the top or back of your product and in which electronic boards are available (electronic board box cover) (1) is open.



For products with a water dispenser;

- Pressure for cold water inlet shall be maximum 90 psi (6.2 bar). If your water pressure exceeds 80 psi (5.5 bar), use a pressure limiting valve in your mains system. If you do not know how to check your water pressure, ask for the help of a professional plumber.
- If there is risk of water hammer effect in your installation, always use a water hammer prevention equipment in your installation. Consult Professional plumbers if you are not sure that there is no water hammer effect in your installation.
- Do not install on the hot water inlet. Take precautions against the risk of freezing of the hoses. Water temperature operating interval shall be 33°F (0.6°C) minimum and 100°F (38°C) maximum.
- Use only potable water.

Child safety

- If the door has a lock, the key should be kept away from reach of children.
- Children must be supervised to prevent them from tampering with the product.

Compliance with WEEE Directive and Disposing of the Waste Product:



This product complies with EU WEEE Directive (2012/19/EU). This product bears a classification symbol for waste electrical and electronic equipment (WEEE).

This product has been manufactured with high quality parts and materials which can be reused and are suitable for recycling. Therefore, do not dispose the product with normal domestic waste at the end of its service life. Take it to a collection point for the recycling of electrical and electronic equipment. Please consult your local authorities to learn the nearest collection point. Help protect the environment and natural resources by recycling used products. For children's safety, cut the power cable and break the locking mechanism of the door, if any, so that it will be non-functional before disposing of the product.

Package information

Packaging materials of the product are manufactured from recyclable materials in accordance with our National Environment Regulations. Do not dispose of the packaging materials together with the domestic or other wastes. Take them to the packaging material

collection points designated by the local authorities.

Do not forget...

Any recycled substance is an indispensable matter for nature and our national asset wealth.

If you want to contribute to the re-evaluation of the packaging materials, you can consult to your environmentalist organizations or the municipalities where you are located.

HC warning

If your product's cooling system contains R600a:

This gas is flammable. Therefore, pay attention to not damaging the cooling system and piping during usage and transportation. In the event of damage, keep your product away from potential fire sources that can cause the product catch a fire and ventilate the room in which the unit is placed.

Ignore this warning if your product's cooling system contains R134a.

Type of gas used in the product is stated in the type label which is on the left wall inside the refrigerator.

Never throw the product in fire for disposal.

Things to be done for energy saving

- Do not leave the doors of your refrigerator open for a long time.
- Do not put hot food or drinks in your refrigerator.
- Do not overload your refrigerator so that the air circulation inside of it is not prevented.
- Do not install your refrigerator under direct sunlight or near heat emitting appliances such as ovens, dishwashers or radiators. Keep your refrigerator at least 30cm away from heat emitting sources and at least 5cm from electrical ovens.
- Pay attention to keep your food in closed containers.
- For products with a freezer compartment; You can store maximum amount of food items in the freezer when you remove the shelf or drawer of the freezer. Energy consumption value stated for your refrigerator has been determined by removing freezer shelf or drawer and under maximum load. There is no harm to use a shelf or drawer according to the shapes and size of food to be frozen.
- Thawing frozen food in fridge compartment will both provide energy saving and preserve the food quality.

3 Installation

⚠ In case the information which are given in the user manual are not taken into account, manufacturer will not assume any liability for this.

Points to be paid attention to when the relocation of the refrigerator

1. Your refrigerator should be unplugged. Before transportation of your refrigerator, it should be emptied and cleaned.

2. Before it is re-packaged, shelves, accessories, crisper, etc. inside your refrigerator should be fixed with adhesive tape and secured against impacts. Package should be bound with a thick tape or sound ropes and the transportation rules on the package should be strictly observed.

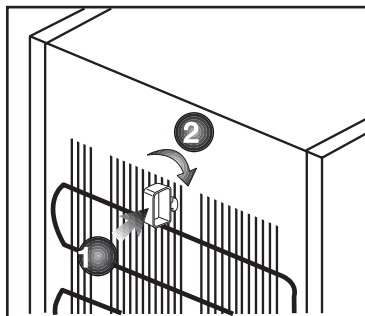
3. Original packaging and foam materials should be kept for future transportations or moving.

Before you start the refrigerator, **Check the following before you start to use your refrigerator:**

1. Attach 2 plastic wedges as illustrated below. Plastic wedges are intended to keep the distance which will ensure the air circulation between your refrigerator and the wall. (The picture is drawn up as a representation and it is not identical with your product.)

2. Clean the interior of the refrigerator as recommended in the "Maintenance and cleaning" section.

3. Connect the plug of the refrigerator to the wall socket. When the fridge door is opened, fridge internal lamp will turn on.



4. When the compressor starts to operate, a sound will be heard. The liquid and gases sealed within the refrigeration system may also give rise to noise, even if the compressor is not running and this is quite normal.

5. Front edges of the refrigerator may feel warm. This is normal. These areas are designed to be warm to avoid condensation.

Electrical connection

Connect your product to a grounded socket which is being protected by a fuse with the appropriate capacity.

Important:

The connection must be in compliance with national regulations.

- The power plug must be easily accessible after installation.
- Electrical safety of your refrigerator shall be guaranteed only if the earth system in your house complies with standards.
- The voltage stated on the label located at left inner side of your product should be equal to your network voltage.
- Extension cables and multi plugs must not be used for connection.

⚠ A damaged power cable must be replaced by a qualified electrician.

⚠ Product must not be operated before it is repaired! There is the risk of electric shock!

Disposing of the packaging

The packing materials may be dangerous for children. Keep the packing materials out of the reach of children or dispose of them by classifying them in accordance with the waste instructions stated by your local authorities. Do not throw away with regular house waste, throw away on packaging pick up spots designated by the local authorities.

The packing of your refrigerator is produced from recyclable materials.

Disposing of your old refrigerator

Dispose of your old refrigerator without giving any harm to the environment.

- You may consult your authorized dealer or waste collection center of your municipality about the disposal of your refrigerator.

Before disposing of your refrigerator, cut out the electric plug and, if there are any locks on the door, make them inoperable in order to protect children against any danger.

Placing and Installation

⚠ If the entrance door of the room where the refrigerator will be installed is not wide enough for the refrigerator to pass through, then call the authorized service to have them remove the doors of your refrigerator and pass it sideways through the door.

1. Install your refrigerator to a place that allows ease of use.

2. Keep your refrigerator away from heat sources, humid places and direct sunlight.

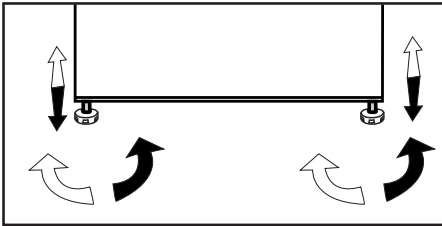
3. There must be appropriate air ventilation around your refrigerator in order to achieve an efficient operation. If the refrigerator is to be placed in a recess in the wall, there must be at least 5 cm distance with the ceiling and at least 5 cm with the wall. Do not place your product on the materials such as rug or carpet.

4. Place your refrigerator on an even floor surface to prevent jolts.

Adjusting the legs

If your refrigerator is unbalanced;

You can balance your refrigerator by turning its front legs as illustrated in the figure. The corner where the leg exists is lowered when you turn in the direction of black arrow and raised when you turn in the opposite direction. Taking help from someone to slightly lift the refrigerator will facilitate this process.



Changing the illumination lamp

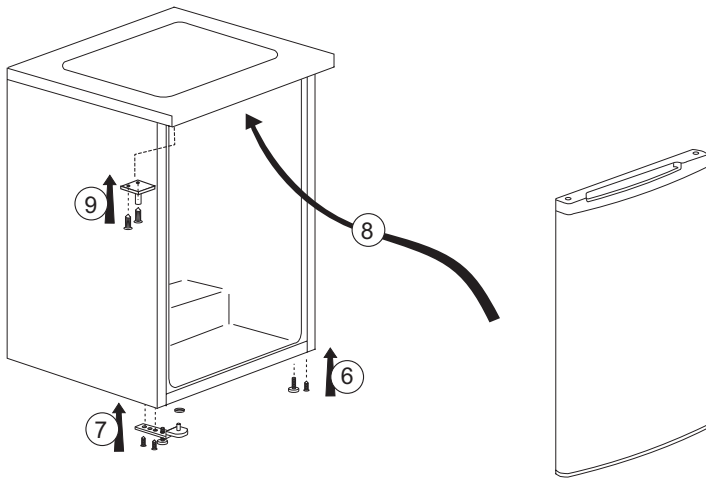
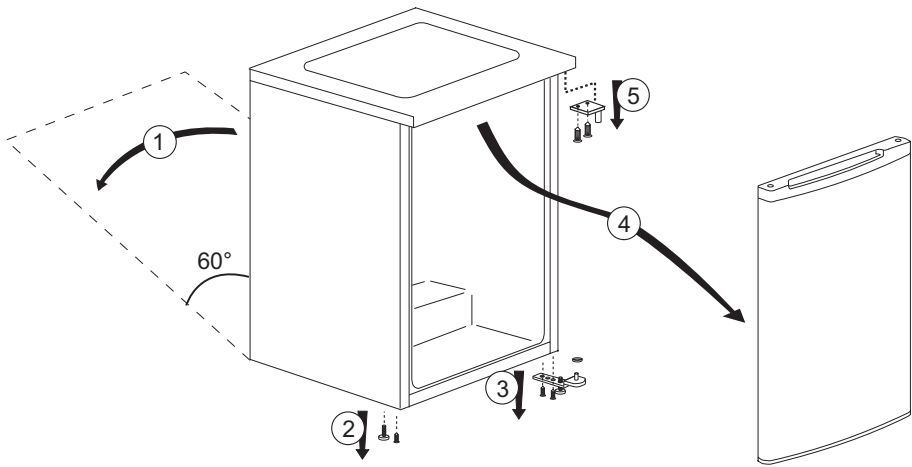
To change the Bulb/LED used for illumination of your refrigerator, call your AuthorisedService.

The lamp(s) used in this appliance is not suitable for household room illumination. The intended purpose of this lamp is to assist the user to place foodstuffs in the refrigerator/freezer in a safe and comfortable way. The lamps used in this appliance have to withstand extreme physical conditions such as temperatures below -20°C .

(only chest and upright freezer)

Reversing the doors

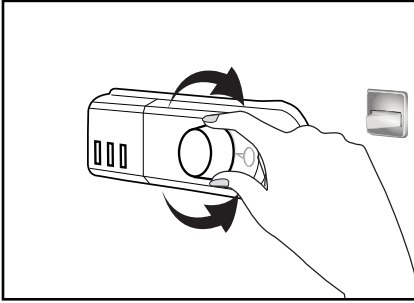
Proceed in numerical order



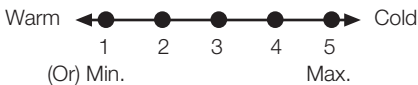
4 Preparation

- i** Your refrigerator should be installed at least 30 cm away from heat sources such as hobs, ovens, central heater and stoves and at least 5 cm away from electrical ovens and should not be located under direct sunlight.
- i** The ambient temperature of the room where you install your refrigerator should at least be 5°C. Operating your refrigerator under cooler conditions than this is not recommended with regard to its efficiency.
- i** Please make sure that the interior of your refrigerator is cleaned thoroughly.
- i** If two refrigerators are to be installed side by side, there should be at least 2 cm distance between them.
- i** When you operate your refrigerator for the first time, please observe the following instructions during the initial six hours.
 - The door should not be opened frequently.
 - It must be operated empty without any food in it.
 - Do not unplug your refrigerator. If a power failure occurs out of your control, please see the warnings in the "Recommended solutions for the problems" section.
- i** Original packaging and foam materials should be kept for future transportations or moving.

5 Using your refrigerator



The operating temperature is regulated by the temperature control.



**1 = Lowest cooling setting
(Warmest setting)**

**5 = Highest cooling setting
(Coldest setting)**

(Or)

**Min. = Lowest cooling setting
(Warmest setting)**

**Max. = Highest cooling setting
(Coldest setting)**

The average temperature inside the fridge should be around +5°C.

Please choose the setting according to the desired temperature.

You can stop operation of your appliance by turning the thermostat knob to "0" position.

Please note that there will be different temperatures in the cooling area.

The coldest region is immediately above the vegetable compartment.

At ambient temperature higher than 30°C, remove the drain tray for better cooling performance.

The interior temperature also depends on ambient temperature, the frequency with which the door is opened and the amount of food kept inside.

Frequently opening the door causes the interior temperature to rise.

For this reason, it is recommended to close the door again as soon as possible after use.

The coldest region is immediately below the ice making compartment.

Under high humidity, condensation may occur on your refrigerator; this is not a failure. It can be wiped with a dry cloth according to safety instructions. Icing, frosting and condensation are normal for icebox compartment and water drain container.

Defrosting of the appliance

Excessive build-up of ice will affect the cooling performance of your device.

It is therefore recommended that you defrost your appliance at least twice a year, or whenever the ice build-up exceeds 7 mm.

Defrost your device when there is only little or no food in it.

Take out the food. Wrap the food in several layers of paper, or a blanket, and keep it in a cold place.

Unplug the appliance or switch off the circuit breaker to start the defrosting process.

Take out the accessories (like shelf, drawer etc.) from the appliance and use a suitable container to collect the thawing water.

Use a sponge or a soft cloth to remove thawing water if necessary at the compartments.

Keep the door open during defrosting.

For quicker defrosting, place containers with warm water inside the appliance.

Never use electrical devices, defrosting sprays or pointed or sharp-edged objects such as knives or forks to remove the ice.

After the defrosting is done, clean the inside.

Reconnect the appliance to the mains. Place the frozen food into the drawers and slide the drawers into the freezer.

Switch off the circuit breaker and unplug the appliance for your safety to start the defrosting process.

During defrost, evaporation tray damper should be positioned as in the winter mode. After defrost, it can be positioned with respect to summer or winter mode, as needed.

Cooling

Food storage

The fridge compartment is for the short-term storage of fresh food and drinks.

Store milk products in the intended compartment in the refrigerator.

Bottles can be stored in the bottle holder or in the bottle shelf of the door.

Raw meat is best kept in a polyethylene bag in the compartment at the very bottom of the refrigerator.

Allow hot food and beverages to cool to room temperature prior to placing them in the refrigerator.

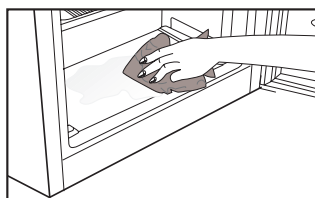
• Attention

Store concentrated alcohol in a container only standing upright and tightly closed.

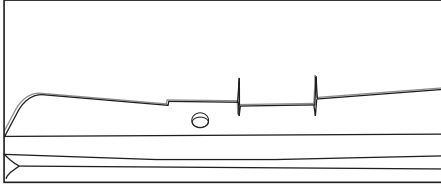
• Attention

Do not store explosive substances or containers with flammable propellant gases (canned cream, spray cans etc.) in the appliance.

There is a danger of explosion.



The shown close-tipped offset is part of design, it has no effect on cooling system.



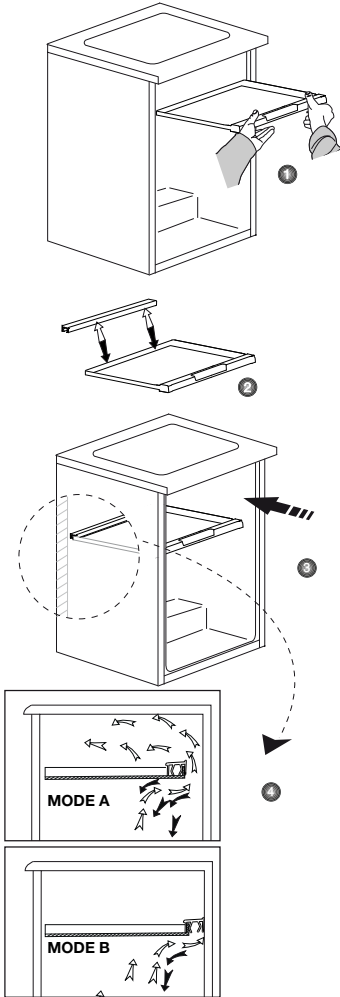
Evaporation tray damper should be used as described below to maintain desired compartment temperature depending on the ambient temperature, such as winter mode for cold ambient temperature and summer mode for hot ambient temperature.

SUMMER MODE (MODE A)

When cooler compartment temperature is required...

WINTER MODE (MODE B)

(When warmer compartment temperature is required and defrosting.)



6 Maintenance and cleaning

- ⚠ Never use gasoline, benzene or similar substances for cleaning purposes.
- ⚠ We recommend that you unplug the appliance before cleaning.
- ⚠ Never use any sharp abrasive instrument, soap, household cleaner, detergent and wax polish for cleaning.
- ⚠ In producten die geen No Frost hebben ontstaan er op de achterwand van het koelvak waterdruppels en een vingerdikke ijslaag. Maak het niet schoon; doe er nooit olie op soortgelijke middelen op.
- ⚠ Gebruik uitsluitend licht vochtige microvezeldoeken om de buitenkant van het product schoon te maken. Sponzen en andere soorten schoonmaakdoeken kunnen het oppervlak krassen.
- ⚠ For non-No Frost products, water drops and frosting up to a fingerbreadth occur on the rear wall of the Fridge compartment. Do not clean it; never apply oil or similar agents on it.
- ⚠ Only use slightly damp microfiber cloths to clean the outer surface of the product. Sponges and other types of cleaning cloths may scratch the surface.
- ℹ Use lukewarm water to clean the cabinet of your refrigerator and wipe it dry.
- ℹ Use a damp cloth wrung out in a solution of one teaspoon of bicarbonate of soda to one pint of water to clean the interior and wipe it dry.
- ⚠ Make sure that no water enters the lamp housing and other electrical items.
- ⚠ If your refrigerator is not going to be used for a long period of time, unplug the power cable, remove all food, clean it and leave the door ajar.
- ℹ Check door seals regularly to ensure they are clean and free from food particles.
- ⚠ To remove door racks, remove all the contents and then simply push the door rack upwards from the base.
- ⚠ Never use cleaning agents or water that contain chlorine to clean the outer surfaces and chromium coated parts of the product. Chlorine causes corrosion on such metal surfaces.
- ⚠ Do not use sharp, abrasive tools, soap, household cleaning agents, detergents, kerosene, fuel oil, varnish etc. to prevent removal and deformation of the prints on the plastic part. Use lukewarm water and a soft cloth for cleaning and then wipe it dry.

Protection of plastic surfaces

- ℹ Do not put the liquid oils or oil-cooked meals in your refrigerator in unsealed containers as they damage the plastic surfaces of your refrigerator. In case of spilling or smearing oil on the plastic surfaces, clean and rinse the relevant part of the surface at once with warm water.

7 Troubleshooting

Check this list before contacting the service. Doing so will save you time and money. This list includes frequent complaints that are not related to faulty workmanship or materials. Certain features mentioned herein may not apply to your product.

The refrigerator is not working.

- The power plug is not fully settled. >>> Plug it in to settle completely into the socket.
- The fuse connected to the socket powering the product or the main fuse is blown. >>> Check the fuses.

Condensation on the side wall of the cooler compartment (MULTI ZONE, COOL, CONTROL and FLEXI ZONE).

- The door is opened too frequently >>> Take care not to open the product's door too frequently.
- The environment is too humid. >>> Do not install the product in humid environments.
- Foods containing liquids are kept in unsealed holders. >>> Keep the foods containing liquids in sealed holders.
- The product's door is left open. >>> Do not keep the product's door open for long periods.
- The thermostat is set to too low temperature. >>> Set the thermostat to appropriate temperature.

Compressor is not working.

- In case of sudden power failure or pulling the power plug off and putting back on, the gas pressure in the product's cooling system is not balanced, which triggers the compressor thermic safeguard.

The product will restart after approximately 6 minutes. If the product does not restart after this period, contact the service.

- Defrosting is active. >>> This is normal for a fully-automatic defrosting product. The defrosting is carried out periodically.
- The product is not plugged in. >>> Make sure the power cord is plugged in.
- The temperature setting is incorrect. >>> Select the appropriate temperature setting.
- The power is out. >>> The product will continue to operate normally once the power is restored.

The refrigerator's operating noise is increasing while in use.

- The product's operating performance may vary depending on the ambient temperature variations. This is normal and not a malfunction.

The refrigerator runs too often or for too long.

- The new product may be larger than the previous one. Larger products will run for longer periods.
- The room temperature may be high. >>> The product will normally run for long periods in higher room temperature.
- The product may have been recently plugged in or a new food item is placed inside. >>> The product will take longer to reach the set temperature when recently plugged in or a new food item is placed inside. This is normal.

- Large quantities of hot food may have been recently placed into the product. >>> Do not place hot food into the product.
- The doors were opened frequently or kept open for long periods. >>> The warm air moving inside will cause the product to run longer. Do not open the doors too frequently.
- The freezer or cooler door may be ajar. >>> Check that the doors are fully closed.
- The product may be set to temperature too low. >>> Set the temperature to a higher degree and wait for the product to reach the adjusted temperature.
- The cooler or freezer door washer may be dirty, worn out, broken or not properly settled. >>> Clean or replace the washer. Damaged / torn door washer will cause the product to run for longer periods to preserve the current temperature.

The freezer temperature is very low, but the cooler temperature is adequate.

- The freezer compartment temperature is set to a very low degree. >>> Set the freezer compartment temperature to a higher degree and check again.

The cooler temperature is very low, but the freezer temperature is adequate.

- The cooler compartment temperature is set to a very low degree. >>> Set the freezer compartment temperature to a higher degree and check again.

The food items kept in cooler compartment drawers are frozen.

- The cooler compartment temperature is set to a very low degree. >>> Set the freezer compartment temperature to a higher degree and check again.

The temperature in the cooler or the freezer is too high.

- The cooler compartment temperature is set to a very high degree. >>> Temperature setting of the cooler compartment has an effect on the temperature in the freezer compartment. Wait until the temperature of relevant parts reach the sufficient level by changing the temperature of cooler or freezer compartments.
- The doors were opened frequently or kept open for long periods. >>> Do not open the doors too frequently.
- The door may be ajar. >>> Fully close the door.
- The product may have been recently plugged in or a new food item is placed inside. >>> This is normal. The product will take longer to reach the set temperature when recently plugged in or a new food item is placed inside.
- Large quantities of hot food may have been recently placed into the product. >>> Do not place hot food into the product.

Shaking or noise.

- The ground is not level or durable. >>> If the product is shaking when moved slowly, adjust the stands to balance the product. Also make sure the ground is sufficiently durable to bear the product.

- Any items placed on the product may cause noise. >>> Remove any items placed on the product.

The product is making noise of liquid flowing, spraying etc.

- The product's operating principles involve liquid and gas flows. >>> This is normal and not a malfunction.

There is sound of wind blowing coming from the product.

- The product uses a fan for the cooling process. This is normal and not a malfunction.

There is condensation on the product's internal walls.

- Hot or humid weather will increase icing and condensation. This is normal and not a malfunction.
- The doors were opened frequently or kept open for long periods. >>> Do not open the doors too frequently; if open, close the door.
- The door may be ajar. >>> Fully close the door.

There is condensation on the product's exterior or between the doors.

- The ambient weather may be humid, this is quite normal in humid weather. >>> The condensation will dissipate when the humidity is reduced.

The interior smells bad.

- The product is not cleaned regularly. >>> Clean the interior regularly using sponge, warm water and carbonated water.
- Certain holders and packaging materials may cause odour. >>> Use holders and packaging materials without free of odour.

- The foods were placed in unsealed holders. >>> Keep the foods in sealed holders. Micro-organisms may spread out of unsealed food items and cause malodour. Remove any expired or spoilt foods from the product.

The door is not closing.

- Food packages may be blocking the door. >>> Relocate any items blocking the doors.
- The product is not standing in full upright position on the ground. >>> Adjust the stands to balance the product.
- The ground is not level or durable. >>> Make sure the ground is level and sufficiently durable to bear the product.

The vegetable bin is jammed.

- The food items may be in contact with the upper section of the drawer. >>> Reorganize the food items in the drawer.

If The Surface Of The Product Is Hot.

- High temperatures may be observed between the two doors, on the side panels and at the rear grill while the product is operating. This is normal and does not require service maintenance! Be careful when touching these areas.

⚠ WARNING:

If the problem persists after following the instructions in this section, contact your vendor or an Authorised Service. Do not try to repair the product.

Bitte lesen Sie zuerst diese Anleitung!

Lieber Kunde,

Wir sind sicher, dass Ihnen dieses Produkt, das in modernsten Fertigungsstätten hergestellt und den strengsten Qualitätsprüfungen unterzogen wurde, lange Zeit gute Dienste leisten wird.

Wir empfehlen Ihnen, vor Inbetriebnahme des Gerätes das gesamte Handbuch durchzulesen und es anschließend aufzubewahren.




Diese Anleitung...

- hilft Ihnen, Ihr Gerät schnell und sicher zu bedienen.
- Lesen Sie die Anleitung, bevor Sie Ihr Gerät aufstellen und bedienen.
- Halten Sie sich an die Anweisungen, beachten Sie insbesondere die Sicherheitshinweise.
- Bewahren Sie die Anleitung an einem leicht zugänglichen Ort auf, damit Sie jederzeit darin nachschlagen können.
- Lesen Sie auch die weiteren Dokumente, die mit Ihrem Produkt geliefert wurden.

Bitte beachten Sie, dass diese Anleitung eventuell auch für andere Geräte eingesetzt werden kann.

Symbole und ihre Bedeutung

In dieser Anleitung finden Sie die folgenden Symbole:

-  Wichtige Informationen oder nützliche Tipps.
-  Warnung vor Verletzungen oder Sachschäden.
-  Warnung vor elektrischem Strom.

INHALT

1 Ihr Kühlschrank / Gefrierschrank 4

2 Wichtige Sicherheitshinweise 5

Bestimmungsgemäßer Einsatz.....	5
Allgemeine Hinweise zu Ihrer Sicherheit	5
Bei Geräten mit Wasserspender:	9
Kinder - Sicherheit	10
Erfüllung von WEEE-Vorgaben zur Entsorgung von Altgeräten:	10
Hinweise zur Verpackung	10
HC-Warnung.....	10
Tipps zum Energiesparen	11

3 Installation 12

Wenn Sie den Kühlschrank versetzen möchten:.....	12
Vor dem Einschalten	12
Elektrischer Anschluss.....	13
Verpackungsmaterialien entsorgen	13
Altgeräte entsorgen.....	13
Aufstellung und Installation	13
Füße einstellen	14
Beleuchtung auswechseln	14
Türanschlag umkehren	15

4 Vorbereitung 16

5 So nutzen Sie Ihren Kühlschrank / Gefrierschrank 17

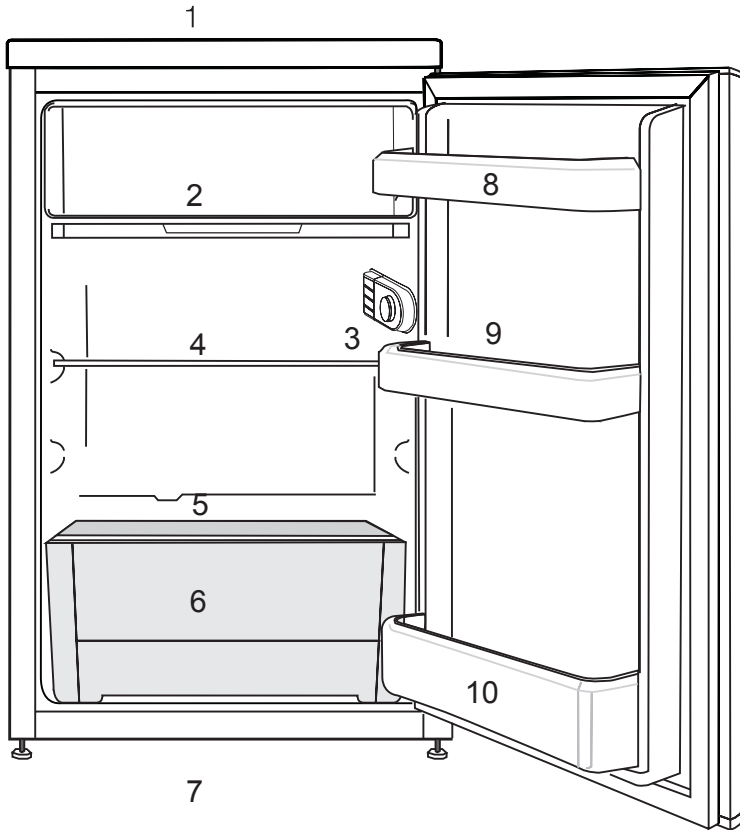
Gerät abtauen.....	18
Lagern von Lebensmitteln	18

6 Wartung und Reinigung 21

Schutz der Kunststoffflächen	21
------------------------------------	----

7 Empfehlungen zur Problemlösung 22

1 Ihr Kühlschrank /Gefrierschrank



- | | |
|---|---|
| 1. Obere Abschlussplatte | 6. Gemüsefach |
| 2. Tropfschale | 7. Einstellbare Füße an der Vorderseite |
| 3. Innenbeleuchtung und Thermostatknopf | 8. Türablagen |
| 4. Bewegliche Ablagen | 9. Eierbehälter |
| 5. Gemüsefachabdeckung | 10. Flaschenablage |

! Abbildungen und Angaben in dieser Anleitung sind schematisch und können etwas von Ihrem Produkt abweichen. Falls Teile nicht zum Lieferumfang des erworbenen Gerätes zählen, gelten sie für andere Modelle.

2 Wichtige Sicherheitshinweise

Bitte lesen Sie die folgenden Hinweise aufmerksam durch. Bei Nichtbeachtung dieser Angaben kann es zu Verletzungen und Sachschäden kommen. In diesem Fall erlöschen auch sämtliche Garantie- und sonstigen Ansprüche.

Originalersatzteile stehen für einen Zeitraum von 10 Jahre beginnend mit dem Kaufdatum zur Verfügung.

Bestimmungsgemäßer Einsatz

⚠	ACHTUNG: Stellen Sie sicher, dass wenn das Gerät in seinem Gehäuse oder platziert ist, die Entlüftungsöffnungen nicht blockiert werden.
⚠	ACHTUNG: Um den Auftauvorgang zu beschleunigen, keine anderen mechanischen Geräte oder Geräte verwenden, die nicht vom Hersteller empfohlen sind.
⚠	ACHTUNG: Dem Kühlmittelkreislauf keine Schäden zufügen.

ACHTUNG:



In den ebensmittelaufbewahrungsfächern keine elektrischen Geräte verwenden, die nicht vom Hersteller empfohlen sind.

WARNUNG:



Lagern Sie keinerlei explosiven Substanzen (dazu zählen auch Sprühdosen mit brennbarem Treibmittel) im Gerät.

Dieses Gerät ist für die private Nutzung oder für den Gebrauch bei folgenden ähnlichen Anwendungen konzipiert wurden

- In Personalküchen in Geschäften, Büros und anderen Arbeitsumgebungen;
- In Bauernhöfen, Hotels, Motels und anderen Unterkünften, für den Gebrauch der Kunden;
- Umgebungen mit Übernachtung und Frühstück;
- Bei Catering und ähnlichen Non-Retail-Anwendungen.

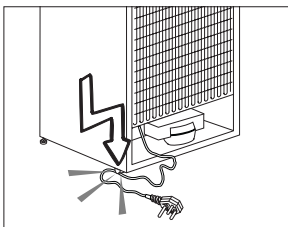
Allgemeine Hinweise zu Ihrer Sicherheit

- Wenn Sie das Gerät entsorgen möchten, wenden Sie sich am besten an den autorisierten Kundendienst. Hier erhalten Sie notwendige Informationen und erfahren, welche Stellen für die Entsorgung zuständig sind.
- Bei Problemen und Fragen zum Gerät wenden Sie sich grundsätzlich an den autorisierten Kundendienst. Ziehen Sie keine Dritten zu Rate, versuchen Sie nichts in Eigenregie, ohne den autorisierten Kundendienst davon in Kenntnis zu setzen.
- Bei Geräten mit Tiefkühlbereich: Der Verzehr von Speiseeis und Eiswürfeln unmittelbar nach der Entnahme aus dem Tiefkühlbereich ist nicht ratsam. (Dies kann zu Erfrierungen führen.)
- Bei Geräten mit Tiefkühlbereich: Bewahren Sie Getränke in Flaschen sowie Dosen niemals im Tiefkühlbereich auf. Diese platzen.
- Berühren Sie gefrorene Lebensmittel nicht mit der Hand; sie können festfrieren.
- Trennen Sie Ihren Kühlschrank vor dem Reinigen oder Abtauen vom Stromnetz.
- Verwenden Sie niemals Dampf- oder Sprühreiniger zum Reinigen und Abtauen Ihres Kühlschranks. Die Dämpfe oder Nebel können in Kontakt mit stromführenden Teilen geraten und Kurzschlüsse oder Stromschläge auslösen.
- Missbrauchen Sie niemals Teile Ihres Kühlschranks (z. B. Tür) als Befestigungen oder Kletterhilfen.
- Nutzen Sie keine elektrischen Geräte innerhalb des Kühlschranks.
- Achten Sie darauf, den Kühlkreislauf keinesfalls mit Bohr- oder Schneidwerkzeugen zu beschädigen. Das Kühlmittel kann herausspritzen, wenn die Gaskanäle des Verdunsters, Rohr- und Schlauchleitungen oder Oberflächenversiegelungen beschädigt werden. Dies kann zu Hautreizungen und Augenverletzungen führen.
- Decken Sie keinerlei Belüftungsöffnungen des Kühlschranks ab.
- Elektrische Geräte dürfen nur von autorisierten Fachkräften repariert werden. Reparaturen durch weniger kompetente Personen können erhebliche Gefährdungen des Anwenders verursachen.
- Sollten Fehler oder Probleme

- während der Wartung oder Reparaturarbeiten auftreten, so trennen Sie den Kühlschrank von der Stromversorgung, indem Sie die entsprechende Sicherung abschalten oder den Netzstecker ziehen.
- Ziehen Sie niemals am Netzkabel – ziehen Sie direkt am Stecker.
 - Achten Sie darauf, hochprozentige Getränke stehend und mit fest verschlossenem Deckel zu lagern.
 - Bewahren Sie niemals Sprühdosen mit brennbaren und explosiven Substanzen im Kühlschrank auf.
 - Nutzen Sie keine mechanischen oder anderen Hilfsmittel, um das Gerät abzutauen – es sei denn, solche Hilfsmittel werden ausdrücklich vom Hersteller empfohlen.
 - Dieses Produkt darf nicht von Personen (einschließlich Kindern) mit eingeschränkten physischen, sensorischen oder geistigen Fähigkeiten bedient werden, sofern sie nicht durch eine Person, die für ihre Sicherheit verantwortlich ist, in der Bedienung des Produktes angeleitet werden.
 - Nehmen Sie einen beschädigten Kühlschrank nicht in Betrieb. Wenden Sie sich bei jeglichen Zweifeln an einen Kundendienstmitarbeiter.
 - Die elektrische Sicherheit des Gerätes ist nur dann gewährleistet, wenn das hausinterne Erdungssystem den zutreffenden Normen entspricht.
 - Setzen Sie das Gerät keinem Regen, Schnee, direktem Sonnenlicht oder Wind aus; dies kann die elektrische Sicherheit gefährden.
 - Wenden Sie sich zur Vermeidung von Gefahren an den autorisierten Kundendienst, falls das Netzkabel beschädigt ist.
 - Stecken Sie während der Installation niemals den Netzstecker ein. Andernfalls kann es zu schweren bis tödlichen Verletzungen kommen.
 - Dieser Kühlschrank dient nur der Aufbewahrung von Lebensmitteln. Für andere Zwecke sollte er nicht verwendet werden.
 - Das Etikett mit den technischen Daten befindet sich an der linken Innenwand des Kühlschranks.
 - Schließen Sie Ihren Kühlschrank

niemals an energiesparende Systeme an; dies kann den Kühlschrank beschädigen.

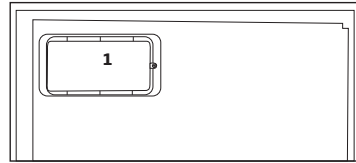
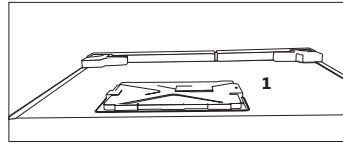
- Falls sich ein blaues Licht am Kühlschrank befindet, blicken Sie nicht längere Zeit mit bloßem Auge oder optischen Werkzeugen hinein.
- Bei manuell gesteuerten Kühlschränken warten Sie mindestens 5 Minuten, bevor Sie den Kühlschrank nach einem Stromausfall wieder einschalten.
- Falls Sie das Gerät an einen anderen Besitzer weitergeben, vergessen Sie nicht, die Bedienungsanleitung ebenfalls auszuhändigen.
- Achten Sie darauf, dass das Netzkabel beim Transport des Kühlschranks nicht beschädigt wird. Übermäßiges Biegen des Kabels birgt Brandgefahr. Platzieren Sie keine schweren Gegenstände auf dem Netzkabel.
- Berühren Sie den Netzstecker niemals mit feuchten oder gar nassen Händen.



- Schließen Sie den Kühlschrank nicht an lose Steckdosen an.
- Sprühen Sie aus Sicherheitsgründen niemals Wasser auf die Innen- und Außenflächen des Gerätes.
- Sprühen Sie keine Substanzen mit brennbaren Gasen, wie z. B. Propangas, in die Nähe des Kühlschranks; andernfalls bestehen Brand- und Explosionsgefahr.
- Stellen Sie keine mit Wasser gefüllten Gegenstände auf den Kühlschrank; dies birgt Brand- und Stromschlaggefahr.
- Überladen Sie das Gerät nicht mit Lebensmitteln. Wenn das Gerät überladen ist, können beim Öffnen der Kühlschranktür Lebensmittel herausfallen und Verletzungen verursachen.
- Stellen Sie keinesfalls Gegenstände auf den Kühlschrank; sie könnten beim Öffnen oder Schließen der Kühlschranktür herunterfallen.
- Materialien wie beispielsweise Impfstoffe, wärmeempfindliche Arznei, wissenschaftliche Proben usw. sollten nicht im Kühlschrank aufbewahrt werden, da sie bei exakt festgelegten Temperaturen gelagert werden müssen.

- Trennen Sie den Kühlschrank vom Stromnetz, wenn er längere Zeit nicht benutzt wird. Ein mögliches Problem im Netzkabel kann einen Brand auslösen.
- Wenn die höhenverstellbaren Füße nicht sicher auf dem Boden stehen, kann sich der Kühlschrank bewegen. Die angemessene Sicherung der höhenverstellbaren Füße am Boden kann eine Bewegung des Kühlschranks verhindern.
- Halten Sie den Kühlschrank beim Tragen nicht am Türgriff. Andernfalls könnte er abbrechen.
- Wenn Sie Ihr Produkt neben einem anderen Kühl- oder Gefrierschrank aufstellen möchten, sollte der Abstand zwischen beiden Geräten mindestens 8 cm betragen. Andernfalls können die benachbarten Seitenwände feucht werden.
- Benutzen Sie das Gerät niemals, wenn die sich auf der Oberseite bzw. auf der Rückseite befindlichen Bereiche mit den elektronischen Leitern im Inneren geöffnet sind (Abdeckung der

elektronischen Leiterplatten) (1).



Bei Geräten mit Wasserspender:

- Der Druck für die Kaltwasserzufuhr sollte maximal 90 psi (620 kPa) betragen. Wenn der Wasserdruck in Ihrem Haushalt 80 psi (550 kPa) übersteigt, verwenden Sie bitte ein Druckbegrenzungsventil in Ihrem Leitungssystem. Sollten Sie nicht wissen, wie der Wasserdruck gemessen wird, ziehen Sie bitte einen Fachinstallateur hinzu.
- Sollte für Ihr Leitungssystem das Risiko eines Wasserschlags (Druckstoß) bestehen, verwenden

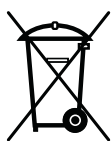
Sie stets eine geeignete Druckstoßsicherung. Wenden Sie sich bitte an einen Fachinstallateur, falls Sie sich über die Wasserschlaggefährdung in Ihrem Leitungssystem nicht sicher sein sollten.

- Nutzen Sie niemals die Warmwasserzufuhr für den Einbau. Treffen Sie geeignete Vorsichtsmaßnahmen zum Schutz der Leitungen gegen mögliches Einfrieren. Die für den Betrieb zulässige Wassertemperatur liegt im Bereich von mindestens 0,6°C (33°F) bis hin zu maximal 38°C (100°F).
- Nur Trinkwasser verwenden.

Kinder - Sicherheit

- Bei abschließbaren Türen bewahren Sie den Schlüssel außerhalb der Reichweite von Kindern auf.
- Achten Sie darauf, dass Kinder nicht mit dem Produkt spielen.

Erfüllung von WEEE-Vorgaben zur Entsorgung von Altgeräten:



Dieses Produkt erfüllt die Vorgaben der EU-WEEE-Direktive (2012/19/EU).

Das Produkt wurde mit einem Klassifizierungssymbol für elektrische und

elektronische Altgeräte (WEEE) gekennzeichnet.

Dieses Gerät wurde aus hochwertigen Materialien hergestellt, die wiederverwendet und recycelt werden können. Entsorgen Sie das Gerät am Ende seiner Einsatzzeit nicht mit dem regulären Hausmüll; geben Sie es stattdessen bei einer Sammelstelle zur Wiederverwertung von elektrischen und elektronischen Altgeräten ab. Ihre Stadtverwaltung informiert Sie gerne über geeignete Sammelstellen in Ihrer Nähe.

Hinweise zur Verpackung

Die Verpackungsmaterialien des Gerätes wurden gemäß nationalen Umweltschutzbestimmungen aus recyclingfähigen Materialien hergestellt. Entsorgen Sie Verpackungsmaterialien nicht mit dem regulären Hausmüll oder anderen Abfällen. Bringen Sie Verpackungsmaterialien zu geeigneten Sammelstellen; Ihre Stadtverwaltung berät Sie gern.

Nicht vergessen!

Recycelte Materialien leisten einen wichtigen Beitrag zu einer schönen und gesunden Umwelt.

Wenn Sie zur Wiederverwertung von Verpackungsmaterialien beitragen möchten, informieren Sie sich bei Ihren Umweltschutzbehörden oder der Stadtverwaltung, wo entsprechende Sammelstellen zu finden sind.

HC-Warnung

Falls das Kühlsystem Ihres Produktes R600a enthält:

Dieses Gas ist leicht entflammbar. Achten Sie also darauf, Kühlkreislauf und Leitungen während Betrieb und

Transport nicht zu beschädigen. Bei Beschädigungen halten Sie das Produkt von potenziellen Zündquellen (z. B. offenen Flammen) fern und sorgen für eine gute Belüftung des Raumes, in dem das Gerät aufgestellt wurde.

Ignorieren Sie diese Warnung, falls das Kühlsystem Ihres Produktes R134a enthält.

Die Art des im Gerät eingesetzten Gases wird auf dem Typenschild an der linken Innenwand des Kühlschranks angegeben.

Entsorgen Sie das Produkt keinesfalls durch Verbrennen.

Tipps zum Energiesparen

- Halten Sie die Kühlschrankschranktüren nur möglichst kurz geöffnet.
- Geben Sie keine warmen Speisen oder Getränke in den Kühlschrank.
- Überladen Sie den Kühlschrank nicht; die Luft muss frei zirkulieren können.
- Stellen Sie den Kühlschrank nicht im direkten Sonnenlicht oder in der Nähe von Wärmequellen wie Öfen, Spülmaschinen oder Heizkörpern auf. Halten Sie den Kühlschrank mindestens 30 cm von Wärmequellen und mindestens 5 cm von elektrischen Öfen entfernt.
- Achten Sie darauf, Ihre Lebensmittel in verschlossenen Behältern aufzubewahren.
- Bei Geräten mit Tiefkühlbereich: Sie können noch mehr Lebensmittel einlagern, wenn Sie die Ablage oder Schublade aus dem Tiefkühlbereich herausnehmen. Der für Ihren Kühlschrank angegebene

Energieverbrauch wurde nach dem Entfernen der Ablage oder Schublade und bei maximaler Beladung bestimmt. Ansonsten ist es Ihnen freigestellt, die Ablage oder Schublade zu verwenden.

- Das Auftauen von gefrorenen Lebensmitteln im Kühlbereich ist energiesparend und bewahrt die Qualität der Lebensmittel.

3 Installation

⚠ Der Hersteller haftet nicht, falls die Angaben in dieser Anleitung nicht berücksichtigt werden.

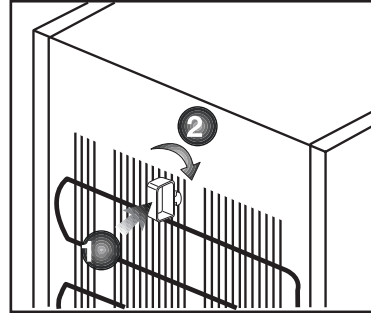
Wenn Sie den Kühlschrank versetzen möchten:

1. Ziehen Sie zuvor den Netzstecker. Der Kühlschrank sollte geleert und gesäubert werden, bevor Sie ihn transportieren oder versetzen.
2. Sichern Sie die beweglichen Teile im Inneren (z. B. Ablagen, Zubehör, Gemüsefach etc.) vor dem Verpacken mit Klebeband, schützen Sie solche Teile vor Stößen. Umwickeln Sie die Verpackung mit kräftigem Klebeband oder stabilen Schnüren, beachten Sie die Transporthinweise auf der Verpackung.
4. Originalverpackung und Schaumstoffmaterialien sollten zum zukünftigen Transport des Gerätes aufbewahrt werden.

Vor dem Einschalten

Beachten Sie Folgendes, bevor Sie Ihren Kühlschrank benutzen:

1. Bringen Sie die beiden Kunststoffkeile wie nachstehend abgebildet an. Die Kunststoffkeile sorgen für den nötigen Abstand zwischen Kühlschrank und Wand, damit die Luft frei zirkulieren kann. (Die Abbildung dient lediglich zur Orientierung und kann daher etwas von Ihrem Gerät abweichen.)



2. Bitte bringen Sie die beiden Kunststoffkeile wie in der Abbildung gezeigt an. Die Kunststoffkeile sorgen für den richtigen Abstand zwischen Kühlschrank und Wand - und damit für die richtige Luftzirkulation. (Die Abbildung dient lediglich zur Orientierung und muss nicht exakt mit Ihrem Gerät übereinstimmen.)
3. Reinigen Sie das Innere des Kühlschranks wie im Abschnitt „Wartung und Reinigung“ beschrieben.
4. Schließen Sie den Netzstecker des Kühlschranks an eine Steckdose an. Beim Öffnen der Tür leuchtet die Innenbeleuchtung auf.
5. Beim Anspringen des Kompressors sind Geräusche zu hören. Die Flüssigkeiten und Gase im Kühlsystem können auch leichte Geräusche erzeugen, wenn der Kompressor nicht läuft. Dies ist völlig normal.
6. Die Vorderkanten des Kühlgerätes können sich warm anfühlen. Dies ist normal. Diese Bereiche wärmen sich etwas auf, damit sich kein Kondenswasser bildet.

Elektrischer Anschluss

Schließen Sie das Gerät an eine geerdete (Schuko-) Steckdose an. Diese Steckdose muss mit einer passenden Sicherung abgesichert werden.

Wichtig:

- Der Anschluss muss gemäß lokaler Vorschriften erfolgen.
- Der Netzstecker muss nach der Installation frei zugänglich bleiben.
- Die elektrische Sicherheit des Gerätes ist nur dann gewährleistet, wenn das hausinterne Erdungssystem den zutreffenden Normen entspricht.
- Die auf dem Typenschild an der linken Innenwand des Gerätes angegebene Spannung muss mit Ihrer Netzspannung übereinstimmen.
- **Zum Anschluss dürfen keine Verlängerungskabel oder Mehrfachsteckdosen verwendet werden.**

⚠ Ein beschädigtes Netzkabel muss unverzüglich durch einen qualifizierten Elektriker ausgetauscht werden.

⚠ Das Gerät darf vor Abschluss der Reparaturen nicht mehr betrieben werden! Es besteht Stromschlaggefahr!

Verpackungsmaterialien entsorgen

Das Verpackungsmaterial kann eine Gefahr für Kinder darstellen. Halten Sie Verpackungsmaterialien von Kindern fern oder entsorgen Sie das Verpackungsmaterial gemäß

gültigen Entsorgungsbestimmungen. Entsorgen Sie das Verpackungsmaterial über geeignete Sammelstellen (Ihre Stadtverwaltung informiert Sie gerne), nicht über den regulären Hausmüll.

Die Verpackung Ihres Gerätes wurde aus recyclingfähigen Materialien hergestellt.

Altgeräte entsorgen

Entsorgen Sie Altgeräte auf umweltfreundliche Weise.

- Bei Fragen zur richtigen Entsorgung wenden Sie sich bitte an Ihren Händler, an eine Sammelstelle oder an Ihre Stadtverwaltung.

Bevor Sie das Gerät entsorgen, schneiden Sie den Netzstecker ab und machen die Türverschlüsse (sofern vorhanden) unbrauchbar, damit Kinder nicht in Gefahr gebracht werden.

Aufstellung und Installation

⚠ Falls die Tür des Raumes, in dem der Kühlschrank aufgestellt werden soll, nicht breit genug ist, wenden Sie sich an den autorisierten Kundendienst, lassen die Kühlschranktüren demontieren und befördern das Gerät seitlich durch die Tür.

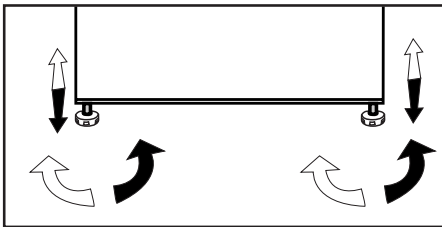
1. Stellen Sie Ihren Kühlschrank an einer gut erreichbaren Stelle auf.
2. Platzieren Sie den Kühlschrank nicht in der Nähe von Wärmequellen oder dort, wo er Feuchtigkeit oder direktem Sonnenlicht ausgesetzt ist.

3. Damit das Gerät richtig arbeiten kann, müssen Sie ausreichend Platz um das Gerät herum freilassen, damit eine ordentliche Belüftung gewährleistet ist. Wenn Sie den Kühlschrank in einer Nische aufstellen, müssen Sie einen Abstand von mindestens 5 cm zur Decke und 5 cm zu den Wänden einhalten. Stellen Sie das Gerät nicht auf Materialien wie Teppichen oder Teppichböden auf.
4. Stellen Sie Ihren Kühlschrank auf einem ebenen Untergrund auf, damit er nicht wackelt.

FüÙe einstellen

Wenn Ihr Kühlschrank nicht absolut gerade steht:

Sie können den Kühlschrank - wie in der Abbildung gezeigt - durch Drehen der FrontfüÙe ausbalancieren. Wenn Sie in Richtung des schwarzen Pfeils drehen, senkt sich die Ecke, an der sich der Fuß befindet. Beim Drehen in Gegenrichtung wird die Ecke angehoben. Diese Arbeit fällt erheblich leichter, wenn ein Helfer das Gerät etwas anhebt.



Beleuchtung auswechseln

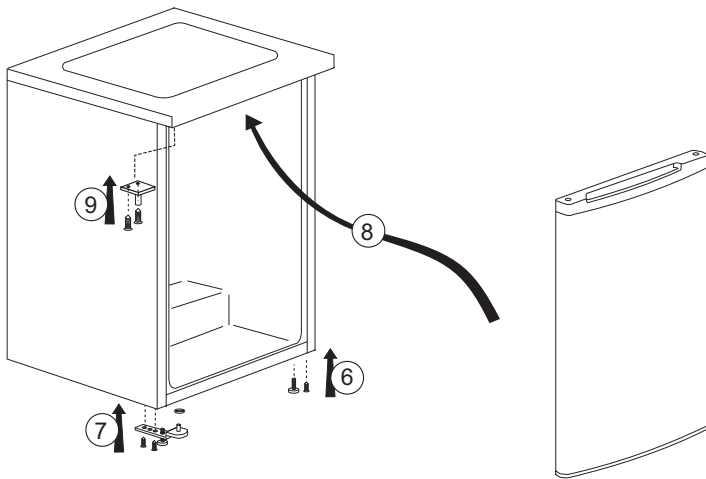
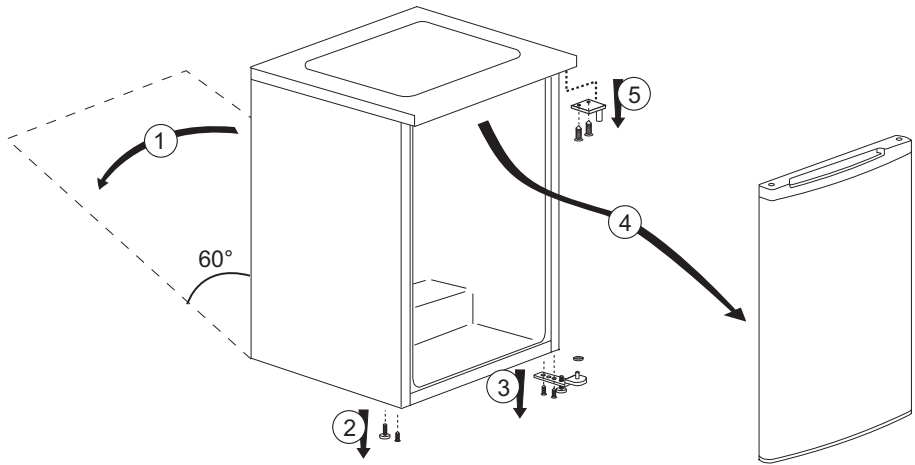
Die Innenbeleuchtung Ihres Kühlschranks sollte ausschließlich vom autorisierten Kundendienst ausgetauscht werden.

Die Glühlampen für dieses Haushaltsgerät sind für Beleuchtungszwecke nicht geeignet. Die beabsichtigte Aufgabe dieser Lampe ist es den Benutzer zu ermöglichen die Platzierung der Lebensmittel in den Kühlschrank / Eiskühltruhe sicher und bequem vorzunehmen.

Die in diesem Gerät verwendeten Lampen müssen extremen physikalischen Bedingungen, wie z. B. Temperaturen von $-20\text{ }^{\circ}\text{C}$, standhalten.

Türanschlag umkehren

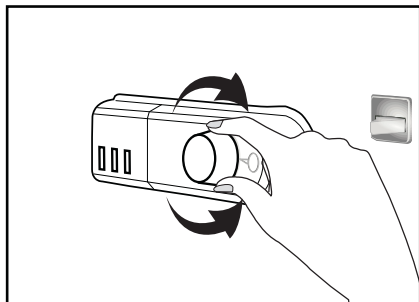
Gehen Sie der Reihe nach vor.



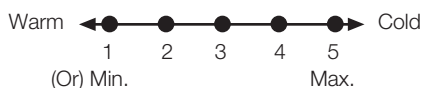
4 Vorbereitung

- Ihr Kühlschrank / Gefrierschrank sollte mindestens 30 cm von Hitzequellen wie Kochstellen, Öfen, Heizungen, Herden und ähnlichen Einrichtungen aufgestellt werden. Halten Sie mindestens 5 cm Abstand zu Elektroöfen ein, vermeiden Sie die Aufstellung im direkten Sonnenlicht.
- Die Zimmertemperatur des Raumes, in dem der Kühlschrank / Gefrierschrank aufgestellt wird, sollte mindestens 5 °C betragen. Im Hinblick auf den Wirkungsgrad ist der Betrieb des Kühlschrank / Gefrierschranks bei geringerer Umgebungstemperatur nicht ratsam.
- Sorgen Sie dafür, dass das Innere Ihres Kühlschrank / Gefrierschranks gründlich gereinigt wird.
- Falls zwei Kühlschränke nebeneinander platziert werden sollen, achten Sie darauf, dass sie mindestens 2 cm voneinander entfernt aufgestellt werden.
- Wenn Sie den Kühlschrank / Gefrierschrank zum ersten Mal in Betrieb nehmen, halten Sie sich bitte an die folgenden Anweisungen für die ersten sechs Betriebsstunden.
- Die Kühlschrank / Gefrierschrantür sollte nicht zu häufig geöffnet werden.
- Der Kühlschrank / Gefrierschrank muss zunächst vollständig leer arbeiten.
- Ziehen Sie nicht den Netzstecker. Falls der Strom ausfallen sollte, beachten Sie die Warnhinweise im Abschnitt „Empfehlungen zur Problemlösung“.
- Originalverpackung und Schaumstoffmaterialien sollten zum zukünftigen Transport des Gerätes aufbewahrt werden.
- Bei einigen Modellen schaltet sich das Bedienfeld 5 Minuten nach dem Schließen der Tür automatisch ab. Es schaltet sich wieder an, wenn die Tür geöffnet wurde oder indem man auf einen beliebigen Schalter drückt.
- Temperaturschwankungen aufgrund des Öffnens/Schließens der Kühlschranktür können zur Kondensation an den Böden in der Tür und im Kühlschrankinnern sowie an den Glasbehältern führen.

5 So nutzen Sie Ihren Kühlschrank / Gefrierschrank



Die Betriebstemperatur wird über die Temperatursteuerung reguliert.



1 = Schwächste Kühlung (wärmste Einstellung)

5 = Stärkste Kühlung (kälteste Einstellung)

(Oder)

Min. = Schwächste Kühlung (wärmste Einstellung)

Max. = Stärkste Kühlung (kälteste Einstellung)

Die Durchschnittstemperatur im Inneren des Kühlschranks / Gefrierschranks sollte bei etwa +5 °C liegen.

Bitte wählen Sie die der gewünschten Temperatur entsprechende Einstellung.

Sie können den Betrieb des Gerätes unterbrechen, indem Sie in den Thermostatknopf auf die Position „0“ einstellen.

Bitte beachten Sie, dass im Kühlbereich unterschiedliche Temperaturen herrschen.

Der kälteste Bereich befindet sich unmittelbar über dem Gemüsefach.

Die Innentemperatur hängt auch von der Umgebungstemperatur ab, außerdem davon, wie oft die Tür geöffnet wird und wie viel Lebensmittel im Inneren gelagert werden.

Auffangwanne bei Umgebungstemperaturen von mehr als 30 °C für bessere Kühlleistung entfernen.

Beim häufigen Öffnen der Tür steigt die Innentemperatur an.

Aus diesem Grund empfehlen wir, die Tür möglichst schnell wieder zu schließen.

Der kälteste Bereich befindet sich unmittelbar unter dem Eisbereiter.

Bei hoher Luftfeuchtigkeit können sich Wassertröpfchen am Kühlschrank / Gefrierschrank niederschlagen; dies ist völlig normal. Diese Kondensation können Sie einfach mit einem trockenen Tuch abwischen; beachten Sie dabei jedoch stets die Hinweise zu Ihrer Sicherheit. Im Tiefkühlbereich und im Wasserablauf können sich Feuchtigkeit und Eis bilden; dies ist völlig normal.

Gerät abtauen

Übermäßige Eisbildung kann sich negativ auf die Kühlungsleistung Ihres Gerätes auswirken.

Daher empfehlen wir Ihnen, das Gerät mindestens zweimal pro Jahr abzutauen – oder wenn die Eisschicht eine Stärke von 7 mm überschreitet.

Tauen Sie das Gerät ab, wenn sich keine oder nur wenige Lebensmittel darin befinden.

Nehmen Sie sämtliche Lebensmittel heraus. Wickeln Sie die Lebensmittel in mehrere Lagen Papier oder in ein Handtuch ein, anschließend an einem kühlen Ort lagern.

Zum Abtauen des Gerätes ziehen Sie den Netzstecker oder schalten die Sicherung aus.

Nehmen Sie Zubehörteile (wie Ablagen, Schubladen, usw.) aus dem Gerät heraus, fangen Sie das Tauwasser mit einem geeigneten Behälter auf.

Entfernen Sie Tauwasser (sofern nötig) mit einem Schwamm oder einem weichen Tuch aus den unterschiedlichen Ablagen und Fächern.

Lassen Sie die Tür beim Abtauen offen stehen.

Wenn Sie das Abtauen beschleunigen möchten, stellen Sie ein paar Schüsseln mit warmem Wasser in das Gerät.

Verwenden Sie niemals Elektrogeräte, Abtausprays oder spitze oder scharfkantige Gegenstände wie Messer oder Gabeln zum Entfernen des Eises.

Reinigen Sie den Innenraum nach dem Abtauen gründlich.

Schließen Sie das Gerät wieder an die Stromversorgung an. Legen Sie das Gefriergut in die Schubladen, schieben Sie die Schubladen in das Kühlgerät ein.

Aus Sicherheitsgründen schalten Sie die Sicherung ab oder ziehen den Netzstecker, bevor Sie das Gerät abtauen.

Beim Abtauen sollte die Verdunstungsschalenklappe wie im Winterbetrieb eingestellt werden. Nach dem Abtauen kann die Klappe wieder nach Bedarf auf Sommer- oder Winterbetrieb eingestellt werden.

Kühlen

Lagern von Lebensmitteln

Der Kühlbereich ist für die kurzfristige Lagerung von frischen Lebensmitteln und Getränken vorgesehen.

Lagern Sie Milchprodukte im dafür vorgesehenen Bereich des Kühlschranks / Gefrierschranks.

Flaschen können Sie im Flaschenhalter oder in der Flaschenablage der Tür aufbewahren.

Rohes Fleisch geben Sie am besten in einen Polyethylen-Beutel (PE) und lagern es im untersten Bereich des Kühlschranks / Gefrierschranks.

Lassen Sie heiße Speisen und Getränke immer erst auf Raumtemperatur abkühlen, bevor Sie diese in den Kühlschrank / Gefrierschrank stellen.

• **Achtung**

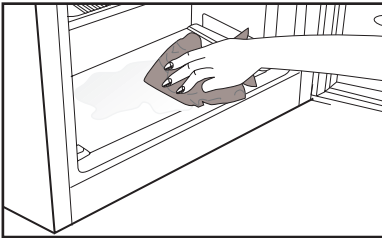
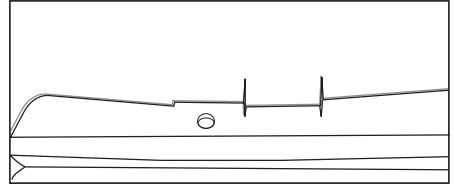
Lagern Sie hochprozentigen Alkohol nur aufrecht stehend und fest verschlossen in einem geeigneten Behälter.

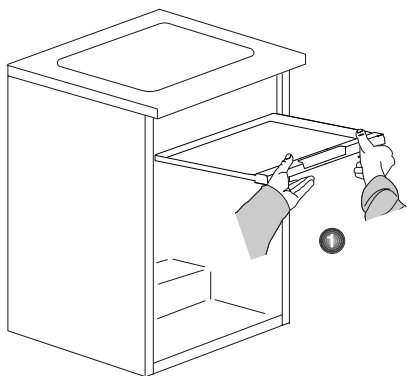
• **Achtung**

Lagern Sie keine explosiven Substanzen oder Behälter mit brennbaren Treibgasen (Sprühsahne, Sprühdosen, usw.) im Kühlgerät.

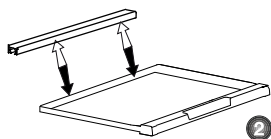
Es besteht Explosionsgefahr.

Der gezeigte dicht geneigte Ablauf ist Teil des Designs, er hat keine Auswirkungen auf das Kühlsystem.





Die Verdunstungsschalenklappe sollte wie nachstehend eingestellt werden, damit je nach Umgebungstemperatur die gewünschte Innentemperatur erreicht wird; Winterbetrieb bei niedrigen Umgebungstemperaturen, Sommerbetrieb in sehr warmer Umgebung.

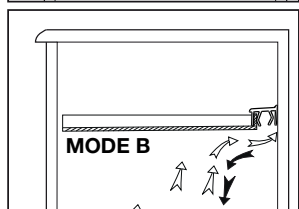
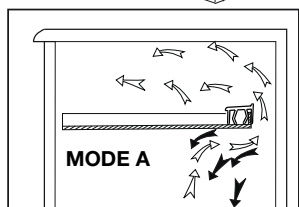
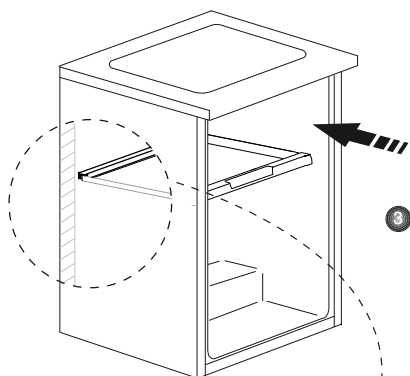


Sommerbetrieb

(Wenn eine niedrigere Innentemperatur benötigt wird.)

Winterbetrieb

(Wenn eine höhere Innentemperatur erforderlich ist.)



6 **Wartung und Reinigung**

- ⚠ Verwenden Sie zu Reinigungszwecken niemals Benzin oder ähnliche Substanzen.
- ⚠ Wir empfehlen, vor dem Reinigen den Netzstecker zu ziehen.
- ℹ Verwenden Sie zur Reinigung niemals scharfe Gegenstände, Seife, Haushaltsreiniger, Waschmittel oder Wachspolituren.
- ℹ Bei nicht eisfreien Geräten bilden sich Wassertropfen an der Rückwand des Kühlfaches, die zu einer fingerdicken Eisschicht gefrieren können. Nicht beseitigen, nicht reinigen, niemals Öl oder andere Mittel auftragen.
- ℹ Reinigen Sie die Außenflächen des Gerätes nur mit einem leicht angefeuchteten Mikrofasertuch. Schwämme und andere Reinigungshilfen können die Oberfläche verkratzen.
- ℹ Reinigen Sie das Gehäuse des Gerätes mit lauwarmem Wasser, wischen Sie die Flächen danach trocken.
- ⚠ Zur Reinigung des Innenraums verwenden Sie ein feuchtes Tuch, das Sie in eine Lösung aus 1 Teelöffel Natron und einem halben Liter Wasser getaucht und ausgewrungen haben. Nach dem Reinigen wischen Sie den Innenraum trocken.
- ⚠ Achten Sie darauf, dass kein Wasser in das Lampengehäuse oder andere elektrische Komponenten eindringt.
- ⚠ Wenn Ihr Kühlgerät längere Zeit nicht benutzt wird, ziehen Sie den Netzstecker, nehmen alle

Lebensmittel heraus, reinigen das Gerät und lassen die Türe geöffnet.

- ℹ Kontrollieren Sie die Türdichtungen regelmäßig, um sicherzustellen, dass diese sauber und frei von Speiseresten sind.
- ℹ Zum Entfernen einer Türablage räumen Sie sämtliche Gegenständen aus der Ablage und schieben diese dann nach oben heraus.
- ℹ Verwenden Sie zur Reinigung der Außenflächen und Chrombeschichteten Produktteile niemals Reinigungsmittel oder Wasser, die/das Chlor enthält. Chlor lässt Metalloberflächen korrodieren.
- ℹ Verwenden Sie keine spitzen oder scheuernde Gegenstände, Seifen, Reinigungsmittel bzw. Chemikalien, sowie auch kein Benzin, keine Benzole bzw. Wachse usw. Andernfalls werden die Einprägungen auf den Plasteteilen möglicherweise beschädigt oder deformiert. Verwenden Sie warmes Wasser und einen weichen Lappen zum anschließenden Trockenreiben.

Schutz der Kunststoffflächen

- ℹ Geben Sie keine Öle oder stark fetthaltige Speisen offen in Ihren Kühlschrank / Gefrierschrank – dadurch können die Kunststoffflächen angegriffen werden. Sollten die Plastikoberflächen einmal mit Öl in Berührung kommen, so reinigen Sie die entsprechenden Stellen umgehend mit warmem Wasser.

7 Empfehlungen zur Problemlösung

Bitte arbeiten Sie diese Liste durch, bevor Sie den Kundendienst anrufen. Das kann Ihnen Zeit und Geld sparen. In der Liste finden Sie häufiger auftretende Probleme, die nicht auf Verarbeitungs- oder Materialfehler zurückzuführen sind. Nicht alle hier beschriebenen Funktionen sind bei jedem Modell verfügbar.

Der Kühlschrank / Gefrierschrank arbeitet nicht.

- Ist der Kühlschrank / Gefrierschrank richtig angeschlossen? Stecken Sie den Netzstecker in die Steckdose.
- Ist die entsprechende Haussicherung herausgesprungen oder durchgebrannt? Überprüfen Sie die Sicherung.

Kondensation an den Seitenwänden des Kühlbereiches. (Multizone, Kühlkontrolle und FlexiZone)

- Sehr geringe Umgebungstemperaturen. Häufiges Öffnen und Schließen der Tür. Sehr feuchte Umgebung. Offene Lagerung von feuchten Lebensmitteln. Tür nicht richtig geschlossen. Kühlere Thermostateinstellung wählen.
- Türen kürzer geöffnet halten oder seltener öffnen.
- Offene Behälter abdecken oder mit einem geeigneten Material einwickeln.
- Kondensation mit einem trockenen Tuch entfernen und überprüfen, ob diese erneut auftritt.

Der Kompressor läuft nicht

- Eine Schutzschaltung stoppt den Kompressor bei kurzzeitigen Unterbrechungen der Stromversorgung und wenn das Gerät zu oft und schnell ein- und ausgeschaltet wird, da der Druck des Kühlmittels eine Weile lang ausgeglichen werden muss. Ihr Kühlschrank / Gefrierschrank beginnt nach etwa sechs Minuten wieder zu arbeiten. Bitte wenden Sie sich an den Kundendienst, falls Ihr Kühlschrank / Gefrierschrank nach Ablauf dieser Zeit nicht wieder zu arbeiten beginnt.
- Der Kühlschrank / Gefrierschrank taut ab. Dies ist bei einem vollautomatisch abtauenden Kühlschrank / Gefrierschrank völlig normal. Das Gerät taut von Zeit zu Zeit ab.
- Der Netzstecker ist nicht eingesteckt. Überprüfen Sie, ob das Gerät richtig angeschlossen ist.
- Stimmen die Temperatureinstellungen?
- Eventuell ist der Strom ausgefallen.

Der Kühlschrank / Gefrierschrank arbeitet sehr intensiv oder über eine sehr lange Zeit.

- Ihr neues Gerät ist vielleicht etwas breiter als sein Vorgänger. Dies ist völlig normal. Große Kühlgeräte arbeiten oft längere Zeit.
- Die Umgebungstemperatur ist eventuell sehr hoch. Dies ist völlig normal.
- Das Kühlgerät wurde möglicherweise erst vor kurzem in Betrieb genommen oder mit Lebensmitteln gefüllt. Es kann einige Stunden länger dauern, bis der Kühlschrank / Gefrierschrank seine Arbeitstemperatur erreicht hat.
- Kurz zuvor wurden größere Mengen warmer Speisen im Kühlschrank / Gefrierschrank eingelagert. Heiße Speisen führen dazu, dass der Kühlschrank / Gefrierschrank etwas länger arbeiten muss, bis die geeignete Temperatur zur sicheren Lagerung erreicht ist.
- Türen wurden häufig geöffnet oder längere Zeit nicht richtig geschlossen. Der Kühlschrank / Gefrierschrank muss länger arbeiten, weil warme Luft in den Innenraum eingedrungen ist. Öffnen Sie die Türen möglichst selten.
- Die Tür des Kühl- oder Tiefkühlbereichs war nur angelehnt. Vergewissern Sie sich, dass die Türen richtig geschlossen wurden.
- Die Kühlschrank / Gefrierschranktemperatur ist sehr niedrig eingestellt. Stellen Sie die Kühlschrank / Gefrierschranktemperatur höher ein und warten Sie, bis die gewünschte Temperatur erreicht ist.
- Die Türdichtungen von Kühl- oder Gefrierbereich sind verschmutzt, verschlissen, beschädigt oder sitzen nicht richtig. Reinigen oder ersetzen Sie die Dichtung. Beschädigte oder defekte Dichtungen führen dazu, dass der Kühlschrank / Gefrierschrank länger arbeiten muss, um die Temperatur halten zu können.

Die Temperatur im Tiefkühlbereich ist sehr niedrig, während die Temperatur im Kühlbereich normal ist.

- Die Tiefkühltemperatur ist sehr niedrig eingestellt. Stellen Sie die Gefrierfachtemperatur wärmer ein und prüfen Sie.

Die Temperatur im Kühlbereich ist sehr niedrig, während die Temperatur im Tiefkühlbereich normal ist.

- Die Kühltemperatur ist eventuell sehr niedrig eingestellt. Stellen Sie die Kühlbereichtemperatur wärmer ein und prüfen Sie.

Im Kühlbereich gelagerte Lebensmittel frieren ein.

- Die Kühltemperatur ist eventuell sehr niedrig eingestellt. Stellen Sie die Kühlbereichtemperatur wärmer ein und prüfen Sie.

Die Temperatur im Kühl- oder Tiefkühlbereich ist sehr hoch.

- Die Temperatur des Kühlbereichs ist eventuell sehr hoch eingestellt. Die Einstellung des Kühlbereichs beeinflusst die Temperatur im Tiefkühlbereich. Stellen Sie den Kühl- oder Tiefkühlbereich auf die gewünschte Temperatur ein.
- Türen wurden häufig geöffnet oder längere Zeit nicht richtig geschlossen; weniger häufig öffnen.
- Die Tür wurde eventuell nicht richtig geschlossen; Tür richtig schließen.
- Kurz zuvor wurden größere Mengen warmer Speisen im Kühlschrank / Gefrierschrank eingelagert. Warten Sie, bis der Kühl- oder Tiefkühlbereich die gewünschte Temperatur erreicht.
- Der Kühlschrank / Gefrierschrank war kurz zuvor von der Stromversorgung getrennt. Ihr Kühlschrank / Gefrierschrank braucht einige Zeit, um sich auf die gewünschte Temperatur abzukühlen.

Das Betriebsgeräusch nimmt zu, wenn der Kühlschrank / Gefrierschrank arbeitet.

- Das Leistungsverhalten des Kühlgerätes kann sich je nach Umgebungstemperatur ändern. Dies ist völlig normal und keine Fehlfunktion.

Vibrationen oder Betriebsgeräusche.

- Der Boden ist nicht eben oder nicht fest. Der Kühlschrank / Gefrierschrank wackelt, wenn er etwas bewegt wird. Achten Sie darauf, dass der Boden eben ist und das Gewicht des Kühlschrank / Gefrierschranks problemlos tragen kann.
- Das Geräusch kann durch auf dem Kühlschrank / Gefrierschrank abgestellte Gegenstände entstehen. Nehmen Sie abgestellte Gegenstände vom Kühlschrank / Gefrierschrank herunter.

Fließ- oder Spritzgeräusche sind zu hören.

- Aus technischen Gründen bewegen sich Flüssigkeiten und Gase innerhalb des Gerätes. Dies ist völlig normal und keine Fehlfunktion.

Windähnliche Geräusche sind zu hören.

- Zum gleichmäßigen Kühlen werden Ventilatoren eingesetzt. Dies ist völlig normal und keine Fehlfunktion.

Kondensation an den Kühlschrank / Gefrierschrankinnenflächen.

- Bei heißen und feuchten Wetterlagen tritt verstärkt Eisbildung und Kondensation auf. Dies ist völlig normal und keine Fehlfunktion.
- Die Türen wurden eventuell nicht richtig geschlossen; Türen komplett schließen.
- Türen wurden häufig geöffnet oder längere Zeit nicht richtig geschlossen; weniger häufig öffnen.

Feuchtigkeit sammelt sich an der Außenseite des Kühlschrank / Gefrierschranks oder an den Türen.

- Eventuell herrscht hohe Luftfeuchtigkeit; dies ist je nach Wetterlage völlig normal. Die Kondensation verschwindet, sobald die Feuchtigkeit abnimmt.

Unangenehmer Geruch im Kühlschrank / Gefrierschrankinnenraum.

- Das Innere des Kühlschrank / Gefrierschranks muss gereinigt werden. Reinigen Sie das Innere des Kühlschrank / Gefrierschranks mit einem Schwamm, den Sie mit lauwarmem oder kohlenensäurehaltigem Wasser angefeuchtet haben.
- Bestimmte Behälter oder Verpackungsmaterialien verursachen den Geruch. Verwenden Sie andere Behälter oder Verpackungsmaterial einer anderen Marke.

Die Tür wurde nicht richtig geschlossen.

- Lebensmittelpackungen verhindern eventuell das Schließen der Tür. Entfernen Sie die Verpackungen, welche die Tür blockieren.
- Der Kühlschrank / Gefrierschrank steht nicht mit sämtlichen Füßen fest auf dem Boden und schaukelt bei kleinen Bewegungen. Stellen Sie die Höheneinstellschrauben ein.
- Der Boden ist nicht eben oder nicht stabil genug. Achten Sie darauf, dass der Boden eben ist und das Gewicht des Kühlschrank / Gefrierschranks problemlos tragen kann.

Das Gemüsefach klemmt.

- Die Lebensmittel berühren eventuell den oberen Teil der Schublade. Ordnen Sie die Lebensmittel in der Schublade anders an.

Veillez d'abord lire la notice d'utilisation !

Chère cliente, cher client,

Nous espérons que votre produit, qui a été fabriqué dans des usines modernes et vérifié au terme des procédures de contrôle de qualité les plus méticuleuses, vous aidera efficacement.

Pour cette raison, nous vous conseillons de lire attentivement tout le manuel d'utilisation de votre produit avant de vous en servir, et de le conserver ensuite pour une utilisation ultérieure.

Le présent manuel

- Vous aidera à utiliser votre produit avec rapidité et sécurité.
 - Lisez le manuel avant d'installer et de faire fonctionner votre produit.
 - Respectez les instructions, notamment celles relatives à la sécurité.
 - Conservez ce manuel dans un endroit facilement accessible car vous pouvez en avoir besoin ultérieurement.
 - En plus, lisez également les autres documents fournis avec votre produit.
- Veillez noter que ce manuel peut également être valide pour d'autres modèles.

Symboles et descriptions

Vous retrouverez les symboles suivants dans le présent manuel :




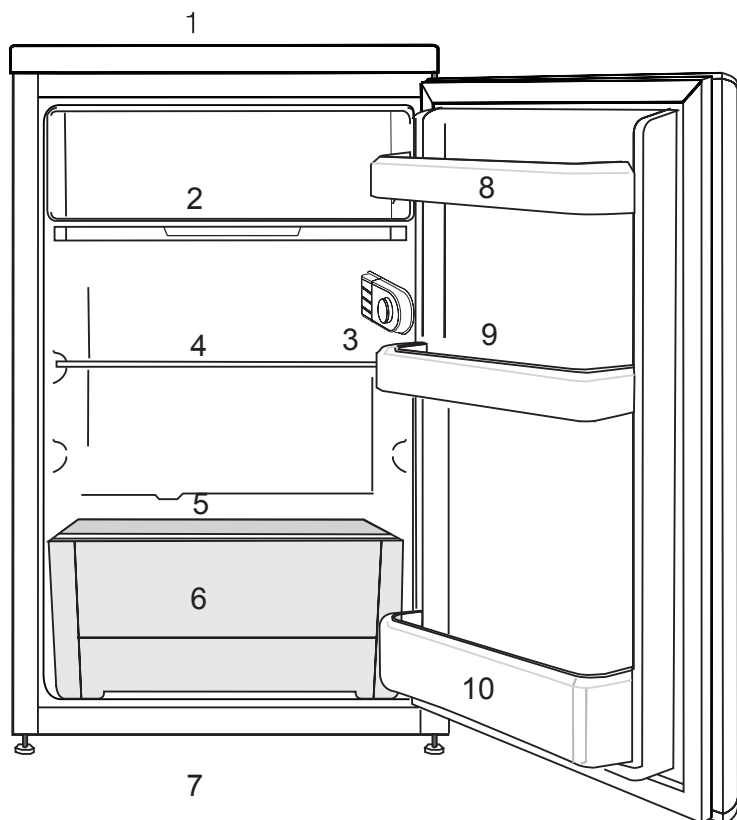
-  Informations importantes ou astuces.
-  Avertissement relatif aux conditions dangereuses pour la vie et la propriété.
-  Avertissement relatif à la tension électrique.

TABLE DES MATIÈRES

1 Votre congélateur/ réfrigérateur	4	4 Préparation	16
2 Précautions de sécurité importantes	5	5 Utilisation du congélateur/ réfrigérateur	17
Sécurité générale.....	6	Dégivrage de l'appareil.....	18
Pour les appareils dotés d'une fontaine à eau.....	9	Réfrigération.....	18
Sécurité enfants.....	9	Conservation des denrées.....	18
Conformité avec la réglementation DEEE et mise au rebut des déchets...	9	6 Entretien et nettoyage	20
Informations relatives à l'emballage	10	Protection des surfaces en plastique.	21
Avertissement HC.....	10	7 Dépannage	22
Mesures d'économie d'énergie	10		
3 Installation	12		
Éléments à prendre en considération lors du déplacement de votre réfrigérateur.....	12		
Avant de mettre votre réfrigérateur en marche.....	12		
Branchement électrique	13		
Mise au rebut de l'emballage	13		
Mise au rebut de votre ancien réfrigérateur.....	13		
Disposition et Installation.....	14		
Réglage des pieds.....	14		
Remplacement de l'ampoule	14		
Réversibilité des portes.....	15		

1 Votre congélateur/réfrigérateur



- | | |
|---|-------------------------------|
| 1. Bandeau supérieur | 6. Bac à légumes |
| 2. Bac d'évacuation | 7. Pieds avant réglables |
| 3. Éclairage intérieur & commande du thermostat | 8. Balconnets de porte |
| 4. Clayettes modulables | 9. Casier à œufs |
| 5. Couverture du bac à légumes | 10. Clayette range-bouteilles |

ⓘ Les illustrations présentées dans cette notice d'utilisation sont schématiques et peuvent ne pas correspondre exactement à votre produit. Si des pièces présentées ne sont pas comprises dans le produit que vous avez acheté, elles sont valables pour d'autres modèles.

2 Précautions de sécurité importantes

Veillez examiner les informations suivantes :

Cet appareil peut être utilisé par des enfants âgés d'au moins 8 ans et par des personnes ayant des capacités physiques, sensorielles ou mentales réduites ou dénuées d'expérience ou de connaissance, s'ils (si elles) sont correctement surveillé(e)s ou si des instructions relatives à l'utilisation de l'appareil en toute sécurité leur ont été données et si les risques encourus ont été appréhendés. Les enfants ne doivent pas jouer avec l'appareil. Le nettoyage et l'entretien par l'utilisateur ne doivent pas être effectués par des enfants sans surveillance.

Le non-respect de ces consignes peut entraîner des blessures ou dommages matériels. Sinon, tout engagement lié à la garantie et à la fiabilité du produit devient invalide.

Les pièces détachées d'origine sont disponibles pendant 10 ans, à compter de la date d'achat du produit.

⚠	<p>REMARQUE : Assurez-vous que les trous d'aération ne sont pas fermés quand le dispositif est dans son boîtier ou est installé à sa place.</p>
---	--

⚠	<p>REMARQUE: Ne pas utiliser tout dispositif mécanique ou un autre dispositif hors des recommandations du fabricant pour accélérer le processus de décongeler.</p>
⚠	<p>REMARQUE: Ne pas endommager le circuit de fluide du réfrigérateur.</p>
⚠	<p>REMARQUE: Ne pas utiliser des appareils électriques non prévus par le fabricant dans les compartiments de conservation des aliments.</p>
⚠	<p>AVERTISSEMENT: Ne conservez pas de substances explosives comme des aérosols avec un liquide inflammable dans cet appareil.</p>

Ce dispositif est conçu pour l'usage domestique ou les applications similaires suivantes :

- Pour être utilisé dans la cuisine de personnel dans les magasins, bureaux et autres environnements de travail ;
- Pour être utilisé par les clients dans les maisons de campagne et hôtels et les autres environnements d'hébergement ;
- Dans des environnements de type de pension de famille

- Dans des applications similaires n'ayant pas de service alimentaire et non détaillants

Sécurité générale

- Si le cordon d'alimentation est endommagé, celui-ci doit être remplacé par le fabricant, ses agents agréés ou tout autre agent qualifié afin d'être à l'abri de tout danger.
- Avant de vous débarrasser de votre appareil, veuillez consulter les autorités locales ou votre revendeur pour connaître le mode opératoire et les organismes de collecte agréés.
- Consultez le service après-vente agréé concernant toutes questions ou problèmes relatifs au réfrigérateur. N'intervenez pas ou ne laissez personne intervenir sur le réfrigérateur sans le communiquer au service après-vente agréé.
- Pour les produits équipés d'un compartiment congélateur : ne mangez pas de cônes de crème glacée ou des glaçons immédiatement après les avoir sortis du compartiment de congélation ! (Cela pourrait provoquer des engelures).
- Pour les produits équipés d'un compartiment congélateur : ne placez pas de boissons en bouteille ou en cannette dans le compartiment de congélation. Cela peut entraîner leur éclatement.

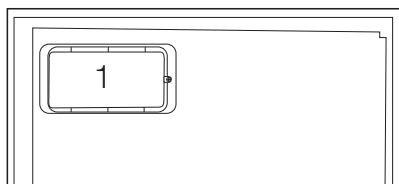
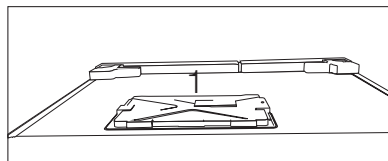
- Ne touchez pas des produits congelés avec les mains, ils pourraient se coller à celles-ci.
- Débranchez votre réfrigérateur avant de le nettoyer ou de le dégivrer.
- La vapeur et des matériaux de nettoyage pulvérisés ne doivent jamais être utilisés pour les processus de nettoyage ou de dégivrage de votre réfrigérateur. La vapeur pourrait pénétrer dans les pièces électriques et provoquer des courts-circuits ou des électrocutions.
- Ne jamais utiliser les pièces de votre réfrigérateur telles que la porte, comme un support ou une marche.
- N'utilisez pas d'appareils électriques à l'intérieur du réfrigérateur.
- N'endommagez pas les pièces où circule le liquide réfrigérant avec des outils de forage ou coupants. Le liquide réfrigérant qui pourrait s'échapper si les canalisations de gaz de l'évaporateur, les rallonges de tuyau ou les revêtements de surface étaient percés, cela pourrait irriter la peau et provoquer des blessures aux yeux.
- Ne pas couvrir ou obstruer les orifices de ventilation du réfrigérateur.
- Les appareils électriques peuvent être réparés seulement par des personnes autorisées. Les réparations

- réalisées par des personnes ne présentant pas les compétences requises peuvent présenter un risque pour l'utilisateur.
- En cas de dysfonctionnement ou lors d'opérations d'entretien ou de réparation, débranchez l'alimentation électrique du réfrigérateur soit en désactivant le fusible correspondant, soit en débranchant l'appareil.
 - Assurez-vous que les boissons comportant un taux d'alcool très élevé sont conservées en sécurité avec leur couvercle fixé et placées en position verticale.
 - Placez les boissons alcoolisées verticalement, dans des récipients convenablement fermés.
 - Ne conservez jamais des aérosols contenant des substances inflammables et explosives dans le réfrigérateur.
 - N'utilisez pas d'outils mécaniques ou autres dispositifs pour accélérer le processus de décongélation autres que ceux qui sont recommandés par le fabricant.
 - Ce produit n'est pas conçu pour être utilisé par des personnes (enfants compris) souffrant de déficience physique, sensorielle, mentale, ou inexpérimentées, à moins d'avoir obtenu une autorisation auprès des personnes responsables de leur sécurité.
 - Ne faites pas fonctionner un réfrigérateur endommagé. Consultez le service agréé en cas de problème.
 - La sécurité électrique du réfrigérateur n'est assurée que si le système de mise à la terre de votre domicile est conforme aux normes en vigueur.
 - L'exposition du produit à la pluie, la neige, au soleil ou au vent présente des risques concernant la sécurité électrique.
 - Contactez le service agréé quand un câble d'alimentation est endommagé pour éviter tout danger.
 - Ne branchez jamais le réfrigérateur à la prise murale au cours de l'installation. Vous vous exposeriez à un risque de mort ou à de blessures graves.
 - Ce réfrigérateur est conçu seulement pour conserver des aliments. Par conséquent, il ne doit pas être utilisé à d'autres fins.
 - L'étiquette avec les caractéristiques techniques est située sur la paroi gauche à l'intérieur du réfrigérateur.
 - Ne branchez jamais votre réfrigérateur à des systèmes d'économie d'énergie, cela peut l'endommager.
 - S'il y a une lumière bleue sur le réfrigérateur, ne la regardez ni avec vos yeux nus, ni avec des outils optiques pendant longtemps.

- Pour les réfrigérateurs contrôlés manuellement, attendez au moins 5 minutes pour allumer le réfrigérateur après une coupure de courant.
- Si cet appareil venait à changer de propriétaire, n'oubliez pas de remettre la présente notice d'utilisation au nouveau bénéficiaire.
- Évitez d'endommager le câble d'alimentation quand vous transportez le réfrigérateur. Tordre le câble peut entraîner un incendie. Ne placez jamais d'objets lourds sur le câble d'alimentation.
- Évitez de toucher à la prise avec des mains mouillées au moment de brancher l'appareil.
- Évitez de brancher le réfrigérateur lorsque la prise de courant électrique a lâché.
- Pour des raisons de sécurité, évitez de pulvériser directement de l'eau sur les parties externes et internes du réfrigérateur.
- Ne pulvérisez pas de substances contenant des gaz inflammables comme du propane près du réfrigérateur pour éviter tout risque d'incendie et d'explosion.
- Ne placez jamais de récipients contenant de l'eau sur votre réfrigérateur, ils pourraient causer des chocs électriques ou un incendie.
- Évitez de surcharger le réfrigérateur avec une quantité excessive d'aliments. S'il est surchargé, les aliments peuvent tomber, vous blesser et endommager le réfrigérateur quand vous ouvrez la porte.
- Ne placez jamais d'objets au-dessus du réfrigérateur, ils pourraient tomber quand vous ouvrez ou fermez la porte du réfrigérateur.
- Les produits qui nécessitent un contrôle de température précis (vaccin, médicament sensible à la chaleur, matériels scientifiques, etc.) ne doivent pas être conservés dans le réfrigérateur.
- Si le réfrigérateur n'est pas utilisé pendant longtemps, il doit être débranché. Un problème avec le câble d'alimentation pourrait causer un incendie.
- Le réfrigérateur peut bouger si ses pieds réglables ne sont pas bien fixés sur le sol. Bien fixer les pieds réglables sur le sol peut empêcher le réfrigérateur de bouger.
- Quand vous transportez le réfrigérateur, ne le tenez pas par la poignée de la porte. Cela peut le casser.
- Quand vous devez placer votre produit près d'un autre réfrigérateur ou congélateur, la distance entre les appareils doit être d'au moins 8 cm.

Sinon, les murs adjacents peuvent être humidifiés.

- Ne jamais utiliser le produit si la section située dans sa partie supérieure ou inférieure avec cartes de circuits imprimés électroniques à l'intérieur est ouverte (couvercle de cartes de circuits imprimés électroniques) (1).



Pour les appareils dotés d'une fontaine à eau

- La pression de l'eau froide à l'entrée ne doit pas excéder 90 psi (620 kPa). Si votre pression d'eau dépasse 80 psi (550 kPa), utilisez une soupape de limitation de pression sur votre réseau de conduite. Si vous ne savez pas comment vérifiez la pression de l'eau, demandez l'assistance d'un plombier professionnel.
- S'il existe un risque d'effet coup de bélier sur votre installation, utilisez systématiquement un équipement de protection contre l'effet coup de bélier sur celle-ci. Consultez des plombiers professionnels

si vous n'êtes pas sûr de la présence de cet effet sur votre installation.

- Ne l'installez pas sur l'entrée d'eau chaude. Prenez des précautions contre le risque de congélation des tuyaux. L'intervalle de fonctionnement de la température des eaux doit être de 33 F (0,6°C) au moins et de 100 F (38 C) au plus.
- Utilisez uniquement de l'eau potable.

Sécurité enfants

- Si la porte a un verrouillage, la clé doit rester hors de portée des enfants.
- Les enfants doivent être surveillés et empêchés de s'amuser avec le produit.

Conformité avec la réglementation DEEE et mise au rebut des déchets

Ce produit ne contient pas de matériaux dangereux et interdits décrits dans la « Règlementation sur le contrôle des déchets d'équipements électriques et électroniques » publié par le Ministère de l'Environnement et de l'Urbanisme. Conforme avec la réglementation DEEE.



Le présent produit a été fabriqué avec des pièces et du matériel de qualité supérieure susceptibles d'être réutilisés et adaptés au recyclage. Par conséquent, nous vous conseillons de ne pas le mettre au

rebut aux côtés des ordures ménagères à la fin de sa durée de vie. Au contraire, rendez-vous dans un point de collecte pour le recyclage de tout matériel électrique et électronique. Veuillez vous rapprocher des autorités de votre localité pour plus d'informations concernant le point de collecte le plus proche. Aidez-nous à protéger l'environnement et les ressources naturelles en recyclant les produits usagés. Pour la sécurité des enfants, coupez le câble d'alimentation et le mécanisme de verrouillage de la porte, le cas échéant. Ce faisant, vous rendez l'appareil inopérant avant sa mise au rebut.

Informations relatives à l'emballage

Les matériaux d'emballage de cet appareil sont fabriqués à partir de matériaux recyclables, conformément à nos Réglementations Nationales en Environnement. Ne mélangez pas les matériaux d'emballage avec les déchets domestiques ou d'autres déchets. Amenez-les aux points de collecte des matériaux d'emballage, désignés par les autorités locales.

N'oubliez pas...

Pour la préservation de la nature et de notre santé, il est indispensable de recycler les matières.

Si vous voulez contribuer au recyclage des matériaux d'emballage, vous pouvez vous renseigner auprès d'organisations environnementales ou de l'autorité locale proche de votre domicile.

Avertissement HC

Si le système de refroidissement de votre appareil contient R600a :

Ce gaz est inflammable. Par conséquent, veuillez prendre garde à ne pas endommager le système de refroidissement et les tuyauteries lors de son utilisation ou de son transport. En cas de dommages, éloignez votre produit de toute source potentielle de flammes susceptible de provoquer l'incendie de l'appareil. De même, placez le produit dans une pièce aérée.

Ne tenez pas compte de cet avertissement si le système de refroidissement de votre appareil contient R134a.

Le type de gaz utilisé dans l'appareil est mentionné sur la plaque signalétique située sur la paroi gauche de l'intérieur du réfrigérateur.

Ne jetez jamais l'appareil au feu pour vous en débarrasser.

Mesures d'économie d'énergie

- Ne laissez pas les portes du réfrigérateur ouvertes pendant une durée prolongée.
- N'introduisez pas de denrées ou de boissons chaudes dans le réfrigérateur.
- Ne surchargez pas le réfrigérateur pour ne pas obstruer pas la circulation d'air à l'intérieur.
- N'installez pas le réfrigérateur à la lumière directe du soleil ou près d'appareil émettant de la chaleur tels qu'un four, un lave-vaisselle ou un radiateur. Maintenez une distance d'au moins 30 cm entre votre réfrigérateur et toute source de chaleur, et à une distance de 5cm d'un four électrique.

- Veillez à conserver vos denrées dans des récipients fermés.
- Pour les produits équipés d'un compartiment congélateur : vous pouvez conserver une quantité maximale d'aliments dans le congélateur quand vous enlevez l'étagère ou le tiroir du congélateur. La consommation d'énergie précisée pour votre réfrigérateur a été déterminée en enlevant l'étagère ou le tiroir du congélateur et avec la charge maximale. Il n'y a aucun risque à utiliser une étagère ou un tiroir en fonction des formes et tailles des denrées à congeler.
- La décongélation des aliments dans le compartiment réfrigérateur permet de faire des économies d'énergie et de préserver la qualité des aliments.

3 Installation

⚠ **AVERTISSEMENT:**

Dans l'hypothèse ou l'information contenue dans ce manuel n'a pas été prise en compte par l'utilisateur, le fabricant ne sera aucunement responsable en cas de problèmes.

Éléments à prendre en considération lors du déplacement de votre réfrigérateur

1. Votre réfrigérateur doit être débranché. Avant le transport de votre réfrigérateur, vous devez le vider et le nettoyer. Avant d'emballer votre réfrigérateur, vous devez fixer ses étagères, bac, accessoires, etc, avec du ruban adhésif afin de les protéger contre les chocs.
1. L'emballage doit être solidement attaché avec du ruban adhésif épais ou avec un cordage solide. La réglementation en matière de transport et de marquage de l'emballage doit être strictement respectée.
2. L'emballage et les matériaux de protection d'emballage doivent être conservés pour les éventuels transports ou déplacements à venir.

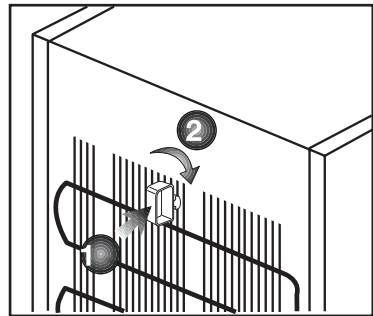
Avant de mettre votre réfrigérateur en marche

Vérifiez les points suivants avant de commencer à utiliser votre réfrigérateur

1. Fixez les câles en plastique tel qu'indiqué sur le schéma ci-dessous. Les câles en plastique servent à maintenir une distance permettant

la circulation de l'air entre le réfrigérateur et le mur. (Cette image n'est donnée qu'à titre indicatif ; elle n'est pas identique à votre produit.)

2. Vous pouvez installer les 2 cales en plastique comme illustré dans le schéma. Les cales en plastique maintiendront la distance nécessaire entre votre Congélateur / réfrigérateur et le mur pour permettre une bonne circulation de l'air. (Le schéma présenté est fourni à titre indicatif et peut ne pas correspondre exactement avec votre produit.)



3. Nettoyez l'intérieur du réfrigérateur tel qu'indiqué dans la section « Entretien et nettoyage ».
4. Insérez la prise du réfrigérateur dans la prise murale. Lorsque la porte du réfrigérateur est ouverte, la lampe interne du réfrigérateur s'éclaire.
5. Lorsque le compresseur commence à fonctionner, il émettra un son. Le liquide et les gaz intégrés au système du réfrigérateur peuvent également faire du bruit, que le compresseur soit en marche ou non. Ceci est tout à fait normal.

6. Les parties antérieures du réfrigérateur peuvent chauffer. Ce phénomène est normal. Ces zones doivent en principe être chaudes pour éviter tout risque de condensation.

Branchement électrique

Branchez votre réfrigérateur à une prise électrique protégée par un fusible ayant une capacité appropriée. Important :

- Le branchement doit être conforme aux normes en vigueur sur le territoire national.
- La fiche du câble d'alimentation doit être facilement accessible après installation.
- La sécurité électrique du réfrigérateur n'est assurée que si le système de mise à la terre de votre domicile est conforme aux normes en vigueur.
- La tension indiquée sur l'étiquette située sur la paroi gauche interne de votre produit doit correspondre à celle fournie par votre réseau électrique.
- **Les rallonges et prises multivoies ne doivent pas être utilisés pour brancher l'appareil.**

AVERTISSEMENT:

Un câble d'alimentation endommagé doit être remplacé par un électricien qualifié.

AVERTISSEMENT:

L'appareil ne doit pas être mis en service avant d'être réparé! Cette précaution permet d'éviter tout risque de choc électrique!

Mise au rebut de l'emballage

Les matériaux d'emballage peuvent être dangereux pour les enfants. Tenez les matériaux d'emballage hors de portée des enfants ou jetez-les conformément aux consignes établies par les autorités locales en matière de déchets. Ne les jetez pas avec les déchets domestiques, déposez-les dans les centres de collecte désignés par les autorités locales.

L'emballage de votre appareil est produit à partir de matériaux recyclables.

Mise au rebut de votre ancien réfrigérateur

Débarrassez-vous de votre ancien réfrigérateur sans nuire à l'environnement.

- Vous pouvez consulter le service après-vente agréé ou le centre chargé de la mise au rebut dans votre municipalité pour en savoir plus sur la mise au rebut de votre produit.

Avant de procéder à la mise au rebut de votre machine, coupez la prise électrique et, le cas échéant, tout verrouillage susceptible de se trouver sur la porte. Rendez-les inopérants afin de ne pas exposer les enfants à d'éventuels dangers.

Disposition et Installation

⚠ AVERTISSEMENT:

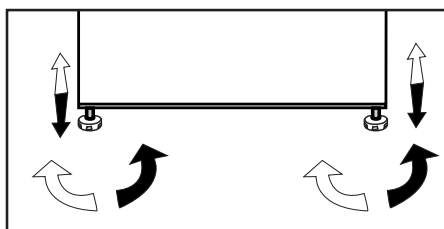
Si la porte d'entrée de la pièce où sera installé le réfrigérateur n'est pas assez large pour laisser passer le réfrigérateur, appelez le service après-vente qui retirera les portes du réfrigérateur et le fera entrer latéralement dans la pièce.

1. Installez le réfrigérateur dans un emplacement qui permette une utilisation pratique.
2. Maintenez le réfrigérateur éloigné de toutes sources de chaleur, des endroits humides et de la lumière directe du soleil.
3. Une ventilation d'air autour du réfrigérateur doit être aménagée pour obtenir un fonctionnement efficace. Si le réfrigérateur est placé dans un enfoncement du mur, il doit y avoir un espace d'au moins 5 cm avec le plafond et d'au moins 5 cm avec le mur. Ne placez pas l'appareil sur des revêtements tels qu'un tapis ou de la moquette.
4. Placez le réfrigérateur sur une surface plane afin d'éviter les à-coups.

Réglage des pieds

Si le réfrigérateur n'est pas stable.

Vous pouvez équilibrer le réfrigérateur en tournant les pieds avant, tel qu'illustré sur le schéma. Le côté où se trouve le pied s'abaisse lorsque vous tournez dans le sens de la flèche noire, et s'élève lorsque vous tournez dans le sens opposé. Si vous vous faites aider par quelqu'un pour légèrement soulever le réfrigérateur, l'opération s'en trouvera simplifiée.



Remplacement de l'ampoule

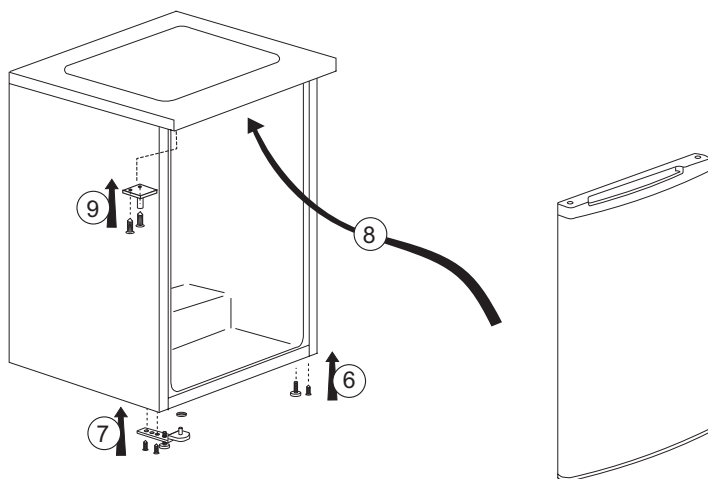
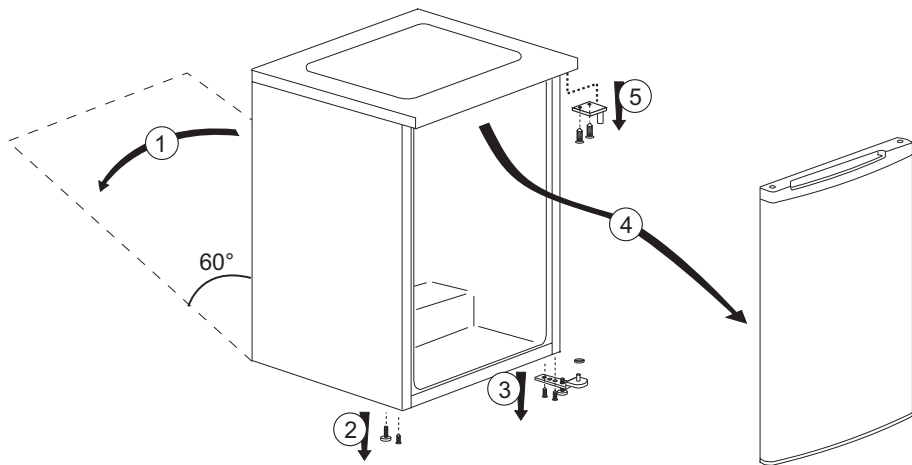
Pour remplacer la lampe LED du réfrigérateur, veuillez contacter le service après-vente agréé.

Les ampoules de cet appareil d'électroménager ne sont pas adaptées à une utilisation d'éclairage. L'utilisation recherchée de cette lampe est de permettre à l'utilisateur de placer confortablement et en sécurité les aliments dans le réfrigérateur / coffre.

Les voyants utilisés dans cet appareil doivent résister aux conditions physiques extrêmes telles que des températures inférieures à -20 °C.

Réversibilité des portes

Procédez dans l'ordre numérique



4 Préparation

- Votre congélateur / réfrigérateur doit être installé à au moins 30 cm des sources de chaleur telles que les plaques de cuisson, les fours, appareils de chauffage ou cuisinières, et à au moins 5 cm des fours électriques. De même, il ne doit pas être exposé à la lumière directe du soleil.

- Veuillez vous assurer que l'intérieur de votre appareil est soigneusement nettoyé.

- La température ambiante de la pièce où vous installez le congélateur / réfrigérateur doit être d'au moins 5°C. Faire fonctionner l'appareil sous des températures inférieures n'est pas recommandé et pourrait nuire à son efficacité.

- Si deux congélateur / réfrigérateurs sont installés côte à côte, ils doivent être séparés par au moins 2 cm.

- Lorsque vous faites fonctionner le congélateur / réfrigérateur pour la première fois, assurez-vous de suivre les instructions suivantes pendant les six premières heures.

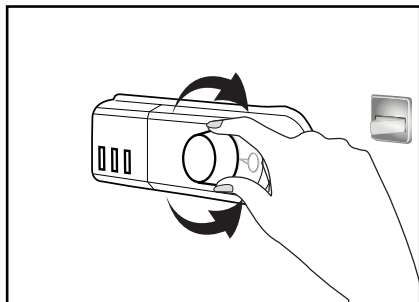
- La porte ne doit pas être ouverte fréquemment.

- Le congélateur / réfrigérateur doit fonctionner à vide, sans denrées à l'intérieur.

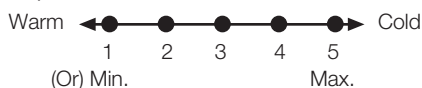
- Ne débranchez pas le congélateur / réfrigérateur. Si une panne de courant se produit, veuillez vous reporter aux avertissements dans la section « Solutions recommandées aux problèmes ».

- L'emballage et les matériaux de protection d'emballage doivent être conservés pour les éventuels transports ou déplacements à venir.

5 Utilisation du congélateur/réfrigérateur



La température de fonctionnement est réglée à l'aide de la commande de température.



1 = Réglage de réfrigération le plus faible (Réglage le plus chaud)

5 = Réglage de réfrigération le plus fort (Réglage le plus froid)

(Ou)

Min. = Réglage de réfrigération le plus faible

(Réglage le plus chaud)

Min. = Réglage de réfrigération le plus fort

(Réglage le plus froid)

La température médiane à l'intérieur du congélateur/réfrigérateur doit être proche de +5 °C.

Veuillez choisir le réglage en fonction de la température désirée.

Vous pouvez éteindre votre appareil en réglant la commande du thermostat sur la position "0".

Vous remarquerez qu'il y a plusieurs températures différentes dans la zone de réfrigération.

La zone la plus froide est située directement au-dessous du bac à légumes.

La température intérieure est également fonction de la température ambiante, de la fréquence d'ouverture de la porte et de la quantité de denrées stockées à l'intérieur.

À une température ambiante supérieure à 30 °C, retirez le bac d'évacuation pour une meilleure performance de refroidissement.

Si la porte est ouverte fréquemment, la température intérieure monte.

Pour cette raison, il est recommandé de refermer la porte aussitôt que possible après utilisation.

La zone la plus froide est située directement au-dessous du compartiment à glaçons.

En cas d'humidité extrême, de la condensation peut apparaître sur votre congélateur/réfrigérateur, il ne s'agit pas d'un dysfonctionnement. Vous pouvez l'essuyer avec un chiffon sec en respectant les précautions de sécurité. La présence de glace, de givre et de condensation est normale dans le compartiment à glaçons et dans le récipient d'écoulement d'eau.

Dégivrage de l'appareil

Une couche excessive de givre diminue l'efficacité de congélation de votre appareil.

Il est donc recommandé de dégivrer votre appareil au moins deux fois par an ou lorsque la couche de givre dépasse 7 mm.

Dégivrez votre appareil quand il est peu garni ou vide.

Retirez les aliments. Enveloppez les denrées dans plusieurs feuilles de papiers ou dans une couverture et conservez-les dans un endroit frais.

Débranchez l'appareil ou coupez le disjoncteur afin de procéder au dégivrage.

Retirez les accessoires (tablette, tiroir, etc.) de l'appareil et utilisez un récipient approprié pour récupérer l'eau de dégivrage.

Utilisez une éponge ou un chiffon doux pour éponger l'eau de dégivrage dans les compartiments si besoin.

Maintenez la porte ouverte pendant le dégivrage.

Pour un dégivrage accéléré, placez des récipients contenant de l'eau chaude à l'intérieur de l'appareil.

N'utilisez jamais d'appareils électriques, bombes de dégivrage ou d'objets tranchants comme des couteaux ou fourchettes pour enlever la glace.

Quand le dégivrage est fini, nettoyez l'intérieur.

Rebranchez l'appareil au réseau électrique. Placez les produits surgelés dans les tiroirs et insérez-les dans le congélateur.

Pour votre sécurité, coupez le disjoncteur et débranchez l'appareil avant de commencer le dégivrage.

Réfrigération

Conservation des denrées

Le compartiment congélateur/réfrigérateur est destiné à la conservation à court terme d'aliments frais et de boissons.

Conservez les produits laitiers dans le compartiment prévu à cet effet dans le congélateur/réfrigérateur.

Les bouteilles peuvent être stockées sur la clayette support bouteilles ou dans le balconnet range bouteilles de la porte.

La viande crue sera conservée de manière optimale dans un sac en polyéthylène dans le compartiment situé tout en bas du congélateur/réfrigérateur.

Laisser refroidir les aliments et boissons à la température ambiante avant de les introduire dans le congélateur/réfrigérateur.

• Attention

Conservez l'alcool à forte concentration dans un récipient à la verticale et bien fermé uniquement.

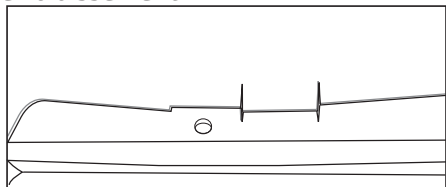
• Attention

Ne conservez pas de substances explosives ni de récipients à gaz propulseurs inflammables (crème en bombe, bombes aérosols etc.) dans l'appareil.

Un risque d'explosion existe.



Le décalage indiqué fait partie du design de l'appareil et ne saurait avoir une incidence sur le système de refroidissement.



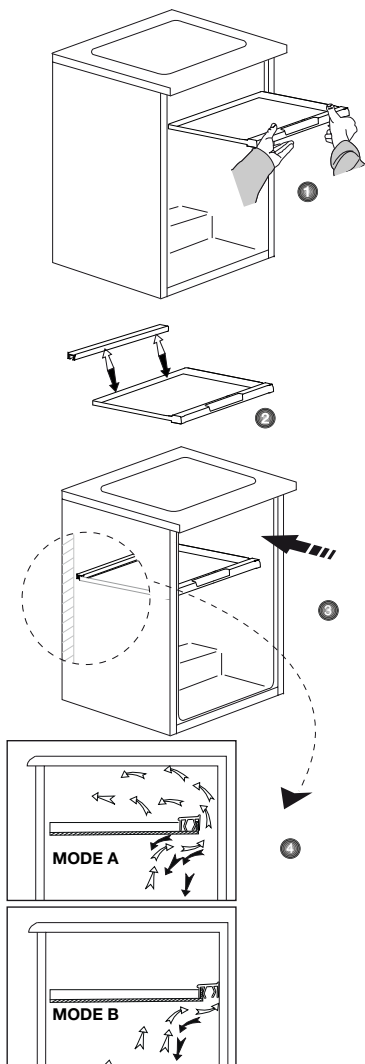
L'amortisseur des bacs d'évaporation doit être utilisé comme indiqué ci-dessous afin de maintenir la température voulue du compartiment en fonction de la température ambiante, tel que le mode hiver indiqué pour les températures froides et le mode été indiqué pour les températures chaudes.

MODE ÉTÉ (MODE A)

(Lorsqu'une température plus froide est requise pour le compartiment.)

MODE HIVER (MODE B)

(Lorsqu'une température plus chaude est requise pour le compartiment.)



6 Entretien et nettoyage

- ⚠ N'utilisez jamais d'essence, de benzène ou de matériaux similaires pour le nettoyage.
- ⚠ Nous vous recommandons de débrancher l'appareil avant de procéder au nettoyage.
- ❗ N'utilisez jamais d'ustensiles tranchants, savon, produit de nettoyage domestique, détergent et cirage pour le nettoyage.
- ❗ Pour des appareils qui ne sont pas de la marque No Frost, des gouttes d'eau et une couche de givre pouvant atteindre la largeur d'un doigt se forment sur la paroi arrière du compartiment réfrigérateur. Ne les nettoyez pas et évitez d'y utiliser de l'huile ou des produits similaires.
- ❗ Utilisez uniquement des tissus en microfibres légèrement mouillés pour nettoyer la surface externe de l'appareil. Les éponges et autres tissus de nettoyage sont susceptibles de rayer la surface.
- ❗ Utilisez de l'eau tiède pour nettoyer la carrosserie du congélateur / réfrigérateur et séchez-la soigneusement à l'aide d'un chiffon.
- ❗ Utilisez un chiffon humide imbibé d'une solution composée d'une cuillère à café de bicarbonate de soude pour un demi litre d'eau pour nettoyer l'intérieur et séchez soigneusement.
- ⚠ Prenez soin de ne pas faire couler d'eau dans le logement de la lampe et dans d'autres éléments électriques.
- ⚠ En cas de non utilisation de votre congélateur / réfrigérateur pendant une période prolongée, débranchez le câble d'alimentation, sortez toutes les denrées, nettoyez-le et laissez la porte entrouverte.
- ❗ Inspectez les joints de porte régulièrement pour vérifier qu'ils sont propres et qu'il n'y a pas de résidus de nourriture.
- ❗ Pour retirer les balconnets de portes, sortez tout son contenu puis poussez simplement le balconnet vers le haut à partir de la base.
- ❗ Ne jamais utiliser des produits nettoyants ou de l'eau contenant du chlore pour le nettoyage des surfaces externes et des pièces chromées du produit. Le chlore entraîne la corrosion de ces surfaces métalliques.
- ❗ Évitez d'utiliser des objets tranchants ou abrasifs, du savon, des produits ménagers de nettoyage, des détergents, de l'essence, du benzène, de la cire, ect. ; autrement, les marques sur les pièces en plastique pourraient s'effacer et les pièces elles-mêmes pourraient présenter des déformations. Utilisez de l'eau tiède et un torchon doux pour nettoyer et sécher.

Protection des surfaces en plastique.

- Ne placez pas d'huiles ou de plats huileux dans le congélateur / réfrigérateur dans des récipients non fermés, car les graisses peuvent endommager les surfaces en plastique du congélateur / réfrigérateur. Si vous versez ou éclaboussez de l'huile sur les surfaces en plastique, nettoyez et lavez les parties souillées avec de l'eau chaude immédiatement.

7 Dépannage

Veillez vérifier la liste suivante avant d'appeler le service après-vente. Cela peut vous faire économiser du temps et de l'argent. Cette liste regroupe les problèmes les plus fréquents ne provenant pas d'un défaut de fabrication ou d'utilisation du matériel. Il se peut que certaines des fonctions décrites ne soient pas présentes sur votre produit.

Le réfrigérateur ne fonctionne pas.

- La fiche n'est pas insérée correctement dans la prise. >>>Insérez correctement la fiche dans la prise.
- Est-ce que le fusible ou le fusible principal a sauté? >>>Vérifiez le fusible.

Condensation sur la paroi intérieure du compartiment réfrigérateur. (MULTIZONE, COOL CONTROL et FLEXI ZONE).

- La porte a été ouverte souvent. >>>Évitez d'ouvrir et de fermer trop fréquemment la porte du réfrigérateur.
- L'environnement est très humide. >>>N'installez pas votre réfrigérateur dans des endroits très humides.
- La nourriture contenant du liquide est conservée dans des récipients ouverts. >>>Ne conservez pas de la nourriture contenant du liquide dans des récipients ouverts.
- La porte du réfrigérateur est laissée entrouverte. >>>Fermez la porte du réfrigérateur.
- Le thermostat est réglé à un niveau très froid. >>>Réglez le thermostat à un niveau adapté.

Le compresseur ne fonctionne pas.

- Le dispositif de protection thermique du compresseur sautera en cas de coupures soudaines du courant ou de débranchement intempestif, en effet la pression du liquide réfrigérant du système de refroidissement ne sera pas équilibrée. Le réfrigérateur recommencera à fonctionner normalement après 6 minutes environ. Veuillez contacter le service après-vente si le réfrigérateur ne redémarre pas après cette période.
- Le réfrigérateur est en mode dégivrage. >>>Cela est normal pour un réfrigérateur à dégivrage semi-automatique. Le cycle de dégivrage se déclenche régulièrement.
- Le réfrigérateur n'est pas branché à la prise. >>>Assurez-vous que la prise est branchée dans la prise murale.
- Les réglages de température ne sont pas effectués correctement. >>>Sélectionnez la température appropriée.
- Il y a une panne de courant. >>>Le réfrigérateur recommence à fonctionner normalement après le retour du courant.

Le niveau sonore augmente lorsque le réfrigérateur est en marche.

- Les caractéristiques de performance du réfrigérateur peuvent changer en raison des variations de la température ambiante. Cela est normal et n'est pas un défaut.

Le réfrigérateur fonctionne fréquemment ou pendant de longues périodes.

- Votre nouveau réfrigérateur est peut-être plus large que l'ancien. Les grands réfrigérateurs fonctionnent plus longtemps.

- La température de la pièce est probablement élevée. >>> Il est normal que l'appareil fonctionne plus longtemps quand la température ambiante est élevée.

- Le réfrigérateur pourrait y avoir été branché tout récemment ou pourrait avoir été chargé de denrées alimentaires. >>> Quand le réfrigérateur a été branché ou récemment rempli avec de la nourriture, il met plus de temps à atteindre la température réglée. Ce phénomène est normal.

- D'importantes quantités de denrées chaudes ont peut-être été introduites dans le réfrigérateur récemment. >>> Ne mettez pas de nourriture chaude dans le réfrigérateur.

- Les portes ont peut-être été ouvertes fréquemment ou laissées entrouvertes pendant une durée prolongée. >>> L'air chaud qui entre dans l'appareil oblige le réfrigérateur à travailler sur de plus longues périodes. N'ouvrez pas les portes fréquemment.

- La porte du réfrigérateur est probablement entrouverte. >>> Vérifiez que les portes sont bien fermées.

- Le réfrigérateur est réglé à une température très basse. >>> Réglez la température du réfrigérateur à un degré supérieur et attendez que la température réglée soit atteinte.

- Le joint de la porte du réfrigérateur ou du congélateur peut être sale, déchiré, rompu ou mal en place. >>> Nettoyez ou remplacez le joint. Tout joint endommagé/déchiré fait fonctionner le réfrigérateur pendant une période de temps plus longue afin de conserver la température actuelle.

La température du congélateur est très basse alors que celle du réfrigérateur est correcte.

- La température du congélateur est réglée à une température très basse. >>> Réglez la température du congélateur à un degré supérieur et vérifiez.

La température du réfrigérateur est très basse alors que celle du congélateur est correcte.

- La température du réfrigérateur est réglée à une température très basse. >>> Réglez la température du réfrigérateur à un degré supérieur et vérifiez.

Les denrées conservées dans les tiroirs du compartiment de réfrigération sont congelées.

- La température du réfrigérateur est réglée à une température très basse. >>> Réglez la température du réfrigérateur à un niveau inférieur et vérifiez.

La température dans le réfrigérateur ou le congélateur est très élevée.

- La température du réfrigérateur est réglée à une température très basse. >>> Le réglage du compartiment réfrigérant a un effet sur la température du congélateur. Changez les températures du réfrigérateur ou du congélateur et attendez que les compartiments atteignent une température suffisante.

- Les portes ont peut-être été ouvertes fréquemment ou laissées entrouvertes pendant une durée prolongée. >>> N'ouvrez pas les portes fréquemment.

- La porte est entrouverte. >>> Refermez complètement la porte.

- Le réfrigérateur a été récemment branché ou rempli avec de la nourriture. >>> Ce phénomène est normal. Lorsque le réfrigérateur vient d'être branché ou récemment rempli avec de la nourriture, il met plus de temps à atteindre la température réglée.

- D'importantes quantités de denrées chaudes ont peut-être été introduites dans le réfrigérateur récemment. >>> Ne mettez pas de nourriture chaude dans le réfrigérateur.

Vibrations ou bruits

• Le sol n'est pas plat ou stable. >>> Si le réfrigérateur balance lorsqu'il est déplacé lentement, équilibrez-le en ajustant sa base. Assurez-vous que le sol est plat et suffisamment solide pour supporter le poids et le volume de l'appareil.

• Les éléments placés sur le réfrigérateur peuvent faire du bruit. >>> Enlevez les éléments du haut du réfrigérateur.

Le réfrigérateur produit des bruits semblables à de l'eau qui coule, à la pulvérisation d'un liquide, etc.

• Des écoulements de gaz et de liquides surviennent dans le réfrigérateur, de par ses principes de fonctionnement. Cela est normal et n'est pas un défaut.

Un sifflement sort du réfrigérateur.

• Les ventilateurs sont utilisés pour refroidir le réfrigérateur. Cela est normal et n'est pas un défaut.

Condensation sur les parois intérieures du réfrigérateur.

• Un temps chaud et humide augmente la formation de givre et de condensation. Cela est normal et n'est pas un défaut.

• Les portes ont peut être été ouvertes fréquemment ou laissées entrouvertes pendant une durée prolongée. >>> N'ouvrez pas les portes fréquemment. Refermez-les si elles sont ouvertes.

• La porte est entrouverte. >>> Refermez complètement la porte.

De l'humidité est présente à l'extérieur ou entre les portes du réfrigérateur.

• Il y a peut être de l'humidité dans l'air; ceci est tout à fait normal par un temps humide. Lorsque l'humidité est faible, la condensation disparaîtra.

Présence d'une mauvaise odeur dans le réfrigérateur.

• Il n'y a pas de nettoyage régulier effectué. >>> Nettoyez régulièrement l'intérieur du réfrigérateur avec une éponge, de l'eau tiède ou du carbonate dissout dans l'eau.

• Certains récipients ou matériaux d'emballage peuvent provoquer ces odeurs. >>> Utilisez un autre récipient ou changez de marque de matériau d'emballage.

• Les denrées sont mises au réfrigérateur dans des récipients sans couvercle. >>> Conservez les aliments liquides dans des récipients fermés. Les micro-organismes issus de récipients non fermés peuvent dégager des odeurs désagréables.

• Enlevez les aliments périmés et pourris du réfrigérateur.

La porte ne se ferme pas.

• Des récipients empêchent la fermeture de la porte. >>> Retirez les emballages qui obstruent la porte.

• Le réfrigérateur n'est pas complètement vertical sur le sol. >>> Ajustez les pieds du réfrigérateur pour l'équilibrer.

• Le sol n'est pas plat ou solide. >>> Assurez-vous que le sol est plat et qu'il peut supporter le poids du réfrigérateur.

Les bacs à légumes sont coincés.

• Il se peut que les denrées touchent le plafond du tiroir. >>> Disposez à nouveau les denrées dans le tiroir.

Si La Surface De L'appareil Est Chaude.

• Vous pouvez observer une élévation de la température entre les deux portes, sur les panneaux latéraux et au niveau de la grille arrière pendant le fonctionnement de l'appareil. Ce phénomène est normal et ne nécessite aucune opération d'entretien !



Points de collecte sur www.quefairedemesdechets.fr
Privilégiez la réparation ou le don de votre appareil !



Leggere innanzitutto il manuale di istruzioni.

Gentile Cliente,

ci auguriamo che l'articolo da Lei scelto, prodotto in moderni stabilimenti e sottoposto ai più severi controlli di qualità, risponda interamente alle Sue esigenze.

A tal fine, La invitiamo a leggere attentamente il manuale di istruzioni dell'apparecchio prima di procedere al suo utilizzo e di conservarlo per eventuali consultazioni future.

Il presente manuale

- Aiuterà l'utente ad utilizzare l'apparecchio in modo rapido e sicuro.
- Leggere le istruzioni per l'uso prima di installare e utilizzare l'apparecchio.
- Seguire attentamente le istruzioni, in particolare quelle inerenti alla sicurezza.
- Conservare il presente manuale in un luogo facilmente accessibile per eventuali future consultazioni.

- Leggere inoltre gli altri documenti forniti assieme all'apparecchio.

Il presente manuale può essere valido anche per altri modelli.

Simboli e loro descrizione

Il manuale di istruzioni contiene i seguenti simboli:

 Informazioni importanti o consigli utili di utilizzo.

 Segnale di avvertimento in caso di situazioni pericolose per la persona o i beni.

 Avvertimento in caso di problemi con il voltaggio.

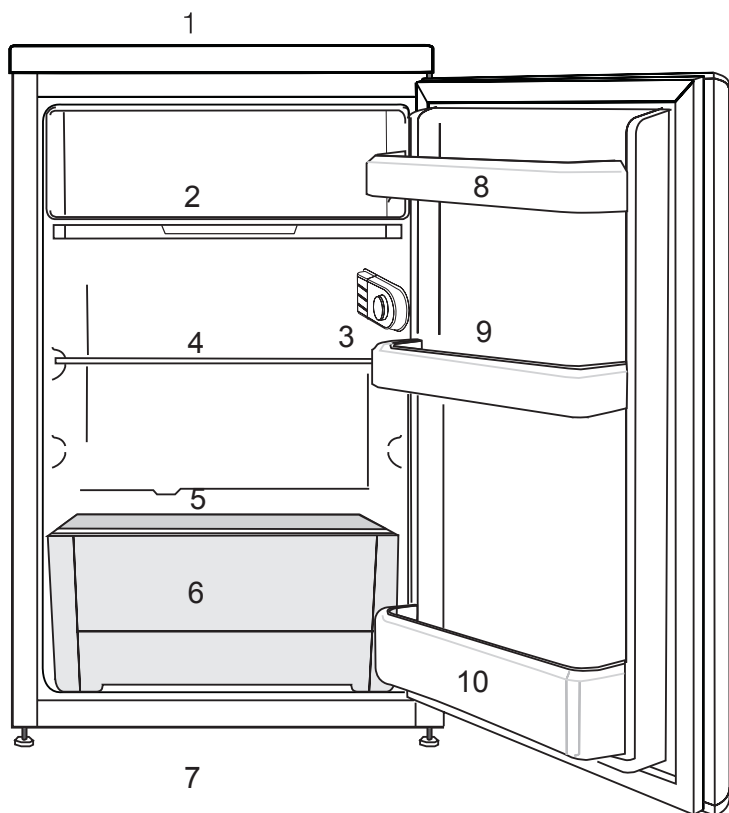
Informazioni sulla classificazione dell'imballaggi

Scansiona il Qrcode che si trova sull'imballo del prodotto per trovare tutte le informazioni relative all'imballo e come gestirne il suo corretto smaltimento.

INDICE

1 Il frigorifero	4	4 Preparazione	15
2 Importanti avvertenze per la sicurezza	5	5 Utilizzo del frigorifero	16
Uso previsto.....	5	Sbrinamento dell'elettrodomestico	16
Sicurezza generale	5	Raffreddamento.....	17
Sicurezza bambini	8	Conservazione alimenti	17
Conformità alla direttiva WEEE e allo smaltimento dei rifiuti:	9	6 Manutenzione e pulizia	19
Conformità alla Direttiva RoHS:.....	9	Protezione delle superfici di plastica	19
Informazioni sulla confezione.....	9	7 Ricerca e risoluzione dei problemi	20
Avvertenza HC.....	9		
Cose da fare per risparmiare energia.....	10		
3 Installazione	11		
Punti a cui prestare attenzione quando si sposta il frigorifero	11		
Prima di avviare il frigorifero,.....	11		
Collegamenti elettrici	12		
Smaltimento del materiale di imballaggio.....	12		
Smaltimento del vecchio frigorifero	12		
Posizionamento e installazione	12		
Regolazione dei piedini.....	13		
Cambiare la lampadina di illuminazione	13		
Inversione degli sportelli	14		

1 Il frigorifero



- | | |
|---|--------------------------------|
| 1. Guarnizione superiore | 6. Scomparto frutta e verdura |
| 2. Vassoio di scarico | 7. Piedi anteriori regolabili |
| 3. Luce interna e manopola del termostato | 8. Scomparti della controporta |
| 4. Mensola amovibile | 9. Scomparto per le uova |
| 5. Coperchio scomparto frutta e verdura | 10. Ripiano bottiglie |

❗ Le illustrazioni contenute in questa guida sono schematiche e potrebbero non corrispondere esattamente al prodotto in uso. Se le parti in oggetto non sono incluse nell'apparecchio acquistato, significa che sono da intendersi per altri modelli.

2 Importanti avvertenze per la sicurezza

Prendere in esame le seguenti informazioni. La mancata osservanza di queste informazioni può provocare lesioni o danni materiali. Quindi tutte le garanzie e gli impegni sull'affidabilità diventerebbero privi di validità.

I pezzi di ricambio originali verranno forniti per 10 anni, successivamente alla data di acquisto del prodotto.

Uso previsto

⚠	AVVERTENZA: Assicurarsi che i fori di ventilazione non sono chiusi quando il dispositivo è nella sua custodia o quando lo si inserisce nel suo alloggiamento.
⚠	AVVERTENZA: Non utilizzare alcun dispositivo meccanico o altri dispositivi per accelerare il processo di sbrinamento e seguire solo i consigli del fabbricante.
⚠	AVVERTENZA: Non danneggiare il circuito del liquido refrigerante.
⚠	AVVERTENZA: Non utilizzare apparecchi elettrici non consigliati dal fabbricante all'interno dei vani per la conservazione degli alimenti.

⚠	AVVERTENZA: Non conservare sostanze esplosive come aerosol con gas propellenti infiammabili nell'apparecchio.
---	---

Questo apparecchio è stato progettato per applicazioni domestiche e per la seguenti applicazioni simili:

- Per essere utilizzato nelle cucine del personale di negozi, uffici e altri luoghi di lavoro;
- Per essere utilizzato dai clienti negli alberghi e nelle case di campagna, motel e altri luoghi di alloggio;
- in ambienti tipo pensioni
- in luoghi simili che non offrano servizi di ristorazione e non siano di vendita al dettaglio.

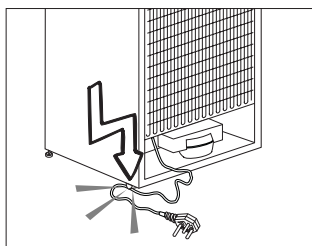
Sicurezza generale

- Quando si vuole smaltire/eliminare l'apparecchio, è consigliabile consultare il servizio autorizzato per apprendere le informazioni necessarie e conoscere gli enti autorizzati.
- Consultare il servizio di manutenzione autorizzato per tutti i problemi relativi al frigorifero. Non intervenire o far intervenire sul frigorifero senza informare il servizio manutenzione autorizzato.
- Per apparecchi dotati di scomparto freezer; non mangiare con gelato o cubetti di ghiaccio o gelati appena

- estratti dal freezer! (Ciò potrebbe causare sintomi di congelamento in bocca).
- Per apparecchi dotati di scomparto freezer; non mettere bottiglie e lattine di bibite liquide nello scomparto del freezer altrimenti potrebbero esplodere.
 - Non toccare con le mani gli alimenti gelati; possono incollarsi ad esse.
 - Scollegare il frigorifero prima della pulizia o dello sbrinamento.
 - Il vapore e i materiali per la pulizia vaporizzati non devono mai essere usati per pulire e scongelare il frigorifero. In queste situazioni, il vapore può entrare in contatto con le parti elettriche e provocare corto circuito o scossa elettrica.
 - Non usare mai parti del frigorifero come lo sportello come mezzo di supporto o movimento.
 - Non utilizzare dispositivi elettrici all'interno del frigorifero.
 - Non danneggiare le parti, in cui circola il refrigerante, con utensili perforanti o taglienti. Il refrigerante può scoppiare quando i canali del gas dell'evaporatore, le estensioni dei tubi o le pellicole superficiali vengono punti e provocano irritazioni alla pelle e lesioni agli occhi.
 - Non bloccare o coprire la ventilazione dell'elettrodomestico.
 - I dispositivi elettrici devono essere riparati solo da persone autorizzate. Le riparazioni eseguite da personale non competente provocano danni all'utilizzatore.
 - In caso di guasto o durante lavori di riparazione e manutenzione, scollegare la fornitura d'energia principale spegnendo il fusibile principale o scollegando la presa dell'apparecchio.
 - Non tirare dal cavo quando si estrae la spina.
 - Assicurarci che le bevande alcoliche siano conservate in modo sicuro con il coperchio chiuso e posizionate in verticale.
 - Non conservare mai nel frigorifero contenitori spray che contengano sostanze infiammabili ed esplosive.
 - Non utilizzare apparecchiature meccaniche o altri mezzi diversi da quelli consigliati dal produttore per accelerare il processo di sbrinamento.
 - Questo apparecchio non deve essere usato da persone con disturbi fisici, sensoriali o mentali o persone non preparate o senza esperienza (compresi bambini) a meno che non ricevano la supervisione da parte di una persona responsabile della loro sicurezza che li instruirà sull'uso corretto dell'apparecchio.

- Non utilizzare frigoriferi danneggiati. Consultare l'agente per l'assistenza in caso di dubbi.
- La sicurezza elettrica del frigorifero è garantita unicamente se il sistema di messa a terra dell'apparecchiatura è conforme agli standard.
- L'esposizione dell'apparecchio a pioggia, neve, sole e vento è pericolosa per la sicurezza elettrica.
- Contattare l'assistenza autorizzata quando ci sono danni ai cavi in modo da evitare pericoli.
- Non collegare mai il frigorifero alla presa a muro durante l'installazione, per evitare il rischio di morte o lesioni gravi.
- Questo frigorifero è destinato solo alla conservazione di alimenti. Non deve essere usato per altri scopi.
- L'etichetta con le specifiche tecniche si trova sulla parete sinistra nella parte interna del frigorifero.
- Non collegare mai il frigorifero a sistemi di risparmio energetico; potrebbero danneggiare il frigorifero.
- Se c'è una luce blu sul frigorifero, non guardarla a lungo a occhio nudo o con strumenti ottici.
- Per i frigoriferi con controllo manuale, attendere almeno 5 minuti per avviare il frigorifero dopo un'assenza di elettricità.

- Questo manuale operativo deve essere dato al nuovo proprietario dell'apparecchio quando il prodotto stesso viene dato ad altri.
- Evitare di provocare danni al cavo di alimentazione quando si trasporta il frigorifero. Piegare il cavo può provocare un incendio. Non mettere mai oggetti pesanti sul cavo di alimentazione.
- Non toccare la spina con le mani bagnate quando si collega l'apparecchio alla rete elettrica.

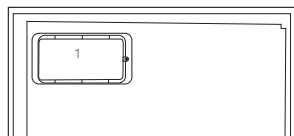
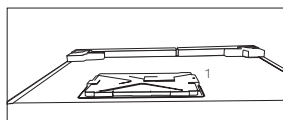


- Non collegare il frigorifero alla rete se la presa elettrica è allentata.
- Non deve essere spruzzata acqua sulle parti interne o esterne dell'apparecchio per motivi di sicurezza.
- Non spruzzare sostanze contenenti gas infiammabili come gas propano vicino al frigorifero per evitare rischio di incendio ed esplosione.
- Non mettere mai contenitori pieni di acqua sopra al frigorifero; in caso di schizzi, questo potrebbe provocare shock elettrico o incendio.

- Non sovraccaricare il frigorifero di alimenti. In caso di sovraccarico, gli alimenti potrebbero cadere provocando lesioni alla persona e danni al frigorifero quando si apre lo sportello.
- Non mettere mai oggetti sopra al frigorifero; altrimenti questi oggetti potrebbero cadere quando si apre o si chiude lo sportello del frigorifero.
- Poiché necessitano di un controllo preciso della temperatura, vaccini, medicine sensibili al calore e materiali scientifici non devono essere conservati nel frigorifero.
- Se non sarà usato per un lungo periodo, il frigorifero deve essere scollegato. Un problema possibile nel cavo di alimentazione può provocare un incendio.
- Il frigorifero potrebbe spostarsi se i piedini regolabili non sono assicurati correttamente al pavimento. Assicurare correttamente i piedini al pavimento può evitare che il frigorifero si sposti.
- Quando si trasporta il frigorifero, non tenerlo dalla maniglia dello sportello. Altrimenti si stacca.
- Quando è necessari posizionare l'apparecchio vicino ad un altro frigorifero o freezer, la distanza tra i dispositivi deve essere di

almeno 8 cm. Altrimenti le pareti laterali vicine potrebbero produrre condensa.

- Non usare mai il prodotto se la sezione che si trova sulla parte superiore o posteriore del prodotto, con le schede dei circuiti elettronici stampati all'interno, è aperta (copri schede dei circuiti elettronici stampati) (1).



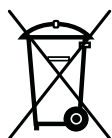
Sicurezza bambini

- La pressione per l'ingresso dell'acqua fredda dovrebbe essere al massimo 90 psi (620 kPa). Qualora la pressione dell'acqua superi il valore 80 psi (550 kPa), usare una valvola di limitazione della pressione nel sistema principale. Qualora non si sappia come verificare la pressione dell'acqua, chiedere aiuto a un idraulico professionista.
- In caso di rischio dell'effetto "martello acqua" nel proprio impianto, usare sempre una strumentazione per evitare

l'effetto "martello d'acqua" nel proprio impianto. Rivolgersi a idraulici professionisti in caso di dubbio relativamente alla presenza o meno dell'effetto "martello d'acqua" nel proprio impianto.

- Non installare l'ingresso dell'acqua calda. Prendere precauzioni contro il rischio di congelamento dei tubi. La gamma di funzionamento della temperatura dell'acqua dovrebbe essere 33°F (0,6°C) come minimo e 100°F (38°C) al massimo.
- I bambini devono ricevere supervisione per evitare che interferiscano con l'apparecchio.

Conformità alla direttiva WEEE e allo smaltimento dei rifiuti:



Questo apparecchio è conforme alla Direttiva UE WEEE (2012/19/EU). Questo apparecchio riporta il simbolo di classificazione per i rifiuti delle apparecchiature elettriche ed elettroniche (WEEE).

Questo apparecchio è stato realizzato con parti e materiali di alta qualità che possono essere riutilizzati e sono adatti ad essere riciclati. Non smaltire i rifiuti dell'apparecchio con i normali rifiuti domestici e gli altri rifiuti alla fine della vita di servizio. Portarlo al centro di raccolta per il riciclaggio di apparecchiature elettriche ed elettroniche. Consultare le autorità locali per conoscere la collocazione di questi centri di raccolta.

Conformità alla Direttiva RoHS:

L'apparecchio acquistato è conforme alla Direttiva UE RoHS (2011/65/EU). Non contiene materiali pericolosi o proibiti specificati nella Direttiva.

Informazioni sulla confezione

I materiali di imballaggio del prodotto sono realizzati con materiali riciclabili secondo i nostri regolamenti nazionali sull'ambiente. Non smaltire i materiali di imballaggio con i rifiuti domestici o altri rifiuti. Portarli ai punti di raccolta dedicati ai materiali di imballaggio, previsti dalle autorità locali.

Cose da non dimenticare...

Tutte le sostanze riciclate sono elementi indispensabili per la natura e la nostra ricchezza nazionale.

Se si desidera contribuire alla rivalutazione dei materiali di imballaggio, è possibile consultare le organizzazioni ambientaliste o le autorità del comune in cui si vive.

Avvertenza HC

Se il sistema di raffreddamento dell'apparecchio contiene R600a:

Questo gas è infiammabile. Pertanto, fare attenzione a non danneggiare il sistema di raffreddamento e le tubazioni durante l'uso e il trasporto. In caso di danni, tenere l'apparecchio lontano da potenziali fonti di incendio che possono provocarne l'incendio e ventilare la stanza in cui si trova l'unità.

Ignorare questa avvertenza se il sistema di raffreddamento dell'apparecchio contiene R134a.

Il tipo di gas usato nell'apparecchio è descritto nell'etichetta con il tipo sulla parete sinistra nella parte interna del frigorifero.

Non gettare mai l'apparecchio nel fuoco per lo smaltimento.

Cose da fare per risparmiare energia

- Non lasciare lo sportello del frigorifero aperto per lungo tempo.
- Non inserire alimenti caldi o bevande calde nell'elettrodomestico.
- Non sovraccaricare il frigorifero impedendo la circolazione dell'aria al suo interno.
- Non installare il frigorifero sotto la luce diretta del sole o nelle vicinanze di forni, lavastoviglie o radiatori. Tenere il frigorifero ad almeno 30 cm dalle fonti che emettono calore e ad almeno 5 cm dai forni elettrici.
- Porre attenzione nel conservare gli alimenti in contenitori chiusi.
- Per apparecchi dotati di scomparto freezer; è possibile conservare la quantità massima di alimenti nel freezer quando si rimuove il ripiano o il cassetto del freezer. Il valore di consumo energetico dichiarato per il frigorifero è stato determinato rimuovendo il ripiano del freezer o il cassetto e in condizione di carico massimo. Non c'è pericolo nell'usare un ripiano o un cassetto secondo le forme e le dimensioni degli alimenti da congelare.
- Scongelare alimenti congelati nello scomparto frigo garantisce risparmio energetico e conserva la qualità degli alimenti.

3 Installazione

⚠ Se le informazioni date in questo manuale utente non sono prese in considerazione, il produttore non accetta alcuna responsabilità per questo.

Punti a cui prestare attenzione quando si sposta il frigorifero

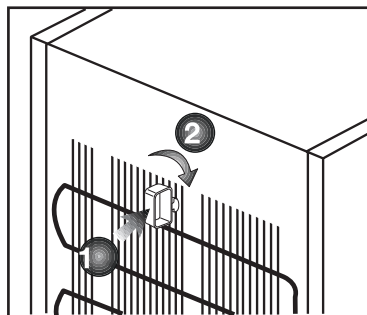
1. Il frigorifero deve essere scollegato. Prima del trasporto, il frigorifero deve essere svuotato e pulito.
2. Prima di imballarlo di nuovo, ripiani, accessori, scomparto frutta e verdura, ecc. all'interno del frigorifero devono essere fissati con nastro adesivo e assicurati contro i colpi. L'imballaggio deve essere eseguito con un nastro doppio o cavi sicuri e bisogna osservare rigorosamente le norme per il trasporto presenti sulla confezione.
3. Conservare i materiali originali di imballaggio per futuri trasporti o spostamenti.

Prima di avviare il frigorifero,

Controllare quanto segue prima di utilizzare il frigorifero:

1. Montare i 2 cunei in plastica come illustrato sotto. I cunei in plastica servono a mantenere la distanza che assicura la circolazione dell'aria tra frigorifero e parete. (L'immagine è creata per illustrare e non è identica all'apparecchio).

2. Pulire la parte interna del frigorifero come consigliato nella sezione "Manutenzione e pulizia".



3. Collegare la spina del frigorifero alla presa elettrica. Quando lo sportello del frigorifero è aperto, la lampadina interna si accende.
4. Quando il compressore comincia a funzionare, si sente un rumore. I liquidi e i gas sigillati nel sistema refrigerante possono produrre dei rumori, anche se il compressore non è in funzione; questo è abbastanza normale.
5. I bordi anteriori del frigorifero possono essere tiepidi. Questo è normale. Queste zone sono progettate per essere tiepide per evitare la condensazione.

Collegamenti elettrici

Collegare il frigorifero ad una presa di messa a terra protetta da un fusibile della capacità appropriata.

Importante:

- Il collegamento deve essere conforme ai regolamenti nazionali.
- La spina elettrica deve essere facilmente accessibile dopo l'installazione.
- La sicurezza elettrica del frigorifero è garantita unicamente se il sistema di messa a terra dell'apparecchiatura è conforme agli standard.
- La tensione dichiarata sull'etichetta che si trova nel lato interno a sinistra dell'apparecchio deve essere pari alla tensione di rete.
- Le prolunghe e le prese multiple non devono essere usate per il collegamento.

⚠ Un cavo di alimentazione danneggiato deve essere sostituito da un elettricista qualificato.

⚠ L'apparecchio non deve essere usato finché non viene riparato! C'è rischio di shock elettrico!

Smaltimento del materiale di imballaggio

I materiali di imballaggio potrebbero essere dannosi per i bambini. Tenere i materiali di imballaggio fuori dalla portata dei bambini o smaltirli classificandoli secondo le istruzioni sui rifiuti comunicate dalle autorità locali. Non smaltire assieme ai normali rifiuti domestici, smaltire nei punti di raccolta appositi indicati dalle autorità locali.

L'imballaggio del frigorifero è prodotto con materiali riciclabili.

Smaltimento del vecchio frigorifero

Smaltire il vecchio frigorifero senza danni per l'ambiente.

- Bisogna consultare il rivenditore autorizzato o il centro di raccolta rifiuti della propria città per quanto riguarda lo smaltimento del frigorifero.

Prima di smaltire il frigorifero, tagliare la spina elettrica e, se ci sono blocchi allo sportello, renderli inutilizzabili per proteggere i bambini da eventuali pericoli.

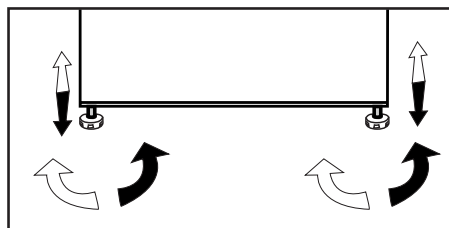
Posizionamento e installazione

⚠ Nel caso in cui la porta di ingresso della stanza in cui il frigorifero deve essere posizionato non è abbastanza grande per il passaggio del frigorifero, chiamare il servizio autorizzato per rimuovere le porte del frigorifero e per farlo passare attraverso la porta.

1. Installare il frigorifero in un luogo che ne permetta il facile utilizzo.
2. Tenere il frigorifero lontano da fonti di calore, luoghi umidi e luce diretta del sole.
3. Intorno al frigorifero deve esserci ventilazione appropriata per poter avere operatività efficiente. Se il frigorifero deve essere posizionato in un recesso della parete, è necessario porlo ad almeno 5 cm di distanza dal soffitto e a 5 cm dalla parete. Non posizionare l'apparecchio su materiali come tappetini o tappeti.
4. Posizionare l'elettrodomestico solo su superfici uniformi e piane per evitare dondoli.

Regolazione dei piedini

Se il frigorifero non è in equilibrio: è possibile bilanciare il frigorifero ruotando i piedini anteriori come illustrato in figura. L'angolo in cui i piedini sono più bassi quando girati in direzione della freccia nera e rialzati quando girati in direzione opposta. Un aiuto per sollevare leggermente il frigorifero faciliterà tale processo.



Cambiare la lampadina di illuminazione

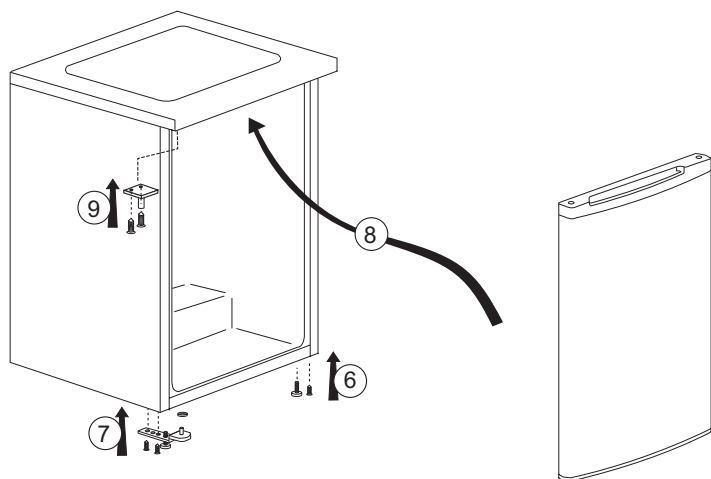
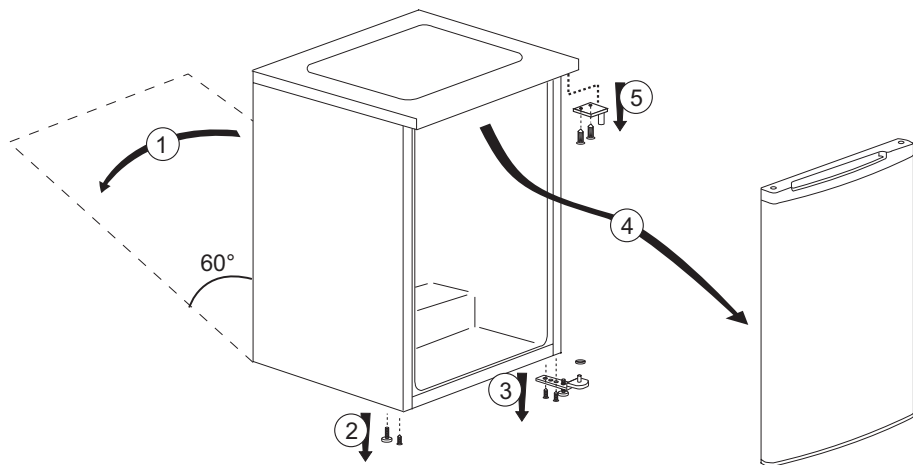
Per cambiare lampadina/LED utilizzati per illuminare il frigorifero, rivolgersi al Servizio Assistenza Autorizzato.

La lampada (le lampade) usata (usate) nell'apparecchiatura non è (sono) adatta (adatte) per l'illuminazione domestica. L'obiettivo previsto per questa lampada è quello di assistere l'utente in fase di posizionamento degli alimenti all'interno del frigorifero / congelatore in modo sicuro e comodo.

Le lampadine utilizzate in questo apparecchio devono sopportare condizioni fisiche estreme come temperature inferiori a -20 °C.

Inversione degli sportelli

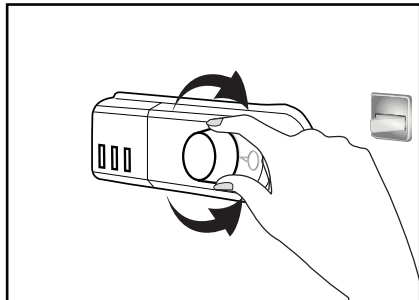
Procedere in ordine numerico



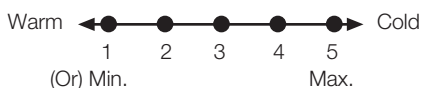
4 Preparazione

- i** Il frigorifero dovrà essere installato ad almeno 30 cm lontano da fonti di calore, come forni, riscaldamento centrale e stufe e ad almeno 5 cm da forni elettrici e non deve essere esposto alla luce diretta del sole.
- i** La temperatura ambiente della stanza in cui viene installato il frigorifero deve essere almeno 5°C. Usare il frigorifero in ambienti con temperatura inferiore non è consigliabile per motivi di efficienza.
- i** Assicurarsi che l'interno del frigorifero sia ben pulito.
- i** In caso di installazione di due frigoriferi l'uno accanto all'altro, devono esservi almeno 2 cm di distanza tra di loro.
- i** Quando il frigorifero viene messo in funzione per la prima volta, osservare le seguenti istruzioni per le prime sei ore.
 - Lo sportello non si deve aprire frequentemente.
 - Deve funzionare vuoto senza alimenti all'interno.
 - Non staccare il frigo dalla presa di corrente. Se si verifica un calo di potenza al di là del controllo dell'utente, vedere le avvertenze nella sezione "Soluzioni consigliate per i problemi".
- i** Conservare i materiali originali di imballaggio per futuri trasporti o spostamenti.

5 Utilizzo del frigorifero



La temperatura di funzionamento è regolata con il comando temperatura.



1 = impostazione raffreddamento minimo (Impostazione più calda)

5 = impostazione raffreddamento massimo (Impostazione più fredda)

(Oppure)

Min. = impostazione raffreddamento minimo (Impostazione più calda)

Max. = impostazione raffreddamento massimo (Impostazione più fredda)

La temperatura media all'interno del frigo dovrebbe essere intorno a +5°C.

Scegliere l'impostazione secondo la temperatura desiderata.

È possibile interrompere il funzionamento dell'elettrodomestico regolando la manopola del termostato sulla posizione "0".

Si noti che ci saranno temperature diverse nell'area di raffreddamento.

La sezione più fredda è quella immediatamente sopra lo scomparto per le verdure.

La temperatura interna dipende anche dalla temperatura ambiente, dalla frequenza con cui lo sportello viene aperto e dalla quantità di cibo contenuto all'interno.

L'apertura frequente dello sportello provoca un aumento della temperatura interna.

Per questo motivo si consiglia di chiudere lo sportello subito dopo l'uso, il più velocemente possibile.

A temperatura ambiente superiore ai 30°C, rimuovere il vassoio di scarico per una migliore prestazione di raffreddamento.

La sezione più fredda è quella immediatamente sotto allo scomparto per le verdure.

In caso di umidità elevata, si può formare condensa sul frigorifero; non è un guasto. Può essere asciugata con un panno asciutto secondo le istruzioni di sicurezza. Ghiaccio, brina e condensa sono normali nello scomparto di preparazione del ghiaccio e nel contenitore dell'acqua di scarico.

Sbrinamento dell'elettrodomestico

Una eccessiva formazione di ghiaccio influenza la prestazione di congelamento dell'elettrodomestico.

Si consiglia pertanto di sbrinare l'elettrodomestico almeno due volte all'anno o ogniqualvolta le formazioni di ghiaccio superano i 7 mm.

Sbrinare l'elettrodomestico quando c'è poco cibo o non ce n'è affatto.

Estrarre gli alimenti. Avvolgere gli alimenti in vari strati di carta o in una coperta e tenerli in un posto freddo.

Scollegare l'elettrodomestico o spegnere l'interruttore per avviare il processo di sbrinamento.

Estrarre gli accessori (come ripiani, cassetti, ecc.) dall'elettrodomestico e usare un contenitore adatto per raccogliere l'acqua di sbrinamento.

Usare una spugna o un panno morbido per rimuovere l'acqua di sbrinamento da tutti gli scomparti, se necessario.

Tenere lo sportello aperto durante lo sbrinamento.

Per uno sbrinamento più veloce, mettere dei contenitori con acqua calda nell'elettrodomestico.

Non usare mai apparecchi elettrici, spray per lo sbrinamento o oggetti appuntiti o taglienti come coltelli o forchette per rimuovere il ghiaccio.

Dopo il completamento dello sbrinamento, pulire l'interno.

Ricollegare l'elettrodomestico alla rete. Mettere gli alimenti congelati nei cassetti e far scorrere i cassetti all'interno del freezer.

Spegnere l'interruttore di circuito e scollegare l'apparecchio per motivi di sicurezza prima di avviare il processo di sbrinamento.

Durante lo sbrinamento, la valvola di tiraggio del vassoio dell'evaporatore deve essere posizionata come in modalità inverno. Dopo lo sbrinamento, può essere posizionata, secondo necessità, in modalità estate o inverno.

Raffreddamento

Conservazione alimenti

Lo scomparto frigo serve per la conservazione a breve termine di cibi freschi e bevande.

Conservare i prodotti caseari nell'apposito scomparto del frigorifero.

Le bottiglie possono essere messe nel portabottiglie o nel ripiano per bottiglie dello sportello.

La carne cruda viene conservata al meglio in una busta in polietilene nello scomparto sul fondo del frigorifero.

Lasciare che i cibi e le bevande calde si raffreddino fino a temperatura ambiente prima di metterli nel frigorifero.

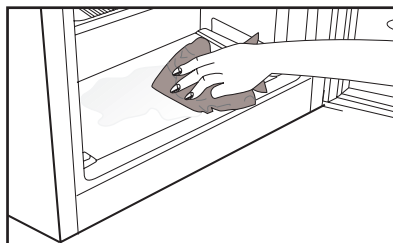
• **Attenzione**

Conservare l'alcol concentrato in un contenitore esclusivamente in posizione verticale e perfettamente chiuso.

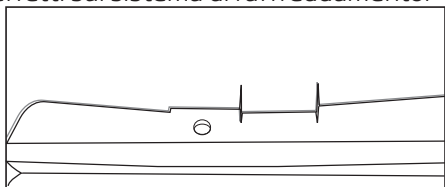
• **Attenzione**

Non conservare sostanze esplosive o contenitori con gas propellenti infiammabili (panna in bomboletta, lattine spray, ecc.) nell'elettrodomestico.

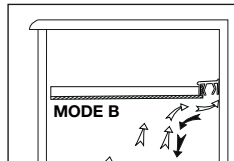
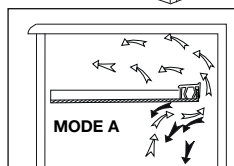
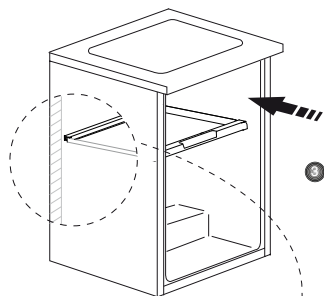
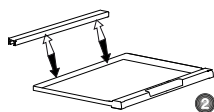
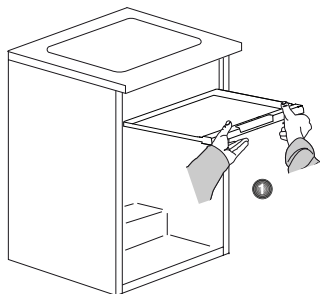
Pericolo di esplosioni.



Il bilanciamento a punta chiusa mostrato fa parte del design; non ha effetti sul sistema di raffreddamento.



La valvola di tiraggio del vassoio dell'evaporatore può essere utilizzata come descritto sotto per mantenere la temperatura desiderata per lo scomparto a seconda della temperatura ambiente, ad esempio modalità inverno per temperatura ambiente fredda e modalità estate per temperatura ambiente calda.



MODALITÀ ESTATE

(Quando è necessaria una temperatura più fredda per lo scomparto).

MODALITÀ INVERNO

(Quando è necessaria una temperatura più calda per lo scomparto).

6 Manutenzione e pulizia

- ⚠ Non usare mai gasolio, benzene o sostanze simili per scopi di pulizia.
- ⚠ È consigliato scollegare l'apparecchio prima della pulizia.
- ⚠ Non utilizzare mai attrezzi appuntiti o sostanze abrasive, saponi, detergenti per la casa o cere per la pulizia.
- ⚠ Per i prodotti non-No Frost, si verifica la formazione di gocce di acqua e ghiaccio fino allo spessore di un dito sulla parete posteriore dello scomparto frigo. Non pulire; non applicare mai olio né agenti simili.
- ⚠ Utilizzare solo panni umidi in microfibra per pulire la superficie esterna del prodotto. Spugne e altri tipi di panni per la pulizia possono graffiare la superficie.
- ℹ Utilizzare acqua tiepida per pulire l'alloggiamento del frigorifero e asciugarlo.
- ℹ Utilizzare un panno umido intriso di una soluzione composta da un cucchiaino di bicarbonato di soda e da circa mezzo litro di acqua e pulire l'interno, quindi asciugarlo.
- ⚠ Assicurarci che l'acqua non penetri nel quadro di comando della temperatura.
- ⚠ Se il frigorifero non viene usato per un lungo periodo di tempo, scollegare il cavo di alimentazione, rimuovere tutti gli alimenti dal suo interno, pulirlo e lasciare lo sportello aperto.
- ℹ Controllare le guarnizioni dello sportello periodicamente per garantire che siano pulite e che non siano presenti particelle di alimenti.
- ⚠ Per rimuovere le rastrelliere dello sportello, rimuovere tutto il contenuto e spingere semplicemente le rastrelliere verso l'alto.
- ⚠ Non utilizzare mai agenti di pulizia o acqua contenente cloro per pulire le superfici esterne e le parti rivestite in cromo dell'apparecchio. Il cloro provoca corrosione su tali superfici di metallo.
- ⚠ Non usare strumenti affilati e abrasivi o sapone, agenti detergenti domestici, detergenti, gasolio, benzene, cera, ecc., altrimenti le indicazioni sulle parti in plastica si toglieranno e si verificherà deformazione. Usare acqua tiepida e un panno morbido unicamente per le operazioni di pulizia e asciugatura.

Protezione delle superfici di plastica

- ℹ Non inserire oli liquidi o piatti cotti in olio nel frigorifero se in contenitori non sigillati poiché questi possono danneggiare le superfici in plastica del frigorifero. In caso di fuoriuscita di olio sulle superfici in plastica, pulire e asciugare le parti della superfici con acqua tiepida.

7 Ricerca e risoluzione dei problemi

Prima di chiamare il servizio assistenza, rivedere la lista precedente. Si risparmierà tempo e denaro. Questa lista comprende frequenti reclami che non derivano da difetti di lavorazione o dai materiali utilizzati. Alcune delle funzioni descritte qui potrebbero non esistere nel proprio apparecchio.

Il frigorifero non funziona.

- La spina non è inserita correttamente nella presa. >>>Inserire in modo sicuro la spina nella presa.
- Il fusibile della presa a cui è collegato il frigorifero o il fusibile principale sono saltati. >>>Controllare il fusibile.

Condensa sulla parete laterale dello scomparto frigo (MULTIZONE, COOL CONTROL e FLEXI ZONE).

- Lo sportello è stato aperto con eccessiva frequenza. >>>Non aprire e chiudere lo sportello del frigorifero con eccessiva frequenza.
- L'ambiente è molto umido. >>>Non installare il frigorifero in luoghi molto umidi.
- Gli alimenti che contengono liquidi sono conservati in contenitori aperti. >>>Non conservare alimenti che contengono liquido in contenitori aperti.
- Lo sportello del frigorifero è lasciato aperto. >>>Chiudere lo sportello del frigorifero.
- Il termostato è impostato ad un livello molto freddo. >>>Impostare il termostato ad un livello adatto.

Il compressore non funziona

- La protezione termica del compressore è inattiva in caso di mancanza di corrente o di mancato collegamento alla presa, se il sistema refrigerante non è ancora stato regolato. Il frigorifero comincerà a funzionare dopo circa 6 minuti. Chiamare il servizio assistenza se il frigorifero non inizia a funzionare al termine di questo periodo.
- Il frigorifero è nel ciclo di sbrinamento. >>>Si tratta di una cosa per un frigorifero con sbrinamento completamente automatico. Il ciclo di sbrinamento si verifica periodicamente.
- L'elettrodomestico non è collegato alla presa. >>>Accertarsi che la spina sia inserita nella presa.
- Le regolazioni di temperatura non sono eseguite in modo corretto. >>>Selezionare il valore di temperatura adatto.
- Vi è una mancanza di alimentazione. >>>Il frigorifero torna ad un funzionamento normale quando viene ripristinata l'alimentazione.

Il rumore aumenta quando il frigorifero sta lavorando.

- La performance operativa del frigorifero può cambiare secondo i cambiamenti della temperatura ambiente. Si tratta di una cosa normale e non di un guasto.

Il frigorifero funziona frequentemente o per lunghi periodi.

- Il nuovo apparecchio è più grande del precedente. I frigoriferi più grandi lavorano per un più lungo periodo di tempo.
- La temperatura ambiente può essere alta. >>>È normale che l'apparecchio funzioni per periodi più lunghi in ambienti caldi.
- Il frigorifero è stato collegato alla presa di recente o è stato riempito di cibo. >>>Quando il frigorifero è stato appena collegato all'alimentazione o caricato con alimenti, ci vuole più tempo per raggiungere la temperatura impostata. Questo è normale.
- Grandi quantità di cibo caldo sono state recentemente inserite. >>>Non mettere alimenti caldi nel frigorifero.
- Gli sportelli sono aperti con eccessiva frequenza o sono stati lasciati aperti a lungo. >>>L'aria tiepida entrata nel frigorifero ne provoca il funzionamento per un periodo più lungo. Non aprire gli sportelli di frequente.
- Lo sportello del freezer o dello scomparto frigo sono rimasti aperti. >>>Controllare se gli sportelli sono perfettamente chiusi.
- Il frigo è regolato a temperatura molto bassa. >>>Regolare la temperatura del frigorifero ad un livello più alto e attendere fino a che la stessa sia acquisita.
- La chiusura dello sportello del frigorifero o del freezer può essere usurata, rotta o non inserita in modo appropriato. >>>Pulire o sostituire la guarnizione. Guarnizioni rotte o danneggiate provocano il funzionamento del frigo per periodi più lunghi per mantenere la temperatura corrente.

La temperatura ambiente è molto bassa mentre la temperatura del frigorifero è sufficiente.

- La temperatura del freezer è regolata a temperatura molto bassa. >>>Regolare la temperatura ad un livello più alto e controllare.

La temperatura ambiente è molto bassa mentre la temperatura del freezer è sufficiente.

- La temperatura del frigo è regolata a temperatura molto bassa. >>>Regolare la temperatura ad un livello più alto e controllare.

Gli alimenti che sono nei cassetti dello scomparto frigo sono congelati.

- La temperatura del frigo è regolata su un valore molto alto. >>>Regolare la temperatura del frigo ad un livello più basso e controllare.

La temperatura del frigo o freezer è molto alta.

- La temperatura del frigo è regolata su un valore molto alto. >>>L'impostazione della temperatura dello scomparto frigo provoca effetti sulla temperatura del freezer. Cambiare le temperature di frigo o freezer e aspettare finché i relativi scomparti non raggiungono una temperatura sufficiente.
- Gli sportelli sono aperti con eccessiva frequenza o sono stati lasciati aperti a lungo. >>>Non aprire gli sportelli di frequente.
- Lo sportello è aperto. >>>Chiudere completamente lo sportello.
- Il frigorifero è stato recentemente collegato all'alimentazione o caricato con alimenti. >>>Questo è normale. Quando il frigorifero è stato appena collegato all'alimentazione o caricato con alimenti, ci vuole più tempo per raggiungere la temperatura impostata.
- Grandi quantità di cibo caldo sono state recentemente inserite. >>>Non mettere alimenti caldi nel frigorifero.

<ul style="list-style-type: none"> • Vibrazioni o rumore.
<ul style="list-style-type: none"> • Il pavimento non è orizzontale o stabile. >>>Se il frigorifero ondeggia quando è mosso lentamente, equilibrarlo regolando i piedini. Accertarsi anche che il pavimento sia in piano e forte abbastanza da sopportare il frigorifero. • Gli articoli messi sul frigorifero possono provocare rumore. >>>Rimuovere gli articoli da sopra al frigorifero.
<p>Ci sono rumori che provengono dal frigorifero come gocciolamenti, spruzzo di liquidi, ecc.</p>
<ul style="list-style-type: none"> • Il flusso di liquido e gas si verifica secondo i principi operativi del frigorifero. Si tratta di una cosa normale e non di un guasto.
<p>Dal frigorifero si sente un fischio.</p>
<ul style="list-style-type: none"> • Le ventole sono usate per raffreddare il frigorifero. Si tratta di una cosa normale e non di un guasto.
<p>Condensa sulla parete interna del frigorifero.</p>
<ul style="list-style-type: none"> • Il clima caldo/umido aumenta il ghiaccio e la condensa. Si tratta di una cosa normale e non di un guasto. • Gli sportelli sono aperti con eccessiva frequenza o sono stati lasciati aperti a lungo. >>>Non aprire gli sportelli di frequente. Chiuderli se sono aperti. • Lo sportello è aperto. >>>Chiudere completamente lo sportello.
<p>Umidità al di fuori del frigorifero o tra le porte.</p>
<ul style="list-style-type: none"> • Potrebbe esserci umidità nell'aria; questo è normale nei climi umidi. Al diminuire dell'umidità, la condensa scompare.

<p>Odore cattivo dentro al frigorifero.</p>
<ul style="list-style-type: none"> • Non viene eseguita una pulizia regolare. >>>Pulire regolarmente l'interno del frigorifero con una spugna, acqua tiepida o carbonato di sodio diluito in acqua. • Alcuni contenitori o alcuni materiali per la confezione possono provocare odori. >>>Usare contenitori diversi o marche diverse. • Gli alimenti sono posti nel frigorifero in contenitori non coperti. >>>Tenere gli alimenti in contenitori chiusi. I microrganismi che fuoriescono da contenitori non coperti possono provocare odori sgradevoli. • Rimuovere gli alimenti scaduti e che si sono rovinati nel frigorifero.
<p>Lo sportello non è chiuso.</p>
<ul style="list-style-type: none"> • Gli imballaggi degli alimenti impediscono la chiusura dello sportello. >>>Sostituire le confezioni che ostruiscono lo sportello. • Il frigorifero non è completamente poggiato sul pavimento. >>>Regolare i piedini per bilanciare il frigorifero. • Il pavimento non è orizzontale o forte. >>>Accertarsi che il pavimento sia in piano, forte e in grado di sopportare il frigorifero.
<p>Gli scomparti frutta e verdura sono bloccati.</p>
<ul style="list-style-type: none"> • Gli alimenti potrebbero toccare il tetto del cassetto. >>>Risistemare gli alimenti nel cassetto.
<p>Se La Superficie Del Prodotto È Bollente.</p>
<ul style="list-style-type: none"> • Quando il prodotto è in funzione, possono essere osservate alte temperature tra i due sportelli, sui pannelli laterali e sul grill posteriore. Ciò è normale e non richiede manutenzione!

Gelieve eerst deze gebruiksaanwijzing te lezen!

Beste klant,

We hopen dat uw product, dat in een moderne fabriek werd geproduceerd en onder de meest nauwkeurige procedures voor kwaliteitscontrole werd gecontroleerd, u doeltreffend van dienst zal zijn.

Wij bevelen daarom aan dat u eerst zorgvuldig de volledige gebruiksaanwijzing van uw product leest voordat u het product gaat gebruiken. Bewaar de handleiding voor toekomstige raadpleging.



Deze gebruiksaanwijzing

- Helpt u uw toestel snel en veilig te gebruiken.
- Lees de gebruiksaanwijzing voordat u het product installeert en gebruikt.
- Volg de instructies, in het bijzonder die met betrekking tot veiligheid.
- Bewaar de gebruiksaanwijzing op een gemakkelijk toegankelijke plaats aangezien u deze later nodig kunt hebben.
- Daarnaast moet u ook de andere documenten, die bij uw product worden geleverd, lezen.

Let erop dat deze gebruiksaanwijzing ook voor andere modellen kan gelden.

Symbolen en hun beschrijvingen

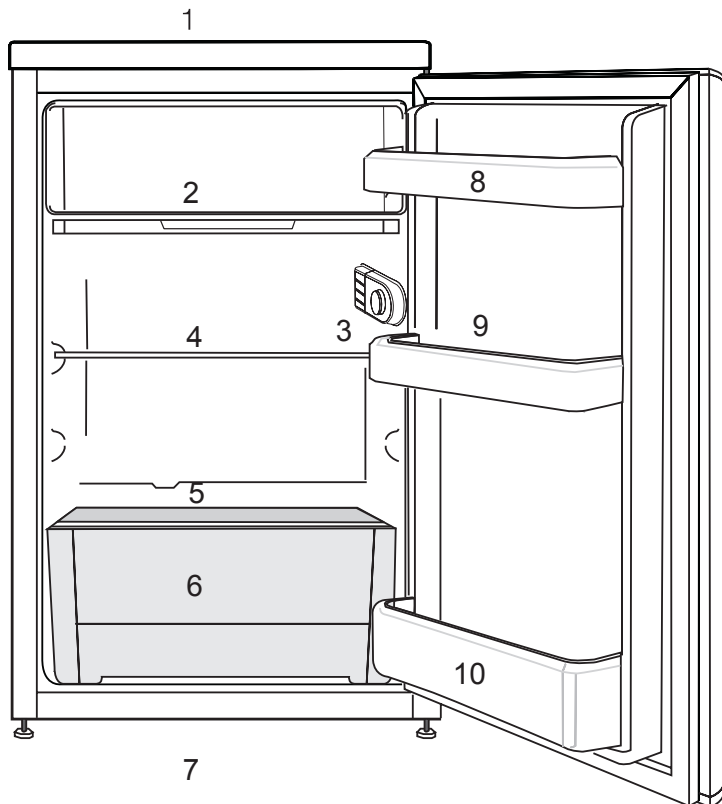
Deze instructiehandleiding bevat de volgende symbolen:

-  Belangrijke informatie of nuttige gebruikstips.
-  Waarschuwing tegen gevaarlijke omstandigheden voor leven en eigendommen.
-  Waarschuwing tegen elektrische spanning.

INHOUD

1 Uw koelkast	4	4 Voorbereiding	15
2 Belangrijke veiligheidswaarschuwingen	5	5 Gebruik van uw koelkast	16
Bedoeld gebruik.....	5	Ontdooien van het apparaat.....	16
Algemene veiligheid	5	Koelen	17
Voor modellen met een drinkfontein	9	Bewaren van voedsel	17
Kinderbeveiliging	9	6 Onderhoud en reiniging	19
Voldoet aan de WEEE-richtlijn en de richtlijnen voor afvoeren van het restproduct:	9	Bescherming van de plastic oppervlakken	19
Voldoet aan RoHS-richtlijn:.....	10	7 Fouten opsporen	20
HC-waarschuwing	10		
Aanwijzingen ter besparing van energie.....	10		
3 Installatie	11		
Punten waarop gelet moet worden bij de verplaatsing van een koelkast	11		
Voordat u de koelkast inschakelt,.....	11		
Elektrische aansluiting	11		
Afvoeren van de verpakking.....	12		
Afvoeren van uw oude koelkast.....	12		
Plaatsing en installatie.....	12		
Stelvoetjes aanpassen.....	13		
Het vervangen van de lamp	13		
De deuren omkeren.....	14		

1 Uw koelkast



- | | |
|-----------------------------------|--------------------------------|
| 1. Afsluiting aan de bovenkant | 6. Groentelade |
| 2. Lekbak | 7. Verstelbare voetjes vooraan |
| 3. Binnenlampje & Thermostaatknop | 8. Deurschappen |
| 4. Verplaatsbare schappen | 9. Eierrek |
| 5. Deksel groentelade | 10. Flessenrek |

i De afbeeldingen in deze gebruiksaanwijzing zijn schematisch en hoeven niet exact met uw product overeen te komen. Wanneer onderdelen niet tot het product behoren dat u hebt gekocht, zijn deze geldig voor andere modellen.

2 Belangrijke veiligheidsaarschuwingen

Believe de volgende informatie goed te bestuderen.

Niet-inachtneming van deze informatie kan verwondingen of materiële schade veroorzaken.

In dat geval worden alle garanties en betrouwbaarheidsengagements ongeldig.

Originele reserveonderdelen worden geleverd gedurende een periode van 10 jaar vanaf de product aankoopdatum.

Bedoeld gebruik

⚠	WAARSCHUWING : Indien het apparaat in zijn beschermingskap is of geplaatst is, zorg ervoor dat de ventilatieopeningen niet gedekt zijn.
⚠	WAARSCHUWING: Gebruik geen mechanische apparaten of andere apparaten behalve apparaten welke door de producent worden geadviseerd om het proces voor ontdooien te versnellen.
⚠	WAARSCHUWING: Beschadig koelmiddelstroom circuit niet.
⚠	WAARSCHUWING : Gebruik geen elektrische apparaten welke niet aanbevolen worden door de producent binnen de opslag ruimten voor voedsel.

WAARSCHUWING:



Bewaar geen explosieve stoffen, zoals spuitbussen met een ontvlambaar drijfgas, in dit apparaat.

Dit apparaat is ontworpen om huiselijk gebruik of bij onderstaande soortgelijke gevallen gebruikt te worden.

- Voor het gebruik in personeel keukens bij winkels, bureaus en overige werkplaatsen;

- Voor het gebruik door klanten bij boerderijen en hotels, motels en overige plaatsen waar klanten kunnen verblijven.

- In omgevingen als hostels;

- Soortgelijke toepassingen welke geen diensten in verband met eten bieden of die niet kleinhandelaar zijn.

Algemene veiligheid

- Wanneer u het product wenst af te voeren, raden wij u aan de bevoegde onderhoudsdienst te raadplegen om de benodigde informatie en bevoegde instanties te leren kennen.
- Raadpleeg uw bevoegde onderhoudsdienst voor alle vragen en problemen met betrekking tot de koelkast. Voer geen ingrepen aan de koelkast uit en laat dit ook

niet door iemand anders doen zonder de bevoegde onderhoudsdienst op de hoogte te stellen.

- Voor producten met een diepvriesvak; Eet geen ijs of ijsblokjes meteen nadat u deze uit het diepvriesvak heeft gehaald. (Dit kan bevriezing in uw mond veroorzaken.)

- Voor producten met een diepvriesvak; Plaats geen flessen of blikjes met vloeibare dranken in het diepvriesvak Deze zouden kunnen barsten.

- Raak ingevroren levensmiddelen niet met de hand aan; deze kunnen aan uw hand vastplakken.

- Verwijder de stekker uit uw koelkast voor u deze reinigt of ontdoet.

- Bij het schoonmaken en ontdooien van de koelkast mogen geen stoom en stoomreinigers gebruikt worden. De stoom kan in contact komen met de elektrische onderdelen en kortsluiting of een elektrische schok veroorzaken.

- Gebruik geen onderdelen van uw koelkast zoals de deur als steun of opstapje.

- Gebruik geen elektrische apparaten binnen in de koelkast.

- Beschadig de onderdelen, waar de

koelvloeistof circuleert, niet door boor- of snijdgereedschap. De koelvloeistof kan naar buiten geblazen worden wanneer de gasleidingen van de verdamper, leidingverlengingen of oppervlaktecoatings worden doorboord en dit kan huidirritatie en oogletsel veroorzaken.

- Dek of blokkeer de ventilatieopeningen van uw koelkast met geen enkel materiaal.

- Elektrische toestellen mogen enkel door bevoegde personen worden hersteld. Reparaties die door onbevoegde personen worden uitgevoerd kunnen een risico voor de gebruiker opleveren.

- Sluit in geval van storing of tijdens onderhouds- of reparatiewerken de stroomtoevoer van de koelkast af door de zekering eruit te draaien of de stekker van het apparaat eruit te trekken.

- Bij het uittrekken van de stekker deze niet aan de kabel uittrekken.

- Zorg ervoor dat alcoholische dranken rechtop worden bewaard met dop goed gesloten.

- Bewaar nooit spuitbussen met een ontvlambare of explosieve inhoud in de koelkast.

- Gebruik geen andere mechanische gereedschappen of andere middelen om het ontdooiproces te versnellen dan deze aangeraden door de fabrikant.

- Dit product is niet bestemd voor gebruik door personen met een fysieke, zintuiglijke of mentale stoornis of ongeschoolde of onervaren mensen (inclusief kinderen) tenzij deze worden bijgestaan door een persoon die verantwoordelijk is voor hun veiligheid of die hen dienovereenkomstig instructies geeft bij het gebruik van het product

- Gebruik geen beschadigde koelkast. Neem contact op met de dealer als u vragen heeft.

- Elektrische veiligheid van uw koelkast wordt alleen gegarandeerd wanneer het aardingssysteem in uw huis aan de normen voldoet.

- Blootstelling van het product aan regen, sneeuw, zon en wind is gevaarlijk met betrekking tot de elektrische veiligheid.

- Neem contact op met een bevoegde dienst wanneer de stroomkabel beschadigd is om zo gevaar te voorkomen.

- Steek tijdens installatie nooit de stekker van de koelkast in de wandcontactdoos. Er bestaat

een kans op overlijden of serieus letsel.

- Deze koelkast is enkel bestemd voor het bewaren van voedsel. Hij mag niet voor andere doeleinden worden gebruikt.

- Het label met technische specificaties bevindt zich aan de linkerwand binnenin de koelkast.

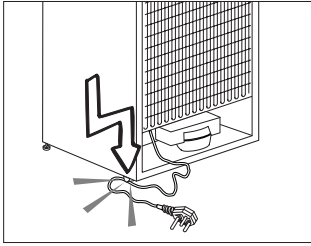
- Sluit je koelkast nooit aan op energiebesparende systemen; deze kunnen de koelkast beschadigen.

- Als er zich een blauwe lamp in uw koelkast bevindt, kijk hier dan niet voor een lange tijd in met het blote oog of met optische hulpmiddelen. Wacht minstens 5 minuten met het inschakelen van de koelkast na stroomuitval bij manueel bediende koelkasten.

- Deze gebruikershandleiding moet aan de nieuwe eigenaar van het toestel gegeven worden wanneer het toestel doorgegeven wordt.

- Vermijd schade aan de stroomkabel bij transport van de koelkasten. De kabel plooiën kan vuur veroorzaken. Plaats geen zware voorwerpen op de stroomkabel.

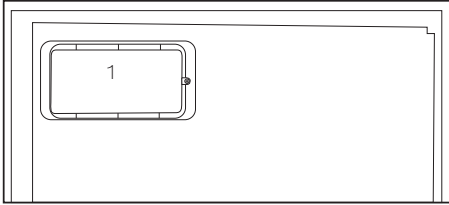
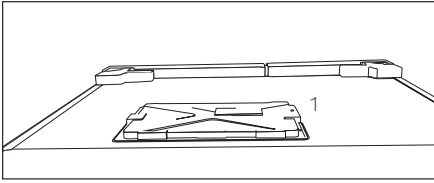
- Raak de stekker niet aan met natte handen wanneer deze in het stopcontact wordt geplaatst.



- Plaats de stekker van de koelkast niet in het stopcontact als dit stopcontact los is.
- Er mag om veiligheidsredenen geen water rechtstreeks op de binnen- of buitendelen van het toestel gesproeid worden.
- Sproei geen stoffen met ontvlambare gassen zoals propaangas dichtbij de koelkast om gevaar op vuur en ontploffing te voorkomen.
- Plaats geen containers gevuld met water op de koelkast; dit kan bij morsen elektrische schokken of vuur veroorzaken.
- Laad de koelkast niet te vol met voedsel. Indien de koelkast overladen is, kan voedsel naar beneden vallen bij het openen en u kwetsen of de koelkast beschadigen.
- Plaats geen objecten op de koelkast; deze kunnen naar beneden vallen wanneer u de deur open of dicht doet.
- Producten die een nauwkeurige temperatuurregeling

nodig hebben (vaccins, hittegevoelige medicatie, wetenschappelijke materialen, enz.) mogen niet in koelkast bewaard worden.

- De koelkast moet worden losgekoppeld indien deze langdurig niet wordt gebruikt. Een mogelijk probleem met de stroomkabel kan vuur veroorzaken.
- De koelkast kan bewegen als de stelvoetjes niet juist op de vloer worden vastgezet. De stelvoetjes juist vastzetten op de vloer kan voorkomen dat de koelkast beweegt.
- Hef de koelkast niet aan het handvat bij verplaatsing. Anders breekt het.
- Als u het product naast een andere koelkast of diepvriezer plaatst, moet de afstand hiertussen minstens 8 cm zijn. Anders kunnen aaneensluitende zijwanden nat worden.
- Gebruik het product nooit als de sectie boven- of achteraan op het product dat elektronische printplaten bevat, geopend is (elektronische printplaat deksel) (1).



Voor modellen met een drinkfontein

- De druk van de koud waterinlaat mag maximum 8 bar bedragen. Als uw waterdruk hoger is dan 5,5 bar moet u een drukbegrenzer gebruiken in uw netwerk. Als u niet weet hoe u uw waterdruk kunt controleren, moet u hulp vragen van een professionele loodgieter.
- Als het risico bestaat op een waterslageffect in uw installatie moet u altijd een waterslag preventie apparatuur installeren. Raadpleeg een professionele loodgieter als u niet zeker bent of er een waterslageffect aanwezig is in uw installatie.
- Installeer deze niet op de warme waterinlaat. Neem de nodige maatregelen tegen het bevriezen van de leidingen.

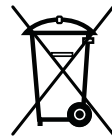
De watertemperatuur bedrijfsinterval moet minimum 0,6°C en maximum 38°C zijn.

- Gebruik enkel drinkwater.

Kinderbeveiliging

- Indien de deur een slot heeft, moet de sleutel buiten het bereik van kinderen worden gehouden.
- Kinderen moeten onder toezicht staan om te voorkomen dat ze met het product knoeien.

Voldoet aan de WEEE-richtlijn en de richtlijnen voor afvoeren van het restproduct:



Dit product voldoet aan de EU-richtlijn WEEE (2012/19/EU). Dit product is voorzien van een classificatiesymbool voor afvalsortering van elektrische en elektronische apparatuur (WEEE).

Dit product werd vervaardigd uit onderdelen en materialen van hoge kwaliteit die hergebruikt kunnen worden en geschikt zijn voor recycling. Gooi het restproduct aan het einde van zijn levensduur niet weg bij normaal huishoudelijk of ander afval. Breng het naar het verzamelpunt voor recycling van elektrische en elektronische apparatuur.

Raadpleeg uw plaatselijke autoriteiten om te weten waar u deze verzamelpunten aantreft.

Voldoet aan RoHS-richtlijn:

Het door u aangekochte product voldoet aan de EU-richtlijn RoHS (2011/65/EU). Het bevat geen schadelijke en verboden materialen die in deze richtlijn zijn opgenomen.

HC-waarschuwing

Als het koelsysteem van uw product R600a bevat:

Dit gas is ontvlambaar. Zorg daarom tijdens gebruik en transport dat het koelsysteem en de leidingen niet beschadigd raken. In het geval van schade: houd uw product weg van mogelijke ontstekingsbronnen die kunnen veroorzaken dat het product vuur vat en ventileer de ruimte waarin de unit is geplaatst.

Negeer deze waarschuwing als het koelsysteem van uw product R134a bevat.

Het type gas dat in dit product wordt gebruikt staat vermeld op de type-etiket aan de linkerwand binnenin de koelkast.

Gooi het product nooit in vuur voor verwijdering.

Aanwijzingen ter besparing van energie

- Houd de deuren van uw koelkast niet lang open.
- Plaats geen warme levensmiddelen of dranken in de koelkast.

- Overlaad de koelkast niet zodat luchtcirculatie aan de binnenzijde niet geblokkeerd wordt.

- Plaats de koelkast niet in direct zonlicht of naast warmteafgevend apparaten zoals een oven, vaatwasser of radiator. Houd uw koelkast minstens 30 cm verwijderd van warmteafgevend bronnen en minstens 5 cm van elektrische ovens.

- Bewaar uw levensmiddelen in gesloten bakjes.

- Voor producten met een diepvriesvak; U kunt een maximale hoeveelheid voedsel in de diepvries bewaren wanneer u de schappen of lade uit de diepvries verwijdert. De waarde voor energieconsumptie van uw diepvries werd vastgesteld door verwijdering van de diepvries schappen of laden en onder de maximum hoeveelheid. Er bestaat geen risico bij het gebruik van een schap of lade volgens de vorm en grootte van het in te vriezen voedsel.

- Bevroren voedsel in het koelgedeelte ontdooien laat toe om energie te besparen en behoudt de voedselkwaliteit.

3 Installatie

⚠ Indien de informatie die in deze gebruikershandleiding wordt gegeven, niet wordt opgevolgd, is de fabrikant in geen geval aansprakelijk.

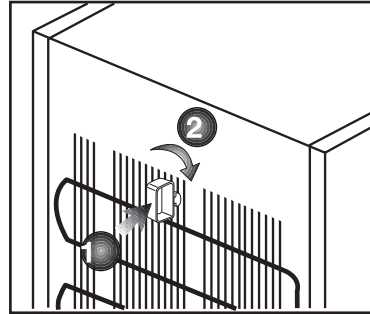
Punten waarop gelet moet worden bij de verplaatsing van een koelkast

1. Uw koelkast moet van de stroom zijn afgesloten. Voor het vervoer van uw koelkast moet deze leeg zijn gemaakt en gereinigd.
2. Voordat deze wordt verpakt, moeten schappen, accessoires, groentelade, enz. in de koelkast worden vastgemaakt met tape en beschermd zijn tegen stoten. De verpakking dient met dikke tape of geschikt touw worden ingebonden en de vervoerregels op de verpakking dienen strikt te worden nageleefd.
3. Originele verpakking en schuimmaterialen moeten worden bewaard voor toekomstig transport of verhuizen.

Voordat u de koelkast inschakelt,

Controleer het volgende voordat u uw koelkast gaat gebruiken:

1. Bevestig 2 plastic wiggen zoals hieronder afgebeeld. Plastic wiggen zijn bedoeld om afstand te houden, om zo een luchtcirculatie te behouden tussen uw koelkast en de muur. (De afbeelding is slechts een schets en is niet gelijk aan uw product.)



2. Maak de binnenkant van de koelkast schoon, zoals aanbevolen in het hoofdstuk "Onderhoud en reiniging".
3. Sluit de stekker van de koelkast aan op het stopcontact. Als de koelkastdeur wordt geopend, gaat de binnenverlichting van de koelkast aan.
4. Als de compressor begint te draaien, komt er een geluid vrij. De vloeistof en de gassen die zich in het koelsysteem bevinden, zouden ook wat lawaai kunnen veroorzaken zelfs wanneer de compressor niet werkt. Dit is normaal.
5. De buitenkant van de koelkast kan warm aanvoelen. Dit is normaal. Deze oppervlakken zijn bedoeld om warm te worden om condensvorming te voorkomen.

Elektrische aansluiting

Sluit uw apparaat aan op een geaard stopcontact, beschermd door een zekering met de juiste capaciteit. Belangrijk:

- De aansluiting moet in naleving zijn met nationale voorschriften.
- De stroomstekker moet na installatie eenvoudig bereikbaar zijn.

- Elektrische veiligheid van uw koelkast wordt alleen gegarandeerd wanneer het aardingssysteem in uw huis aan de normen voldoet.
- Het voltage op het etiket dat zich links binnenin uw product bevindt moet gelijk zijn aan uw netstroomvoltage.
- **Verlengkabels en verdeelstekkers mogen voor aansluiting niet worden gebruikt.**

⚠ Een beschadigde stroomkabel kabel moet door een gekwalificeerd elektricien worden vervangen.

⚠ Het product mag niet in werking worden gesteld voordat het gerepareerd is! Er bestaat anders gevaar op een elektrische schok!

Afvoeren van de verpakking

De verpakkingsmaterialen kunnen gevaarlijk zijn voor kinderen. Houd het verpakkingsmateriaal buiten bereik van kinderen of voer deze af conform afvalinstructies zoals bepaald door uw lokale autoriteiten. Gooi het niet weg met het normale huishoudafval, maar maak gebruik van ophaalplaatsen voor verpakkingen die door lokale autoriteiten zijn aangewezen.

De verpakking van uw koelkast is vervaardigd uit herbruikbare materialen.

Afvoeren van uw oude koelkast

Voer uw oude koelkast af zonder het milieu op enige wijze te schaden.

- U kunt uw bevoegde dealer of het afvalcentrum van uw gemeente raadplegen over het afvoeren van uw koelkast.

Voordat u uw koelkast afvoert, snijd de elektrische stekker af. Indien het apparaat is uitgevoerd met deursluitingen, dit slot dan onbruikbaar maken om kinderen tegen gevaar te beschermen.

Plaatsing en installatie

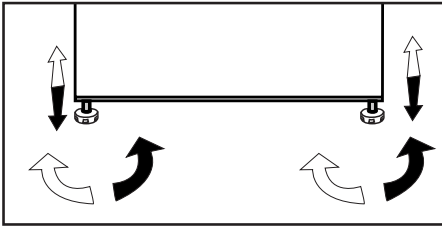
⚠ Als de toegangsdeur van de kamer waarin de koelkast wordt geïnstalleerd niet breed genoeg is voor de koelkast om erdoor te passen, bel dan de bevoegde dienst zodat deze de deuren van uw koelkast kan verwijderen en de koelkast zijdelings door de deur kan.

1. Installeer uw koelkast op een plaats waar deze gemakkelijk kan worden gebruikt.
2. Houd uw koelkast uit de buurt van warmtebronnen, vochtige plaatsen en direct zonlicht.
3. Er moet geschikte luchtventilatie rond uw koelkast zijn om een efficiënte werking te verkrijgen. Als de koelkast in een uitsparing in de muur wordt geplaatst, moet er minstens 5 cm afstand zijn ten opzichte van het plafond en minstens 5 cm ten opzichte van de muur. Plaats uw product niet op materialen zoals een kleden of vloerbedekking.
4. Plaats uw koelkast op een vlak vloeroppervlak om schokken te vermijden.

Stelvoetjes aanpassen

Wanneer uw koelkast niet waterpas staat;

U kunt uw koelkast waterpas stellen door aan de stelvoetjes te draaien zoals getoond in de afbeelding. De hoek van het stelvoetje wordt verlaagd wanneer u in de richting van de zwarte pijl draait en verhoogd wanneer u in de tegenovergestelde richting draait. Wanneer iemand u hierbij helpt door de koelkast lichtjes op te tillen vereenvoudigt dit het proces.



Het vervangen van de lamp

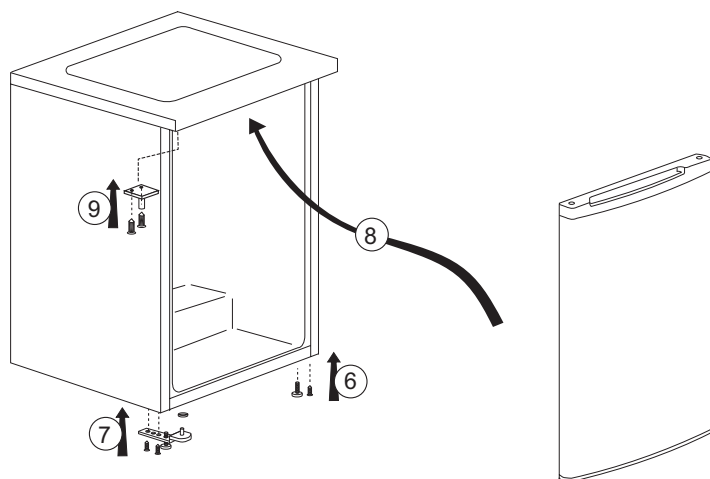
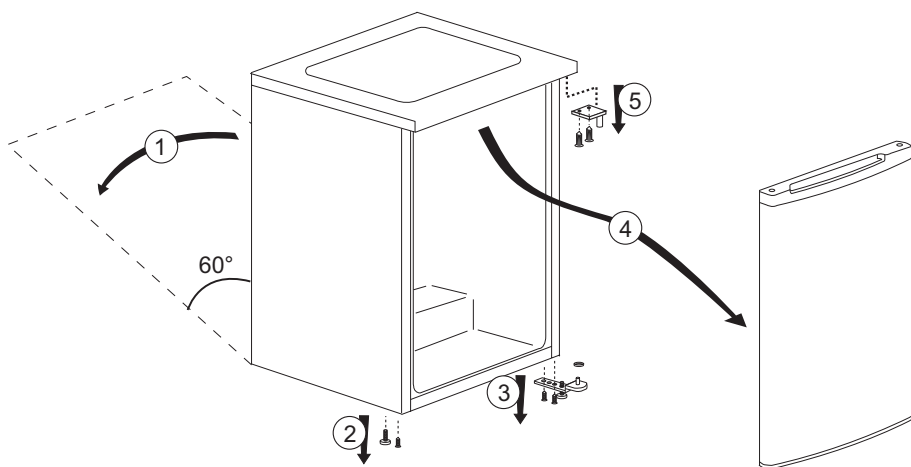
Om de lamp/led voor de binnenverlichting van uw koelkast te vervangen, bel uw bevoegde onderhoudsdienst.

De lamp of lampen voorzien in dit apparaat mogen niet worden gebruikt voor de verlichting van huishoudelijke ruimten. Het beoogde gebruik van deze lamp is de gebruiker te helpen etenswaren op veilige en comfortabele wijze in de koelkast/diepvriezer te plaatsen.

De lampen die in dit apparaat worden gebruikt moeten bestendig zijn tegen extreme fysieke omstandigheden, zoals temperaturen beneden de -20°C .

De deuren omkeren

Ga verder in numerieke volgorde.



4 Voorbereiding

i Uw koelkast moet worden geïnstalleerd op minstens 30 cm afstand van warmtebronnen zoals kookplaten, centrale verwarming en kachels en op minstens 5 cm afstand van elektrische ovens. De koelkast mag niet in direct zonlicht worden geplaatst.

De omgevingstemperatuur van de kamer waarin u de koelkast installeert dient minstens 5°C te zijn. In verband met efficiëntie wordt gebruik van uw koelkast in koudere omstandigheden niet aanbevolen.

i Controleer of de binnenzijde van uw koelkast volledig schoon is.

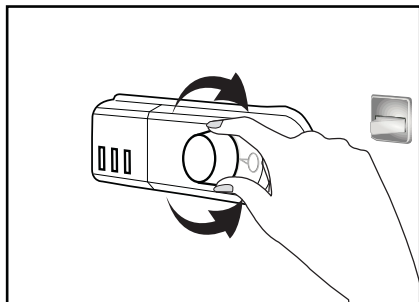
i Bij installatie van twee koelkasten naast elkaar, moeten de koelkasten op een afstand van minstens 2 cm van elkaar worden geplaatst.

i Wanneer u de koelkast voor de eerste keer in gebruik neemt, gelieve tijdens de eerste zes uur de volgende instructies in acht te nemen.

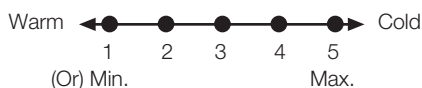
- De deur niet regelmatig openen.
- Koelkast moet in bedrijf gesteld worden zonder levensmiddelen.
- De stekker van de koelkast niet uittrekken. Indien er zich een stroomstoring voordoet buiten uw macht, zie de waarschuwingen in het deel "Aanbevolen oplossingen voor problemen".

i Originele verpakking en schuimmaterialen moeten worden bewaard voor toekomstig transport of verhuizen.

5 Gebruik van uw koelkast



De werkingstemperatuur wordt geregeld via de temperatuursturing.



**1 = Laagste koelinstelling
(Warmste instelling)**

**5 = Hoogste koelinstelling
(Koudste instelling)**

(Of)

**Min. = Laagste koelstand
(Warmste instelling)**

**Max. = Hoogste koelstand
(Koudste instelling)**

De gemiddelde koelkasttemperatuur moet ongeveer +5 °C bedragen.

Kies een stand afhankelijk van de gewenste temperatuur.

U kunt de werking van uw apparaat uitschakelen door de thermostaatknop in de stand "0" te draaien.

Merk op dat er in het koelgebied verschillende temperaturen zijn.

Het koudste gedeelte bevindt zich onmiddellijk boven het groentevak.

De binnentemperatuur hangt ook af van de omgevingstemperatuur, hoe vaak de deur geopend wordt en de hoeveelheid voedsel die binnenin bewaard wordt.

Wanneer u de deur vaak opent, stijgt de temperatuur in de koelkast.

Het is daarom raadzaam om de deur na elk gebruik zo snel mogelijk te sluiten.

Verwijder bij een omgevingstemperatuur van boven de 30 °C de uitlekbak voor een betere koelprestatie.

Het koudste gedeelte bevindt zich onmiddellijk onder het vriesvak.

Bij een hoge vochtigheidsgraad kan condensatie op uw koelkast ontstaan; dit is geen fout. Dit kan afgenomen worden met een droge doek volgens de veiligheidsinstructies. Ijsafzetting, rijp en condensatie zijn normaal voor het vriesvak en het waterafvoerreservoir.

Het water dat afkomstig is van het ontdooien loopt weg via de wateropvanggroef en stroomt in de verdampers via de afvoerleiding en verdampt daar zelf.

Ontdooien van het apparaat

Overmatige ijsvorming op de wanden van de diepvriezer kan de koelprestaties van uw apparaat nadelig beïnvloeden.

Ontdooi uw apparaat dus minstens twee keer per jaar of telkens wanneer de ijslaag dikker is dan 7 mm.

Ontdooi het apparaat wanneer het zo goed als of helemaal leeg is.

Neem het voedsel uit. Wikkel het voedsel in verschillende lagen krantenpapier of in een deken, en bewaar ze op een koude plaats.

Trek de stekker uit het stopcontact of schakel de zekering uit voordat u met ontdooien begint.

Verwijder de toebehoren (de rekken, de laden, enz.) uit het apparaat en gebruik een geschikte bak om het dooiwater op te vangen.

Gebruik indien nodig een spons of een zachte doek om het dooiwater in de vakken te verwijderen.

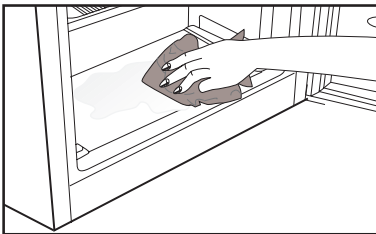
Laat de deur tijdens het ontdooien open.

Plaats bakken met warm water in het apparaat om het ontdooien te versnellen.

Gebruik nooit elektrische apparatuur, ontdooisprays of puntige of scherpe voorwerpen zoals messen of vorken om het ijs te verwijderen.

Nadat het ontdooien klaar is, reinig de binnenkant.

Steek de stekker van het apparaat opnieuw in het stopcontact. Leg de ingevroren etenswaren in de laden en schuif deze in de diepvriezer.



Schakel voordat u het ontdooiproces begint voor uw veiligheid de stroomonderbreker uit en trek de stekker uit het stopcontact.

Tijdens het ontdooien dient de regelklep van de verdampingsbak in de wintermodus te worden gezet. Na het ontdooien kan deze naar wens in de zomer- of wintermodus worden gezet.

Koelen

Bewaren van voedsel

Het koelkastgedeelte dient voor het bewaren van verse etenswaren en dranken.

Bewaar melkproducten in het daartoe bedoelde vak in de koelkast.

Flessen kunnen in de flessenhouder worden gezet of in het flessenvak van de deur.

Rauw vlees kan het best worden bewaard in een polyethyleen zak onderaan in de koelkast.

Laat hete voedingswaren en dranken eerst afkoelen tot kamertemperatuur voor u ze in de koelkast plaatst.

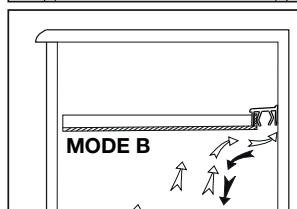
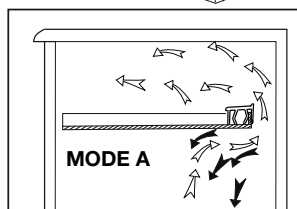
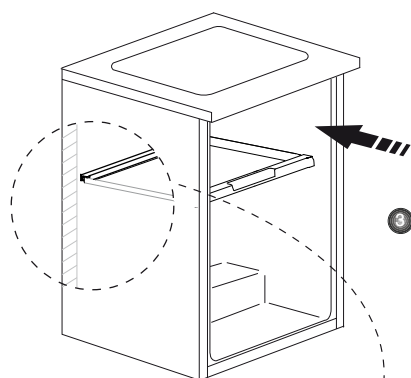
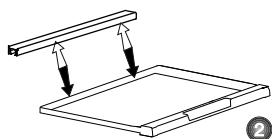
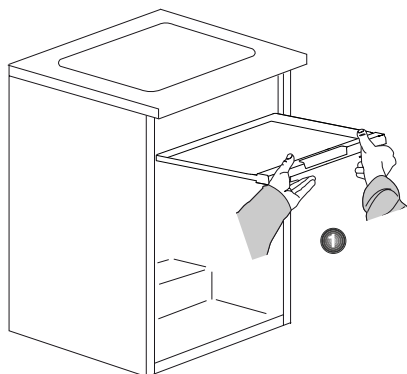
• Let op

Bewaar geconcentreerde alcohol in blik enkel rechtopstaand en goed afgesloten.

• Let op

Bewaar geen explosieve bestanddelen of containers met ontvlambaar drijfgas (slagroomverdelers, spuitbussen, enz.) in het apparaat.

Er bestaat een kans op explosie.



De regelklep van de verdampbak dient te worden gebruikt zoals hieronder beschreven om de gewenste temperatuur in de ruimte te behouden naar gelang van de omgevingstemperatuur. Hij heeft een wintermodus voor een koude omgevingstemperatuur en een zomermodus voor een warme omgevingstemperatuur.

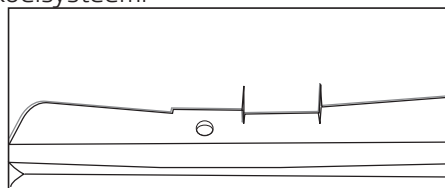
ZOMERMODUS

(Als een koelere temperatuur van de ruimte nodig is.)

WINTERMODUS

(Als een warmere temperatuur van de ruimte nodig is.)

De getoonde taps toelopende uitstulping is onderdeel van het ontwerp en heeft geen invloed op het koelsysteem.



6 Onderhoud en reiniging

- ⚠ Gebruik nooit benzine, benzeen of gelijksoortige substanties voor het reinigingswerk.
- ⚠ Wij bevelen aan dat u de stekker uit het toestel trekt voordat u met reinigen begint.
- ⚠ Gebruik nooit scherpe voorwerpen, zeep, huishoudproducten, afwasmiddel of boenwas om te poetsen.
- ⓘ In producten die geen No Frost hebben ontstaan er op de achterwand van het koelvak waterdruppels en een vingerdikke ijslaag. Maak het niet schoon; doe er nooit olie op soortgelijke middelen op.
- ⓘ Gebruik uitsluitend licht vochtige microvezeldoeken om de buitenkant van het product schoon te maken. Sponzen en andere soorten schoonmaakdoeken kunnen het oppervlak krassen.
- ⓘ Gebruik lauwwarm water om de kast van uw koelkast schoon te maken en wrijf deze droog.
- ⓘ Gebruik een vochtige doek, uitgewrongen in een oplossing van één koffielepel natriumbicarbonaat voor 50 cl water, om de binnenkant schoon te maken en wrijf vervolgens droog.
- ⚠ Zorg ervoor dat er geen water in de lamp en andere elektrische onderdelen binnensijpelt.
- ⚠ Als uw koelkast voor een lange periode niet zal worden gebruikt, trek dan de stroomkabel uit, verwijder alle etenswaren, maak de koelkast schoon en laat de deur op een kier staan.
- ⓘ Kijk de deurgrendels regelmatig na om u ervan te overtuigen dat ze schoon en vrij van etensresten zijn.
- ⚠ Om deurroosters te verwijderen, verwijder de inhoud en druk het deurrooster vervolgens eenvoudigweg naar boven vanaf de basis.
- ⚠ Gebruik nooit reinigingsmiddelen of water dat chloor bevat om de buitenkant en de verchromde onderdelen van het product te reinigen. Chloor veroorzaakt corrosie op dergelijke metalen oppervlakken.
- ⚠ Gebruik geen scherpe en schurende werktuigen of zeep, huishoudelijke reinigingsmiddelen, oplosmiddelen, benzine, benzeen, was, etc. Zo niet zullen stempels op plastic onderdelen loskomen en kunnen vervormingen optreden. Gebruik warm water en een zachte doek om te reinigen en te drogen.

Bescherming van de plastic oppervlakken

- ⓘ Plaats geen vloeibare olie of in olie bereide maatlijden in uw koelkast in onafgedichte bakjes. Deze kunnen de plastic oppervlakken van uw koelkast beschadigen. Mocht u olie morsen op de kunststof oppervlakken, reinig dit deel van het oppervlak dan direct met warm water en spoel af.

7 Fouten opsporen

Controleer de volgende punten voordat u de onderhoudsdienst belt. Dit kan u tijd en geld besparen. Deze lijst omvat regelmatige klachten die niet voortkomen uit defect vakmanschap of materiaalgebruik. Het is mogelijk dat bepaalde functies die hier beschreven zijn niet tot uw product behoren.

De koelkast werkt niet.

- De stekker zit niet op de juiste manier in het stopcontact. >>>Zorg ervoor dat de stekker veilig in het stopcontact wordt geplaatst.
- De zekering van het stopcontact waarop de koelkast is aangesloten of de hoofdzekering is gesprongen. >>>Controleer de zekering.

Condensvorming langs de wand van het koelgedeelte (MULTI ZONE, COOL CONTROL en FLEXI ZONE).

- Omgeving is erg koud. >>>Plaats de koelkast niet in een ruimte waar de temperatuur lager kan worden dan 10°C.
- De deur van de koelkast werd regelmatig open gemaakt. >>>Open en sluit de deur van de koelkast niet te veel.
- Omgeving is erg vochtig. >>>Plaats de koelkast niet in een vochtige ruimte.
- Voedsel met veel vloeistoffen wordt in open bakjes bewaard. >>>Bewaar dit soort voedsel in gesloten bakjes.
- De deur van de koelkast staat op een kier. >>>Sluit de deur van de koelkast.
- De thermostaat staat veel te laag. >>>Zet de thermostaat hoger.

De compressor draait niet

- Thermische bescherming van de compressor kan springen gedurende plotselinge stroomuitval of afsluiting van de stroomtoevoer wanneer de druk van het koelmiddel in het koelsysteem van de koelkast niet in balans is. De koelkast gaat na ongeveer 6 minuten draaien. Neem contact op met de onderhoudsdienst wanneer uw koelkast na deze periode niet start.
- De koelkast zit in een ontdooicyclus. >>>Dit is normaal voor een volledig automatisch ontdooiende koelkast. Ontdooicyclus vindt periodiek plaats.
- De stekker van de koelkast steekt niet in het stopcontact. >>>Zorg ervoor dat de stekker in het stopcontact zit.
- De temperatuuraanpassingen werden niet correct uitgevoerd. >>>Kiest een geschikte temperatuurwaarde.
- Er is een stroomstoring. >>>Zodra de storing is verholpen keert de koelkast terug naar normale werking.

Het werkingsgeluid neemt toe wanneer de koelkast werkt.

- De werking van de koelkast kan veranderen als gevolg van wijzigingen in de omgevingstemperatuur. Dit is normaal en geen defect.

De koelkast werkt frequent of gedurende lange tijd.

- Uw nieuwe product is mogelijk breder dan het vorige. Grote koelkasten werken langer.
- De omgevingstemperatuur kan hoog zijn. >>> Het is normaal dat het product langer draait in een warme omgeving.
- De stekker van de koelkast kan onlangs ingestoken zijn of de koelkast kan zijn volgeladen met etenswaren. >>> Wanneer de koelkast pas is ingeschakeld of kortgeleden werd gevuld, duurt het langer om de ingestelde temperatuur te bereiken. Dit is normaal.
- Grote hoeveelheden warme levensmiddelen kunnen recentelijk in de koelkast zijn geplaatst. >>> Plaats geen warm voedsel in de koelkast.
- Deuren werden regelmatig geopend of hebben enige tijd op een kier gestaan. >>> De warme lucht die in de koelkast is binnengekomen maakt dat de koelkast langer werkt. Open de deuren niet te dikwijls.
- De deur van het vries- of koelcompartiment is mogelijk op een kier blijven staan. >>> Controleer of de deuren goed gesloten zijn.
- De koelkast is zeer koud ingesteld. >>> Stel de koelkasttemperatuur hoger en wacht tot de temperatuur wordt bereikt.
- Deurafdichting van de koelkast of diepvriezer kan vuil, versleten, gebroken of niet goed geplaatst zijn. >>> Maak de afdichting schoon of vervang deze. Een beschadigde/ gebroken afdichting maakt dat de koelkast langer moet werken om de huidige temperatuur te handhaven.

Diepvriestemperatuur is erg laag terwijl de koelkasttemperatuur voldoende is.

- De diepvriestemperatuur is zeer koud ingesteld. >>> Stel de diepvriezertemperatuur hoger in en controleer.

Koelkasttemperatuur is erg laag terwijl de diepvriestemperatuur voldoende is.

- De temperatuur van het koelvak is zeer koud ingesteld. >>> Stel de koelkasttemperatuur hoger in en controleer.

Etenswaren die in laden van het koelgedeelte worden bewaard, bevroren.

- De temperatuur van het koelvak is zeer hoog ingesteld. >>> Stel de koelkasttemperatuur lager in en controleer.

Temperatuur in de koelkast of diepvriezer is zeer hoog.

<ul style="list-style-type: none"> De temperatuur van het koelvak is zeer hoog ingesteld. >>> De temperatuur van het koelvak heeft invloed op de temperatuur van de diepvriezer. Wijzig de temperatuur van de koelkast of de diepvriezer en wacht tot de betreffende compartimenten de gewenste temperatuur bereikt. Deuren werden regelmatig geopend of hebben enige tijd op een kier gestaan. >>> Open de deuren niet te vaak. De deur staat op een kier. >>> Sluit de deur volledig. De koelkast is pas ingeschakeld of werd recent geladen met voedsel. >>> Dit is normaal. Wanneer de koelkast net is ingeschakeld of kortgeleden werd gevuld, duurt het langer om de ingestelde temperatuur te bereiken. Grote hoeveelheden warme levensmiddelen kunnen recentelijk in de koelkast zijn geplaatst. >>> Plaats geen warm voedsel in de koelkast.
<ul style="list-style-type: none"> Vibratie of geluid.
<ul style="list-style-type: none"> De vloer is niet gelijk of stabiel. >>> Indien de koelkast schommelt bij enige beweging, moet u de stelvoetjes aanpassen. Zorg dat de vloer vlak en sterk genoeg is om de koelkast te dragen. De spullen die boven op de koelkast liggen kunnen geluid veroorzaken. >>> Verwijder deze van de bovenzijde van de koelkast.
<p>Er komt een geluid van morsende of sprayende vloeistof uit de koelkast.</p>

<ul style="list-style-type: none"> Vloeistof- en gasstromen vinden plaats conform de werkingsprincipes van uw koelkast. Dit is normaal en geen defect.
<p>Er komt een fluitend geluid van de koelkast.</p>
<ul style="list-style-type: none"> Er worden ventilatoren gebruikt om de koelkast te koelen. Dit is normaal en geen defect.
<p>Condens op de binnenwanden van de koelkast.</p>
<ul style="list-style-type: none"> Met warm en vochtig weer neemt ijs- en condensvorming toe. Dit is normaal en geen defect. Deuren werden regelmatig geopend of hebben enige tijd op een kier gestaan. >>> Open de deuren niet te vaak. Sluit ze wanneer ze open staan. De deur staat op een kier. >>> Sluit de deur volledig.
<p>Vocht aan de buitenkant van de koelkast of tussen de deuren.</p>
<ul style="list-style-type: none"> De lucht is mogelijk vochtig; dit is vrij normaal bij vochtig weer. Wanneer de vochtigheid minder wordt, zal de condens verdwijnen.
<p>Slechte geur binnenin de koelkast.</p>

- Ze wordt niet regelmatig schoongemaakt. >>>Maak de binnenkant van de koelkast regelmatig schoon met een spons met lauw water waarin eventueel wat carbonaat is opgelost.
- Sommige bakjes of verpakkingsmaterialen kunnen de geur veroorzaken. >>>Gebruik een ander bakje of ander soort verpakkingsmateriaal.
- Er is voedsel in de koelkast geplaatst in een open bakje. >>>Bewaar het voedsel altijd in een gesloten bakje. Micro-organismen die zich verspreiden vanuit containers zonder deksel kunnen onaangename geuren veroorzaken.
- Neem vervallen voedingswaren en gemorste gerechten altijd meteen uit de koelkast.

- Tijdens de werking kunnen tussen de twee deuren, de zijpanelen en de achterste grill hoge temperaturen worden waargenomen. Dit is normaal en behoeft geen serviceonderhoud!

De deur sluit niet.

- Voedselpakketjes kunnen er de reden van zijn dat de deur niet sluit. >>>Verplaats de verpakkingen die de deur belemmeren.
- De koelkast staat niet volledig waterpas op de vloer. >>>Stel de stelvoetjes bij om de koelkast waterpas te zetten.
- De vloer is niet gelijk of stevig. >>>Zorg dat de vloer vlak is en de koelkast kan dragen.

Groenteladen zitten vast.

- De levensmiddelen kunnen de bovenzijde van de lade raken. >>>Herschik de levensmiddelen in de lade.

Als Het Oppervlak Van Het Product Heet Is.

beko

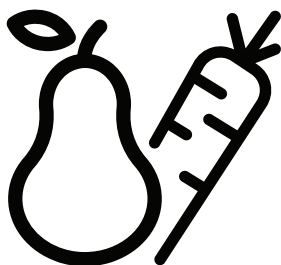
Chłodziarka
Instrukcja użytkownika

Frigorífico
Manual do Utilizador

Refrigerador
Manual del usuario

Хладилник
Ръководство за употреба

Холодильник
Посібник користувача



TS 190320 - TS 190340N

PL / PT / ES / BG / UK



PAPIER Z RECYKLINGU I
NADAJĄCY SIĘ DO PONOWNEGO
PRZETWORZENIA



PAPEL RECICLADO E
RECICLÁVEL



PAPEL RECICLADO Y
RECICLABLE



РЕЦИКЛИРАНА И
РЕЦИКЛЕРУЕМА ХАРТИЯ

CE



ПАПІР НА ІЗ ВТОРИННОЇ
СИРОВИНИ ТА
МАКУЛАТУРИ

Prosimy najpierw przeczytać tę instrukcję obsługi!

Droży Klienci,

Mamy nadzieję, że nasz wyrób, wyprodukowany w nowoczesnym zakładzie i sprawdzony według najbardziej drobiazgowych procedur kontroli jakości, będzie Wam dobrze służył.




Dlatego zalecamy, aby uważnie przeczytać całą instrukcję obsługi tego wyrobu przed jego uruchomieniem i zachować ją do wglądu w przyszłości.

Instrukcja niniejsza

- Pomoże używać tego urządzenia sprawnie i bezpiecznie.
- Przeczytajcie tę instrukcję przed zainstalowaniem i uruchomieniem lodówki.
- Postępujcie zgodnie z tymi wskazówkami, zwłaszcza dotyczącymi bezpieczeństwa.
- Przechowujcie tę instrukcję w łatwo dostępnym miejscu, bo może się przydać później.
- Prosimy przeczytać także inne dokumenty dostarczone wraz z lodówką. Instrukcja ta może odnosić się także do innych modeli.

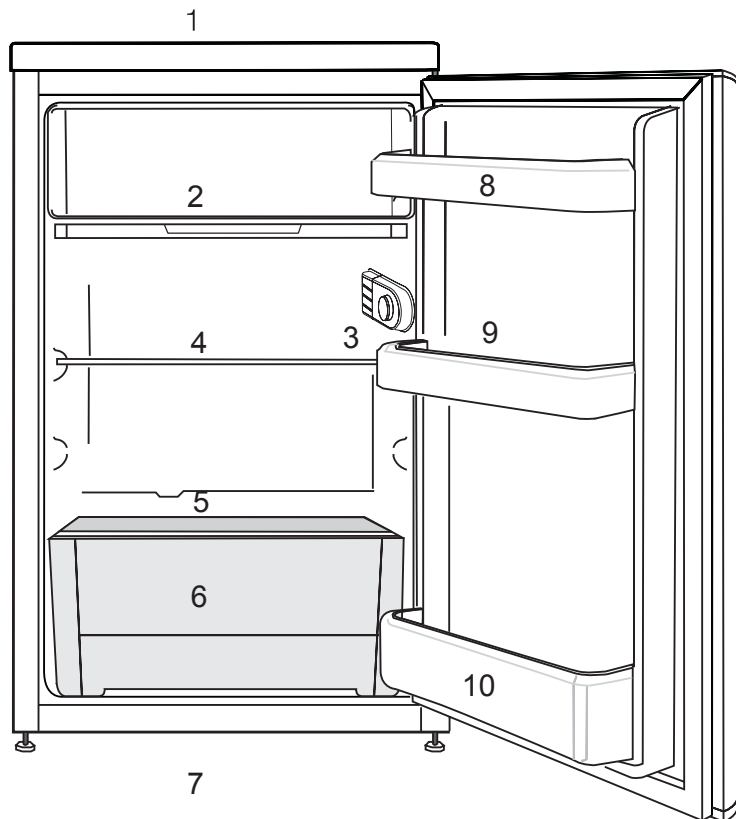
Symbole i ich znaczenie

Niniejsza instrukcja obsługi zawiera następujące symbole:

-  Ważne informacje lub przydatne wskazówki użytkownika.
-  Ostrzeżenie przed zagrożeniem życia i mienia.
-  Ostrzeżenie przed porażeniem elektrycznym.

1 Zakupiona chłodziarka	4	4 Przygotowanie	16
2 Ważne ostrzeżenia dot. bezpieczeństwa	5	5 Obsługa chłodziarki	17
Zamierzone przeznaczenie	5	Rozmrażanie zamrażarki	17
Ogólne zasady bezpieczeństwa.....	5	Chłodzenie.....	18
Dla modeli z wodotryskiem	9	Przechowywanie żywności.....	18
Bezpieczeństwo dzieci	10	6 Konserwacja i czyszczenie	20
Zgodność z dyrektywą WEEE i usuwanie odpadów:	10	Zabezpieczenia powierzchni plastykowych	20
Zgodność z dyrektywą RoHS:.....	10	7 Zalecane rozwiązania problemów	21
Informacje opakowaniu	11		
Ostrzeżenie HC.....	11		
Co robić, aby oszczędzać energię.....	11		
3 Instalacja	12		
Przed uruchomieniem chłodziarki	12		
Połączenia elektryczne	13		
Usuwanie opakowania.....	13		
Utylizacja starej chłodziarki	13		
Ustawienie i instalacja	13		
Regulacja nóżek	14		
Wymiana lampki oświetlenia	14		
Przekładanie drzwi	15		

1 Zakupiona chłodziarka






- | | |
|---|-------------------------------|
| 1. Obramowanie górne | 6. Pojemnik na świeże warzywa |
| 2. Tacka ściekowa | 7. Nastawiane nóżki przednie |
| 3. Oświetlenie wewnętrzne i pokrętło termostatu | 8. Półki w drzwiach |
| 4. Półka ruchoma | 9. Tacka na jajka |
| 5. Pokrywa pojemnika na świeże warzywa | 10. Półka na butelki |

! Rysunki w niniejszej instrukcji to tylko schematy i nie muszą ściśle odpowiadać Waszemu modelowi lodówki. Jeśli pewnych części nie ma w Waszej chłodziarce, to znaczy, że odnoszą się do innych modeli.

2 Ważne ostrzeżenia dot. bezpieczeństwa

Prosimy przeczytać następujące ostrzeżenia. Ich nieprzestrzeganie grozi obrażeniami lub uszkodzeniem mienia. W takim przypadku tracą ważność wszelkie gwarancje i zapewnienia niezawodności.

Oryginalne części zamienne będą dostępne przez 10 lat od daty zakupu produktu.

	OSTRZEŻENIE: Nie blokuj otworów w e n t y l a c y j n y c h urządzeniach ani w zabudowie.
	OSTRZEŻENIE: Nie używaj urządzeń mechanicznych, ani innych środków do przyspieszenia procesu rozmrażania, poza tymi, które zaleca producent.
	OSTRZEŻENIE: Nie uszkodź obiegu chłodzącego.
	OSTRZEŻENIE: Nie używaj urządzeń elektrycznych w komorze do przechowywania żywności, chyba, że są rekomendowane przez producenta.

Urządzenie to jest przeznaczone do użytku domowego lub w podobnych miejscach, np.

- w kuchniach personelu sklepu, biur i innych środowisk pracy;

- gospodarstwa rolne, przez klientów hoteli, moteli i innych miejsc typu mieszkalnego
- pensjonaty;
- catering i podobne aplikacje niehandlowe

Zamierzone przeznaczenie

- Urządzenie można używać wyłącznie w gospodarstwie domowym oraz;
- na zapleczu kuchennych personelu w sklepach, biurach i w innych miejscach pracy;
- w kuchniach wiejskich i przez gości hotelowych, w motelach i innych tego rodzaju miejscach;
- w pensjonatach serwujących nocleg ze śniadaniem;
- cateringu i w innych tego rodzajach zastosowaniach niedetalicznych.
- Nie należy używać jej na dworze. Nie nadaje się do użytkowania na dworze, nawet w miejscach zadaszonych.

Ogólne zasady bezpieczeństwa

- Gdy zechcecie pozbyć się tego urządzenia/ złomować je, zalecamy skonsultowanie się z autoryzowanym serwisem, aby uzyskać potrzebne informacje i poznać kompetentne organa.

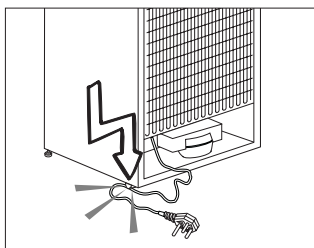
- Konsultujcie się z Waszym autoryzowanym serwisem w sprawach wszelkich pytań i problemów związanych z tą lodówką. Bez powiadomienia autoryzowanego serwisu nie wolno samemu ani innym osobom naprawiać chłodziarki.
- Nie jedźcie lodów ani lodu bezpośrednio po wyjęciu ich z zamrażalnika! (Może to spowodować odmrożenia w ustach).
- Nie wkładajcie do zamrażalnika napojów w puszkach ani w butelkach. Mogą wybuchnąć.
- Nie dotykajcie palcami mrożonej żywności, bo może do nich przylgnąć.
- Do czyszczenia i rozmrażania lodówki nie wolno stosować pary ani środków czyszczących w tej postaci. W takich przypadkach para może zetknąć się z częściami urządzeń elektrycznych i spowodować zwarcie albo porażenie elektryczne.
- Nie wolno używać żadnych części lodówki, takich jak drzwiczki, jako podpory ani stopnia.
- Wewnątrz lodówki nie wolno używać urządzeń elektrycznych.
- Nie wolno uszkadzać obwodu chłodzącego, w którym krąży środek chłodzący, narzędziami do wiercenia i cięcia. Środek chłodzący, który może wybuchnąć skutkiem przedziurawienia przewodów gazowych parownika, przedłużeń rur lub powłok powierzchni, może spowodować podrażnienia skóry lub obrażenia oczu.
- Nie przykrywajcie żadnym materiałem ani nie blokujcie otworów wentylacyjnych w lodówce.
- Urządzenia elektryczne naprawiać mogą tylko wykwalifikowani fachowcy. Naprawy wykonywane przez osoby niekompetentne mogą powodować zagrożenie dla użytkowników.
- W razie jakiegokolwiek awarii, a także w trakcie prac konserwacyjnych lub napraw, odłączcie lodówkę od zasilania z sieci albo wyłączając odnośny bezpiecznik, albo wyjmując wtyczkę z gniazdka.
- Wyjmując przewód zasilający z gniazdka należy ciągnąć za wtyczkę, nie za przewód.
- Napoje o wyższej zawartości alkoholu wkładajcie do lodówki w ściśle zamkniętych naczyniach i w pozycji pionowej.
- Upewnij się, że wysokoprocentowe napoje alkoholowe są bezpiecznie przechowywane, szczelnie zamknięte i w pozycji pionowej.
- W celu przyspieszenia procesu rozmrażania lodówki

nie należy używać żadnych urządzeń mechanicznych ani innych środków poza zalecanymi przez jej producenta.

- Urządzenie to nie jest przeznaczone do obsługi przez osoby (w tym dzieci) z ograniczoną sprawnością fizyczną, zmysłową lub umysłową, czy bez odpowiedniego doświadczenia i umiejętności, o ile nie zapewni się im nadzoru lub instrukcji jego użytkownika ze strony osoby odpowiedzialnej za ich bezpieczeństwo.
- Nie uruchamiajcie lodówki, jeśli jest uszkodzona. W razie wątpliwości należy się skonsultować z serwisem.
- Bezpieczeństwo elektryczne tej lodówki gwarantuje się tylko jeśli system uziemienia Waszej instalacji domowej spełnia wymogi norm.
- Wystawianie tego urządzenia na działanie deszczu, śniegu, słońca i wiatru zagraża jego bezpieczeństwu elektrycznemu.
- W razie uszkodzenia przewodu zasilającego itp. skontaktujcie się z autoryzowanym serwisem, aby nie narażać się na zagrożenie.
- W trakcie instalowania chłodziarki nigdy nie wolno włączać wtyczki w gniazdko w ścianie. Może to zagrażać

śmiercią lub poważnym urazem.

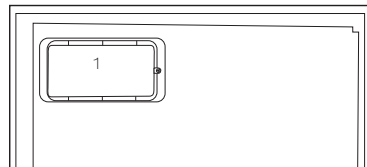
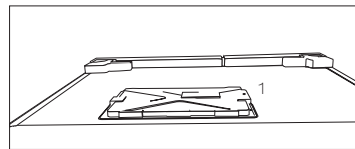
- Chłodziarka ta służy wyłącznie do przechowywania żywności. Nie należy jej używać w żadnym innym celu.
- Etykieta z danymi technicznymi chłodziarki umieszczona jest po lewej stronie w jej wnętrzu.
- Nie przyłączaj tej chłodziarki do systemu oszczędzania energii, ponieważ może to ją uszkodzić.
- Jeśli na chłodziarce pali się niebieska lampka, nie należy patrzeć na nie dłuższy czas nieosłoniętymi oczami ani przez przyrządy optyczne.
- Jeśli od ręcznie nastawianej chłodziarki odłączy się zasilanie, prosimy odczekać co najmniej 5 minut, zanim ponownie się je załączy.
- Jeżeli zmieni się właściciel tej chłodziarki, niniejszą instrukcję obsługi należy przekazać wraz z nią nowemu właścicielowi.
- Przy przesuwaniu chłodziarki uważaj, żeby nie uszkodzić przewodu zasilającego. Aby zapobiec pożarowi nie wolno skręcać tego przewodu. Nie ustawiać na przewodzie żadnych ciężkich przedmiotów. Gdy wtyczka chłodziarki jest wsadzona do gniazdko nie wolno jej dotykać wilgotnymi dłońmi.



- Podczas ustawiania urządzenia należy się upewnić, że przewód zasilający nie został przytrzaśnięty ani nie jest uszkodzony.
- Nie umieszczać przenośnej listwy zasilającej ani przenośnych zasilaczy z tyłu urządzenia.
- Dzieci w wieku od 3 do 8 lat mogą wkładać żywność do chłodziarek i wyjmować ją.
- Aby uniknąć zanieczyszczenia żywności, należy przestrzegać poniższych wskazówek:
 - – Otwarcie drzwi na dłuższy czas może spowodować znaczny wzrost temperatury w komorach chłodziarki.
 - – Regularnie czyścić powierzchnie, które mogą mieć kontakt z żywnością i dostępnymi systemami odpływowymi.
 - – Oczyszczyć zbiorniki wody, jeśli nie były używane przez 48 godz.; przepłukać system wodny podłączony do dopływu, jeśli woda nie była pobierana przez 5 dni.
- – Surowe mięso i ryby należy przechowywać w odpowiednich pojemnikach w lodówce, tak aby się z nimi nie stykały ani nie skapywały na inną żywność.
- – Komory na żywność mrożoną oznaczone dwiema gwiazdkami nadają się do przechowywania żywności wstępnie zamrożonej, przechowywania lub wytwarzania lodów oraz robienia kostek lodu.
- – Komory oznaczone jedną, dwiema lub trzema gwiazdkami nie nadają się do zamrażania świeżej żywności.
- – Jeżeli urządzenie chłodnicze ma być przez dłuższy czas puste, należy je wyłączyć, rozmrozić, oczyścić, wysuszyć i pozostawić otwarte drzwi, aby zapobiec rozwojowi pleśni wewnątrz urządzenia.
- Nie wsadzać wtyczki chłodziarki do obluzowanego gniazdka.
- Ze względów bezpieczeństwa nie pryskaj wodą bezpośrednio na zewnętrzne ani na wewnętrzne części chłodziarki.
- Ze względu na zagrożenie pożarem i wybuchem nie rozpylaj łatwopalnych materiałów, takich jak gaz propan itp., w pobliżu chłodziarki.
- Nie stawiaj na chłodziarce przedmiotów wypełnionych wodą, ponieważ grozi to

- porażeniem elektrycznym lub pożarem.
- Nie przeciążaj chłodziarki nadmierną ilością żywności. Nadmiar żywności może wypaść, gdy otwiera się drzwiczki, narażając użytkownika na obrażenia ciała lub uszkodzenie chłodziarki. Nie wolno stawiać żadnych przedmiotów na chłodziarce, ponieważ mogą spaść przy otwieraniu lub zamykaniu drzwiczek.
- W chłodziarce nie należy przechowywać żadnych materiałów, które wymagają utrzymania w pewnej temperaturze, takich jak szczepionki, lekarstwa, wrażliwe na temperaturę, materiały do badań naukowych itp.
- Jeśli chłodziarka ma być nieużywana przez dłuższy czas, należy wyjąć jej wtyczkę z gniazdka. Uszkodzenie izolacji elektrycznej przewodu zasilającego może spowodować pożar.
- Jeśli nastawialne nóżki nie stoją pewnie na podłodze, chłodziarka może się przesunąć. Prawidłowa regulacja nóżek chłodziarki zapewnia jej stabilność na podłodze.
- Jeśli chłodziarka ma klamkę w drzwiach nie należy ciągnąć za nią, gdy przesuwa się chłodziarkę, ponieważ można w ten sposób odłączyć ją od chłodziarki.

- Jeśli musisz ustawić chłodziarkę obok innej chłodziarki lub zamrażarki, odległość między tymi urządzeniami musi wynosić co najmniej 8 mm. W przeciwnym razie na ich ustawionych naprzeciw siebie bocznych ścianach może skraplać się wilgoć.
- Używaj wyłącznie wody pitnej.
- Nigdy nie korzystaj z urządzenia, jeśli górna lub tylna jego część, zawierająca płytki obwodów drukowanych jest otwarta (osłona płytki obwodów drukowanych) (1).



Dla modeli z wodotryskiem

- Maksymalnie dopuszczalne ciśnienie dla dopływu zimnej wody wynosi 6,2 bara (90 psi). Jeśli ciśnienie wody w Państwa instalacji przekroczy 5,5 bara (80 psi), należy zastosować zawór ograniczający ciśnienie w Państwa sieci wodociągowej.

Jeśli nie wiesz Państwo w jaki sposób sprawdzić ciśnienie wody, prosimy poprosić o pomoc profesjonalnego hydraulika.

- Jeśli w Państwa instalacji występuje ryzyko uderzenia wodnego, należy zawsze stosować wyposażenie zapobiegające przed uderzeniem wodnym. Jeśli nie mają Państwo pewności co do występowania efektu uderzenia wodnego w swojej instalacji, prosimy zasięgnąć porady u profesjonalnego hydraulika.
- Nie podłączać do dopływu ciepłej wody. Zachować środki ostrożności przed ryzykiem zamarznięcia przewodów. Temperatura robocza wody powinna mieścić się w zakresie od 0,6°C (33°F) do 38°C (100°F).
- Należy używać tylko wody pitnej.

Bezpieczeństwo dzieci

- Jeśli drzwiczki zamykane są na klucz, należy go chronić przez dostępem dzieci.
- Należy zapewnić opiekę dzieciom, aby nie bawiły się lodówką.

Zgodność z dyrektywą WEEE i usuwanie odpadów:



Niniejszy wyrób jest Symbol na wyrobie lub opakowaniu oznacza, że wyrób ten nie może być traktowany jako odpadki domowe. Zamiast tego należy je dostarczyć do właściwego punktu zbierania surowców wtórnych z urządzeń elektrycznych i elektronicznych. Zapewniając odpowiednie złomowanie tego wyrobu przyczyniamy się do zapobiegania potencjalnie szkodliwym konsekwencjom dla środowiska naturalnego oraz zdrowia ludzi, które w przeciwnym razie mogłyby być spowodowane nieprawidłowym jego nieodpowiednim złomowaniem. Aby uzyskać bardziej szczegółowe informacje o odzyskiwaniu surowców wtórnych z tego wyrobu, prosimy skontaktować się ze swym organem administracji lokalnej, służbą oczyszczania miasta lub ze sklepem, gdzie wyrób ten został zakupiony..

Zgodność z dyrektywą RoHS:

Niniejszy wyrób jest zgodny z dyrektywą Parlamentu Europejskiego i Rady RoHS (Ograniczenie użycia substancji niebezpiecznych) (2011/65/WE). Nie zawiera szkodliwych i zakazanych materiałów, podanych w tej dyrektywie.

Informacje opakowaniu

Materiały opakowania tego wyrobu są wykonane z surowców wtórnych, zgodnie z naszymi krajowymi przepisami dotyczącymi ochrony środowiska. Materiałów opakunkowych nie wolno wyrzucać z odpadami z gospodarstwa domowego lub innymi. Należy przekazać je do punktu zbiórki surowców wtórnych.

Ostrzeżenie HC

Jeśli chłodziarka ta wyposażona jest w system chłodniczy zawierający R600a:

Gaz ten jest łatwopalny. Należy zatem uważać, aby w trakcie jego użytkowania i transportu nie uszkodzić systemu i przewodów chłodzenia. W razie uszkodzenia, należy trzymać chłodziarkę z dala od potencjalnych źródeł ognia, które mogą spowodować jej pożar i należy wietrzyć pomieszczenie, w którym jest umieszczona.

Prosimy zignorować to ostrzeżenie, jeśli chłodziarka ta wyposażona jest w system chłodniczy zawierający R134a.

Oznaczenie gazu zastosowanego w danej chłodziarce można odczytać z tabliczki znamionowej umieszczonej z lewej strony w jej wnętrzu.

Nie należy złomować chłodziarki przez jej spalanie.

Co robić, aby oszczędzać energię.

- Nie zostawiajcie drzwiczek lodówki otwartych na dłużej.
- Nie wkładajcie do lodówki gorących potraw ani napojów.

- Nie przeładowujcie lodówki tak, aby przeszkadzało to w krążeniu powietrza w jej wnętrzu.
- Nie instalujcie lodówki tam, gdzie narażona będzie na bezpośrednie działanie słońca ani w pobliżu urządzeń wydzielających ciepło takich jak piecyki, zmywarki do naczyń lub grzejniki.
- Pamiętajcie, aby żywność przechowywać w zamkniętych pojemnikach.
- Po wyjęciu półki lub szuflady z komory zamrażalnika można do niego włożyć maksymalną ilość żywności. Deklarowane zużycie energii przez chłodziarkę określono przy półce lub szufladzie wyjętej z komory zamrażania i przy maksymalnym wypełnieniu żywnością. Używanie półki lub szuflady odpowiednio do kształtów i rozmiarów zamrażanej żywności jest bezpieczne.

3 Instalacja

i Należy pamiętać, że producent nie ponosi odpowiedzialności, jeśli są ignorowane informacje podane w niniejszej instrukcji.

1. W razie potrzeby ponownego transportu chłodziarki należy przestrzegać następujących wskazówek:
2. Przed transportem należy chłodziarkę opróżnić i oczyścić.
3. Przed ponownym zapakowaniem chłodziarki, półki, akcesoria, pojemnik na warzywa itp. należy przymocować taśmą klejącą zabezpieczając je przed wstrząsami.
4. Opakowanie należy obwiązać grubą taśmą i silnymi sznurkami i przestrzegać reguł transportu wydrukowanych na opakowaniu.

Prosimy pamiętać...

Wszystkie surowce wtórne stanowią niezwykłe źródło oszczędności zasobów naturalnych i krajowych.

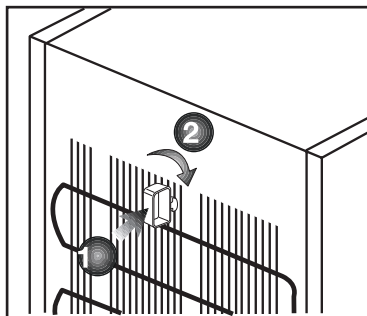
Osoby pragnące przyczynić się do wtórnego wykorzystania materiałów opakunkowych, mogą uzyskać dodatkowe informacje od instytucji ochrony środowiska lub władz lokalnych.

Przed uruchomieniem chłodziarki

Przed rozpoczęciem użytkowania chłodziarki, należy sprawdzić:

1. Czy wewnątrz chłodziarki jest suche i czy powietrze może swobodnie krążyć za chłodziarką?
2. Wsadź 2 plastikowe kliny w tylną płytę wentylacyjną, jak pokazano na poniższym rysunku. Kliny

plastyczne zapewniają odstęp pomiędzy chłodziarką a ścianą wymagany do umożliwienia krążenia powietrza.



3. Oczyścić wewnątrz chłodziarki, zgodnie z zaleceniami podanymi w rozdziale „Konserwacja i czyszczenie”.
4. Włączyć wtyczkę chłodziarki w gniazdko w ścianie. Po otwarciu drzwiczek chłodziarki zapali się światło we wnętrzu jej komory chłodzenia.
5. Po uruchomieniu sprężarki słyszalny będzie jej szum. Płyn i gazy zawarte w systemie chłodzenia także mogą powodować szumy, nawet jeśli nie działa sprężarka i jest to zupełnie normalne.
6. Przednie krawędzie chłodziarki mogą się nagrzewać. Jest to całkiem normalne. Te miejsca mogą się nagrzewać, zapobiegając skraplaniu się pary.

Połączenia elektryczne

Lodówkę przyłącza się do gniazdka z uziemieniem zabezpieczonego bezpiecznikiem o odpowiedniej wydajności.

Ważne:

- Przyłączenie lodówki musi być zgodne z przepisami krajowymi.
- Po instalacji wtyczka zasilania musi być łatwo dostępna.
- Podane tam napięcie musi być równe napięciu w Waszej sieci zasilającej.
- Do przyłączenia nie można używać przedłużaczy, ani przewodów z wieloma wtyczkami.

⚠ Uszkodzony przewód zasilający musi wymienić upoważniony i wykwalifikowany elektryk.

⚠ Nie można ponownie uruchomić produktu przed jego naprawieniem! Grozi to porażeniem elektrycznym!

Usuwanie opakowania

Materiały opakunkowe mogą być niebezpieczne dla dzieci. Należy chronić materiały opakunkowe przed dostępem dzieci, albo usunąć je zgodnie z instrukcją odpowiednią dla odpadków ich kategorii. Nie można pozbywać się ich w taki sam sposób, jak innych odpadków domowych.

Opakowanie tej chłodziarki wyprodukowano z surowców wtórnych.

Utylizacja starej chłodziarki

Starej chłodziarki należy pozbyć się tak, aby nie zaszkodzić środowisku naturalnemu.

- W sprawie złomowania lodówki możecie skonsultować się z autoryzowanym sprzedawcą lub punktem zbiórki surowców wtórnych w swojej miejscowości.

Przed złomowaniem lodówki należy odciąć wtyczkę zasilania elektrycznego, a jeśli w drzwiczkach są jakieś zamki, należy je trwale uszkodzić, aby zapobiec zagrożeniu dzieci.

Ustawienie i instalacja

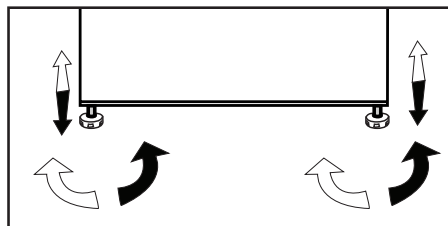
⚠ Jeśli drzwiczki wejściowe do pomieszczenia, w którym ma być zainstalowana chłodziarka, są zbyt wąskie, aby chłodziarka mogła przez nie przejść, należy wezwać autoryzowany serwis, który zdejmie z niej drzwiczki i przeniesie ją bokiem przez drzwi.

1. Chłodziarkę należy zainstalować w miejscu, w którym łatwo będzie ją używać.
2. Chłodziarka musi stać z dala od źródeł ciepła, miejsc wilgotnych i bezpośrednio nastłonecznionych.
3. Aby uzyskać wydajną pracę chłodziarki, należy zapewnić odpowiednią wentylację wokół niej. Jeśli chłodziarka ma stanąć we wnęcie w ścianie, należy zachować co najmniej 5 cm odstęp od sufitu i ściany. Jeśli podłoga pokryta jest wykładziną dywanową, chłodziarka musi stać 2,5 cm ponad powierzchnią podłogi.

4. Aby uniknąć wstrząsów, chłodziarkę należy ustawić na równej powierzchni podłogi.

Regulacja nóżek

Jeśli chłodziarka nie stoi równo; Można wyrównać jej ustawienie obracając przednie nóżki, tak jak pokazano na rysunku. Narożnik lodówki obniża się obracając nóżkę w tym narożniku w kierunku czarnej strzałki, lub podnosi obracając nóżkę w przeciwnym kierunku. Takie działanie ułatwi lekkie uniesienie chłodziarki z pomocą innej osoby.



Wymiana lampki oświetlenia

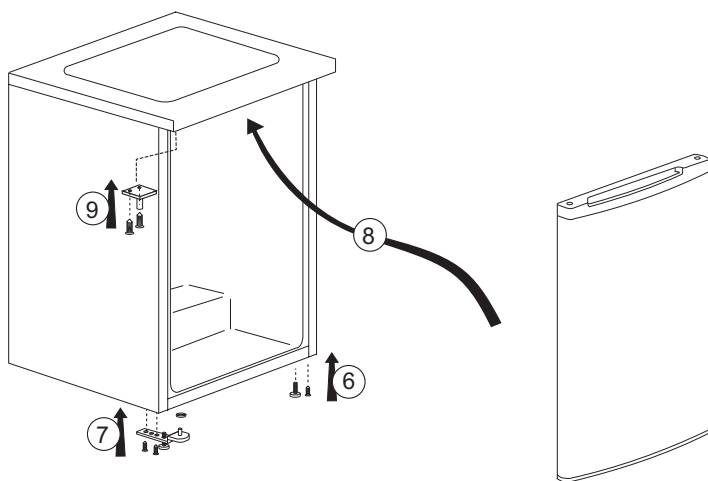
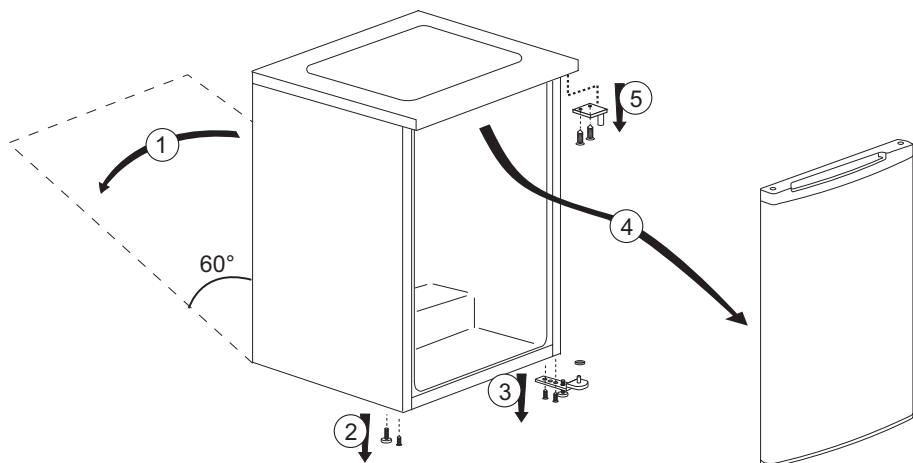
Aby wymienić lampkę używaną do oświetlenia chłodziarki, prosimy wezwać autoryzowany serwis.

Lampa (lampy) wykorzystywane w tym urządzeniu nie są przeznaczone do oświetlania pomieszczeń. Lampa ta ma pomagać użytkownikowi wygodnie i bezpiecznie umieszczać pożywienie w lodówce/zamrażarce.

Żarówki używane w urządzeniu muszą wytrzymywać ekstremalne warunki fizyczne, jak np. temperatury poniżej -20°C .

Przekładanie drzwi

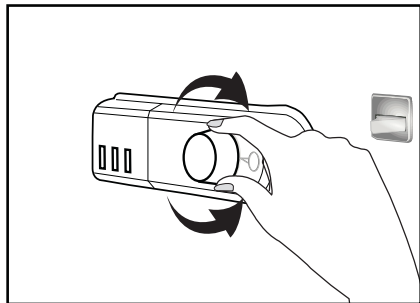
Postępuj w kolejności zgodnej z numeracją.



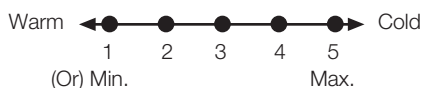
4 Przygotowanie

- i** Chłodziarkę tę należy zainstalować przynajmniej 30 cm od źródeł ciepła takich jak kuchenka, kaloryfer lub piec, i przynajmniej 5 cm od piecyka elektrycznego, a także że należy chronić ją przez bezpośrednim działaniem słońca.
- i** Temperatura otoczenia w pomieszczeniu, gdzie instaluje się chłodziarkę, powinna wynosić co najmniej 5°C. Ze względu na wydajność chłodziarki nie zaleca się użytkowania jej niższych temperaturach.
- i** Prosimy upewnić się, że wewnątrz chłodziarki zostało dokładnie oczyszczone.
- i** Jeśli zainstalowane mają być dwie chłodziarki obok siebie, należy zachować co najmniej 2 cm odstęp między nimi.
- i** Przy pierwszym uruchomieniu chłodziarki prosimy przez pierwsze sześć godzin przestrzegać następujących instrukcji.
 - Nie należy zbyt często otwierać drzwiczek.
 - Należy uruchomić ją pustą, bez żadnej żywności we wnętrzu.
 - Nie należy wyłączać wtyczki chłodziarki z gniazdka. W przypadku awarii zasilania, której nie można samemu naprawić, prosimy zastosować się do ostrzeżenia z rozdziału „Zalecane rozwiązania problemów”.
- i** Oryginalne opakowanie i elementy z pianki należy zachować do przyszłego transportu lub przeprowadzek.

5 Obsługa chłodziarki



Temperaturę roboczą reguluje się pokrętką temperatury.



1 = Ustawienie najmniejszego chłodzenia (Nastawienie najcieplejsze)

5 = Ustawienie największego chłodzenia (Nastawienie najzimniejsze)

(lub)

Min. = Ustawienie najmniejszego chłodzenia (Nastawienie najcieplejsze)

Maks. = Ustawienie największego chłodzenia (Nastawienie najzimniejsze)

Średnia temperatura we wnętrzu chłodziarki powinna wynosić ok +5°C.

Prosimy wybrać nastawienia stosownie do pożądanej temperatury.

Można zatrzymać działanie chłodziarki nastawiając pokrętkę termostatu na "0".

Prosimy zauważyć, że temperatury w obszarze chłodzenia będą się różnić.

Strefa najzimniejsza znajduje się bezpośrednio nad komorą na warzywa.

Temperatura we wnętrzu zależy także od temperatury otoczenia, częstotliwości otwierania drzwi oraz ilości przechowywanej w środku żywności.

Częste otwieranie drzwi powoduje wzrost temperatury we wnętrzu.

Z tego powodu zaleca się zamykanie drzwi z powrotem najprędzej jak to możliwe po użyciu chłodziarki.

Przy temperaturze otoczenia wyższej niż 30°C należy usunąć tackę ociekową, aby zapewnić lepszą wydajność chłodzenia.

Strefa najzimniejsza znajduje się bezpośrednio nad komorą na warzywa.

Przy wysokiej wilgotności, w chłodziarce mogą się pojawić skropliny wody, co nie jest oznaką niewłaściwego działania. Skropliny można wytrzeć suchą szmatką, zgodnie z instrukcją bezpieczeństwa. Występowanie oblodzenia, szronu i skroplin w pojemniku na lód i zbiorniku spustu wody jest normalnym zjawiskiem.

Rozmrażanie zamrażarki

Nadmierne osadzanie się lodu szkodzi zdolności zamrażania urządzenia.

Zaleca się zatem rozmrażanie zamrażarki co najmniej dwa razy rocznie, lub gdy osad lodu przekroczy 7 mm grubości.

Chłodziarkę należy rozmrażać, gdy jest pusta lub jest w niej bardzo niewiele żywności.

Wyjmij żywność. Owiń ją w kilka warstw papieru lub ściereczkę i przechowaj w chłodnym miejscu.

Dalej należy wyjąć wtyczkę zasilania chłodziarki z gniazdka lub wyłączyć aby rozpocząć proces rozmrażania.

Należy wyjąć z chłodziarki akcesoria (takie jak półki, szuflady itp.) oraz zbierać rozmrażaną wodę do odpowiedniego naczynia.

W razie potrzeby rozmrażaną wodę usunąć z komory zamrażania gąbką lub miękką szmatką.

W trakcie rozmrażania drzwi powinny być otwarte.

Aby przyspieszyć rozmrażanie można wewnątrz chłodziarki umieścić naczynia z ciepłą wodą.

Do usuwania lodu nie wolno używać urządzeń elektrycznych, płynów rozmrażających, ani przedmiotów o ostrych końcach lub krawędziach takich jak noże i widelce.

Po odszronieniu oczyścić wnętrze.

Teraz można ponownie włączyć chłodziarkę do sieci zasilającej. Należy umieścić mrożoną żywność w szufladach i wsunąć je do zamrażarki.

Dalej należy wyłączyć bezpiecznik i wyjąć wtyczkę zasilania urządzenia z gniazdka, aby rozpocząć proces rozmrażania.

Podczas odszraniania, zasuwę tacki skraplacza należy ustawić tak, jak w trybie zimowym. Po odszronieniu można ją nastawić na tryb letni lub zimowy, zależnie od potrzeb.

Chłodzenie

Przechowywanie żywności

Komora chłodnicza służy do krótkoterminowego przechowywania świeżej żywności i napojów.

Produkty mleczne należy przechowywać w komorze w zagłębieniu chłodziarki.

Butelki można przechowywać w uchwycie na butelki lub na półce na butelki w drzwiach.

Surowe mięso najlepiej przechowywać w polietylenowym woreczku w komorze na samym dnie chłodziarki.

Przed włożeniem do chłodziarki gorącą żywność i napoje należy ostudzić do temperatury pokojowej.

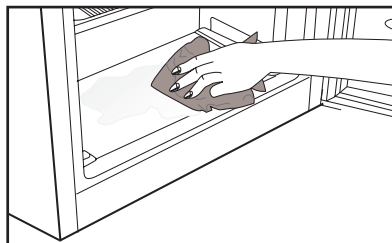
• Uwaga

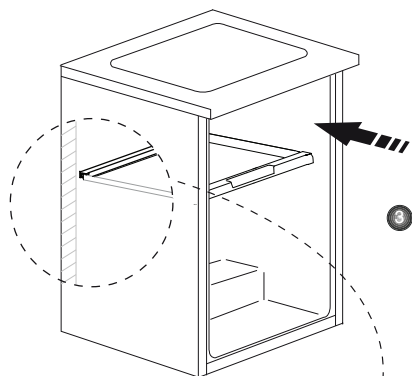
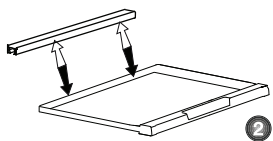
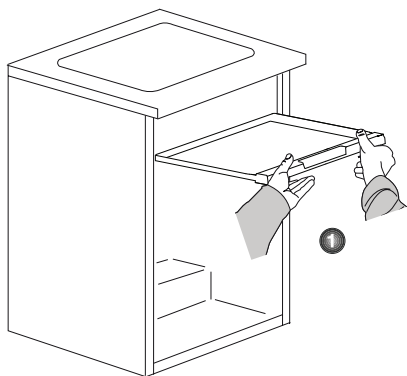
Alkohol wysokoprocentowy należy przechowywać wyłącznie w dokładnie zamkniętych naczyniach ustawionych w pozycji pionowej.

• Uwaga

W chłodziarce nie należy przechowywać substancji wybuchowych ani pojemników z łatwopalnymi gazami pędnymi (śmietana w puszkach, puszki z rozpylaczami itp.).

Zachodzi tu zagrożenie wybuchem.





Zasuwamy tacki skraplacza należy używać, jak opisano poniżej, aby utrzymać żądaną temperaturę komory w zależności od temperatury otoczenia, na przykład w trybie zimowym dla niskich temperatur otoczenia i w trybie letnim dla wysokich temperatur otoczenia.

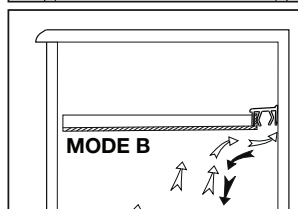
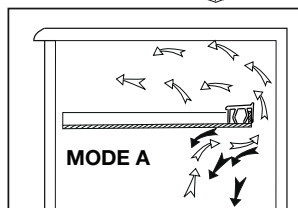
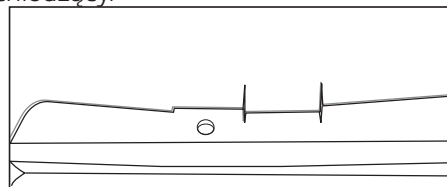
TRYB LETNI

(Gdy trzeba obniżyć temperaturę komory.)

TRYB ZIMOWY

(Gdy trzeba podwyższyć temperaturę komory.)

Pokazane tu odgańlenie z zamkniętą końcówką jest elementem konstrukcji i nie ma wpływu na system chłodzący.



6 Konserwacja i czyszczenie

- ⚠ Do czyszczenia chłodziarki nie wolno używać benzyny, benzenu, ani podobnych substancji..
- ⚠ Zaleca się wyłączenie wtyczki chłodziarki z gniazdka przed jej czyszczeniem.
- ⚠ Do czyszczenia nie wolno stosować żadnych szorstkich narzędzi ani mydła, domowych środków czystości, detergentów, ani wosku do polerowania.
- ⚠ W przypadku produktów, które nie mają funkcji No Frost, na tylnej ścianie wewnątrz komory chłodzenia mogą pojawiać się krople wody i szron. Nie należy ich usuwać; nie stosować tłuszczu ani podobnych środków.
- ⚠ Należy używać wyłącznie wilgotnej ściereczki z mikrofibry w celu wyczyszczenia zewnętrznej części produktu. Gąbki lub inne materiały do czyszczenia mogą powodować zadrapania na powierzchni.
- ℹ Umyj obudowę chłodziarki letnią wodą i wytrzyj ją do sucha.
- ℹ Wnętrze należy czyścić ściereczką zamoczoną i wyżętą w roztworze jednej łyżeczki do herbaty sody oczyszczonej w 0,5 litra wody, a następnie wytrzeć do sucha.
- ⚠ Zadbaj, aby do obudowy lampki i innych urządzeń elektrycznych nie dostała się woda.
- ⚠ Jeśli chłodziarka ma być nieużywana przez dłuższy okres czasu, należy ją wyłączyć i całkowicie opróżnić z żywności, oczyścić i pozostawić z uchylonymi drzwiczkami.
- ℹ Regularnie sprawdzać, czy uszczelki w drzwiczkach są czyste i nie osadzają się na nich cząstki żywności.
- ⚠ Aby wyjąć półki z drzwiczek, opróżnić je z zawartości, a potem po prostu nacisnąć od podstawy ku górze.
- ⚠ Do czyszczenia powierzchni zewnętrznych i chromowanych części produktu nie należy używać ani środków czyszczących, ani wody z zawartością chloru. Chlor powoduje korozję takich powierzchni metalowych.
- ⚠ Nie korzystaj z ostrych i ścierających narzędzi lub mydła, domowych środków czyszczących, detergentów, benzyny, benzenu, wosku, itp., gdyż może to spowodować odklejenie się znaczków i części plastikowych oraz może doprowadzić do deformacji. Do czyszczenia używaj ciepłej wody i miękkiej ściereczki, następnie wytrzyj do sucha.

Zabezpieczenia powierzchni plastikowych

- ℹ Nie wkładaj do chłodziarki oleju ani potraw smażonych na oleju w nieszczelnych pojemnikach, ponieważ może to uszkodzić jej plastikowe powierzchnie. W razie rozlania się lub rozsmarowania oleju na plastikowej powierzchni, od razu oczyść i opłukaj ciepłą wodą jej zabrudzoną część.

7 Zalecane rozwiązania problemów

Prosimy zapoznać się z tym wykazem przed wezwaniem serwisu. Może to oszczędzić Waszczasipieniędzy. Wykaz ten zawiera częste kłopoty, które nie wynikają z wadliwego wykonania ani zastosowania wadliwych materiałów. Niektóre z opisanych tu funkcji mogą nie występować w tym modelu urządzenia.

Chłodziarka nie działa.

- Czy jest prawidłowo przyłączona do zasilania? Włożyć wtyczkę do gniazdka.
- Czy nie zadziałał bezpiecznik gniazdka, do którego jest przyłączona albo bezpiecznik główny? Sprawdzić bezpiecznik.

Skropliny na bocznej ścianie komory chłodzenia (MULTIZONE, COOL CONTROL oraz FLEXI ZONE).

- Bardzo niska temperatura otoczenia. Częste otwieranie i zamykanie drzwiczek. Znaczna wilgoć w otoczeniu. Przechowywanie żywności zawierającej płyny w otwartych pojemnikach. Pozostawienie uchylonych drzwiczek. Przełączyć termostat na niższą temperaturę.
- Otwierać drzwiczki na krócej albo rzadziej.
- Nakrywać żywność przechowywaną w otwartych pojemnikach odpowiednim materiałem.
- Wycierać skropliny suchą ściereczką i sprawdzać, czy nadal się utrzymują.

Sprężarka nie działa

- Zabezpieczenie termiczne sprężarki zadziała w trakcie nagłego zaniku zasilania lub załącza się i wyłącza, ponieważ nie wyrównało się jeszcze ciśnienie w systemie chłodzącym chłodziarki. Chłodziarka zacznie działać po ok. 6 minutach. Jeśli po upływie tego czasu chłodziarka nie zacznie działać, prosimy wezwać serwis.
- Chłodziarka jest w cyklu rozmrażania. Ton normalne dla chłodziarki z całkowicie automatycznym rozmrażaniem. Cykl rozmrażania następuje okresowo.
- Chłodziarka nie jest włączona do gniazdka. Upewnij się, że wtyczka jest prawidłowo włożona do gniazdka.
- Czy temperatura jest właściwie nastawiona?
- Być może w sieci nie ma prądu.

Chłodziarka pracuje często lub przez zbyt długi czas.

- Nowa chłodziarka jest szersza od poprzedniej. Jest to całkiem normalne. Duże chłodziarki działają przez dłuższy czas.
- Zbyt wysoka temperatura otoczenia. Jest to całkiem normalne.
- Chłodziarka została niedawno załączona lub jest przeładowana żywnością. Całkowite ochłodzenie chłodziarki może potrwać o parę godzin dłużej.
- Ostatnio włożono do chłodziarki znaczne ilości gorącej żywności. Gorące potrawy powodują dłuższą pracę chłodziarki zanim osiągnie temperaturę przechowywania.
- Zbyt często otwierano drzwiczki lub na dłużej pozostawiano je uchylone. Ciepłe powietrze, które weszło do chłodziarki, powoduje, że działa ona dłużej. Rzadziej otwierać drzwiczki.
- Pozostawiono uchylone drzwiczki komory chłodzenia lub zamrażania. Sprawdzić, czy drzwiczki są szczelnie zamknięte.
- Chłodziarka jest nastawiona na bardzo niską temperaturę. Nastawić chłodziarkę na wyższą temperaturę i odczekać, aż zostanie ona osiągnięta.
- Uszczelka w drzwiczkach chłodziarki lub zamrażalnika jest zabrudzona, uszkodzona, pęknięta lub nieprawidłowo włożona. Oczyszczyć lub wymienić uszczelkę. Uszkodzona/pęknięta uszczelka powoduje, że chłodziarka pracuje przez dłuższy czas, aby utrzymać bieżącą temperaturę.

Temperatura zamrażalnika jest bardzo niska, a temperatura chłodzenia jest wystarczająca.

- Chłodziarka jest nastawiona na bardzo niską temperaturę zamrażania. Nastawić chłodziarkę na wyższą temperaturę zamrażania i sprawdzić.

Temperatura chłodzenia jest bardzo niska, a temperatura zamrażania jest wystarczająca.

- Chłodziarka nastawiona jest na bardzo niską temperaturę chłodzenia. Nastawić chłodziarkę na wyższą temperaturę chłodzenia i sprawdzić.

Żywność przechowywana w szufladach komory zamraża.

- Chłodziarka nastawiona jest na bardzo niską temperaturę chłodzenia. Nastawić chłodziarkę na wyższą temperaturę chłodzenia i sprawdzić.

Bardzo wysoka temperatura w chłodziarce lub zamrażalniku.

- Chłodziarka nastawiona jest na bardzo wysoką temperaturę chłodzenia. Nastawienia chłodziarki wpływają na temperaturę w zamrażalniku. Zmienić temperaturę w chłodziarce lub zamrażalniku aż osiągnie odpowiedni poziom.
- Zbyt często otwierano drzwiczki lub na dłużej pozostawiano je uchylone, należy je rzadziej otwierać.
- Drzwiczki pozostawiono uchylone, należy je dokładnie zamknąć.
- Ostatnio włożono do chłodziarki znaczne ilości gorącej żywności. Odczekać, aż temperatura w chłodziarce lub zamrażalniku osiągnie właściwy poziom.
- Chłodziarkę załączono niedawno. Całkowite chłodzenie chłodziarki trochę potrwa.

Gdy chłodziarka pracuje, poziom hałasu wrasta.

- Z powodu zmian temperatury otoczenia zmieniły się charakterystyki eksploatacyjne chłodziarki. Jest to stan normalny, nie zaś awaria.

Drgania lub hałas

- Nierówna lub słaba podłoga. Chłodziarka podskakuje, gdy porusza się ją powoli. Sprawdź, czy podłoga jest równa i wytrzymuje ciężar chłodziarki.
- Hałas powodują rzeczy położone na chłodziarce. Należy usunąć przedmioty ustawione na chłodziarce.

Z chłodziarki dochodzą odgłosy przelewania się i syczenia płynu.

- Zgodnie z zasadą funkcjonowania chłodziarki następują przepływy płynu lub gazu. Jest to stan normalny, nie zaś awaria.

Odgłos jakby szumu wiatru.

- Do ochłodzenia chłodziarki użyto wentylatorów. Jest to stan normalny, nie zaś awaria.

Skropliny na wewnętrznych ściankach chłodziarki.

- Ciepła i wilgotna pogoda sprzyja oblodzeniu i skraplaniu. Jest to stan normalny, nie zaś awaria.
- Drzwiczki mogą być uchylone, upewnij się, że są całkowicie zamknięte.
- Zbyt często otwierano drzwiczki lub na dłużej pozostawiano je uchylone, należy je rzadziej otwierać.

Na zewnątrz chłodziarki, lub pomiędzy drzwiczkami pojawia się wilgoć.

- Być może w powietrzu jest wilgoć; to całkiem normalne przy wilgotnej pogodzie. Gdy wilgoć w powietrzu ustąpi, skropliny znikną.

Nieprzyjemna woń wewnątrz chłodziarki.

- Trzeba oczyścić wnętrze chłodziarki. Oczyść wnętrze chłodziarki gąbką namoczoną w ciepłej lub gazowanej wodzie.
- Woń powodują jakieś pojemniki lub materiały opakowaniowe. Używać innych pojemników lub materiałów opakowaniowych innej marki.

Drzwiczki są niezamknięte.

- W zamknięciu drzwiczek przeszkadzają paczki z żywnością. Przełożyć paczki przeszkadzające zamknięciu drzwiczek.
- Chłodziarka nie stoi całkiem pionowo na podłodze i kiwa się przy lekkim poruszeniu. Wyregulować wysokość nóżek.
- Podłoga nie jest równa lub dość wytrzymała. Sprawdzić, czy podłoga jest równa i wytrzymuje ciężar chłodziarki.

Szuflady do przechowywania świeżych warzyw się zatarły.

- Żywność dotyka sufitu szuflady. Zmienić ułożenie żywności w szufladzie.

Jeśli Powierzchnia Produktu Jest Gorąca.

- Podczas pracy produktu obszar między drzwiczkami, panele boczne i tylny ruszt mogą osiągać wysoką temperaturę. Jest to normalne zjawisko i nie oznacza konieczności dokonywania naprawy!

Gwarancja jakości

Twój produkt marki BEKO posiada gwarancję jakości udzieloną przez Beko S.A z siedzibą w Warszawie ul. Puławska 366, 02-819 Warszawa (dalej Gwarant). Gwarancja jakości udzielana jest wyłącznie na produkty marki BEKO wprowadzane do obrotu na terytorium Rzeczypospolitej Polskiej przez Gwaranta. Termin gwarancji wynosi 24 miesiące od daty zakupu produktu. Oświadczenie gwarancyjne określające warunki gwarancji znajdziesz na stronie internetowej **www.beko.pl** w sekcji serwis.

Warunkiem wykonywania uprawnień z gwarancji jest przedstawienie dowodu zakupu produktu lub zarejestrowanie produktu na stronie www.beko.pl w sekcji serwis .

Zarejestruj swój produkt.

Załącz konto oraz zarejestruj teraz swój produkt marki BEKO objęty gwarancją na naszej stronie internetowej **www.beko.pl** w sekcji serwis. Dzięki temu nie będziesz musiał się martwić w sytuacji gdy zgubisz dowód zakupu. Ponadto będziesz miał możliwość otrzymania oświadczenia gwarancyjnego w postaci „cyfrowej karty gwarancyjnej”.

Obsługa klienta – infolinia 22 250 14 14

W celu zgłoszenia reklamacji lub usterki produktu marki BEKO prosimy o kontakt telefoniczny z infolinią . Nasi konsultanci pomogą ci rozwiązać problem lub skierują do właściwego serwisu BEKO.

Infolinia czynna jest 7 dni w tygodniu od 8.00 do 20:00.

* Koszt połączenia jak za połączenie lokalne (z telefonu stacjonarnego) lub według stawek operatora sieci komórkowej.



Podpis i pieczęć instalatora (z numerem uprawnień) w przypadku montażu urządzeń gazowych lub płyt i piekarników elektrycznych

Aby otrzymać więcej informacji dotyczących serwisu BEKO np. gdzie kupić części zamienne lub akcesoria należy odwiedzić stronę internetową www.beko.pl i wybrać zakładkę serwis.

Por favor, leia primeiro este manual!

Caro cliente,

Esperamos que o seu produto, que foi produzido em modernas instalações e testado através de rigorosos controlos de qualidade, ofereça-lhe um serviço efectivo.




Para isso, recomendamos que leia cuidadosa e inteiramente o manual do seu produto antes de utilizá-lo e guarde-o para futuras consultas.

Este manual

- Ajudá-lo-á a utilizar o seu equipamento de forma rápida e segura.
 - Leia o manual antes de instalar e operar o seu equipamento.
 - Siga as instruções, especialmente as relativas à segurança.
 - Guarde o manual num local acessível, já que poderá precisar dele mais tarde.
 - Além disso, leia também os outros documentos fornecidos com o seu produto.
- Observe que este manual também pode ser válido para outros modelos.

Os símbolos e as suas descrições

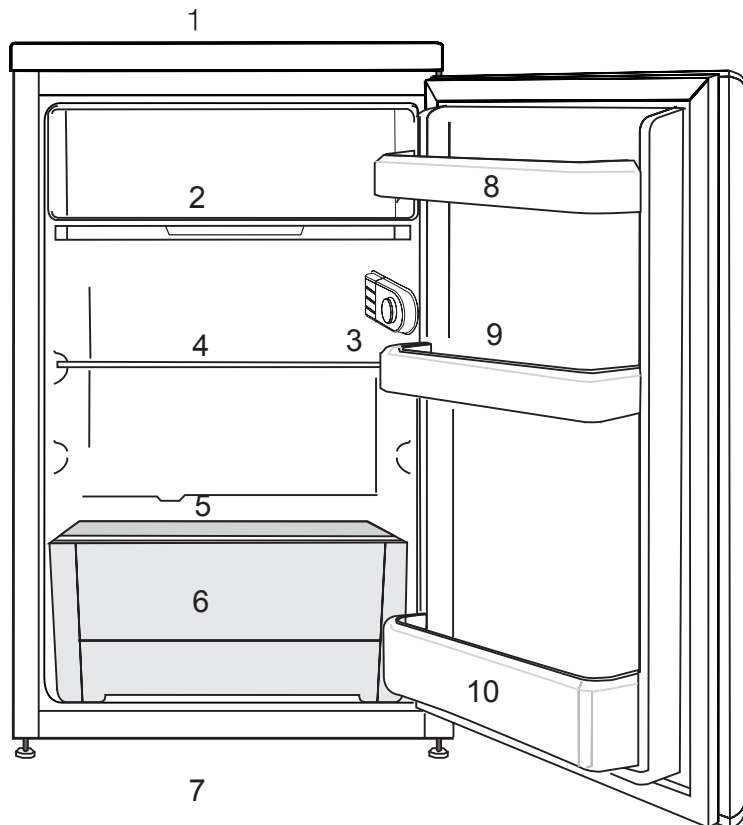
Este manual de instruções contém os seguintes símbolos:

-  Informações importantes ou dicas úteis de utilização.
-  Aviso contra condições de risco para a vida e a propriedade.
-  Aviso contra a voltagem eléctrica.

CONTEÚDO

1 O seu frigorífico	4	4 Preparação	15
2 Avisos importantes de segurança	5	5 Utilizar o seu frigorífico	16
Usado pretendido.....	5	Descongelação do equipamento.....	16
Para produtos com um dispensador de água;.....	8	Arrefecimento.....	17
Segurança com crianças.....	9	Armazenamento de alimentos.....	17
Conformidade com a Directiva WEEE e Eliminação de Resíduos:	9	6 Manutenção e limpeza	19
Cumprimento com a Directiva RoHS:	9	Protecção das superfícies plásticas	19
Informação sobre a embalagem.....	9	7 Soluções recomendadas para os problemas	20
Aviso HC.....	9		
O que se pode fazer para economizar energia.....	10		
3 Instalação	11		
Pontos a serem considerados ao transportar novamente o seu frigorífico	11		
Antes de funcionar o seu frigorífico	11		
Ligação eléctrica.....	12		
Eliminação da embalagem.....	12		
Eliminação do seu frigorífico velho..	12		
Colocação e instalação.....	12		
Ajuste dos pés	13		
Substituir a lâmpada de iluminação	13		
Inverter as portas.....	14		

1 O seu frigorífico



- | | |
|--|---------------------------------|
| 1. Armazém superior | 6. Gaveta para frutos e legumes |
| 2. Bandeja de drenagem | 7. Pés frontais ajustáveis |
| 3. Luz interior & Botão do termostato | 8. Prateleiras da porta |
| 4. Prateleira móvel | 9. Bandeja para ovos |
| 5. Tampa da gaveta para frutos e legumes | 10. Prateleira para garrafas |

I As figuras que aparecem neste manual de instruções são esquemáticas e podem não corresponder exactamente ao seu produto. Se as partes referidas não estiverem incluídas no produto que adquiriu, é porque são válidas para outros modelos.

2 Avisos importantes de segurança

Por favor, reveja as informações seguintes. A não-observância destas informações pode causar ferimentos ou danos ao material. Caso contrário, todas as garantias e compromissos de fiabilidade tornar-se-ão inválidos.

As peças sobressalentes originais serão fornecidas durante 10 anos a partir da data da compra.

Uso pretendido

⚠	AVISO: Manter as aberturas de ventilação, na caixa de proteção do aparelho ou na estrutura embutida, sem obstruções.
⚠	AVISO: Não usar dispositivos mecânicos nem outros meios para acelerar o processo de descongelação, exceto os recomendados pelo fabricante.
⚠	AVISO: Não danificar o circuito de refrigeração.
⚠	AVISO: Não usar aparelhos eléctricos no interior dos compartimentos de armazenamento de alimentos do aparelho, a menos que sejam do tipo recomendado pelo fabricante.

Este aparelho é destinado a ser usado em uso doméstico e aplicações similares como

- zonas de cozinha em estabelecimentos comerciais, escritórios ou outros ambientes laborais;
- casas rurais e pelos clientes em hotéis, motéis e outros ambientes de tipo residencial;
- ambientes de tipo alojamento e pequeno almoço;
- utilizações de refeições e outros não-retalhistas similares.

Segurança geral

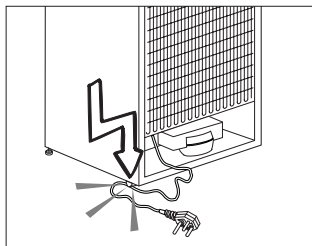
- Quando quiser eliminar/ desfazer-se do produto, recomendamos que consulte o serviço de assistência e os órgãos autorizados para obter mais informações.
- Consulte o seu serviço de assistência autorizado para todas as questões e problemas relativos ao frigorífico. Não tente reparar e nem permita que ninguém o faça sem notificar os serviços de assistência autorizados.
- Para produtos com um compartimento de congelador; Não coma cones de gelados e cubos de gelo imediatamente após retirá-los do compartimento do congelador! (Isto pode provocar queimaduras de frio na sua boca).
- Para produtos com

- Não coloque bebidas líquidas enlatadas ou engarrafadas no compartimento do congelador. Caso contrário, podem rebentar.
- Não toque nos alimentos congelados; podem ficar presos à sua mão.
 - Desligue o seu frigorífico da tomada antes da limpeza ou descongelação.
 - O vapor e materiais de limpeza vaporizados nunca deverão ser utilizados nos processos de limpeza e descongelação do seu frigorífico. Em tais casos, o vapor poderá entrar em contacto com as partes eléctricas e provocar curto-circuito ou choque eléctrico.
 - Nunca use as partes do seu frigorífico, tal como a porta, como meios de apoio ou degrau.
 - Não utilize dispositivos eléctricos dentro do frigorífico.
 - Não danifique as partes por onde circula a refrigeração, com ferramentas perfurantes ou cortantes. O refrigerante que pode explodir quando os canais de gás do evaporador, as extensões do tubo ou os revestimentos da superfície são perfurados, causa irritações na pele ou ferimentos nos olhos.
 - Não cubra ou bloqueie os orifícios de ventilação do seu frigorífico com nenhum tipo de material.
 - Os dispositivos eléctricos só devem ser reparados por pessoas autorizadas. As reparações realizadas por pessoas incompetentes causam riscos ao utilizador.
 - Em caso de qualquer falha quer durante uma manutenção ou num trabalho de reparação, desligue a alimentação eléctrica do seu frigorífico, desligando o fusível correspondente ou retirando a ficha da tomada.
 - Não puxe pelo cabo quando for retirar a ficha da tomada.
 - Assegure-se de que bebidas fortemente alcoólicas são guardadas de forma segura com a tampa apertada e colocadas na vertical .
 - Nunca guarde latas de aerossol inflamáveis e substâncias explosivas no frigorífico.
 - Não utilize dispositivos mecânicos ou outros para acelerar o processo de descongelação. Siga apenas as instruções recomendadas pelo fabricante.
 - Este produto não se destina a ser usado por pessoas com incapacidades físicas, sensoriais ou mentais ou sem conhecimento ou experiência (incluindo crianças), a menos que sejam supervisionadas por alguém responsável pela sua segurança ou que as instrua sobre o uso do produto.

- Não utilize um frigorífico avariado. Consulte o agente autorizado se tiver qualquer questão.
- A segurança eléctrica do seu frigorífico apenas poderá ser garantida se o sistema de ligação à terra da sua casa estiver em conformidade com as normas.
- A exposição do produto à chuva, neve, sol e vento é perigosa no que toca à segurança eléctrica.
- Para evitar qualquer perigo, contacte o serviço autorizado se o cabo eléctrico estiver danificado.
- Nunca ligue o frigorífico à tomada de parede durante a instalação. Caso contrário, poderá ocorrer perigo de morte ou ferimentos graves.
- Este frigorífico foi concebido unicamente para guardar alimentos. Não deverá ser utilizado para quaisquer outros fins.
- A etiqueta das especificações técnicas está localizada na parede esquerda no interior do frigorífico.
- Nunca ligue o seu frigorífico a sistemas de poupança de electricidade, pois podem danificá-lo.
- Se houver uma luz azul no frigorífico, não olhe para ela a olho nu ou com ferramentas ópticas durante muito tempo.
- Para frigoríficos controlados

manualmente, aguarde pelo menos 5 minutos para voltar a ligá-lo após uma falha eléctrica.

- Este manual de instruções deverá ser entregue ao novo proprietário do produto quando for dado/vendido a outros.
- Evite causar danos ao cabo eléctrico quando transportar o frigorífico. Dobrar o cabo pode causar incêndio. Nunca pouse objectos pesados no cabo eléctrico. Não toque na ficha com as mãos molhadas quando a introduz na tomada para ligar o produto.

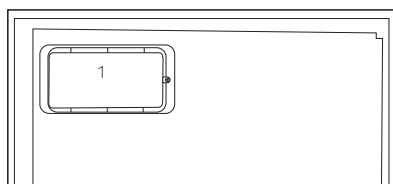
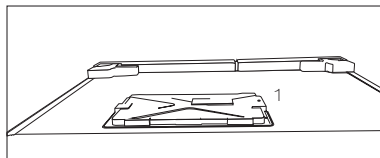


- Não ligue o frigorífico à tomada, se a tomada de parede estiver solta.
- Não deverá ser vaporizado directamente nas partes interiores ou interiores do produto devido a razões de segurança.
- Para evitar risco de incêndio e explosão, não vaporize substâncias que contenham gases inflamáveis, tais como gás propano, etc., próximo ao frigorífico.
- Não coloque recipientes que contenham água sobre o

topo do frigorífico, visto que tal poderá resultar em choque eléctrico ou incêndio.

- Não sobrecarregue o frigorífico com excesso de alimentos. Se sobrecarregado, os alimentos podem cair e feri-lo a si e danificar o frigorífico ao abrir a porta. Nunca coloque objectos no topo do frigorífico, visto que estes podem cair quando se abre ou fecha a porta do frigorífico.
- Como precisam de um controlo de temperatura exacta, as vacinas, medicamentos sensíveis ao aquecimento, materiais científicos, etc., não deverão ser guardados no frigorífico.
- Se não for utilizado por um longo tempo, o frigorífico deve ser desligado da tomada. Qualquer problema possível no cabo eléctrico poderá resultar em incêndio.
- O frigorífico pode mover-se se os pés não estiverem devidamente fixados ao piso. O ajuste seguro e apropriado dos pés ao piso pode impedir o frigorífico se mova.
- Ao transportar o frigorífico, não segure pelo puxador da porta. Caso contrário, pode quebrar.
- Se posicionar o seu frigorífico próximo de outro frigorífico ou arca frigorífica, a distância entre os dispositivos deve ser de pelo menos 8 cm. Caso contrário, as paredes laterais adjacentes podem humedecer.

- Nunca usar o produto se a secção localizada na parte superior ou traseira do seu produto com placas de circuitos impressos electrónicos no interior estiver aberta (tampa da placa de circuito electrónico impresso) (1).



Para produtos com um dispensador de água;

- A pressão para a entrada de água fria deve ser no máximo de 90 psi (620 kPa). Se a sua pressão de água exceder 80 psi (550 kPa), utilize uma válvula limitadora de pressão no seu sistema de alimentação. Se não sabe como verificar a sua pressão de água, deve solicitar a ajuda de um canalizador profissional.
- Se existir o risco de o golpe de ariete afetar a sua instalação, deve utilizar sempre um equipamento de prevenção do golpe de ariete na sua instalação. Deve consultar os canalizadores

profissionais se não tiver a certeza se existe o efeito de golpe de ariete na sua instalação.

- Não instalar na entrada de água quente. Deve tomar precauções relativamente ao risco de congelamento nas tubagens. O intervalo de funcionamento de temperatura da água deve ser 33°F (0,6°C) de mínimo e 100°F (38°C) de máximo.
- Use apenas água potável.

Segurança com crianças

- Se a porta possuir uma fechadura, a chave deverá ser mantida afastada do alcance das crianças.
- As crianças devem ser vigiadas para impedir que brinquem com o produto.

Conformidade com a Directiva WEEE e Eliminação de Resíduos:



Este produto está em conformidade com a Directiva WEEE da UE (2012/19/EU). Este produto porta um símbolo de classificação para resíduos de equipamentos eléctricos e electrónicos (WEEE).

Este produto foi fabricado com materiais e peças de alta qualidade, que podem ser reutilizados e reciclados. No fim da sua vida útil, não

elimine o resíduo com o lixo doméstico normal ou outro lixo. Leve-o a um centro de recolha para reciclagem de equipamentos eléctricos e electrónicos. Consulte as autoridades locais para se informar sobre estes centros de recolha.

Cumprimento com a Directiva RoHS:

O produto que adquiriu está em conformidade com a Directiva RoHS da UE (2011/65/EU). Ele não contém materiais perigosos e proibidos especificados na Directiva.

Informação sobre a embalagem

Os materiais de embalagem do produto são fabricados a partir de materiais recicláveis, de acordo com as nossas Normas Ambientais Nacionais. Não elimine os materiais de embalagem junto com o lixo doméstico ou outro tipo de lixo. Encaminhe-os a um ponto de recolha de materiais de embalagem indicado pelas autoridades locais.

Aviso HC

O sistema de arrefecimento do seu produto contém R600a:

Este gás é inflamável. Por isso, tenha cuidado em não danificar o sistema de arrefecimento e a tubagem durante o uso e transporte. No caso de algum dano, mantenha o seu produto longe de potenciais fontes de fogo que possam fazer com que o produto de incendeie e ventile o compartimento no qual a unidade está colocada.

Ignore este aviso se o sistema de arrefecimento do seu produto contiver R134a:

O tipo de gás usado no produto está indicado na placa de características localizada na parede esquerda no interior do frigorífico.

Nunca elimine o seu produto no fogo.

- Descongelar os alimentos congelados no compartimento do frigorífico poupará energia e preservará a qualidade dos alimentos.

O que se pode fazer para economizar energia

- Não deixe as portas do seu frigorífico abertas durante muito tempo.
- Não coloque alimentos ou bebidas quentes no seu frigorífico.
- Não sobrecarregue o seu frigorífico para que a circulação do ar no interior não seja dificultada.
- Não instale o seu frigorífico sob a luz solar directa ou próximo de aparelhos que emitem calor tais como fornos, máquinas de lavar louça ou radiadores.
- Tenha cuidado em manter os seus alimentos em recipientes fechados.
- Para produtos com um compartimento de congelador; Pode armazenar uma quantidade máxima de alimentos no congelador se remover a prateleira ou gaveta do congelador. O valor do consumo de energia indicado no seu frigorífico foi determinado removendo a prateleira do congelador ou a gaveta e com carga máxima. Não existe qualquer risco em utilizar uma prateleira ou gaveta de acordo com as formas e tamanhos dos alimentos a serem congelados.

3 Instalação

⚠ Por favor, lembre-se de que o fabricante não pode ser responsabilizado se não forem observadas as informações fornecidas no manual de instruções.

Pontos a serem considerados ao transportar novamente o seu frigorífico

1. O seu frigorífico deve ser esvaziado e limpo antes de ser transportado.
2. As prateleiras, acessórios, gaveta para frutas e legumes, etc. do seu frigorífico devem ser firmemente presos com fita adesiva, devido aos solavancos antes de voltar a empacotá-lo.
3. A embalagem deve ser amarrada com fitas grossas e cordas fortes e devem ser seguidas as normas de transporte indicadas na mesma.

Não se esqueça...

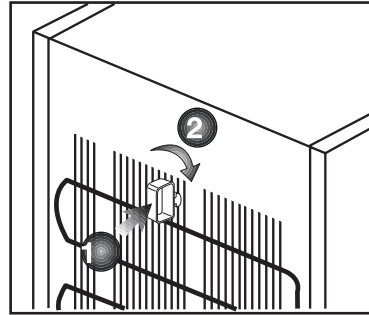
Todo material reciclado é uma fonte indispensável para a natureza e para os nossos recursos nacionais.

Se quiser contribuir para a reciclagem dos materiais da embalagem, pode obter mais informações nos organismos relativos ao ambiente ou junto das autoridades locais.

Antes de funcionar o seu frigorífico

Antes de iniciar a utilização do seu frigorífico, verifique o seguinte:

1. O interior do frigorífico está seco e o ar pode circular livremente na sua parte traseira?



2. Introduza os 2 calços plásticos na ventilação traseira, conforme mostrado na figura seguinte. Os calços plásticos proporcionarão a distância necessária entre o seu frigorífico e a parede, permitindo assim a livre circulação do ar.
3. Limpe o interior do frigorífico conforme recomendado na secção "Manutenção e limpeza".
4. Ligue o frigorífico à tomada eléctrica. A luz interior acender-se-á quando a porta do frigorífico for aberta.
5. Ouvirá um ruído quando o compressor começar a trabalhar. O líquido e os gases no interior do sistema de refrigeração também podem fazer algum ruído, mesmo que o compressor não esteja a funcionar, o que é perfeitamente normal.
6. As arestas da frente do frigorífico podem ficar quentes. Isto é normal. Estas arestas são projectadas para ficarem quentes, a fim de evitar a condensação.

Ligação eléctrica

Ligue o seu produto a uma tomada de terra, que esteja protegida por um fusível com a capacidade apropriada. Importante:

- A ligação deve estar em concordância com os regulamentos nacionais.
- A ficha do cabo de alimentação deve estar facilmente acessível após a instalação.
- A voltagem especificada deve ser igual à sua voltagem eléctrica.
- Não devem ser usados cabos de extensão e fichas multiusos para a ligação.

⚠ Um cabo de alimentação danificado deve ser substituído por um electricista qualificado.

⚠ O produto não deve ser utilizado antes de ser reparado! Há risco de choque eléctrico!

Eliminação da embalagem

Os materiais de embalagem podem ser perigosos para as crianças. Guarde os materiais da embalagem fora do alcance das crianças ou elimine-os, classificando-os de acordo com as instruções sobre o lixo. Não os elimine juntamente com o lixo doméstico normal.

A embalagem do seu frigorífico é produzida com materiais recicláveis.

Eliminação do seu frigorífico velho

Elimine o seu frigorífico velho sem causar qualquer perigo ao meio ambiente.

- Pode consultar o seu revendedor autorizado ou o centro de recolha do lixo do seu município a respeito da eliminação do seu frigorífico.

Antes de se desfazer do seu frigorífico, corte a ficha eléctrica e, se houver trincos nas portas, deixe-os inutilizados, a fim de proteger as crianças contra qualquer perigo.

Colocação e instalação

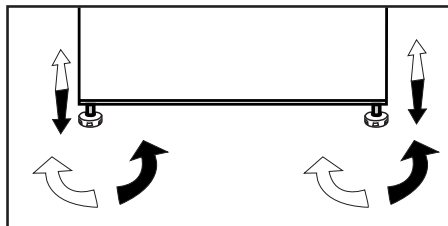
⚠ Se a porta de entrada do compartimento onde o frigorífico será instalado não for o suficientemente larga para que ele passe, chame o serviço de assistência autorizado para que possam remover as portas do seu frigorífico e passá-lo de forma inclinada através da porta.

1. Instale o seu frigorífico num local que permita fácil acesso.
2. Mantenha o seu frigorífico longe das fontes de calor, lugares húmidos e luz solar directa.
3. Deve existir uma circulação de ar adequada à volta do seu frigorífico, para que obtenha um funcionamento eficiente. Se o frigorífico for colocado numa reentrância da parede, deve haver uma distância mínima de 5cm do tecto e, pelo menos, 5 cm da parede. Se o piso for coberto por alcatifa, o seu produto deve ter uma elevação de 2,5 cm do chão.
4. Coloque o seu frigorífico num pavimento uniforme para evitar solavancos.

Ajuste dos pés

Se o seu frigorífico estiver desnivelado;

Pode equilibrar o seu frigorífico, rodando os seus pés frontais conforme ilustrado na figura. O canto onde está o pé é baixado quando roda na direcção da seta preta e levantado quando roda na direcção oposta. Peça ajuda a alguém para erguer ligeiramente o frigorífico, facilitará este processo.



Substituir a lâmpada de iluminação

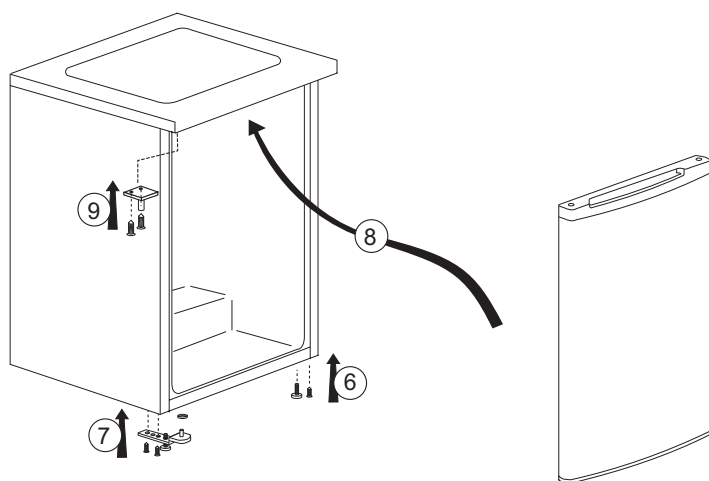
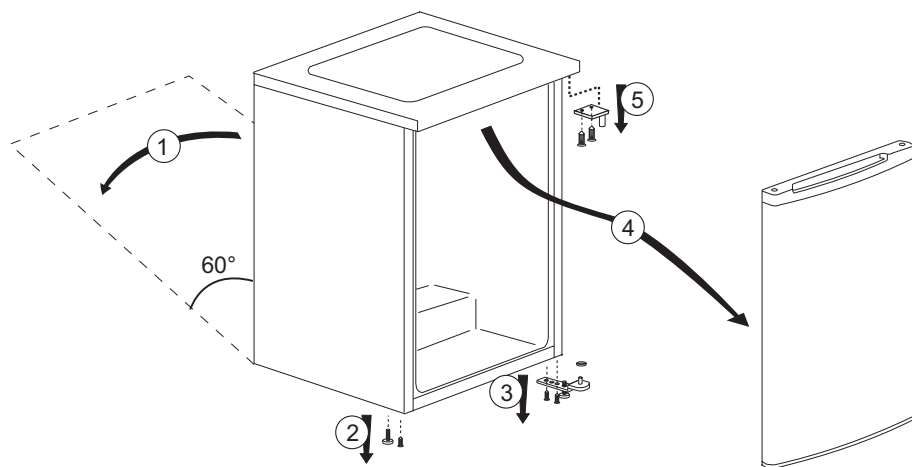
Para substituir a lâmpada utilizada para a iluminação do seu frigorífico, por favor chame o seu Serviço de Assistência Autorizado.

A(s) lâmpada(s) usada(s) neste aparelho não é ou não são adequada(s) para a iluminação do espaço. A finalidade desta lâmpada é auxiliar o utilizador a colocar produtos alimentares no frigorífico/congelador, de uma forma confortável e segura.

As lâmpadas usadas neste aparelho têm de suportar condições físicas extremas, tais como temperaturas abaixo de -20°C .

Inverter as portas

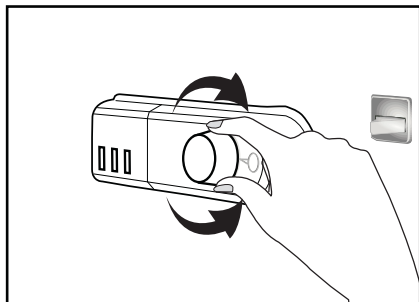
Proceda em ordem numérica



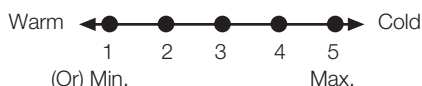
4 Preparação

- i** O seu frigorífico deverá ser instalado a uma distância mínima de 30 cm de quaisquer fontes de calor, tais como placas, fornos, aquecimento central e fogões e de 5 cm de fornos eléctricos e não deverá ficar exposto directamente à luz solar.
- i** A temperatura ambiente do compartimento onde está instalado o seu frigorífico não deve ser inferior a 5°C. Utilizar o seu frigorífico em condições de temperatura mais baixas não é recomendado em atenção à sua eficiência.
- i** Certifique-se de que o interior do seu frigorífico esteja completamente limpo.
- i** Se forem instalados dois frigoríficos lado a lado, deverá existir uma distância mínima de 2 cm entre eles.
- i** Quando utilizar o seu frigorífico pela primeira vez, por favor, observe as seguintes instruções durante as seis horas iniciais.
 - A porta não deverá ser aberta frequentemente.
 - Deve começar a funcionar vazio, sem alimentos no interior.
 - Não retire a ficha da tomada do seu frigorífico. Se houver uma falha de energia inesperada, por favor consulte os avisos na secção "Soluções recomendadas para os problemas".
- i** A embalagem original e os materiais de esponja deverão ser guardados para transportes ou deslocações futuras.

5 Utilizar o seu frigorífico



A temperatura de funcionamento é regulada pelo respectivo controlo.



1 = Definição de arrefecimento mais baixa (Definição mais quente)

5 = Definição de arrefecimento mais elevada (Definição mais fria)
(Ou)

Mín. = Definição de arrefecimento mais baixa (Definição mais quente)

Máx. = Definição de arrefecimento mais elevada (Definição mais fria)

A temperatura média dentro do frigorífico deve ser cerca de +5°C.

Escolha a definição de acordo com a temperatura pretendida.

Pode parar o funcionamento do seu equipamento, rodando o botão do termostato para a posição "0".

Note que existem temperaturas diferentes na área de arrefecimento.

A área mais fria está imediatamente acima do compartimento para vegetais.

A temperatura inferior também depende da temperatura ambiente, da frequência com que a porta é aberta e da quantidade de alimentos mantidos no interior do equipamento.

A abertura frequente da porta faz subir a temperatura inferior.

A uma temperatura ambiente superior a 30 °C, retire a bandeja de drenagem para uma refrigeração mais eficiente.

Assim, recomendamos o fecho da porta o mais rapidamente possível após a utilização.

A área mais fria está imediatamente abaixo do compartimento de produção de gelo.

Sob alta humidade pode haver ocorrência de condensação no seu frigorífico; isto não é uma falha. Pode ser limpa com um pano seco, conforme as instruções sobre segurança. A congelação, descongelação e condensação são normais no compartimento da caixa de gole e no recipiente de drenagem da água.

Descongelação do equipamento

O gelo em excesso afecta o desempenho da refrigeração do seu frigorífico.

Por isso, recomendamos que descongele o equipamento pelo menos duas vezes por ano, ou sempre que a altura do gelo exceder 7 mm.

Descongele o frigorífico com ele vazio ou quando tiver poucos alimentos.

Retire os alimentos. Embrulhe os alimentos em várias camadas de papel, ou numa manta, e guarde-os num local frio.

Para iniciar o processo de descongelação, retire a ficha da corrente eléctrica ou desligue o interruptor de circuito.

Retire os acessórios (prateleiras, gavetas, etc.) do equipamento e utilize um recipiente adequado para recolher a água proveniente da descongelação.

Utilize uma esponja ou um pano macio para remover a água da descongelação, se necessário, nos compartimentos.

Mantenha a porta aberta durante a descongelação.

Para uma descongelação mais rápida, coloque recipientes com água quente no interior do equipamento.

Nunca utilize dispositivos eléctricos, aerossóis de descongelação ou objectos pontiagudos, como facas ou garfos, para remover o gelo.

Depois da descongelação estar concluída, limpe o interior.

Ligue novamente o equipamento à electricidade. Coloque os alimentos congelados nas gavetas e deslize-as para dentro do congelador

Para a sua segurança, antes de iniciar o processo de descongelação desligue o disjuntor do aparelho e retire a sua ficha da tomada.

Durante a descongelação, o humidificador deve estar posicionado como em modo de Inverno. Após a descongelação, pode ser posicionado no modo de Verão ou de Inverno, conforme necessário.

Arrefecimento

Armazenamento de alimentos

O compartimento do frigorífico destina-se a armazenar, durante um curto período de tempo, alimentos frescos e bebidas.

Guarde os produtos lácteos no compartimento destinado para o efeito no frigorífico.

As garrafas podem ser guardadas no respectivo suporte, ou na prateleira para garrafas existente na porta.

A carne crua deve ser guardada num saco de polietileno, na parte mais inferior do frigorífico.

Deixe as bebidas e alimentos quentes arrefecerem antes de os colocar no frigorífico.

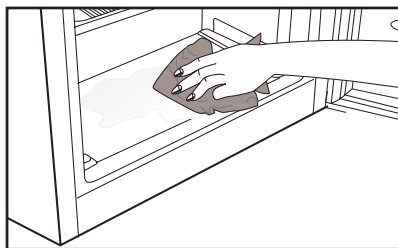
• Atenção

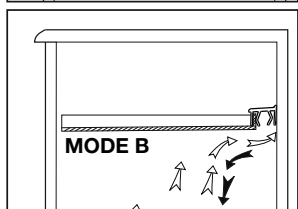
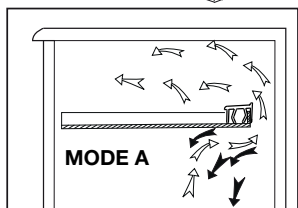
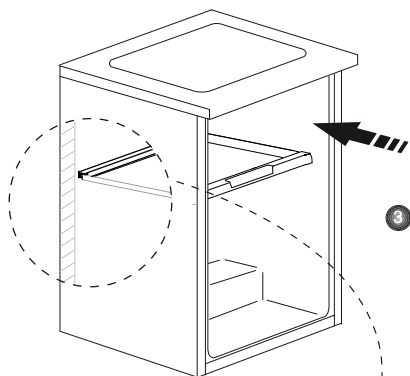
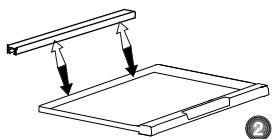
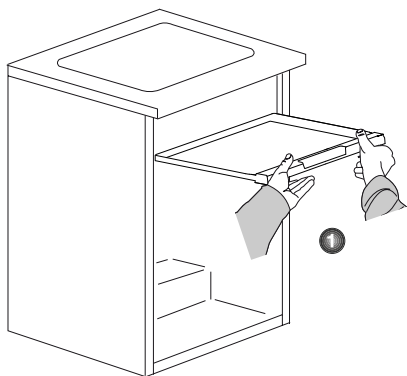
Guarde álcool concentrado num recipiente apenas na vertical e hermeticamente fechado.

• Atenção

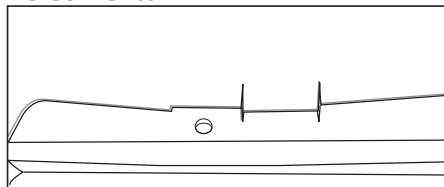
Não guarde substâncias explosivas nem recipientes com gases inflamáveis (natas enlatadas, aerossóis, etc.) no equipamento.

Existe perigo de explosão.





A impressão na extremidade mais próxima faz parte do design, não tem qualquer efeito no sistema de arrefecimento.



O humidificador deve ser utilizado como descrito abaixo para manter a temperatura pretendida no compartimento, dependendo da temperatura ambiente, como modo de Inverno para temperatura ambiente fria e modo de Verão para temperatura ambiente quente.

MODO DE VERÃO (MODO A)

(Quando é necessário uma temperatura de ambiente mais fria).

MODO DE INVERNO (MODO B)

(Quando é necessário uma temperatura de ambiente mais quente).

6 Manutenção e limpeza

- ⚠ Nunca use gasolina, benzeno ou substâncias semelhantes para a limpeza.
- ⚠ Recomendamos que desligue a ficha do equipamento da tomada antes da limpeza.
- ⚠ Nunca utilize na limpeza objectos abrasivos ou pontiagudos, sabões, produtos de limpeza doméstica, detergentes ou ceras brilhantadoras.
- ⚠ Para produtos não No Frost, gotas de água e uma congelação com a largura de um dedo podem ocorrer na parede posterior do compartimento do frigorífico. Não limpe; nunca aplique óleo ou agentes similares.
- ⚠ Utilize apenas panos macios de microfibra ligeiramente humedecidos para limpar a superfície do produto. Esponjas e outros tipos de panos de limpeza poderão riscar a superfície.
- ℹ Utilize água morna para limpar o exterior do seu frigorífico e seque-o com um pano.
- ℹ Utilize um pano humedecido numa solução composta por uma colher de chá de bicarbonato de soda dissolvido em cerca de meio litro de água para limpar o interior e depois seque-o.
- ⚠ Certifique-se de que não entra água no compartimento da lâmpada e nos outros itens eléctricos.
- ⚠ Se o seu frigorífico não for utilizado durante um longo período de tempo, remova o cabo de alimentação, retire todos os alimentos, limpe-o e deixe a porta entreaberta.
- ℹ Verifique regularmente as borrachas vedantes da porta, para se assegurar que elas estão limpas e sem restos de alimentos.
- ⚠ Para remover os suportes da porta, retire todo o seu conteúdo e, em seguida, basta empurrar cuidadosamente o seu suporte para cima a partir da base.
- ⚠ Nunca utilize agentes de limpeza ou água que contenha cloro para limpar as superfícies externas e as partes cromadas do produto. O cloro provoca a corrosão de tais superfícies metálicas.
- ⚠ Não usar ferramentas aguçadas e abrasivas ou sabão, agentes de limpeza doméstica, detergentes, gasolina, benzina, cera, etc., podem danificar os carimbos nas partes plásticas, que podem desaparecer ou ficarem deformadas. Usar água quente e um pano macio para limpar e secar com um pano seco.

Protecção das superfícies plásticas

- ℹ Não coloque óleos líquidos ou comidas cozinhadas no óleo no seu frigorífico em recipientes abertos, uma vez que podem danificar as superfícies plásticas do seu frigorífico. No caso de derrame ou salpico de óleo nas superfícies plásticas, limpe e enxagúe a parte correspondente da superfície com água morna.

7 Soluções recomendadas para os problemas

Por favor, reveja esta lista antes de telefonar para a assistência. Com isso, pode poupar tempo e dinheiro. Esta lista abrange as reclamações frequentes resultantes de defeitos de fabricação ou utilização do material. Algumas das funções descritas aqui podem não existir no seu produto.

O frigorífico não funciona

- O frigorífico tem a ficha eléctrica ligada correctamente à tomada? Introduza a ficha na tomada de parede.
- O fusível da tomada na qual o frigorífico está ligado ou o fusível principal não está queimado? Verifique o fusível.

Condensação na parede lateral do compartimento do refrigerador (MULTIZONE, COOL CONTROL e FLEXIZONE).

- Condições ambientais muito frias. Abertura e fecho frequentes da porta. Condições ambientais de alta humidade. Armazenamento de alimentos que contém líquidos em recipientes abertos. A porta foi deixada entreaberta. Comute o termóstato para um grau mais frio.
- Diminua o número de vezes de abertura da porta ou utilize menos frequentemente.
- Cubra os alimentos guardados em recipientes abertos com um material apropriado.
- Limpe a condensação usando um pano seco e verifique, se persistir.

O compressor não está a funcionar.

- A protecção térmica do compressor deixará de funcionar durante falhas eléctricas repentinas ou na extracção/colocação da ficha eléctrica, já que a pressão refrigerante no sistema de arrefecimento do frigorífico ainda não se encontra estabilizada. O seu frigorífico voltará a funcionar aproximadamente 6 minutos depois. Por favor, chame a assistência se o frigorífico não começar a operar no fim deste período.
- O refrigerador está no ciclo de descongelação. Isto é normal num frigorífico de descongelação totalmente automático. O ciclo de descongelação ocorre periodicamente.
- O seu frigorífico não está ligado à tomada. Certifique-se de que a ficha está correctamente ligada à tomada.
- A regulação da temperatura está feita correctamente?
- A corrente deve ser desligada.

O refrigerador está a funcionar frequentemente ou por um longo tempo.

• O seu novo produto pode ser mais largo do que o anterior. Esta situação é perfeitamente normal. Os frigoríficos grandes operam por um período maior de tempo.

• A temperatura ambiente pode estar muito elevada. Esta situação é perfeitamente normal.

• O frigorífico foi ligado à tomada há pouco tempo ou carregado com alimentos. O arrefecimento total do frigorífico pode demorar mais do que duas horas.

• Podem ter sido colocadas recentemente grandes quantidades de alimentos quentes no frigorífico. Os alimentos quentes obrigam a um funcionamento mais vigoroso do frigorífico até que alcance a temperatura segura de armazenamento.

• As portas podem estar a ser abertas frequentemente ou foram deixadas entreabertas por longo tempo. O ar quente que entrou no frigorífico faz com que o mesmo tenha que funcionar por períodos mais longos. Abra as portas com menos frequência.

• A porta do compartimento do refrigerador ou do congelador pode ter sido deixada entreaberta. Verifique se as portas estão completamente fechadas.

• O frigorífico está ajustado para uma temperatura muito baixa. Ajuste a temperatura do frigorífico para um grau mais quente e aguarde até que a temperatura seja atingida.

• O vedante da porta do refrigerador ou do congelador pode estar sujo, gasto, roto ou não ajustado correctamente. Limpe ou substitua o vedante. O vedante danificado/roto faz com que o frigorífico funcione por um período de tempo maior para que mantenha a temperatura actual.

A temperatura do congelador está muito baixa, enquanto que a temperatura do refrigerador é suficiente.

• A temperatura do congelador está ajustada para uma temperatura muito baixa. Ajuste a temperatura do congelador para um grau mais quente e verifique.

A temperatura do refrigerador está muito baixa, enquanto que a temperatura do congelador é suficiente.

• A temperatura do refrigerador pode ter sido ajustada para uma temperatura muito baixa. Ajuste a temperatura do refrigerador para um grau mais quente e verifique.

Os alimentos guardados nas gavetas do compartimento do refrigerador estão congelados.

• A temperatura do refrigerador pode ter sido ajustada para uma temperatura muito baixa. Ajuste a temperatura do refrigerador para um grau mais quente e verifique.

A temperatura no refrigerador ou no congelador é muito alta.

• A temperatura do refrigerador pode ter sido ajustada para um grau muito alto. O ajuste do refrigerador tem efeito na temperatura do congelador. Altere a temperatura do refrigerador ou do congelador até que a temperatura do refrigerador ou do congelador atinja um nível suficiente.

• As portas podem estar a ser abertas frequentemente ou foram deixadas entreabertas por longo tempo; abra-as menos frequentemente.

• A porta poderá ter sido deixada entreaberta; feche-a completamente.

• Podem ter sido colocadas recentemente grandes quantidades de alimentos quentes no frigorífico. Aguarde até que o refrigerador ou o congelador atinja a temperatura desejada.

• O frigorífico pode ter sido ligado à tomada há pouco tempo. O total arrefecimento do frigorífico leva tempo.

O ruído de funcionamento aumenta quando o frigorífico está a funcionar.

<ul style="list-style-type: none"> • O desempenho de funcionamento do frigorífico pode variar devido às alterações na temperatura ambiente. Esta situação é normal e não é um problema. 	<ul style="list-style-type: none"> • Poderá existir humidade no ar; isto é bastante normal no tempo húmido. Quando a humidade for menor, a condensação irá desaparecer.
Vibrações ou ruído.	Maus odores dentro do frigorífico.
<ul style="list-style-type: none"> • O piso não está nivelado ou não é resistente. O frigorífico balança quando deslocado lentamente. Certifique-se de que o piso é suficientemente forte para suportar o frigorífico, e nivelado. • O ruído pode ser causado pelos itens colocados sobre o frigorífico. Os itens sobre o topo do frigorífico devem ser removidos. 	<ul style="list-style-type: none"> • O interior do frigorífico deve ser limpo. Limpe o interior do frigorífico com uma esponja, água morna ou água com gás. • Alguns recipientes ou materiais de embalagem podem provocar cheiros. Utilize um recipiente diferente ou um material de embalagem de marca diferente.
Há ruídos que surgem do frigorífico como líquidos a verter ou gotejar.	A porta não está fechada.
<ul style="list-style-type: none"> • Os fluxos de gás e líquidos acontecem conforme os princípios de funcionamento do seu frigorífico. Esta situação é normal e não é um problema. 	<ul style="list-style-type: none"> • Os pacotes de alimentos podem impedir o fecho da porta. Coloque de outra forma as embalagens que estão a obstruir a porta. • O frigorífico não está completamente na vertical no pavimento e balanceia quando ligeiramente movido. Ajuste os parafusos de elevação. • O piso não é sólido ou não está nivelado. Certifique-se de que o piso está nivelado e capaz de suportar o frigorífico.
Há um ruído parecido com o vento a soprar.	As gavetas para frutos e legumes estão bloqueadas.
<ul style="list-style-type: none"> • As ventoinhas são utilizadas para arrefecer o frigorífico. Esta situação é normal e não é um problema. 	<ul style="list-style-type: none"> • Os alimentos podem estar a tocar o tecto da gaveta. Arrume novamente os alimentos na gaveta.
Condensação nas paredes internas do frigorífico.	Se A Superfície Do Produto Estiver Quente.
<ul style="list-style-type: none"> • O tempo quente e húmido aumenta a formação de gelo e de condensação. Esta situação é normal e não é um problema. • As portas poderão ter sido deixadas entreabertas; certifique-se que as mesmas estão completamente fechadas. • As portas podem estar a ser abertas frequentemente ou foram deixadas entreabertas por longo tempo; abra-as menos frequentemente. 	<ul style="list-style-type: none"> • Podem notar-se temperaturas elevadas entre as duas portas, nos painéis laterais e na grelha traseira quando o produto está a funcionar. Esta situação é normal e não exige serviço de manutenção!
Há ocorrência de humidade no exterior do frigorífico ou entre as portas.	

Lea este manual antes de utilizar el frigorífico.

Estimado cliente:

Esperamos que este aparato, que ha sido fabricado en plantas dotadas de la más avanzada tecnología y sometido a los más estrictos procedimientos de control de calidad, le preste un servicio eficaz.




Para ello, le recomendamos que lea atentamente el presente manual antes de utilizar el aparato, y que lo tenga a mano para futuras consultas.

Este manual

- Le ayudará a usar el aparato de manera rápida y segura.
- Lea el manual antes de instalar y poner en funcionamiento el aparato.
- Siga las instrucciones, en particular las relacionadas con la seguridad.
- Conserve el manual en un sitio de fácil acceso, ya que podría necesitarlo en el futuro.
- Lea también los demás documentos suministrados junto con el aparato. Tenga en cuenta que este manual también podría ser válido para otros modelos.

Símbolos y sus descripciones

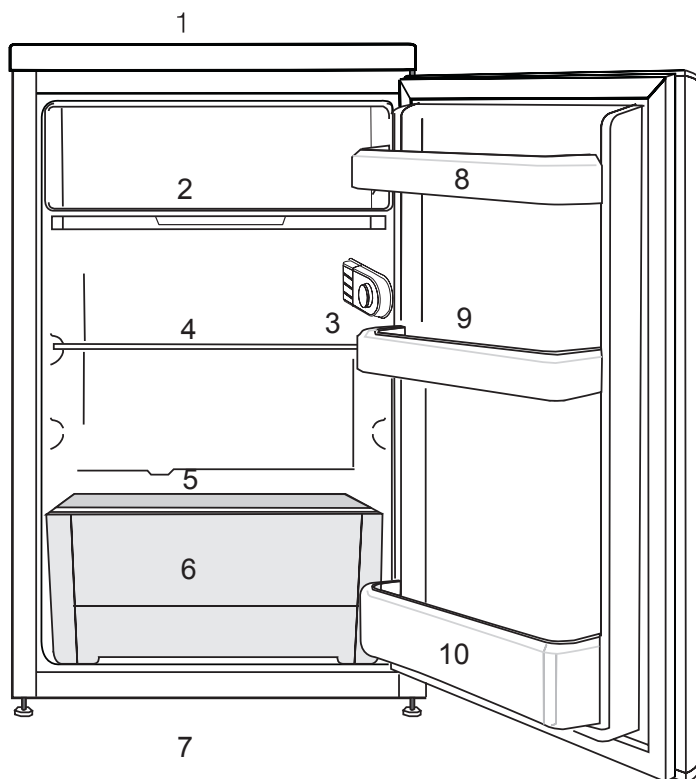
El presente manual de instrucciones emplea los siguientes símbolos:

-  Información importante o consejos útiles sobre el funcionamiento.
-  Advertencia sobre situaciones peligrosas para la vida y la propiedad.
-  Advertencia acerca de la tensión eléctrica.

ÍNDICE

1 Su frigorífico	4	4 Preparación	16
2 Avisos importantes sobre la seguridad	5	5 Uso del frigorífico	17
Finalidad prevista.....	5	Deshielo del aparato	17
Productos equipados con dispensador de agua:.....	9	Refrigeración	18
Seguridad infantil.....	9	Almacenamiento de los alimentos...18	
Conformidad con la normativa WEEE y eliminación del aparato al final de su vida útil:	9	6 Mantenimiento y limpieza	20
Cumplimiento de la directiva RoHS:.....	10	Protección de las superficies de plástico	20
Información sobre el embalaje.....	10	7 Sugerencias para la solución de problemas	21
Advertencia sobre la seguridad de la salud	10		
Consejos para el ahorro de energía .10			
3 Instalación	12		
Cuestiones a considerar a la hora de transportar el frigorífico.....	12		
Antes de usar el frigorífico	12		
Conexiones eléctricas	13		
Eliminación del embalaje.....	13		
Eliminación de su viejo frigorífico.....	13		
Colocación e instalación	13		
Ajuste de los pies	14		
Cambio de la bombilla de iluminación	14		
Inversión de las puertas	15		

1 Su frigorífico



- | | |
|--|-------------------------------|
| 1. Moldura superior | 6. Cajón de frutas y verduras |
| 2. Bandeja de desagüe | 7. Pies delanteros ajustables |
| 3. Luz interior y mando del termostato | 8. Estantes de la puerta |
| 4. Bandeja extraíble | 9. Huevera |
| 5. Tapa del cajón de frutas y verduras | 10. Estante para botellas |

i Las ilustraciones incluidas en el presente manual de instrucciones son esquemáticas y puede que no se adecúen a su aparato con exactitud. Si alguno de los elementos reflejados no se corresponde con el producto que usted ha adquirido, entonces será válido para otros modelos.

2 Avisos importantes sobre la seguridad

Lea con atención la siguiente información. No tener en cuenta dicha información podría acarrear lesiones o daños materiales. En tal caso, las garantías y los compromisos de fiabilidad quedarían anulados.

Se proporcionarán piezas de recambio originales durante 10 años, después de la fecha de compra del producto.

ADVERTENCIA:

Asegúrese de que cuando el dispositivo está en su custodia o durante su montaje en el alojamiento, los orificios de ventilación no están cerrados.

ADVERTENCIA:

Con el fin de acelerar la operación de derretimiento del hielo, no utilice cualquier dispositivo o aparato mecánico que no es recomendado por el fabricante.

ADVERTENCIA:

No dañe el circuito de fluido refrigerante.

ADVERTENCIA:

No utilice dispositivos eléctricos que no estén recomendados por el fabricante en los compartimentos del dispositivo para la conservación de alimentos.



Este dispositivo está diseñado para ser utilizado en el hogar o en las siguientes aplicaciones similares:

- Con el fin de ser utilizado en las cocinas para el personal de las tiendas, oficinas y otros lugares de trabajo;

- Con el fin de ser utilizado por los clientes en casas de campo y hoteles, moteles y otros lugares de alojamiento;

- en entornos tales pensiones

- en lugares similares que no ofrecen servicios de restauración y no es al por menor

Finalidad prevista

Este aparato está diseñado para usarse en los siguientes entornos:

- interiores y entornos cerrados tales como domicilios particulares;
- entornos cerrados de trabajo tales como almacenes u oficinas;
- zonas de servicio cerradas tales como casas rurales, hoteles o pensiones.
- Este aparato no se debe usar al aire libre.

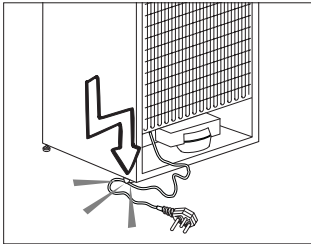
Seguridad general

- Cuando desee deshacerse del aparato, le recomendamos que solicite a su servicio técnico autorizado la información necesaria a este respecto,

- entidades locales a las que puede dirigirse.
- En caso de dudas o problemas, diríjase a su servicio técnico autorizado. No intente reparar el frigorífico sin consultar con el servicio técnico, ni deje que nadie lo haga.
 - Para aparatos equipados con un compartimento congelador: no consuma los helados o cubitos de hielo inmediatamente después de sacarlos del compartimento congelador, ya que podría sufrir daños en su boca a causa del frío.
 - Para aparatos equipados con un compartimento congelador: no deposite bebidas embotelladas o enlatadas en el compartimento congelador, ya que podrían estallar.
 - No toque con la mano los alimentos congelados, ya que podrían adherirse a ella.
 - Desenchufe su frigorífico antes de proceder a su limpieza o deshielo.
 - No utilice nunca materiales de limpieza que usen vapor para limpiar o descongelar el frigorífico. El vapor podría entrar en contacto con los elementos eléctricos y causar cortocircuitos o descargas eléctricas.
 - No utilice nunca elementos del frigorífico tales como la puerta como medio de sujeción o como escalón.
 - No utilice aparatos eléctricos en el interior del frigorífico.
 - Evite dañar el circuito del refrigerante con herramientas cortantes o de perforación. El refrigerante que puede liberarse si se perforan los canales de gas del evaporador, los conductos o los recubrimientos de las superficies causa irritaciones en la piel y lesiones en los ojos.
 - No cubra ni bloquee los orificios de ventilación de su frigorífico con ningún material.
 - Deje la reparación de los aparatos eléctricos únicamente en manos de personal autorizado. Las reparaciones realizadas por personas incompetentes generan riesgos para el usuario.
 - En caso de fallo o cuando vaya a realizar cualquier operación de reparación o mantenimiento, desconecte el frigorífico de la corriente apagando el fusible correspondiente o bien desenchufando el aparato.
 - No desenchufe el aparato de la toma de corriente tirando del cable.

- Asegúrese de guardar las bebidas alcohólicas correctamente con la tapa puesta y colocadas hacia arriba.
- No almacene en el frigorífico aerosoles que contengan sustancias inflamables o explosivas.
- No utilice dispositivos mecánicos u otros medios para acelerar el proceso de deshielo distintos de los recomendados por el fabricante.
- Este aparato no debe ser utilizado por niños o por personas con sus facultades físicas, sensoriales o mentales reducidas o bien que carezcan de la experiencia y los conocimientos necesarios, a menos que lo hagan bajo la supervisión de personas responsables de su seguridad o bien tras haber recibido instrucciones de uso por parte de dichas personas.
- No utilice un frigorífico que haya sufrido daños. Consulte con el servicio de atención al cliente en caso de duda.
- La seguridad eléctrica de su frigorífico sólo estará garantizada si el sistema de toma de tierra de su domicilio se ajusta a los estándares.
- Desde el punto de vista de la seguridad eléctrica, es peligroso exponer el aparato a la lluvia, la nieve o el viento.
- Póngase en contacto con el servicio técnico autorizado en caso de que el cable de alimentación principal se dañe, para evitar cualquier peligro.
- Nunca enchufe el frigorífico en la toma de corriente durante su instalación. Existe peligro de lesiones graves e incluso de muerte.
- Este frigorífico está únicamente diseñado para almacenar alimentos. No debe utilizarse para ningún otro propósito.
- La etiqueta que contiene los datos técnicos del frigorífico se encuentra en la parte interior izquierda del mismo.
- Jamás conecte el frigorífico a sistemas de ahorro de electricidad, ya que podría dañarlo.
- Si el frigorífico está equipado con una luz azul, no la mire a simple vista o a través de dispositivos ópticos durante un tiempo prolongado.
- En los frigoríficos de control manual, si se produce un corte del fluido eléctrico espere al menos 5 minutos antes de volver a ponerlo en marcha.

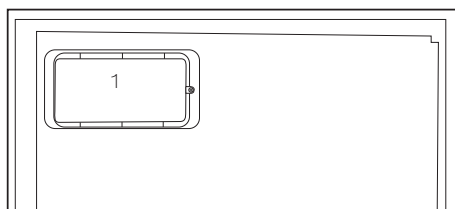
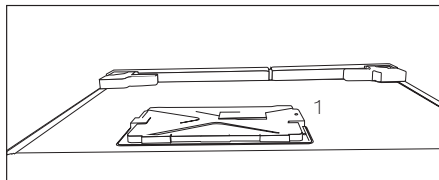
- Cuando entregue este aparato a un nuevo propietario, asegúrese de entregar también este manual de instrucciones.
- Tenga cuidado de no dañar el cable de alimentación al transportar el frigorífico. Doblar el cable podría causar un incendio. Nunca deposite objetos pesados encima del cable de alimentación. No toque el enchufe con las manos mojadas para conectar el aparato.



- No enchufe el frigorífico si el enchufe no encaja con firmeza en la toma de corriente de la pared.
- Por razones de seguridad, no pulverice agua directamente en las partes interiores o exteriores de este aparato.
- No rocíe cerca del frigorífico sustancias que contengan gases inflamables tales como gas propano para evitar riesgos de incendio y explosiones.
- Nunca coloque recipientes con agua sobre el frigorífico, ya que podría provocar una descarga eléctrica o un incendio.

- No deposite cantidades excesivas de alimentos en el frigorífico. Si lo hace, al abrir la puerta del frigorífico los alimentos podrían caerse y provocar lesiones personales o dañar el frigorífico. Nunca coloque objetos sobre el frigorífico, ya que podrían caer al abrir o cerrar la puerta.
- No guarde en el frigorífico productos que necesiten un control preciso de la temperatura tales como vacunas, medicamentos sensibles al calor, materiales científicos, etc.
- Desenchufe el frigorífico si no lo va a utilizar durante un periodo prolongado de tiempo. Un problema en el cable de alimentación podría causar un incendio.
- El frigorífico podría moverse si los pies no están adecuadamente asentados en el suelo. Fijar adecuadamente los pies del frigorífico en el suelo puede ayudar a evitar que se mueva.
- Cuando transporte el frigorífico, no lo aferre del asa de la puerta. De lo contrario, podría romperla.
- Cuando tenga que colocar el frigorífico cerca de otro frigorífico o congelador, deberá dejar un espacio entre ambos aparatos de 8 cm como mínimo. De lo contrario, podría formarse humedad en las paredes adyacentes.

- Nunca utilice el producto si la sección situada en la parte superior o posterior del producto que tiene las placas de circuitos impresos electrónicos en el interior está abierta (cubierta de la placa del circuito electrónico impreso) (1).



Productos equipados con dispensador de agua:

- La presión en la entrada de agua fría será a un máximo de 90 psi (620 kPa). Si la presión del agua es superior a 80 psi (550 kPa), utilice una válvula limitadora de presión en el sistema de red. Si usted no sabe cómo controlar la presión del agua, pida la ayuda de un plomero profesional.
- Si hay riesgo de golpe de ariete en la instalación, siempre utilice un equipo

de prevención contra golpes de ariete en la instalación. Consulte a un fontanero profesional si no está seguro de que no hay un efecto del golpe de ariete en la instalación.

- No instale en la entrada de agua caliente. Tome precauciones contra el riesgo de congelación en las mangueras. El intervalo de funcionamiento de la temperatura del agua debe ser un mínimo de 33°F (0.6°C) y un máximo de 100°F (38°C).
- Use agua potable únicamente.

Seguridad infantil

- Si la puerta tiene cerradura, mantenga la llave fuera del alcance de los niños.
- Vigile a los niños para evitar que manipulen el aparato.

Conformidad con la normativa WEEE y eliminación del aparato al final de su vida útil:



Este producto es conforme con la directiva de la UE sobre residuos de aparatos eléctricos y electrónicos (WEEE) (2012/19/UE). Este producto incorpora el símbolo de la clasificación selectiva para los residuos de aparatos eléctricos y electrónicos (WEEE).

Este aparato se ha fabricado con piezas y materiales de primera calidad, que pueden ser reutilizados y son aptos para el reciclado. No se deshaga del producto junto con sus los residuos domésticos normales y de otros tipos al final de su vida útil. Llévelo a un centro de reciclaje de dispositivos eléctricos y electrónicos. Solicite a las autoridades locales información acerca de dichos centros de recogida.

Cumplimiento de la directiva RoHS:

El producto que ha adquirido es conforme con la directiva de la UE sobre la restricción de sustancias peligrosas (RoHS) (2011/65/UE). No contiene ninguno de los materiales nocivos o prohibidos especificados en la directiva.

Información sobre el embalaje

El embalaje del aparato se fabrica con materiales reciclables, de acuerdo con nuestro Reglamento Nacional sobre Medio Ambiente. No elimine los materiales de embalaje junto con los residuos domésticos o de otro tipo. Llévelos a un punto de recogida de materiales de embalaje designado por las autoridades locales.

Advertencia sobre la seguridad de la salud

Si el sistema de refrigeración de su aparato contiene R600a:

Este gas es inflamable. Por lo tanto, procure no dañar el sistema de enfriamiento ni sus conductos durante el uso o el transporte del aparato. En

caso de daños, mantenga el aparato alejado de fuentes potenciales de ignición que puedan provocar que éste sufra un incendio, y ventile la estancia en la que se encuentre el aparato.

Ignore esta advertencia si el sistema de refrigeración de su aparato contiene R134a.

El tipo de gas utilizado en el aparato se indica en la placa de datos ubicada en la pared interior izquierda del frigorífico.

Jamás arroje el aparato al fuego.

Consejos para el ahorro de energía

- No deje las puertas del frigorífico abiertas durante periodos largos de tiempo.
- No introduzca alimentos o bebidas calientes en el frigorífico.
- No sobrecargue el frigorífico, ya que entorpecería la circulación del aire en su interior.
- No instale el frigorífico de forma que quede expuesto a la luz solar directa o cerca de aparatos que irradian calor tales como hornos, lavavajillas o radiadores.
- Procure depositar los alimentos en recipientes cerrados.
- Productos equipados con compartimento congelador: puede disponer del máximo volumen para el depósito de alimentos retirando el estante o el cajón del congelador. El consumo energético que se indica para su frigorífico se ha calculado retirando el estante o el cajón del congelador y en condiciones de máxima carga. No existe ningún riesgo en la utilización de un estante

o cajón según las formas o tamaños de los alimentos que se van a congelar.

- Descongele los alimentos congelados en el compartimento frigorífico; ahorrará energía y preservará la calidad de los alimentos.

3 Instalación

⚠ Recuerde que el fabricante declina toda responsabilidad en caso de incumplimiento de las instrucciones de este manual.

Cuestiones a considerar a la hora de transportar el frigorífico

1. El frigorífico debe estar vacío y limpio antes de proceder a su transporte.
2. Los estantes, accesorios, el cajón de frutas y verduras, etc., deben sujetarse con cinta adhesiva antes de embalar el frigorífico para evitar que se muevan.
3. Encinte el frigorífico una vez embalado con cinta gruesa y fíjelo con cuerdas resistentes. Siga las reglas de transporte que encontrará impresas en el propio embalaje.

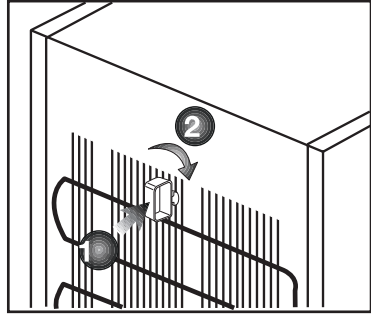
No olvide que:

El reciclaje de materiales es un asunto de vital importancia para la naturaleza y para los recursos del país. Si desea contribuir al reciclaje de los materiales de embalaje, solicite más información a los responsables medioambientales de su zona o a las autoridades locales.

Antes de usar el frigorífico

Antes de empezar a usar el frigorífico, verifique lo siguiente:

1. El interior del frigorífico está seco y el aire puede circular con libertad por su parte posterior.
2. Introduzca 2 cuñas plásticas en la ventilación trasera, como se muestra en la figura siguiente. Las cuñas de plástico proporcionarán la distancia



requerida entre su frigorífico y la pared para una correcta circulación del aire.

3. Limpie el interior del frigorífico de la forma recomendada en la sección "Mantenimiento y Limpieza".
4. Enchufe el frigorífico a la toma de corriente. Al abrir la puerta del frigorífico, la luz interior del compartimento frigorífico se enciende.
5. Se oye un sonido cuando arranca el compresor. El líquido y los gases contenidos en el sistema de refrigeración pueden también generar ruidos, incluso aunque el compresor no esté funcionando, lo cual es normal.
6. Es posible que las aristas delanteras del aparato se noten calientes al tacto, cosa que es perfectamente normal. Estas zonas deben permanecer calientes para evitar la condensación.

Conexiones eléctricas

Conecte el frigorífico a una toma de corriente provista de toma de tierra y protegida por un fusible de la capacidad adecuada.

Importante:

- La conexión debe cumplir con las normativas nacionales.
- El enchufe de alimentación debe ser fácilmente accesible tras la instalación.
- La tensión especificada debe corresponder a la tensión de la red eléctrica.
- No use cables de extensión ni enchufes múltiples para conectar la unidad.

⚠ Todo cable de alimentación dañado debe ser reemplazado por un electricista cualificado.

⚠ No ponga en funcionamiento el aparato hasta que esté reparado, ya que existe peligro de cortocircuito.

Eliminación del embalaje

Los materiales de empaque pueden ser peligrosos para los niños. Manténgalos fuera de su alcance o deshágase de ellos clasificándolos según las instrucciones para la eliminación de residuos. No los tire junto con los residuos domésticos normales.

El embalaje del frigorífico se ha fabricado con materiales reciclables.

Eliminación de su viejo frigorífico

Deshágase de su viejo frigorífico de manera respetuosa con el medio ambiente.

- Consulte las posibles alternativas a un distribuidor autorizado o al centro de recogida de residuos de su municipio.

Antes de proceder a la eliminación del frigorífico, corte el enchufe y, si las puertas tuvieran cierres, destrúyalos para evitar que los niños corran riesgos.

Colocación e instalación

⚠ Si la puerta de entrada a la estancia donde va a instalar el frigorífico no es lo suficientemente ancha como para permitir su paso, solicite al servicio técnico que retire las puertas del frigorífico y lo pase de lado a través de la puerta.

1. Instale el frigorífico en un lugar en el que pueda utilizarse con comodidad.

2. Mantenga el frigorífico alejado de fuentes de calor y lugares húmedos y evite su exposición directa a la luz solar.

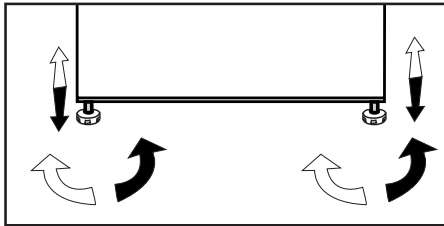
3. Para que el frigorífico funcione con la máxima eficacia, debe instalarse en una zona que disponga de una ventilación adecuada. Si el frigorífico va a instalarse en un hueco de la pared, debe dejarse un mínimo de 5 cm de separación con el techo y de 5 cm con las paredes. Si el suelo está cubierto con una alfombra, deberá elevar el frigorífico 2,5 cm del suelo.

4. Coloque el frigorífico sobre una superficie lisa para evitar sacudidas.

Ajuste de los pies

Si su frigorífico no está equilibrado:

Puede equilibrar el frigorífico girando los pies delanteros tal como se muestra en la ilustración. La esquina correspondiente al pie que está manipulando descenderá al girar el pie en la dirección de la flecha negra y se elevará al girarlo en la dirección opuesta. Le será más fácil realizar esta operación si le pide a alguien que levante ligeramente el frigorífico.



Cambio de la bombilla de iluminación

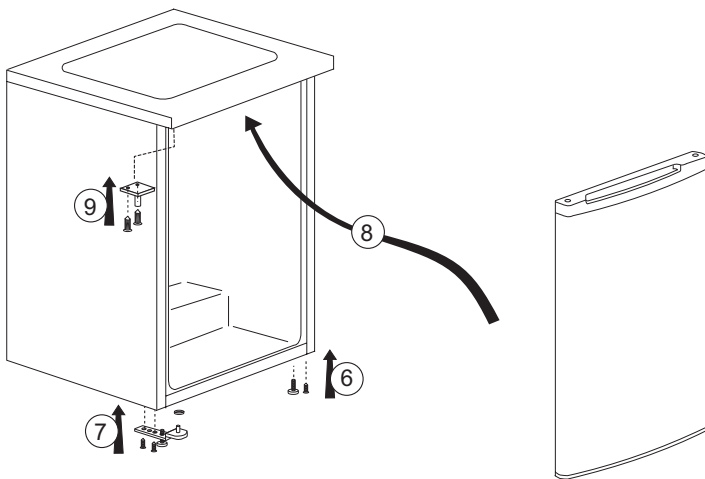
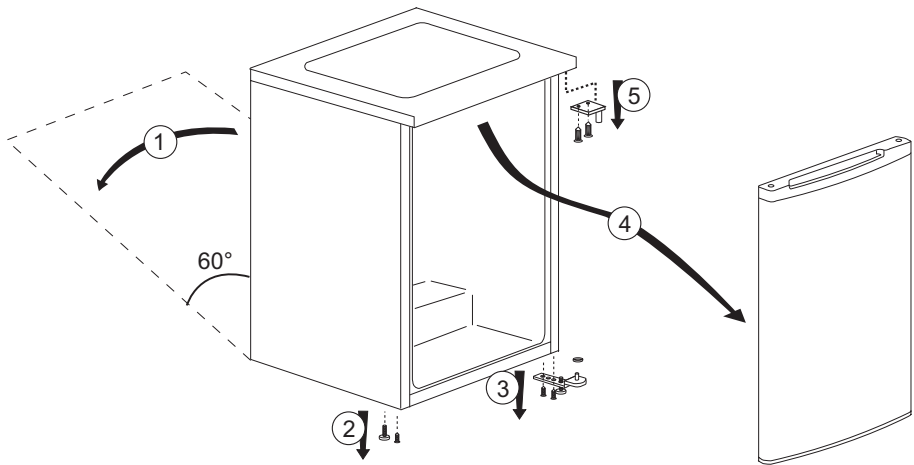
Para cambiar la bombilla utilizada para iluminar el frigorífico, póngase en contacto con el servicio técnico autorizado.

Las bombillas de este electrodoméstico no sirven para la iluminación en el hogar. Su propósito es el de ayudar al usuario a colocar los alimentos en el frigorífico o congelador de forma cómoda y segura.

Las lámparas utilizadas en este electrodoméstico soportan unas condiciones físicas extremas como temperaturas inferiores a -20°C .

Inversión de las puertas

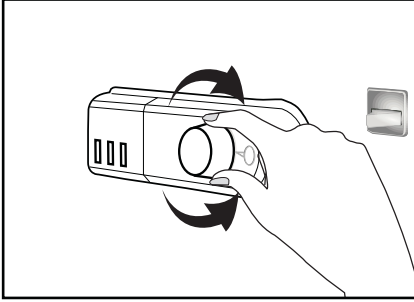
Proceder en orden numérico



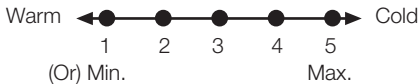
4 Preparación

- i** El frigorífico debe instalarse dejando una separación no inferior a 30 cm respecto a fuentes de calor tales como quemadores, hornos, calefacciones o estufas y no inferior a 5 cm con respecto a hornos eléctricos, evitando asimismo su exposición directa a la luz solar.
- i** La temperatura ambiente de la estancia donde instale el frigorífico no debe ser inferior a 5 °C. A temperaturas inferiores, el frigorífico puede ver reducida su eficacia.
- i** Asegúrese de limpiar meticulosamente el interior del frigorífico.
- i** En caso de que vaya a instalar dos frigoríficos uno al lado del otro, debe dejar una separación no inferior a 2 cm entre ellos.
- i** Al utilizar el frigorífico por primera vez, siga las siguientes instrucciones referentes a las primeras seis horas.
 - No abra la puerta con frecuencia.
 - No deposite alimentos en el interior.
 - No desenchufe el frigorífico.En caso de corte del suministro eléctrico ajeno a su voluntad, consulte las advertencias de la sección "Sugerencias para la solución de problemas".
- i** Guarde el embalaje original para futuros traslados.

5 Uso del frigorífico



La temperatura de funcionamiento se regula mediante el mando de control de temperatura.



1 = Nivel mínimo de refrigeración
(Posición de máximo calor)

5 = Nivel máximo de refrigeración
(Posición de máximo frío)

(0)

Mín. = Nivel mínimo de refrigeración

(Posición de máximo calor)

Máx. = Nivel máximo de refrigeración

(Posición de máximo frío)

La temperatura media en el interior del frigorífico debería ser de unos +5 °C.

Seleccione el ajuste en función de la temperatura deseada.

Puede detener el funcionamiento del frigorífico colocando el mando del termostato en la posición "0".

Tenga en cuenta que habrá diferentes temperaturas en el área de refrigeración.

La zona más fría se encuentra situada justo encima del compartimento de las verduras.

La temperatura interior depende asimismo de la temperatura ambiente, la frecuencia de apertura de la puerta y la cantidad de alimentos almacenados.

Una apertura frecuente de la puerta provoca una subida de la temperatura del interior.

Por este motivo, se recomienda cerrar la puerta lo antes posible después de cada uso.

A una temperatura ambiente superior a 30°C, retire la bandeja de desagüe para obtener un mejor rendimiento de enfriamiento.

La zona más fría se encuentra situada justo encima del compartimento de producción de cubitos.

En caso de humedad alta, es posible que aparezca condensación en su frigorífico, lo cual es normal. Puede secarla con un paño seco, conforme a las instrucciones de seguridad. La formación de hielo, escarcha y condensación son normales en la cubitera y en el contenedor de desagüe.

Deshielo del aparato

La formación de hielo excesivo afecta a la capacidad de refrigeración del frigorífico.

Por lo tanto, se recomienda deshelar su aparato al menos dos veces al año o cuando el espesor del hielo acumulado supere los 7mm.

Deshiele el frigorífico cuando no haya ningún o casi ningún alimento en su interior.

Retire los alimentos. Envuelva los alimentos congelados en varias capas de papel o en una manta y guardarlos en un lugar frío.

Desenchufe el aparato o bien desconecte el disyuntor para iniciar el proceso de deshielo.

Retire los accesorios (estantes, cajones, etc.) del aparato y utilice un recipiente adecuado para recoger el agua de deshielo.

Use una esponja o un trapo suave para eliminar el agua de deshielo en caso necesario.

Mantenga la puerta abierta durante el deshielo.

Para un deshielo más rápido, coloque recipientes con agua caliente en el interior del electrodoméstico.

No utilice nunca aparatos eléctricos, aerosoles de descongelación u objetos afilados tales como tenedores o cuchillos para retirar el hielo.

Después de realizar el deshielo, limpie el interior.

Vuelva a conectar el aparato a la corriente. Coloque los alimentos congelados en los cajones e inserte estos en el congelador.

Por su seguridad, desconecte el disyuntor y desenchufe el aparato para iniciar el proceso de deshielo.

Durante la descongelación, el regulador de tiro de la bandeja de evaporación debe colocarse en la misma posición que en el modo de invierno. Tras la descongelación, puede colocarse en la misma posición

que en los modos de verano o invierno, según se precise.

Refrigeración

Almacenamiento de los alimentos

El compartimento frigorífico está destinado al almacenamiento de alimentos frescos y bebidas por un periodo de tiempo breve.

Almacene los productos lácteos en el compartimento destinado a tal efecto.

Las botellas pueden guardarse en el portabotellas o en el estante para botellas de la puerta.

La carne cruda se conserva mejor en bolsas de polietileno dentro del compartimento inferior del refrigerador.

Deje enfriar los alimentos y las bebidas calientes antes de introducirlos en el frigorífico.

• Atención

Guarde el alcohol concentrado únicamente en recipientes en posición vertical y firmemente cerrados.

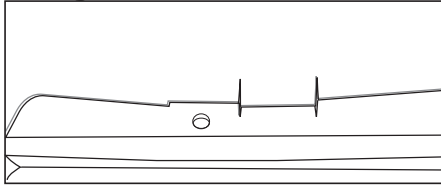
• Atención

No deposite en el electrodoméstico sustancias explosivas ni productos que contengan gases inflamables (botes de nata a presión, aerosoles, etc.).

Existe riesgo de explosión.



La protuberancia de punta cerrada mostrada forma parte del diseño, no tiene ningún efecto sobre el sistema de refrigeración.



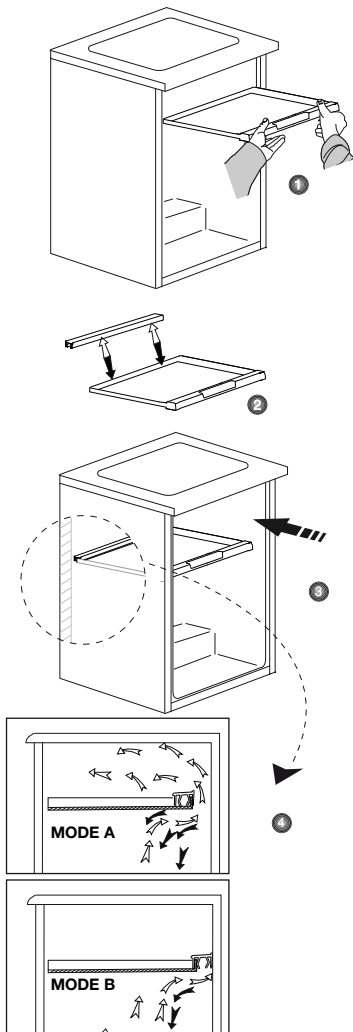
Es preciso usar el regulador de tiro de la bandeja de evaporación de la forma que se indica a continuación para mantener la temperatura de compartimento deseada en función de la temperatura ambiente, por ejemplo el modo de invierno para temperaturas ambiente frías y el modo de verano para temperaturas ambiente cálidas.

MODO DE VERANO

(Cuando se requiere una temperatura más baja en el compartimento.)

MODO DE INVIERNO

(Cuando se requiere una temperatura más alta en el compartimento.)



6 Mantenimiento y limpieza

- ⚠ No utilice nunca gasolina, benceno o sustancias similares para la limpieza.
- ⚠ Le recomendamos desenchufar el aparato antes de proceder a su limpieza.
- ❗ No utilice nunca para la limpieza instrumentos afilados o sustancias abrasivas, jabones, limpiadores domésticos, detergentes ni ceras brillantadoras.
- ❗ En el caso de productos con sistema de enfriamiento cíclico o estático, se pueden producir gotas de agua y una capa de hielo en la pared trasera del compartimento del frigorífico. No lo limpie, nunca aplique aceite o agentes similares en el mismo.
- ❗ Utilice solo paños de microfibra ligeramente humedecidos para limpiar la superficie exterior del producto. Las esponjas u otro tipo de paños de limpieza pueden rayar la superficie.
- ❗ Limpie el armario del frigorífico con agua tibia y séquelo con un paño.
- ❗ Para limpiar el interior, utilice un paño humedecido en un vaso grande de agua con una cucharadita de bicarbonato sódico disuelta y séquelo con un trapo.
- ⚠ Asegúrese de que no penetre agua en el alojamiento de la lámpara ni en otros elementos eléctricos.
- ⚠ Si no va a utilizar el frigorífico durante un periodo prolongado, desenchúfelo, retire todos los alimentos, límpielo y deje la puerta entreabierta.
- ❗ Compruebe regularmente los cierres herméticos de la puerta para asegurarse de que estén limpios y sin restos de alimentos.
- ❗ Para extraer las bandejas de la puerta, retire todo su contenido y, a continuación, simplemente empuje la bandeja hacia arriba desde su base.
- ❗ Nunca use agentes de limpieza o agua que contengan cloro para limpiar las superficies exteriores y los cromados del producto, ya que el cloro corroe dichas superficies metálicas.
- ❗ No utilice herramientas afiladas y abrasivas ni jabón, productos de limpieza domésticos, detergentes, gasolina, benceno, cera, etc., de lo contrario los sellos en las piezas de plástico se caerán y deformarán. Use agua tibia y un paño suave para limpiar y secar.

Protección de las superficies de plástico

- ❗ No deposite aceites líquidos o alimentos aceitosos en recipientes no cerrados ya que dañarán las superficies de plástico de su frigorífico. En caso de derrame de aceite sobre las superficies de plástico, limpie y enjuague con agua caliente la parte afectada de inmediato.

7 Sugerencias para la solución de problemas

Le rogamos compruebe la siguiente lista antes de llamar al servicio técnico. Ello puede ayudarle a ahorrar tiempo y dinero. Esta lista incluye problemas frecuentes no achacables a defectos en materiales o manufactura. Es posible que algunas de las características mencionadas no estén presentes en su producto.

El refrigerador no funciona

- ¿Está el frigorífico correctamente enchufado? Inserte el enchufe en la toma de corriente.
- ¿Están fundidos el fusible principal o el fusible del enchufe al cual ha conectado el frigorífico? Revise los fusibles.

Condensación en la pared lateral del compartimento refrigerador. (MULTI ZONE, COOL CONTROL y FLEXI ZONE)

- Condiciones ambientales muy frías. Frecuente apertura y cierre de la puerta. Nivel alto de humedad ambiental. Almacenamiento de alimentos que contienen líquidos en recipientes abiertos. Dejar la puerta entreabierta.
- Ponga el termostato a una temperatura más baja.
- Deje la puerta abierta durante menos tiempo o ábrala con menor frecuencia.
- Cubra los alimentos almacenados en recipientes abiertos con un material adecuado.
- Enjugue el agua condensada con un paño seco y compruebe si la condensación persiste.

El compresor no funciona

- El dispositivo térmico protector del compresor saltará en caso de un corte súbito de energía o de idas y venidas de la corriente, ya que la presión del refrigerante en el sistema de enfriamiento aún no se ha estabilizado.
- Su frigorífico se pondrá en marcha transcurridos unos 6 minutos. Llame al servicio técnico si su frigorífico no se pone en marcha transcurrido ese periodo.
- El frigorífico se encuentra en el ciclo de descongelación. Esto es normal en un frigorífico con descongelación automática. El ciclo de descongelación se produce de forma periódica.
- El frigorífico no está enchufado. Compruebe que el enchufe esté firmemente insertado en la toma de corriente.
- ¿Está la temperatura correctamente fijada? Hay un corte del fluido eléctrico. Llame a su electricista.

El frigorífico está en funcionamiento con frecuencia o durante periodos prolongados.

• Puede que su nuevo frigorífico sea más grande que el que tenía anteriormente. Esto es perfectamente normal. Los frigoríficos de mayor tamaño funcionan durante más tiempo.

• Es posible que la temperatura ambiente de la estancia sea más alta. Esto es perfectamente normal.

• Es posible que haya enchufado el frigorífico o bien lo haya cargado de alimentos recientemente. Puede que el frigorífico tarde unas dos horas en enfriarse por completo.

• Es posible que recientemente haya depositado grandes cantidades de alimentos en el frigorífico. Los alimentos calientes pueden ocasionar que el frigorífico trabaje durante más tiempo hasta alcanzar la temperatura de almacenamiento seguro.

• Es posible que las puertas se hayan abierto con frecuencia o que se hayan dejado entreabiertas por un tiempo prolongado. El aire caliente que ha penetrado en el frigorífico hace que éste funcione durante más tiempo. Abra las puertas con menos frecuencia.

• Es posible que la puerta del compartimento frigorífico o congelador se haya dejado entreabierta. Compruebe que las puertas estén bien cerradas.

• El frigorífico está ajustado a una temperatura muy baja. Ajuste la temperatura del frigorífico a un valor más alto y espere a que se alcance dicha temperatura.

• La junta de la puerta del compartimento frigorífico o congelador puede estar sucia, desgastada, rota o no asentada correctamente. Limpie o sustituya la junta. Una junta rota o dañada hace que el frigorífico funcione durante más tiempo con el fin de mantener la temperatura actual.

La temperatura del congelador es muy baja, mientras que la del frigorífico es correcta.

• La temperatura del congelador está ajustada a un valor muy bajo. Ajuste la temperatura del congelador a un valor más elevado y compruebe.

La temperatura del frigorífico es muy baja, mientras que la del congelador es correcta.

• La temperatura del compartimento frigorífico está ajustada a un valor muy bajo. Ajuste la temperatura del frigorífico a un valor más elevado y compruebe.

Los alimentos depositados en los cajones del compartimento frigorífico se están congelando.

• La temperatura del compartimento frigorífico está ajustada a un valor muy bajo. Ajuste la temperatura del frigorífico a un valor más elevado y compruebe.

La temperatura del congelador o el frigorífico es muy alta.

• La temperatura del frigorífico está ajustada a un valor muy alto. El ajuste de la temperatura del frigorífico afecta a la temperatura del congelador. Cambie la temperatura del frigorífico o del congelador hasta que alcance un nivel suficiente.

• Es posible que la puerta se haya quedado entreabierta. Cierre la puerta del todo.

• Es posible que recientemente haya depositado grandes cantidades de alimentos en el frigorífico. Espere hasta que el frigorífico o el congelador alcance la temperatura deseada.

• Es posible que el frigorífico haya sido enchufado recientemente. El enfriamiento completo del frigorífico lleva un tiempo debido a su tamaño.

Puede escucharse un sonido parecido al tic tac de un reloj saliendo del frigorífico.

- Este ruido procede de la electroválvula del frigorífico. La electroválvula garantiza el flujo de líquido refrigerante a través del compartimento, que puede ajustarse a temperaturas de enfriamiento o congelación así como llevar a cabo funciones de refrigeración. Esto es perfectamente normal y no es ninguna anomalía.

El nivel de ruidos propios del funcionamiento se incrementa cuando el frigorífico está en marcha.

- Las características de rendimiento del frigorífico pueden cambiar en función de las variaciones en la temperatura ambiente. Esto es perfectamente normal, no es ninguna avería.

Vibraciones o ruidos.

- El suelo no está nivelado ni es firme. El frigorífico oscila al moverlo lentamente. Compruebe que el suelo esté nivelado y sea firme y capaz de soportar el peso del frigorífico.

- El ruido puede deberse a los elementos guardados en el frigorífico. Tales objetos deben retirarse de la parte superior del frigorífico.

Pueden oírse ruidos como si un líquido se derramara o se pulverizara.

- Los líquidos y gases fluyen de acuerdo con los principios de funcionamiento del frigorífico. Esto es perfectamente normal, no es ninguna avería.

Puede oírse un ruido parecido al viento.

- Se utilizan ventiladores con el fin de hacer que el frigorífico se enfríe con eficiencia. Esto es perfectamente normal, no es ninguna avería.

Condensación en las paredes interiores del frigorífico.

- El tiempo cálido y húmedo favorece la formación de hielo y la condensación. Esto es perfectamente normal, no es ninguna avería.

- Las puertas están entreabiertas. Asegúrese de que las puertas estén completamente cerradas.

- Es posible que las puertas se hayan estado abriendo con frecuencia o que se hayan dejado abiertas durante un periodo prolongado. Abra las puertas con menor frecuencia.

Hay humedad en el exterior del frigorífico o entre las puertas.

- Puede que haya humedad ambiental. Esto es perfectamente normal en climas húmedos. Cuando el grado de humedad descienda, la condensación desaparecerá.

Mal olor en el interior del frigorífico.

- El interior del frigorífico debe limpiarse. Limpie el interior del frigorífico con una esponja empapada en agua caliente o agua con gas.

- Es posible que el olor provenga de algún recipiente o envoltorio. Utilice otro recipiente o materiales para envolver de una marca diferente.

La puerta (o puertas) no se cierra.

- Puede que los paquetes de alimentos depositados no dejen que las puertas se cierren. Recoloque los paquetes que estén obstruyendo la puerta.

- Es probable que el frigorífico no esté en posición completamente vertical sobre el suelo y que oscile si se lo mueve ligeramente. Ajuste los tornillos de elevación.

- El suelo no está nivelado o no es firme. Compruebe que el suelo esté nivelado y que sea capaz de soportar el peso del frigorífico.

Los cajones están atascados.

- Es posible que algún alimento toque el techo del cajón. Cambie la distribución de los alimentos en el cajón.

Si la superficie del producto está caliente

• Pueden observarse altas temperaturas entre las dos puertas, en los paneles laterales y en la parrilla trasera mientras el producto esté en funcionamiento. Se trata de algo normal y no requiere mantenimiento del servicio.

Моля първо да прочетете това ръководство!

Уважаеми клиенти,

Надяваме се, че вашият продукт, произведен в съвременни фабрики и проверен при най-стриктни процедури за контрол на качеството, ще ви осигури ефективна работа.




За целта, ви съветваме да прочетете внимателно цялото ръководство за употреба на продукта преди да го ползвате и да го държите под ръка за справки в бъдеще.

Това ръководство

- Ще ви помогне да използвате уреда по-най-бърз и безопасен начин.
 - Прочетете ръководството преди монтаж и работа с продукта.
 - Следвайте всички инструкции, особено тези за безопасност.
 - Дръжте ръководството на лесно достъпно място, тъй като може да се нуждаете от него.
 - Освен това, прочетете и другите листовки, доставени с продукта.
- Обърнете внимание, че това ръководство може да важи и за други модели уреди.

Символи и техните описания

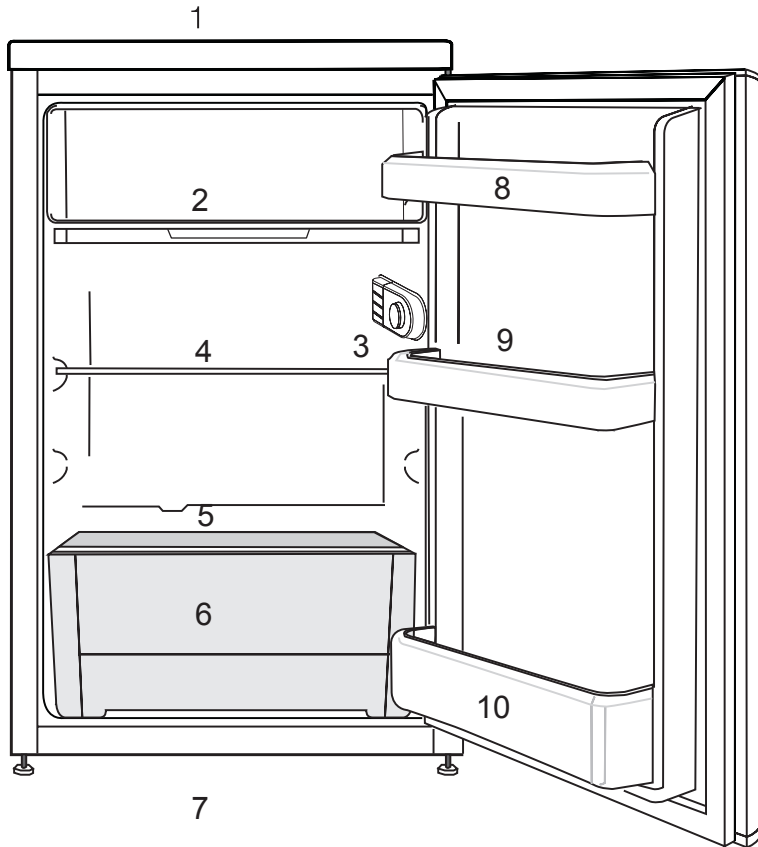
Това ръководство за употреба съдържа следните символи:

-  Важна информация или полезни съвети за употреба.
-  Предупреждения при опасност за живота или имуществото.
-  Предупреждения за електрическата мощност.

СЪДЪРЖАНИЕ

1 Вашият хладилник	4	4 Подготовка	16
2 Важни предупреждения относно безопасността	5	5 Употреба на хладилника ви	17
Употреба на уреда	5	Разлеждане на уреда.	17
За продукт с воден разпределител;	9	Охлаждане	18
Защита от деца	9	Съхранение на храна	18
Съвместимост с WEEE Директива за ихвърляне на отпадъчни продукти:	9	6 Поддръжка и почистване	20
Съвместимост с директивата за ограничаване на употребата на определени опасни вещества.	10	Предпазване на пластмасовите повърхности	20
Информация за опаковъчните материали	10	7 Възможни решения на възникнали проблеми	21
НС предупреждение	10		
Неща, които да направите с цел пестене на енергия	10		
3 Монтаж	12		
На какво да обърнете внимание при повторно транспортиране на хладилника	12		
Преди да започнете работа с хладилника	12		
Електрическо свързване	13		
Изхвърляне на опаковъчните материали	13		
Изхвърляне на стария ви хладилник	13		
Поставяне ни монтиране	13		
Регулиране на крачетата	14		
Подмяна на осветителната лампичка	14		
Обръщане на вратите	15		

1 Вашият хладилник



- | | |
|--|--|
| 1- Горен плот | 6- Контейнер за запазване на свежестта |
| 2- Дренажна тава | 7- Регулируеми предни крачета |
| 3- Вътрешна лампа и копче на термостата. | 8- Рафтове на вратата |
| 4- Подвижни рафтове | 9- Тава за яйца |
| 5- Капак на контейнера за запазване на свежестта | 10-Рафт за бутилки |

ⓘ Фигурите в настоящето ръководство за употреба са схематични и може да не отговарят точно на вашия уред. Ако споменатите части липсват във вашия уред, то те важат за други модели.

2 Важни предупреждения относно безопасността

Моля, прегледайте следната информация. Неспазването на тази информация може да доведе до наранявания или материални щети. В противен случай всякаква гаранция и отговорност стават невалидни.

Оригинални резервни части ще бъдат предоставяни 10 години след датата на покупка на продукта.

Употреба на уреда

⚠	ВНИМАНИЕ: Уверете се, че решетките на вентилационните отвори да са отворени при положение на устройството в амбалажния пакет или след поставяне на работното му място.
⚠	ВНИМАНИЕ: С изключение на препоръките, допустими от производителя, не използвайте механични или всякакви други устройства с цел ускоряване процеса на размразяване на устройството.
⚠	ВНИМАНИЕ: Не повреждайте действието на охладителната система на фреона.

⚠	ВНИМАНИЕ: Не използвайте електрическо оборудване в отделението за съхранение на хранителни продукти, недопустимо от производителя на устройството.
⚠	ВНИМАНИЕ: Не съхранявайте експлозивни вещества като например аерозолни спрейове в уреда.

- Това устройство е предназначено за домашна употреба или за използване при следните условия

- В магазини, офиси и други работни среди с цел използване от членовете на персонала в кухнята на работната среда,;
- Във фермерни къщи, хотели, мотели и други среди, предназначени за настаняване на гражданите за почивка;

Обща безопасност

- Когато решите да изхвърлите продукта, препоръчваме да се консултирате с оторизирания сервиз за да получите нужната информация за това, както и с оторизираните власти.
- Консултирайте се с оторизирания сервиз по всякакви въпроси и проблеми, свързани с хладилника. Не се опитвайте да поправяте сами или да

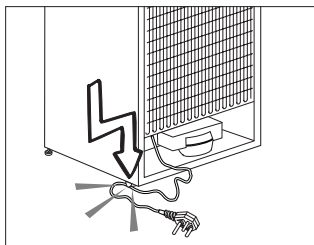
позволявате друг да прави това без да предупредите оторизирания сервиз.

- За продукти с фризерно отделение; Не яжте сладолед или кубчета лед веднага след като ги извадите от фризерното отделение! (Това може да доведе до измръзване в устата ви.)
- За продукти с фризерно отделение; Не поставяйте бутилирани или консервирани течности във фризерното отделение. В противен случай те може да се пръснат.
- Не пипайте замразената храна с ръце; тя може да се залепи за ръката ви.
- Изключете хладилника от контакта преди почистване или размразяване.
- Не бива никога да използвате пара и парни почистващи материали при почистването и разлеждането на хладилника. Парата може да влезе в контакт с електрическите части и да предизвика късо съединение или токов удар.
- Никога не използвайте частите на хладилника, като например вратата за подпора или за стъпване.
- Не използвайте електрически уреди вътре в хладилника.
- Не повреждайте частите, където циркулира охладителя с пробивни или режещи инструменти.

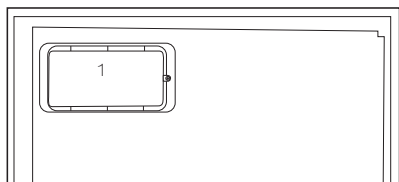
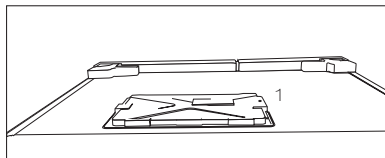
Евентуалното изтичане на охладител при пробиване на каналите на изпарителя, удълженията на тръбата или покритието върху повърхността може да предизвика раздразнения на кожата или нараняване на очите.

- Не покривайте и не блокирайте с предмети вентилационните отвори на хладилника.
- Електрическите устройства трябва да се ремонтират само от оторизирани лица. Ремонтът, извършен от некомпетентно лице може да създаде риск за потребителя.
- В случай на каквато и да е повреда или по време на поддръжка и ремонт, изключете хладилника от ел. захранване като изключите съответния бушон или извадите щепсела от контакта.
- Не дърпайте за кабела когато искате да извадите щепсела от контакта.
- Уверете се, че високоалкохолните напитки се съхраняват сигурно със затворени капачки и са разположени вертикално.
- Никога не съхранявайте спрейове съдържащи възпламеними или експлозивни вещества в хладилника.
- Не използвайте механични устройства или други

- средства, за да ускорите процеса на размразяване, освен посочените от производителя.
- Този уред не е предназначен за употреба от лица с физически, сензорни или умствени разстройства или лица без опит и познания (включително деца), освен ако те не са наблюдавани или инструктирани относно употребата на уреда от отговорно за безопасността им лице.
 - Не използвайте хладилника ако е повреден. Ако имате някакви съмнения, се обърнете към сервизния агент.
 - Електрическата безопасност на хладилника е гарантирана само ако заземяването на ел. инсталация в дома ви отговаря на съответните стандарти.
 - Излагането на продукта на дъжд, сняг, слънце и вятър представлява опасност от електрическа гледна точка.
 - Свържете се с оторизирания сервиз при повреда в хранящия кабел за да избегнете всякакъв риск.
 - Никога не включвайте хладилника в контакта по време на инсталация. В противен случай съществува риск за живота или от сериозно нараняване.
 - Тзи хладилник е предназначен само за съхранение на хранителни продукти. Той не бива да се ползва за никакви други цели.
 - Етикетът с технически спецификации е разположен върху лявата вътрешна стена на хладилника.
 - Ако в хладилникът ви има синя светлина, не я наблюдавайте продължително време с невъоръжено око или оптични уреди.
 - Никога не свързвайте хладилника с енергоспестяващи системи; те могат да повредят хладилника.
 - За ръчно контролирани хладилници, изчакайте поне 5 минути за да рестартирате хладилника след прекъсване в храняването.
 - Това упътване за употреба трябва да се предаде на новия собственик ако уредът бъде продаден на други лица.
 - Внимавайте да не повредите хранящия кабел при транспортирането на хладилника. Огъването на кабела може да доведе до пожар. Никога не поставяйте тежки предмети върху хранящия кабел. Не пипайте щепсела с мокри ръце когато включвате уреда в контакта.



- Не включвайте хладилника в разхлабени контакти.
- По причини на безопасността по външността или вътрешността на уреда не бива да се пръска директно вода.
- Не пръскайте субстанции, съдържащи възпламеними газове от рода на пропан газ в близост до хладилника за да избегнете риска от пожар и експлозия.
- Никга не поставяйте съдове, пълни с вода върху хладилника, тъй като това може да доведе до токов удар или пожар.
- Не препълвайте хладилника с прекомерно количество храна. Ако е препълнен, хранителните продукти може да паднат и да ви наранят или да повредят хладилника при отваряне на вратата. Никога не поставяйте предмети върху хладилника; в противен случай те може да изпаднат при отварянето и затварянето на вратата на хладилника.
- Тъй като се нуждаят от точно определена температура на съхранение (ваксини, температурно-зависими лекарства, научни материали, и др.) не бива да се държат в хладилника.
- Ако не бъде използван дълго време, хладилникът трябва да бъде изключен от контакта. Възможно е неизправност в захранващия кабел да доведе до пожар.
- Накрайникът на щепсела трябва да бъде редовно почистван за да се избегне риска от пожар.
- Хладилникът може да мърда ако регулируемите крачета не са стабилно закрепени на пода. Стабилното закрепване на регулируемите крачета на пода може да предпази хладилника от мърдане.
- При преместването на хладилника, не го хващайте за дръжката на вратата. В противен случай тя може да се откъсне.
- Ако се налага да поставите уреда до друг хладилник или фризер, разстоянието между двата уреда трябва да е поне 8см. В противен случай прилежащите странични стени може да се навлажнят.
- Никога не използвайте продукта, ако секцията, разположена в горната или задната част на вашия продукт с електронни печатни платки вътре, е отворена (печатна платка с електронно покритие) (1).



За продукт с воден разпределител;

- Налягането на входа за студена вода трябва да е максимум 90 psi (620 kPa). Ако налягането на водата надвиши 80 psi (550 kPa), използвайте клапана за ограничаване на налягането в мрежовата система. Ако не знаете как да проверите налягането на водата, потърсете помощ от професионален водопроводчик.
- Ако има риск от хидравлически удар във вашата инсталация, винаги използвайте оборудване за предотвратяване на хидравлически удар. Консултирайте се с професионален водопроводчик, ако не сте сигурни, че във вашата инсталация няма да възникне хидравлически удар.
- Не инсталирайте на входа за гореща вода. Вземете

предпазни мерки срещу замръзване на маркучите. Работният интервал на температурата на водата трябва да е минимум 33°F (0,6°C) и максимум 100°F (38°C).

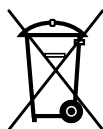
- Използвайте само питейна вода.

Защита от деца

- Ако на вратата е поставена ключалка, ключът трябва да се държи далеч от достъпа на деца.
- Децата трябва да бъдат надзиравани за да се избегне играене с уреда.

Съвместимост с WEEE

Директива за изхвърляне на отпадъчни продукти:



Продуктът отговаря на изискванията на директивата на ЕС за изхвърляне на отпадъчни продукти (2012/19/EU). Този продукт носи

класификационен символ за отпадъчно електрическо и електронно оборудване (WEEE).

Продуктът е произведен от висококачествени части и материали, които могат да се използват повторно и са подходящи за рециклиране. Не изхвърляйте уреда заедно с обикновените битови и други отпадъци в края на оперативния му живот. Занесете го в събирателния център за рециклиране на електронно

и електрическо оборудване. Обърнете се към местните власти за повече подробности относно тези събирателни центрове.

Съвместимост с директивата за ограничаване на употребата на определени опасни вещества
Закупеният от вас продукт отговаря на изискванията на директивата за ограничаване на употребата на определени опасни вещества на ЕС (2011/65/EU). Той не съдържа никой от вредните и забранени материали, описани в Директивата.

Информация за опаковъчните материали

Опаковъчните материали на продукта са произведени от рециклируеми материали съгласно нашите национални наредби за опазване на околната среда. Не изхвърляйте опаковъчните материали заедно с битовите и други отпадъци. Занесете ги в пунктовете за събиране на опаковъчни материали, определени от местните власти.

НС предупреждение

Ак охлаждащата система на уреда ви съдържа R600a:

Този газ е запалим. Затова внимавайте да не повредите охлаждащата система и тръбите при употреба и транспорт. В случай на повреда, дръжте продукта далеч от потенциални

източници на огън, което може да доведе до подпалването на уреда и проветрявайте стаята, където се намира той.

Не взимайте предвид това предупреждение ако охлаждащата ви система съдържа R134a.

Типът газ, използван в продукта, е обозначен на страничната табелка с данни върху вътрешната лява страна на хладилника. Никога не изхвърляйте уреда в огън.

Неща, които да направите с цел пестене на енергия

- Не оставяйте вратите на хладилника отворени за дълго.
- Не прибирайте горещи храни и напитки в хладилника.
- Не препълвайте хладилника за да не се затруднява въздушната циркулация вътре в него.
- Не инсталирайте хладилника под пряка слънчева светлина или в близост до уреди, излъчващи топлина, като фурни, съдомиялни машини или радиатори.
- Дръжте храната в затворени контейнери.
- За уреди с фризерно отделение; Можете да съхранявате максимално количество хранителни продукти ако свалите рафта или чекмеджето на

хладилника. Стойността на енергийната консумация, посочена върху хладилника, е измерена при свален рафт или чекмедже на фризера и при максимално зареждане. Няма никаква опасност да използвате рафт или чекмедже в зависимост от формата и размера на хранителните продукти които замразявате.

- Разлеждането на замразена храна в хладилника ще осигури както пестене на енергия, така и ще запази качеството на хранителните продукти.

3 Монтаж

⚠ Запомнете, че производителят не носи отговорност, в случай, че предоставената в ръководството за употреба информация не се спазва.

На какво да обърнете внимание при повторно транспортиране на хладилника

1. Хладилникът трябва да се изпразни и почисти преди всяко транспортиране.
2. Рафтовете, аксесоарите, контейнера за запазване свежестта и др. в хладилника трябва да се залепят добре с изолирбанд срещу другането при пренасяне.
3. Опаковката трябва да се обиколи с дебело тиксо и здрави въжета и правилата за транспортиране, напечатани върху опаковката, да се спазват.

Не забравяйте...

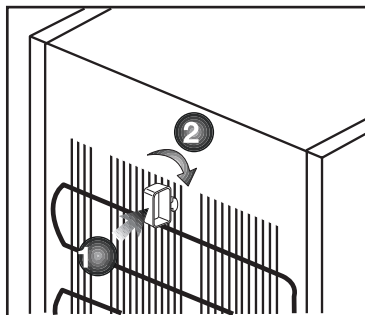
Всеки рециклиран продукт е от ползва за природата и националните ресурси.

Ако искате да допринесете за рециклирането на опаковъчните материали, може да получите информация за това от местните власти и органи за опазване на околната среда.

Преди да започнете работа с хладилника

Преди да започнете употреба на хладилника, моля поверете следното:

1. Вътрешността на хладилника суха ли е и може ли въздухът да циркулира свободно в задната му част?



2. Може да монтирате двата пластмасови клина както е показано на илюстрацията. Пластмасовите клинове осигуряват нужната дистанция между хладилника и стената, така че да се осигури циркулация на въздух. (Илюстрацията на фигурата е само пример и не отговаря точно на вашия продукт.)
3. Почистете вътрешността на хладилника, както е препоръчано в раздел "Поддръжка и почистване".
4. Включете хладилника в контакта. При отваряне на вратата вътрешната лампичка светва.
5. Ще чуете шум, когато компресорът започне да работи. Нормално е течността и газовете в охладителната система да издават шум, дори компресорът да не работи.
6. Предните ъгли на хладилника може да са топли на пипане. Това е нормално. Тези части са проектирани да бъдат топли с цел избягване на кондензацията.

Електрическо свързване

Свържете хладилника към заземен контакт, който се предпазва от бушон с подходящ капацитет.

Важно:

- Свързването трябва да бъде направено в съответствие с наредбите в страната.
- Щепселът трябва да е лесно достъпен след монтажа.
- Посочената мощност трябва да отговаря на мощността на вашето захранване.
- При свързването не бива да се ползват удължители и разклонители.

⚠ Ако кабелът е повреден, той трябва да се подмени от квалифициран техник.

⚠ Уредът не бива да се ползва преди той да бъде поправен! Съществува опасност от токов удар!

Изхвърляне на опаковъчните материали

Опаковъчните материали може да представляват опасност за децата. Дръжте опаковъчните материали далеч от достъпа на деца или ги изхвърлете разделно, в съответствие с указанията за изхвърляне на отпадъци. Не ги изхвърляйте заедно с другите битови отпадъци.

Опаковката на вашия хладилник е изработена от рециклируеми материали.

Изхвърляне на стария ви хладилник.

Изхвърлете стария си уред така, че да не навредите на околната среда.

- Може да се консултирате с оторизирания търговец или центъра за събиране на отпадъци във вашата община относно изхвърлянето на хладилника ви.

Преди да изхвърлите хладилника ви, отрежете кабела и, ако вратата е със заключалки, ги направете неизползваеми, така, че да предпазите децата от всякакви евентуални рискове.

Поставяне ни монтиране

⚠ Ако вратата на стаята, където ще инсталирате хладилника, не е достатъчно широка за да мине уреда през нея, се обадете в оторизирания сервиз за да свалят вратите на хладилника и го вкарайте странично през вратата.

1. Инсталирайте хладилника на място, където може лесно да се ползва.
2. Дръжте хладилника далеч от топлинни източници, задушни места и пряка слънчева светлина.
3. Трябва да осигурите добра вентилация около хладилника за да може той да работи ефективно. Ако ще монтирате хладилника в ниша в стената, трябва да има поне 5 см разстояние от тавана и стената. Ако подът е покрит с килим, уредът трябва да се повдигне на 2.5 см от пода.
4. Поставете хладилника върху равна подова повърхност за да се избегне клатене на уреда.

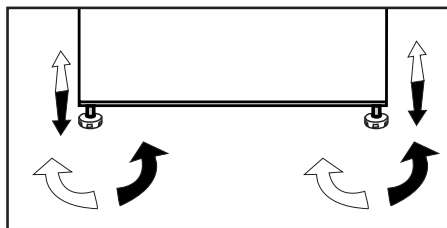
Регулиране на крачетата

Ако хладилникът ви не е балансиран;

Може да балансирате хладилника като завъртите предните крачета както е показано на илюстрацията.

Ъгълът, където е крака се понижава при завъртане по посока на черната стрелка и се увеличава при завъртане в обратната посока.

Процесът се улеснява ако някой ви помогне като повдигне леко хладилника.



Подмяна на осветителната лампичка

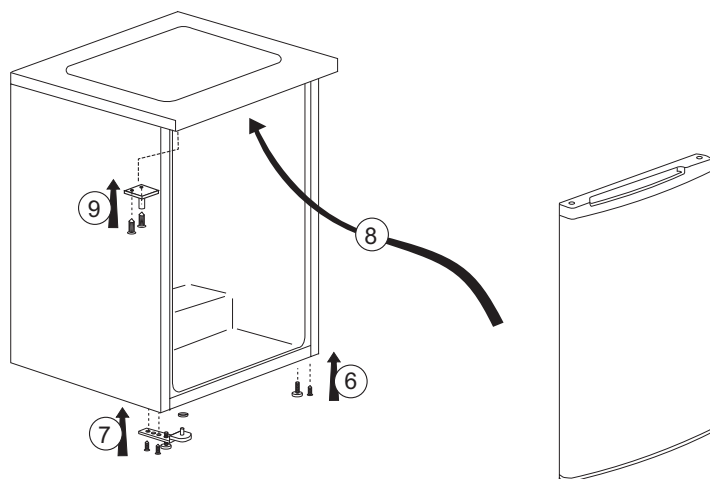
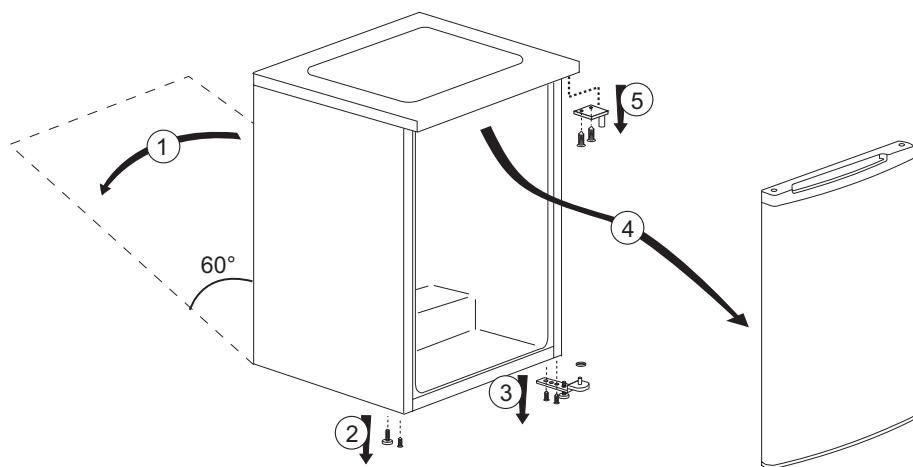
За да подмените лампичката в хладилника, моля обадете се в оторизирания сервиз.

Лампата(ите) в този уред не са подходящи за осветление в битови помещения. Предназначението на тази лампа е да помага на потребителя да оставя хранителни продукти в хладилника/фризера по безопасен и удобен начин.

Лампите, използвани в този уред, трябва да издържат на екстремни физически условия като температура под -20°C .

Обръщане на вратите

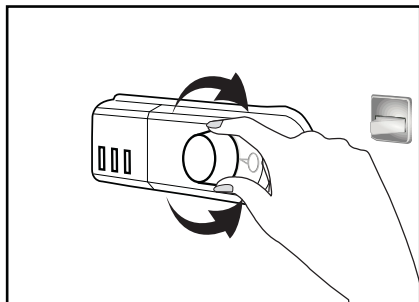
Процедирайте по следния начин



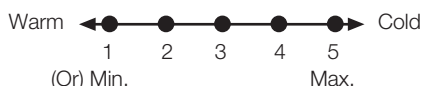
4 Подготовка

- i** Хладилникът ви трябва да се инсталира поне на 30 см разстояние от топлинни източници като котлони, фурни, централно парно, на поне 5 см от електрически печки и не трябва да се излага на пряка слънчева светлина.
- i** Температурата в стаята, където ще инсталирате хладилника, трябва да е поне 5 °С. Употребата на хладилника при по-студени условия не е препоръчителна, тъй като това се отразява на ефективността му.
- i** Проверете дали вътрешността на хладилника е почистена изцяло.
- i** Ако два хладилника се инсталират един до друг, трябва да има поне 2 см разстояние помежду им.
- i** Когато използвате хладилника за първи път, следвайте следните указания през първите шест часа.
 - Вратата не бива да се отваря често.
 - Хладилникът трябва да работи празен, без храна в него.
 - Не изключвайте хладилника от щепсела. Ако има прекъсване на захранването, което не можете да контролирате, моля прочетете предупрежденията в раздел “Възможни решения на възникнали проблеми”.
- i** Оригиналната опаковка и изолиращи материали трябва да се запазят за бъдещо транспортиране или преместване.

5 Употреба на хладилника ви



Работната температура се контролира от температурния регулатор.



1 = Най-слабо охлаждане (Най-топло)

5 = Най-силно охлаждане (Най-студено)

(или)

Min. = Най-слабо охлаждане (Най-топло)

Max. = Най-силно охлаждане (Най-студено)

Средната температура в хладилника трябва да бъде около +5° C.

Моля, настройте според желаната температура.

Може да спрете работата на хладилника като поставите термостата на положение "0".

Забележете, че температурите са различни в различните охлаждателни части.

Най-студено е над отделениято за зеленчуци.

Вътрешната температура зависи и от температурата на околната среда, честотата на отваряне на вратата и количеството храна, съхранявана в хладилника.

Честото отваряне на вратата води до повишаване на вътрешната температура.

Затова се препоръчва възможно най-бързо затваряне на хладилника след ползване.

При температура на околната среда по-висока от 30°C, извадете дренажната тава за по-добро охлаждане.

Най-студено е точно под отделениято за направа на лед.

При условия на висока влажност, в хладилника може да се получи кондензация; това не е повреда.

Може да се забърше със сух парцал като се спазват указанията за безопасност. Формирането на лед, срез и кондензация са нормални явления в отделениято за лед и в контейнера за източване на водата.

Разлеждане на уреда.

Прекомерното количество наслоен лед се отразява на качеството на охлаждане на уреда.

Затова се препоръчва разлеждане на уреда поне два пъти в годината, или когато нивото на наслоения лед надвишава 7мм.

Размразяването трябва да се извършва при извадена от хладилника храна или с много малко останала вътре.

Извадете хранителните продукти. Увийте дълбоко замразените

продукти в няколко слоя хартия, или одеяло и ги дръжте на хладно място.

Изключете уреда от контакта или изключете прекъсвача за да започнете разлеждането.

Извадете всички принадлежности (като рафтове, чекмеджета и т.н.) от уреда и използвайте подходящ съд за събиране на оттичащата се вода.

Ако е необходимо използвайте гъба или мек парчал за да попиете стичащата се вода в отделенията.

Дръжте вратата отворена по време на разлеждането.

За по-бързо разлеждане може да поставите съдове с гореща вътре вода в уреда.

Никога не използвайте електрически уреди, разлеждащи спрейове или остри предмети като ножове или вилици за да махнете леда.

След завършване на разлеждането, почистете вътрешността на уреда.

Сега може да включите уреда от захранващия кабел. Сложете замразената храна в чекмеджетата и ги поставете във фризера.

Изключете прекъсвача и изключете уреда от контакта за да осигурите безопасността си при започване на процеса на разлеждане.

По време на разлеждането, тавата-изпарител трябва да е разположена като в зимен режим.

След разлеждането, може да се разположи по желание в зимен или летен режим.

Охлаждане **Съхранение на храна**

Хладилното отделение служи за краткотрайно съхранение на пресни храни и напитки.

Съхранявайте млечните продукти в съответното отделение на хладилника.

Бутилките могат да се съхраняват в държача за бутилки или на рафта за бутилки на вратата.

Суровото месо се съхранява най-добре в найлонова торбичка в отделениято в най-долната част на хладилника.

Оставете топлата храна и напитки да се охладят до стайна температура преди да ги поставите в хладилника.

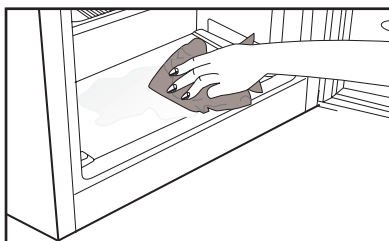
• Внимание

Съхраняването на концентриран алкохол става само в изправено положение и плътно затворен.

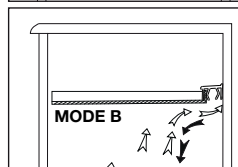
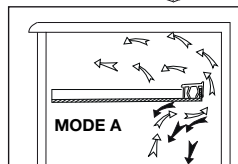
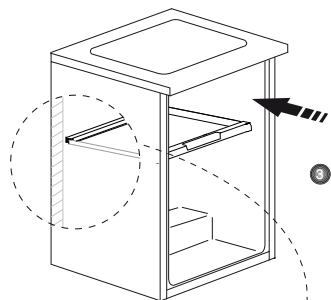
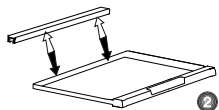
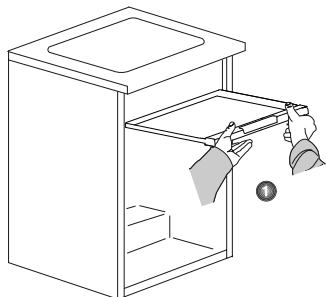
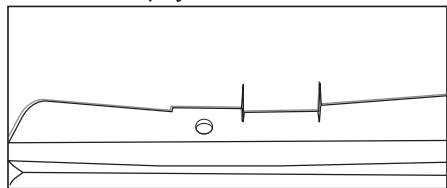
• Внимание

Не съхранявайте експлозивни материали и съдове с запалими пропилен газове (спрей-сметана и др.) в уреда.

Има опасност от експлозия.



Показаното разклонение със затворен накрайник е част от дизайна, то не оказва никакво влияние върху охлаждането.



Тавата-изпарител трябва да се използва както е указано по-долу с цел поддържане на желаната температура в зависимост от емпературата на заобикалящата среда, трябва да се използва зимен режим за студена среда и летен режим за гореща среда.

ЛЕТЕН РЕЖИМ

(При необходимост от по-ниска температура в отделението.)

ЗИМЕН РЕЖИМ

(При необходимост от по-висока температура в отделението.)

6 Поддръжка и почистване

- ⚠ Никога не използвайте газ, бензин или подобни вещества за почистване на уреда.
- ⚠ Препоръчваме ви да изключите уреда от контакта, преди почистване.
- ⓘ Никога не използвайте за почистване остри или абразивни материали, сапун, домакински препарати, перилни препарати или полир.
- ⓘ За продуктите, които не притежават функция за предотвратяване на замразяването, водните капки могат да образуват слой с дебелина до ширината на пръст по задната страна на хладилното отделение. Не го почиствайте; никога не прилагайте смазка или други подобни препарати-
- ⓘ Използвайте само леко навлажнена микрофибърна кърпа, за да почистите външната повърхност на продукта. Гъбите и другите типове почистващи кърпи могат да надраскат повърхностите.
- ⓘ Използвайте хладка вода, за да почистите корпуса на хладилника, и подсушете.
- ⓘ Използвайте влажна кърпа, натопена в разтвор от една супена лъжица сода бикарбонат в половин литър вода, за да почистите вътрешността, и подсушете.
- ⚠ В гнездото на лампата и другите електрически компоненти не бива да навлиза вода.
- ⚠ Ако хладилникът няма да се използва дълго време, изключете го от контакта, извадете всички хранителни продукти, почистете го и оставете вратата откритата.
- ⓘ Редовно проверявайте уплътненията на вратата, за да сте сигурни, че са чисти и че по тях няма хранителни остатъци.
- ⓘ За да свалите рафт от вратата, извадете всички продукти и го бутнете нагоре от основата му.
- ⓘ Никога не използвайте почистващи препарати или вода със съдържание на хлор за почистване на външните повърхности и хромираните части на продукта. Хлорът разяжда такива метални повърхности.
- ⓘ Не използвайте остри и абразивни инструменти или сапун, домашни почистващи препарати, перилни препарати, бензин, бензол, восъчни и т.н., в противен случай шампите върху пластмасови части ще изчезнат и ще настъпи деформация. Използвайте топла вода и мека кърпа за почистване и подсушаване.

Предпазване на пластмасовите повърхности

- Не слагайте течни мазнини или готвени в мазината ястия в хладилника освен в затворен контейнер, тъй като те повреждат пластмасовите повърхности на хладилника. В случай на разливане или омазване на пластмасовите повърхности с мазнина, почистете и изплакнете съответната част от повърхността с топла вода.

7 Възможни решения на възникнали проблеми

Моля, прегледайте този списък преди да се обадите в сервиса. Това може да ви спести време и пари. Този списък съдържа проблеми, които не са в резултат на дефетно производство или лоша употреба на материали. Някои от описаните тук характеристики може да не са налични на вашия продукт.

Хладилникът не работи
<ul style="list-style-type: none">• Хладилникът правилно ли е включен в контакта? Включете щепсела в контакта.• Да не е изгорял бушонът на контакта, към който е свързан хладилника или главният бушон? Проверете бушона.
Кондензация на вода по страничната стена на хладилното отделение (MULTI ZONE, COOL CONTROL ve FLEXI ZONE)
<ul style="list-style-type: none">• Много студени външни температурни условия. Често отваряне и затваряне на вратата. Много влажни външни условия. Съхранение на храни със съдържание на течности в отворените контейнери. Оставена откритата вратата.• Превключете термостата на по-ниска стойност.• Дръжте вратата отворена по-кратко време или я използвайте по-рядко.• Покривайте храните, съхранявани в отворени контейнери с подходящи материали.• Избършете кондензираната вода със сух парцал и проверете дали се кондензира отново.

Компресорът не работи

- Защитният термостат на компресора се изключва при внезапно прекъсване в захранването или при включване и изключване от контакта тъй като налягането на охладителя в охладителната система на хладилника все още не е уравновесен.
- Хладилникът ще започне да работи след около 6 минути. Ако след този период от време хладилникът не почне да работи, се свържете със сервиса.
- Хладилникът е в цикъл на разлеждане. Това е нормално за хладилник с напълно автоматично разлеждане. Цикълът на разлеждане се задейства периодично.
- Хладилникът не е включен в контакта. Проверете дали щепселът е пъхнат докрай в контакта.
- Правилно ли са направени температурните настройки? Прекъснато е ел. захранването. Обадете се в енергоснабдяване.

Хладилникът работи често или продължително време

- Новият ви хладилник може да е по-широк от предишния. Това е съвсем нормално. Големите хладилници работят по-дълго време.
- Стайната температура е висока. Това е нормално.
- Хладилникът може скоро да е включен в контакта или да е зареден с храна. Пълното охлаждане на хладилника може да продължи няколко часа по-дълго.
- Възможно е наскоро да сте поставили големи количества топла храна в хладилника. Горещата храна води до по-продължителна работа на хладилника до достигане на необходимата ѝ температура на съхранение.
- Вратите може да са били отворяни често или оставени открити за дълго време. Топлият въздух, проникнал в хладилника, го кара да работи за по-продължителни периоди. Избягвайте да отваряте вратите толкова често.
- Вратата на фризерното или хладилно отделение може да е била оставена откритата. Проверете дали вратите са плътно затворени.
- Хладилникът е настроен на много ниска температура. Настройте хладилника на по-висок градус и изчакайте докато достигне температурата.
- Уплътнението на вратата на хладилника или фризера може да е замърсено, износено, повредено или неправилно поставено. Почистете или подменете уплътнението. Повреденото уплътнение кара хладилника да работи по-продължително време за да поддържа температурата.

емпературата във фризера е много ниска, докато температурата в хладилника е задоволителна

• Фризерът е настроен на много ниска температура. Настройте температурата във фризера на по-висока стойност и проверете.

Температурата в хладилника е много ниска, докато температурата във фризера е задоволителна

• Хладилникът е настроен на много ниска температура. Настройте температурата в хладилника на по-висока стойност и проверете.

Хранителните продукти, съхранявани в чекмеджетата на хладилното отделение, замръзват.

• Хладилникът е настроен на много ниска температура. Настройте температурата в хладилника на по-висока стойност и проверете.

Температурата в хладилника или фризера е много висока.

- Хладилникът е настроен на много висока температура. Настройката на хладилника оказва влияние върху температурата във фризера. Променете температурата в хладилника или фризера до достигане на задоволително ниво.
- Вратата може да е оставена откритата. Затворете вратата докрай.
- Възможно е наскоро да сте поставили големи количества топла храна в хладилника. Изчакайте хладилникът или фризерът да достигнат желаната температура.
- Хладилникът може скоро да е включен в контакта. Пълното охлаждане на хладилника отнема време поради големият обем.

От хладилника се чува шум, подобен на часовниково тиктакане.

<ul style="list-style-type: none"> • Този шум идва от електромагнитния клапан на хладилника. Електромагнитният клапан работи за да подсигури преминаването на охлаждащата течност през отделението, което може да се настрои на охлаждащи или зампазяващи температури и осигурява охлаждащия ефект. Това е нормално и не е признак на повреда. 	<ul style="list-style-type: none"> • Топлият и влажен климат повишава залеждането и кондензацията. Това е нормално и не е повреда. • Вратите са откренати. Проверете дали вратите са плътно затворени.
<p>Работният шум се увеличава когато хладилникът работи.</p>	<ul style="list-style-type: none"> • Вратите може да са отваряни твърде често или да са оставени отворени продължително време. Избягвайте да отваряте вратата толкова често.
<ul style="list-style-type: none"> • Оперативните характеристики на хладилника ви може да се променят в зависимост от промените на околната температура. Това е нормално и не е повреда. 	<p>Отвън на хладилника или между вратите се събира влага.</p>
<p>Вибрации или шум.</p>	<ul style="list-style-type: none"> • Климатът е влажен. Това е съвсем нормално при влажен климат. Когато влажността във въздуха намалее, кондензираната вода ще изчезне.
<ul style="list-style-type: none"> • Подът не е равен или издръжлив. Хладилникът се люлее при леко помръдване. Уверете се, че подът е равен, издръжлив и способен да издържи хладилника. • Шумът може да идва от предметите, поставени върху хладилника. Те трябва да се свалят от хладилника. 	<p>Лоша миризма в хладилника.</p>
<p>Чуват се шумове като от разливане на течност или спрей.</p>	<ul style="list-style-type: none"> • Вътрешността на хладилника трябва да се почисти. Почистете вътрешността на хладилника с гъба, топла или газирана вода.
<ul style="list-style-type: none"> • Потокът на течност и газ е в съответствие с оперативните принципи на хладилника ви. Това е нормално и не е повреда. 	<ul style="list-style-type: none"> • Миризмата може да излиза от контейнери или опаковъчни материали. Използвайте друг контейнер или различна марка опаковъчни материали.
<p>Чува се шум като от духане на вятър.</p>	<p>Вратата/вратите не се затваря(т).</p>
<ul style="list-style-type: none"> • Въздушните активатори (вентилатори) се използват за да може хладилникът да охлажда по-ефективно. Това е нормално и не е повреда. 	<ul style="list-style-type: none"> • Пакетите с храна може да пречат на затварянето на вратата. Преместете пакетите, които пречат на вратата.
<p>Кондензация по вътрешните страни на хладилника.</p>	<ul style="list-style-type: none"> • Хладилникът може да не е нивелиран напълно вертикално върху пода и да се люлее при леко помръдване. Настояйте повдигащите винтове.
<p>Кондензация по вътрешните страни на хладилника.</p>	<ul style="list-style-type: none"> • Подът не е равен или издръжлив. Уверете се, че подът е равен и способен да издържи хладилника. <p>Контейнерите за запазване на свежестта са заклейчени.</p>

- Храната може да докосва горната част на чекмеджето. Разместете храната в чекмеджето.

Ако Повърхностите На Уреда Са Горещи

- Докато уредът работи, могат да се наблюдават високи температури между двете врати, страничните панели и задната решетка. Това е нормално и не изисква сервизна услуга!

Будь ласка, спочатку прочитайте цю інструкцію!

Шановний покупець!

Сподіваємося, що цей товар, виготовлений на сучасних підприємствах і перевірений за допомогою найприскіпливіших процедур контролю, ефективно слугуватиме вам у побуті.

Для цього рекомендуємо вам прочитати всю інструкцію до кінця, перш ніж користуватися холодильником, і зберегти її для майбутнього використання у довідкових цілях.




Ця інструкція

- допоможе вам користуватися приладом у швидкий і безпечний спосіб;
- прочитайте інструкцію, перш ніж встановлювати холодильник і користуватися ним;
- дотримуйтеся інструкцій, особливо з питань техніки безпеки;
- зберігайте інструкцію в легкодоступному місці, оскільки вона може знадобитися вам пізніше;
- крім того, прочитайте також інші документи, що надаються разом із холодильником.

Зверніть увагу, що ця інструкція може бути дійсною для інших моделей.

Символи та їхній опис

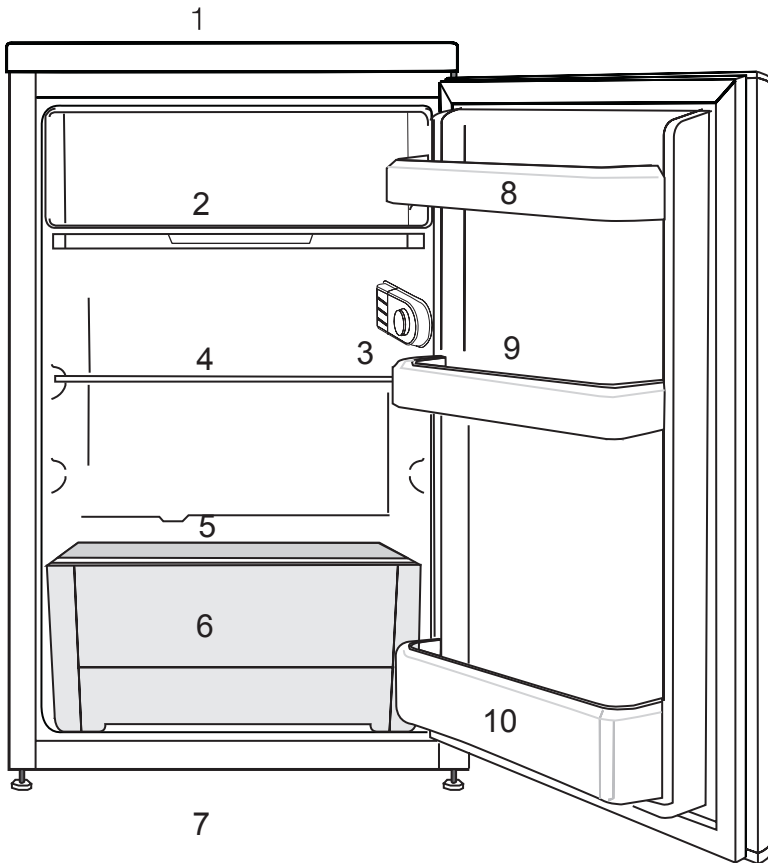
Ця інструкція містить наступні символи:

-  Важлива інформація або корисні поради з користування.
-  Попередження про небезпечні ситуації для життя та майна.
-  Попередження про електричну напругу.

ЗМІСТ

1	Опис холодильника	4	4	Підготовка	16	
2	Важливі вказівки з техніки безпеки	5	5	Користування холодильником	17	
	Призначення.....	5		Розморожування приладу	17	
	9		Охолодження.....	18	
	Для пристроїв із	9		Зберігання продуктів.....	18	
	розподільником води:	9		6	Догляд та очищення	20
	Безпека дітей	9		Захист пластикових поверхонь	20	
	Відповідність Директиві щодо			7	Рекомендації з усунення	21
	відпрацьованого електричного			несправностей		
	й електронного обладнання					
	(Директива WEEE) й утилізація					
	відходів	9				
	Відповідність Директиві щодо					
	обмеження використанням					
	шкідливих речовин (RoHS).....	10				
	Інформація про упаковку.....	10				
	Як заощадити електроенергію	10				
3	Установка	12				
	Що слід враховувати при					
	транспортуванні приладу	12				
	Перед увімкненням					
	холодильника	12				
	Підключення до електромережі	13				
	Утилізація упаковки	13				
	Утилізація вашого старого					
	холодильника	13				
	Розміщення та Установка	13				
	Регулювання ніжок.....	14				
	Перенавішування дверцят	15				

1 Опис холодильника



- | | |
|--|------------------------------|
| 1. Верхня Обробка | 7. Регульовані Передні Ніжки |
| 2. Дренажний Лоток | 8. Дверні Полиці |
| 3. Внутрішнє Освітлення І Ручку Термостата | 9. Яєць |
| 4. Рухливі Полки | 10. Для Пляшок |
| 5. Crisper Кришкою | |
| 6. Crisper | |

❏ Ілюстрації в даній інструкції є схематичними і можуть відрізнятися від вашої моделі. Якщо до комплектації моделі, яку ви придбали, не входять згадані деталі, вони призначені для інших моделей.

2 Важливі вказівки з техніки безпеки

Ознайомтеся з наведеною нижче інформацією. Ігнорування цієї інформації може призвести до травмування чи пошкодження пристрою. В такому разі гарантія і будь-які зобов'язання виробника стосовно надійної роботи пристрою будуть анульовані. Оригінальні запасні частини будуть постачатися протягом 10 років з моменту придбання виробу.

Призначення



ПОПЕРЕДЖЕННЯ:

Під час зберігання або встановлення приладу вентиляційні отвори повинні бути відкриті.



ПОПЕРЕДЖЕННЯ:

Для того, щоб прискорити процес розморожування не використовуйте механічні та інші предмети, крім пристосувань, рекомендованих виробником.



ПОПЕРЕДЖЕННЯ:

Контур холодоагенту не повинен бути пошкоджений.



ПОПЕРЕДЖЕННЯ

:Не кладіть всередину камери для зберігання продуктів електричні прилади, які не рекомендовані виробником.

Прилад призначений лише для використання в домашніх або нижченаведених умовах:

- на кухнях для персоналу в магазинах, офісах та інших установах;
- на фермах або готелях, в мотелях та інших гостьових будинках для використання клієнтами.
- готелі типу «ліжко та сніданок»;
- підприємства громадського харчування та інші види використання не в роздрібній торгівлі

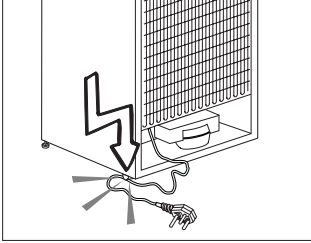
Загальні правила техніки безпеки

- Якщо ви бажаєте утилізувати/ліквідувати пристрій, рекомендуємо звернутися до авторизованої сервісної служби та компетентних органів для отримання необхідної інформації.
- З усіма питаннями та проблемами стосовно холодильника звертайтеся до уповноваженої сервісної служби. Без повідомлення уповноваженої сервісної служби не втручайтеся в роботу холодильника й не дозволяйте робити це іншим.

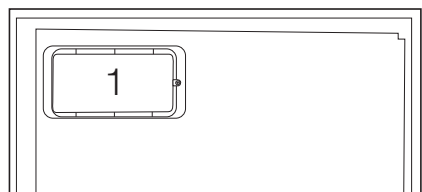
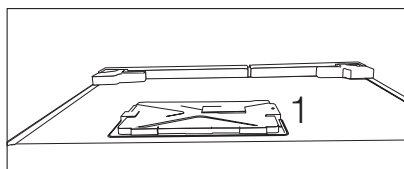
- Для пристроїв з морозильним відділенням: не їжте морозиво та кубики льоду одразу після виймання їх з морозильного відділення! (Це може викликати обмороження ротової порожнини.)
- Для приладів з морозильним відділенням: не ставте рідкі напої у пляшках чи банках до морозильного відділення. Вони можуть лопнути.
- Не торкайтеся руками заморожених продуктів; вони можуть примерзнути до шкіри.
- Перед чисткою чи розморожуванням від'єднуйте холодильник від електромережі.
- Не використовуйте пару та засоби для чищення, які можуть випаруватися, для чищення та розморожування вашого холодильника. У такому випадку пара може скотактувати з електричними частинами та викликати коротке замикання чи удар електричним струмом " to " Не використовуйте пару та засоби для чищення, які можуть випаруватися, для чищення та розморожування вашого холодильника. У такому випадку пара може скотактувати з електричними частинами та викликати коротке замикання чи удар електричним струмом.
- Не використовуйте такі частини холодильника, як дверцята, як підставку чи опору.
- Не використовуйте електричні прилади всередині холодильника.
- Не допускайте пошкодження частин, у яких циркулює хладагент, ріжучими чи свердловальними інструментами. Хладагент може з'явитися із випаровувача, на трубопроводі чи на покриттях і викликати подразнення шкіри чи ураження очей.
- Не закривайте вентиляційні отвори вашого холодильника
- Ремонт електроприладів мають виконувати тільки кваліфіковані фахівці. Ремонт, виконаний недосвідченими особами, може спричинити ризик для користувача.
- У випадку несправностей під час експлуатації чи ремонту вимкніть холодильник, вимкнувши запобіжник чи вийнявши з розетки шнур живлення.
- При від'єднанні від мережі не тягніть за кабель – тільки за штепсель.
- Пляшки з алкогольними напоями мають зберігатися у надійному місці, із закритою кришкою та у вертикальному положенні.

- Суворо заборонено зберігати в холодильнику пляшки з горючими чи вибухонебезпечними речовинами.
- Не застосовуйте механічні пристрої або інші засоби для прискорення розмороження, крім рекомендованих виробником.
- Цей електроприлад не призначений для використання особами (включаючи дітей) зі знизеними фізичними, чутливими або розумовими можливостями або з браком досвіду і знань, якщо вони не перебувають під наглядом або не пройшли інструктаж щодо користування пристроєм від відповідальної за їхню безпеку особи.
- Не використовуйте несправний холодильник. При виникненні запитань звертайтеся до кваліфікованого фахівця.
- Електрична безпека може гарантуватися лише в тому випадку, якщо система заземлення у вашому будинку відповідає стандартам.
- Вплив на пристрій дощу, снігу, сонця чи вітру небезпечний з точки зору електробезпеки.
- Зверніться до сервісної служби, якщо пошкоджено шнур живлення, щоб це не створило небезпеку для вас.
- Не вмикайте холодильник в розетку під час його встановлення. Ризик смертельного випадку чи серйозних ушкоджень дуже високий.
- Цей холодильник призначений лише для зберігання харчових продуктів. Його не слід використовувати з будь-якою іншою метою.
- таблиця з описом технічних специфікацій виробу розташована зліва на внутрішній стінці холодильника.
- Не підключайте холодильник до електронних систем енергозбереження, оскільки це може призвести до несправності виробу.
- Якщо в холодильнику є підсвічування синім світлом, не слід довго дивитися на нього голим оком або через оптичні пристрої.
- У разі відключення холодильників із ручним управлінням від мережі електроживлення зачекайте щонайменше 5 хвилин, перш ніж підключати живлення.
- У випадку продажу виробу цю інструкцію з експлуатації слід передати новому господарю.
- Під'єднуючи холодильник до електромережі, не торкайтеся до штепсельної вилки мокрими руками" to "Під'єднавши холодильник до електромережі, не

торкайтеся до штепсельної вилки вологими руками



- Не підключайте холодильник до погано закріпленої стінної розетки мережі електропостачання.
- Із міркувань безпеки не допускайте потрапляння води безпосередньо на зовнішні або внутрішні частини холодильника.
- Не розбризкуйте поряд із холодильником займісті матеріали, такі як газ пропан, через ризик пожежі та вибуху.
- Не ставте посудини з водою на холодильник, оскільки це може призвести до ураження електричним струмом або пожежі.
- Не перевантажуйте холодильник надмірною кількістю продуктів. Якщо холодильник перевантажено, продукти можуть випасти при відчиненні дверцят і травмувати вас чи пошкодити холодильник. Не кладіть предмети на холодильник, оскільки вони можуть впасти під час відчинення чи зачинення дверцят.
- У холодильнику не можна зберігати речовини, що вимагають певних температурних умов (вакцини, термочутливі медикаменти, наукові матеріали тощо).
- Холодильник слід від'єднати від електромережі, якщо він не буде використовуватися протягом тривалого часу. Можливі несправності шнура живлення можуть призвести до пожежі.
- Холодильник може переміщатися, якщо регульовані ніжки не зафіксовано на підлозі. Фіксація регульованих ніжок на підлозі може запобігти його переміщенню.
- При переміщенні холодильника не тримайте його за ручку, бо вона може зламатися.
- При встановленні холодильника відстань між ним й іншим холодильником чи морозильником має становити щонайменше 8 см. В іншому разі бічні стінки, що прилягають, зволожуватимуться.
- Ніколи не використовуйте цей виріб, якщо верхня або задня кришка відкрита та відкривають доступ до електронних плат (кришки електронних плат) (1).



Для пристроїв із розподільником води:

- Тиск в місці підведення холодної води не повинен перевищувати 90 фунтів на квадратний дюйм (620 kPa). Якщо тиск води перевищує 80 фунтів на квадратний дюйм (550 kPa), встановіть у своїй магістральній мережі клапан обмеження тиску. Якщо ви не знаєте, як перевірити тиск води, зверніться за допомогою професійного сантехніка.
- Якщо у вашій установці існує ризик виникнення гідравлічного удару, обов'язково встановіть захисне обладнання для запобігання ризику виникнення гідравлічного удару. У разі виникнення сумнівів стосовно можливості виникнення гідравлічного удару у вашій установці, зверніться за допомогою до професійних сантехніків.

- Забороняється виконувати встановлення у місці підведення гарячої води. Необхідно вжити запобіжних заходів для запобігання ризику замерзання шлангів. Температура робочої води повинна знаходитися в інтервалі від 33 °F (0,6 °C) до 100 °F (38 °C).
- Використовуйте лише питну воду.

Безпека дітей

- Якщо на дверцятах є замок, тримайте ключ у місці, недосяжному для дітей.
- Слід наглядати за дітьми та не дозволяти їм псувати пристрій.

Відповідність Директиві щодо відпрацьованого електричного й електронного обладнання (Директива WEEE) й утилізація відходів



Цей прилад відповідає вимогам Директиви WEEE (2012/19/EU). Цей виріб позначений символом приналежності до категорії відходів електричного й електронного обладнання (WEEE). Цей прилад виготовлений з високоякісних деталей та матеріалів, які підлягають повторному використанню й переробці. Після закінчення терміну експлуатації цей прилад не можна викидати разом зі звичайними

побутовими відходами. Його слід здати у відповідний пункт збору відходів електричного й електронного обладнання як вторинної сировини. Інформацію про місцезнаходження найближчого пункту збору відходів можна отримати в місцевих органах влади.

Відповідність Директиві щодо обмеження використанням шкідливих речовин (RoHS)

Цей прилад відповідає вимогам Директиви RoHS (2011/65/EU). Він не містить шкідливих та інших речовин, використання яких заборонено цією Директивою.

Інформація про упаковку

Упаковка цього виробу виготовлена з матеріалів, які підлягають повторній переробці згідно з національними нормами й правилами щодо охорони довкілля. Ці пакувальні матеріали не можна викидати разом з побутовими чи іншими відходами. Їх слід здати в один з пунктів збору пакувальних матеріалів, визначених місцевими органами влади

Попередження НС

Якщо система охолодження вашого пристрою містить R600a:

Цей газ горючий. Тому будьте уважні, не допускайте пошкодження системи охолодження та труб

під час використання і транспортування. У випадку пошкодження пристрою зберігайте його подалі від потенційного джерела займання та провітрюйте приміщення, в якому знаходиться прилад.

Не звертайте уваги на попередження, якщо система охолодження вашого пристрою містить R134a.

Тип газу, що використовується у приладі, наведений у паспортній таблиці, розташованій зліва на внутрішній стінці холодильника

Як заощадити електроенергію

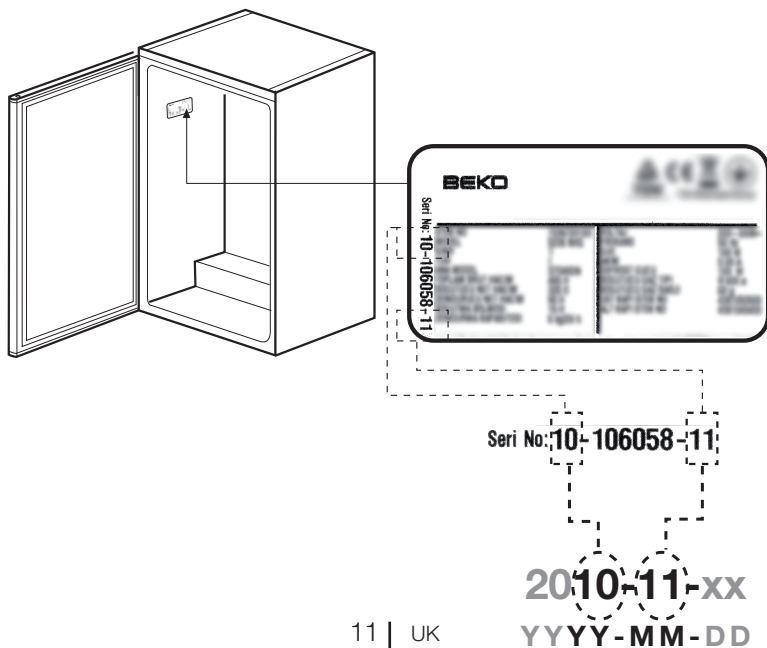
- Не тримайте двері холодильника відчиненими тривалий час.
- Не закладайте до холодильника гарячі продукти чи напої.
- Не зберігайте у холодильнику гарячі напої чи продукти.
- Не встановлюйте холодильник під прямим сонячним промінням чи поблизу джерела тепла, наприклад, плити, посудомийної машини чи радіатора опалення.
- Слідкуйте за тим, щоб продукти зберігалися у закритих контейнерах.
- Для холодильників із

морозильним відділенням: у морозильному відділенні холодильника можна зберігати максимальну кількість продуктів, якщо дістати з нього полиці чи скрині. Наведене в технічних характеристиках енергоспоживання холодильника визначено за умови, що полиці чи скрині морозильного відділення вийняті, й у нього завантажена максимальна можлива кількість продуктів. Полицю чи скриню можна використовувати відповідно до форми й розміру продуктів для заморожування.

- Розморожування заморожених продуктів у холодильному відділенні забезпечить економію

електроенергії та збереження якості продуктів.

- Дата виробництва міститься в серійному номері продукту, що вказаний на етикетці, розташованій на продукті, а саме, перші дві цифри серійного номера позначають рік виробництва, а останні дві - місяць. Наприклад, «10-100001-05» означає, що продукт виготовлений в травні 2010 року.



3 Установка

⚠ Будь ласка, пам'ятайте, що виробник не нестиме відповідальність, якщо не дотримано порад, наведених в інструкції з користування.

Що слід враховувати при транспортуванні приладу

1. Перед будь-яким транспортуванням холодильник має бути спорожнений і вимитий.
2. Перед упакуванням холодильника всі полиці, приналежності, контейнери для фруктів та овочів тощо у вашому холодильнику слід міцно закріпити скотчем для запобігання струсам.
3. Упаковувати холодильник слід за допомогою товстих стрічок і міцних мотузок, а також дотримуватися правил транспортування, надрукованих на упаковці.

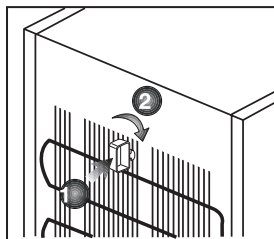
Упевніться в тому, що всередині холодильник старанно вимитий. Повторне використання матеріалів надзвичайно важливе для природи та наших національних ресурсів.

Якщо ви бажаєте посприяти повторному використанню матеріалів упаковки, ви можете отримати більше інформації від органів охорони довкілля або від органів місцевої влади.

Перед увімкненням холодильника

Перш ніж розпочати експлуатацію холодильника, перевірте дотримання таких умов:

1. Усередині холодильника сухо, ніщо не заважає вільній циркуляції повітря позаду приладу.
2. Вставте 2 пластмасові розпірки для вентиляції на задню стінку, як показано на наступному малюнку. Пластмасові розпірки забезпечать потрібну відстань між холодильником і стіною для циркуляції повітря.
3. Вимийте внутрішню частину холодильника, як рекомендовано у розділі “Обслуговування й



чищення”.

4. Під'єднайте холодильник до розетки електромережі. При відчиненні дверцят холодильника вмикається внутрішнє освітлення холодильного відділення.
5. Коли компресор почне працювати, ви почуєте шум. Рідина та газу всередині холодильної системи також можуть створювати шум, навіть якщо компресор не працює, що є цілком нормальним явищем.
6. Передні кромки холодильника можуть бути теплими на дотик. Це нормально. Ці області мають нагріватися, щоб уникнути конденсації.

Підключення до електромережі

Підключіть холодильник до заземленої розетки, захищеної плавким запобіжником відповідної потужності.

Важливо!

- Підключення має відповідати національним нормам і правилам.
- Після встановлення холодильника має бути забезпечений легкий доступ до штепселя шнура живлення.
- Указана напруга має відповідати напрузі вашої електромережі.
- Для підключення не слід використовувати подовжувачі та штепсельні колодки на декілька гнізд.

⚠ У разі пошкодження шнура живлення його заміну має здійснювати кваліфікований електрик.

⚠ Забороняється користуватися холодильником, доки його не буде відремонтовано! Існує небезпека ураження електричним струмом!

Утилізація упаковки

Пакувальні матеріали можуть становити небезпеку для дітей. Зберігайте пакувальні матеріали у недоступному для дітей місці, або утилізуйте їх, розсортувавши відповідно до інструкцій з утилізації відходів. Не утилізуйте їх разом із звичайними побутовими відходами. Упаковка вашого холодильника вироблена з матеріалів, що можуть бути використані повторно.

Утилізація вашого старого холодильника

Утилізуйте старий холодильник, не завдаючи шкоди довкіллю.

- З питань щодо утилізації холодильника ви можете звернутися до пункту збору відходів вашого населеного пункту.

Перед утилізацією холодильника відріжте штепсель електрошнура, а також виведіть з ладу замки (якщо такі існують) дверцят, щоб захистити дітей від небезпеки зачинення всередині.

Розміщення та Установка

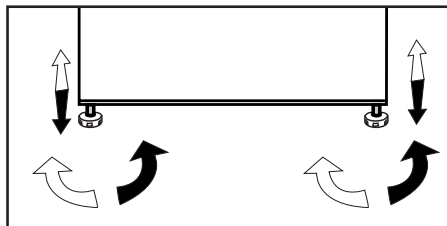
⚠ Якщо двері приміщення, в якому буде встановлено холодильник, недостатньо широкі, зверніться до сервісної служби; її співробітники допоможуть зняти двері з холодильника та пронести його боком.

1. Встановлюйте холодильник у місці, зручному для його використання.
2. Холодильник має знаходитися в місці, віддаленому від джерела тепла, підвищеної вологості та прямих сонячних променів.
3. Для ефективнішої роботи необхідно забезпечити гарну вентиляцію навколо холодильника. Якщо холодильник встановлюється в ніші стіни, мінімальна відстань має бути 5 см до стелі та 5 см до стіни. Якщо на підлозі лежить килим, треба підняти холодильник на 2,5 см над рівнем підлоги.
4. Холодильник має стояти на рівній поверхні, щоб не виникало трясіння.

Регулювання ніжок

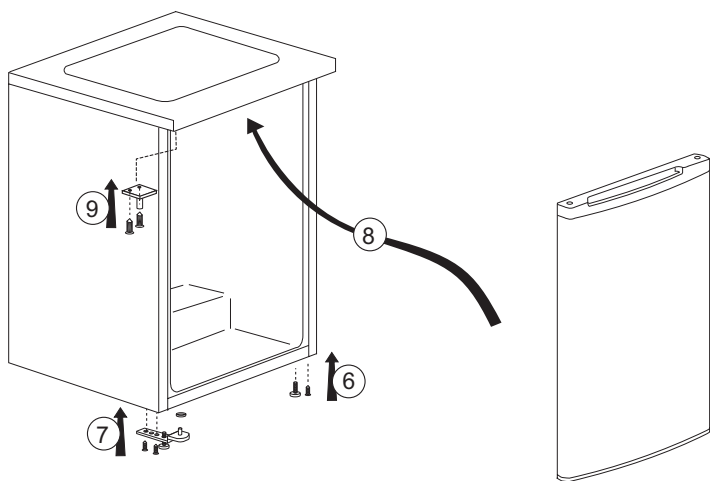
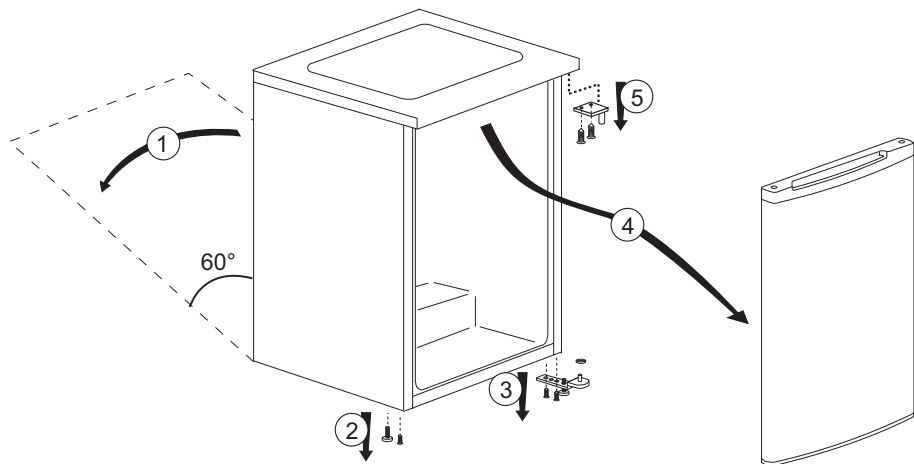
Якщо холодильник не збалансовано;

Ви можете збалансувати холодильник, обертаючи його передні ніжки, як показано на малюнку. Кут холодильника, в якому знаходиться ніжка, опускатиметься, якщо повертати в напрямку чорної стрілки, і підійматиметься, якщо повертати у зворотному напрямку. Якщо хтось допоможе підняти холодильник, це полегшить процес.



Перенавішування дверцят

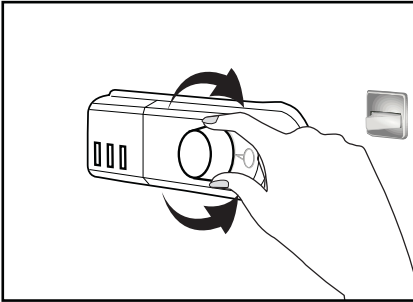
Виконуйте у числовому порядку.



4 Підготовка

- Холодильник слід встановити на відстані щонайменше 30 см від джерел тепла, таких як жарівниці, плити, батареї центрального опалення й печі, а також не ближче 5 см від електричних духових шаф, у місцях, куди не духових шаф пічокпряме сонячне світло.
- Температура повітря в приміщенні, де встановлюється холодильник, має бути не менше 10°C. Використовувати холодильник в умовах нижчої температури не рекомендується з міркувань його низької ефективності.
- Упевніться в тому, що всередині холодильник старанно вимитий.
- Якщо два холодильники встановлюються поряд, між ними має бути відстань не менше 2 см.
- При першому увімкненні холодильника, протягом перших шести годин роботи дотримуйтеся наступних інструкцій.
- Не відчиняйте часто дверцята.
- Холодильник мусить працювати порожнім, без продуктів усередині.
- Не відключайте холодильник від електромережі. Якщо сталося порушення електропостачання, див. застереження у розділі "Рекомендації з вирішення проблем".
- Для забезпечення низького споживання енергії та поліпшення умов зберігання необхідно використовувати контейнери/ящики, що постачаються разом з морозильною камерою.
- Контакт їжі з датчиком температури в морозильній камері може спричинити збільшення споживання енергії пристроєм. Таким чином, слід уникати будь-якого контакту з датчиком(ами).
- Оригінальну упаковку та плівку слід зберегти для транспортування або переміщення холодильника в майбутньому.
- В деяких моделях приладова панель автоматично вимикається через 5 хвилин після закривання дверей. Вона повторно активізується після відчинення дверей або натискання будь-якої клавіші.
- Конденсація вологи на полицях дверцят/корпусу та скляних контейнерах є нормальним явищем і виникає завдяки зміні температури внаслідок відкриття/закриття дверцят під час функціонування виробу.

5 Користування холодильником



Робоча температура регулюється регулятором температури.

1 = Режим найменшого охолодження (найтепліший)

5 = Режим найбільшого охолодження (найхолодніший)

(Або)



Min. = Режим найменшого охолодження (найтепліший)

Max. = Режим найбільшого охолодження (найхолодніший)

Середня температура всередині холодильника повинна дорівнювати приблизно $+5^{\circ}\text{C}$.

Виберіть налаштування відповідно до потрібної температури.

Роботу приладу можна припинити, повернувши ручку термостата на позначку "0".

Зауважте, що температура буде різнитися залежно від місця в охолоджуваному об'ємі.

Найнижча температура – безпосередньо над відділенням для овочів.

Температура всередині залежить також від зовнішньої температури, від того, як часто відкриваються дверцята, а також від кількості продуктів у холодильнику.

Часте відкривання дверцят сприяє підвищенню температури всередині.

Тому рекомендується після відкривання дверцят закрити їх якомога швидше.

Найнижча температура – безпосередньо під відділенням для приготування льоду.

За великої вологості повітря на холодильнику може утворитися конденсат. Це не є несправністю. Його можна витерти сухою ганчіркою згідно з правилами техніки безпеки. Утворення льоду, обмерзання й конденсація – це нормальні явища для відділення для приготування льоду і контейнера для зливу води.

Розморожування приладу

Утворення товстого шару льоду впливає на ефективність холодильника.

Тому рекомендується розморожувати його щонайменше двічі на рік або за умови, що товщина утвореного льоду перевищує 7 мм.

При розмороженні холодильник мусить бути порожнім або майже порожнім.

Вийміть продукти. Загорніть їх у декілька шарів паперу або у ковдру та покладіть в холодне місце.

Перед розмороженням від'єднайте шнур живлення від гнізда електромережі або вимкніть рубильник.

Вийміть з приладу приналежності (полиці, висувні ящики і т.п.), далі зберіть талу воду у будь-яку ємність.

Якщо необхідно, губкою або м'якою тканиною зберіть залишки талої води у відділеннях.

Під час розморожування залишайте дверцята відкритими.

Щоб прискорити розмороження, помістіть всередину приладу ємності з теплою водою.

Не застосовуйте для видалення льоду електроприладів, розморожувальних аерозолів та гострих предметів на зразок ножів або виделок.

Після завершення розмороження помийте внутрішні поверхні холодильника.

Підключіть прилад до електромережі. Помістіть заморожені продукти у висувні ящики та засуньте ящики у морозильник.

Задля вашої безпеки перед початком розмороження холодильника вимкніть його вимикачем та витягніть вилку шнура живлення з розетки.

Під час розморожування регульовальна заслінка в піддоні має перебувати в положенні зимового режиму. Після закінчення розморожування її можна встановити в положення літнього чи зимового режиму залежно від потреби.

Охолодження Зберігання продуктів

Холодильне відділення призначене для короткострокового зберігання свіжих продуктів та напоїв.

Зберігайте молочні продукти у відповідному відділенні холодильника.

Пляшки можна зберігати у пляшкотримачі або на полиці для пляшок, що розташована на дверцятах.

Сире м'ясо найкраще зберігати у поліетиленовій торбині, у відділенні, розташованому найнижче.

Перш ніж класти гарячі продукти або напої у холодильник, дайте їм охолонути до кімнатної температури.

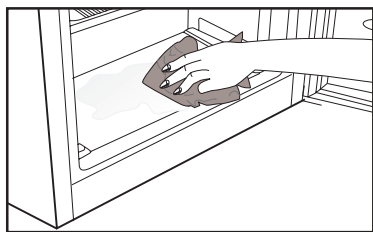
• Увага!

Міцні алкогольні напої потрібно зберігати у контейнері у щільно закритих пляшках, поставлених вертикально.

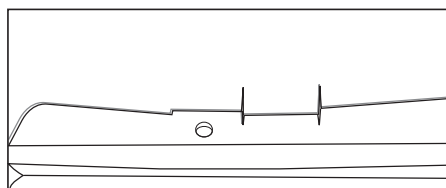
• Увага!

Не зберігайте у холодильнику вибухові речовини й ємності, що містять легкозаймисті гази під тиском (вершки в аерозольній упаковці, аерозольні балончики тощо).

Це створює небезпеку вибухів.



Зображений глухий відвід є частиною конструкції і не впливає на систему охолодження.



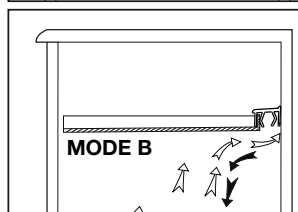
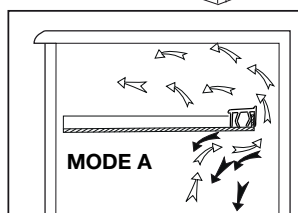
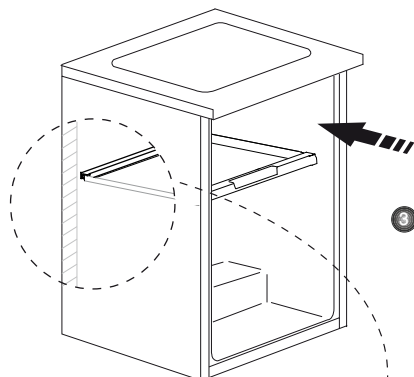
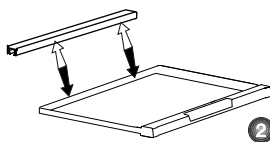
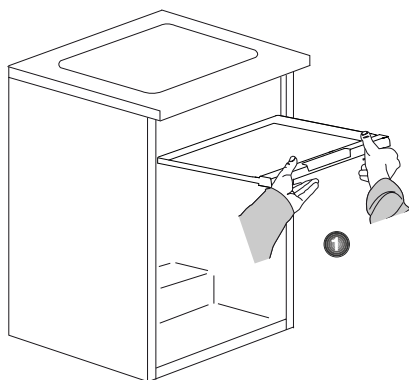
Регульовальна заслінка у піддоні призначена для підтримання в камері потрібної температури залежно від температури навколишнього середовища. Як показано нижче, її можна встановити в положення зимового режиму, якщо навколишня температура низька, або в положення літнього режиму, якщо навколишня температура висока.

ЛІТНІЙ РЕЖИМ

(Коли в камері потрібна нижча температура).

ЗИМОВИЙ РЕЖИМ

(Коли в камері потрібна вища температура).



6 Догляд та очищення

- ⚠ Не використовуйте бензин чи подібні матеріали для чищення.
- ⚠ Перед виконанням чищення рекомендуємо від'єднати холодильник від електромережі.
- ❗ Заборонено використовувати для чистки гострі абразивні засоби, мило, засоби для видалення плям, миючі засоби та поліролі на основі воску.
- ❗ Промийте шафу холодильника ледь теплою водою та витріть насухо.
- ❗ У приладах без функції розморожування No Frost на задній стінці холодильного відділення можуть утворюватися краплі води та шар інею завтовшки не більше товщини пальця. Не зчищайте його; не застосовуйте для чищення масляні або аналогічні засоби.
- ❗ Для чищення зовнішньої поверхні приладу використовуйте тільки злегка зволожену ганчірку з мікрофібри. Губки та інші види ганчірок можуть подряпати поверхню.
- ❗ Для мийки відділень усередині холодильника користуйтеся ганчіркою, змоченою у розчині, який складається з чайної ложки питної соди на півлітра води, потім витріть їх насухо.
- ⚠ Слідкуйте, щоб вода не потрапила до корпусу лампочки та в інші електричні прилади.
- ⚠ Якщо прилад не буде використовуватися протягом тривалого часу, вимкніть його з

електромережі, звільніть від усіх продуктів, протріть і залишіть дверцята відчиненими.

- ❗ Регулярно перевіряйте, чи не забруднений шматочками їжі ущільнювач на дверях.
- ❗ Для знімання лотка у дверях розвантажте його, а потім просто підштовхніть угору.
- ❗ У жодному разі не використовуйте засоби для чищення чи воду, що містять хлор, для чищення зовнішніх поверхонь або хромованих деталей виробу. Хлор викликає корозію таких металевих поверхонь.
- ❗ Не використовуйте гострі та абразивні засоби або мило, засоби для догляду за оселею, синтетичні миючі засоби, бензин, бензол, віск і т.д., в іншому випадку на пластикових частинах з'являться сліди і відбудеться їх деформація. Використовуйте для чищення теплу воду і м'яку тканину, а потім витріть насухо.

Захист пластикових поверхонь

- ❗ Не зберігайте рідкі олії чи продукти з додаванням олії в холодильник у відкритому вигляді чи негерметичній упаковці, вони можуть зіпсувати пластикові поверхні холодильника. У разі потрапляння олії на пластикову поверхню очистіть цю частину поверхні теплою водою.

7 Рекомендації з усунення несправностей

Перед тим як звертатися до авторизованої сервісної служби, ознайомтеся з наведеною інформацією. Це допоможе вам заощадити гроші й час. Наведений нижче перелік містить найчастіші несправності, не викликані зіпсованим обладнанням чи матеріалом. Деякі з функцій, що наведені тут, можуть бути відсутні у вашому виробі.

Холодильник не працює.

- Чи під'єднаний холодильник до мережі правильним чином? Вставте штепсель до настінної розетки.
- Чи справна запобіжна пробка, до якої підключено холодильник, чи не перегорів запобіжник? Перевірте запобіжник.

Конденсація на бічній стінці холодильного відділення (MULTI ZONE, COOL CONTROL і FLEXI ZONE).

- Дуже низька температура навколишнього середовища. Дверцята холодильника часто відчиняють і зачиняють. Висока вологість навколишнього середовища. Зберігання продуктів, які містять рідину, у відкритих контейнерах. Нецільно зачинені дверцята. Перемикають термостат на нижчу температуру
- Не тримайте дверцята відчиненими або відчиняйте їх рідше.
- Накривайте продукти, які зберігаються у відкритих контейнерах, відповідним матеріалом.
- Витріть конденсат сухою тканиною та перевірте, чи з'являється він знову.

Компресор не працює.

- Термозахист компресора може бути пошкоджений в результаті несподіваного збою енергопостачання чи увімкнення-вимкнення, оскільки тиск хладагенту в системі охолодження не встиг збалансуватися. Холодильник почне працювати орієнтовно через 6 хвилин. Якщо після закінчення цього періоду холодильник не запрацює, зверніться до сервісної служби.
- Холодильник перебуває у стані розморожування. Для холодильника, що розморожується автоматично, це цілком нормально. Розморожування відбувається періодично.
- Холодильник не під'єднано до мережі. Переконайтеся, що вилка належним чином вставлена в розетку.
- Чи правильно відрегульовано температуру?
- Можливо, відключена подача електроенергії.

Холодильник вмикається занадто часто або працює занадто довго.

- Ваш новий холодильник може бути ширшим за попередній. Це цілком нормально. Великі холодильники працюють протягом тривалішого часу.
- Температура навколишнього середовища може бути зависокою. Це цілком нормально.
- Холодильник міг бути нещодавно увімкнений чи завантажений продуктами. Повне охолодження холодильника може тривати на кілька годин довше.
- Можливо, у холодильник нещодавно завантажили велику кількість гарячих продуктів. Гарячі продукти спричиняють довшу роботу холодильника з метою досягнення потрібної температури зберігання.
- Можливо, двері часто відчиняють, або вони тривалий час були нещільно зачинені. Тепле повітря, що потрапляє до холодильника, спричиняє його довшу роботу. Відчиняйте дверцята рідше.
- Нещільно зачинені двері холодильного чи морозильного відділень. Перевірте, чи щільно зачинені дверцята.
- Холодильник відрегульовано на дуже низьку температуру. Відрегулюйте температуру холодильного відділення до вищого значення, поки не буде досягнута потрібна температура.
- Ущільнювач дверцята холодильного чи морозильного відділень, можливо, забруднений, зношений, зіпсутий або неправильно встановлений. Ущільнювач дверей треба почистити чи замінити. Пошкоджений ущільнювач примушує холодильник працювати довше для того, щоб підтримувати температуру.

Температура морозильного відділення занизька, тоді як температура холодильника достатня.

- Морозильне відділення відрегульовано на дуже низьку температуру. Відрегулюйте температуру морозильного відділення до вищого значення та перевірте.

Температура холодильника занизька, тоді як температура морозильного відділення достатня.

- Холодильник налаштовано на дуже низьку температуру. Відрегулюйте температуру холодильника до вищого значення та перевірте.

Продукти, що зберігаються у холодильному відділенні, заморожуються.

- Холодильник налаштовано на дуже низьку температуру. Відрегулюйте температуру холодильника до вищого значення та перевірте.

Температура у холодильному чи морозильному відділеннях зависока.

- Холодильник налаштовано на дуже високу температуру. Температура холодильного відділення впливає на температуру морозильного. Змініть температуру холодильника чи морозильника, поки не буде досягнуто потрібне значення.
- Можливо, дверцята часто відчиняють, або вони тривалий час були нещільно зачинені; відчиняйте дверцята рідше.
- Можливо, дверцята холодильника прочинені; зачиніть їх повністю.
- Можливо, у холодильник нещодавно завантажили велику кількість гарячих продуктів. Заждіть, поки холодильник чи морозильник досягне потрібної температури.
- Можливо, холодильник нещодавно увімкнули. На повне охолодження холодильника буде потрібен час.

Рівень робочого шуму підвищується під час роботи холодильника.

- Робочі характеристики холодильника можуть змінюватися у залежності від температури навколишнього середовища. Це цілком нормально і не свідчить про несправність.

Вібрації або шум

- Нерівна чи нестійка підлога. При повільному переміщенні холодильник дрижить. Переконайтеся, що підлога рівна і може витримати вагу холодильника.
- Шум може бути спричинений предметами, що покладені зверху на холодильник. Сторонні предмети слід прибрати з холодильника.

З холодильника лунає шум, наче ллється чи розбризкується рідина.

- Рідини і гази протікають у системі охолодження холодильника відповідно до принципу його роботи. Це цілком нормально і не свідчить про несправність.

Чується шум, наче дме вітер.

- Для охолодження холодильника використовуються вентилятори. Це цілком нормально і не свідчить про несправність.

Конденсат на внутрішніх стінках холодильника.

- Спекотна й волога погода сприяє утворенню льоду та появі конденсату. Це цілком нормально і не свідчить про несправність.
- Можливо, дверцята холодильника прочинені; зачиніть їх повністю.
- Можливо, дверцята часто відчиняють, або вони тривалий час були нещільно зачинені; відчиняйте дверцята рідше.

Поява вологи зовні холодильника чи між стулками дверей.

- Повітря вологе; при вологій погоді це цілком нормально. Коли волога зменшиться, конденсація зникне.

Поганий запах всередині холодильника.

- Слідкуйте за тим, щоб холодильник усередині був чистим. Протріть внутрішню частину холодильника губкою, змоченою в теплій чи газованій воді.
- Деякі види упаковки чи контейнерів для зберігання також можуть бути джерелом запаху. Використовуйте інший контейнер чи матеріал для упакування.

Дверцята не зачиняються.

- Продукти можуть заважати зачиненню дверцят. Перекладіть продукти, які заважають зачиненню дверцят.
- Можливо, холодильник стоїть не зовсім вертикально. Це може викликати дрижання при найменшому русі. Відрегулюйте гвинт регулювання висоти.
- Нерівна чи неміцна підлога. Переконайтеся, що підлога рівна і може витримати вагу холодильника.

Контейнери злиплися.

- Можливо, продукти торкаються верхньої частини контейнера. Перекладіть продукти в контейнері.

Якщо Поверхня Пристрою Є Гарячою

- Під час роботи пристрою простір між двома дверима, бічні панелі й задня решітка можуть нагріватися до високої температури. Це цілком нормально і не потребує технічного обслуговування.

Офіційний представник на території України: ТОВ «Беко Україна»,
адреса: 03150, м. Київ, вул. Антоновича, буд. 72 тел/факс.: 0-800-500-4-3-2”

Інформацію про сертифікацію продукту Ви можете уточнити
зателефонувавши на гарячу лінію 0-800-500-4-3-2.

Термін служби десять років

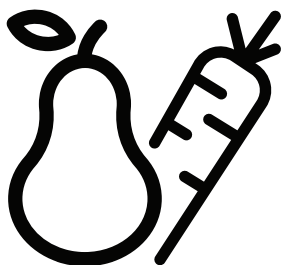
beko

Холодильник
Руководство пользователя

фрижидер
Упутства за кориснике

Chladnička
Používateľská príručka

Hladilnik
Navodila za uporabo



TS 190320 - TS 190340N

RUS / SB / SK / SL



ПЕРЕРАБОТАННАЯ И
ПЕРЕРАБАТЫВАЕМАЯ
БУМАГА



RECIKLIRANI PAPIR I
PAPIR ZA RECIKLAŽU



RECYKLOVANÝ A
RECYKLOVATEĽNÝ PAPIER



RECIKLIRANI PAPIR in
PAPIR ZA RECIKLIRANJE

Обязательно прочтите данное руководство!

Уважаемый покупатель!

Надеемся, что наше изделие, изготовленное на современном оборудовании и прошедшее тщательный контроль качества, будет надежно служить вам.

Поэтому, прежде чем пользоваться прибором, рекомендуем внимательно изучить данное руководство и всегда держать его под рукой в качестве справочника.




Данное руководство

- Поможет вам быстро освоить этот прибор и безопасно им пользоваться.
- Прежде чем устанавливать прибор и пользоваться им, прочтите это руководство.
- Соблюдайте инструкции, в особенности, правила техники безопасности.
- Храните это руководство в легкодоступном месте, так как оно может понадобиться вам в будущем.
- Ознакомьтесь со всеми остальными документами, которые прилагаются к прибору.

Учтите, что данное руководство по эксплуатации может применяться и для других моделей.

Условные обозначения

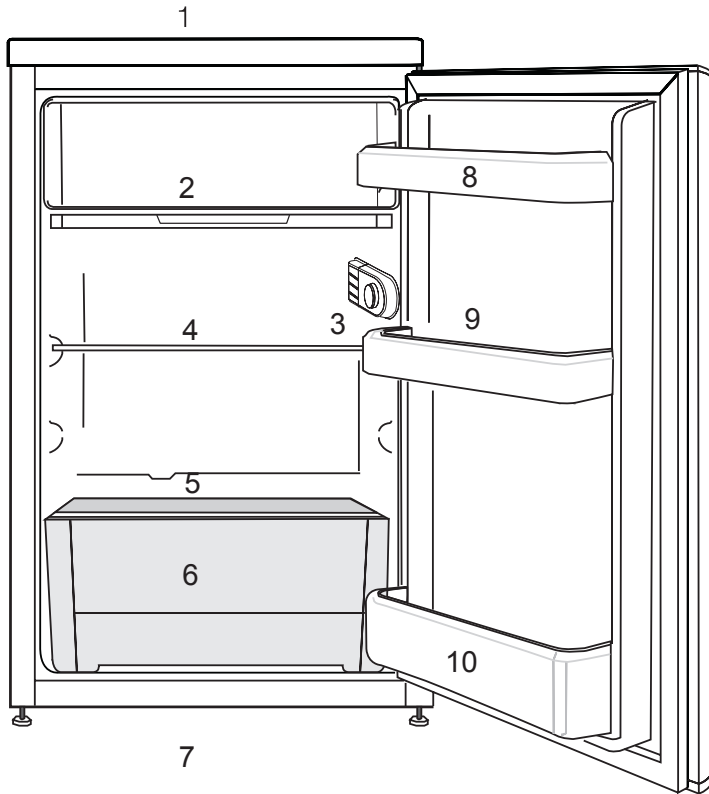
В данном руководстве по эксплуатации используются следующие условные обозначения:

-  Важная информация или полезные советы по эксплуатации.
-  Предупреждение об опасности для жизни и имущества.
-  Предупреждение об опасном электрическом напряжении.

СОДЕРЖАНИЕ

1 Описание холодильника	4	4 Подготовка	16
2 Важные указания по технике безопасности	5	5 Эксплуатация холодильника	17
Использование по назначению.....	5	Размораживание изделия	17
Для изделий с раздатчиком охлажденной воды:.....	9	Охлаждение	18
Безопасность детей	9	Хранение продуктов	18
Соответствие Директиве ЕС об утилизации электрического и электронного оборудования (WEEE) и утилизация вышедшего из употребления оборудования:.....	9	6 Обслуживание и чистка	20
Соответствие Директиве ЕС об ограничении содержания вредных веществ (RoHS):	10	Защита пластмассовых поверхностей	20
Информация об упаковке.....	10	7 Рекомендации по устранению неисправностей	21
Рекомендации по экономии электроэнергии	11		
Технические характеристики морозильника	11		
3 Установка	12		
Правила транспортировки холодильника	12		
Подготовка к эксплуатации	12		
Утилизация упаковки	13		
Утилизация старого холодильника.....	13		
Размещение и установка.....	13		
Регулирование ножек	14		
Замена лампочки	14		
Перевешивание дверей	15		

1 Описание холодильника






- | | |
|--|-----------------------------------|
| 1. Верхняя планка | 6. Контейнер для фруктов и овощей |
| 2. Лоток для конденсата | 7. Регулируемые передние ножки |
| 3. Внутренняя подсветка и ручка термостата | 8. Полки в дверце |
| 4. Съемная полка | 9. Лоток для яиц |
| 5. Крышка контейнера для фруктов и овощей | 10. Полка для бутылок |

☐ Цифры, приведенные в данном руководстве по эксплуатации, являются схематическими и могут не полностью соответствовать вашему изделию. Некоторые компоненты, которые не входят в состав приобретенного вами изделия, используются в других моделях.

2 Важные указания по технике безопасности

Обязательно ознакомьтесь со следующей информацией. Игнорирование данной информации может привести к причинению травм или повреждению имущества. Кроме того, гарантийные обязательства и обязательства по эксплуатационной надёжности утратят силу. Оригинальные запасные части будут предоставлены в течение 10 лет с момента покупки изделия.

Использование по назначению

	ПРЕДУПРЕЖДЕНИЕ: Во время хранения или установки устройства убедитесь в том, что его вентиляционные отверстия открыты.
	ПРЕДУПРЕЖДЕНИЕ: Для ускорения процесса оттаивания льда не пользуйтесь какими-либо механическими устройствами или другими устройствами, за исключением рекомендуемых производителем.
	ПРЕДУПРЕЖДЕНИЕ: Не допускайте повреждения цепи хладагента.



ПРЕДУПРЕЖДЕНИЕ:

Не пользуйтесь в отсеках для хранения продуктов питания устройства электрическими приборами, не рекомендуемыми изготовителем.

Это устройство разработано для использования в быту или подобных условиях

- Для использования на служебных кухнях магазинов, офисов и других рабочих мест;

- Для использования клиентами в фермерских домах и отелях, мотелях и других гостиничных заведениях.

- в пансионатах;

- в других сферах применения, за исключением предприятий общественного питания и розничной торговли.

Общие правила техники безопасности

- В случае необходимости утилизировать или уничтожить изделие для получения необходимой информации рекомендуется обратиться в фирменный сервисный центр, а также в местные органы власти.
- По всем вопросам, касающимся холодильника, обращайтесь в фирменный сервисный центр. Не

- вмешивайтесь в работу изделия и не разрешайте этого другим без уведомления фирменного сервисного центра.
- Для изделий с морозильным отделением: не ешьте мороженое в рожках и кубики льда сразу после их извлечения из морозильного отделения! (Это может вызвать обморожение полости рта.)
 - Для изделий с морозильным отделением: не помещайте напитки в бутылках и банках в морозильное отделение. Они могут лопнуть.
 - Не дотрагивайтесь до замороженных продуктов – они могут примерзнуть к рукам.
 - Отключайте холодильник от сети перед чисткой или размораживанием.
 - Ни в коем случае не используйте для чистки и размораживания холодильника пар или аэрозольные чистящие средства. В этом случае пар может попасть на электрические компоненты, что приведет к короткому замыканию или поражению электрическим током.
 - Ни в коем случае не используйте холодильник или его части (например, дверцу) в качестве подставки или опоры.
 - Не используйте электрические приборы внутри холодильника.
 - Не допускайте повреждения частей, в которых циркулирует хладагент, используя режущие или сверлильные инструменты. Хладагент может вырваться из пробитого испарителя, трубопроводов или покрытий поверхности и вызвать раздражение кожи и поражение глаз.
 - Ни в коем случае не закрывайте и не закупоривайте вентиляционные отверстия холодильника.
 - Ремонт электрического оборудования должны производить только квалифицированные специалисты. Ремонт, выполненный некомпетентными лицами, может создать опасность для потребителя.
 - В случае неполадок во время эксплуатации, а также при проведении техобслуживания или ремонта отключите холодильник, выключив соответствующий предохранитель или вынув шнур питания из розетки.
 - Не тяните за сетевой шнур, вынимая вилку из розетки.
 - Крепкие алкогольные напитки должны плотно закрываться крышкой и храниться в вертикальном положении .
 - Нельзя хранить в холодильнике

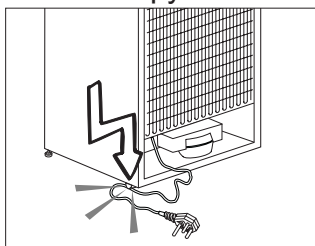
банки с горючими и взрывоопасными веществами.

- Для ускорения процесса размораживания не используйте механические устройства или другие средства, кроме тех, которые рекомендованы производителем.
- Данный электроприбор не предназначен для использования лицами (включая детей) с ограниченными физическими, сенсорными и интеллектуальными возможностями либо не имеющими опыта и знаний. Они могут пользоваться электроприбором только под наблюдением лица, ответственного за их безопасность, или под его руководством.
- Ни в коем случае нельзя пользоваться неисправным холодильником. При возникновении вопросов обращайтесь к квалифицированному специалисту.
- Электрическая безопасность гарантируется только в том случае, если система заземления в вашем доме соответствует стандартам.
- Воздействие на устройство дождя, снега, солнца или ветра опасно с точки зрения электробезопасности.
- В случае повреждения шнура питания и т.п.

обратитесь в фирменный сервисный центр, чтобы не подвергать себя опасности.

- Ни в коем случае нельзя включать холодильник в розетку во время установки. Это может привести к серьезным травмам или смерти.
- Этот холодильник предназначен только для хранения пищевых продуктов. Его нельзя использовать для каких-либо иных целей.
- Табличка с техническими характеристиками находится слева на внутренней стенке холодильника.
- Ни в коем случае нельзя подключать холодильник к электронным системам экономии электроэнергии, поскольку это может привести к его поломке.
- Если в холодильнике есть источник синего света, не смотрите на него долгое время ни незащищенными глазами, ни через какие-либо оптические приборы или инструменты.
- При отключении от сети электропитания холодильника с ручным управлением подождите не менее 5 минут, прежде чем подключать его снова.
- В случае продажи изделия эту инструкцию по эксплуатации следует передать новому владельцу.

- При транспортировке холодильника избегайте повреждения шнура питания. Изгибание шнура питания может привести к возгоранию. Не ставьте на него тяжелые предметы. При подключении холодильника к сети электропитания не прикасайтесь к вилке влажными руками.



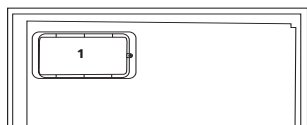
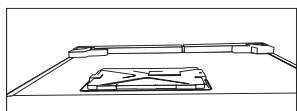
- Ни в коем случае нельзя подключать холодильник к плохо закрепленной стенной розетке сети электропитания.
- Из соображений безопасности не допускайте попадания воды на внешние или внутренние части холодильника.
- Не распыляйте рядом с холодильником воспламеняющиеся газы, такие как газ пропан, ввиду риска пожара или взрыва.
- Не ставьте сосуды с водой на холодильник, поскольку это может привести к поражению электрическим током или пожару.
- Не загружайте холодильник продуктами сверх меры. Если холодильник перегружен, продукты могут

выпасть при открытии дверцы и травмировать вас или повредить холодильник. Не кладите предметы на холодильник, поскольку они могут упасть при открытии или закрытии дверцы.

- В холодильнике нельзя хранить вещества, требующие определенных температурных условий, такие как вакцины, термочувствительные медикаменты, материалы для научных исследований и т.п.
- Холодильник следует отключить от электросети, если он не будет использоваться в течение длительного времени. Неисправность шнура питания может привести к возгоранию.
- Холодильник может смещаться, если регулируемые ножки не зафиксированы на полу. Фиксирование регулируемых ножек на полу предотвратит смещение холодильника.
- При перемещении холодильника не держите его за ручку. В противном случае он может поломаться.
- При установке холодильника расстояние между ним и другим холодильником или морозильником должно составлять минимум 8 см. В противном случае боковые

прилегающие стенки будут увлажняться.

- Никогда не используйте данное изделие, если его часть, расположенная сверху или сзади и имеющая электронные печатные платы внутри, открыта (крышка электронной печатной платы) (1).



Для изделий с раздатчиком охлажденной воды:

- Давление холодной воды на входе должно составлять максимум 90 фунтов на квадратный дюйм (620 kPa). Если давление воды будет превышать 80 фунтов на квадратный дюйм (550 kPa), следует использовать для водопроводной системы клапан ограничения давления. Если Вы не знаете, как проверить давление воды, обратитесь за помощью к профессиональному сантехнику.
- Если во время установки существует риск гидравлического удара, всегда используйте оборудование для

предотвращения гидроудара. Если Вы не уверены в отсутствии риска гидроудара, обратитесь к профессиональным сантехникам.

- Не устанавливайте на входе горячей воды. Следует предпринять необходимые меры предосторожности для предотвращения риска замерзания шлангов. Рабочий интервал температур воды будет составлять не менее 33°F (0,6°C) и не более 100°F (38°C).
- Используйте только питьевую воду.

Безопасность детей

- Если на дверце есть замок, ключ следует хранить в недоступном для детей месте.
- Следует присматривать за детьми и не разрешать им портить холодильник.

Соответствие Директиве ЕС об утилизации электрического и электронного оборудования (WEEE) и утилизация вышедшего из употребления оборудования:



Данное изделие соответствует Директиве ЕС об утилизации электрического и электронного оборудования (2012/19/EU). Данное изделие имеет маркировку,

указывающую на утилизацию его как электрического и электронного оборудования (WEEE). Это изделие произведено из высококачественных деталей и материалов, которые подлежат повторному использованию и переработке. Поэтому не

выбрасывайте изделие с обычными бытовыми отходами после завершения его эксплуатации. Его следует сдать в соответствующий центр по утилизации электрического и электронного оборудования. О местонахождении таких центров вы можете узнать в местных органах власти.

Соответствие Директиве ЕС об ограничении содержания вредных веществ (RoHS):

Приобретенное вами изделие соответствует Директиве ЕС о правилах ограничения содержания вредных веществ (2011/65/EU). Оно не содержит вредных и запрещенных материалов, указанных в Директиве.

Информация об упаковке

Упаковочные материалы изделия изготовлены из материалов, подлежащих вторичной переработке, в соответствии с местными нормативами и правилами касательно защиты окружающей среды. Не утилизируйте упаковочные материалы вместе с бытовыми или другими отходами. Отнесите их в один из пунктов приема упаковочных материалов, назначенных местными органами власти.

Если система охлаждения вашего изделия содержит R600a:

Этот газ огнеопасен, поэтому будьте осторожны, чтобы не повредить систему охлаждения и трубопроводы при эксплуатации и во время транспортировки. В случае повреждения уберите устройство подальше от потенциальных источников огня, которые могут привести к возгоранию, а также проветривайте помещение, в котором находится устройство.

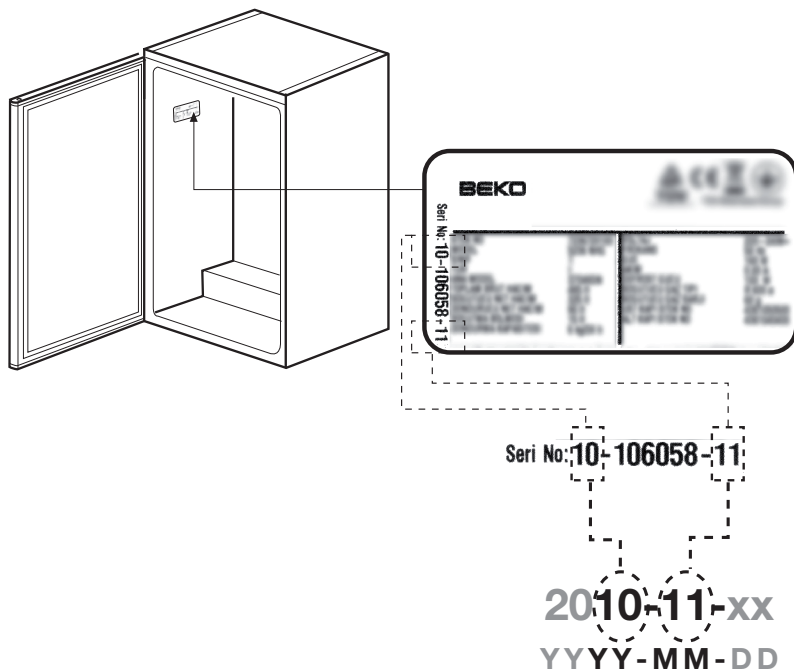
Не обращайте внимания на предупреждение, если система охлаждения вашего изделия содержит R134a.

Тип газа, используемого изделием, указан на паспортной табличке, расположенной слева на внутренней стенке холодильника.

Не сжигайте изделие в целях утилизации.

Рекомендации по экономии электроэнергии

- Не оставляйте дверцу холодильника открытой на длительное время.
- Не кладите в холодильник горячие продукты или напитки.
- Не перегружайте холодильник, чтобы не нарушать циркуляцию воздуха.
- Не устанавливайте холодильник в местах, где на него попадают прямые солнечные лучи, или поблизости от источников тепла, таких как плита, посудомоечная машина или радиатор отопления.
- Следите за тем, чтобы контейнеры с продуктами были закрыты.
- Для изделий с морозильным отделением: в морозильное отделение холодильника можно заложить максимальное количество продуктов, если достать из него полку или ящик. Указанное в технических характеристиках энергопотребление холодильника определено при условии, что полка или ящик морозильного отделения извлечены, и в него загружено максимально возможное количество продуктов. Полку и ящик можно использовать для замораживания продуктов в соответствии с их формой и размером.
- Таяние замороженных продуктов в холодильном отделении обеспечит экономию электроэнергии и сохранение качества продуктов.



Технические характеристики морозильника	
Класс энергопотребления	A+
Класс защиты	1

- Степень защиты IP 42

3 Установка

- И** Учтите, что производитель не несет ответственности в случае несоблюдения указаний, приведенных в данном руководстве.

Правила транспортировки холодильника

1. Перед транспортировкой следует вынуть из холодильника все продукты и вымыть его.
2. Перед упаковкой следует надежно закрепить все полки, оборудование, контейнеры для овощей и фруктов и т.п. при помощи клейкой ленты, чтобы предохранить их от тряски.
3. Холодильник следует обвязать лентами из плотного материала и прочными веревками. При транспортировке следует придерживаться правил, напечатанных на упаковке.

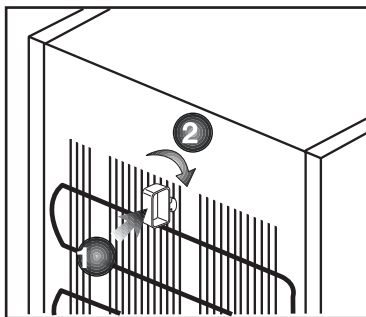
Не забывайте о том, что...

Вторичное использование материалов очень важно для сохранения природы и наших национальных богатств. Если вы решите сдать упаковочные материалы на переработку, обратитесь за подробной информацией в организации по охране окружающей среды или в местные органы власти.

Подготовка к эксплуатации

Перед началом эксплуатации холодильника выполните следующие действия.

1. Убедитесь, что внутри холодильника сухо, и воздух может свободно циркулировать позади холодильника.
2. Можно установить два пластиковых упора, как показано на рисунке. Пластиковые упоры обеспечат необходимое расстояние между холодильником и стеной для надлежащей циркуляции





воздуха. (Изображение на рисунке предназначено только для иллюстрации и не совпадает полностью с вашим изделием.)

3. Выполните чистку холодильника в соответствии с рекомендациями, приведенными в разделе "Обслуживание и чистка".
4. Подключите холодильник к электрической сети. При открытии двери холодильника включается лампочка внутреннего освещения.
5. При запуске компрессора будет слышен шум. Жидкость и газы, находящиеся внутри герметичной системы охлаждения, также могут создавать шум, независимо от того, работает компрессор или нет, что является вполне нормальным явлением.
6. Передние кромки холодильника могут казаться теплыми на ощупь. Это нормально. Эти области подогреваются, чтобы предупредить конденсацию.

Подключение к электросети
Подсоедините холодильник к заземленной розетке с предохранителем соответствующего номинала.

- Важное замечание
- Подключение следует выполнять в соответствии с местными нормами и правилами.
- Место подключения шнура питания к розетке должно быть легкодоступным.
- Напряжение в сети должно соответствовать данным, указанным в характеристиках холодильника.
- Запрещается использовать при установке удлинители и многоместные розетки.

 Замену поврежденного шнура питания должен выполнять квалифицированный электрик.

 Запрещается пользоваться неисправным электроприбором! Это может привести к поражению электрическим током.

Утилизация упаковки

Упаковочные материалы могут быть опасны для детей. Храните упаковочные материалы в недоступном для детей месте или выбросьте их, рассортировав в соответствии с правилами утилизации отходов. Не выбрасывайте их вместе с обычными бытовыми отходами.

Упаковка холодильника изготовлена из материалов, подлежащих вторичной переработке.


Утилизация старого холодильника

Утилизация старого прибора должна выполняться экологически безопасным способом.

- Сведения об утилизации прибора можно получить у официального дилера или в пункте сбора отходов по месту жительства.

Перед утилизацией холодильника следует отрезать шнур питания и сломать замки на дверцах (при наличии), чтобы предотвратить опасные ситуации для детей.

Размещение и установка

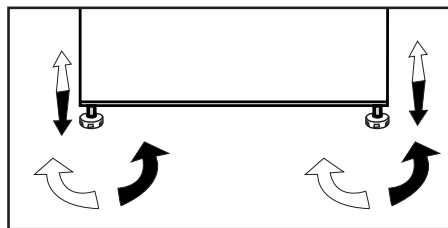
 Если дверь помещения, в котором будет установлен холодильник, недостаточно широка, можно снять дверцы холодильника и внести его в дверь боком. Для того чтобы снять дверцы, обратитесь в фирменный сервисный центр.

1. Устанавливайте холодильник в удобном для использования месте.
2. Холодильник следует устанавливать в местах, защищенных от прямых солнечных лучей, вдали от источников тепла и повышенной влажности.
3. Для более эффективной работы необходимо обеспечить хорошую вентиляцию вокруг холодильника.
4. Если холодильник устанавливается в нише, минимальное расстояние до потолка и стен должно быть не менее 5 см. При установке на ковровое покрытие следует приподнять холодильник на 2.5 см от пола.
5. Холодильник следует устанавливать на ровную поверхность, иначе может возникать вибрация.

Регулирование ножек

Если холодильник стоит неустойчиво:

Чтобы холодильник стоял устойчиво, можно отрегулировать его положение, поворачивая передние ножки, как показано на рисунке. Если повернуть ножку в направлении черной стрелки, то угол холодильника, под которым она находится, опустится, а если повернуть ее в противоположном направлении – поднимется. Чтобы облегчить процедуру регулирования, можно слегка приподнять холодильник (это следует делать вдвоем).



Замена лампочки

Для замены лампочки освещения холодильника обратитесь в авторизованный сервисный центр.

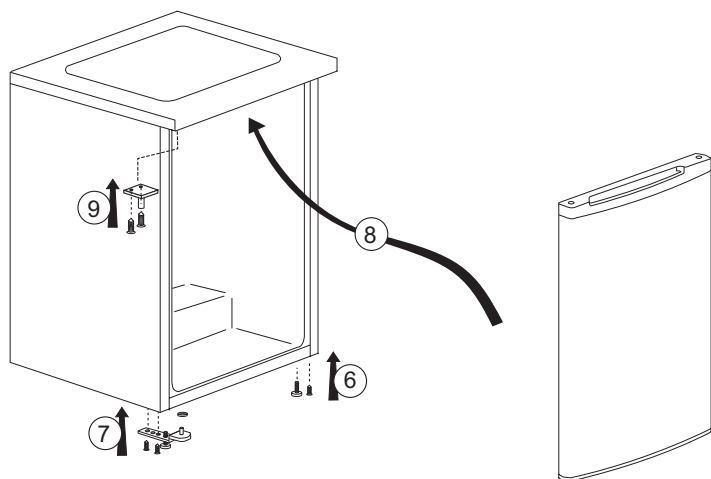
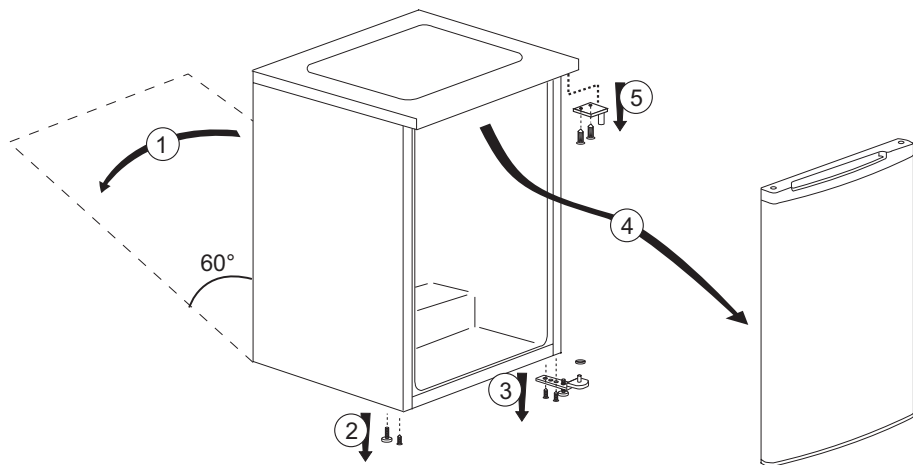
Лампа (-ы), используемая (-ые) в данном изделии, не подходит (-ят) для бытового освещения помещений.

Данная лампа предназначена для освещения при размещении пользователем продуктов питания в холодильной/морозильной камере, обеспечивая безопасность и удобство.

Лампы, используемые в этом приборе, должны выдерживать экстремальные физические условия, например, температуру ниже 20 °С.

Перевешивание дверей

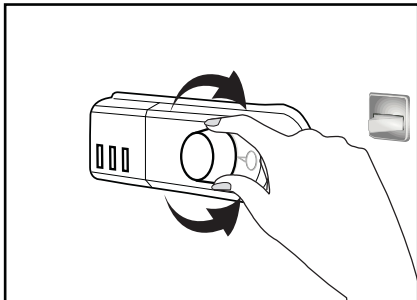
Выполните описанные действия в указанной последовательности.



4 Подготовка

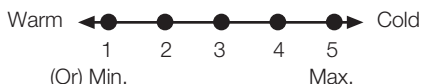
- i** Холодильник следует устанавливать в местах, куда не попадает прямой солнечный свет, на расстоянии не менее 30 см от источников тепла, таких как варочные панели, плиты, батареи центрального отопления и печи, и на расстоянии не менее 5 см от электрических плит.
- i** Температура воздуха в помещении, где устанавливается холодильник, должна быть не менее 5°C. Использовать холодильник при более низкой температуре не рекомендуется в связи с его низкой эффективностью в таких условиях.
- i** Содержите внутреннее пространство холодильника в чистоте.
- i** Если два холодильника устанавливаются рядом, то между ними должно быть расстояние не менее 2 см.
- i** При первом включении холодильника в течение первых шести часов работы обязательно соблюдайте следующие правила.
 - Не открывайте дверцу слишком часто.
 - Не загружайте в холодильник продукты.
 - Не отключайте холодильник от электрической сети. Если произошло отключение электроэнергии не по вашей вине, см. указания в разделе «Рекомендации по устранению неполадок».
- i** Фирменную упаковку и пленку следует сохранить на случай последующей транспортировки прибора.

5 Эксплуатация холодильника



Рабочая температура регулируется соответствующим регулятором.

1 = Наименьшее значение



охлаждения (самая высокая температура)

5 = Самое высокое значение охлаждения (самая низкая температура)

(или)

Min. = Наименьшее охлаждение (самая высокая температура)

Max. = Наибольшее охлаждение (самая низкая температура)

Средняя температура в холодильнике должна быть около +5°C.

Установите значение, соответствующее нужной температуре.

Работу устройства можно остановить, установив ручку термостата в положение "0".

Имейте в виду, что в области охлаждения будут разные температуры.

Самая холодная область располагается непосредственно над контейнером для овощей и фруктов.

Температура внутри изделия также зависит от температуры окружающей среды, частоты открывания дверцы и

количества хранимых продуктов.

Если дверца открывается часто, то температура внутри повышается.

По этой причине рекомендуется как можно скорее закрывать дверцу.

При температуре окружающей среды выше 30 °C извлеките поддон для повышения эффективности охлаждения.

Самая холодная область располагается непосредственно под отделением для приготовления льда.

При высокой влажности воздуха на холодильнике может образоваться конденсат. Это не является признаком неисправности. Его можно вытереть сухой тканью, как указано в инструкции по технике безопасности. Появление

инея, замерзание и образование конденсата являются нормальными явлениями для отделения для приготовления льда и контейнера для слива воды.

Размораживание изделия

Чрезмерное образование льда сказывается на охлаждающей способности изделия.

Поэтому рекомендуется размораживать изделие не менее двух раз в год или каждый раз, когда толщина образовавшегося льда превышает 7 мм.

Размораживайте изделие, когда в нем мало или совсем нет продуктов.

Выньте продукты. Оберните продукты несколькими слоями бумаги или одеялом и положите в прохладное место.

Отключайте изделие от сети перед разморозкой.

Извлеките принадлежности (полки, ящики и т.д.) из изделия и воспользуйтесь подходящим по размеру сосудом для сбора талой воды.

RU

При необходимости собирайте талую воду в отделениях губкой или влажной тканью.

Во время размораживания держите дверцу открытой.

Для ускорения размораживания поставьте внутрь изделия емкости с теплой водой.

Не используйте для удаления льда электроприборы, размораживающие аэрозоли, а также такие острые или заточенные предметы, как ножи или вилки.

По окончании размораживания очистите внутренние поверхности.

Включите изделие в сеть. Поместите замороженные продукты обратно по ящичкам и задвиньте их в морозильник. Для вашей безопасности перед началом процесса размораживания изделия выключите изделие и отсоедините его от сети питания.

В процессе размораживания увлажнитель испарительного поддона необходимо установить на зимний режим. По завершении размораживания его нужно установить на зимний или летний режим, по необходимости.

Охлаждение

Хранение продуктов

Камера холодильника предназначена для непродолжительного хранения свежих продуктов и напитков.

Молочные продукты следует хранить в предназначенном для них отсеке холодильника.

Бутылки можно хранить в держателе или на полке для бутылок в дверце холодильника.

Сырое мясо лучше всего хранить в полиэтиленовом пакете в отсеке в самом низу холодильника.

Прежде чем помещать горячие продукты и напитки в холодильник, дайте им остыть до комнатной температуры.

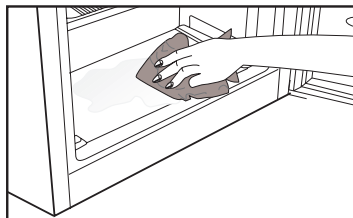
• **Внимание!**

Концентрированные спиртные напитки следует хранить в контейнере только в вертикальном положении и плотно закрытыми.

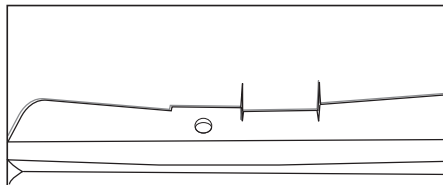
• **Внимание!**

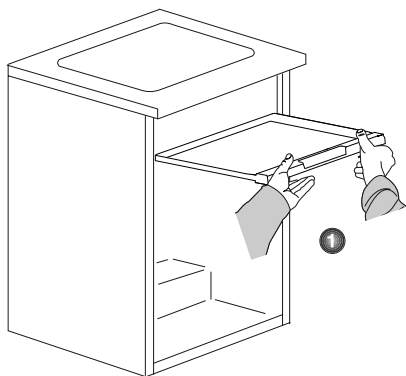
В холодильнике нельзя хранить взрывчатые вещества или баллончики с воспламеняющимися сжатыми газами (консервированные сливки, аэрозольные баллоны и т.д.).

Существует опасность взрыва.



Изображенный глухой отвод является частью конструкции и не оказывает влияния на систему охлаждения.





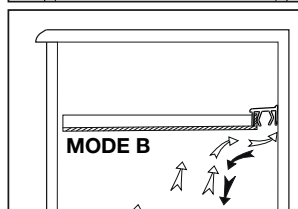
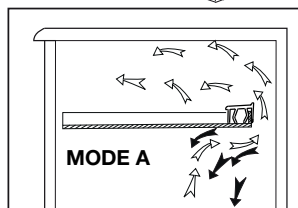
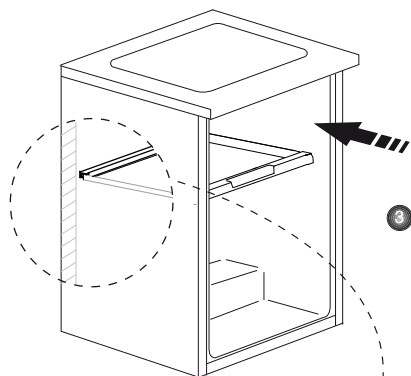
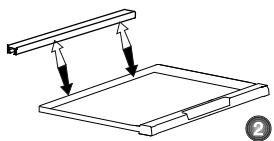
Увлажнитель испарительного поддона следует использовать, как указано ниже, для поддержания нужной температуры отделения в зависимости от температуры окружающего воздуха: зимний режим используется для низкой температуры окружающего воздуха, а летний для высокой.

ЛЕТНИЙ РЕЖИМ

(Когда необходима более прохладная температура.)

ЗИМНИЙ РЕЖИМ

(Когда необходима более теплая температура.)



6 Обслуживание и чистка

- ⚠ Ни в коем случае не используйте бензин, бензол или подобные вещества для чистки.
- ⚠ Перед чисткой рекомендуем отсоединить изделие от электросети.
- ⓘ Не используйте для чистки острые абразивные инструменты, мыло, бытовые чистящие средства, моющие средства и восковую политуру.
- ⓘ Если говорить об изделиях без автоматического размораживания, то на задней стенке холодильной камеры образуются стекающие капли воды и слой наледи размером с ширину пальца. Запрещается чистить, наносить масло или аналогичные вещества.
- ⓘ Используйте только слегка увлажненные ткани из микроволокна для очистки наружной поверхности изделия. Губки и другие типы чистящих салфеток могут поцарапать поверхность.
- ⓘ Корпус изделия промойте теплой водой и затем вытрите насухо.
- ⓘ Протрите внутреннюю поверхность изделия хорошо отжатой тканью, смоченной в растворе питьевой соды (1 чайная ложка на пол-литра воды), и вытрите насухо.
- ⚠ Не допускайте попадания воды в корпус лампочки и в другие электрические компоненты.
- ⚠ Если холодильник не будет использоваться в течение длительного времени, отключите сетевой шнур, извлеките все продукты, выполните чистку и оставьте дверцу приоткрытой.
- ⓘ Регулярно проверяйте, не испачкан ли уплотнитель дверцы частицами пищи.
- ⓘ Для снятия полок в дверце полностью разгрузите их, а затем просто приподнимите вверх.
- ⓘ Для чистки наружных поверхностей и хромированных деталей изделия ни в коем случае не используйте чистящие средства или воду, содержащие хлор. Хлор вызывает коррозию таких металлических поверхностей.
- ⓘ Не используйте острые и абразивные инструменты или мыло, бытовые чистящие средства, синтетические моющие средства, бензин, бензол, воск и т.д., иначе маркировка на пластиковых деталях исчезнет, и будет иметь место деформация. Используйте для очистки и вытирания насухо теплую воду и мягкую ткань.

Защита пластмассовых поверхностей

- Не храните жидкое масло или продукты, приготовленные с добавлением масла, в морозильной камере в открытых контейнерах, так как они могут повредить пластмассовые поверхности. Если же масло протекло или попало на пластмассовую поверхность, сразу же очистите и промойте это место теплой водой.

7 Рекомендации по устранению неисправностей

Прежде чем обращаться в сервисный центр, просмотрите этот перечень. Это может помочь сэкономить время и деньги. Ниже перечислены часто возникающие проблемы, причиной которых не являются дефекты производства или материалов. Некоторые из описанных здесь функций могут отсутствовать в вашей модели.

Холодильник не работает.
<ul style="list-style-type: none">• Правильно ли включен холодильник в сеть? Вставьте вилку в розетку электросети.• Не перегорел ли предохранитель розетки, в которую включен холодильник, или главный предохранитель? Проверьте предохранитель.
Конденсация на боковой стенке отделения холодильника (MULTI ZONE, COOL CONTROL и FLEXI ZONE).
<ul style="list-style-type: none">• Очень низкая температура окружающей среды. Частое открывание и закрывание дверцы. Изделие работает в условиях повышенной влажности. Хранение продуктов, содержащих жидкость, в открытых контейнерах. Неплотно закрыта дверца.• Переключите термостат на более низкую температуру.• Сократите периоды, когда дверца остается открытой, или открывайте ее реже.• Накройте продукты, хранящиеся в открытых контейнерах, подходящим материалом.• Вытрите конденсат сухой тканью и проверьте, не образуется ли он снова.

Не работает компрессор

- Термозащита компрессора может сработать при неожиданных отключениях энергоснабжения либо при выключении-включении прибора, поскольку давление хладагента в системе охлаждения не успевает стабилизироваться.
- Холодильник начнет работать примерно через 6 минут. Если по истечении этого времени холодильник не заработал, обратитесь в сервисный центр.
- Холодильник находится в режиме размораживания. Это нормально для холодильника с автоматическим размораживанием. Размораживание выполняется регулярно.
- Холодильник не включен в розетку электросети. Убедитесь, что вилка плотно вставлена в розетку электросети.
- Правильно ли отрегулирована температура? Нарушение подачи электроэнергии. Обратитесь к поставщику электроэнергии.

Холодильник включается слишком часто или работает слишком долго.

- Новый холодильник может быть больше того, которым вы пользовались раньше. Это вполне нормально – большие холодильники работают в течение более длительных периодов времени.
- Возможно, температура в помещении повышена. Это вполне нормально.
- Возможно, холодильник был недавно включен или только что загружен продуктами. Полное охлаждение холодильника может продолжаться на несколько часов дольше.
- Возможно, в холодильник недавно поместили большое количество горячих продуктов. Из-за наличия горячих продуктов холодильник будет работать дольше, чтобы достичь нужной температуры хранения.
- Возможно, дверцы часто открываются либо оставались приоткрытыми в течение длительного времени. При попадании в холодильник теплого воздуха, он будет работать дольше. Открывайте дверцы реже.
- Неплотно закрыта дверца морозильного или холодильного отделения. Проверьте, плотно ли закрыты дверцы.
- Холодильник отрегулирован на очень низкую температуру. Установите в холодильнике более высокую температуру и подождите, пока установленная температура не будет достигнута.
- Возможно, уплотнитель дверцы холодильного или морозильного отделения загрязнен, изношен, разорван или неправильно установлен. Почистите или замените уплотнитель. Из-за поврежденного или разорванного уплотнителя холодильник будет работать дольше, чтобы поддерживать текущую температуру.

Температура в морозильном отделении слишком низкая, в то время как температура в холодильном отделении достаточная.

- Температура морозильного отделения установлена на очень низкое значение. Установите в морозильном отделении более высокую температуру и проверьте работу.

Температура холодильного отделения очень низкая, в то время как температура в морозильном отделении достаточная.

- Температура в холодильном отделении установлена на очень низкое значение. Установите в холодильном отделении более высокую температуру и проверьте работу.

Замерзают продукты в выдвижных контейнерах холодильного отделения.

- Температура в холодильном отделении установлена на очень низкое значение. Установите в холодильном отделении более высокую температуру и проверьте работу.

Температура в холодильном и морозильном отделении слишком высокая.

- Температура в холодильном отделении установлена на очень высокое значение. Температура в холодильном отделении влияет на температуру в морозильном отделении. Изменяйте температуру в холодильном или морозильном отделении, пока не будет достигнут нужный уровень температуры.
- Возможно, неплотно закрыта дверца. Полностью закройте дверцу.
- Возможно, в холодильник недавно поместили большое количество горячих продуктов. Подождите, пока холодильное или морозильное отделение достигнет нужной температуры.
- Возможно, холодильник был недавно включен в сеть. Для полного охлаждения потребуется некоторое время из-за большого размера холодильника.

Из холодильника доносится шум, похожий на тиканье механических часов.
<ul style="list-style-type: none"> • Этот шум вызван работой электромагнитного клапана холодильника. Он обеспечивает прохождение хладагента, который выполняет охлаждение, через отделения холодильника, в которых установлена температура охлаждения или замораживания. Это вполне нормально и не является неисправностью.
Уровень рабочего шума повышается во время работы холодильника.
<ul style="list-style-type: none"> • Рабочие характеристики изделия могут изменяться в зависимости от изменений температуры окружающей среды. Это нормально и не является неисправностью.
Вибрация или шум.
<ul style="list-style-type: none"> • Пол неровный или нежесткий. Холодильник медленно перемещается и при этом дрожит. Убедитесь в том, что пол ровный и достаточно прочный, чтобы выдержать вес изделия. • Шум могут вызывать предметы, которые находятся на холодильнике. Такие предметы следует убрать с холодильника.
Слышен шум льющейся или разбрызгивающейся жидкости.
<ul style="list-style-type: none"> • Расход жидкости и газа изменяется в соответствии с принципами работы изделия. Это нормально и не является неисправностью.
Слышен шум, похожий на шум ветра.
<ul style="list-style-type: none"> • Для обеспечения эффективного охлаждения в холодильнике используются устройства подачи воздуха (вентиляторы). Это нормально и не является неисправностью.

Конденсация влаги на внутренних стенках холодильника.
<ul style="list-style-type: none"> • Жаркая и влажная погода способствует образованию льда и конденсации влаги. Это нормально и не является неисправностью. • Дверцы приоткрыты. Убедитесь, что дверцы полностью закрыты. • Возможно, дверцы открывались очень часто, или дверца оставалась открытой длительное время. Открывайте дверцу реже.
Появление влаги снаружи холодильника или между дверцами.
<ul style="list-style-type: none"> • Возможно, причина во влажной погоде. Это вполне нормально при влажной погоде. Когда влажность уменьшится, конденсация исчезнет.
Неприятный запах внутри холодильника.
<ul style="list-style-type: none"> • Следует выполнить чистку внутри холодильника. Протрите холодильник внутри губкой, смоченной в теплой воде или в газированной воде. • Некоторые контейнеры или упаковочные материалы также могут быть источником запаха. Используйте другой контейнер или упаковочный материал другой марки.
Дверца (дверцы) не закрывается (не закрываются).
<ul style="list-style-type: none"> • Упаковки продуктов могут препятствовать закрыванию дверцы. Переместите упакованные продукты, препятствующие закрытию дверцы. • Возможно, холодильник стоит не совсем вертикально, это может вызвать дрожание при любом перемещении. Отрегулируйте регулировочные винты. • Пол неровный или нежесткий. Убедитесь в том, что пол ровный и может выдержать вес холодильника.

Контейнеры для фруктов и овощей прилипли.
• Возможно, продукты касаются верхней части контейнера. Переместите продукты в контейнере.
Горячая Поверхность Изделия
• Во время работы изделия поверхность между двумя дверцами, на боковых панелях и у задней решетки может нагреваться до высокой температуры. Это нормальное явление, не требующее сервисного обслуживания!

Изготовитель: «Arcelik A.S.» Юридический адрес: Караач Джаддеси № 2-6 34445 Сютлюдже Стамбул, Турция (Karaağaç Caddesi No:2-6 Sütlüce, 34445, Turkey)

Произведено в Турции

Импортер на территории РФ: ООО «БЕКО» Юридический адрес: 601021 Россия, Владимирская обл., Киржачский р-н, МОСП Першинское, дер. Федоровское, ул. Сельская, д. 49.

Информацию о сертификации продукта Вы можете уточнить, позвонив на горячую линию 8-800-200-23-56.

Официальный представитель на территории Украины: ООО "Беко Украина", адрес: 01021, г. Киев, ул. Кловский спуск, д. 5.

Информацию о сертификации можно получить в информационно-справочной службе по телефону 0-800-500-4-3-2

Дата производства включена в серийный номер продукта, указанный на этикетке, расположенной на продукте, а именно: первые две цифры серийного номера обозначают год производства, а последние две – месяц. Например, "10-100001-05" обозначает, что продукт произведен в мае 2010 года.

Изготовитель оставляет за собой право на внесение изменений в конструкцию, дизайн и комплектацию электроприбора.

изготовитель оставляет за собой право вносить изменения в конструкцию, дизайн и комплектацию электроприбора.



Molimo Vas da prvo pročitate uputstvo za upotrebu!




Dragi kupci,
nadamo se da će Vas vaš proizvod, proizveden u namodernijim fabrikama i
proveren najtemeljnijim procedurama kontrole kvaliteta, dobro služiti.
Iz tog razloga, preporučujemo da pažljivo pročitate celo uputstvo za
upotrebu Vašeg proizvoda pre nego što počnete da ga koristite i da
uputstvo sačuvate negde pri ruci, radi buduće upotrebe.

Ovo uputstvo:

- Pomoći će Vam da koristite uređaj na najbrži i nabezbedniji način.
- Pročitajte ga pre instaliranja uređaja i početka korišćenja.
- Pratite instrukcije, posebno one koje se odnose na mere opreza.
- Čuvajte ga na mestu kojem lako možete pristupiti u slučaju da vam kasnije zatreba.
- Takođe pročitajte i ostalu dokumentaciju koja vam je stigla uz proizvod. Imajte u vidu da ovo uputstvo može biti validno i za druge modele frižidera.

Simboli i njihov opis

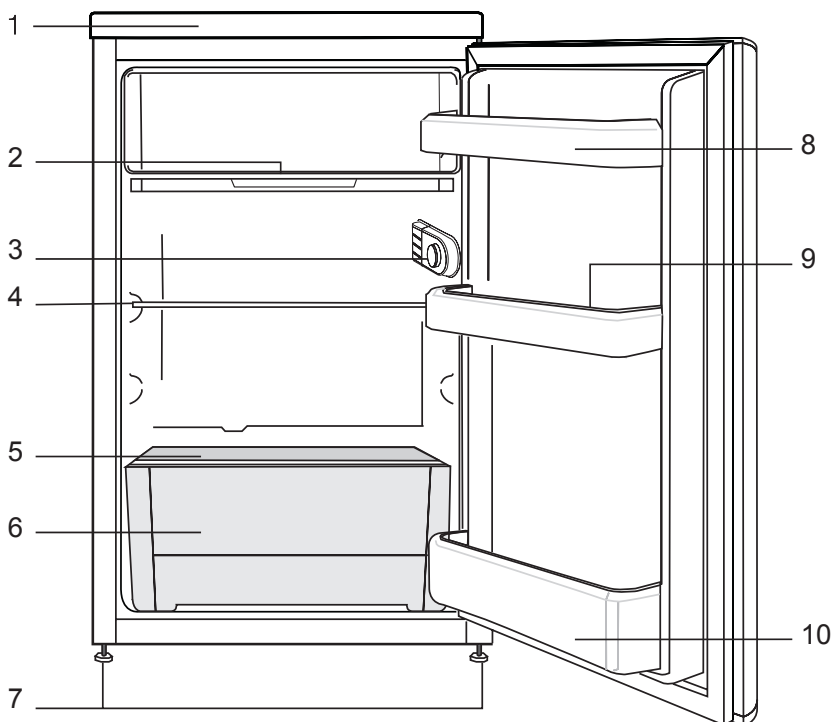
Ovo uputstvo za upotrebu sadrži sledeće simbole:

-  Važna informacija ili koristan savet.
-  Upozorenje na opasne uslove korišćenja koji vam ugrožavaju život i imovinu.
-  Upozorenja koja se odnose na električni napon.

SADRŽAJ

1	Vaš frižider	3	5	Korišćenje frižidera	14
2	Važne mere opreza	4		Odleđivanje aparata.....	15
	Namena	4		Hlađenje	16
	Opšte mere bezbednosti.....	4		Držanje hrane	16
	Bezbednost dece	6	6	Održavanje i čišćenje	17
	HC upozorenje.....	6		Zaštita plastičnih površina .	17
	Stvari koje morate uraditi da biste uštedeli struju	7	7	Rešavanje problema	18
3	Instaliranje	8			
	Šta sve morate imati u vidu kada transportujete frižider....	8			
	Pre upotrebe frižidera.....	8			
	Odbacivanje pakovanja.....	9			
	Odbacivanje Vašeg starog frižidera	9			
	Postavljanje i instaliranje...	9			
	Zamena sijalice na unutrašnjem svetlu.....	10			
	Podešavanje nožica.....	11			
	Promena strane otvaranja vrata	12			
4	Pripreme	13			

1 Vaš frižider



- | | |
|--|---------------------------------------|
| 1 Gornja ploča | 6 Odeljak za držanje svežih namirnica |
| 2 Posuda za odvod | 7 Podesive prednje nožice |
| 3 Unutrašnje svetlo i dugme termostata | 8 Police na vratima |
| 4 Premestiva polica | 9 Ležište za jaja |
| 5 Poklopac odeljka za sveže namirnice | 10 Polica za flaše |

i Stavke navedene u ovom uputstvu samo su šematski prikaz i možda neće biti baš iste kao na Vašem proizvodu. Ako neke stavke koje postoje na aparatu koji ste kupili, a nisu ovde navedene, znači da su za neki drugi model.

2 Važne mere opreza

Molimo Vas da pročitate sledeće informacije. Ako ih ne budete sledili, može doći do ličnih povreda ili materijalne štete. U tom slučaju, garancija i naša odgovornost neće važiti.

Radni vek aparata koji ste kupili je 10 godina. To je period u kojem se čuvaju rezervni delovi neophodni za funkcionisanje ovog aparata.

Namena

- Ovaj uređaj bi trebalo koristiti samo u domaćinstvu i sličnim uslovima, kakve imaju:
 - kuhinje za osoblje u prodavnicama, kancelarijama, motelima i drugim radnim prostorima;
 - farmerskim kućama i kod klijenata u hotelima, motelima drugim objektima stambenog tipa;
 - "noćenje i doručak" objektima;
 - katering i objektima slične namene.
- Ne bi ga trebalo koristiti u spoljašnjim uslovima. Čak iako je pokriven krovom.

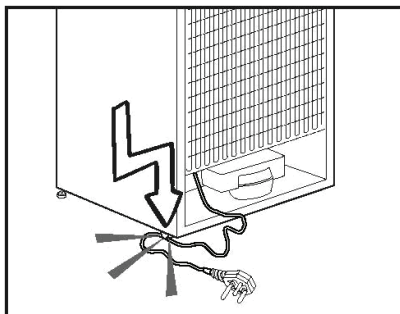
Opšte mere bezbednosti

- Kada budete želeli da ga odbacite, preporučujemo da to uradite uz konsultovanje sa Vašim lokalnim ovlašćenim servisom da biste saznali sve potrebne informacije oko zakonske regulative.
- Pozovite ovlašćeni servis za sva pitanja i sve probleme koji se odnose na frižider. Nemojte sami intervenisati ili pustiti nestručnu

osobu da to učini bez konsultacija sa ovlašćenim servisom.

- Ne jedite sladoled ili kockice leda istog trenutka kada ih izvadite iz zamrzivača (mogu izazvati promrzline u vašim ustima).
- Ne stavljajte flaširane ili konzervirane tečnosti ili pića u zamrzivač. moe doći do njihovog pucanja.
- Ne pipajte zamrznutu hranu rukama, može vam se zalepiti za prste.
- Paru i parne čistače nemojte nikada koristiti za čišćenje i proces odmrzavanja vašeg frižidera. U protivnom, para može doći u kontakt sa električnim delovima i izazvati kratak spoj ili strujni udar.
- Nikada ne koristite delove vašeg frižidera, poput vrata, kao podupirač ili pomoć pri penjanju.
- Ne koristite električne uređaje unutar frižidera.
- Ne oštećujte kolo za hlađenje alatom poput bušilica ili sečivima. Sredstvo za hlađenje može izbiti iz aparata kada probušite gasne kanale, cevi ili oplat, i dovesti do iritacije kože i povreda očiju.
- Ne pokrivajte otvore za ventilaciju na vašem frižideru bilo kakvim materijalima.
- Popravku električnih uređaja sme vršiti isključivo kvalifikovani personal. Popravke koje je izvršilo nekompetentno lice mogu korisnika izložiti riziku.

- U slučaju bilo kakvog kvara, tokom održavanja ili popravke, prekinite dovod struje izvlačenjem strujnog kablja iz utičnice ili isključivanjem odgovarajućeg osigurača.
- Ne vucite za kabl već za utikač prilikom isključivanja iz struje.
- Flaše sa jačim pićima stavljajte uspravno i dobro ih zatvorite.
- Nemojte držati eksplozivne supstance, kao što su konzerve sa aerosolom, sa zapaljivim gorivima, u ovom frižideru.
- Nemojte koristiti mehaničke uređaje ili slična sredstva da biste ubrzali proces odmrzavanja, osim onih koje vam preporučuje proizvođač.
- Ovaj aparat nije namenjen za korišćenje od strane osoba (uključujući i decu) sa smanjenim fizičkim, čulnim ili mentalnim sposobnostima, bez iskustva i znanja, osim ako nisu pod nadzorom ili instrukcije nisu dobile od osobe zadužene za njihovu bezbednost.
- Ne upotrebljavajte oštećen frižider. Konsultujte se sa seervisom ukoliko imate bilo kakve sumnje.
- Električna sigurnost vašeg aparata će biti garantovana samo ako sistem uzemljenja u vašem domu odgovara standardima.
- Izlaganje frižidera snegu, kiši, suncu ili vetru je opasno po pitanju električne bezbednosti.
- Pozovite ovlašćeni servis ako primetite da je strujni kabl oštećen i slično.
- Nikada ne gurajte utičnicu strujnog kablja frižidera u struju tokom postavljanja. U protivnom, možete se izložiti riziku od smrti ili teških povreda.
- Ovaj frižider je dizajniran samo za držanje hrane. Ne bi ga trebalo koristiti za bilo šta drugo.
- Etiketa sa tehničkim podacima proizvoda se nalazi u levom unutrašnjem delu frižidera.
- Ne povezujte frižider sa sistemima za uštedu električne energije. Mogu oštetiti frižider.
- Ako frižider poseduje plavo svetlo, ne gledajte u svetlost pomoću optičkih uređaja.
- Ako je struja isključena kod manuelno kontrolisanih frižidera, molimo Vas da sačekate barem 5 minuta pre nego što ga ponovo povežete sa strujom.
- Ovo uputstvo bi trebalo proslediti sledećem vlasniku ako odlučite da ga prodate.
- Kada pomerate frižider, pobrinite se da ne oštetite strujni kabl. Da biste sprečili da dođe do požara, ne dozvolite da se strujni kabl prelomi. Ne postavljajte teške predmete na kabl. Kada je frižider uključen u struju, ne rukujte utikačem mokrim rukama.



- Ne spajajte ga sa utičnicama koje su labave.
- Radi bezbednosti, ne prskajte vodu direktno na spoljašnje ili unutrašnje delove frižidera.
- Ne prskajte zapaljive materijale, poput propana, blizu frižidera, jer može doći do požara ili eksplozije.
- Ne stavljajte predmete ispunjene vodom na vrh frižidera, jer mogu izazvati kratak spoj ili požar.
- Ne preopterećujte frižider velikom količinom hrane. Prevelika količina može dovesti do ispadanja prilikom otvaranja i zatvaranja vrata i do vaših povreda ili oštećivanja frižidera. Ne stavljajte predmete na frižider, jer mogu pasti prilikom otvaranja ili zatvaranja vrata i dovesti do vaših povreda ili oštećivanja frižidera.
- Materijale koji zahtevaju striktno određene temperature, kao što su vakcije, lekovi osetljivi na temperaturu, naučni materijali, itd, ne bi trebalo držati u frižideru.
- Ako frižider neće biti korišćen duže vreme, trebalo bi ga isključiti iz struje. Problem sa izolacijom strujnog kabla može dovesti do požara.
- Frižider će se možda tresti ili klatiti ako podesive nožice nisu stabilno pozicionirane na podu. Koristeći podesive nožice možete osigurati da frižider bude stabilan na podu.
- Ako frižider ima dršku na vratima, nemojte vući ili držati za nju tokom transporta frižidera, jer je možete odvaliti sa frižidera.
- U slučaju da frižider morate da koristite tik uz neki drugi frižider ili zamrzivač, postarajte se da razdaljina između njih bude najmanje 8 centimetara. U protivnom, može doći do kondenzacije na bočnim zidovima aparata.
- Pritisak vode na slavinama ne bi smeo da bude sipod 1 bara. Takođe, ne bi smeo da prelazi ni 8 bara.

Bezbednost dece

- Ukoliko vrata imaju bravu, ključ od brave bi trebalo čuvati van domašaja dece.
- Trebalo bi paziti da se deca ne igraju sa frižiderom.

HC upozorenje

Ako je Vaš frižider opremljen sistemom za hlađenje koji sadrži R600a:

Ovaj gas je zapaljiv. Iz tog razloga, pazite da ne oštetite sistem za hlađenje i cevi tokom transporta. U slučaju oštećivanja, držite proizvod dalje od potencijalnih izvora plamena i provetrajajte prostoriju u kojoj je frižider.

Preskočite upozorenje ako je Vaš frižider opremljen sistemom za hlađenje koji sadrži R134a.

Možete proveriti koji se gas koristi u Vašem frižideru na etiketi koja je locirana na levoj unutrašnjoj strani frižidera.

Nikada ne izlažite aparat vatri.

Stvari koje morate uraditi da biste uštedeli struju

- Ne držite vrata frižidera dugo otvorena.
- Ne ubacujte vrelu hranu ili pića u frižider.
- Ne preopterećujte frižider tako da cirkulisanje vazduha unutar aparata bude sprečeno.
- Ne postavljajte frižider na mesta koja su direktno izložena sunčevim zracima ili pored uređaja koji emituju toplotu, kao što su rerne, mašine za pranje sudova ili radijatori.
- Držite hranu u zatvorenim posudama.
- Maksimalna količina hrane se može ubaciti u frižider kada izvadite policu iz odeljka za zamrzavanje ili fijočku. Naznačena potrošnja struje Vašeg frižidera je utvrđena kada su police iz odeljka za zamrzavanje ili fioka bile izvađene i pod maksimalnim opterećenjem hranom. Nema rizika prilikom korišćenja police ili fijočke u odnosu na to kakvog je oblika ili veličine hrana koja treba da bude zamrznuta.

3 Instaliranje



Molimo Vas da zapamtite da proizvođač neće biti odgovoran u slučaju da niste pročitali informacije navedene u ovom uputstvu.

Šta sve morate imati u vidu kada transportujete frižider

1. Vaš frižider mora biti ispražnjen i očišćen pre transporta.
2. Police, oprema, odeljak za držanje svežih namirnica i ostalo moraju se učvrstiti lepljivom trakom da ne bi došlo do oštećivanja.
3. Pakovanje mora biti vezano debelim trakama i jakim kanapima, a pravila transporta naznačena na pakovanju se moraju ispoštovati.

Ne zaboravite...

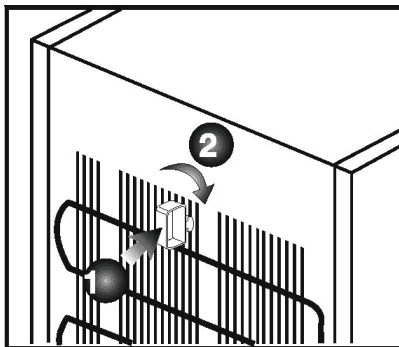
Svaki materijal koji se može reciklirati je neophodan našim nacionalnim izvorima. Ako želite da doprinesete reciklaži materijala za pakovanje, više informacija možete saznati kod lokalnih vlasti.

Pre upotrebe frižidera

Pre nego što počnete da koristite frižider, proverite sledeće:

1. Da li je unutrašnjost frižidera suva i da li vazduh cirkuliše slobodno iza aparata?
2. Možete instalirati 2 plastična odbojnika kao što je prikazano na slici. Plastični odbojnici će

obezbediti potrebnu udaljenost između frižidera i zida da bi se obezbedio nesmetan protok vazduha (Ilustracija je samo primer. Možda se neće u potpunosti složiti sa Vašim proizvodom).



3. Čistite enterijer frižidera kao što je objašnjeno u poglavlju "Održavanje i čišćenje".
4. Utaknite strujni kabl frižidera u utičnicu. Kada otvorite vrata, unutrašnje svetlo će se upaliti.
5. Čućete buku kada kompresor počne da radi. Tečnost i gasovi unutar sistema za hlađenje takođe mogu izazvati šumove, čak i kada kompresor ne radi. Ovo je potpuno normalno.
6. Prednje ivice frižidera mogu biti tople na dodir. Ovo je normalno. Ove zone su dizajnirane da se zagrevaju da se ne bi stvarala kondenzacija.

Povezivanje sa strujom

Povežite frižider sa uzemljenom utičnicom koja je zaštićena osiguračem odgovarajućeg kapaciteta.

Važno:

- Povezivanje mora biti izvršeno u skladu sa nacionalnim regulativama.
- Strujnom kablju se mora lako pričiti nakon instaliranja.
- Naznačeni napon se mora podudarati sa onim koji imate u utičnicama.
- Produžni kablovi i produžni kablovi sa višestrukim utičnicama se ne smeju koristiti.



Oštećeni kabl mora zameniti kvalifikovani električar.



Proizvod se ne sme koristiti pre popravke! Može doći do od strujnog udara.

Odbacivanje pakovanja

Materijali za pakovanje mogu biti opasni za decu. Čuvajte ove materijale van domašaja dece ili ih bacite klasifikovano u skladu instrukcijama za odbacivanje otpada.

Nemojte ih bacati zajedno sa običnim đubretom iz domaćinstva. Pakovanje Vašeg frižidera je proizvedeno od materijala koji se mogu reciklirati.

Odbacivanje Vašeg starog frižidera

Odbacite ga tako da ne izazovete bilo kakvu štetu životnoj sredini.

- Možete se konsultovati sa ovlašćenim prodavcem ili sa centrom za sakupljanje otpada u Vašoj opštini kako to da učinite.

Pre nego što bacite frižider, isecite strujni kabl i, ako ima bilo kakvih bravica na vratima, učinite ih neoperativnim da biste zaštitili decu od potencijalnih opasnosti.

Postavljanje i instaliranje

Ako ulazna vrata prostorije u kojoj ćete postaviti frižider nisu dovoljno široka da biste ga uneli, pozovite ovlašćeni servis da skine vrata sa frižidera i vrati ih kada obavite unošenje.



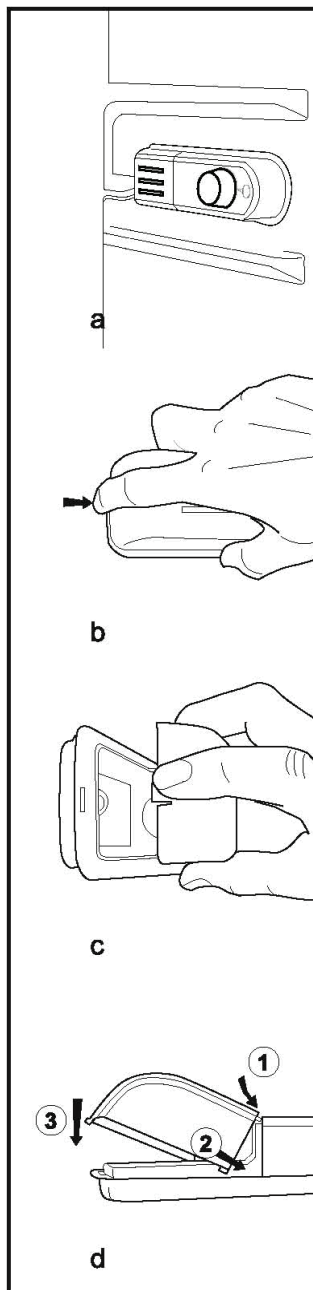
1. Instalirajte frižider na mestu gde se može lako koristiti.
2. Držite ga dalje od izvora toplote, vlažnih mesta i direktnih udara sunčevih zraka.
3. Oko frižidera mora postojati odgovarajuća cirkulacija vazduha da bi se obezbedila efikasna operativnost. Ako planirate da ga postavite u udubljenje u zidu, oko njega mora biti barem 5 cm slobodnog prostora - od tavanice i zidova. Ako je pod prekriven tepihom, frižider mora biti 2,5 cm odignut od poda.
4. Postavite frižider na ravnu površinu da biste sprečili drmanje.
5. Nemojte ga držati u prostorijama gde je temperatura ispod 10°C.

Zamena sijalice na unutrašnjem svetlu

Ako svetlo prestane da radi, izvucite strujni kabl iz utičnice. Pratite instrukcije navedene ispod da biste proverili da li se sijalica možda razlabavila u ležištu.

Ako i dalje ne radi, izvršite zamenu sijalice E14 tipa (sa navojem) od 15 vati (maksimalno), koju možete nabaviti u lokalnoj prodavnici. Učinite to na sledeći način:

1. Izvucite strujni kabl iz struje. Možda ćete sledeći korak lakše obaviti ako izvadite policu iz frižidera.
2. Skinite poklopac sa svetiljke kao što je prikazano (a-b).
3. Zamenite pregorelu sijalicu.
4. Vratite poklopac kao što je prikazano (c). Pritisnite čvrsto da bi legao na mesto.
5. Odmah, ali pažljivo, odbacite pregorelu sijalicu.

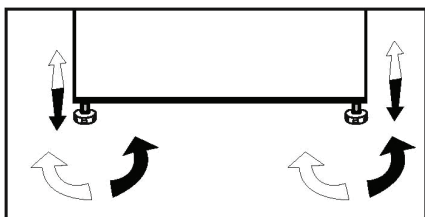


Podešavanje nožica

Ako je Vaš frižider nestabilan;

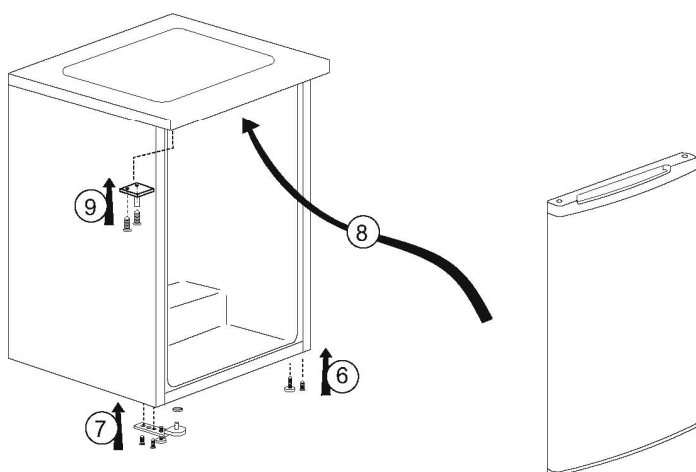
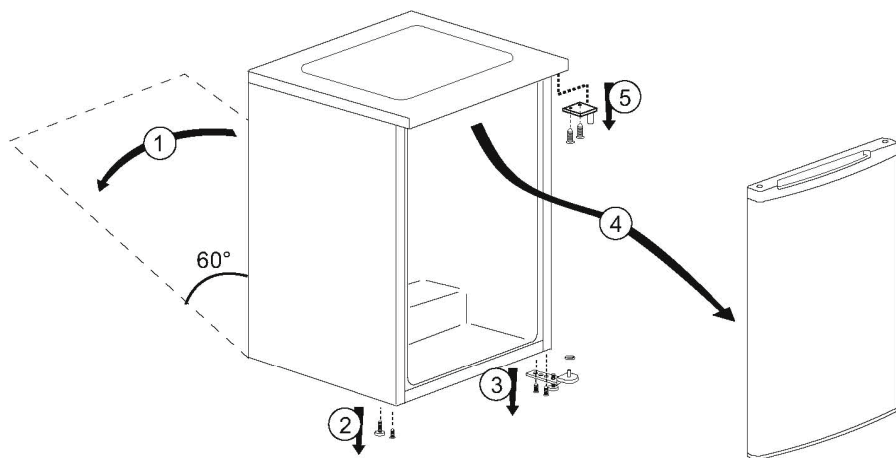
Možete izbalansirati frižider okretanjem prednjih nožica kao što je prikazano na slici. Čošak na kojem je montirana nožica će se spustiti kada je okrenete u smeru crne strelice, a podignuta kada je okrenete obrnuto.

Neko mora da vam pomogne, tako što će blago podići frižider od poda tokom podešavanja.



Promena strane otvaranja vrata

Pratite brojeve redom.



4 Pripreme

i Vaš frižider bi trebalo da bude instaliran najmanje 30 cm od izvora toplote, poput šporeta, mikrotalasnih rerni, centralnog grejanja i najmanje 5 cm od električnih rerni. Ne postavljajte ga negde gde će biti pod udarom sunčevih zraka.

i Temperatura u prostoriji u koju instalirate frižider mora biti najmanje 10°C. Korišćenje frižidera na nižim temperaturama nije preporučljivo u pogledu njegove efikasnosti.

i Pazite da enterijer Vašeg frižidera bude dobro obrisano.

i Ako treba da instalirate 2 frižidera jedan do drugog, između njih mora biti najmanje 2 cm udaljenosti.

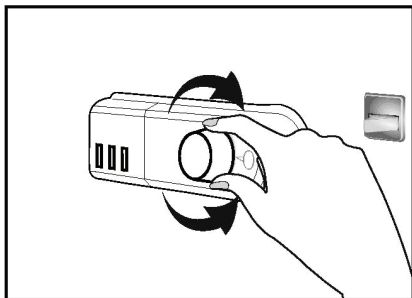
i Kada frižider koristite prvi put, molimo Vas da ispratite sledeće instrukcije u sledećih 6 časova:

– Vrata ne bi trebalo otvarati često.
– Mora se koristiti prazan, bez bilo kakve hrane u njemu.

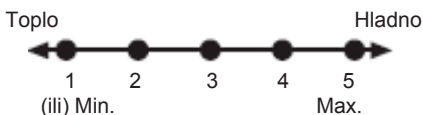
– Nemojte ga isključivati iz struje. Ako dođe do nestanka struje bez Vaše kontrole, pročitajte upozorenja iz poglavlja "Rešavanje problema".

i Originalno pakovanje i penaste materijale bi trebalo čuvati radi nekog budućeg transporta.

5 Korišćenje frižidera



Radna temperatura se reguliše kontrolom temperature.



1 = Najniže podešenje hlađenja (Najtoplije podešenje)

5 = Najniže podešenje hlađenja (Najhladnije podešenje)

ili

Min. = Najniže podešenje hlađenja (Najtoplije podešenje)

Max. = Najniže podešenje hlađenja (Najhladnije podešenje)

Prosečna temperatura unutar frižidera bi trebalo da bude +5°C.

Molimo vas da izaberete podešenje u skladu sa željenom temperaturom.

Rad Vašeg frižidera ćete zaustaviti stavljanjem kružnog dugmeta termostata na "0" poziciju.

Napominjemo da će temperatura biti različita u delu za hlađenje. Najhladnija zona je odmah iznad odeljka za povrće.

Pri ambijentalnoj temperaturi većoj od 30 °C uklonite tacnu za ceđenje za bolji učinak.

Unutrašnja temperatura takođe zavisi od ambijentalne temperature, učestalosti otvaranja vrata i količine hrane u frižideru.


Često otvaranje vrata izaziva dizanje unutrašnje temperature. Iz tog razloga, preporučujemo da što pre zatvorite vrata nakon upotrebe.

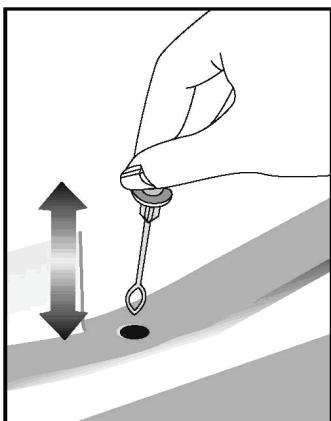
Odleđivanje aparata

Prekomerno hvatanje leda na zidovima će uticati na efikasnost rada Vašeg frižidera. Zbog toga se preporučuje da odleđujete Vaš frižider najmanje 2 puta godišnje, ili kad god debljina leda koji se nahvatao pređe 7 mm. Odleđujte aparat samo kada u njemu nema mnogo hrane ili je nema uopšte.

Izvadite hranu. Umotajte je u nekoliko slojeva papira, ili u vuneno čebe, pa stavite na hladno mesto.

Izvucite strujni kabl frižidera iz struje ili odvrnite osigurač da biste započeli proces odleđivanja. Izvadite opremu (poput polica, fioka, itd) iz frižidera i koristite prikladnu posudu da biste sakupili vodu koja se otapa. Upotrebite sunđer ili meku tkaninu da biste obrisali vodu iz odeljaka.

 i odeljak za zamrz. hranu



Držite vrata frižidera otvorena tokom odleđivanja.

Radi bržeg odleđivanja, postavite posude sa vrućom vodom unutar aparata.

Nikada nemojte koristiti električne uređaje, sprejeve za odleđivanje ili oštre predmete, poput noževa ili viljušaka da biste uklonili led.

kada odleđivanje bude gotovo, obrišite firžider iznutra.

Ponovo priključite aparat u struju. Stavite zamrznutu hranu u fijke i vratile fijke u frižider.

Hlađenje

Držanje hrane

Frižiderski deo služi za kraće držanje sveže hrane i pića.

Mlečne proizvode držite u za to predviđenom odeljku frižidera.

Flaše se mogu držati u držaču za flaše ili u pregradi za flaše na vratima.

Sirovo meso je najbolje da držite u polietilenskim kesicama u odeljku na samom dnu frižidera.

Omogućite da se vruća hrana i pića ohlade pre nego što ih ubacite u frižider.

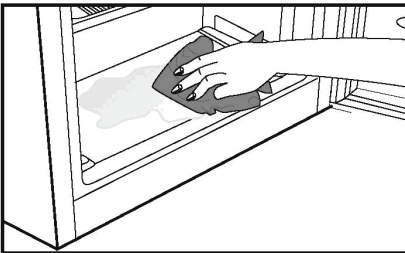
- **Pažnja!**

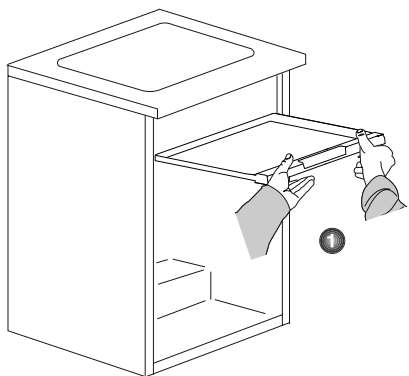
Alkohol držite isključivo u uspravnom položaju, dobro zatvoren.

- **Pažnja!**

Ne stavljate eksplozivne supstance ili kutije sa zapaljivim gasovima (šlag u konzervi, konzervirane stvari, itd) u uređaj.

Postoji opasnost od eksplozije.

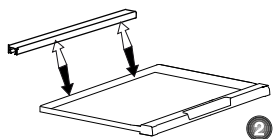




Prigušna klapna posude isparivača treba da se koristi kao što je opisano u nastavku da bi se održavala željena temperatura odeljka u zavisnosti od temperature okoline, kao što je zimski režim za nisku temperaturu okoline i letnji režim za visoku temperaturu okoline.

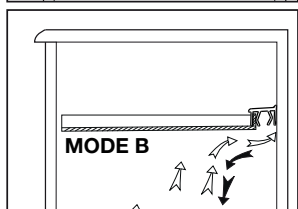
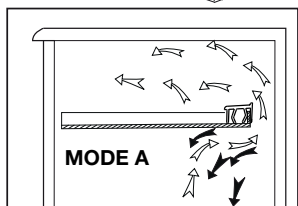
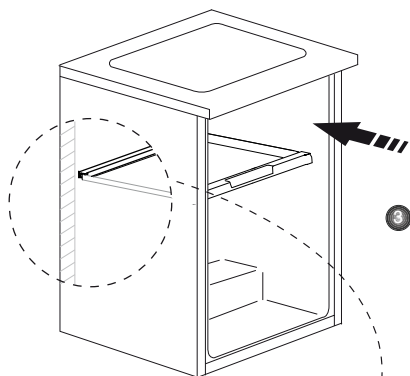
LETNJI REŽIM

(Kada je potrebna niža temperatura u odeljku.)





ZIMSKI REŽIM


(Kada je potrebna viša temperatura u odeljku.)





6 Održavanje i čišćenje


 Nikada nemojte koristiti benzin, abrazivna sredstva ili kiseline za čišćenje.


 Preporučujemo da isključite uređaj iz strujne utičnice pre čišćenja.


 Nikada nemojte koristiti bilo kakav oštar predmet ili abrazivna sredstva, sapun, sredstva za čišćenje u domaćinstvu, deterdžente ili sredstva za voskiranje kada ga čistite.


 Koristite mlaku vodu za čišćenje kućišta uređaja i obrišite ga suvom krpom.

 Koristite tkaninu natopljenu pa iscedenu u rastvoru jedne kafene kašičice bikarbone sode u pola litra vode, pa očistite unutrašnjost uređaja i obrišite suvom krpom.


 Pazite da voda ne uđe u kutiju za kontrolu temperature.

 Ukoliko uređaj neće biti korišćen duže vreme, isključite ga, izvadite svu hranu, očistite ga i ostavite vrata odškrnuta.

 Proveravajte dichtung na vratima s vremena na vreme da biste bili sigurni da je čist i bez parčića hrane.

 Da biste skinuli police sa vrata, sklonite sav sadržaj sa njih a zatim ih jednostavno gurnite nagore iz ležišta.

Zaštita plastičnih površina

 Ne stavljajte ulje u tečnom stanju ili jela kuvana na ulju u Vaš frižider ako nisu dobro zaptivena u posudama, jer mogu oštetiti plastične površine u frižideru. U slučaju da prospete ili prsnete ulje na plastičnu površinu, obrišite ili isperite taj deo mlakom vodom odmah.

7 Rešavanje problema

Molimo Vas da pročitate ovu listu pre nego što pozovete ovlašćeni servis. Može Vam uštedeti vreme i novac. Ova lista sadrži najčešće žalbe koje nisu rezultat loše proizvodnje ili korišćenog materijala. Neke od ovde navedenih stavki možda ne postoje kod Vašeg proizvoda.

Frižider ne radi.

- Da li je utikač pravilno gurnut u strujnu utičnicu (da biste proverili da li u utičnici ima struje, gurnite u nju utikač drugog uređaja).
- Da li je pregoreo osigurač / iskočio osigurač? Proverite osigurač.

Kondenzacija na bočnim zidovima u odeljku frižidera (MULTIZONE, COOL CONTROL i FLEXI ZONE).

- Veoma hladni uslovi u prostoriji. Često otvaranje i zatvaranje vrata frižidera. Velika vlažnost u prostoriji. Držanje tečne hrane u otvorenim posudama. Ostavili ste vrata odškrinuta. Stavili ste termostat na hladniji stepen.
- Smanjite vreme držanja vrata otvorenih ili ih ređe otvarajte.
- Pokrijte hranu koja je u otvorenim posudama prikladnim materijalom.
- Obrišite delove na kojima se uhvatila kondenzacija koristeći suhu krpu i proverite da se javlja ponovo.

Kompresor ne radi.

- Zaštitni osigurač kompresora će iskočiti u slučaju iznenadnih nestanaka struje ili uključivanja ili isključivanja iz struje, jer pritisku u sistemu za hlađenje frižidera treba vremena da se izbalansira. Vaš frižider će početi da radi nakon otprilike 6 minuta. Molimo Vas da pozovete servis u slučaju da frižider ne počne da radi nakon ovog perioda.
- Frižider je u procesu odleđivanja. ovo je normalno za frižidere sa potpuno automatskim odleđivanjem. Proces odleđivanja vrši se periodično.
- Vaš frižider nije priključen u struju. Proverite i kako je utikač utaknut u zidnu utičnicu.
- Da li su podešavanja temperature pravilno izvršena?
- Možda je isključena struja.

Frižider (kompresor) radi vrlo često ili dugo.

- Možda je Vaš novi proizvod širi od prethodnog. Ovo je potpuno normalno. Veliki frižideri rade duže.
- Možda je temperatura u ambijentu previsoka. Onda je to je potpuno normalno.
- Možda je frižider nedavno priključen u struju ili je prepun hrane. Hlađenje celog frižidera može trajati nekoliko sati duže.
- Velike količine vrela hrane su stavljene nedavno u frižider. Vruća hrana izaziva duži rad frižidera sve dok se ne postigne potrebna temperatura za čuvanje hrane.
- Vrata se možda prečesto otvaraju ili ostavljaju odškrinuta duže vreme. Topao vazduh je ušao u frižider i izazvao da radi duže. Manje otvarajte vrata frižidera.
- Vrata zamrzivača ili frižidera su možda ostavljena odškrinuta. Proverite da li zaptivena.
- Frižider je podešen na veoma nisku temperaturu. Stavite je na nešto višu temperaturu (viši stepen) i sačekajte da ta temperatura bude postignuta.
- Guma za zaptivanje (dichtung) na vratima je zaprljana, istrošena, pokidana ili ne leži kako treba. Očistite je ili je zamenite. Oštećena/pokidana guma izaziva da frižider radi duže da bi održavao postojeću temperaturu.

Temperatura u zamrzivaču je veoma niska, dok je u frižideru vrlo visoka.

- Temperatura u zamrzivaču je podešena na veoma nizak stepen. Podesite je na viši stepen i proverite.

Temperatura u frižideru je veoma niska, dok je u zamrzivaču vrlo visoka.

- Temperatura u frižideru je podešena na veoma nizak stepen. Podesite je na viši stepen i proverite.

Hrana koju držite u odeljku frižidera je počela da se zamrzava.

- Temperatura u frižideru je podešena na veoma nisku temperaturu. Podesite je na viši stepen i proverite.

Temperatura u frižideru ili zamrzivaču je veoma visoka.

- Temperatura u frižideru je podešena na veoma visok stepen. Podešenje temperature frižidera utiče na podešenje temperature zamrzivača. Menjajte temperaturu u frižideru ili zamrzivaču sve dok temperatura u zamrzivaču ili frižideru ne dostigne dođe do odgovarajućeg nivoa.
- Vrata se možda prečesto otvaraju ili ostavljaju odškrinuta. Manje ih otvarajte.
- Velike količine vrela hrane su stavljene nedavno u frižider. Sačekajte dok frižider ili zamrzivač ne dostignu željenu temperaturu.
- Možda je frižider nedavno priključen u struju. Hlađenje frižidera može potrajati.

Buka se pojačava dok frižider radi (kompresor).
<ul style="list-style-type: none"> • Radne performanse frižidera se mogu menjati zbog promene temperature u ambijentu. To je normalno i nije kvar.
Vibracije ili šum.
<ul style="list-style-type: none"> • Pod nije ravan ili je mekan. Frižider se klata kada ga gurnete lagano. Postarajte se da pod bude dovoljno čvrst da nosi težinu frižidera. I ravan. • Boku možda prave stvari stavljene na frižider. Sklonite stvari koje ste stavili na vrh frižidera.
Čuju se zvuci kao da se voda prosipa ili prska.
<ul style="list-style-type: none"> • Protok tečnosti ili gasova se događa u skladu sa operativnim principima frižidera. To je normalno i nije kvar.
Čuje se buka kao da vetar duva.
<ul style="list-style-type: none"> • Ventilatori se koriste za hlađenje frižidera. To je normalno i nije kvar.
Kondenzacija na unutrašnjim zidovima frižidera.
<ul style="list-style-type: none"> • Vruće i vlažno vreme povećavaju hvatanje leda i kondenzaciju. To je normalno i nije kvar. • Možda su vrata ostavljena odškrinuta. Proverite da li dobro naležu. • Vrata se možda prečesto otvaraju ili ostavljaju odškrinuta. Manje ih otvarajte.
Vlaga se pojavljuje izvan frižidera ili između vrata.
<ul style="list-style-type: none"> • Možda je vazduh veoma vlažan. Ovo je normalno tokom vlažnog vremena. Kada se vlažnost vazduha bude smanjila, kondenzacija će nestati.
Neprijatan miris se oseća iz frižidera.
<ul style="list-style-type: none"> • Unutrašnjost frižidera mora biti očišćena. Očistite je sunđerom, mlakom vodom i sodom bikarbonom. • Neka pakovanja ili materijali mogu izazvati neprijatan miris. Koristite druge vrste posuda ili drugu marku posuda.
Vrata ne mogu da se zatvore.
<ul style="list-style-type: none"> • Možda hrana ne dozvoljava da se vrata zatvore. Pomerite pakovanja koja ometaju vrata. • Frižider ne stoji pravo i klata se kada ga gurnete blago. Podesite prednje nožice. • Pod nije ravan ili je mekan. Postarajte se da pod bude dovoljno čvrst da nosi težinu frižidera. I ravan.
Odeljci za sveže namirnice su se zaglavili.
<ul style="list-style-type: none"> • Možda hrana u njima dodiruje gornji zid fijeke. Premestite je ili promenite njen položaj.

Prosím, najskôr si prečítajte túto príručku!

Vážený zákazník,

dúfame, že váš produkt, ktorý bol vyrobený v moderných továrňach a skontrolovaný v rámci prepracovaných postupov riadenia kvality, vám bude úspešne a efektívne slúžiť.




Preto vám odporúčame, aby ste si pozorne prečítali celú túto príručku k vášmu produktu predtým, ako ho začnete používať, a ponechajte si ju poruke, aby ste si ju v prípade potreby mohli prezerať.

Tento manuál

- Vám pomôže používať váš prístroj rýchlo a bezpečne.
- Manuál si prečítajte pred inštaláciou a prevádzkou vášho produktu.
- Dodržiavajte pokyny, obzvlášť tie, ktoré sa týkajú bezpečnosti.
- Manuál si uschovajte na ľahko prístupnom mieste, pretože ho môžete neskôr potrebovať.
- Okrem toho si prečítajte aj ostatné dokumenty dodané s vaším produktom. Majte na pamäti, že tento manuál platí aj pre iné modely.

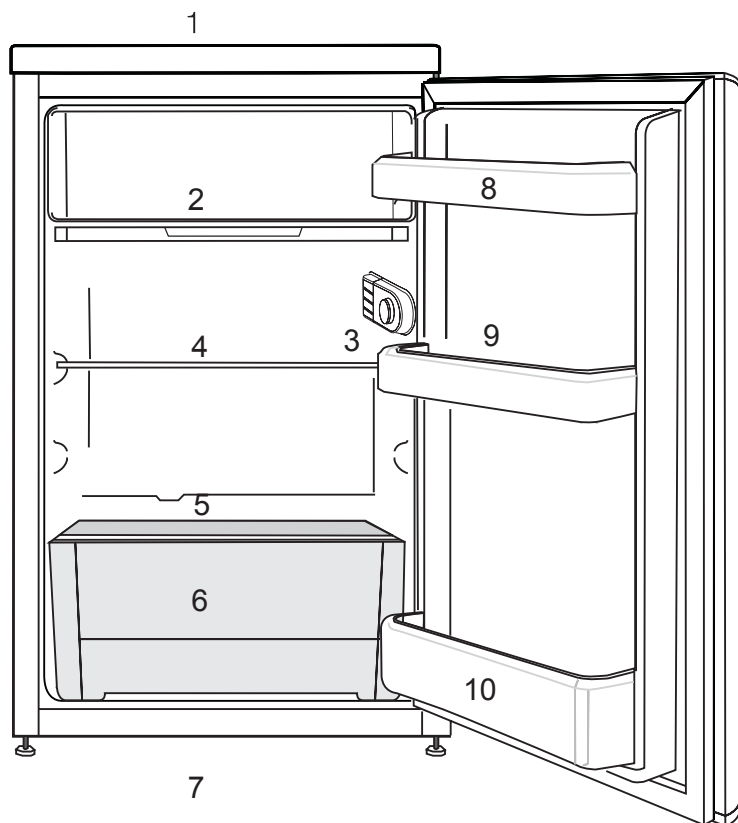
Symbole a ich popis

Tento návod na obsluhu obsahuje nasledovné symboly:

-  Dôležité informácie alebo užitočné tipy.
-  Výstraha pred ohrozením života a majetku.
-  Výstraha pred elektrickým napätím.

1 Vaša chladnička	4	4 Príprava	15
2 Dôležité bezpečnostné výstrahy	5	5 Používanie chladničky	16
Určené použitie.....	5	Rozmrazovanie spotrebiča	16
Pri výrobkoch s dávkovačom vody	8	Chladenie	17
Bezpečnosť detí.....	9	Uskladnenie potravín.....	17
V súlade so smernicou o odpadoch z elektrických a elektronických zariadení a zneškodňovaní odpadov: 9		6 Údržba a čistenie	19
V súlade s Obmedzením používania niektorých nebezpečných látok v elektronických a elektrických zariadeniach	9	Ochrana plastových povrchov	19
Informácie o balení	9	7 Odporúčané riešenia problémov	20
Upozornenie HC	9		
Veci, ktoré treba urobiť pre úsporu energie.....	10		
3 Inštalácia	11		
Body, ktoré je potrebné zvažovať pri opakovanej preprave chladničky.....	11		
Pred uvedením chladničky do prevádzky	11		
Elektrické pripojenie	12		
Likvidácia obalu.....	12		
Likvidácia vašej starej chladničky	12		
Umiestnenie a inštalácia.....	12		
Nastavenie nôh.....	13		
Výmena lampy osvetlenia	13		
Obrátenie dverí.....	14		

1 Vaša chladnička



- | | |
|---|-----------------------------------|
| 1. Horný zachytávací prvok | 6. Priečinko na zeleninu a ovocie |
| 2. Odtokový priečnik | 7. Nastaviteľná predná nôžka |
| 3. Vnútročné osvetlenie a gombík termostatu | 8. Dverové police |
| 4. Posuvná polička | 9. Držiak na vajíčka |
| 5. Kryt priečinku na zeleninu a ovocie | 10. Polica na fľašky |





D Obrázky v tejto príručke k obsluhu sú schematické a nemusia sa presne zhodovať s vaším produktom. Ak produkt, ktorý ste si zakúpili, nedisponuje uvádzanými časťami, potom sa to týka iných modelov.

2 Dôležité bezpečnostné výstrahy

Prečítajte si nasledujúce informácie. Nedodržanie týchto informácií môže mať za následok zranenia alebo vecné škody. Všetky záručné záväzky tým strácajú platnosť.

Originálne náhradné súčiastky budú dodávané po dobu 10 rokov od kúpy výrobku.

Určené použitie

	UPOZORNENIE: Udržujte vetracie otvory na kryte prístroja alebo v konštrukcii zabudovania bez prekážok.
	UPOZORNENIE: Nepoužívajte mechanické nástroje alebo iné prostriedky na urýchlenie procesu odmrazenia, okrem tých, ktoré odporúča výrobca.
	UPOZORNENIE: Nepoškozujte chladiaci okruh.
	UPOZORNENIE: Nepoužívajte elektrické spotrebiče vo vnútri priestoru na potraviny, iba ak sú doporučené výrobcom.

Toto zariadenie je určené pre použitie v domácnosti a v podobných podmienkach, ako sú napríklad

- Kuchynské miestnosti pre personál v obchodoch, kanceláriách a v iných pracovných prostrediach;
- farmárske domy a klienti v hoteloch, motelloch a iných typoch bytových zariadení;
- v ubytovacích zariadeniach typu bed and breakfast;
- stravovacie a podobné zariadenia neobchodného typu.

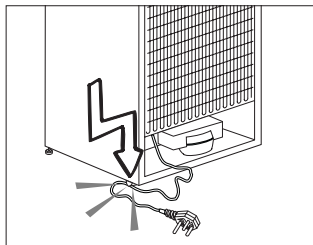
Všeobecná bezpečnosť

- Ak chcete vyradiť/zlikvidovať tento produkt, odporúčame vám poradiť sa s autorizovaným servisom, aby ste získali potrebné informácie o autorizovaných orgánoch zriadených na tento účel.
- Obráťte sa na autorizovaný servis so všetkými otázkami a problémami s vašou chladničkou. Nezasahujte ani nenechajte iných zasahovať do chladničky bez upozornenia autorizovaného servisu.
- Pri výrobkoch s mraziacim priečinkom nejedzte zmrzlinu v kornútoch a kocky ľadu ihneď po ich vybratí z mraziaceho priečinka! (Môžete si tým spôsobiť nepríjemný mrazivý pocit v ústach.)
- Pri výrobkoch s mraziacim priečinkom nedávajte tekuté nápoje vo fľašiach a plechovkách. V opačnom prípade by mohli prasknúť.

- Mrazeného jedla sa nedotýkajte rukami; mohlo by sa k ruke prilepiť.
- Pred čistením alebo rozmrazovaním chladničku odpojte.
- Para a parové čistiace prostriedky by sa nikdy nemali používať pri čistení a odmrazovaní vašej chladničky. V takýchto prípadoch by sa para mohla dostať do kontaktu s elektrickými dielmi a spôsobiť skrat alebo zásah elektrickým prúdom.
- Nikdy nepoužívajte rôzne časti, ako napr. dvere, ako podpery alebo schodíky.
- Vo vnútri vašej chladničky nepoužívajte elektrické zariadenia.
- Časti, v ktorých cirkuluje chladivo, nepoškodzujte nástrojmi na vrtanie alebo rezanie. V prípade perforácie plynových kanálov výparníka, trubkových rozšírení alebo povrchových úprav, spôsobuje rozliaty chladiaci prostriedok podráždenie pokožky a zranenia očí.
- Neprekrývajte ani neblokujte ventilačné otvory na chladničke žiadnymi materiálmi.
- Elektrické spotrebiče musia opravovať len oprávnené osoby. Opravy vykonávané nekompetentnými osobami predstavujú riziko pre používateľa.
- V prípade zlyhania alebo počas údržby alebo opráv odpojte chladničku od elektrického rozvodu buď vypnutím príslušnej poistky alebo odpojením spotrebiča od siete.
- Pri odpájaní zásuvky neťahajte za kábel, ale potiahnite zásuvku.
- Uistite sa, že nápoje s vysokým obsahom alkoholu sú bezpečne uzavreté a umiestnené kolmo .
- V chladničke neskladujte spreje s rozprašovačom, ktoré obsahujú horľavé alebo výbušné látky.
- Nepoužívajte mechanické prístroje alebo iné prostriedky na urýchľovanie rozmrazovacieho procesu iné ako tie, ktoré odporúča výrobca.
- Tento produkt nie je určený na používanie osobami s fyzickými, zmyslovými alebo duševnými poruchami alebo nepoučenými alebo neskúsenými osobami (vrátane detí), pokiaľ pri nich nie je osoba, ktorá je zodpovedná za ich bezpečnosť, alebo ktorá ich riadne poučí o používaní produktu
- Neuvádzajte do prevádzky poškodenú chladničku. Ak máte akékoľvek pochybnosti, obráťte sa na servisného zástupcu.

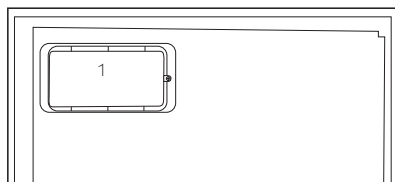
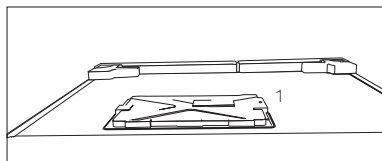
- Elektrická bezpečnosť vašej chladničky je zaručená len vtedy, keď je váš uzemňovací systém v zhode s týmito štandardmi.
- Vystavenie produktu pôsobeniu dažďa, snehu, slnka a vetra je nebezpečné z pohľadu elektrickej bezpečnosti.
- Pri poškodení elektrického kábla kontaktujte autorizovaný servis, aby ste zabránili ohrozeniu.
- Počas inštalácie nikdy chladničku nepripájajte do elektrickej zásuvky. V opačnom prípade vznikne riziko usmrtenia alebo vážneho zranenia.
- Táto chladnička je určená len na skladovanie potravín. Nepoužívajte ju na žiadne iné účely.
- Štítok s technickými údajmi sa nachádza na ľavej stene vo vnútri chladničky.
- Chladničku nezapájajte do elektronických systémov na úsporu energie, pretože ju môžu poškodiť.
- Ak na chladničke svieti modré svetielko, nepozerajte sa do neho voľným okom alebo optickými nástrojmi po dlhšiu dobu.
- Manuálne riadené chladničky zapínajte po výpadku prúdu s odstupom najmenej 5 minút.
- Pri odovzdaní produktu inej osobe odovzdajte túto príručku k obsluhu novému vlastníkovi.

- Zabráňte poškodeniu elektrického kábla pri preprave chladničky. Prehýbanie kábla môže spôsobiť požiar. Na napájací kábel nedávajte ťažké predmety. Pri zapájaní produktu sa zástrčky nedotýkajte mokrými rukami.



- Chladničku nezapájajte, ak je zásuvka na stene uvoľnená.
- Z bezpečnostných dôvodov nestriekajte vodu priamo na vnútorné alebo vonkajšie časti produktu.
- Z dôvodu rizika požiaru a výbuchu nerozstrekujte v blízkosti chladničky horľavé materiály, ako napríklad propánový plyn a pod.
- Na chladničku neumiestňujte nádoby naplnené vodou, pretože môžu spôsobiť zásah elektrickým prúdom alebo požiar.
- Nepreťažujte chladničku nadmernými množstvami potravín. Ak je preťažená, potraviny môžu spadnúť a spôsobiť vám zranenie a poškodiť chladničku, keď otvoríte dvere. Na chladničku nikdy nedávajte predmety, pretože môžu spadnúť, keď otvoríte alebo zatvoríte dvere chladničky.

- V chladničke neuchovávajúce vakcíny, lieky citlivé na teplo, vedecké materiály a pod., ktoré si vyžadujú presnú teplotu.
- Ak sa chladnička nebude dlhší čas používať, treba ju odpojiť zo siete. Možný problém s napájacím káblom môže spôsobiť požiar.
- Keď nastaviteľné nožičky nie sú umiestnené pevne na podlahe, môže dôjsť k posunu chladničky. Správnym upevnením nastaviteľných nožičiek na podlahe možno zabrániť posúvaniu chladničky.
- Pri prenášaní chladničky ju nedržte za rukoväť na dverách. V opačnom prípade môže prasknúť.
- Ak musíte umiestniť produkt vedľa inej chladničky alebo mrazničky, vzdialenosť medzi nimi musí byť najmenej 8 cm. Inak môžu príľahlé steny strán navlhnúť.
- Nikdy nepoužívajte výrobok, ak časť nachádzajúca sa na hornej alebo zadnej strane výrobku s elektronickou doskou s plošným spojov vo vnútri je otvorená (krycia doska elektronických plošných spojov) (1).



Pri výrobkoch s dávkovačom vody

- Tlak pre prívod studenej vody musí byť maximálne 90 psi (620 kPa). Ak je váš tlak vody vyšší ako 80 psi (550 kPa), použite vo vašej sieti ventil na obmedzovanie tlaku. Ak nevíete, ako skontrolovať tlak vody, požiadajte o pomoc profesionálneho inštalatéra.
- Ak pri inštalácii existuje riziko vodného rázu, vždy použite preventívne zariadenia proti vodnému rázu. Ak ste si nie je istý, či vo Vašej sieti je efekt vodného rázu, poraďte sa s profesionálnym inštalatérom.
- Neinštalujte na prívode pre teplú vodu. Vykonajte nevyhnutné opatrenia proti riziku zamrznutia hadíc. Prevádzkový interval teplota vody musí byť medzi minimálne 33 °F (0,6 °C) a maximálne 100 °F (38 °C).

Bezpečnosť detí

- Ak dvere obsahujú zámku, kľúč uchovávajte mimo dosah detí.
- Deti musia byť pod dohľadom, aby sa zabránilo ich zasahovaniu do produktu.

V súlade so smernicou o odpadoch z elektrických a elektronických zariadení a zneškodňovaní odpadov:



Tento produkt je v súlade so smernicou o odpadoch z elektrických a elektronických zariadení EÚ (2012/19/EÚ). Tento produkt obsahuje symbol triedeného odpadu pre odpadové elektrické a elektronické vybavenie (WEEE).

Tento produkt bol vyrobený z vysoko kvalitných častí a materiálov, ktoré môžu byť znovu použité a sú vhodné na recykláciu. Na konci životnosti odpad z produktu neodstraňujte s bežným odpadom z domácnosti ani s iným odpadom. Recyklujte ho v zbernom mieste určenou na recykláciu elektrického a elektronického vybavenia. Pre zistenie informácií o zberných miestach kontaktujte miestne úrady.

V súlade s Obmedzením používania niektorých nebezpečných látok v elektrických a elektronických zariadeniach

Tento produkt bol zakúpený v súlade so smernicou o odpadoch z elektrických a elektronických zariadení EÚ (2011/65/EÚ). Neobsahuje žiadne nebezpečné alebo zakázané materiály špecifikované smernicou.

Informácie o balení

Obalový materiál produktu je vyrobený z recyklovateľných materiálov v súlade s národnými predpismi o životnom prostredí. Nevyhadzujte obalové materiály spolu s odpadmi z domácnosti alebo inými odpadmi. Vezmite ho na zberné miesto označené miestnymi úradmi.

Upozornenie HC

Chladiaci systém vášho výrobku obsahuje R600a:

Tento plyn je horľavý. Preto dajte pozor na to, aby ste nepoškodili chladiaci systém a potrubné vedenia pri používaní a preprave. V prípade poškodenia udržiavajte produkt mimo potenciálnych zdrojov plameňa, ktoré by mohli spôsobiť vznietenie produktu, a miestnosť, kde je zariadenie umiestnené, dostatočne vetrajte.

Ignorujte toto upozornenie, ak chladiaci systém vášho výrobku obsahuje R134a.

Typ plynu použitý vo výrobku je uvedený na typovom štítku, ktorý sa nachádza na ľavej stene vnútri chladničky.

Produkt nelikvidujte hodením do ohňa.

Veci, ktoré treba urobiť pre úsporu energie

- Dvere vašej chladničky nenechávajte otvorené dlhý čas.
- Do chladničky nekladajte horúce jedlá alebo nápoje.
- Chladničku neprepíňajte, aby ste neblokovali prúdenie vzduchu v interiéri.
- Vašu chladničku neumiestňujte na priame slnečné svetlo alebo do blízkosti spotrebičov, ktoré produkujú teplo, ako napr. rúry na pečenie, umývačky riadu alebo radiátory.
- Dbajte na to, aby ste jedlo uchovávali v uzavretých nádobách.
- Pri výrobkoch s mraziacim priečinkom môžete v mrazničke skladovať maximálny objem potravín vtedy, keď odstránite poličku alebo priečinko mrazničky. Hodnota spotreby energie stanovená pre vašu chladničku bola stanovená tak, že sa odstránila polička alebo priečinko mrazničky a pri maximálnom vyťažení. So zreteľom na tvary a veľkosť potravín určených na zamrazenie neexistuje pri používaní police alebo zásuvky žiadne riziko.
- Rozmrazovanie mrazených potravín v priečinku chladničky zabezpečuje úsporu energie a taktiež zachováva kvalitu potravín.

3 Inštalácia

⚠ Zapamätajte si, že výrobca nie je zodpovedný za škody v prípade, ak nedodržíte pokyny v návode na použitie.

Body, ktoré je potrebné zvažovať pri opakovanej preprave chladničky

1. Vaša chladnička musí byť pred presunom prázdna a očistená.
2. Police, príslušenstvo, priehradky atď. vo vašej chladničke musia byť pred opätovným zabalením chladničky zalepené a zaistené voči otrasom.
3. Balenie musíte zaistiť hrubými páskami alebo silnými lanami a musíte dodržiavať bezpečnostné pokyny na balení.

Nezabudnite...

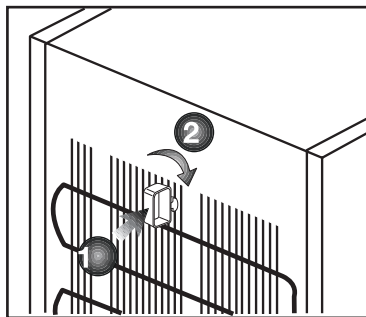
Každý recyklovaný materiál je nepostrádateľným zdrojom pre prírodu a národné zdroje.

Ak by ste chceli prispieť k recyklácii obalových materiálov, informácie môžete získať u ekologických organizácií alebo na miestnych úradoch.

Pred uvedením chladničky do prevádzky

Pred začatím používania vašej chladničky skontrolujte nasledovné:

1. Je interiér chladničky suchý a môže vzduch ľahko cirkulovať v zadnej časti?
2. Vyčistite interiér chladničky podľa odporúčania v časti „Údržba a čistenie“.
3. Chladničku pripojte do elektrickej zásuvky. Keď sa otvoria dvere



chladničky, zapne sa vnútorné svetlo.

4. Budete počuť zvuk pri zapnutí kompresora. Kvapalina a plyny utesnené v chladiacom systéme môžu vydávať nejaký zvuk, bez ohľadu na to, či kompresor je alebo nie je v prevádzke. Toto je celkom normálne.
5. Predné hrany chladničky môžu byť zohriate. To je normálne. Tieto časti sú vytvorené tak, aby boli zohriate, aby sa predišlo kondenzácii.
6. Z plastové klíny môžete namontovať tak, ako je to znázornené na obrázku. Plastové klince zaistia požadovanú vzdialenosť medzi chladničkou a stenou kvôli dostatočnej cirkulácii vzduchu. (Znázornený obrázok predstavuje len príklad a nezohoduje sa presne s vaším produktom.)
7. Interiér chladničky vyčistíte podľa odporúčania v časti „Údržba a čistenie“.

Elektrické pripojenie

Pripojte výrobok k uzemnenej zástrčke, ktorá je chránená poistkou príslušnej kapacity.

Dôležité:

- Pripojenie musí byť v zhode s národnými predpismi.
- Elektrická zásuvka musí byť po inštalácii ľahko prístupná.
- Určené napätie musí byť rovnaké ako napätie vo vašej elektrickej sieti.
- Predlžovacie káble a rozbočky sa nesmú používať na pripojenie zariadenia.

⚠ Poškodený elektrický kábel musí vymeniť kvalifikovaný elektrikár.

⚠ Zariadenie sa nesmie prevádzkovať dovtedy, pokiaľ nebude opravené! Hrozí nebezpečenstvo zásahu elektrickým prúdom!

Likvidácia obalu

Obalový materiál môže byť nebezpečný pre deti. Obalový materiál držte mimo dosahu detí alebo ho vyhodte podľa pokynov pre likvidáciu odpadu. Neodhadzujte ho spolu s normálnym domovým odpadom.

Balenie chladničky je vyrobené z recyklovateľných materiálov.

Likvidácia vašej starej chladničky

Vašu starú chladničku zlikvidujte ekologicky.

- O likvidácii vašej starej chladničky sa môžete poradiť s vašim autorizovaným predajcom alebo zberným miestom.

Pred likvidáciou vašej chladničky odrežte elektrickú zásuvku a ak sa na dverách nachádzajú nejaké zámky, znefunkčnite ich, aby ste nevystavili deti žiadnemu nebezpečenstvu.

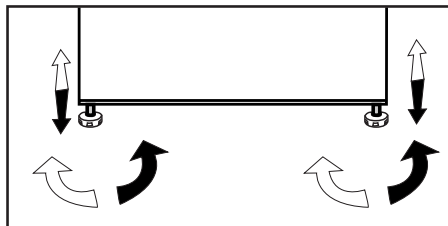
Umiestnenie a inštalácia

1. Chladničku nainštalujte na miesto, ktoré umožňuje ľahké použitie.
2. Chladničku udržiavajte mimo dosah zdrojov tepla, vlhkých miest a priameho slnečného svetla.
3. Kvôli dosiahnutiu účinnej prevádzky musí byť v okolí chladničky dostatočné vetranie. Ak bude chladnička umiestnená vo výklenku v stene, minimálna vzdialenosť od stropu musí byť 5 cm a od steny 5 cm. Ak je podlaha pokrytá kobercom, výrobok musí byť zdvihnutý do výšky 2,5 cm od podlahy.
4. Kvôli zabráneniu hádzaniu dajte chladničku na rovnú podlahu.

Nastavenie nôh

Ak je vaša chladnička nestabilná;

Chladničku môžete vyvážiť otáčaním predných nôh tak, ako je to znázornené na obrázku. Keď nohu otáčate v smere čiernej šípky, roh s príslušnou nohou sa znižuje; keď nohu otáčate v opačnom smere, poloha sa zvyšuje. Pomoc inej osoby miernym pridvihnutím chladničky celý proces uľahčí.



Výmena lampy osvetlenia

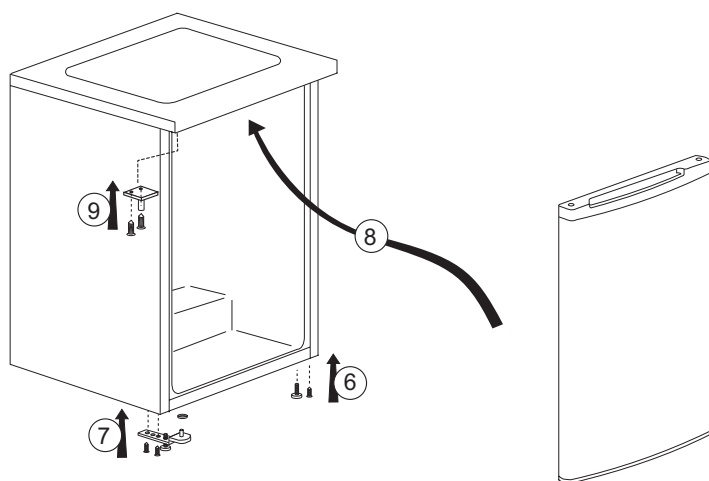
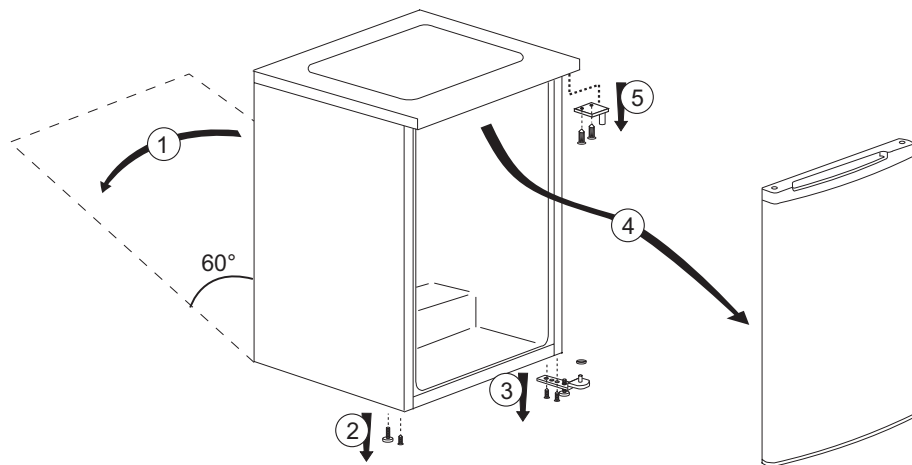
Ak chcete vymeniť lampu použitú na osvetlenie vašej chladničky, zavolajte do autorizovaného servisu.

Lampa(y) použité v tomto prístroji nie sú vhodné pre osvetlenie miestnosti domácnosti. Zamýšľaný účel tohto svietidla je pomôcť užívateľovi umiestniť potraviny do chladničky/mrazničky bezpečne a pohodlne.

Žiarovky použité v tomto spotrebiči musí vydržať extrémne fyzické podmienky, napr. teploty pod -20°C .

Obrátenie dverí

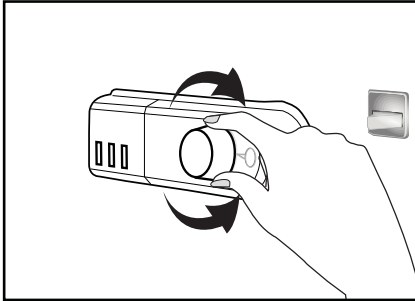
Postupujte podľa číselného poradia



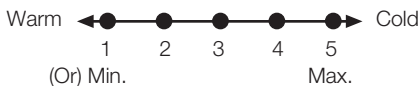
4 Príprava

- i** Vaša chladnička by mala byť umiestnená v najmenej 30 cm vzdialenosti od zdrojov tepla, ako sú horáky, rúry na pečenie, radiátory a kachle a najmenej v 5 cm vzdialenosti od elektrických rúr na pečenie a nemala by byť umiestnená na priamom slnku.
- i** Teplota prostredia v miestnosti, kde chladničku inštalujete, by mala byť aspoň 5°C. Prevádzka chladničky v chladnejšom prostredí sa neodporúča s ohľadom na jej účinnosť.
- i** Uistite sa, že je interiér vašej chladničky dôkladne vyčistený.
- i** Ak sa budú vedľa seba inštalovať dve chladničky, mala by byť medzi nimi vzdialenosť minimálne 2 cm.
- i** Pri prvom spustení vašej chladničky počas šiestich hodín dodržujte nasledujúce pokyny.
 - Dvere by ste nemali otvárať príliš často.
 - Chladnička musí byť počas tohto času prázdna.
 - Chladničku neodpájajte od siete. Ak dôjde k výpadku napájania, ktoré nemôžete ovplyvniť, pozrite si upozornenia v časti „Odporúčané riešenia problémov“.
- i** Originálny obal a penové materiály by ste si mali odložiť za účelom budúceho transportu a prenášania.

5 Používanie chladničky



Prevádzková teplota sa reguluje ovládaním teploty



1 = Najnižšie nastavenie chladenia (Najteplejšie nastavenie)
5 = Najvyššie nastavenie chladenia (Najchladnejšie nastavenie)

(alebo)

Min. = Najnižšie nastavenie chladenia (Najteplejšie nastavenie)

Max. = Najvyššie nastavenie chladenia (Najchladnejšie nastavenie)

Priemerná teplota vo vnútri chladničky by mala byť okolo +5°C.

Nastavenie zvol'te podľa požadovanej teploty.

Prevádzku vášho spotrebiča môžete zastaviť tak, že otočíte gombík termostatu do polohy „0“.

Uvedomte si, prosím, že v chladiacej oblasti budú odlišné teploty.

Najchladnejšia oblasť sa nachádza hneď nad priečinkom na zeleninu.

Teplota interiéru tiež závisí od teploty okolia, početnosti otvárania dverí a od množstva uložených potravín.

Pri okolitej teplote vyššej ako 30 °C odstráňte odkvapkávaciu tácku pre účinnejšie chladenie.

Časté otváranie dverí spôsobuje zvyšovanie vnútornej teploty.

Z tohto dôvodu sa odporúča dvere čím skôr opätovne zatvoriť.

Najchladnejšia oblasť sa nachádza hneď pod priečinkom na výrobu ľadu.

Pri vysokej vlhkosti sa vo vašej chladničke môže objaviť kondenzácia, ale nie je to porucha. Môžete ju poutierať suchou handrou podľa bezpečnostných pokynov. Namrazovanie, námraza a kondenzácia sú normálne javy pre priestor na ľad a nádobu na zber vody.

Rozmrazovanie spotrebiča

Nadmerná tvorba ľadu ovplyvní výkon chladenia spotrebiča.

Preto sa odporúča, aby ste spotrebič rozmrazovali aspoň dvakrát do roka alebo kedykoľvek, keď vytvorený ľad prekročí 7 mm.

Spotrebič rozmrazujte len vtedy, keď sa v ňom nachádza málo potravín alebo sa v ňom potraviny nenachádzajú.

Vyberte potraviny. Potraviny zabal'te do viacerých vrstiev papiera alebo prikrývok a uchovajte ich na studenom mieste.

Odpojte spotrebič alebo vypnite prerušovač okruhu, aby ste spustili proces rozmrazovania.

Zo spotrebiča vyberte príslušenstvo (ako policu, priečinok atď.) a použite vhodnú nádobu, aby ste zozbierali roztopenú vodu.

Použite špongiu alebo jemnú handričku, aby ste v prípade potreby odstránili roztopenú vodu v priečinkoch.

Počas rozmrazovania uchovajte dvere otvorené.

Pre rýchle rozmrazovanie umiestnite do spotrebiča nádobu s teplou vodou.

Na odstránenie ľadu nikdy nepoužívajte elektrické zariadenia, rozmrazovacie spreje alebo zašpicatené a ostré objekty, ako napríklad nože alebo vidličky.

Po dokončení rozmrazovania očistite vnútornú časť.

Opätovne pripojte spotrebič k sieti. Do priečinkov umiestnite mrazené potraviny a priečinky zasuňte do mrazničky.

Pred spustením procesu rozmrazovania vypnite kvôli vašej bezpečnosti prerušovač obvodu a spotrebič odpojte od napájania.

Počas rozmrazovania, by mal byť odkvapávací ventil v pozícii, pre zimný režim. Po rozmrazovaní môže byť presunutý do pozícii letného alebo zimného režimu, podľa potreby.

Chladenie

Uskladnenie potravín

Priestor chladničky je určený pre krátkodobé skladovanie čerstvých potravín a nápojov.

Mliečne produkty skladujte v chladničke v určených priečinkoch.

Fľašky sa môžu uskladniť v držiaku fľašiek alebo v polici na fľaše na dverách.

Surové mäso je najlepšie uchovať v polyetylénovom vrecku v priečinku na dne chladničky.

Pred umiestnením horúcich potravín a nápojov do chladničky ich nechajte vychladnúť na izbovú teplotu.

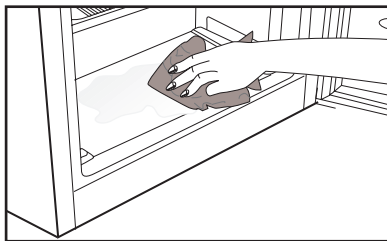
• Upozornenie

Koncentrovaný alkohol skladujte iba v postavenej nádobe, ktorá je pevne uzatvorená.

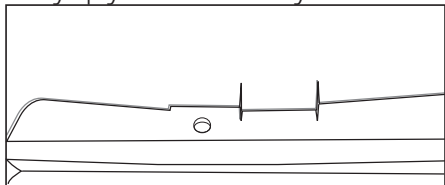
• Upozornenie

V spotrebiči neskladujte výbušné látky alebo nádoby s horľavými pohonnými plynmi (sprejová šľahačka, spreje atď.).

Hrozí nebezpečenstvo výbuchu.



Vyobrazený výbežok s uzatvorenou špičkou je súčasťou dizajnu a nemá žiadny vplyv na chladiaci systém.



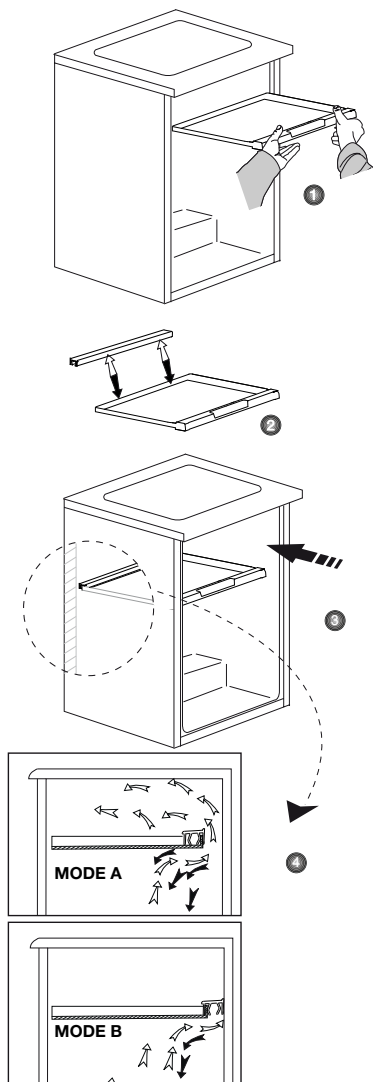
Odkvapkávací ventil by mal byť použitý spôsobom opísaným nižšie, aby ste dosiahli požadovanú teplotu priestoru v závislosti od teploty okolia, ako je zimný režim, pri nízkej teplote okolia a letný režim, pri vysokej teplote okolia.

LETNÝ REŽIM

(Keď je nevyhnutné znížiť teplotu priestoru)

ZIMNÝ REŽIM

(Keď je nevyhnutné zvýšiť teplotu priestoru.)



6 Údržba a čistenie

- ⚠ Na čistenie nikdy nepoužívajte benzín, benzén alebo obdobné prostriedky.
- ⚠ Odporúčame vám, aby ste zariadenie pred čistením odpojili od siete.
- ⚠ Na čistenie nikdy nepoužívajte žiadne ostré a drsné predmety, mydlo, domáce čistidlá, saponáty a voskové leštidlá.
- ⚠ Pri výrobkoch, ktoré nie sú typu Frost, sa na zadnej stene chladničky tvoria vodné kvapky a námraza až po šírku prsta. Nečistite to; nikdy na to nepoužívajte olej alebo podobné látky.
- ⚠ Na čistenie vonkajšieho povrchu výrobku používajte iba mierne vlhké tkaniny z mikrovlákien. Špongie a iné typy utierok môžu poškriabať povrch.
- ℹ Na čistenie skrine chladničky použite vlažnú vodu a vytrite ju do sucha.
- ℹ Pomocou vlhkej handry namočenej do roztoku jednej lyžičky sódy bikarbóny v pol litri vody očistíte vnútrajšok a vytrite ho do sucha.
- ⚠ Uistite sa, že do puzdra lampy, prípadne iných elektrických súčiastok, neprenikne voda.
- ⚠ Ak sa chladničku nechystáte používať dlhšie obdobie, odpojte napájací kábel, vyberte všetky potraviny, vyčistite ju a dvere nechajte pootvorené.
- ℹ Pravidelne kontrolujte, či je tesnenie dverí čisté a zbavené odrobiniek z potravín.
- ⚠ Ak chcete odstrániť priechinky vo dverách, vyberte celý ich obsah a potom jednoducho potlačte priechinok nahor zo základne.
- ⚠ Na čistenie vonkajších povrchov a chrómovaných dielov produktu nikdy nepoužívajte čistiace prostriedky ani vodu s obsahom chlóru. Chlór spôsobuje koróziu takýchto kovových povrchov.
- ⚠ Nikdy nepoužívajte ostré a drsné nástroje alebo mydlo, domáce čistiace prostriedky, čistiace prostriedky, benzín, benzén, vosk, atď., v opačnom prípade sa na plastových dieloch objavia škvrny a dôjde k ich deformácii. Na čistenie použite teplú vodu a mäkkú handričku a utrite ich do sucha.

Ochrana plastových povrchov

- ℹ Kvapalné oleje a vyprázané jedlá nedávajte do chladničky v otvorených nádobách, pretože poškodzujú plastové povrchy vašej chladničky. V prípade rozliatia alebo roztratia oleja na plastové povrchy okamžite vyčistite a opláchnite príslušnú časť povrchu teplou vodou.

7 Odporúčané riešenia problémov

Pred zavolaním servisu si pozrite tento zoznam. Môže vám to ušetriť čas aj peniaze. Tento zoznam obsahuje bežné sťažnosti, ktoré sa nevzťahujú na chybné spracovanie alebo využitie materiálu. Niektoré z tu popísaných funkcií nemusí váš produkt obsahovať.

Chladnička nefunguje.

- Je chladnička správne pripojená do siete? Zasuňte zásuvku do stenovej zástrčky.
- Nie je prepálená poistka, ku ktorej je pripojená chladnička, alebo hlavná poistka? Skontrolujte poistku.

Kondenzácia na bočnej stene priestoru chladničky (MULTIZÓNA, OVLÁDANIE CHLADU a FLEXI ZÓNA).

- Veľmi studené podmienky prostredia. Časté otváranie a zatváranie dverí. Veľmi vlhké podmienky prostredia. V chladničke sa nachádzajú potraviny obsahujúce kvapaliny v otvorených nádobách. Ponechanie pootvorených dverí. Prepnutie termostatu do chladnejšej polohy.
- Skrátenie doby otvorenia dverí alebo ich zriedkavejšie používanie.
- Prikrytie jedla v otvorených nádobách vhodným materiálom.
- Vlhkosť poutierajte suchou handrou a skontrolujte, či stále pretrváva.

Kompresor nie je v prevádzke

• Ochranná teplotná poistka kompresora sa vypáli počas náhleho výpadku napájania alebo pri vytažení a opätovnom zastrčení zásuvky, pretože tlak chladiva v chladničke ešte nie je vyvážený. Vaša chladnička začne pracovať po približne šiestich minútach. Ak po tomto čase chladnička nezačne fungovať, zavolajte servis.

- Chladnička je v rozmrazovacom cykle. Pre plne automatickú rozmrazovaciu chladničku je to normálne. Cyklus odmrazovania sa vykonáva pravidelne.
- Chladnička nie je pripojená do siete. Ubezpečte sa, že ste zástrčku správne vložili do zásuvky.
- Sú správne vykonané nastavenia teploty?
- Napájanie je možno prerušené.

Chladnička pracuje príliš často alebo príliš dlhý čas.

• Váš nový produkt môže byť širší ako predchádzajúci. To je úplne normálne. Veľké chladničky pracujú dlhší čas.

• Okolité teplota môže byť vysoká. To je úplne normálne.

• Chladnička mohla byť zapnutá len nedávno alebo mohlo byť do nej vložené jedlo. Kompletné vychladenie chladničky môže trvať o niekoľko hodín dlhšie.

• Do chladničky mohlo byť len nedávno vložené väčšie množstvo teplého jedla. Teplé jedlo spôsobuje dlhší chod chladničky, kým sa nedosiahne bezpečná teplota skladovania.

• Dvere mohli byť často otvárané alebo ponechané po dlhý čas v pootvorenom stave. Teplý vzduch, ktorý prenikol do chladničky, spôsobuje, že chladnička pracuje dlhší čas. Dvere otvárajte menej často.

• Oddelenie mrazničky alebo chladničky mohlo byť ponechané pootvorené. Skontrolujte, či sú dvere tesne zatvorené.

• Teplota v chladničke je nastavená na veľmi nízku hodnotu. Nastavte teplotu v chladničke na vyššiu a vyčkajte, kým je táto teplota dosiahnutá.

• Tesnenie dverí chladničky alebo mrazničky môže byť zanesené špinou, opotrebované, poškodené alebo nesprávne nasadené. Vyčistite alebo vymeňte tesnenie. Poškodené tesnenie spôsobuje, že chladnička pracuje dlhšiu dobu, aby udržala požadovanú teplotu.

Teplota mrazničky je veľmi nízka, zatiaľ čo teplota chladničky je dostatočná.

• Teplota v mrazničke je nastavená na veľmi nízku hodnotu. Nastavte teplotu v mrazničke na vyššiu a skontrolujte.

Teplota chladničky je veľmi nízka, zatiaľ čo teplota mrazničky je dostatočná.

• Teplota v chladničke je možno nastavená na veľmi nízku teplotu. Nastavte teplotu v chladničke na vyššiu a skontrolujte.

Jedlo uložené v spodných zásuvkách chladničky je zmrazené.

• Teplota v chladničke je možno nastavená na veľmi nízku teplotu. Nastavte teplotu v chladničke na vyššiu a skontrolujte.

Teplota v chladničke alebo mrazničke je príliš vysoká.

• Teplota v chladničke je možno nastavená na veľmi vysokú hodnotu. Nastavenia chladničky vplyvajú na teplotu v mrazničke. Zmeňte teplotu chladničky alebo mrazničky, pokiaľ sa tieto teploty nedostanú na adekvátnu úroveň.

• Dvere mohli byť často otvárané alebo ponechané po dlhý čas v pootvorenom stave - otvárajte ich menej často.

• Dvere ste možno nechali pootvorené - dvere úplne zatvorte.

• Do chladničky ste možno nedávno vložili väčšie množstvo teplého jedla. Počkajte, kým mraznička alebo chladnička dosiahnu požadovanú teplotu.

• Chladnička mohla byť pripojená do siete len nedávno. Úplné ochladenie chladničky nejaký čas trvá.

Prevádzkový hluk sa zvyšuje, keď chladnička pracuje.

• Prevádzkový výkon chladničky sa môže meniť podľa zmeny teploty okolia. Je to úplne normálne a neznamená to poruchu.

Otrasy alebo hluk.

• Podlaha nie je rovná alebo nie je pevná. Chladnička sa trasie pri pomalom pohybe. Skontrolujte, či podlaha dokáže uniesť hmotnosť chladničky a či je rovná.

• Hluk môže byť spôsobený predmetmi položenými na chladničke. Odstráňte predmety na vrchu chladničky.

Z chladničky vychádzajú zvuky ako rozliatie alebo rozstrekovanie kvapaliny.

• Tok kvapaliny a plynu sa uskutočňuje podľa prevádzkových princípov. Je to úplne normálne a neznamená to poruchu.

Chladnička vydáva zvuky ako fúkanie vetra.

• Na ochladenie chladničky sa používajú ventilátory. Je to úplne normálne a neznamená to poruchu.

Kondenzácia na vnútorných stenách chladničky.

• Horúce a vlhké počasie zvyšuje namrazovanie a kondenzáciu. Je to úplne normálne a neznamená to poruchu.

• Dvere ste možno nechali pootvorené - ubezpečte sa, že ste dvere úplne zatvorili.

• Dvere mohli byť často otvárané alebo ponechané po dlhý čas v pootvorenom stave - otvárajte ich menej často.

Na vonkajšej strane chladničky alebo medzi dverami sa tvorí vlhkosť.

• Vo vzduchu sa môže nachádzať vlhkosť - je to celkom bežné pri vlhkom počasí. Pri nižšej vlhkosti sa kondenzácia stratí.

Vo vnútri chladničky je nepríjemný zápach.

• Musíte vyčistiť interiér chladničky. Interiér chladničky vyčistíte špongiou, vlažnou vodou alebo perlivou vodou.

• Zápach môžu spôsobovať niektoré nádoby alebo obalové materiály. Použite odlišnú nádobu alebo odlišnú značku baliaceho materiálu.

Dvere sa nezatvárajú.

• Obaly potravín môžu brániť zatvoreniu dverí. Odstráňte obaly, ktoré bránia v ceste dverám.

• Chladnička nie je na podlahe v úplne zvislej polohe a pri miernom pohybe sa kolíše. Nastavte elevačné skrutky.

• Podlaha nie je rovná alebo dostatočne pevná. Skontrolujte, či je podlaha rovná a či dokáže uniesť hmotnosť chladničky.

Špeciálne priehradky sú zaseknuté.

• Jedlo sa môže dotýkať vrchnej strany zásuvky. Znovu usporiadajte jedlo v zásuvke.

Ak je povrch zariadenia horúci

• Vysoké teploty je možné spozorovať v priestore medzi dverami, na bočných paneloch a na zadnom rošte, počas prevádzky zariadenia. Je to normálny stav, ktorý nevyžaduje údržbu!

Prosimo, da najprej preberete navodila za uporabo!

Dragi kupec,

upamo, da bo naprava, ki je bila izdelana v modernih obratih in preizkušena z natančnimi postopki kakovosti, zagotovila učinkovito delovanje.




Zato priporočamo, da pred uporabo pazljivo preberete celotna navodila za uporabo naprave in jih hranite v bližini, saj jih boste morda potrebovali v prihodnje.

Priročnik

- Priročnik vam bo pomagal pri hitri in varni uporabi naprave.
 - Priročnik preberite preden napravo namestite in uporabite.
 - Sledite navodilom, predvsem varnostnim.
 - Priročnik hranite na lahko dosegljivem mestu, saj ga boste morda kasneje potrebovali.
 - Poleg tega preberite tudi ostale dokumente, ki so priloženi napravi.
- Prosimo upoštevajte, da je priročnik lahko veljaven tudi za druge modele.

Simboli in njihov opis

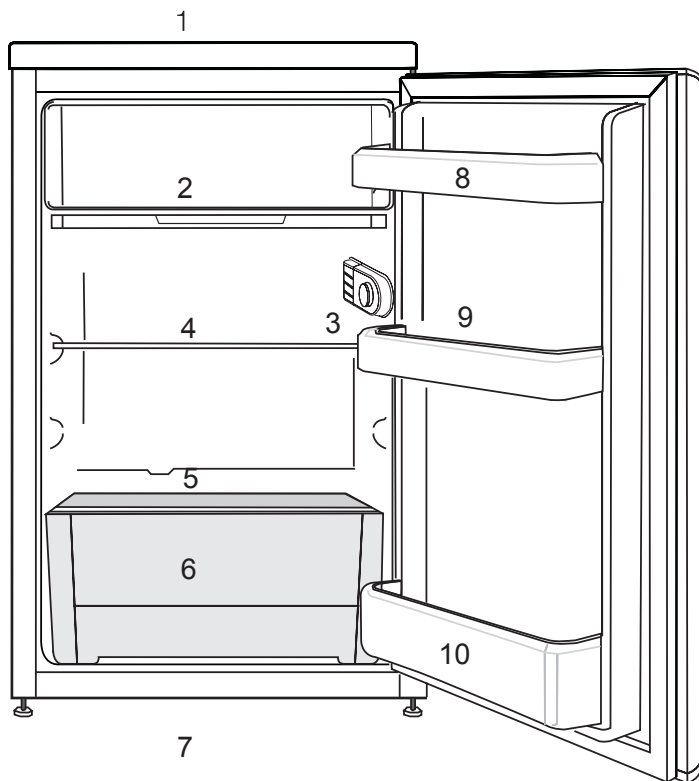
Navodila za uporabo vsebujejo naslednje simbole:

-  Pomembne informacije in koristni nasveti za uporabo.
-  Opozorila pred nevarnostmi za življenje in lastnino.
-  Opozorila pred električno napetostjo.

VSEBINA

1 Vaš hladilnik	4	4 Priprava	14
2 Pomembna varnostna opozorila	5	5 Uporaba hladilnika	15
Namen uporabe	5	Odtajanje naprave.....	15
Za naprave z dispenzerjem za vodo;..	8	Hlajenje	16
Varnost otrok	8	Shranjevanje hrane	16
Skladnost z direktivo OEEQ in odstranjevanjem odpadnih izdelkov:	8	6 Vzdrževanje in čiščenje	18
Skladnost z direktivo RoHS:	9	Zaščita plastičnih površin	18
Informacije o embalaži	9	7 Priporočljive rešitve za težave	19
Opozorilo HC	9		
Varčevanje z energijo.....	9		
3 Namestitev	10		
Napotki, ki jih je treba upoštevati ob ponovnem prevozu hladilnika	10		
Pred uporabo hladilnika	10		
Električna povezava	10		
Odstranjevanje embalaže	11		
Odstranjevanje starega hladilnika....	11		
Namestitev in montaža	11		
Nastavitev nogic	12		
Zamenjava žarnice	12		
Obrniti vrata.....	13		

1 Vaš hladilnik



- | | |
|------------------------------------|------------------------------|
| 1. Zgornji okrov | 6. Predal za sveža živila |
| 2. Pladenj za odtekanje | 7. Nastavljivi sprednji nogi |
| 3. Notranja luč in gumb termostata | 8. Vratne police |
| 4. Premična polica | 9. Pladenj za jajca |
| 5. Pokrov predela za sveža živila | 10. Polica za steklenice |




i Slike v navodilih za uporabo so shematske in morda ne ustrezajo vašemu proizvodu. Če naprava, ki ste jo kupili, ne vsebuje določenih delov, so veljavni za druge modele.

2 Pomembna varnostna opozorila

Prosimo, preglejte naslednje informacije. Če ne boste upoštevali teh informacij, lahko pride do telesnih poškodb ali poškodb materiala. V nasprotnem primeru garancija in zanesljivost nista veljavni.

Originalne nadomestne dele zagotavljamo 10 let po datumu nakupa.

Namen uporabe

	OPOZORILO : Odprtine za zračenje, ohišje naprave ali vgrajeni hladilni elementi naj bodo vedno nezastri.
	OPOZORILO : Za hitrejše odmrzovanje ne uporabljajte mehanskih naprav, razen takih, ki jih priporoča proizvajalec.
	OPOZORILO : Ne poškodujte tokokroga hladilnega sredstva.
	OPOZORILO : V notranjosti razdelka za shranjevanje živil aparata ne uporabljajte električnih naprav, razen takih, ki jih priporoča proizvajalec.

Ta naprava je namenjena za uporabo v gospodinjstvu in podobnih okoljih, kot so:

- kuhinje za osebje v trgovinah, pisarnah in drugih delovnih okoljih;

- hoteli, moteli in druga stanovanjska okolja, kjer jo lahko uporabljajo gostje;

- okolja, kjer ponujajo nočitve z zajtrkom.

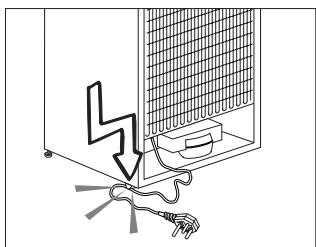
- pri cateringu in v podobnih okoljih, kjer ne gre za neposredno prodajo.

Splošna varnost

- Ko želite proizvod odstraniti/odvreči, Vam priporočamo, da se posvetujete s pooblaščen servisno službo in organi, da pridobite potrebne informacije.
- Pri morebitnih vprašanjih ali težavah s hladilnikom se posvetujte s pooblaščen servisno službo. Brez sporočila pooblaščen servisni službi ne posegajte v hladilnik sami ali s tujo pomočjo.
- Za naprave z zamrzovalnim delom; Sladoleda in ledenih kock ne jejte takoj, ko jih vzamete iz zamrzovalnega dela! (Povzročijo lahko ozeblino v ustih.)
- Za naprave z zamrzovalnim delom; V zamrzovalnem delu ne shranjujte tekočin v steklenicah ali pločevinkah. V nasprotnem primeru lahko počijo.
- Zamrznjenih živil se ne dotikajte z rokami, saj lahko primrznejo.
- Pred čiščenjem ali odtajanjem hladilnik izključite iz električnega omrežja.

- Hladilnika nikoli ne čistite in odtajajte s paro ali parnimi čistilnimi sredstvi. Para lahko pride v stik z električnimi deli in povzroči kratki stik ali električni udar.
- Delov hladilnika kot so vrata nikoli ne uporabljajte kot opornike ali stopnico.
- V hladilniku ne uporabljajte električnih naprav.
- Delov, kjer hladilno sredstvo kroži, ne poškodujte z napravami za vrтанje ali rezanje. Če se plinski kanali izparilnika, podaljški cevi ali površinske prevleke prebodejo, lahko hladilno sredstvo prodre in povzroči draženje kože ali poškodbe oči.
- Ne pokrivajte ali blokirajte zračnih odprtín na hladilniku z nobenim materialom.
- Električne naprave lahko popravljajo samo pooblašćene osebe. Popravila, ki jih izvajajo nepooblašćene osebe, povzročijo nevarnost za uporabnika.
- V primeru kakršnekoli napake ali pred vzdrževalnimi deli in popravili obvezno izključite električno napajanje hladilnika tako, da izključite zadevno varovalko ali iztaknete vtič naprave.
- Ko izklopíte vtič, ne vlecíte za kabel.
- Zagotovíte, da so pijaće z visoko vsebnostjo alkohola varno shranjene, zaprte s pokrovom in v pokonćnem polořaju.
- V hladilniku nikoli ne shranjujíte razpršilcev, ki vsebujejo vnetljive in eksplozivne substance.
- Za pospeševanje postopka odtajanja ne uporabljajte mehanskih naprav ali drugih pripomoćkov, razen tistih, ki jih priporoća proizvajalec.
- Naprave naj ne uporabljajo osebe s fizićnimi, senzornimi ali duševnimi motnjami ali osebe, ki nimajo potrebnega znanja oziroma izkušenj (vključno z otroki), razen če jih nadzira oseba, ki je odgovorna za njihovo varnost ali oseba, ki jim bo ustrezno svetovala glede uporabe naprave.
- Ne uporabljajte poškodovanega hladilnika. Če imate kakršne koli pomisleke, se obrnite na servisno službo.
- Elektrićna varnost hladilnika je zagotovljena, le če ozemljitveni sistem v hiši ustreza standardom.
- Izpostavljanje proizvoda deřju, snegu, soncu ali vetru predstavlja elektrićno nevarnost.
- Če je napetostni kabel poškodovan, se obrnite na pooblašćeno servisno službo, da se izognete nevarnostim.
- Hladilnika med montažo nikoli ne vključíte v vtićnico. V nasprotnem primeru obstaja nevarnost smrti ali resne poškodbe.
- Hladilnik je namenjen samo shranjevanju živil. Ne uporabljajte ga v druge namene.

- Etiketa s tehničnimi specifikacijami se nahaja na levi steni znotraj hladilnika.
- Hladilnika ne priključujte na sisteme varčevanja električne energije, saj ga lahko poškodujejo.
- Če je na hladilniku modra lučka, ne glejte vanjo z golim očesom ali skozi optične naprave dlje časa.
- Pri hladilnikih z ročnim upravljanjem, počakajte vsaj 5 minut, preden ga po električnem izpadu ponovno priključite.
- Če napravo dobi nov lastnik, mu izročite tudi navodila za uporabo.
- Med prenašanjem hladilnika ne poškodujte napetostnega kabla. Upogibanje kabla lahko povzroči požar. Na napetostni kabel nikoli ne postavljajte težkih predmetov. Ko napravo priklapljate, se ne dotikajte vtiča z mokrimi rokami.



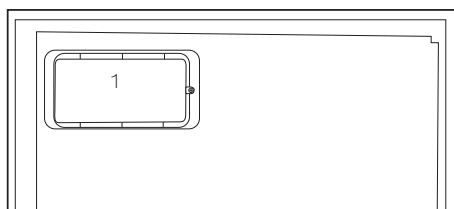
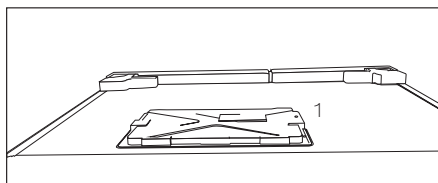
- Hladilnika ne priključujte v razrahljano vtičnico.
- Iz varnostnih razlogov na notranjih ali zunanjih delih naprave ne škropite vode.
- V bližini hladilnika ne pršite vnetljivih plinov, kot je propan,

saj obstaja nevarnost požara ali eksplozije.

- Na hladilnik nikoli ne postavljajte posod z vodo, saj to lahko povzroči električni udar ali požar.
- Hladilnika ne preobremenjujte s prekomernimi količinami živil. Če je naprava prenapolnjena, lahko živila med odpiranjem vrat hladilnika padejo dol in vas poškodujejo ali povzročijo škodo na hladilniku. Na hladilnik nikoli ne postavljajte predmetov, saj lahko med odpiranjem ali zapiranjem vrat hladilnika padejo dol.
- Cepiv, zdravil, občutljivih na toploto, znanstvenih materialov itd. ne shranjujte v hladilnik, saj zahtevajo določeno temperaturo.
- Če hladilnika ne boste uporabljali dlje časa, ga izklopite. Težave v napetostnem kablu namreč lahko povzročijo požar.
- Če nastavljive noge niso dobro nameščene na tleh, še hladilnik lahko premika. Če nastavljive noge dobro namestite na tla, lahko preprečite premikanje hladilnika.
- Med prenašanjem hladilnika ne držite za ročaje na vratih, saj jih lahko odtrgate.
- Če napravo namestite zraven drugega hladilnika ali zamrzovalnika, naj bo razdalja med napravami vsaj 8 cm. V

nasprotnem primeru se lahko na sosednjih stenah naprav pojavi vlaga.

- Izdelka ne uporabljajte, če je področje na vrhu ali na zadnji strani izdelka, ki vsebuje elektronska tiskana vezja, odprto (pokrov elektronskega tiskanega vezja) (1).



Za naprave z dispenzerjem za vodo;

- Tlak vstopne hladne vode ne sme presegati 6,2 bar (90 psi). Če tlak vstopne vode presega 5,5 bar (80 psi), uporabite ventil za omejevanje tlaka v vodovodnem tokokrogu. Če ne veste, kako izmeriti vodni tlak, poprosite inštalaterja za vodovod.
- Če je v vaši inštalaciji prisotno tveganje nastanka hidravličnega udara, vedno uporabite opremo za preprečevanje hidravličnega udara. Da preverite, da v

vaši inštalaciji ni tveganja za pojav hidravličnega udara, se posvetujte z inštalaterjem za vodovod.

- Ne nameščajte na vod s toplo vodo. Izvedite potrebne ukrepe za preprečevanje zamrznitve cevi. Območje temperature vode za delovanje naj bo med najmanj 0,6°C (33°F) in največ 38°C (100°F).
- Uporabljajte samo pitno vodo.

Varnost otrok

- Če imajo vrata ključavnico, jo hranite izven dosega otrok.
- Otroke je treba nadzirati, da se ne igrajo z napravo.

Skladnost z direktivo OEE0 in odstranjevanjem odpadnih izdelkov:



Izdelek je v skladu z direktivo EU OEE0 (2012/19/EU). Izdelek vsebuje simbol za razvrstitev odpadne električne in elektronske opreme (OEE0).

Izdelek je bil izdelan z visokokakovostnimi sestavnimi deli in materiali, ki jih je mogoče ponovno uporabiti in so primerni za recikliranje. Odsluženega odpadnega izdelka ne odlagajte z običajnimi gospodinjstvi in drugimi odpadki. Odnosite ga na center za zbiranje in recikliranje električne in elektronske opreme. Za informacije o teh

centrih za zbiranje se obrnite na lokalne oblasti.

Skladnost z direktivo RoHS:

Izdelek, ki ste ga kupili, je v skladu z direktivo EU RoHS (2011/65/EU). Ne vsebuje škodljivih in prepovedanih materialov, ki so navedeni v direktivi.

Informacije o embalaži

Embalažni material izdelka je izdelan iz materiala, ki ga je mogoče reciklirati, v skladu z našimi nacionalnimi okoljskimi predpisi. Embalažnega materiala ne odlagajte skupaj z gospodinjskimi ali drugimi odpadki. Odnosite ga na zbirna mesta za embalažni material, ki so jih določile lokalne oblasti.

Opozorilo HC

Če hladilni sistem naprave vsebuje R600a:

Ta plin je vnetljiv. Zato pazite, da med uporabo in transportom ne poškodujete hladilnega sistema in cevi. V primeru poškodbe, naj proizvod ne bo v bližini potencialnih virov ognja, ob katerih se lahko vname in prezračite prostor, v katerem je naprava.

To opozorilo ne velja, če hladilni sistem vaše naprave vsebuje R134a.

Vrsta plina, ki ga vsebuje naprava, je navedena na tipski plošči na levi steni znotraj hladilnika.

Naprave nikoli ne sežgite, da bi se je znebili.

Varčevanje z energijo

- Vrat hladilnika ne puščajte odprtih dalj časa.
- V hladilniku ne shranjujte toplih živil ali pijač.
- Hladilnika ne napolnite preobilno, saj s tem preprečite kroženje zraka.
- Hladilnika ne postavljajte na neposredno sočno svetlobo ali v bližino naprav, ki oddajajo toploto, kot so pečice, pomivalni stroji ali radiatorji.
- Živila shranjujte v zaprtih posodah.
- Za naprave z zamrzovalnim delom; v napravo lahko shranite največjo količino živil, če odstranite polico ali predal zamrzovalnika. Vrednost porabe energije se je določila, ko se je odstranila polica ali predal zamrzovalnika in je bila naprava napolnjena z največjo količino živil. Uporaba police ali predala glede na oblike in velikost živil, ki jih želite shraniti, ne predstavlja nevarnosti.
- Odtajanje zamrznjenih živil v hladilnem delu, bo privarčevalo energijo in ohranilo kakovost živil.

3 Namestitev

⚠ Proizvajalec ne bo odgovarjal, če ne boste upoštevali informacij v navodilih za uporabo.

Napotki, ki jih je treba upoštevati ob ponovnem prevozu hladilnika

1. Hladilnik morate izprazniti in očistiti pred vsakim prevozom.
2. Police, pripomočke, predale za sveža živila itd. v hladilniku pred ponovnim pakiranjem varno pritrdite z lepilnim trakom, da jih zaščitite pred sunki.
3. Embalažo pričvrstite z debelimi trakovi in močnimi vrvmi ter sledite navodilom za prevoz natisnjenih na embalaži.

Prosimo, ne pozabite ...

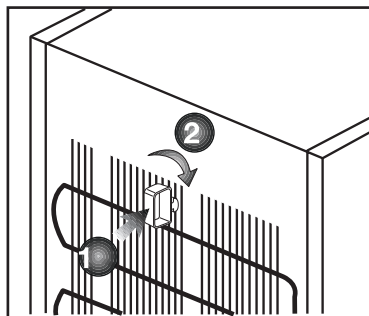
Vsak recikliran material je nujen vir za naravo in nacionalne vire.

Če želite sodelovati pri recikliranju embalažnega materiala, se za nadaljnje informacije obrnite na okoljske organe ali lokalne oblasti.

Pred uporabo hladilnika

Preden pričnete uporabljati hladilnik, preverite naslednje:

1. Ali je notranjost hladilnika suha in lahko zrak v zadnjem delu prosto kroži?
2. Prosimo, namestite 2 plastična klina, kot kaže slika. Plastična klina zagotovita potrebno razdaljo med hladilnikom in steno za neovirano kroženje zraka. (Slika je samo primer in se ne sklada popolnoma z vašo napravo.)



3. Notranjost hladilnika očistite kot je priporočeno v poglavju »Vzdrževanje in čiščenje«.
4. Hladilnik priključite v vtičnico električnega omrežja. Ko se vrata hladilnika odprejo, zasveti notranja luč hladilnega dela.
5. Ko se vklopi kompresor, boste zaslišali hrup. Tekočina in plini v hladilnem sistemu običajno lahko povzročijo hrup, tudi kadar kompresor ne deluje.
6. Sprednji robovi hladilnika so lahko topli na dotik. To je običajno. Te površine so oblikovane, tako da so tople, kar preprečuje kondenzacijo.

Električna povezava

Napravo priključite v ozemljeno vtičnico, ki je zaščitena z varovalko ustrezne zmogljivosti.

Pomembno;

- Priključitev mora ustrezati nacionalnim predpisom.
- Vtič napajalnega kabla naj bo po namestitvi lahko dostopen.
- Določena napetost mora ustrezati omrežni napetosti.

- Za priključitev ne uporabljajte podaljševalnih kablov ali večpotnih vtičev.
- ⚠ Poškodovan napajalni kabel lahko zamenja le usposobljen električar.
- ⚠ Naprave ne uporabljajte preden ni popravljena! Obstaja nevarnost električnega udara!

Odstranjevanje embalaže

Embalažni material je lahko nevaren za otroke. Embalažni material hranite izven dosega otrok ali ga odstranite v skladu z navodili za odstranjevanje odpadkov. Ne odstranite ga z običajnimi gospodinjskimi odpadki.

Embalaža hladilnika je izdelana iz materiala primernega za recikliranje.

Odstranjevanje starega hladilnika

Star hladilnik odstranite okolju prijazno.

- Glede odstranjevanja hladilnika se posvetujte s pooblaščenim prodajalcem ali centrom za zbiranje odpadkov v vaši občini.

Preden odstranite hladilnik, izklopite električni vtič in onemogočite morebitne ključavnice na vratih, da zaščitite otroke pred nevarnostmi.

Namestitev in montaža

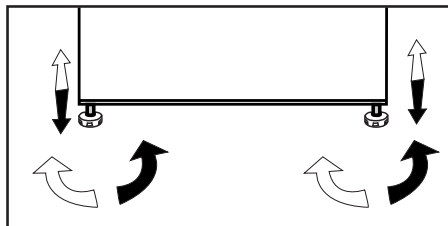
⚠ Če vhodna vrata sobe, kjer boste namestili hladilnik niso dovolj široka, da bi hladilnik lahko spravili skozi, pokličite pooblaščen servisno službo, da bodo odstranili vrata hladilnika in ga bočno spravite skozi vrata.

1. Namestite hladilnik na mesto, ki bo omogočalo preprosto uporabo.
2. Hladilnik naj ne bo v bližini toplotnih virov, vlažnih prostorov ali neposredne sončne svetlobe.
3. Za učinkovito delovanje mora biti prostor okrog hladilnika ustrezno prezračen. Če bo hladilnik nameščen v vdolbino v steni, mora biti najmanj 5 cm razmika od stropa in najmanj 5 cm razmika od stene. Če so tla pokrita s preprogo, mora biti proizvod 2,5 cm nad tlemi.
4. Da bi preprečili tresenje, namestite hladilnik na ravno talno površino.

Nastavitev nogic

Če vaš hladilnik ni izravnán;

Hladilnik lahko izravnate tako, da sprednje noge zavrtite, kot kaže slika. Kot, kjer je noga, je spuščén, če obrnete v smeri črne puščice in dvignjen, če obrnete v nasprotno smer. Olajšajte si delo in prosite za pomoč drugo osebo, ki naj rahlo privzdigne hladilnik.



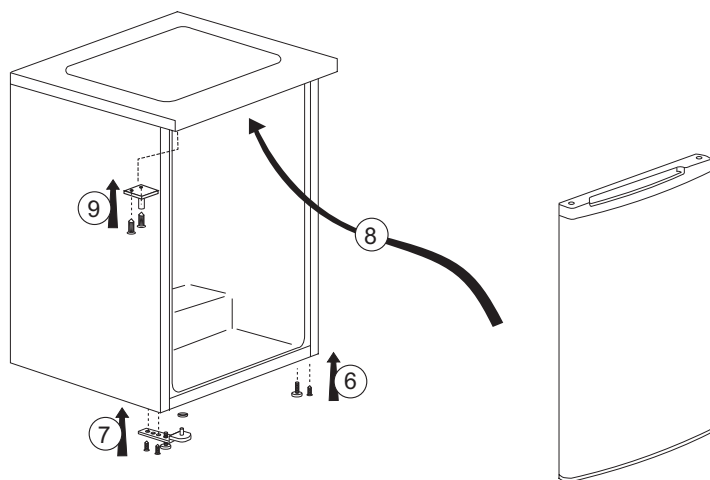
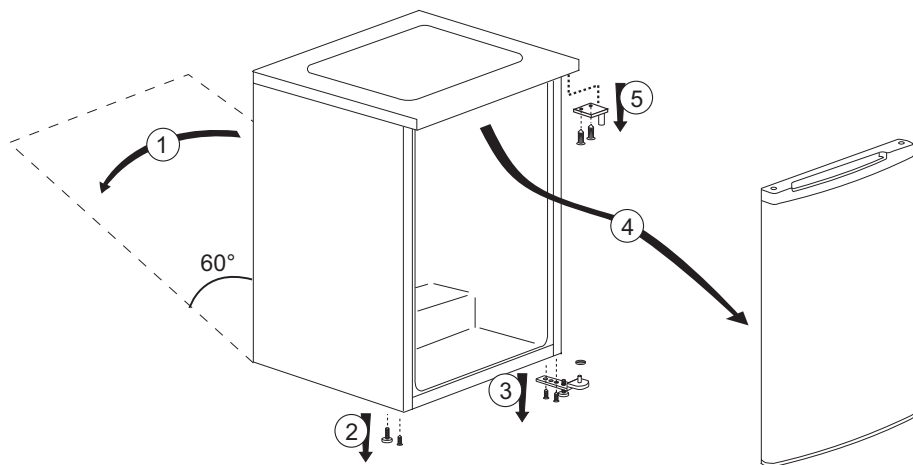
Zamenjava žarnice

Zamenjavo žarnice, ki se uporablja za osvetlitev hladilnika, naročite na pooblaščenem servisu.

Lučka, uporabljena v tej napravi, ni primerna za razsvetljavo prostorov v gospodinjstvu. Namembnost te lučke je pomagati uporabniku, da lahko daje živila v hladilnik / zamrzovalnik navaren in udoben način. Luči, uporabljene v tej napravi, morajo prenesti ekstremne fizične pogoje, kot so temperature pod -20°C .

Obrniti vrata

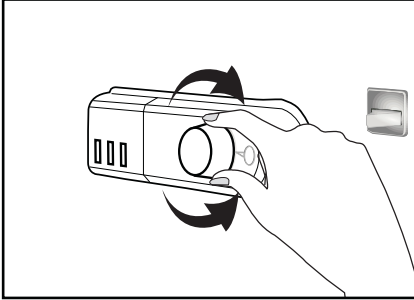
Sledite zaporedju



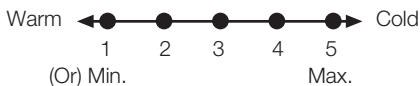
4 Priprava

- i** Hladilnik morate namestiti vsaj 30 cm od virov toplote kot so kuhalne plošče, pečice, glavni grelci ali štedilniki in vsaj 5 cm od električnih pečic, prav tako ga ne postavljajte na neposredno sončno svetlobo.
- i** Temperatura prostora kjer boste namestili hladilnik naj bo vsaj 5°C. Delovanje hladilnika v hladnejših pogojih ni priporočljivo, saj vpliva na njegovo učinkovitost.
- i** Prepričajte se, da je notranjost hladilnika popolnoma čista.
- i** Če bosta dva hladilnika nameščena drug ob drugem, naj bo vmes vsaj 2 cm razmika.
- i** Pri prvi uporabi hladilnika upoštevajte naslednja navodila med prvimi šestimi urami delovanja.
 - Izognite se pogostemu odpiranju vrat.
 - Delovati mora prazen, brez živil.
 - Hladilnika ne izklopite. Če se pojavi nenadzorovan izpad elektrike, upoštevajte opozorila v poglavju »Priporočljive rešitve za težave«.
- i** Originalno embalažo in penasti material shranite za prihodnji prevoz ali premikanje.

5 Uporaba hladilnika



Delovno temperaturo uravnivate z nadzorom za temperaturo.



1 = Najnižja nastavev hlajenja (Najtoplejša nastavev)

5 = Najvišja nastavev hlajenja (Najhladnejša nastavev)

(ali)

Min. = Najnižja nastavev hlajenja (Najtoplejša nastavev)

Maks. = Najvišja nastavev hlajenja (Najhladnejša nastavev)

Povprečna temperatura znotraj hladilnika naj bi bila okoli +5 °C.

Prosimo izberite nastavev, glede na želeno temperaturo.

Delovanje naprave lahko ustavite tako, da gumb termostata zavrtite v položaj "0".

Upoštevajte, da bodo v hladilnih območjih različne temperature.

Najhladnejše območje je takoj nad predelom za zelenjavo.

Notranja temperatura je odvisna tudi od temperature prostora, pogostosti odpiranja vrat in količine shranjenih živil.

Pri temperaturi okolice, višji od 30 °C, za boljše hlajenje odstranite zbiralni pladenj.

Pogosto odpiranje vrat povzroči naraščanje notranje temperature.

Zaradi tega je priporočljivo, da vrata takoj po uporabi zaprete.

Najhladnejše območje je takoj pod predelom za izdelavo ledu.

Ob visoki vlagi se lahko na hladilniku pojavi kondenzacija; to ni okvara. Lahko jo obrišete s suho krpo, kot je navedeno v varnostnih navodilih. Zaledentitev, zmrzal in kondenzacija so običajni pojavi v predelu za led in zbiralniku za odtok vode.

Odtajanje naprave

Prekomerno nabiranje ledu bo vplivalo na učinkovitost hlajenja vaše naprave.

Zaradi tega vam priporočamo, da napravo odtalite vsaj dvakrat letno ali vsakič, ko nabrani led preseže 7 mm.

Napravo odtalite samo, ko je v njej malo hrane ali pa je prazna.

Odstranite živila. Živila ovijte v več plasti papirja ali odejo in jih shranite v hladen prostor.

Izključite napravo ali izklopite prekinjevalec, da se prične postopek odtajanja.

Iz naprave odstranite opremo (kot so police, predali, itd.) in uporabite primerno posodo za zbiranje odtajane vode.

Za odstranjevanje odtajane vode v predelih lahko po potrebi uporabite gobo ali mehko krpo.

Med odtajanjem naj bodo vrata odprta.

Za hitrejšo odtajanje lahko v napravo postavite posode s toplo vodo.

Za odstranjevanje ledu nikoli ne uporabite električnih naprav, razpršilcev za odtajanje ali šilastih ali ostrih predmetov, kot so noži ali vilice.

Po odtajanju očistite notranjost.

Ponovno priključite napravo na napetost. Zamrznjena živila postavite v predale in jih pomaknite v zamrzovalnik.

Preden pričnete z odtajanjem, iz varnostnih razlogov izklopite prekinjevalec in izključite napravo.

Med odtajanjem je treba namestiti blažilni pladenj za izhlapevanje kot v zimskem načinu. Po odtajanju pa ga glede na potrebe lahko namestite v poletni ali zimski način.

Hlajenje

Shranjevanje hrane

Hladilni del je namenjen shranjevanju svežih živil in pijač za kratek čas.

Mlečne izdelke hranite v za to namenjen predel v hladilniku.

Steklenice lahko shranite v nosilec steklenic ali na polico za steklenice na vratih.

Surovo meso je najboljšo shraniti v polietilenski vreči v predelu na skrajnem dnu hladilnika.

Počakajte, da se vroča živila in pijače ohladijo na sobno temperaturo, preden jih postavite v hladilnik.

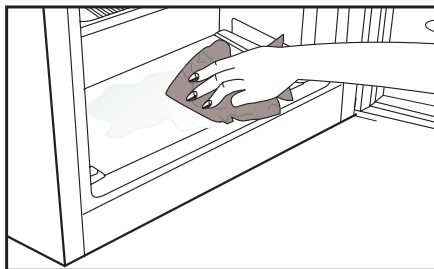
• Pozor

Koncentriran alkohol shranjujte v posodi v navpičnem položaju, testno zaprtega.

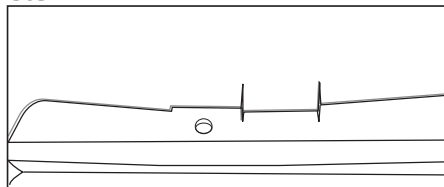
• Pozor

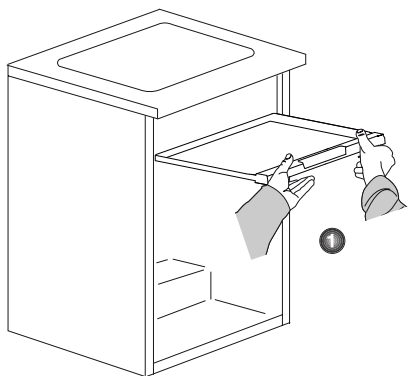
V napravi ne shranjujte eksplozivnih substanc ali posod z vnetljivimi pogonskimi gorivi (konzervirana krema, razpršilci, itd.).

Obstaja nevarnost eksplozije.



Prikazani odmik z zaprtim vrhom je del oblike in ne vpliva na hladilni sistem.

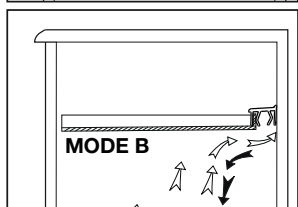
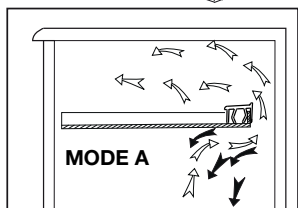
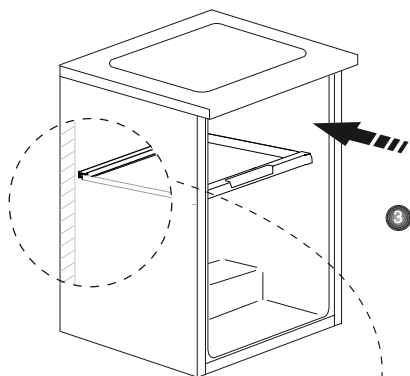
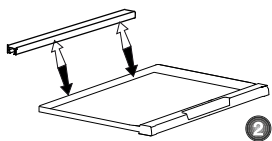




Blažilni pladenj za izhlapevanje uporabljajte kot je opisano spodaj za vzdrževanje želene temperature predela glede na temperaturo prostora, kot je zimski način za hladne temperature prostora in poletni način za vroče temperature prostora.

POLETNI NAČIN
(Ko so potrebne hladnejše temperature predela.)

ZIMSKI NAČIN
(Ko so potrebne toplejše temperature predela.)



6 Vzdrževanje in čiščenje

- ⚠ Pri čiščenju nikoli ne uporabljajte bencina, benzena ali podobnih snovi.
- ⚠ Priporočamo, da napravo pred čiščenjem izključite iz električnega omrežja.
- ⓘ Za čiščenje ne uporabljajte ostrih abrazivnih predmetov, mila, gospodinjskih čistil, čistilnih sredstev in loščila.
- ⓘ Pri hladilnikih brez tehnologije No Frost se na zadnji notranji steni hladilnega dela lahko pojavijo vodne kaplje ali plast ledu, debeline do 2 cm. Hladilnega dela ne čistite; nikoli ne uporabljajte olja ali podobnih sredstev.
- ⓘ Za čiščenje zunanje površine izdelka uporabite samo rahlo vlažno krpo iz mikrovlaken. Gobice in druge vrste krp za čiščenje lahko opraskajo površino.
- ⓘ Omarico hladilnika očistite z mlačno vodo in jo do suhega obrišite.
- ⓘ Za čiščenje notranjosti uporabite izžeto krpo, ki ste jo namočili v raztopino ene čajne žličke sode bikarbonata in 500 ml vode ter nato do suhega obrišite.
- ⚠ Preprečite, da bi ohišje luči in ostali električni predmeti prišli v stik z vodo.
- ⚠ Če hladilnika dalj časa ne boste uporabljali, izključite električni kabel, odstranite vsa živila, ga očistite in pustite vrata priprta.
- ⓘ Preverite, da so tesnila na vratih čista in ne vsebujejo delcev živil.
- ⓘ Če želite odstraniti vratne police, jih izpraznite in jih enostavno potisnite navzgor od podlage.
- ⓘ Za čiščenje zunanjih površin in kromiranih delov izdelka ne uporabljajte čistilnih sredstev ali klorirane vode. Klor povzroči korozijo na kovinskih površinah.
- ⓘ Ne uporabljajte ostrih in abrazivnih orodij ali mil, gospodinjskih čistilnih sredstev, detergentov, bencina, benzena, voskov itd., da se s plastičnih delov ne odstranijo napisi in da ne pride do deformacij. Za čiščenje uporabite toplo vodo in mehko krpo in obrišite do suhega.

Zaščita plastičnih površin

- ⓘ Tekočega olja ali na olju kuhanih jedi ne shranjujte v hladilniku v odprtih posodah, saj lahko poškodujejo plastične površine hladilnika. Če na plastičnih površinah razlijete olje ali jih umažete z oljem, jih očistite in splaknite s toplo vodo.

7 Priporočljive rešitve za težave

Prosimo, preglejte ta seznam preden pokličete servisno službo. Lahko Vam prihrani čas in denar. Na seznamu so pogoste pritožbe, ki niso posledica pomanjkljive izdelave ali materiala. Nekatere izmed opisanih značilnosti, morda ne veljajo za vašo napravo.

Hladilnik ne deluje

- Ali je hladilnik pravilno priključen? Priključite vtič v vtičnico na steni.
- Ali je glavna varovalka ali pa varovalka vtičnice v katero je priključen hladilnik pregorela? Preverite varovalko.

Kondenzacija na stranski steni hladilnega dela. (MULTI ZONE, COOL CONTROL in FLEXI ZONE)

- Zelo hladne prostorske razmere. Pogosto odpiranje in zapiranje vrat. Visoka vlažnost v prostoru. Shranjevanje živil, ki vsebujejo tekočino, v odprtih posodah. Vrata so bila priprta.
- Termostat preklopite na hladnejšo stopnjo.
- Vrata naj bodo odprta manj časa ali pa jih ne uporabljajte tako pogosto.
- Živila, ki so shranjena v odprtih posodah, pokrijte z ustrezno obojnino.
- Kondenzacijo obrišite s suho krpo in preverite, če se ponovi.

Kompresor ne deluje

- Termična zaščita kompresorja bo med nenadnimi izpadi električnega toka ali pri izključevanju-vključevanju pregorela, saj pritisk hladilnega sredstva v hladilnem sistemu še ni uravnotežen.
- Po približno 6 minutah se bo hladilnik zagnal. Če se hladilnik po tem času ne zažene, pokličite servisno službo.
- Hladilnik se odtaja. Za hladilnik s popolnoma samodejnim odtajanjem je to običajno. Odtajanje poteka v rednih presledkih.
- Hladilnik ni vključen v vtičnico. Prepričajte se, da je vtič dobro priključen v vtičnico.
- Ali so temperature pravilno nastavljene? Izpad električnega toka. Pokličite vašega dobavitelja električne energije.

Delovanje hladilnika je pogosto ali traja dalj časa.

<ul style="list-style-type: none"> • Nov hladilnik je širši od prejšnjega. To je običajno. Veliki hladilniki delujejo dalj časa. • Temperatura prostora je lahko visoka. To je normalno. • Hladilnik je bil pred kratkim priključen ali pa je bil prenapolnjen z živili. Popolno ohlajanje hladilnika lahko traja nekaj ur dlje. • V hladilnik so bile nedavno postavljene večje količine toplih živil. Topla živila povzročijo daljše delovanje hladilnika, da dosežejo varno temperaturo za shranjevanje. • Vrata so se pogosto odpirala ali bila dalj časa priprta. Topel zrak, ki je prišel v hladilnik, povzroča daljše delovanje hladilnika. Vrata odpirajte manj pogosto. • Vrata zamrzovalnega ali hladilnega dela so bila priprta. Preverite, če so vrata dobro zaprta. • Hladilnik je nastavljen na zelo nizko temperaturo. Temperaturo hladilnika nastavite na toplejšo stopnjo in počakajte, da jo doseže. • Tesnilo na vratih hladilnika ali zamrzovalnika je umazano, izrabljeno, zlomljeno ali nepravilno nameščeno. Tesnilo očistite ali zamenjajte. Poškodovano/ zlomljeno tesnilo povzroča, da hladilnik deluje dalj časa za vzdrževanje trenutne temperature.
<p>Temperatura zamrzovalnika je zelo nizka, medtem ko je temperatura hladilnika ustrezna.</p>

<ul style="list-style-type: none"> • Temperatura zamrzovalnika je nastavljen na zelo nizko stopnjo. Temperaturo zamrzovalnika nastavite na toplejšo stopnjo in preverite.
<p>Temperatura hladilnika je zelo nizka, medtem ko je temperatura zamrzovalnika ustrezna.</p>
<ul style="list-style-type: none"> • Temperatura hladilnika je nastavljen na zelo nizko stopnjo. Temperaturo hladilnika nastavite na toplejšo stopnjo in preverite.
<p>Živila shranjena v predalih hladilnega dela zamrzujejo.</p>
<ul style="list-style-type: none"> • Temperatura hladilnika je nastavljen na zelo nizko stopnjo. Temperaturo hladilnika nastavite na toplejšo stopnjo in preverite.
<p>Temperature v hladilniku ali zamrzovalniku so zelo visoke.</p>
<ul style="list-style-type: none"> • Temperatura hladilnika je nastavljen na zelo visoko stopnjo. Nastavitev hladilnika vpliva na temperaturo zamrzovalnika. Spremenite temperaturo hladilnika ali zamrzovalnika, da dosežete ustrezno temperaturo. • Vrata so priprta. Dobro zaprite vrata. • V hladilnik so bile nedavno postavljene večje količine toplih živil. Počakajte, da hladilnik ali zamrzovalnik doseže želeno temperaturo. • Hladilnik je bil pred kratkim priključen. Zaradi velikosti hladilnik potrebuje čas, da se popolnoma ohladi.
<p>Hladilnik oddaja zvok, ki je podoben zvoku analogne ure.</p>

<ul style="list-style-type: none"> • Ta zvok oddaja elektromagnetni ventil hladilnika. Elektromagnetni ventil zagotavlja prehajanje hladilnega sredstva, ki ga lahko nastavimo na hladilne ali zamrzovalne temperature oz. hladilne funkcije. To je normalno in ni okvara. 	<ul style="list-style-type: none"> • Vroče in vlažno vreme poveča zaledenitev in kondenzacijo. To je običajno in ni napaka. • Vrata so priprta. Prepričajte se, da so vrata popolnoma zaprta. • Vrata so se pogosto odpirala ali bila dalj časa priprta. Vrata odpirajte manj pogosto.
<p>Med delovanjem hladilnika se hrup poveča.</p>	<p>Na zunanji strani hladilnika ali med vrati se pojavi vlaga.</p>
<ul style="list-style-type: none"> • Značilnosti učinkovitosti delovanja hladilnika se lahko spremenijo glede na spremembe temperature prostora. To je običajno in ni napaka. 	<ul style="list-style-type: none"> • Vlažno vreme. Pri vlažnem vremenu je to običajno. Ko se vlaga zniža, bo kondenzacija izginila.
<p>Tresljaji ali hrup</p>	<p>Neprijeten vonj v hladilniku.</p>
<ul style="list-style-type: none"> • Neravna ali slabotna tla. Hladilnik se med počasnim premikanjem trese. Prepričajte se, da so tla ravna, močna in primerna podpora za hladilnik. • Hrup lahko povzročajo predmeti, ki so postavljeni na hladilniku. Takšne predmete odstranite z vrha hladilnika. 	<ul style="list-style-type: none"> • Notranjost hladilnika naj bo čista. Notranjost hladilnika očistite z gobo, toplo ali gazirano vodo. • Vonj povzročajo nekatere posode ali materiali pakiranja. Uporabite druge posode ali drugačno vrsto materialov pakiranja.
<p>Hrup podoben prelivanju tekočine ali pršenju.</p>	<p>Vrata se ne zapirajo.</p>
<ul style="list-style-type: none"> • Način delovanja hladilnika povzroča pretok tekočine in plinov. To je običajno in ni napaka. 	<ul style="list-style-type: none"> • Ovojnine živil preprečujejo zapiranje vrat. Prestavite pakiranja, ki ovirajo vrata. • Hladilnik ni popolnoma pokončno postavljen na tla in se zatrese ob rahlem premiku. Prilagodite vijake za nastavitvev. • Neravna ali šibka tla. Prepričajte se, da so tla ravna in primerna podpora za hladilnik.
<p>Hrup podoben pihanju vetra.</p>	<p>Predali so obtičali.</p>
<ul style="list-style-type: none"> • Zračni aktivatorji (ventilatorji) pripomorejo k učinkovitemu hlajenju hladilnika. To je običajno in ni napaka. 	<ul style="list-style-type: none"> • Živila se dotikajo stropa predala. Ponovno razporedite živila v predalu.
<p>Kondenzacija na notranjih stenah hladilnika.</p>	<p>Če je površina izdelka vroča.</p>
	<ul style="list-style-type: none"> • Med delovanjem izdelka se lahko predel med obojimi vrati, stranske plošče in zadnja rešetka segrejejo. To je običajno in ne zahteva posredovanja serviserja!

beko

Chłodziarka
Instrukcja użytkowania

Šaldytuvas

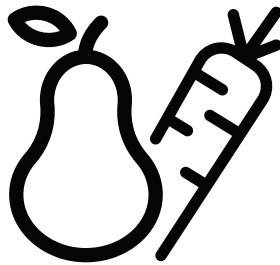
Vartotojo vadovas

Ledusskapis

Lietotāja rokasgrāmata

Külmik

Kasutusjuhend



TS 190320 - TS 190340N

HU / LT / LV / ET



ÚJRAHASZNOSÍTOTT ÉS
ÚJRAFELDOLGOZHATÓ
PAPÍR



PERDIRBTAS &
PERDIRBAMAS POPIERIUS



PĀRSTRĀDĀTS UN
PĀRSTRĀDĀJAMS PĀPIRS



ŪMBERTŪŌDELTUD JA
TAASKASUTATAV PĀBER

48 9822 0000/BK
4/51

Kérjük, előbb olvassa el a használati útmutatót!

Tisztelt Vásárló!

Bízunk benne, hogy termékünk, mely egy modern gyárban készült, és a legaprólékosabb minőségirányítási eljárások alapján lett tesztelve, hatékony szolgáltatást fog biztosítani az Ön számára.




Ehhez azt javasoljuk, hogy használat előtt alaposan olvassa el a teljes használati útmutatót, és azt ne dobja ki, mert a jövőben még szüksége lehet rá.

Ez a használati útmutató

- Segít a készüléket gyors és biztonságos módon használni.
 - A termék beszerelése és használata előtt olvassa el a használati útmutatót.
 - Tartsa be az utasításokat, főleg azokat, melyek a biztonságra vonatkozó információkat.
 - A használati útmutatót tartsa olyan helyen, ahol a jövőben könnyen hozzá tud férni.
 - Olvassa el a többi dokumentumot is, melyet a termékhez kapott.
- Ne feledje, ez a használati útmutató más modellekre is érvényes lehet.

Szimbólumok és leírásuk

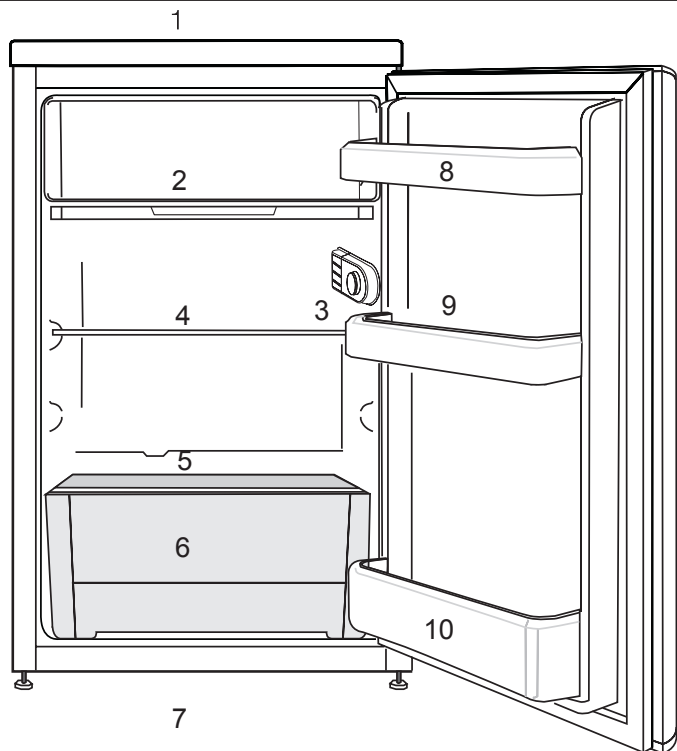
Ez a használati útmutató a következő szimbólumokat tartalmazza:

-  Fontos információ vagy hasznos tippek.
-  Figyelmeztetés veszélyes körülményekre.
-  Figyelmeztetés elektromos feszültség miatt.

TARTALOMJEGYZÉK

1 Az Ön hűtőszekrénye	4	4 Előkészületek	14
2 Fontos biztonsági figyelmeztetések	5	5 A hűtő használata	15
Rendeltetésszerű használat.....	5	A készülék kiolvasztása	15
Vízadagolóval ellátott termékek esetén;.....	8	Hűtés.....	16
Gyermekbiztonság.....	9	Élelmiszerek tárolása.....	16
A WEEE-irányelvnek való megfelelés és a hulladék termék megsemmisítése:	9	6 Karbantartás és tisztítás	18
Az RoHS-irányelvnek való megfelelés:	9	A műanyag felületek védelme	18
Csomagolásra vonatkozó információ	9	7 A problémák javasolt megoldása	19
HC Figyelmeztetés.....	9		
Az energiatakarékosság jegyében teendő lépések.....	10		
3 Beüzemelés	11		
A hűtő szállításakor figyelembe veendő dolgok	11		
A hűtő üzembe helyezése előtt	11		
Elektromos összeköttetés	11		
A csomagolás leselejtezése.....	11		
Tartólábak	12		
A lámpa cseréje	12		
A régi hűtő leselejtezése.....	12		
Elhelyezés és üzembe helyezés.....	12		
Az ajtónyitás megfordítása.....	13		

1 Az Ön hűtőszekrénye



- | | |
|---|-------------------------|
| 1. Top Trim | 6. Élesebb |
| 2. Drain Tálca | 7. Állítható Első Lábak |
| 3. Belső Világítás & Termosztáló Gombot | 8. Ajtó Polcok |
| 4. Mozgatható Polc | 9. Tojástartó |
| 5. Fiókfedi | 10. Bottle Polc |

i A használati útmutatóban található képek szemléltető jellegűek, nem a valódi terméket ábrázolják. Amennyiben olyan részeket talál, melyek nem találhatók meg, az Ön által megvásárolt termékben, akkor azok más modellekre vonatkoznak.

2 Fontos biztonsági figyelmeztetések

Kérjük, olvassa el az alábbi információkat. A következő információk figyelmen kívül hagyása sérüléseket vagy anyagi károkat okozhat. Az eredeti alkatrészeket a termék vásárlásától számított 10 évig szállítjuk.

Rendeltetésszerű használat

⚠	FIGYELEM: Hagyja szabadon a készülék és a beépített rendszerek szellőzőnyílásait.
⚠	FIGYELEM: Ne használjon mechanikus berendezéseket vagy egyéb eszközöket a kiolvasztás felgyorsításához, mint amelyeket a gyártó ajánlott.
⚠	FIGYELEM: Ne okozzon sérülést a hűtőkörön.
⚠	FIGYELEM: Ne használjon a gyártó ajánlásain kívüli elektromos berendezéseket a készülék élelmiszertároló részeleiben.

FIGYELMEZTETÉS:

⚠ Ne tároljon a készülékben gyúlékony anyagokat, pl. aeroszolos dobozokat.

A készülék kizárólag otthoni és hasonló körülmények közötti használatra való, mint pl.:

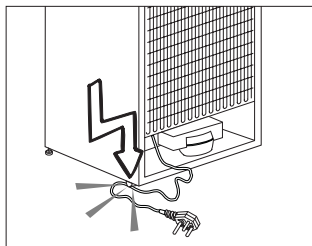
- üzletek, irodák és egyéb munkahelyek személyzeti konyhája;
- farmházak és a hotelek, motelek és egyéb lakójellegű környezetek;
- szállásadó szolgáltatók;
- étkeztetési szolgáltatók és hasonló nem üzleti alkalmazások.

Általános tudnivalók

- A termék leselejtezésével/kidobásával kapcsolatban kérjük, érdeklődjön a hivatalos szolgáltatónál.
- A hűtővel kapcsolatos kérdésekkel és problémákkal kérjük, forduljon a hivatalos szervizhez. Saját maga, ill. nem hivatásos személyek nem javíthatják a hűtőt a hivatalos szerviz tájékoztatása nélkül.
- Fagyasztóval ellátott termék esetén; A fagyasztóból kivéve ne egye meg azonnal a jégkrémet vagy a jégkockákat! (Ez fagyási sérülést okozhat a szájban.)

- Fagyasztóval ellátott termékek esetén; Soha ne helyezzen a fagyasztóba helyezzen üveges vagy kannás italokat. A fagyasztóban ezek megrepedhetnek.
- A fagyott ételeket ne fogja meg kézzel, mert hozzáragadhatnak a kezéhez.
- A tisztítás vagy leolvasztás előtt húzza ki a hűtőszekrényt.
- Permetes tisztítószerrel sose használjon a hűtő tisztításánál. Ez ugyanis rövidzárlatot vagy áramütést okozhat a hűtő elektromos alkatrészeivel való érintkezéskor.
- Soha ne használja a hűtő egyes elemeit, például az ajtót támasztékként vagy lépcsőként.
- Ne helyezzen el elektromos készüléket a hűtőben.
- Ne rongálja meg azon alkatrészeket, ahol a hűtőfolyadék áramlik, fúró vagy vágó eszközökkel. A párologtató gázvezetékeinek, a csőtoldalékok vagy a csőburkolatok megsérülésekor kifröccsenő hűtőfolyadék bőrirritációt és szemsérülést okoz.
- A hűtő szellőzőnyílásait ne takarja le vagy tömje be semmivel.
- Az elektromos berendezéseket kizárólag engedéllyel rendelkező személyek javíthatják. Az inkompetens személyek által elvégzett javítások veszélyforrást jelenthetnek.
- Meghibásodás, ill. karbantartási vagy javítási munkálatok során válassza le a hűtőt az elektromos hálózatról a megfelelő biztosíték kikapcsolásával vagy a készülék kihúzásával.
- A hűtőt a dugónál fogva húzza ki a konnektorból.
- Gondoskodjon róla, hogy a magas alkoholtartalmú italok biztonságosan legyenek tárolva lezárt kupakkal, függőlegesen elhelyezve.
- Soha ne tároljon a hűtőben gyúlékony vagy robbanó anyagokat tartalmazó spray dobozokat.
- A leolvasztás felgyorsításához csak a gyártó által ajánlott mechanikus eszközöket vagy egyéb módszereket használjon.
- A készüléket nem használhatják fizikai, érzékszervi vagy mentális rendellenességben szenvedő, vagy képzetlen/tapasztalatlan emberek (ideértve a gyermekeket is), kivéve, ha az ilyen személy felügyeletét valamely, annak biztonságáért felelős személy látja el, illetve ez a személy a készülék használatára vonatkozóan útmutatást biztosít.
- Ha a hűtő sérült, ne használja azt. Amennyiben kérdése van, konzultáljon valamelyik szervizzel.

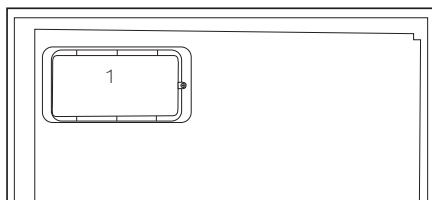
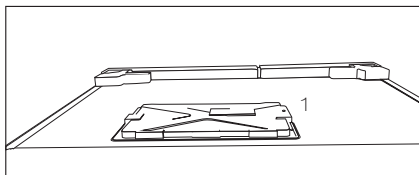
- A hűtő elektromos biztonsága csak akkor biztosított, ha lakása földelőrendszere megfelel az előírásoknak.
- Ne tegye ki a terméket esőnek, hónak, napsütésnek vagy szélnek, mert ez kárt tehet a termék elektromos rendszerében.
- A sérülések elkerülése érdekében, sérült tápkábel esetén vegye fel a kapcsolatot a hivatalos szervizzel.
- Beszerelés közben ne dugja be a hűtőt a konnektorba. Ellenkező esetben súlyos vagy halálos sérülést szenvedhet.
- A hűtőszekrény csak élelmiszerek tárolására használható. Egyéb célra nem használható.
- A címke és a műszaki adatok leírása a hűtőszekrény belsejében, a bal oldali falon található.
- Soha ne csatlakoztassa a hűtőszekrényt energiamegtakarító rendszerhez; ezek kárt tehetnek a hűtőszekrényben.
- Amennyiben kék fény világít a hűtőszekrényen, pusztán szemmel vagy optikai eszközökkel ne nézzen sokáig a kék fénybe.
- A manuálisan szabályozott hűtőszekrényeknél az áramszünet után legalább 5 percet várjon a hűtőszekrény bekapcsolása előtt.
- A termék új tulajdonosnak történő átadásakor a ne feledje átadni a kézikönyvet is.
- A hűtőszekrény szállításakor vigyázzon, nehogy kárt tegyen a tápkábelben. A kábel meghajlítása tüzet okozhat. Soha ne helyezzen nehéz tárgyakat a tápkábelre. A készülék bedugásakor soha ne fogja meg nedves kézzel a dugót.



- A hűtőszekrényt ne csatlakoztassa laza konnektorba.
- Biztonsági okokból soha ne fújjon folyadékot a készülék belső vagy külső részeire.
- Ne fújjon ki gyúlékony anyagokat, pl. propán gáz, stb. a hűtőszekrény közelében, mert tűz keletkezhet, vagy felrobbanhat.
- Soha ne helyezzen vízzel töltött tárgyakat a hűtőszekrény tetejére, mert azok áramütést vagy tüzet okozhatnak.
- Soha ne terhelje túl a hűtőszekrényt túlzottan sok étellel. Túlterhelés esetén az élelmiszerek leeshetnek és kárt tehetnek

a hűtőszekrényben az ajtó kinyitásakor. Soha ne helyezzen tárgyakat a hűtőszekrény tetejére; ellenkező esetben ezek a tárgyak az ajtó kinyitásakor vagy becsukásakor leeshetnek.

- Mivel ezek precíz teljesítményszabályozást igényelnek, a gyógyszerek, a hőérékeny orvosságok és kutatási anyagok stb. nem tárolhatók a hűtőszekrényben.
- Amennyiben hosszú ideig nem használja, húzza ki a tápkábel hibája tüzet okozhat.
- Amennyiben a beállítható lábak nincsenek megfelelően beállítva, a hűtő billeghet. Az állítható lábak megfelelő rögzítése megakadályozhatja a billegést.
- A hűtőszekrény szállításakor soha ne emelje fel a fogantyúnál fogva. A fogantyú letörhet.
- Amennyiben a terméket egy másik hűtőszekrény vagy fagyasztó mellé helyezi, a két készülék közt legalább 8 cm helyet kell hagynia. Ellenkező esetben a szomszédos falak bepárárosodhatnak.
- Soha ne használja a terméket, ha a termék tetején vagy a hátoldalán található, belsejében nyomtatott áramkört tartalmazó elektronikus szakasz nyitva van (elektronikus nyomtatott áramkör fedél) (1).



Vízadagolóval ellátott termékek esetén;

- A hideg víz max. bemeneti nyomása 90 psi (620 kPa). Ha a víz nyomása meghaladja a 80 psi (550 kPa) értéket, használjon egy nyomáscsökkentő szelepet a vízhálózaton. Ja nem tudja ellenőrizni a víz nyomását, kérje egy vízvezeték-szerelő segítségét.
- Ha fennáll a vízkalapács effektus kockázata a hálózatában, akkor mindig használjon egy vízkalapács effektust gátló berendezést. Ha nem biztos abban, hogy nincs vízkalapács effektus a hálózatában, akkor forduljon vízvezeték-szerelőhöz.
- Ne telepítse meleg víz bemenetre. Tegyen óvintézkedéseket a vezetékek elfagyásának megelőzése érdekében. A víz üzemi hőmérséklete min. 33°F

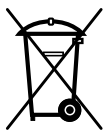
(0,6°C) és max. 100°F (38°C) legyen.

- Kizárólag ivóvizet használjon.

Gyermekbiztonság

- Amennyiben az ajtó zárral is rendelkezik, a kulcsot tartsa távol a gyermekektől.
- A gyermekeket folyamatosan felügyelni kell, hogy ne babráljanak a termékkel.

A WEEE-irányelvnek való megfelelés és a hulladék termék megsemmisítése:



A termék megfelel az uniós WEEE-irányelv (2012/19/EU) követelményeinek. A terméken megtalálható az elektromos és elektronikus hulladékok besorolására vonatkozó szimbólum (WEEE).

A terméket magas minőségű alkatrészekből és anyagokból állították elő, amelyek ismételten felhasználhatók és alkalmasak az újrahasznosításra. A hulladék terméket annak élettartamának végén ne a szokásos háztartási vagy egyéb hulladékkal együtt selejtezze le. Vigye el azt egy az elektromos és elektronikus berendezések újrahasznosítására szakosodott begyűjtőhelyre. A begyűjtőhelyek kapcsán kérjük, tájékozódjon a helyi hatóságoknál.

Az RoHS-irányelvnek való megfelelés:

Az Ön által megvásárolt termék megfelel az uniós RoHS-irányelv (2011/65/EU) követelményeinek. A termék nem tartalmaz az irányelvben meghatározott káros vagy tiltott anyagokat.

Csomagolásra vonatkozó információ

A termék csomagolóanyagai, a nemzeti környezetvédelmi előírásokkal összhangban, újrahasznosítható anyagokból készültek. A csomagolóanyagokat ne a háztartási vagy egyéb hulladékokkal együtt dobja ki! Vigye el azokat a helyi hatóságok által e célból kijelölt csomagolóanyag-begyűjtő pontokra.

HC Figyelmeztetés

Amennyiben a termék R600a hűtőrendszerrel rendelkezik:

Ez a gáz gyúlékony. Ennek következtében figyeljen oda, hogy szállítás és használat közben ne tegyen kárt a hűtőrendszerben. Sérülés esetén tartsa távol a terméket a lehetséges tűzforrásoktól, melynek hatására a készülék begyulladhat, továbbá folyamatosan szellőztesse a szobát, ahol a készüléket elhelyezte.

Hagyja figyelmen kívül ezt a figyelmeztetést, amennyiben a hűtőrendszer R134a hűtőközeget használ.

A termékben használt gáz típusát a hűtőszekrény belsejében, a bal oldali falon találja.

Soha ne égesse el a terméket.

esetén, az élelmiszerek kisebb mérete miatt nem áll fenn az élelmiszerek megfagyásának veszélye.

- A fagyasztott élelmiszer hűtőszekrényben történő felolvasztása energiát takarít meg, és megőrzi az étel minőségét.

Az energiatakarékosság jegyében teendő lépések

- Ne hagyja sokáig nyitva a hűtő ajtaját.
- Ne tegyen meleg ételt vagy italt a hűtőbe.
- Csak annyi ételt/italt tegyen a hűtőbe, hogy az ne akadályozza a levegő cirkulációt.
- Ne helyezze a hűtőt olyan helyre, ahol azt közvetlen napsütés éri, vagy ahol a közelben hóforrás van (pl. sütő, mosogatógép vagy radiátor).
- Ügyeljen rá, hogy az ételeket zárt edényben tárolja a hűtőben.
- Fagyasztórekesszel ellátott termékek esetén; Akkor tárolhat maximális mennyiségű élelmiszert a hűtőszekrényben, ha eltávolítja a polcokat vagy a fagyasztó fiókját. Az energiafogyasztást úgy határozták meg, hogy eltávolították a fagyasztó polcokat és fiókjait, és a fagyasztót telepakolták. A polc vagy a fiók használata

3 Beüzemelés

⚠ Felhívjuk rá figyelmét, hogy a gyártó nem vállal felelősséget a jelen útmutatóban foglalt információk figyelmen kívül hagyása miatt bekövetkező károkért.

A hűtő szállításakor figyelembe veendő dolgok

1. Szállítás előtt ürítse ki és tisztítsa ki a hűtőt.
2. A hűtő becsomagolása előtt a polcokat, kiegészítőket, fiókokat stb. rögzíteni kell szigszalaggal.
3. A csomagolást szigszalaggal és erős madzaggal össze kell fogni, és a csomagoláson feltüntetett szabályokat be kell tartani.

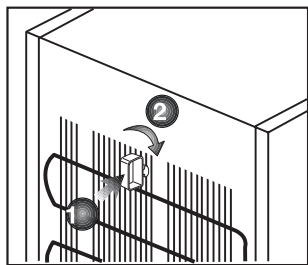
Ne feledje...

Minden újrahasznosított anyag nélkülözhetetlen a természet és nemzeti erőforrásaink számára.

Amennyiben szeretne részt venni a csomagolóanyagok újrahasznosításában, további információkat a környezetvédelmi szervektől vagy a helyi hatóságoktól szerezhet.

A hűtő üzembe helyezése előtt

A hűtő használatbavétele előtt ellenőrizze az alábbiakat:



Elektromos összeköttetés

A terméket egy olyan földelt aljzathoz csatlakoztassa, mely el van látva megfelelő teljesítményű biztosítókkal. Fontos:

- A csatlakozásnak meg kell felelnie az országos normáknak.
- Ügyeljen rá, hogy a tápkábel könnyen hozzáférhető legyen a hűtő elhelyezése után.
- A meghatározott feszültség értéknek meg kell egyeznie a hálózati feszültség értékével.
- Hosszabbítót és elosztót ne használjon.

⚠ A sérült tápkábel cseréjét bízza szakemberre.

⚠ A terméket hibásan ne üzemeltesse! Ilyenkor ugyanis áramütés veszélye áll fenn!

A csomagolás leselejtezése

A csomagolóanyagok veszélyt jelenthetnek a gyermekekre nézve. Ezért tartsa a csomagolóanyagokat gyermekektől távol, vagy selejtezze le azokat a hulladékokra vonatkozó utasítások szerint. A csomagolóanyagokat ne háztartási hulladékként kezelje.

A hűtő csomagolóanyaga újrahasznosítható anyagokból készült.

A régi hűtő leselejtezése

A régi hűtőt úgy selejtezze le, hogy ezzel ne okozzon kárt a környezetnek.

- A hűtő leselejtezésével kapcsolatban bővebb információt a hivatalos márkakereskedésekben ill. a hulladékgyűjtő központokban kaphat.

A hűtő leselejtezése előtt vágja el a tápkábelt, tegye használhatatlanná az ajtón lévő zárat (ha van), hogy a gyermekeket ne érhesse baj.

Elhelyezés és üzembe helyezés

⚠ Amennyiben a hűtőszekrény tárolására kijelölt szoba ajtaja nem elég széles, a hűtők ajtajainak eltávolításához hívja ki a hivatalos szervizt.

1. A hűtőszekrényt könnyen hozzáférhető helyre helyezze.

2. Tartsa távol a hűtőszekrényt a hőforrásoktól, a nedves helyektől és a közvetlen napsütéstől.

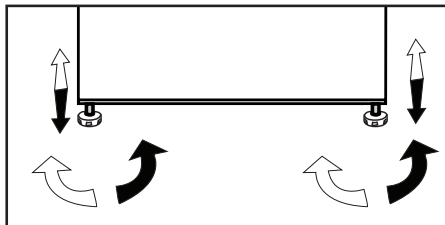
3. A hatékony működés érdekében a hűtőszekrényt egy jól szellőző helyen kell elhelyezni. Amennyiben a hűtőszekrényt egy fali bemélyedésbe helyezi be, a készülék körül minden irányból legalább 5 cm helyet kell hagyni. **Amennyiben a padló szőnyeggel van letakarva, a terméket 2,5 cm-rel meg kell emelni.**

4. A rázkódások elkerülése érdekében a hűtőszekrényt egy egyenletes padlón helyezze el.

Tartólábak

Ha a hűtő dülöngél:

A hűtő stabilizálásához csavarja el az elülső lábakat az ábrán látható módon. A láb a fekete nyíl irányába csavarva lejjebb ereszkedik, míg az ellenkező irányba tekerve megemelkedik. A műveletet kényelmes elvégzéséhez két emberre van szükség.



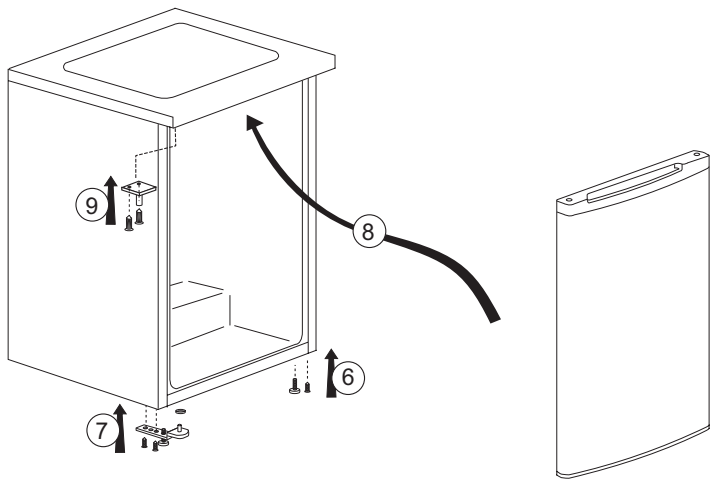
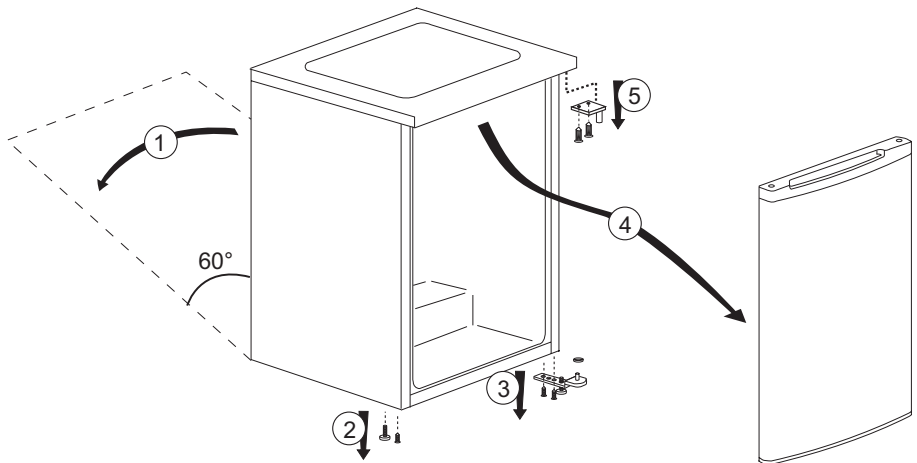
A lámpa cseréje

A hűtőszekrény lámpájának cseréjéhez, kérjük, hívja fel a szakszervizt.

A készülékben lévő lámpa/lámpák háztartásban lévő helyiségek megvilágítására nem alkalmas/alkalmasak. A lámpa rendeltetése, hogy segítse a felhasználót az élelmiszerek hűtőszekrénybe/fagyasztószekrénybe való gyors és biztonságos behelyezésében.

A készülékben használt lámpáknak extrém környezeti hatásokat kell kibírniuk, mint pl. a -20 °C hőmérséklet.

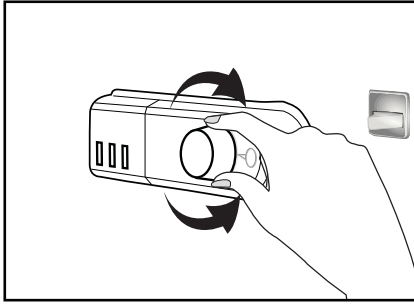
Az ajtónyitás megfordítása



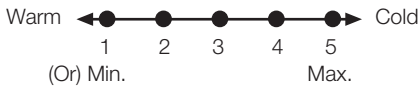
4 Előkészületek

- i** A fagyasztó legalább 30 cm-re kell elhelyezni minden hőforrástól (pl. kandalló, sütő, főzőlap), és legalább 5 cm-re az elektromos sütőtől. Ezenkívül óvni kell a közvetlen napsütéstől is.
- i** Az adott helyiségben, ahová a fagyasztót kívánja tenni, legalább 5°C-nak kell lennie.
- i** Kérjük, ügyeljen rá, hogy a fagyasztó belseje alaposan meg legyen tisztítva.
- i** Ha két készüléket szeretne egymás mellé tenni, pl. egy hűtőt és egy fagyasztót, akkor használjon dekorációs szettet, ami tartalmaz egy kislemezt és egy dekorációs részt. A lemezt az egyik készülék oldalára kell felrögzíteni, hogy kellő nagyságú rés legyen a két készülék között. A dekorációs részt a két készülék közé kell tenni, hogy eltakarja az ott lévő részt (2. ábra). A dekorációs szett nem része a készüléknek – azt külön kell megvenni.
- i** A fagyasztó első beüzemelésekor kérjük, tartsa be az alábbiakat az első hat óra alatt.
 - Ne nyitogassa gyakran az ajtót.
 - Üresen, étel behelyezése nélkül kell üzemeltetni.
 - Ne húzza ki a fagyasztót.
Áramkimaradás esetén kérjük, tekintse meg az "Problémák javasolt megoldása" c. részt.
- i** Órizze meg az eredeti csomagolást, hogy a későbbiekben tudja miben szállítani a hűtőt.
- i** A fagyasztó belsejét a "Karbantartás és tisztítás" c. fejezetben foglaltak szerint tisztítsa.

5A hűtő használata



A hűtő hőmérsékletét a hőmérséklet szabályozó szabályozza.



1 = Legalacsonyabb hűtésfokozat (Legmelegebb beállítás)

5 = Legmagasabb hűtésfokozat (Leghidegebb beállítás)

(Vagy)

Min. = Legalacsonyabb hűtésfokozat

(Legmelegebb beállítás)

Max. = Legmagasabb hűtésfokozat (Leghidegebb beállítás)

A hűtőszekrény átlagos belső hőmérsékletének $+5^{\circ}\text{C}$ kell lennie.

Kérjük, ellenőrizze a beállításokat a kívánt hőmérsékletnek megfelelően.

A készülék műveletét megszakíthatja a termosztát "0" pozícióba való forgatásával.

Vegye figyelembe, hogy különböző hőmérséklet található a hűtési területen.

A leghidegebb tartomány a zöldségtartó rekesz fölött található.

A belső hőmérséklet függ a környezeti hőmérséklettől, hányszor nyitja ki az ajtót, és a bent levő ételek összességétől.

A rendszeres nyitogatás miatt a hőmérséklet emelkedik.

Ezért, használat után mindig csukja be az ajtót.

A leghidegebb tartomány a jégkészítő tér alatt található.

30°C -nál magasabb környezeti hőmérséklet esetén, távolítsa el a leeresztő tálcát a jobb hűtési teljesítmény érdekében.

Magas páratartalom alatt a hűtőn lecsapódás keletkezhet; ez nem számít hibának. A biztonsági előírásokat követve egy száraz törülközővel letörölhető. Jegesedés, fagyosodás valamint lecsapódás normálisnak tekinthető a jégkészítő valamint a víztároló területén.

A készülék kiolvasztása

A túlzott jéglerakódás befolyásolja készüléke fagyasztási teljesítményét.

Legalább évente kétszer engedje le a készüléket, illetve ha a jégfelrakódás vastagsága meghaladja a 7mm-t.

Akkor engedje le a készüléket, ha kevés étel van benne, vagy egyáltalán nincs benne semmi.

Vegye ki a mélyfagyasztott ételeket. Csomagolja be a mélyfagyasztott ételeket papírba vagy takaróba és tegye őket hideg helyre.

Áramtalanítsa vagy kapcsolja ki a árammegszakítót a leengedési folyamat elindításához.

Vegye ki a kiegészítőket (polcok, fiókok, stb.) a készülékből, és használjon megfelelő gyűjtőt a leolvadt víz összegyűjtésére.

Szükség esetén használjon szivacsot vagy puha törülőkendőt a leolvadt víz eltávolításához a fagyasztórekeszben.

Az ajtót hagyja nyitva a leolvasztás alatt.

A gyorsabb leengedés érdekében helyezzen meleg vízzel töltött edényt a készülékbe.

A jég eltávolítására soha ne használjon különböző elektronikus eszközöket, spray-eket, éles tárgyakat, mint pl. kés vagy villa.

A leolvasztás után tisztítsa meg belülről.

Most már ismét csatlakoztathatja a készüléket a konnektorba. Tegye a fagyasztott ételeket a fiókba és csúsztassa a fiókot a fagyasztóba.

Az Ön biztonsága érdekében ramtalanítsa vagy kapcsolja ki a árammegszakítót a leengedési folyamat elindításához.

Jégtelenítés során a csepegtetőtálca pozíciójának meg kell egyeznie a téli mód pozíciójával. Jégtelenítés után nyári vagy téli pozícióba is állítható, igényeinek megfelelően.

Hűtés

Élelmiszerek tárolása

A hűtőszekrény rekesze a friss ételek és italok rövid távú tárolására szolgál.

A tejtermékeket tartsa az erre a célra kialakított rekeszben.

Az üvegeket az üvegtartóban vagy az ajtón található üvegpolcon tartsa.

A nyers húst polietilén zacskóban tárolja a rekeszben, a hűtő legalján.

Az italokat és meleg ételleket hagyja lehűlni szobahőmérsékletre, csak ezután rakja be a hűtőbe.

• Figyelem!

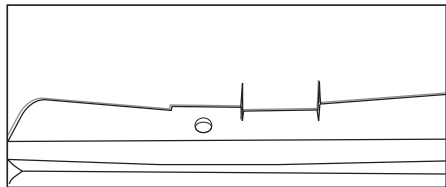
Tömény alkoholt csak függőleges helyzetben tároljon, és az üveg kupakja legyen jól elzárva.

• Figyelem!

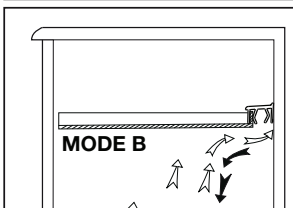
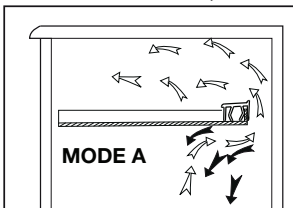
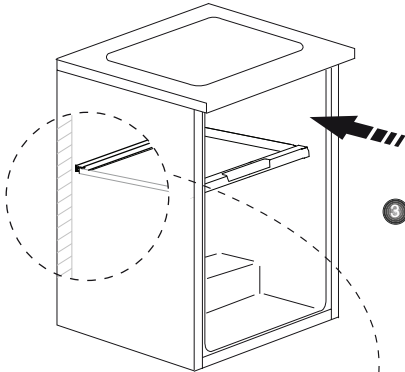
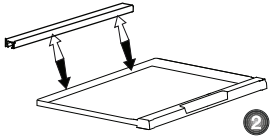
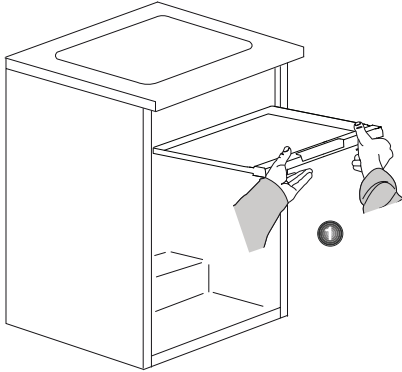
Ne tároljon robbanásveszélyes anyagokat vagy éghető hajtógázokat (krémes dobozok, spray dobozok stb.) a készülékben.

Fennáll a robbanásveszély.

A jelzett zártvégű ofszet a kialakítás része; ez nincs hatással a hűtőrendszerre.



A hűtőrekesz kívánt hőmérsékletének fenntartásához, a környező hőmérséklettől függően, a csepegtetőtálcát a lentieknek megfelelően kell használni, mint például tél módban hideg környező hőmérséklet szerint, nyár módban pedig meleg környező hőmérséklet szerint.



NYÁR MÓD (A MÓD)

Amikor hűvösebb hűtőrekesz hőmérséklet kívánatos...

TÉL MÓD (B MÓD)

(Amikor melegebb hűtőrekesz hőmérséklet kívánatos.)

6 Karbantartás és tisztítás

- ⚠ Tisztításhoz sose használjon benzint vagy hasonló szert.
- ⚠ Tisztítás előtt célszerű kihúzni a berendezést.
- ⚠ Soha ne használjon éles, csiszoló anyagot, szappant, háztartási tisztítót, tisztítószert vagy viaszpolírt a tisztításhoz.
- ⚠ A nem No Frost felszereltségű termékek esetében vízcseppek és ujjnyi vastagságú jég képződhet a hűtőtér hátsó falán. Ne tisztítsa le. Soha ne kenjen rá olajat vagy hasonló szereket.
- ⚠ Kizárólag enyhén nedves mikroszálas ruhát használjon a termék külső felületének tisztítására. A szivacsok és más típusú tisztító ruhák megkarcolhatják a felületet.
- ℹ Használjon langyos vizet a hűtő belsejének tisztításához, és törölje szárazra azt.
- ℹ A belső rész tisztításához mártson egy ruhát fél liter vízbe, amelyben feloldott egy teáskanál szódbikarbónát, csavarja ki, és törölje át vele a belsőt, majd törölje szárazra.
- ⚠ Ügyeljen rá, hogy ne kerüljön víz a lámpabúra alá ill. ne kerüljön kapcsolatba más elektromos résszel.
- ⚠ Ha a hűtőt hosszú ideig nem használják, húzza ki a konnektorból, távolítsa el minden élelmiszert, tisztítsa meg, és hagyja félig nyitva az ajtót.
- ℹ Rendszeresen ellenőrizze az ajtó tömítéseket, hogy meggyőződjön róla, hogy tiszták és ételmaradékoktól mentesek.
- ⚠ Az ajtópolcok eltávolításához vegyen ki onnan mindent, majd egyszerűen tolja fel az alapzatról.
- ⚠ A termék külső felületeinek és a krómbevonatos részek tisztításához soha ne használjon tisztítószereket vagy klórt tartalmazó vizet. A klór korróziót okoz az ilyen fémfelületeken.
- ⚠ Ne használjon éles vagy csiszoló hatású eszközöket, szappant, háztartási tisztítószereket, mosószereket, benzint, viaszt stb., mert a műanyag részokről lekopnak a nyomtatott minták és deformációt okoznak. Tisztítsa meg meleg vízzel és egy puha ruhával, majd törölje szárazra.

A műanyag felületek védelme

- ℹ Fedetlenül ne tegyen be olajat vagy olajban sült ételeket a hűtőbe, mert az olaj kárt tesz a hűtő műanyag részeiben. Amennyiben olaj kerül a műanyag felületekre, öblítse le és tisztítsa meg az adott részt langyos vízzel.

7 A problémák javasolt megoldása

Kérjük, mielőtt kihívná a szervizt, oldassa át a következő listát. Ezzel időt és pénzt takaríthat meg. Ez a lista azon gyakran előforduló panaszokat tartalmazza, melyek nem a hibás gyártásból vagy anyagokból erednek. Az itt ismertetett tulajdonságok közül nem mindegyik található meg az Ön készülékén.

A hűtőszekrény nem működik.

- A hűtőszekrény megfelelően be van dugva? Dugja be a dugót a fali aljzatba.
- Nem olvadt le a főbiztosíték vagy annak a konnektornak a biztosítéka, melyhez a hűtőszekrényt csatlakoztatta? Ellenőrizze a biztosítékot.

Leccsapódás található a fagyasztó oldalfalán (MULTIZONE, COOL CONTROL vagy FLEXI ZONE).

- Nagyon hideg környezeti körülmények. Az ajtó gyakori kinyitása és becsukása. Magas páratartalmú környezet. Olyan nyitott edényben lévő élelmiszer tárolása, mely folyadékot tartalmaz. Nyitva hagyta az ajtót. Állítsa hidegebbre a termosztátot.
- Csökkentse az időt, amíg az ajtó nyitva van, vagy használja kevesebbszer.
- A nyitott edényben tárolt élelmiszert fedje le egy megfelelő anyaggal.
- Egy száraz ruha segítségével törölje le a leccsapódást, majd ellenőrizze, hogy a hiba továbbra is fennáll-e.

A kompresszor nem működik

- A kompresszor biztosítéka hirtelen áramkimaradások esetén kiolvadt, illetve a folyamatos árammegszakítások után a hűtőszekrény hűtő rendszere még nem került egyensúlyba. A hűtőszekrény kb. 6 perc után fog bekapcsolni. Kérjük, hívja ki a szervizt, ha a hűtőszekrény ezután sem indulna el.
- A hűtőszekrény olvasztási ciklusban van. Ez egy teljesen automatikusan olvasztó hűtőszekrény esetében természetes. Az olvasztási ciklus megadott időközönként megy végbe.
- A hűtőszekrény nincs bedugva. Győződjön meg róla, hogy a dugó megfelelően csatlakozik-e a konnektorhoz.
- Megfelelőek a hőmérséklet beállítások?
- Lehet, hogy áramszünet van.

A hűtőszekrény gyakran vagy hosszú ideig működik.

- Lehet, hogy az új hűtőszekrény szélesebb, mint az előző. Ez teljesen normális jelenség. A nagyobb hűtőszekrények hosszabb ideig működnek.
- Lehet, hogy túl magas a szobahőmérséklet. Ez teljesen normális jelenség.
- előfordulhat, hogy a hűtőszekrény nem régen lett bedugva, vagy tele lett pakolva élelmiszerrel. A hűtőszekrény lehűtése ezekben az esetekben néhány órával tovább tarthat.
- Nemrégiben nagy mennyiségű forró ételt helyezett a hűtőszekrénybe. A forró ételek hatására a hűtőszekrény tovább üzemel, míg az étel el nem éri a tárolási hőmérsékletet.
- Lehet, hogy az ajtók gyakran vagy hosszú ideig voltak kinyitva. Meleg levegő jutott a hűtőszekrénybe, melynek hatására a hűtőszekrény hosszabb ideig üzemel. Kevesebb alkalommal nyissa ki az ajtókat.
- A fagyasztó vagy a hűtő rész ajtaja lehet, hogy nyitva maradt. Ellenőrizze, hogy az ajtók megfelelően be vannak-e csukva.
- A hűtőszekrény nagyon alacsony hőmérsékletre lett állítva. Állítsa a hűtőszekrény hőmérsékletét magasabbra, és várja meg, míg eléri ezt a hőmérsékletet.
- A hűtő ajtajának szigetelése elképzelhető, hogy koszos, kopott, törött vagy nem megfelelően van behelyezve. Tisztítsa meg, vagy cserélje ki a szigetelést. A sérült/törött szigetelés hatására a tovább ideig működik annak érdekében, hogy fenn tudja tartani az aktuális hőmérsékletet.

A fagyasztó hőmérséklete túl alacsony, miközben a hűtő hőmérséklete megfelelő.

- A fagyasztó nagyon alacsony hőmérsékletre lett állítva. Állítsa a fagyasztó hőmérsékletét magasabbra, és ellenőrizze.

A hűtő hőmérséklete túl alacsony, miközben a fagyasztó hőmérséklete megfelelő.

- Lehet, hogy a hűtő nagyon alacsony hőmérsékletre lett állítva. Állítsa a hűtő hőmérsékletét magasabbra, és ellenőrizze.

A hűtő fiókjában tartott élelmiszerek magfagynak.

- Lehet, hogy a hűtő nagyon alacsony hőmérsékletre lett állítva. Állítsa a hűtő hőmérsékletét magasabbra, és ellenőrizze.

A hűtő vagy a fagyasztó hőmérséklete nagyon magas.
<ul style="list-style-type: none"> • Lehet, hogy a hűtő nagyon magas hőmérsékletre lett állítva. A hűtő hőmérséklete hatással van a fagyasztó hőmérsékletére. Módosítsa úgy a hűtő és a fagyasztó hőmérsékletét, hogy ezek elérjék a kívánt szintet. • Lehet, hogy az ajtó gyakran vagy hosszú ideig volt kinyitva; ritkábban nyitogassa az ajtót. • Lehet, hogy nyitva felejtette az ajtót; csukja be megfelelően az ajtót. • Nemrégiben nagy mennyiségű forró ételt helyezett a hűtőszekrénybe. Várjon, amíg a hűtő vagy a fagyasztó el nem éri a kívánt hőmérsékletet. • Lehet, hogy a hűtőszekrény nemrég lett bedugva. A hűtőszekrény teljes lehűtése eltart egy ideig.
A működés zaj a hűtő működése közben egyre hangosabb.
<ul style="list-style-type: none"> • A hűtőszekrény működési teljesítménye a környezeti hőmérséklet változásának függvényében változik. Ez teljesen normális, nem utal hibára.
Rezgés vagy zaj.
<ul style="list-style-type: none"> • A padló nem egyenes vagy gyenge. A hűtő a lassú mozgás miatt ad ki hangot. Győződjön meg róla, hogy a padló elég erős-e ahhoz, hogy elbírja a hűtőszekrényt. • A zajt a hűtőszekrény tetejére helyezett tárgyak is okozhatják. Távolítsa el a hűtőszekrény tetején lévő tárgyakat.
A hűtőszekrényből csöpögéshez vagy fúvásához hasonló hangot hallani.
<ul style="list-style-type: none"> • A hűtőszekrény működésének megfelelő folyadék vagy gázáramlás történik. Ez teljesen normális, nem utal hibára.
Szélfúvásához hasonló hangot hallani.
<ul style="list-style-type: none"> • A ventilátorok működnek. Ez teljesen normális, nem utal hibára.
Kondenzáció a hűtőszekrény belső falain.
<ul style="list-style-type: none"> • A meleg vagy párás levegő növeli a jégképződést és a kondenzációt. Ez teljesen normális, nem utal hibára. • Elképzelhető, hogy nyitva hagyta az ajtót; győződjön meg róla, hogy csukja be teljesen az ajtót. • Lehet, hogy az ajtó gyakran vagy hosszú ideig volt kinyitva; ritkábban nyitogassa az ajtót.
Pára jelenik meg a hűtőszekrény külső részén vagy az ajtók közt.
<ul style="list-style-type: none"> • Elképzelhető, hogy pára van a levegőben; párás időben ez teljesen normális. Ha a páratartalom kevesebb lesz, a kondenzáció eltűnik.

Kellemetlen szag érezhető a hűtőben.
<ul style="list-style-type: none"> • A hűtőszekrény belső tisztításra szorul. Egy szivacs, langyos víz vagy szóda segítségével tisztítsa meg a hűtőszekrény belső részét. • A szagot lehet, hogy az edények vagy csomagolóanyag okozza. Használjon másik edényt, vagy más gyártótól származó csomagolóanyagot.
Az ajtó nem zárul be.
<ul style="list-style-type: none"> • Az élelmiszerek csomagolásai megakadályozhatják az ajtó becsukását. Távolítsa el azokat a csomagokat, melyek akadályozzák az ajtót. • A hűtőszekrény nem áll teljesen egyenesen, és mozgatásra billeg. Állítsa be a szintbeállító csavarokat. • A padló nem egyenes vagy nem elég erős. Győződjön meg róla, hogy a padló egyenes-e, illetve elég erős-e ahhoz, hogy elbírja a hűtőszekrényt.
A rács beragadt.
<ul style="list-style-type: none"> • Az élelmiszer lehet, hogy hozzáér a fiók tetejéhez. Rendezze át az élelmiszereket a fiókban.
Ha A Termék Felülete Forró.
<ul style="list-style-type: none"> • A termék működése közben magas hőmérséklet figyelhető meg a két ajtó között, az oldalsó paneleken és a hátsó grillnél. Ez nem rendellenes jelenség és nem igényel szervizi karbantartást! Legyen óvatos, amikor megérinti ezeket a területeket.

Pirmiausia įdėmiai perskaitykite šį vadovą!

Gerbiamas pirkėjas,

Mes tikimės, kad mūsų gaminys, kuris buvo sukurtas moderniose gamyklose ir kruopščiai patikrintas pagal griežtus kokybės kontrolės reikalavimus, veiksmingai ir ilgai jums tarnaus.

Todėl mes rekomenduojame jums prieš naudojimą atidžiai perskaityti visą šio gaminio vartotojo vadovą ir išsaugoti jį, kad galėtumėte pasinaudoti juo ateityje.




Šis vadovas

- Padės jums greitai ir saugiai naudoti šį buitinį prietaisą.
- Prieš sumontuodami ir pradėdami naudoti šį gaminį, perskaitykite šį vadovą.
- Vadovaukitės nurodymais, ypač nurodymais dėl saugos.
- Laikykitės šį vadovą lengvai pasiekiamoje vietoje, nes juo dar gali tekti pasinaudoti.
- Taip pat perskaitykite ir kitus su šiuo gaminiu pateiktus dokumentus.

Atkreipkite dėmesį, kad šis vadovas gali galioti ir kitiems modeliams.

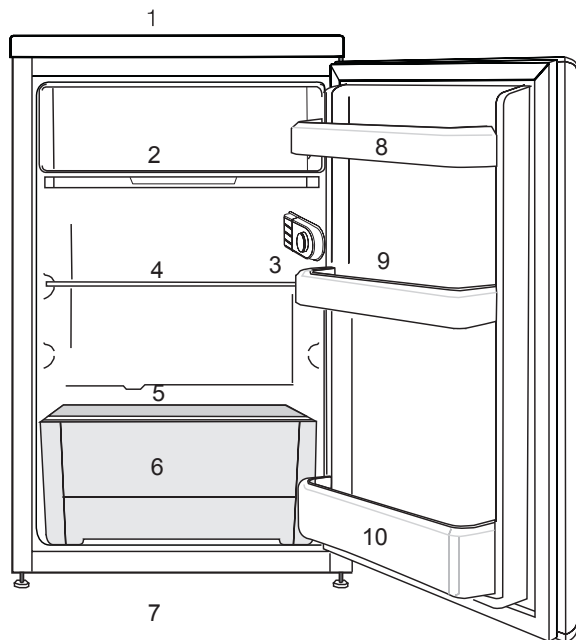
Ženkliai ir jų aprašymas

Šioje naudojimo instrukcijoje panaudoti tokie ženkliai:

-  Svarbi informacija arba naudingi patarimai dėl naudojimo.
-  Įspėjimas dėl sveikatai pavojingų arba žalos turtui galinčių padaryti sąlygų.
-  Įspėjimas dėl elektros įtampos.

1 Šaldytuvas	4	4 Sagatavošana	14
2 Svarbūs įspėjimai dėl saugos	5	5 Šaldytuvo eksploatavimas	15
Naudojimo paskirtis	5	Buitinio prietaiso atitirpdymas	16
Bendrieji saugos reikalavimai	5	Aušinimas.....	16
Gaminiam su vandens dalytuvu;..	8	Maisto saugojimas.....	16
Vaikų sauga.....	8		
WEEE Direktyvos ir senų gaminių išmetimo taisyklių atitiktis:	8	6 Techninė priežiūra ir valymas	19
RoHS direktyvos atitiktis:	9	Plastikinių paviršių apsauga	19
Informacija apie pakuotę.....	9		
HC įspėjimas	9	7 Rekomenduojami problemų sprendimo būdai	20
Jeigu gaminyje įrengta aušinimo sistema, kurioje naudojama R600a: 9			
Nepaisykite šio įspėjimo, jeigu gaminyje įrengta aušinimo sistema, kurioje naudojama R134a.	9		
Ką reikia daryti, norint sutaupyti energijos.....	9		
3 Įrengimas	10		
Į ką reikia atsižvelgti vežant šį šaldytuvą.....	10		
Prieš pradėdant naudoti šaldytuvą	10		
Elektros prijungimas.....	10		
Pakuotės išmetimas	11		
Seno šaldytuvo išmetimas	11		
Pastatymas ir instaliacija	11		
Kojelių reguliavimas	12		
Apšvietimo lempučių pakeitimas	12		

1 Šaldytuvas



- | | |
|--|---------------------------------|
| 1. Viršaus apdaila | 6. Daržovių dėtuvė |
| 2. Nusausinkite dėklą | 7. Reguliuojama priekinė kojėlė |
| 3. Vidaus apšvietimo lemputė ir termostato rankenėlė | 8. Durų lentynos |
| 4. Perkeliamos lentynos | 9. Kiaušinių dėklas |
| 5. Stalčiaus daržovėms dangtis | 10. Lentyna buteliams |




Šiame eksploataavimo vadove pateikti paveikslėliai yra orientacinio pobūdžio; gali būti, kad jie tiksliai nevaizduoja jūsų turimo gaminio. Jei jūsų turimame gaminyje nėra aprašomų dalių, tai reiškia, jog tai taikoma kitiems modeliams.

2 Svarbūs įspėjimai dėl saugos

Prašome atidžiai perskaityti toliau pateiktą informaciją. Nepaisant šios informacijos, galima susižaloti arba padaryti žalos turtui. Tuomet nebegalios jokia garantija ir gamintojo įsipareigojimai.

Originalios atsarginės dalys tiekiamos 10 metų nuo gaminio įsigijimo dienos.

Naudojimo paskirtis

	ĮSPĖJIMAS: Pasirūpinkite, Kad Ventiliacijos Angos, Esančios Prietaiso Korpusė Arba Įmontuotoje Struktūroje, Visiškai Nebūtų Užblokuotos.
	ĮSPĖJIMAS: Nenaudokite Mechaninių Ar Kitų Priemonių, Kad Paspartinumėte Atitirpinimo Procesą, Išskyrus Pagal Gamintojo Rekomendacijas.
	ĮSPĖJIMAS: Nesugadinkite Šaldymo Kontūro.
	ĮSPĖJIMAS: Elektrinių Prietaisų Nenaudokite Prietaiso Viduje Esančiuose Maisto Laikymo Skyriuose, Nebent Jie Yra Tokio Tipu, Kurį Rekomenduoja Gamintojas.

Šis prietaisas yra skirtas naudoti buitiniams ir kitoms panašiomis sąlygomis, pvz.:

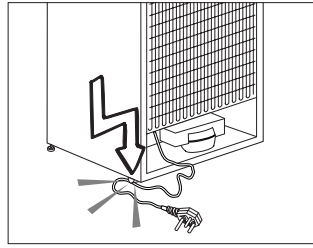
- darbuotojų virtuvėse, esančiose parduotuvėse, biuruose ir kitoje darbo aplinkoje;
- ūkių namuose ir klientams, skirtoje viešbučių, motelių ir kitoje gyvenamojoje aplinkoje;
- nakvynę su pusryčiais siūlančiose įstaigose;
- maitinimo ir panašių nemažmeninių paslaugų atveju.

Bendrieji saugos reikalavimai

- Kai šį gaminį norėsite išmesti arba atiduoti į metalo laužą, rekomenduojama pasikonsultuoti su įgaliotomis tarnybomis ir institucijomis, kad sužinotumėte reikiamą informaciją.
- Jei kyla klausimų apie šaldytuvą arba atsiranda problemų, pasikonsultuokite su įgaliotais aptarnavimo specialistais. Šaldytuvo neardykite ir niekam neleiskite to daryti; tai galima daryti tik apie tai pranešus įgaliotiems aptarnavimo specialistams.
- Gaminiam su šaldiklio kamera; Ledų ir ledo kubelių nevalgykite vos juos išėmę į šaldiklio kameros! (Galite nušalti burną.)
- Gaminiam su šaldiklio kamera; Į šaldiklio kameras nedėkite butelių ir skardinių su gėrimais. jie gali sprogti.

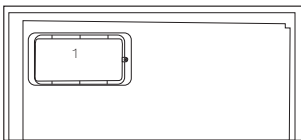
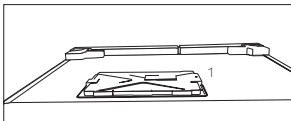
- Užšaldytų maisto produktų nelieskite rankomis – jie gali prilipti prie rankų.
- Prieš valydami arba atšildydami šaldytuvą, atjunkite jį nuo elektros tinklo.
- Šaldytuvui valyti ir šerkšnui šalinti negalima naudoti garų ir garinių valomųjų medžiagų. Garai gali pasiekti elektrines dalis ir sukelti trumpą jungimą arba elektros smūgį.
- Šaldytuvo dalių, pavyzdžiui, nuo spyrio apsaugančios plokštės arba durelių, nenaudokite kaip atramos ar laiptelio.
- Šaldytuvo viduje nenaudokite elektros prietaisų.
- Žiūrėkite, kad gręžimo ar pjovimo įrankiais nepažeistumėte dalių, kuriose cirkuliuoja aušinamasis skystis. Iš pradurtų garintuvo dujų kanalų, vamzdžių ilgintuvų arba paviršiaus dangų ištryškęs aušinamasis skystis gali suerzinti odą ir pažeisti akis.
- Jokiomis medžiagomis neuždenkite ir neužkimškite šaldytuvo ventiliacinių angų.
- Elektrinius prietaisus privalo taisyti tik įgaliotieji asmenys. Jei remontą vykdys nekompetentingi asmenys, naudotojui gali kilti pavojus.
- Įvykus trikdžiai, taip pat techninės priežiūros arba remonto metu šaldytuvui atjunkite elektros maitinimą – arba išsukite atitinkamą saugiklį, arba ištraukite prietaiso laido kištuką.
- Netraukite laikydami už laido – traukite laikydami už kištuko.
- Pasirūpinkite, kad stiprūs alkoholiniai gėrimai būtų pastatyti vertikaliaje padėtyje su užsuktu dangteliu.
- Šaldytuve niekada nelaikykite flakonų su degiomis ir sprogiomis medžiagomis.
- Norėdami paspartinti atitirpinimo procesą, nenaudokite jokių mechaninių prietaisų ar kitų priemonių, išskyrus gamintojo rekomenduojamas.
- Šis buitinis prietaisas nėra skirtas naudoti asmenims (įskaitant vaikus) su fiziniiais, jutimo ar protiniais sutrikimais arba asmenims, kurie turi nepakankamai patirties ir žinių naudoti šį prietaisą, nebent juos tinkamai prižiūrėtų (arba nurodytu, kaip naudoti šį buitinį prietaisą) už jų saugą atsakingas asmuo.
- Nenaudokite sugedusio šaldytuvo. Jeigu dėl ko nors nerimaujate, pasikonsultuokite su techninio aptarnavimo specialistais.
- Šaldytuvo elektros sauga garantuojama tik tuo atveju, jei jūsų name įrengta įžeminimo sistema atitinka standartus.
- Gaminį statyti vietoje, neapsaugotoje nuo lietaus, sniego, saulės ir vėjo, pavojinga elektros saugos požiūriu.
- Jeigu maitinimo kabelis būtų pažeistas, susisieki su įgaliotuoju techninio aptarnavimo centru, kad išvengtumėte pavojaus.

- Įrengimo metu draudžiama šaldytuvo maitinimo laido kištuką įkišti į sieninį lizdą – galite žūti arba patirti rimtą traumą.
- Šis šaldytuvas skirtas tik maisto produktams laikyti. Prietaiso negalima naudoti kitai paskirčiai.
- Etiketė, kurioje nurodomi techniniai gaminio duomenys, pritvirtinta vidinėje kairėje šaldytuvo pusėje.
- Niekada neįjunkite šio šaldytuvo į elektros energijos taupymo sistemas; jos gali sugadinti šaldytuvą.
- Jeigu šaldytuve įrengta mėlyna kontrolinė lemputė, ilgai nežiūrėkite į mėlyną šviesą plika akimi arba pro optinius prietaisus.
- Jeigu naudojate rankiniu būdu valdomą šaldytuvą, nutrūkus elektros tiekimui, prieš vėl jį įjungdami, palaukite bent 5 minutes.
- Atidavus šį gaminį kitiems, naujam gaminio savininkui reikia atiduoti ir šią naudojimo instrukciją.
- Gabendami šaldytuvą, stenkitės nepažeisti maitinimo kabelio. Sulenktas kabelis gali sukelti gaisrą. Ant maitinimo kabelio niekada nestatykite sunkių daiktų. Jungdami gaminį į maitinimo tinklą, nelieskite kištuko drėgnomis rankomis.



- Neįjunkite šaldytuvo, jeigu sieninis lizdas yra atsilaisvinęs.
- Saugumo sumetimais nepukškite vandens tiesiai ant vidinių arba išorinių šio gaminio dalių.
- Nepurškite šalia šaldytuvo degių medžiagų, pavyzdžiui, propano dujų ir pan., nes kyla gaisro ir sprogimo pavojus.
- Nestatykite ant šaldytuvo indų su vandeniu, nes gali kilti elektros smūgis arba gaisras.
- Neprikraukite į šaldytuvą per daug maisto produktų. Pridėjus per daug maisto produktų, atidarant arba uždarant šaldytuvo duris, jie gali iškristi ir sužeisti. Niekada nestatykite ant šaldytuvo daiktų, nes atidarius arba uždarius šaldytuvo dureles, jie gali nukristi.
- Šaldytuve negalima laikyti medžiagų, kurioms saugoti reikia tikslios temperatūros, pavyzdžiui, vakcinų, temperatūrai jautrių vaistų, mokslinių tyrimų medžiagų ir pan.
- Jeigu šaldytuvo ilgai nenaudojate, būtinai atjunkite jį nuo maitinimo tinklo. Dėl galimo maitinimo kabelio pažeidimo gali kilti gaisras.

- Jeigu reguliuojamos kojelės netvirtai remsis į grindis, šaldytuvas gali judėti. Pareguliuokite reguliuojamas kojeles, kad jos tinkamai remtųsi į grindis ir šaldytuvas nejudėtų.
- Nešdami šaldytuvą, nelaikykite jo už durų rankenos. Kitaip ji gali nulūžti.
- Jeigu šį gaminį reikia statyti prie kito šaldytuvo arba šaldiklio, tarp prietaisų būtina palikti bent 8 cm tarpą. Kitaip gretimos šoninės sienelės gali pradėti rasoti.
- Niekuomet nenaudokite gaminio, jei gaminio viršuje arba galinėje pusėje esantis skyrius su elektroninėmis spausdintinėmis plokštėmis viduje yra atidarytas (elektroninių spausdintinių plokščių dangtis) (1).



Gaminiams su vandens dalytuvu;

- Slėgis šalto vandens įvade neturi viršyti 90 psi (620 kPa). Jei slėgis jūsų vandens sistemoje viršija 80 psi (550 kPa), joje turi būti sumontuotas slėgio ribojimo vožtuvas.

- Jei nežinote, kaip patikrinti vandens slėgį, kreipkitės į santechnikos specialistą.
- Jeigu jūsų vandentiekio sistemoje kyla hidraulinių smūgių pavojus, visada privalote naudoti apsaugos nuo hidraulinių smūgių įrangą. Pasitarkite su santechnikos specialistu, jeigu nesate užtikrinti, kad jūsų vandentiekio sistemoje nėra hidraulinių smūgių pavojaus.
- Negalima montuoti karšto vandens įvade. Saugokite žarnas nuo užšalimo. Darbinė vandens temperatūra turi būti nuo 33 °F (0,6 °C) iki 100 °F (38 °C).
- Naudokite tik geriamąjį vandenį.

Vaikų sauga

- Jeigu durelės rakinamos spyna, laikykite raktą vaikams nepasiekiamoje vietoje.
- Privaloma prižiūrėti mažus vaikus, kad jie nežaistų su šiuo buitiniu prietaisu.

WEEE Direktyvos ir senų gaminių išmetimo taisyklių atitikties:



Šis gaminys atitinka ES WEEE Direktyvą (2012/19/ES). Šis gaminys paženklintas elektros ir elektroninės įrangos klasifikavimo (WEEE) ženklu.

Šis gaminys pagamintas iš aukštos kokybės medžiagų ir dalių, kurias galima perdirbti ir pakartotinai panaudoti. Pasibaigus gaminio tarnavimo laikui, neišmeskite jo kartu su įprastomis buitinėmis atliekomis.

Atiduokite jį į surinkimo punktą, kad elektros ir elektronikos įranga būtų perdirbta. Surinkimo punktų adresus sužinosite vietos savivaldybėje.

RoHS direktyvos atitikties:

Jūsų įsigytas gaminys atitinka ES RoHS Direktyvą (2011/65/ES). Jame nėra šioje Direktyvoje nurodytų kenksmingų ir draudžiamų medžiagų.

Informacija apie pakuotę

Šio gaminio pakavimo medžiagos pagamintos iš pakartotinai panaudojamų medžiagų, atsižvelgiant į mūsų nacionalinius aplinkosaugos reglamentus. Neišmeskite pakavimo medžiagų kartu su kitomis buitinėmis atliekomis arba kitomis šiukšlėmis. Išmeskite pakavimo medžiagas į tam skirtą vietos atliekų surinkimo punktą.

HC įspėjimas

Jeigu gaminyje įrengta aušinimo sistema, kurioje naudojama R600a:

Šios dujos lengvai užsiliepsnoja. Todėl būkite atsargūs, kad eksploataavimo ir transportavimo metu nepažeistumėte aušinimo sistemos ir vamzdžių.

Pažeidimo atveju, saugokite gaminį nuo galimų liepsnos šaltinių, nuo kurių gaminys galėtų užsidegti, ir vėdinkite patalpą, kurioje stovi šis prietaisas.

Nepaisykite šio įspėjimo, jeigu gaminyje įrengta aušinimo sistema, kurioje naudojama R134a.

Gaminyje naudojamų dujų rūšis nurodyta techninių gaminio duomenų etiketėje, kuri yra pritvirtinta vidinėje kairėje šaldytuvo pusėje.

Niekuomet nedeginkite šio buitinio prietaiso.

Ką reikia daryti, norint sutaupyti energijos

- Nelaikykite šaldytuvo durelių atidarytų ilgą laiką.
- Į šaldytuvą nedėkite karšto maisto arba gėrimų.
- Į šaldytuvą nedėkite pernelyg daug maisto produktų, kad nebūtų kliudoma viduje cirkuliuoti orui.
- Šaldytuvo nestatykite vietoje, kur šviečia tiesioginiai saulės spinduliai arba arti šilumą skleidžiančių prietaisų, pavyzdžiui, orkaitių, indaplovių arba radiatorių.
- Maisto produktus laikykite uždaruose induose.
- Gaminiuose su šaldymo kamera; išėmę šaldiklio lentyną arba stalčių, šaldiklio kameroje galite laikyti maksimalų produktų kiekį. Paskelbtosios šaldytuvo energijos sąnaudos nustatytos išėmus šaldiklio kameros lentyną arba ištraukus stalčių ir sudėjus maksimalų leistiną produktų kiekį. Ant lentynos arba stalčiuje galima saugiai laikyti užšaldyti skirtus produktus, atsižvelgiant į jų formą ir dydį.
- Atšildant šaldytus maisto produktus šaldytuvo skyriuje, bus ir taupoma energija, ir išsaugoma maisto kokybė.

3 Įrengimas

⚠ Prašom atkreipti dėmesį, kad gamintojas nepriima atsakomybės, jei bus nepaisoma šiame eksploatavimo vadove pateiktos informacijos.

Į ką reikia atsižvelgti vežant šį šaldytuvą

1. Prieš šaldytuvą transportuojant, jį reikia ištuštinti ir išvalyti.
2. Prieš šaldytuvą supakuojant, jame esančias lentynas, papildomas dalis, daržovių dėtuves ir kt. būtina sutvirtinti lipnia juosta, kad šios dalys nesikratytų.
3. Pakuotės medžiagas būtina sutvirtinti storomis juostomis ir tvirtomis virvėmis; būtina paaisyti ant pakuotės pateiktų transportavimo instrukcijų.

Atminkite...

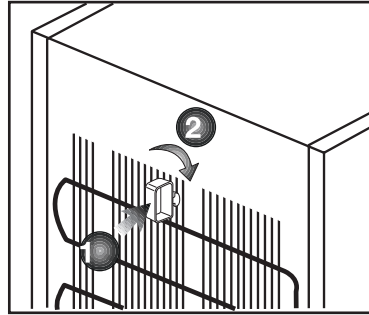
Visų medžiagų perdirbimas turi didelės įtakos tausojant gamtos ir mūsų šalies išteklius.

Jei pakavimo medžiagas norite atiduoti perdirbti, kreipkitės į aplinkosaugos institucijas arba vietos valdžios įstaigas, kur jums bus suteikta daugiau informacijos.

Prieš pradėdami naudoti šaldytuvą

Prieš pradėdami naudoti buitinį prietaisą, patikrinkite, ar:

1. Šaldytuvo vidus yra sausas, o galinėje dalyje oras laisvai cirkuliuoja?
2. Galite sumontuoti 2 plastikinius pleištus, kaip parodyta paveikslėlyje. Platsmasiniai pleištai užtikrins, kad šaldytuvas būtų pastatytas tinkamu atstumu nuo sienos, ir už jo galėtų laisvai cirkuliuoti oras. (Pateiktas paveikslėlis tėra pavyzdys, kuris nebūtinai tiksliai atitinka jūsų įsigyta



- gaminį.)
3. Vidų valykite vadovaudamiesi nurodymais, pateiktais skyriuje „Techninė priežiūra ir valymas“.
 4. Pradėjus veikti kompresoriui, išgirsite nestiprius garsus. Ar kompresorius veikia, ar ne, šaldytuvo sistemoje hermetiškai uždarytas skystis ir dujos taip pat gali kelti silpnus garsus – tai visiškai normalu.
 5. Priekiniai šaldytuvo kraštai gali įšilti. Tai normalu. Šios vietos turi būti šiltos tam, kad nesusidarytų kondensacija.

Elektros prijungimas

Prijunkite gaminį prie įžeminto lizdo su tinkamos kategorijos saugikliu.

Svarbu

- Elektros prijungimą būtina atlikti atsižvelgiant į savo šalies reglamentus.
 - Atlikus elektros instaliaciją, maitinimo laido kištukas turi būti lengvai pasiekiamas.
 - Nurodytas įtampos stiprumas turi būti toks pat, kaip ir maitinimo tinklo įtampos stiprumas.
 - Prijungimui negalima naudoti ilginimo laidų ir daugiaskylių kištukų.
- ⚠ Pažeistą maitinimo laidą privalo pakeisti kvalifikuotas elektrikas.

⚠ Negalima naudoti buitinio prietaiso, kol nebus pataisytas jo laidas! Kyla elektros smūgio pavojus!

Pakuotės išmetimas

Pakavimo medžiagos gali kelti pavojų vaikams. Laikykite pakavimo medžiagas vaikams nepasiekiamoje vietoje arba išmeskite jas, išrūšiuodami pagal atliekų rūšiavimo nurodymus. Neišmeskite pakavimo medžiagų kartu su kitomis buitinėmis atliekomis.

Šaldytuvo pakavimo medžiagos yra pagamintos iš pakartotinai panaudojamų medžiagų.

Seno šaldytuvo išmetimas

Seną šaldytuvą išmeskite taip, kad nebūtų daroma žala aplinkai.

- Kaip išmesti šį šaldytuvą, galite sužinoti iš savo įgaliotojo pardavimo atstovo arba savo savivaldybės atliekų surinkimo punkte.

Prieš išmesdami šaldytuvą, nupjaukite elektros kištuką ir, jei durys turi kokių nors užraktų, sugadinkite juos, kad nekiltų pavojų vaikams.

Pastatymas ir instaliacija

⚠ Jei patalpos, kurioje bus įrengiamas šaldytuvus, įėjimas nėra pakankamai platus, kad pro jį būtų galima įnešti šaldytuvą, iškvieskite įgaliotus aptarnavimo darbuotojus, kad jie nuimtų šaldytuvo dureles ir jį pro įėjimą įneštų šonu.

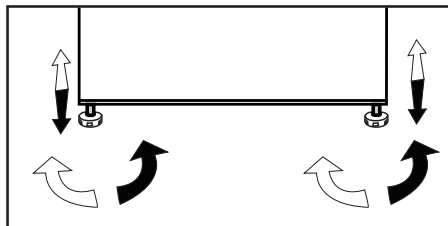
1. Šaldytuvą įrenkite tokioje vietoje, kur jį būtų lengva eksploatuoti.
2. Šaldytuvą statykite atokiai nuo šilumos šaltinių, drėgnų vietų ir tiesioginių saulės spindulių.

3. Tam, kad šaldytuvus efektyviai veiktų, aplink jį turi būti tinkama oro ventilacija. Jei šaldytuvą reikia statyti sienos nišoje, nuo šaldytuvo iki lubų ir iki sienų turi būti mažiausiai 5 cm tarpas. Jei ant grindų patiestas kilimas, šį gaminį virš grindų būtina pakelti 2,5 cm.

4. Tam, kad nekiltų vibracija, šaldytuvą statykite ant lygaus grindų paviršiaus.

Kojelių reguliavimas

Jei šaldytuvas stovi nelygiai, jį galite išlyginti sukdami priekines kojeles, kaip pavaizduota toliau esančiame paveikslėlyje. Kampas, kurioje yra kojelė, nuleidžiamas kojelę sukant juodos rodyklės kryptimi ir pakeliamas kojelę sukant priešinga kryptimi. Šį darbą atlikti bus lengviau, jei ką nors pasikviesite į pagalbą, kad šiek tiek kilstelėtų šaldytuvą.



Apšvietimo lemputės pakeitimas

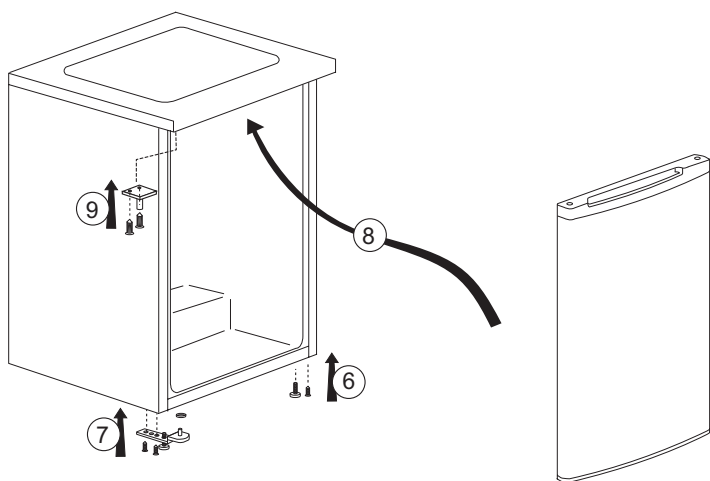
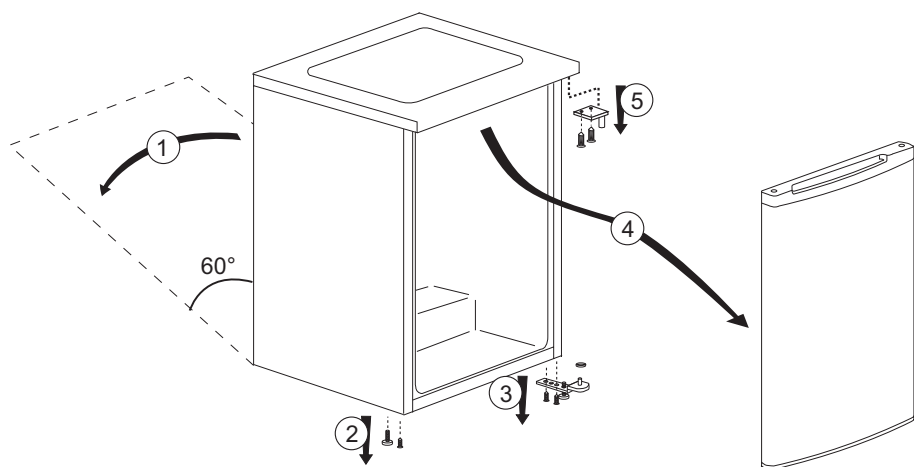
Jei reikia pakeisti šaldytuvo apšvietimo lemputę, susisiekiate su artimiausia įgaliojama techninio aptarnavimo tarnyba.

Šajā ierīcē izmantotā lampa nav piemērota istabu apgaismojumam. Šīs lampas mērķis ir padarīt pārtikas produktu ievietošanu ledusskapī/ saldētavā drošu un ērtu.

Šajā ierīcē izmantotajām lampām ir jāspēj funkcionēt ekstrēmās fiziskos apstākļos, piemēram, temperatūrā, kas nepārsniedz $-20\text{ }^{\circ}\text{C}$.

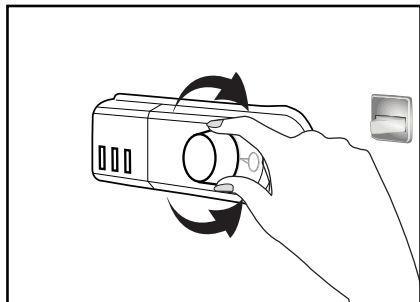
Durų perstatymas

Veiksmus atlikite paeiliui pagal numerį

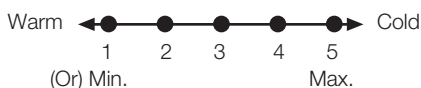


- Ledusskapis ir uzstādāms vismaz 30 cm attālumā no karstuma avotiem, piemēram, radiatoriem, sildītājiem, centrālāpkures un krāsnīm, un vismaz 5 cm attālumā no elektriskajām krāsnīm, un to nedrīkst novietot tiešā saules gaismā.
- Ledusskapja uzstādīšanas istabas temperatūrai ir jābūt vismaz 5° C. Ledusskapja darbināšana vēsākos apstākļos nav ieteicama saistībā ar tā efektivitāti.
- Lūdzu, pārliecinieties, ka ledusskapja iekšpuse ir rūpīgi iztīrīta.
- Ja ir jāuzstāda divi blakus esoši ledusskapji, starp tiem jānodrošina vismaz 2 cm atstarpe.
- Kad ledusskapis tiek iedarbināts pirmo reizi, lūdzu, ievērojiet šīs instrukcijas pirmo sešu darbības stundu laikā.
- Durvis nevajadzētu atvērt pārāk bieži.
- Darbināšanu vajadzētu veikt bez ievietotas pārtikas.
- Neatvienojiet ledusskapi no strāvas avota. Elektroapgādes traucējumu gadījumā, lūdzu, skatiet brīdinājumus nodaļā “Ieteicamie problēmu risinājumi”.
- Oriģinālo iepakojumu un putuplastu vajadzētu saglabāt transportēšanai vai pārvietošanai nākotnē.
- Dažiem modeļiem instrumentu panelis automātiski izslēdzas 5 minūšu laikā pēc durvju aizvēršanas. Tas no jauna aktivizēsies, atverot durvis vai nospiežot jebkuru pogu.
- Dēļ temperatūros pokyčių atidarant / uždariant veikiančio gaminio dureles, ant durelių / korpuso lentynų ir stiklo indelių gali susidaryti kondensatas, ir tai yra normalu.

5 Šaldytuvo eksploatavimas



Veikimo temperatūrą reguliuoja temperatūros valdiklis.



1 = mažiausio šaldymo nuostata (šilčiausios temperatūros nuostata)

5 = didžiausio šaldymo nuostata (šalčiausios temperatūros nuostata)

(arba)

Min. = žemiausia aušinimo nuostata

(šilčiausios temperatūros nuostata)

Max. = aukščiausia aušinimo nuostata

(šalčiausios temperatūros nuostata)

Vidutinė temperatūra šaldytuvo viduje turėtų būti maždaug +5 °C.

Nuostatą pasirinkite pagal pageidaujamą temperatūrą.

Prietaiso veikimą išjungsite termostato rankenėlę pasukę į padėtį „0“.

Įsidėmėkite, kad šaldymo srityje bus skirtingos temperatūros.

Šalčiausia sritis yra iš karto virš daržovių skyriaus.

Vidaus temperatūra taip pat priklauso nuo aplinkos temperatūros, durelių atidarinėjimo dažnio ir viduje laikomo maisto kiekio.

Dažnai atidarinėjant dureles vidaus temperatūra kyla.

Dėl šios priežasties rekomenduojama uždaryti dureles kaip įmanoma greičiau po naudojimo.

Šalčiausia sritis yra iš karto po ledukų gaminimo skyriumi.

Esant didelei drėgmei, šaldytuve gali susidaryti kondensatas; tai nėra gedimas. Jį galima iššluostyti sausu skudurėliu kaip nurodyta saugos instrukcijoje. Ledo dėžės skyriuje ir vandens išleidimo inde gali būti ledo, šerkšno bei kondensato.

Buitinio prietaiso atitirpdymas

Jei prietaise susikaups pernelyg daug ledo, jis gali pradėti prasčiau vėsinti. Todėl rekomenduojama maziausiai du kartus per metus arba ledo sankaupoms viršijus 7 mm prietaisą atšildyti.

Prietaisą atšildykite tik tada, kai jame yra mažai maisto produktų arba jų visiškai nėra.

Išimkite maistą. Suvyniokite maisto produktus į kelis popieriaus sluoksnius arba antklodę ir juos laikykite vėsioje vietoje.

Iš traukite prietaiso laido kištuką arba išjunkite arba išimkite saugiklius, kad pradėtųmėte atšildymo procesą.

Iš prietaiso išimkite priedus (lentynas, stalčius ir kt.); naudokite tinkamą indą vandeniui surinkti.

Jei reikia, į skyrius nutekantį vandenį sugerkite kempine arba minkštu skudurėliu.

Atšildymo metu duris palikite atidarytas.

Atšildymas vyks greičiau, jei į prietaisą įdėsite kelis indus su šiltu vandeniu.

Ledui pašalinti niekada nenaudokite elektros prietaisų, atšildymo purškalo, smailių arba aštrių daiktų, pavyzdžiui, peilių ar šakučių.

Prietaisui atitirpus, išvalykite jo vidų.

Prietaisą vėl prijunkite prie elektros tinklo. Užšaldytus maisto produktus sudėkite į stalčius ir juos sukiškite į šaldiklį.

Norėdami pradėti atitirpdyimo procesą, saugumo sumetimais išjunkite elektros grandinės pertraukiklį ir atjunkite prietaisą nuo elektros tinklo.

Atitirpinimo metu garinimo dėklo sklendė privalo būti nustatyta ties žiemos režimo padėtimi. Pabaigus atitirpinimą, ją atitinkamai galima nustatyti arba ties vasaros, arba ties žiemos režimo padėtimi.

Aušinimas Maisto saugojimas

Šaldytuvo skyrius skirtas trumpam šviežio maisto ir gėrimų saugojimui.

Pieno produktus laikykite atskirame šaldytuvo skyriuje.

Butelius galite laikyti butelių laikiklyje arba durelėse esančioje butelių lentynoje.

Žalią mėsą geriausia laikyti polietiliniame maišelyje, pačioje žemiausioje šaldytuvo lentynoje.

Prieš dėdami maisto produktus ir gėrimus į šaldytuvą, ataušinkite juos iki kambario temperatūros.

- **Dėmesio**

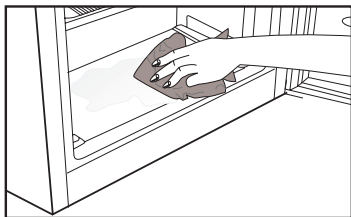
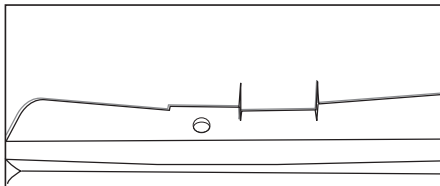
Koncentruotą alkoholį laikykite tik stipriai uždengtame, stovinčiame inde.

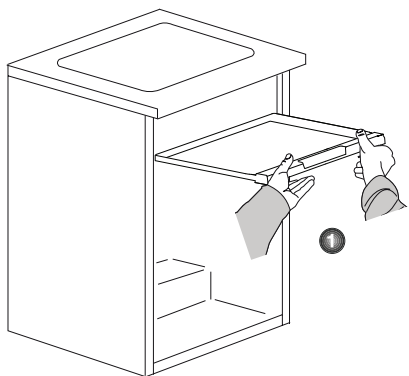
- **Dėmesio**

Prietaise nelaikykite sprogančių medžiagų arba taros su degiasiomis sprogančiomis dujomis (kremo skardinėse, purškalo skardinių ir taip toliau).

Kyla sprogo pavojus.

Pavaizduota atsvara tankiais galais yra dizaino dalis; ji neturi poveikio aušinimo sistemai.

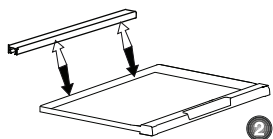




Privaloma naudoti garinimo dėklą sklendę kaip aprašyta toliau, kad būtų palaikoma norima skyriaus temperatūra pagal esamą aplinkos oro temperatūrą, pavyzdžiui, žiemos režimą naudoti esant žemai aplinkos oro temperatūrai, o vasaros – aukštai aplinkos oro temperatūrai.

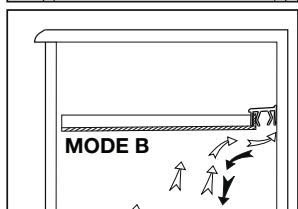
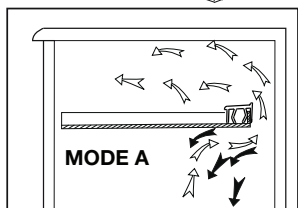
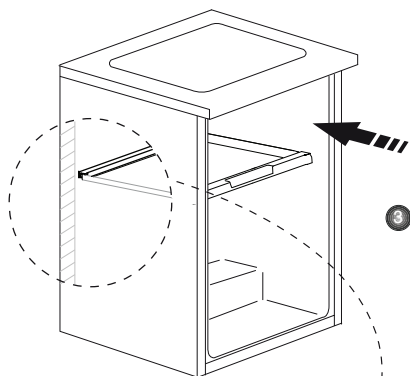
VASAROS REŽIMAS

(Kai skyriuje reikia žemesnės temperatūros.)



ŽIEMOS REŽIMAS

(Kai skyriuje reikia aukštesnės temperatūros.)



6 Techninė priežiūra ir valymas

- ⚠ Valymui niekada nenaudokite benzino, benzolo arba panašių medžiagų.
- ⚠ Prieš valymą rekomenduojama išjungti buitinį prietaisą iš maitinimo tinklo.
- ℹ Valymui niekada nenaudokite aštrių abrazyvinių įrankių, muilo, buitinio valiklio, skalbimo priemonių ar vaško poliravimui.
- ℹ Ne „Be šerkšno“ tipo gaminiuose šaldytuvui vėstant, ant vidinės galinės šaldytuvo skyriaus sienelės gali susidaryti vandens lašų ir šerkšnas. Nevalykite jo, niekuomet netepkite aliejumi ar panašiomis medžiagomis.
- ℹ Tik šiek tiek drėgnu mikropluošto audiniu valykite gaminio išorinę. Kempinėmis ar kitokiais valymo audiniais galite subraižyti paviršių.
- ℹ Buitinio prietaiso skyrių nuvalykite drungnu vandeniu, o po to sausai iššluostykite.
- ℹ Šaldytuvo vidui valyti naudokite drėgną nuspaustą skudurėlį, sudrėkintą tirpale, pagamintame ištirpinus vieną arbatinį šaukštelį sodos (bikarbonato) vienoje pintoje (0,57 litro) vandens; po to sausai iššluostykite.
- ⚠ Žiūrėkite, kad į lemputės korpusą ir kitus elektros elementus nepatektų vandens.
- ⚠ Jeigu ketinate ilgam nenaudoti buitinio prietaiso, išjunkite jį ir išimkite visą maistą, išvalykite jį ir palikite dureles pravertas.
- ℹ Reguliariai patikrinkite, ar durelių tarpikliai yra švarūs ir ant jų nėra maisto dalelių.
- ℹ Norėdami ištraukti durelių lentynas, išimkite visus daiktus ir po to paprasčiausiai patraukite durelių lentyną į viršų nuo pagrindo.
- ℹ Valydami išorinius prietaiso paviršius bei chromu padengtas dalis, niekada nenaudokite valymo medžiagų ar vandens su chloru. Chloras sukelia tokių metalinių paviršių koroziją.
- ℹ Nenaudokite aštrių, braižančių įrankių, muilo, buitinių valiklių, ploviklių, žibalo, degalų alyvos, lako ir pan., kad nesideformuotų ir nenusiluptų dažų sluoksnis nuo plastikinių dalių. Nuvalykite su drungnu vandeniu ir minkšta šluoste ir sausai nušluostykite.

Plastikinių paviršių apsauga

- ℹ Į šaldytuvą nedėkite skysto aliejaus ar aliejuje virto maisto neuždarytuose induose, nes tokie produktai pažeis šaldytuvo plastikinius paviršius. Jei aliejus išsilieja ant plastikinių paviršių arba juos sutepa, užterštą vietą iš karto nuvalykite ir nuplaukite šiltu vandeniu.

7 Rekomenduojami problemų sprendimo būdai

Prieš kreipdamiesi į aptarnavimo tarnybą, prašom peržiūrėti šį sąrašą. Taip sutaupysite laiko ir pinigų. Šiame sąraše pateikiamos dažniausiai pasitaikančios problemos, kurios nėra susijusios su pagaminimo arba naudojamų medžiagų broku. Kai kurių čia aprašytų funkcijų jūsų įsigytame gaminyje gali nebūti.

Šaldytuvas neveikia.

- Ar tinkamai įkištas šaldytuvo laido kištukas? Įkiškite kištuką į sieninį lizdą.
- Ar neperdegė lizdo, į kurį yra įjungtas šaldytuvas, saugiklis arba maitinimo tinklo saugiklis? Patikrinkite saugiklį.

Kondensacija ant šaldytuvo skyriaus šoninių sienų. (MULTI ZONE, COOL CONTROL ir FLEXI ZONE)

- Labai žema aplinkos temperatūra. Dažnai atidaromos ir uždaromos durelės. Didelis aplinkos drėgnumas. Neuždarytuose induose laikomi skysti maisto produktai. Durelės buvo paliktos atidarytos.
- Nustatykite žemesnę termostato temperatūrą.
- Trumpiau laikykite dureles atviras arba jas rečiau darinkite.
- Tinkamomis medžiagomis uždenkite atviruose induose laikomus maisto produktus.
- Susidariusius lašelius nuvalykite sausu skudurėliu ir patikrinkite, ar jie vėl susidaro.

Neveikia kompresorius.

- Įvykus staigiam energijos tiekimo pertrūkiui, iššoks kompresoriaus terminis saugiklis, arba, jei šaldytuvo slėgis aušinamojoje sistemoje nesubalansuotas, įsijungia išjungiklis.
- Šaldytuvas pradės veikti maždaug po 6 minučių. Jei praėjus šiam periodui šaldytuvas neįsijungia, kreipkitės į aptarnavimo tarnybą.
- Vyksta aldytuvo atsildymo ciklas. Tai normalus visikai automatinio atsildymo aldytuvo veikimas. Atsildymo ciklas vyksta periodikai.
- Šaldytuvo laido kištukas neįkištas į lizdą. Patikrinkite, ar kištukas gerai įkištas į sieninį lizdą.
- Ar nustatyta teisinga temperatūra? Įvyko energijos tiekimo pertrūkis. Kreipkitės į elektros tiekimo įmonę.

Šaldytuvas dažnai įsijungia arba ilgą laiką veikia.

<ul style="list-style-type: none"> • Gali būti, kad jūsų naujasis šaldytuvus platesnis už ankstesnįjį. Tai visiškai normalu Dideli šaldytuvai veikia ilgesnį laiką. • Gali būti, kad patalpoje yra aukšta temperatūra. Tai visiškai normalu. • Gali būti, kad šaldytuvus neseniai prijungtas arba į jį neseniai sudėta maisto produktų. Visiškas šaldytuvo atvėsimas gali trukti pora valandų ilgiau. • Gali būti, kad į šaldytuvą neseniai įdėta daug karštų maisto produktų. Įdėjus karštų maisto produktų, šaldytuvus veikia ilgiau, t.y. tol, kol produktai atvėsinami iki saugaus laikymo temperatūros. • Gali būti, kad buvo dažnai atidarinėjamos durelės arba jos buvo ilgą laiką paliktos atidarytos. Į šaldytuvą pateko šilto oro, todėl šaldytuvus ilgiau veikia. Rečiau atidarinėkite dureles. • Gali būti, kad šaldiklio arba šaldytuvo skyriaus durelės buvo paliktos atidarytos. Patikrinkite, ar gerai uždarėte dureles. • Šaldytuve nustatyta labai žema temperatūra. Nustatykite aukštesnę šaldytuvo temperatūrą ir palaukite, kol ši temperatūra bus pasiekta. • Gali būti, kad užsiteršė, susidėvėjo, buvo pažeistas arba blogai priglunda šaldytuvo arba šaldiklio durelių tarpiklis. Tarpikį nuvalykite arba pakeiskite. Dėl pažeisto tarpiklio šaldytuvus ilgiau veikia, kad būtų palaikoma esama temperatūra.
<p>Šaldiklio temperatūra labai žema, tačiau šaldytuvo skyriaus temperatūra normali.</p>
<ul style="list-style-type: none"> • Šaldiklyje nustatyta labai žema temperatūra. Nustatykite aukštesnę šaldiklio temperatūrą ir patikrinkite.
<p>Šaldytuvo temperatūra labai žema, tačiau šaldiklio skyriaus temperatūra normali.</p>
<ul style="list-style-type: none"> • Šaldytuve nustatyta labai žema temperatūra. Nustatykite aukštesnę šaldytuvo temperatūrą ir patikrinkite.

<p>Šaldytuvo skyriaus stalčiuose laikomi maisto produktai sušąla.</p>
<ul style="list-style-type: none"> • Šaldytuve nustatyta labai žema temperatūra. Nustatykite aukštesnę šaldytuvo temperatūrą ir patikrinkite.
<p>Temperatūra šaldytuve arba šaldiklyje labai aukšta.</p>
<ul style="list-style-type: none"> • Šaldytuve nustatyta labai aukšta temperatūra. Šaldytuvo temperatūros nuostata daro poveikį šaldiklio temperatūrai. Nustatykite tokią šaldytuvo arba šaldiklio temperatūrą, kad ji būtų reikiamo lygio. • Gali būti, kad durelės paliktos atidarytos. Dureles gerai uždarykite. • Gali būti, kad į šaldytuvą neseniai įdėta daug karštų maisto produktų. Palaukite, kol šaldytuve arba šaldiklyje bus pasiekta norima temperatūra. • Gali būti, kad šaldytuvus neseniai buvo prijungtas. Šaldytuvus yra didelis, todėl jis visiškai atvėsta praėjus tam tikram laikui.
<p>Iš šaldytuvo sklinda garsai, primenantys mechaninio laikrodžio sekundžių tiksėjimą.</p>
<ul style="list-style-type: none"> • Šį garsą skleidžia šaldytuvo solenoidinis vožtuvas. Solenoidinio vožtuvo funkcija - užtikrinti, kad šaldytuvo skyriuje cirkuliuotų aušinimo skystis; šis vožtuvas leidžia nustatyti aušinimą arba šaldymą bei vykdyti aušinimo funkcijas. Tai visiškai normalu ir nėra gedimas.
<p>Šaldytuvui pradėjus veikti, jis veikia triukšmingai.</p>
<ul style="list-style-type: none"> • Šio šaldytumo darbo našumo savybės gali kisti, priklausomai nuo aplinkos temperatūros pokyčių. Tai normalu ir nėra gedimas.

Vibracija arba triukmas.
<ul style="list-style-type: none"> • Nelygios arba silpnos grindys. Šaldytuvas lėtai judinamas linguoja. Grindys turi būti lygios, pakankamai tvirtos, kad išlaikytų šaldytuvą. • Triukšmą gali kelti ant šaldytuvo sudėti daiktai. Tokius daiktus reikėtų nuimti nuo šaldytuvo viršaus.
Garsai, panašūs į skysčio ištekėjimą arba purškimą.
<ul style="list-style-type: none"> • Šaldytuvas veikia jo viduje cirkuliuojant skysčio ir dujų srautams. Tai normalu ir nėra gedimas.
Girdimas garsas, kyg vėjas pūstų.
<ul style="list-style-type: none"> • Norint, kad šaldytuvas veiksmingai šaldytų, jame naudojami oro srauto aktyvkliai (ventiliatoriai). Tai normalu ir nėra gedimas.
Kondensacija ant vidinių šaldytuvo sienų.
<ul style="list-style-type: none"> • Apledėjimas ir kondensacija didėja esant karštam ir drėgnam orui. Tai normalu ir nėra gedimas. • Atidarytos durelės. Patikrinkite, ar visiškai uždarėte šaldytuvo duris. • Gali būti, kad durelės buvo dažnai darinėjamos arba jos ilgą laiką buvo paliktos atidarytos. Rečiau atidarinkite dureles.
Ant šaldytuvo išorės arba tarp durelių susidaro drėgmės.
<ul style="list-style-type: none"> • Gali būti, kad oras labai drėgnas. Esant drėgnam orui tai visiškai normalu. Sumažėjus drėgnumui, kondensacija nesusidarys.
Šaldytuve sklinda prastas kvapas.
<ul style="list-style-type: none"> • Reikia išvalyti šaldytuvo vidų. Šaldytuvo vidų išvalykite naudodami kempinę, šiltą arba prisotintą angliarūgštės vandenį. • Gali būti, kad kvapą išskiria kai kurie indai arba pakuotės medžiagos. Naudokite kitą indą arba kitokios rūšies pakavimo medžiagą.

Durelės neužsidaro.
<ul style="list-style-type: none"> • Gali būti, kad durims neleidžia užsidaryti maisto produktų pakuotės. Pakuotes, kurios trukdo durelėms užsidaryti, padėkite į kitą vietą. • Gali būti, kad šaldytuvas nelygiai stovi ant grindų, todėl nesmarkiai jį stumtelėjus, jis gali judėti. Sureguliuokite aukščio reguliavimo varžtus. • Nelygios arba netvirtos grindys. Grindys turi būti lygios ir pakankamai tvirtos, kad išlaikytų šaldytuvą.
Užstringa stalčiai.
<ul style="list-style-type: none"> • Gali būti, kad maisto produktai liečia stalčiaus stogą. Pertvarkykite stalčiuje esančius maisto produktus.
Jeį Gaminio Paviršius Yra Karštas.
<ul style="list-style-type: none"> • Gaminiai veikiant sritis tarp dviejų durelių, šonai ir galinės grotelės gali įkaisti. Tai normalu ir nereikalauja atlikti techninės priežiūros!

Lūdzu, vispirms izlasiet šo rokasgrāmatu!

Cienījamais pircēj!

Ceram, ka jūsu produkts, kas ražots modernās rūpnīcās un pārbaudīts ļoti pedantiskas kvalitātes kontroles procedūras laikā, nodrošinās efektīvu darbību.

Tādēļ mēs vēlētos ieteikt pirms produkta izmantošanas rūpīgi izlasīt visu rokasgrāmatu un turēt to ērti pieejamā vietā, lai vienmēr varētu tajā ieskatīties.

Šī rokasgrāmata

- Palīdzēs ātri un droši lietot iekārtu.
- Izlasiet šo rokasgrāmatu pirms produkta uzstādīšanas un izmantošanas.
- Ievērojiet norādījumus, it īpaši tos, kas saistīti ar drošību.
- Turiet šo rokasgrāmatu viegli pieejamā vietā, jo jums tā var būt nepieciešama vēlāk.

• Izlasiet arī citus kopā ar produktu saņemtus dokumentus.

Lūdzu, atcerieties, ka šī rokasgrāmata var attiekties arī uz citiem modeļiem.

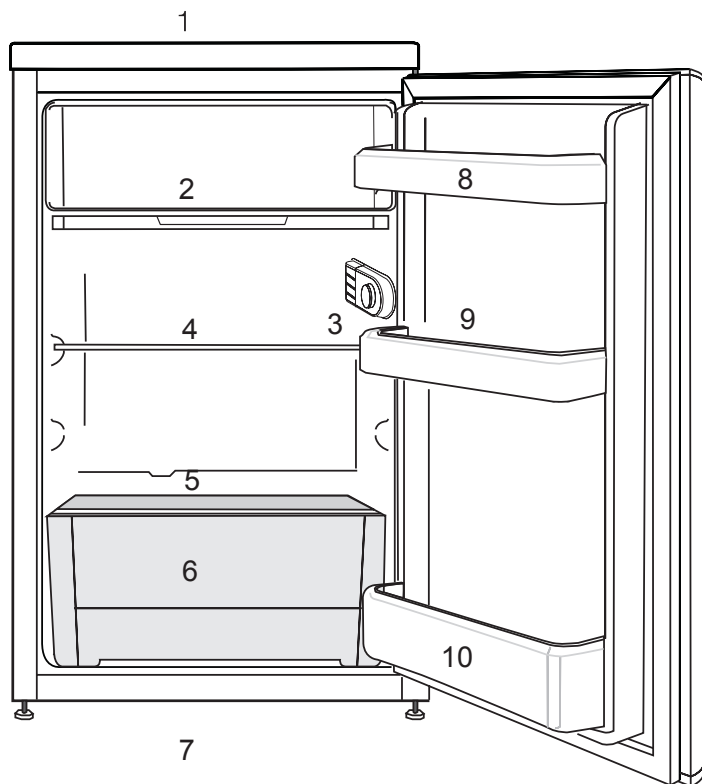
Simboli un to apraksti

Šajā rokasgrāmatā redzami šādi simboli:

- ⓘ Svarīga informācija vai noderīgi padomi par izmantošanu.
- ⚠ Brīdinājums par dzīvībai un īpašumam bīstamiem apstākļiem.
- ⚡ Brīdinājums par elektrisko spriegumu.

1 Jūsu ledusskapis	4	4 Sagatavošana	15
2 Svarīgi brīdinājumi par drošību	5	5 Ledusskapja izmantošana	16
Paredzētā lietošana.....	5	Iekārtas atļaidināšana	16
Vispārējā drošība	5	Atdzesēšana.....	17
Piezīme par iekārtām ar ūdens automātu;.....	8	Pārtikas uzglabāšana.....	17
Bērnu drošība.....	9	6 Apkope un tīrīšana	19
Atbilstība EEIA direktīvai un atkritumu pārstrāde	9	Plastmasas virsmu aizsargāšana	19
Atbilstība direktīvai par bīstamo vielu ierobežošanu elektroniskajā un elektriskajā aprīkojumā.....	9	7 Ieteicamie problēmu risinājumi	20
Informācija par iepakojumu.....	9		
Brīdinājums par HC	9		
Kas darāms, lai ietaupītu enerģiju	10		
3 Uzstādīšana	11		
Lietas, kas jāapsver, atkārtoti pārvietojot ledusskapi	11		
Pirms ledusskapja izmantošanas.....	11		
Pievienošana elektrotīklam.....	12		
Atbrīvošanās no iepakojuma	12		
Atbrīvošanās no vecā ledusskapja ...	12		
Novietošana un uzstādīšana	12		
Kājiņu noregulēšana	13		
Apgaismojuma lampas nomaina	13		
Durvju ievietošana otrādi.....	14		

1 Jūsu ledusskapis



- | | |
|--|--------------------------------|
| 1. Top Apdare | 6. Skaidrāku |
| 2. Drain Paplātes | 7. Egulējamas Priekšējās Kājas |
| 3. Iekšējais Apgaismojums Un Termostats Poga | 8. Durvju Plaukti |
| 4. Kustamā Plaukts | 9. Olu Paplāte |
| 5. Skaidrāku Vāks | 10. Pudeļu Plaukts |

Attēli, kas ietverti šajā instrukciju rokasgrāmatā, ir shēmveidīgi un var tieši neatbilst jūsu modelim. Ja attiecīgās daļas nav iekļautas jūsu iegādātā produkta komplektācijā, tad tās attiecas uz citiem modeļiem.

2 Svarīgi brīdinājumi par drošību

Lūdzu, iepazīstieties ar šo informāciju. Šīs informācijas neievērošana var kļūt par cēloni traumām vai materiālajiem bojājumiem. Tā rezultātā visas garantijas un saistības par iekārtas drošību zaudēs spēku.

Originālās rezerves daļas tiks nodrošinātas 10 gadus, sākot ar produkta iegādes datumu.

Paredzētā lietošana

⚠	BRĪDINĀJUMS: Nenosprostojiet ierīces korpusā vai iekšpusē esošās ventilācijas atveres.
⚠	BRĪDINĀJUMS: Atkausēšanas procesa paātrināšanai neizmantojiet mehāniskas ierīces vai citus līdzekļus, ko nav rekomendējis ražotājs.
⚠	BRĪDINĀJUMS: Nebojājiet dzesētājielas kontūru.
⚠	BRĪDINĀJUMS: Pārtikas glabāšanas nodalījumos šajā ierīcē neizmantojiet elektroierīces, ko ražotājs nav rekomendējis.
⚠	BRĪDINĀJUMS! Neglabājiet šajā iekārtā sprādzienbīstamas vielas, piemēram, aerosolus ar viegli uzliesmojošiem propelentiem.

Šī ierīce ir paredzēta lietošanai mājāsaimniecībā un šāda veida lietojumam:

- personāla virtuves zonās veikalos, birojos un citā darba vidē;

- lauku mājās, kā arī lietošanai viesnīcu un moteļu viesiem un citā dzīvojamā tipā vidē;

- naktsmītnēs ar iekļautu brokastu piedāvājumu;

- sabiedriskās ēdināšanas u. c. lietojumam, kas neietver mazumtirdzniecību.

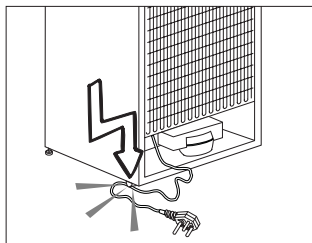
Vispārējā drošība

- Ja vēlaties atbrīvoties no šī izstrādājuma vai to pārstrādāt, mēs iesakām konsultēties ar pilnvarotu apkalpošanas centru, lai uzzinātu nepieciešamo informāciju un atrastu pilnvarotas organizācijas.
- Sazinieties ar pilnvarotu apkalpošanas centru saistībā ar visiem jautājumiem un problēmām attiecībā uz ledusskapi. Neveiciet ledusskapja remontu vai modifikāciju un neļaujiet to darīt citiem, neinformējot pilnvarotus pakalpojuma sniedzējus.
- Piezīme par iekārtām ar saldēšanas kameru: neēdiet saldējumu un ledus gabaliņus tūlīt pēc izņemšanas no saldēšanas kameras! (Tas var izraisīt mutes apsaldēšanu.)

- Piezīme par iekārtām ar saldēšanas kameru: neievietojiet šķidrus, pudelēs vai skārdenēs esošus dzērienus saldēšanas kamerā. Tie var saplīst.
- Nepieskarieties sasaldētam ēdienam ar rokām, jo tas var pie tām pielipt.
- Pirms atļaidināšanas vai tīrīšanas atvienojiet ledusskapja no barošanas avota.
- Ledusskapja tīrīšanas un atļaidināšanas laikā nevajadzētu izmantot tvaiku un izgarojošus tīrīšanas līdzekļus. Šādos gadījumos garāini var piekļūt elektriskajām daļām un radīt īssavienojumu vai elektriskās strāvas triecienu.
- Nekad neizmantojiet ledusskapja daļas, piemēram, durvis, kā atbalstu vai pakāpienu.
- Neizmantojiet elektriskās iekārtas ledusskapja iekšpusē.
- Neurbiet un nezāģējiet daļas, kurās cirkulē dzesēšanas šķidrums. Dzesēšanas šķidrums, kas var izplūst, kad iztvaices aparāta gāzes kanāli, cauruļvadu pagarinājumi vai virsmas apvalki tiek pārplēsti, izraisa ādas iekaisumus un acu traumas.
- Ar nekādiem materiāliem neaizklājiet un nenobloķējiet ledusskapja ventilācijas atveres.
- Elektroiekārtu remontu drīkst veikt tikai pilnvarotas personas. Labošana, ko veikušas nekompetentas personas, rada risku lietotājam.
- Bojājuma vai apkopes un labošanas darbu laikā atvienojiet ledusskapja strāvas padevi, atvienojot attiecīgo drošinātāju vai iekārtas spraudkontakta.
- Atvienojot spraudkontakta, to nevelciet aiz vada.
- Dzērieni ar augstu alkohola saturu ir jāuzglabā vertikālā stāvoklī un ar nostiprinātu vāku.
- Nekādā gadījumā neglabājiet ledusskapī aerosolus, kuru sastāvā ir viegli uzliesmojošas un sprādzienbīstamas vielas.
- Neizmantojiet mehāniskas ierīces vai citus līdzekļus, lai pātrinātu atļaidināšanas procesu, ja vien tos nav ieteicis ražotājs.
- Šī iekārta nav paredzēta, lai to izmantotu personas ar fiziskajiem, garīgajiem un uztveres traucējumiem vai cilvēki bez pieredzes un zināšanām (tostarp bērni), ja vien viņus neuzrauga persona, kas ir atbildīga par viņu drošību vai sniedz norādījumus par iekārtas izmantošanu.
- Neizmantojiet bojātu ledusskapi. Ja jums rodas kaut kādas bažas, sazinieties ar apkalpošanas pārstāvi.

- Ledusskapja elektrodrošība var tikt garantēta tikai tad, ja iezemējuma sistēma jūsu mājā atbilst standartiem.
- Iekārtas pakļaušana lietuse, sniegā, saules un vēja iedarbībai apdraud elektrodrošību.
- Ja spēka kabelis ir bojāts, lai izvairītos no briesmām, sazinieties ar pilnvarotu apkalpošanas centru.
- Uzstādīšanas laikā nekādā gadījumā neievietojiet spraudkontaktu sienas kontaktligzdā. Pretējā gadījumā var rasties nāves draudu vai nopietnas traumas risks.
- Šis ledusskapis ir paredzēts tikai pārtikas uzglabāšanai. To nevajadzētu izmantot nekādam citam mērķim.
- Uzlīme ar izstrādājuma tehniskajiem datiem atrodas ledusskapja iekšpusē pa kreisi.
- Nekādā gadījumā nepievienojiet ledusskapi pie elektrības taupīšanas sistēmas, jo tas var sabojāt ledusskapi.
- Ja ledusskapim ir zils gaismas indikators, ilgstoši neskatieties uz to ar neapbruņotu aci vai caur optiskajām ierīcēm.
- Ja ledusskapji ir manuāli vadāmi, tad pirms to pārstartēšanas pēc elektropadeves traucējumiem ir jāpagaida vismaz 5 minūtes.

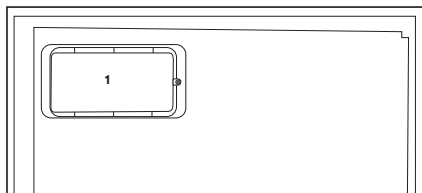
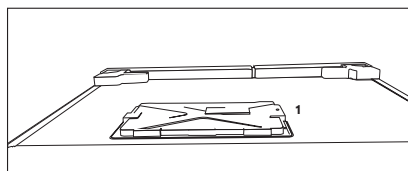
- Ja ledusskapis tiek atdots kādam citam, arī šī lietošanas rokasgrāmata ir jāatdod jaunajam īpašniekam.
- Ledusskapja transportēšanas laikā izvairieties no spēka kabeļa bojājumiem. Kabeļa saliekšana var izraisīt ugunsgrēku. Nekādā gadījumā nelieciet uz spēka kabeļa smagus priekšmetus. Pievienojot iekārtu barošanas avotam, nepieskarieties spraudkontaktam ar slapjām rokām.



- Nepievienojiet ledusskapi vaļīgai sienas kontaktligzdai.
- Drošības apsvērumu dēļ izvairieties no ledusskapja iekšējo un ārējo daļu apšļakstīšanas ar ūdeni.
- Lai izvairītos no ugunsgrēka un sprādziena riska, ledusskapja tuvumā neizsmidziniet vielas, kuru sastāvā ir viegli uzliesmojušas gāzes, piemēram, propāna gāze.
- Nekādā gadījumā nelieciet uz ledusskapja virsmas traukus ar ūdeni, jo tas var izraisīt elektriskās strāvas triecienu vai ugunsgrēku.

- Nepārslogojiet ledusskapi ar pārāk lielu pārtikas daudzumu. Ja ledusskapis ir pārāk pilns, tad, atverot durvis, pārtika var izkrist no ledusskapja, radot kaitējumu jums vai iekārtai. Nekādā gadījumā nelieciet priekšmetus uz ledusskapja virsmas, jo ledusskapja durvju atvēršanas vai aizvēršanas laikā tie var nokrist.
- Ledusskapī nedrīkst turēt vakcīnas, temperatūras jutīgus medikamentus un zinātniskiem pētījumiem paredzētus materiālus, jo tiem ir nepieciešama noteikta uzglabāšanas temperatūra.
- Ja ledusskapis netiks ilgstoši izmantots, tas jāatvieno no barošanas avota. Spēka kabeļa bojājuma gadījumā var sākties ugunsgrēks.
- Ja regulējamās kājiņas nav pareizi nostiprinātas uz grīdas, tad ledusskapis var kustēties. Regulējamo kājiņu pareiza nostiprināšana uz grīdas var novērst ledusskapja kustēšanos.
- Nesot ledusskapi, neturiet to aiz durvju roktura. Pretējā gadījumā tas var nolūzt.
- Novietojot iekārtu līdzās citam ledusskapim vai saldētavai, starp šīm iekārtām ir jābūt vismaz 8 cm attālumam. Pretējā gadījumā uz līdzās esošajām sienām var kondensēties mitrums.
- Nekad neizmantojiet ierīci, ja ir atvērts nodaļījums ierīces augšpusē vai aizmugurē, kurā atrodas elektroniskās drukātās

shēmas plates (elektronisko drukāto shēmu plašu pārsegs) (1).



Piezīme par iekārtām ar ūdens automātu;

- Maksimālajam aukstā ūdens ieplūdes caurules spiedienam jābūt 90 psi (**620 kPa**). Ja ūdens spiediens pārsniedz 80 psi (**550 kPa**, tīkla sistēmā izmantojiet spiedienu ierobežojošu vārstu. Ja nezināt, kā pārbaudīt ūdens spiedienu, lūdziet profesionāla santehniķa palīdzību.
- Ja sistēmā iespējams hidrauliskais trieciens, vienmēr tajā izmantojiet hidrauliskā trieciena novēršanas aprīkojumu. Ja neesat pārliccināts, vai jūsu sistēmā nav hidrauliskā trieciena, konsultējieties ar

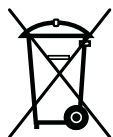
profesionāliem santehniķiem.

- Neuzstādiet uz karstā ūdens ieklūdes caurules. Veiciet piesardzības pasākumus, lai novērstu šļūtenu sasalšanas risku. Ūdens temperatūras intervālam darbības laikā jābūt vismaz 33 °F (0,6 °C) un ne vairāk kā 100 °F (38 °C).
- Izmantojiet tikai dzeramo ūdeni.

Bērnu drošība

- Ja durvis ir slēdzamas, tad atslēga jāglabā bērniem nepieejamā vietā.
- Jāuzrauga, lai bērni nespēlētos ar iekārtu.

Atbilstība EEIA direktīvai un atkritumu pārstrāde



ar

Šī iekārta atbilst ES EEIA direktīvas (2012/19/ES) prasībām.

Šis izstrādājums ir marķēts elektrisko un elektronisko iekārtu atkritumu (EEAI)

klasifikācijas simbolu.

Šī iekārta ir izgatavota no augstas kvalitātes detaļām un materiāliem, kas ir atkārtoti izmantojami un piemēroti otrreizējai pārstrādei. Pēc iekārtas kalpošanas laika beigām neizmetiet to kopā ar parastajiem mājaisaimniecības un citiem atkritumiem. Nogādājiet to elektrisko un elektronisko iekārtu savākšanas centrā, lai varētu veikt otrreizējo pārstrādi. Plašāku informāciju par savākšanas centriem varat uzzināt vietējā pašvaldībā.

Atbilstība direktīvai par bīstamo vielu ierobežošanu elektroniskajā un elektriskajā aprīkojumā

Jūsu nopirktā iekārta atbilst ES direktīvas par bīstamo vielu ierobežošanu elektroniskajā un elektriskajā aprīkojumā (2011/65/ES) prasībām. Tās sastāvā nav šajā direktīvā norādīto kaitīgo un aizliegto materiālu.

Informācija par iepakojumu

Iekārtas iepakojums ir izgatavots no otrreizēji pārstrādājamiem materiāliem atbilstoši mūsu valsts vides aizsardzības noteikumiem. Neizmetiet iepakojuma materiālus kopā ar mājaisaimniecības vai citiem atkritumiem. Nogādājiet tos vietējo pašvaldību norādītajās iepakojuma materiālu savākšanas vietās.

Brīdinājums par HC

Ja iekārtas dzesēšanas sistēma satur R600a

Šī gāze ir viegli uzliesmojoša. Tādēļ pievērsiet uzmanību tam, lai izmantošanas un transportēšanas laikā dzesēšanas sistēma un cauruļvadi netiktu bojāti. Bojājuma gadījumā neturiet iekārtu potenciālu uguns avotu tuvumā, jo tas var izraisīt iekārtas aizdegšanos, un vēdiniet telpu, kurā novietota iekārta.

Neņemiet vērā šo brīdinājumu, ja iekārtai ir dzesēšanas sistēma, kas satur R134a.

Iekārtā izmantotais gāzes tips ir norādīts uz specifikācijas plāksnītes ledusskapja iekšpusē kreisajā pusē.

Nekādā gadījumā neatbrīvojieties no iekārtas, to sadedzinot.

Kas darāms, lai ietaupītu enerģiju

- Neturiet ledusskapja durvis ilgstoši atvērtas.
- Neievietojiet ledusskapī karstu pārtiku vai dzērienus.
- Nepārpildiet ledusskapi, lai netiktu traucēta gaisa cirkulācija tā iekšpusē.
- Nenovietojiet ledusskapi tiešā saules gaismā vai karstumā izstarojošu iekārtu, piemēram, krāsns, trauku mazgājamās iekārtas vai radiatoru, tuvumā.
- Pievērsiet uzmanību tam, lai pārtika atrastos aizvērtos traukos.
- Piezīme par iekārtām ar saldēšanas kameru. Saldēšanas kamerā varat saglabāt maksimālo ēdiena daudzumu, izņemot no tās plauktu vai atvilktni. Norādītā saldēšanas kameras enerģijas patēriņa vērtība ir noteikta iekārtai ar izņemtu plauktu vai atvilktni un maksimālo noslodzi. Nepastāv nekāds risks, izmantojot plauktu vai atvilktni atbilstoši sasaldējamās pārtikas formai un izmēram.
- Sasaldētās pārtikas atļaidināšana ledusskapja nodalījumā gan ietaupīs elektroenerģiju, gan saglabās pārtikas kvalitāti.

3 Uzstādīšana

⚠ Lūdzu ņemiet vērā, ka ražotājs neuzņemas atbildību, ja instrukciju rokasgrāmatā iekļautā informācija netiek ievērota.

Lietas, kas jāapsver, atkārtoti pārvietojot ledusskapi

1. Jūsu ledusskapim pirms jebkuras transportēšanas ir jābūt iztukšotam un iztīrītam.
2. Ledusskapja plauktiem, piederumiem, atvilktnēm utt. pirms atkārtotas iepakšanas ir jābūt cieši nostiprinātiem ar līmlenti, lai tos nodrošinātu pret jebkādiem triecieniem.
3. Iepakojumam ir jābūt cieši nostiprinātam ar virvēm un līmlentēm, un jāievēro uz iepakojuma norādītie transportēšanas noteikumi.

Lūdzu, neaizmirstiet...

Ikviens pārstrādātais materiāls ir svarīgs avots dabai un mūsu nacionālajiem resursiem.

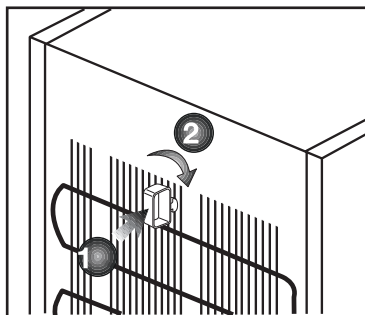
Ja jūs vēlaties nodot iepakojuma materiālu otrreizējai pārstrādei, papildu informāciju varat iegūt no vides aizsardzības organizācijām vai vietējās varas pārstāvjiem.

Pirms ledusskapja izmantošanas

Pirms ledusskapja ieslēgšanas pārbaudiet šādas lietas.

1. Vai ledusskapja iekšpuse ir tīra un gaiss tā aizmugurē var brīvi cirkulēt?

2. Varat uzlikt 2 plastmasas ķīļus, kā parādīts attēlā. Plastmasas ķīļi nodrošinās nepieciešamo attālumu starp ledusskapi un sienu, lai notiktu gaisa cirkulācija. (Attēls dots tikai



piemēram, un tas precīzi neatbilst jūsu izstrādājuma izskatam.)

3. Iztīriet ledusskapja iekšpusi, kā ieteikts sadaļā "Apkope un tīrīšana".
4. Pievienojiet ledusskapi sienas kontaktligzdai. Kad ledusskapja durvis tiks atvērtas, tad iedegsies ledusskapja nodalījuma iekšējais apgaismojums.
5. Būs dzirdams troksnis, jo kompresors sāks darbību. Troksni var radīt arī šķidrums un gāzes, kas atrodas dzesēšanas sistēmā, pat tad, ja kompresors nedarbojas, un tas ir normāli.
6. Ledusskapja priekšējās malas var būt siltas. Tas ir normāli. Šīm vietām ir jābūt siltām, lai izvairītos no kondensācijas.

Pievienošana elektrotīklam

Pievienojiet iekārtu iezemētai kontaktligzdai, kas aizsargāta ar atbilstošas jaudas drošinātāju.

Svarīgi!

- Savienojumam jāatbilst nacionālajiem noteikumiem.
- Pēc uzstādīšanas spēka kabeļa spraudkontakta jābūt viegli pieejamam.
- Norādītajam spriegumam jāatbilst jūsu elektrotīkla spriegumam.
- Savienošanai nedrīkst tikt izmantoti pagarinātāji vai sadalītāji.

⚠ Bojātu elektrisko kabeļi jānomaina kvalificētam elektriķim.

⚠ Iekārtu nedrīkst izmantot, kamēr tā nav salabota! Pastāv elektriskās strāvas trieciena risks!

Atbrīvošanās no iepakojuma

Iepakojuma materiāli var būt bīstami bērniem. Glabājiet iepakojuma materiālus bērniem nepieejamā vietā vai atbrīvojieties no tiem atbilstoši noteikumiem par atkritumu apglabāšanu un pārstrādi. Tos nedrīkst izmest kopā ar parastiem sadzīves atkritumiem.

Ledusskapja iepakojums ir izgatavots no otrreizēji pārstrādājamiem materiāliem.

Atbrīvošanās no vecā ledusskapja

Atbrīvojieties no vecās iekārtas tā, lai netiktu nodarīts kaitējums videi.

- Par atbrīvošanos no ledusskapja varat konsultēties ar pilnvarotu izplatītāju vai vietējās pašvaldības atkritumu savākšanas centru.

Pirms atbrīvošanās no ledusskapja, nogrieziet spraudkontakta un, ja uz durvīm ir slēdzenes, padariet tās neizmantojamas, lai pasargātu bērnus no jebkādām briesmām.

Novietošana un uzstādīšana

⚠ Ja ledusskapja uzstādīšanas telpā durvis ir par šauru, lai ledusskapi pa tām ievietotu, sazinieties ar pilnvarotu pakalpojuma sniedzēju, lai izņemtu ledusskapja durvis un ievietotu ledusskapi pa durvīm sāniski.

1. Uzstādiet ledusskapi vietā, kurā to iespējams viegli izmantot.

2. Neturiet ledusskapi karstuma avotu tuvumā, mitrās vietās un tiešā saules gaismā.

3. Lai nodrošinātu efektīvu darbību, apkārt ledusskapim ir jābūt pietiekamai ventilācijai.

Ja ledusskapis ir jāievieto sienas nišā, jābūt vismaz 5 cm attālumam no griestiem un 5 cm attālumam no sienas.

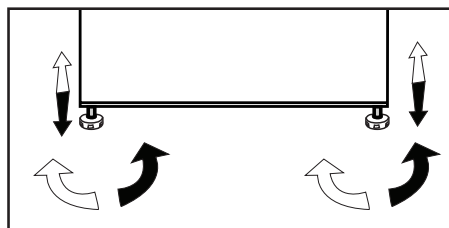
Ja grīda ir klāta ar paklāju, iekārtai jāatrodas vismaz 2,5 cm virs grīdas.

4. Novietojiet ledusskapi uz līdzenas grīdas virsmas, lai izvairītos no vibrācijas.

Kājiņu noregulēšana

Ja ledusskapis nav stabils;

Varat ledusskapi novietot stabili, pagriežot priekšējās kājiņas, kā parādīts attēlā. Stūris, kur kāja atrodas, tiek pazemināts, ja tiek pagriezts melnās bultas virzienā, bet pacelts, ja pagriešana notiek pretējā virzienā. Otrās personas palīdzība, viegli paceļot saldētāju, atvieglinās šo procesu.



Apgaismojuma lampas nomaiņa

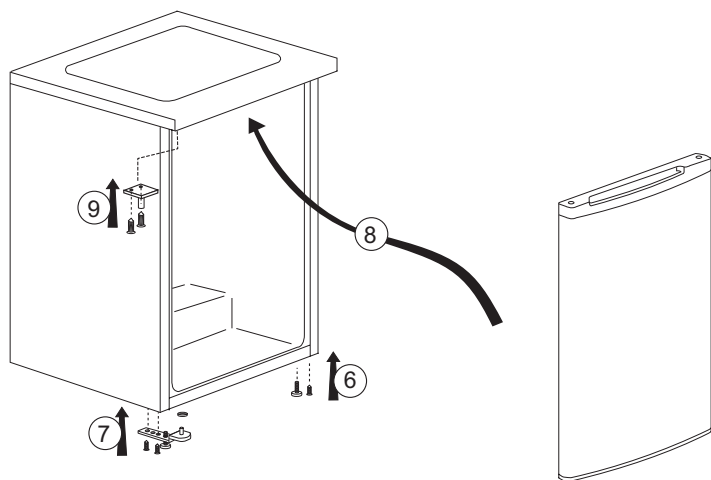
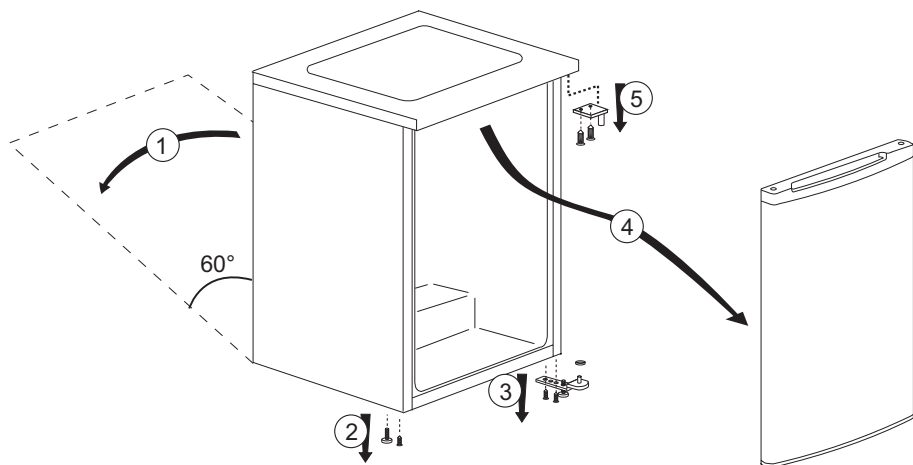
Lai nomainītu ledusskapja apgaismojuma lampu, lūdzu, sazinieties ar pilnvarotu pakalpojuma sniedzēju.

Prietaise naudojamās lempu nēra skirty kambariū apšvietimui namū sąlygomis. Šios lempu nēra skirty pagelbēti naudotojui saugiai ir patogiai sudēti maisto produktus į šaldytuvą ar šaldiklį.

Šiame prietaise naudojamās lempu turi atlaikyti ekstremalias sąlygas, pavyzdžiui, žemesnę nei -20°C temperatūrą.

Durvju ievietošana otrādi

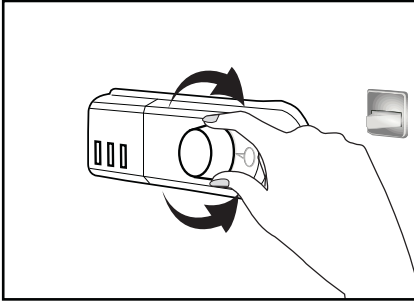
Rīkojieties ar cipariem norādītajā secībā



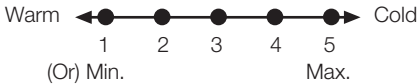
4 Sagatavošana

- Ledusskapis ir uzstādāms vismaz 30 cm attālumā no karstuma avotiem, piemēram, radiatoriem, sildītājiem, centrālapkures un krāsnīm, un vismaz 5 cm attālumā no elektriskajām krāsnīm, un to nedrīkst novietot tiešā saules gaismā.
- Ledusskapja uzstādīšanas istabas temperatūrai ir jābūt vismaz 5° C. Ledusskapja darbināšana vēsākos apstākļos nav ieteicama saistībā ar tā efektivitāti.
- Lūdzu, pārliedzieties, ka ledusskapja iekšpuse ir rūpīgi iztīrīta.
- Ja ir jāuzstāda divi blakus esoši ledusskapji, starp tiem jānodrošina vismaz 2 cm atstarpe.
- Kad ledusskapis tiek iedarbināts pirmo reizi, lūdzu, ievērojiet šīs instrukcijas pirmo sešu darbības stundu laikā.
- Durvis nevajadzētu atvērt pārāk bieži.
- Darbināšanu vajadzētu veikt bez ievietotas pārtikas.
- Neatvienojiet ledusskapi no strāvas avota. Elektroapgādes traucējumu gadījumā, lūdzu, skatiet brīdinājumus nodaļā "Ieteicamie problēmu risinājumi".
- Oriģinālo iepakojumu un putuplastu vajadzētu saglabāt transportēšanai vai pārvietošanai nākotnē.
- Dažiem modeļiem instrumentu panelis automātiski izslēdzas 5 minūšu laikā pēc durvju aizvēršanas. Tas no jauna aktivizēsies, atverot durvis vai nospiežot jebkuru pogu.
- Dēl temperatūros pokyčij atidarant / uždaranant veikiančio gaminio dureles, ant durelių / korpuso lentynų ir stiklo indelių gali susidaryti kondensatas, ir tai yra normalu.

5 Ledusskapja izmantošana



Darba temperatūra tiek regulēta ar temperatūras kontroles palīdzību.



1 = Zemākais dzesēšanas iestatījums (Visaugstākā temperatūra)

5 = Augstākais dzesēšanas iestatījums (Viszemākā temperatūra)

(vai)

Min. = Zemākais dzesēšanas iestatījums

(Visaugstākā temperatūra)

Max. = Augstākais dzesēšanas iestatījums

(Viszemākā temperatūra)

Vidējai temperatūrai ledusskapī vajadzētu būt aptuveni +5 °C.

Lūdzu, izvēlieties iestatījumu atbilstoši vēlamajai temperatūrai.

Varat pārtraukt savas iekārtas darbību, novietojot termostata pārslēgu "0" pozīcijā.

Lūdzu, atcerieties, ka atdzesēšanas zonā temperatūra atšķirsies.

Visaugstākā vieta ir tieši virs dārzeņu nodalījuma.

Iekšējā temperatūra ir atkarīga arī no vides temperatūras, durvju atvēršanas biežuma un ledusskapī turētās pārtikas daudzuma.

Biežas durvju virināšanas dēļ iekšējā temperatūra paaugstinās.

Tādēļ ieteicams aizvērt durvis pēc iespējas ātrāk pēc ledusskapja izmantošanas.

Visaugstākā vieta ir tieši zem ledus gabaliņu gatavošanas nodalījuma.

Liela gaisa mitruma apstākļos ledusskapī var rasties kondensācija; tas nav bojājums. To var noslaucīt ar sausu drāniņu atbilstoši drošības noteikumiem. Ledus tvertnes nodalījuma un ūdens noliešanas tvertnes apledošana, sasalšana un kondensācija ir normāla.

Iekārtas atlaidināšana

Pārāk lielas ledus kārtas izveidošanās ietekmēs iekārtas dzesēšanas spēju.

Tādēļ ieteicams atlaidināt iekārtu vismaz divas reizes gadā vai arī tad, kad ledus kārtā ir biezāka par 7 mm.

Atlaidiniet iekārtu tad, kad tajā nav daudz pārtikas.

Izņemiet pārtiku. Ietīniet pārtiku vairākās papīra kārtās vai segā un turiet vēsā vietā.

Lai sāktu atlaidināšanu, atvienojiet iekārtu vai izslēdziet slēgiekārtu.

Izņemiet no iekārtas visus piederumus (teiksim, plauktus, atviktņes utt.), un izmantojiet piemērotu tvertni izkusušā ledus ūdens savākšanai.

Ja nepieciešams, nodalījumos izkusušā ledus ūdens savākšanai izmantojiet mīkstu drāniņu.

Atlaidināšanas laikā turiet durvis atvērtas.

Lai paātrinātu atlaidināšanu, ievietojiet iekārtā traukus ar siltu ūdeni.

Nekādā gadījumā neizmantojiet elektroierīces, atlaidināšanai paredzētus aerosolus vai smailus vai asus priekšmetus, teiksim, nažus vai dakšiņas, ledus noņemšanai.

Pēc atlaidināšanas pabeigšanas iztīriet iekšpusi.

Atvienojiet iekārtu no barošanas avota. Ievietojiet atvilktnēs sasaldēto pārtiku un iebīdiet atvilktnes saldēšanas kamerā.

Pirms atlaidināšanas sākšanas drošības apsvērumu dēļ izslēdziet slēgiekārtu un atvienojiet iekārtu no strāvas avota.

Atdzesēšana

Pārtikas uzglabāšana

Ledusskapja nodalījums paredzēts svaigas pārtikas un dzērienu īslaicīgai uzglabāšanai.

Uzglabājiet piena produktus tiem paredzētajā ledusskapja nodalījumā.

Pudeles var tikt ievietotas pudelju turētājā vai pudelju plauktā durvīs.

Jēlu gaļu vislabāk ievietot polietilēna maisiņā un turēt ledusskapja pašā apakšā.

Karstai pārtikai un bezalkoholiskajiem dzērieniem ļaujiet atdzist līdz istabas temperatūrai, un tikai pēc tam tos ievietojiet ledusskapī.

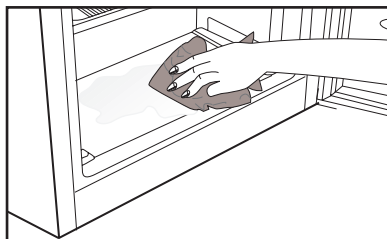
• Uzmanību!

Uzglabājiet koncentrētus alkoholiskos dzērienus tikai stāvus un cieši aizvērtus.

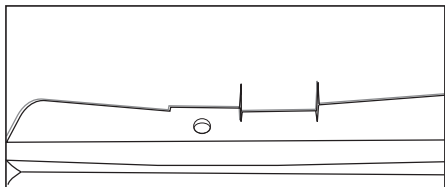
• Uzmanību!

Neglabājiet šajā iekārtā sprādzienbīstamas vielas vai tvertnes ar viegli uzliesmojošiem propelentiem (konservētu putukrējumu, krāsas aerosolus utt.).

Pastāv sprādziena risks.



Attēlā redzamais izliekums ir daļa no dizaina, un tas neietekmē dzesēšanas sistēmas darbību.



6 Apkope un tīrīšana

- △ Nekad tīrīšanas nolūkiem neizmantojiet gāzoliņu, benzīnu vai līdzīgas vielas.
- △ Mēs iesakām iekārtu pirms tīrīšanas atvienot no strāvas avota.
- Nekad neizmantojiet asus abrazīvus instrumentus, ziepes, mājsaimniecības tīrīšanas līdzekļus, mazgāšanas līdzekļus un pulējamo vasku, lai veiktu tīrīšanu.
- Produktiem, kam nav neapsarmošanas funkcijas, uz ledusskapja nodalījumu aizmugurējās sienas var veidoties ūdens lāsītes un līdz pat pirksta biezuma sarmas kārtas. Netīriet to; nekādā gadījumā neuzklājiet uz tās eļļu vai līdzīgas vielas.
- Izmantojiet tikai nedaudz mitru mikrošķiedras drāniņu, lai notīrītu produkta ārējo virsmu. Sūkļi un citu veidu tīrīšanas drānas var saskrāpēt šo virsmu.
- Izmantojiet remdenu ūdeni, lai iztīrītu ledusskapja korpusu, un noslaukiet to sausu.
- Izmantojiet mīkstu audumu, kas samitrināts šķīdumā, kas sastāv no vienas tējkarotes sodas un 0,57 l ūdens, lai iztīrītu iekšpusi, un tad noslaukiet to sausu.
- Pievērsiet uzmanību tam, lai ūdens neiekļūtu lampas ietvarā un citās elektriskās iekārtās.
- Ja ledusskapis netiek izmantots ilgāku laiku, atvienojiet spēka kabeli, izņemiet visu pārtiku, iztīriet to un atstājiet durvis pusvīrus.
- Regulāri pārbaudiet durvju blīvējumu, lai pārliecinātos, ka tas ir tīrs un tajā nav sakrājušās pārtikas daļiņas.
- Lai izņemtu durvju plauktus, izņemiet visu saturu un tad paceliet plauktus no apakšpuses uz augšu.
- Iekārtas ārējo virsmu un hromēto daļu tīrīšanai nekad neizmantojiet tīrīšanas līdzekļus vai ūdeni, kura sastāvā ir hlors. Hlors rada šādu metāla virsmu koroziju.
- Nenaudokite aštrus, braižančigus ierīkus, muilo, buitīņu valīkli, plovīkli, žibalo, degaļus, lako, lakas, kad nesideformuotus ir nenusilūptus dažus sluosknis no plastikīnu daļiņu. Nuvalykite su drungnu vandeniu ir minkšta šluoste ir sausai nušluostykite.

Plastmasas virsmu aizsargāšana

- Nelieciet uz ledusskapja šķīdus, eļļas vai eļļā gatavotus ēdienus, nenoslēgtos traukus, jo tie bojā ledusskapja plastmasas virsmas. Ja uz plastmasas virsmām izlīst vai izsmērējas eļļa, uzreiz notīriet un ar siltu ūdeni noskalojiet attiecīgo vietu.

7 Ieteicamie problēmu risinājumi

Lūdzu, pārskatiet šo sarakstu pirms sazināšanās ar apkopes centru. Tas var ietaupīt jūsu laiku un naudu. Šajā sarakstā ietvertas bieži sastopamas problēmas, kas nav saistītas ar defektīvu ražojumu vai defektīva materiāla izmantošanu. Jūsu izstrādājumam var nebūt visas šeit aprakstītās funkcijas.

Ledusskapis nedarbojas.

- Vai ledusskapis ir pareizi pievienots strāvas avotam? Ievietojiet spraudkontakta sienas kontaktligzdā.
- Vai nav izdedzis drošinātājs kontaktligzdai, kurai pievienots ledusskapis, vai arī izsists galvenais drošinātājs? Pārbaudiet drošinātāju.

Kondensācija uz ledusskapja nodalījuma sānu sienas. (MULTI ZONE, COOL CONTROL un FLEXI ZONE)

- Ļoti zemā ārējā temperatūra. Bieži durvju atvēršana un aizvēršana. Ļoti liels mitrums apkārtējā telpā. Tiek atvērtos traukos uzglabāta pārtika, kas satur šķidrums. Durvis atstātas pusvīrus.
- Termostata iestatīšana zemākai temperatūrai.
- Samaziniet laiku, kad durvis tiek turētas atvērtas, vai retāk izmantojiet ledusskapi.
- Pārtikas, kas tiek glabāta atvērtos traukos, pārklāšana ar piemērotu materiālu.
- Noslaukiet kondensātu ar sausu audumu un pārbaudiet, vai tas saglabājas.

Kompresors nedarbojas

- Kompresora termiskā aizsardzība atslēgsies pēkšņu elektroapgādes traucējumu gadījumā vai arī pieslēgšanas-atslēgšanas laikā, jo dzesēšanas šķidrums ledusskapja dzesēšanas sistēmā nebūs sabalansēts.
- Ledusskapis sāks darboties pēc aptuveni 6 minūtēm. Lūdzu, sazinieties ar apkopes centru, ja ledusskapis nesāk darboties pēc šī laika perioda paiesšanas.
- Ledusskapis izpilda atkausēšanas ciklu. Tas ir normāli ledusskapim, kas veic pilnīgi automātisku atlaidināšanu. Atlaidināšanas cikls periodiski atkārtojas.
- Ledusskapis nav pievienots kontaktligzdai. Pārbaudiet, vai spraudkontakts ir cieši iesprausts sienas kontaktligzdā.
- Vai temperatūras noregulēšana ir veikta pareizi? Noticis strāvas padeves pārrāvums. Saasinieties ar savu elektroenerģijas piegādātāju.

Ledusskapis darbojas bieži vai ilgu laiku.

- Iespējams jaunais ledusskapis ir platāks par iepriekšējo. Tas ir visai normāli. Lieli ledusskapji darbojas ilgāku laika periodu.
- Apkārtējā istabas temperatūra var būt augsta. Tas ir visai normāli.
- Iespējams ledusskapis ir nesēn ieslēgts vai tajā nesēn ievietota pārtika. Ledusskapja pilnīga atdzesēšana var notikt pāris stundas ilgāk.
- Nesēn ledusskapī ievietots liels daudzums karsta ēdiena. Karsts ēdiens izraisa ilgāku ledusskapja darbību, līdz tiek sasniegta droša uzglabāšanas temperatūra.
- Iespējams durvis tiek bieži atvērtas vai ilgstoši atstātas pusvīrus. Siltais gaiss, kas iekļūst ledusskapī, liek tam darboties ilgāku laiku. Atveriet durvis retāk.
- Iespējams ledusskapja nodalījuma durvis atstātas pusvīrus. Pārbaudiet, vai durvis ir cieši aizvērtas.
- Ledusskapis ir noregulēts ļoti zemi temperatūrai. Iestatiet augstāku ledusskapja temperatūru un gaidiet, līdz šī temperatūra tiek sasniegta.
- Ledusskapja vai saldēšanas kameras durvju blīvējums var būt netīrs, nodilis, ieplīsis vai nepareizi novietots. Notīriet vai nomainiet blīvējumu. Bojāts/ieplīsis blīvējums liek ledusskapim darboties ilgāku laiku, lai saglabātu esošo temperatūru.

Saldēšanas kameras temperatūra ir ļoti zema, bet ledusskapja temperatūra ir apmierinoša.

- Saldētāja temperatūra ir noregulēta ļoti zemi temperatūrai. Iestatiet augstāku saldētāja temperatūru un pārbaudiet.

Ledusskapja temperatūra ir ļoti zema, bet saldēšanas kameras temperatūra ir apmierinoša.

- Ledusskapja temperatūra ir noregulēta ļoti zemi temperatūrai. Iestatiet augstāku ledusskapja temperatūru un pārbaudiet.

Pārtika, kas atrodas ledusskapja nodalījuma atvilktnēs, sasalst.

- Ledusskapja temperatūra ir noregulēta ļoti zemi temperatūrai. Iestatiet augstāku ledusskapja temperatūru un pārbaudiet.

Ledusskapja vai saldēšanas kameras temperatūra ir ļoti augsta.

- Noregulēta ļoti augsta ledusskapja temperatūra. Ledusskapja temperatūra ietekmē saldēšanas kameras temperatūru. Mainiet ledusskapja vai saldētāja temperatūru, līdz saldētāja vai ledusskapja temperatūra sasniedz pietiekošu līmeni.
- Durvis atstātas pusvīrus. Kārtīgi aizveriet durvis.
- Nesēn ledusskapī ievietots liels daudzums karsta ēdiena. Gaidiet, līdz ledusskapis vai saldētājs sasniedz vēlamo temperatūru.
- Ledusskapis var būt nesēn ieslēgts. Ledusskapja pilnīga atdzesēšana prasa laiku tā izmēra dēļ.

No ledusskapja atskan skaņas, kas līdzīgas mehāniskā pulksteņa tikšķēšanai.
<ul style="list-style-type: none"> Šis troksnis nāk no ledusskapja elektromagnētiskā vārsta. Elektromagnētiskais vārsts nodrošina dzesēšanas šķidrums plūšanu cauri nodalījumam un var tikt noregulēts atbilstoši dzesēšanas vai saldēšanas temperatūrai un dzesēšanas funkciju veikšanai. Tas ir normāli un nav defekts.
Darbības troksnis palielinās, kad ledusskapis darbojas.
<ul style="list-style-type: none"> Ledusskapja darbības veiktspējas raksturlielumi var mainīties atkarībā no ārējās temperatūras izmaiņām. Tas ir normāli un nav defekts.
Vibrācijas vai trokšņi.
<ul style="list-style-type: none"> Grīda nav līdzena vai tā ir ļodzīga. Ledusskapis līgojas, ja tas tiek lēni pakustināts. Pārliecinieties, ka grīda atrodas vienā līmenī, tā ir izturīga un spēj noturēt ledusskapja svaru. Iespējams troksni rada uz ledusskapja noliktās lietas. Tādas lietas jānoņem no ledusskapja virsmas.
Atskan trokšņi, kas atgādina šķidrums izlīšanu vai izšķāšanos.
<ul style="list-style-type: none"> Atbilstoši ledusskapja darbības principiem tajā plūst šķidrums un gāze. Tas ir normāli un nav defekts.
Atskan troksnis, kas atgādina vēja pūšanu.
<ul style="list-style-type: none"> Tiek izmantoti gaisa aktivizētāji (ventilatori), lai ledusskapis tiktu efektīvāk atdzesēts. Tas ir normāli un nav defekts.

Kondensācija uz ledusskapja iekšējām sienām.
<ul style="list-style-type: none"> Karsti un mitri laika apstākļi palielina ledus un kondensāta veidošanos. Tas ir normāli un nav defekts. Durvis tiek turētas pusvīrus. Pārliecinieties, ka durvis ir cieši aizvērtas. Iespējams durvis tikušas ļoti bieži atvērtas vai turētas atvērtas ilgu laiku. Atveriet durvis retāk.
Ledusskapja ārpusē vai starp durvīm rodas mitrums.
<ul style="list-style-type: none"> Iespējams ir mitri laika apstākļi. Tas ir normāli mitros laika apstākļos. Kad mitrums būs mazāks, kondensāts izzudīs.
Slikta smaka ledusskapī.
<ul style="list-style-type: none"> Ledusskapja iekšpuse ir jāiztīra. Iztīriet ledusskapja iekšpusi ar sūkli, siltu ūdeni vai gāzētu ūdeni. Iespējams smaku izraisa daži konteineri vai iepakojuma materiāli. Izmantojiet citus konteinerus vai citas markas iepakojuma materiālu.
Durvis neizveras.
<ul style="list-style-type: none"> Pārtikas iepakojums var neļaut durvīm aizvērties. Pārvietojiet pakas, kas traucē durvīm. Iespējams ledusskapis neatrodas pilnīgi vertikāli uz grīdas un tas līgojas, kad tiek nedaudz pakustināts. Noregulējiet pacelšanas skrūves. Grīda nav vienā līmenī vai pietiekami izturīga. Pārliecinieties, ka grīda atrodas vienā līmenī un spēj noturēt ledusskapi.

Augļu nodalījuma atvilktnes ir iesprūdušas.

- Iespējams pārtika pieskaras atvilktnes griestiem. Pārkārtojiet atvilktnē esošo pārtiku.

Ja Iekārtas Virsma Ir Karsta.

• Iekārtas darbības laikā starp abām durvīm, uz sānu paneļiem un aizmugurējā grīlā var rasties augsta temperatūra. Tas ir normāli, un šādā gadījumā nav nepieciešama tehniskā apkope! Pieskaroties šīm zonām, ievērojiet piesardzību.

Palun lugege esmalt juhendit!

Kallis klient,

Me loodame, et teie toode, mis on toodetud moodsates tehastes ja kontrollitud kõige põhjalikumate kvaliteedikontrolli protseduuridega, teenib teid hästi.

Selleks soovitame teil põhjalikult kogu tootejuhendi läbi lugeda enne toote kasutamist ja hoida see ka tulevikuks käepärast.

See juhend

- Aitab teil oma seadet kasutada kiirelt ja ohutult.
- Lugege juhendit enne seadme paigaldamist ja kasutamist.
- Järgige juhiseid, eriti ohutusteemalisi.
- Hoidke juhendit kättesaadavas kohas, kuna te võite seda ka hiljem vajada.
- Lisaks lugege ka teisi tootega kaasas olevaid dokumente.

Palun pange tähele, et see juhend võib kehtida ka teiste mudelite kohta.

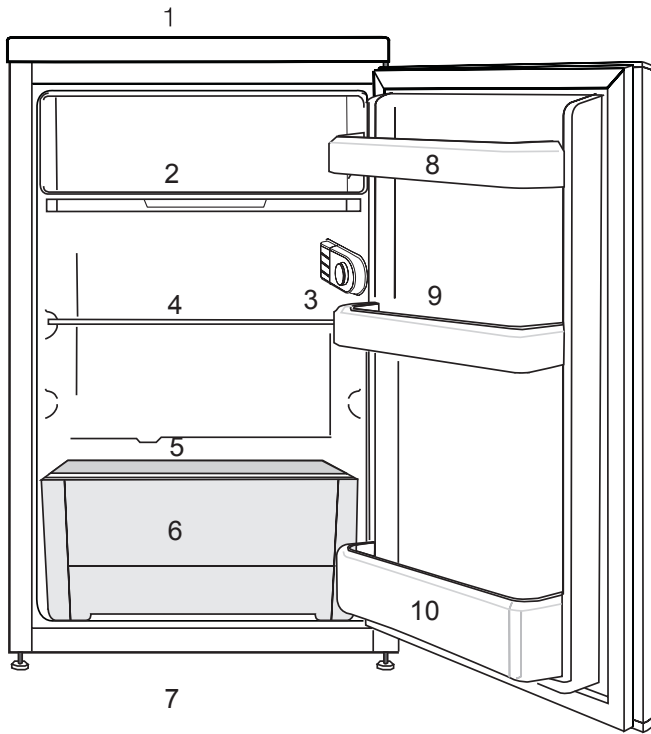
Sümbolid ja nende kirjeldused

See kasutusjuhend sisaldab järgnevaid sümboleid:

- ❗ Oluline teave või kasulikud näpunäited.
- ⚠ Hoiatus elule ja varale ohtlike tingimuste eest.
- ⚡ Hoiatus elektripinge eest.

1 Teie külmik	4	4 Ettevalmistus	15
2 Olulised hoiatused ohutuse tagamiseks	5	5 Külmiku kasutamine	16
Kasutusotstarve	5	Seadme sulatamine	16
Veedsaatoriga toodete puhul:	8	Jahutamine.....	17
Laste ohutuse tagamine.....	8	Toiduainete hoidmine	17
WEEE direktiivi täitmine ja romuseadme kõrvaldamine:	9	6 Hooldus ja puhastamine	19
RoHS-direktiivi täitmine:.....	9	Plastpindade kaitse	19
Teave pakendi kohta	9	7 Soovituslikud lahendused probleemidele	20
Ohuhoiatus	9		
Mida saab teha energia säästmiseks	9		
3 Paigaldamine	11		
Mida pidada meeles külmiku hilisemal transportimisel.....	11		
Enne külmiku kasutamist.....	11		
Elektriühendus.....	11		
Pakendi utiliseerimine.....	12		
Vana külmiku utiliseerimine.....	12		
Asukoha valik ja paigaldamine	12		
Jalgade seadistamine.....	13		
Valgusti pirni vahetamine	13		

1 Teie külmik



- | | |
|-------------------------------|-----------------------------|
| 1. Top Sisekujundus | 6. Juurviljakastid |
| 2. Äravooluava | 7. Reguleeritavad jalad |
| 3. Sisevalgustid | 8. Jahutuskambri ukseriulid |
| 4. Termostaadinupp | 9. Munarest |
| 5. Teisaldatavad vahedetailid | 10. Pudeliriiv |

Kasutusjuhendis esinevad joonised on skemaatilised ja ei pruugi täpselt vastata teie tootele. Kui kõnealused osad ei ole teie soetatud tootega kaasas, kehtib see teiste mudelite kohta.

2 Olulised hoiatused ohutuse tagamiseks

Palun tutvuge alljärgneva teabega. Selle teabe eiramine võib põhjustada vigastusi või materiaalselt kahju. Vastasel korral muutuvad kõik garantiid ja töökindluse tagatised kehtetuks.

Originaalvaruosad on saadaval 10 aasta jooksul alates ostukuupäevast.

Kasutusotstarve

⚠	HOIATUS: Ärge blokeerige seadme korpuses võisisseehitatud karkassis olevaid ventilatsiooniasasid.
⚠	HOIATUS: Ärge kasutage sulatamise protsessi kiirendamiseks mehaanilisi või teisi vahendeid, välja arvatud juhul kui nende kasutamist soovib tootja.
⚠	HOIATUS: Ärge kahjustage külmutusaine ringlust.
⚠	HOIATUS: Ärge kasutage seadme toidu säilitamise kambrites elektrilisi seadmeid, välja arvatud juhul kui seda tüüpi seadmete kasutamist soovib tootja.

HOIATUS!

Ärge hoidke seadmes plahvatusohtlikke aineid (nt tuleohtliku propellendiga aerosoolpakendid).

See seade on mõeldud kasutamiseks kodukeskkonnas ja sarnastes tingimustes, näiteks

- kaupluste, kontorite ja teiste töökeskkondade personalialade köökides;
- talumajapidamistes ja hotellides, motellides ja teistes eluruumi tüüpi keskkondades klientide kasutuses.

Üldohutus

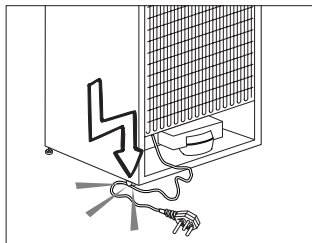
- Kui soovite toote utiliseerida või vanametalli saata, soovitame teil vajaliku teabe ja volitatud asutuste leidmiseks konsulteerida volitatud teenindusega.
- Kõigi külmikuga seotud küsimuste ja probleemide osas konsulteerige volitatud teenindusega. Ärge tegutsege külmiku kallal ega laske kellelgi teisel seda teha ilma volitatud teenindust teavitamata.
- Külmutuskambriga toodete puhul: ärge sööge jäätist ja jääkuubikuid kohe pärast sügavkülmikust väljavõtmist! (See võib tekitada suus külmaville.)

- Külmutuskambriga toodete puhul: ärge pange pudelisse ja purki villitud jooke sügavkülmikusse. Vastasel juhul võivad nad lõhkeda.
- Ärge puudutage külmutatud toiduaineid palja käega; need võivad käe külge kinni jääda.
- Enne puhastamist või sulatamist eemaldage külmik vooluvõrgust.
- Külmiku puhastamiseks ja sulatamiseks ei tohi kunagi kasutada auru ning pihustatavaid puhastusvahendeid. Sellistel juhtudel võib aur sattuda kontakti elektriosadega ja põhjustada lühise või elektrilöögi.
- Ärge kunagi kasutage külmiku osasid (nt uks) toetus- või astumispinnana.
- Ärge kasutage külmiku sees elektriseadmeid.
- Ärge vigastage puurimis- või lõikeriistadega külmiku osi, kus ringleb külmutusaine. Aurustaja, torupikenduste või pinnakattevahendite augustamisel välja lenduda võiv külmutusaine põhjustab nahaärritust ja silmakahjustusi.
- Ärge katke ega blokeerige külmiku ventilatsiooniavasid.
- Elektriseadmeid võivad parandada ainult volitatud isikud. Ebakompetentsete isikute tehtud parandused võivad olla kasutajale ohtlikud.
- Rikke, hooldus- või parandustöö korral ühendage külmik vooluvõrgust lahti kas vastava kaitsme väljalülitamise või pistiku lahtiühendamise teel.
- Pistiku lahtiühendamisel ärge tõmmake juhtmest.
- Veenduge, et suure alkoholisaldusega joogid on ladustatud turvaliselt, korgid kinni ja anumad püstises asendis.
- Ärge hoidke külmikus aerosoolpakendeid tule- ja plahvatusohtlike ainetega.
- Ärge kasutage sulatusprotsessi kiirendamiseks mehaanilisi seadmeid ega muid vahendeid peale tootja soovitatute.
- Toode ei ole mõeldud kasutamiseks piiratud füüsiliste, sensoorsete või vaimsete võimetega, samuti puudulike kogemuste ja teadmistega isikute (sealhulgas laste) poolt, välja arvatud nende turvalisuse eest vastutava isiku juuresolekul ja juhendamisel.
- Ärge kasutage vigastatud külmikut. Probleemide korral pidage nõu volitatud teenindusega.
- Teie külmiku elektriline ohutus on tagatud ainult siis, kui teie maja maandussüsteem vastab standarditele.
- Toote kokkupuutumine vihma, lume, päikese ja tuulega on

elektriohutuse seisukohast ohtlik.

- Et vältida ohtliku olukorra teket, pöörduge toitejuhtme vigastuse korral volitatud teenindusse.
- Paigalduse ajal ärge ühendage külmikut seinakontakti. Vastasel korral võib tekkida surma või raske vigastuse oht.
- See külmik on mõeldud ainult toidu hoiustamiseks. Seda ei tohi kasutada teistel eesmärkidel.
- Tehniliste andmete silt paikneb külmiku sees vasakpoolisel seinal.
- Ärge kunagi ühendage külmikut energiasäästusüsteemiga – see võib külmikut kahjustada.
- Kui külmikul on sinine valgustus, ärge vaadake seda valgust pikemat aega palja silmaga ega läbi optiliste seadmete.
- Käsitsi juhitavate külmikute puhul oodake pärast voolukatkestust vähemalt 5 minutit, enne kui külmiku sisse lülitate.
- Omanikuvahetuse puhul tuleks kasutusjuhend edasi anda külmiku järgmisele omanikule.
- Külmiku transportimisel vältige toitejuhtme kahjustamist. Toitejuhtme painutamise tagajärjel võib tekkida tulekahju. Toitejuhtme peale ei tohi kunagi asetada

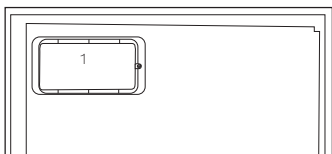
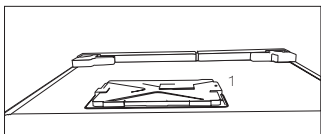
raskeid esemeid. Ärge ühendage pistikut seinakontakti märgade kätega.



- Ärge ühendage külmikut logiseva seinakontaktiga.
- Ohutuse huvides ei tohi pritsida vett otse külmiku sisemistele või välimistele osadele.
- Tulekahju ja plahvatuse ohu vältimiseks ärge pihustage külmiku lähedal kergestisüttivaid aineid (nt propaangaas).
- Ärge asetage külmiku peale veega täidetud esemeid, kuna see võib põhjustada elektrilöögi või tulekahju.
- Ärge pange külmikusse liiga suurt kogust toitu. Liiga täis pandud külmikust võivad toidud ukse avamisel välja kukkuda ning teid ennast või külmikut kahjustada. Ärge asetage külmiku peale esemeid, kuna need võivad külmiku ukse avamisel või sulgemisel alla kukkuda.
- Külmikus ei tohi hoida vaktsiine, temperatuuritundlikke ravimeid, teaduslikke aineid jne, mis nõuavad kindlaid temperatuuritingimusi.
- Kui külmikappi pole kavas pikemat aega kasutada, tõmmake pistik kontaktist välja. Toitejuhtme

võimalik defekt võib põhjustada tulekahju.

- Kui reguleeritavad jalad ei ole kindlalt vastu pörandat, võib külmik paigast nihkuda. Et vältida külmiku nihkumist, tuleks reguleeritavad jalad pörandal korralikult fikseerida.
- Külmikut teisaldades ärge hoidke kinni uksekäepidemest. Vastasel korral võib see puruneda.
- Kui peate toote paigaldama teise külmiku või sügavkülmiku kõrvale, peab seadmete vahele jääma vähemalt 8 cm vaba ruumi. Vastasel juhul võivad külgeinad niiskeks muutuda.
- Ärge kasutage toodet, kui selle ülaosas või taga sisemuses asuv elektroonika trükiplaat on avatud (elektroonika trükiplaadi korpusekate) (1).



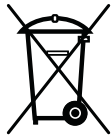
Veedsaatoriga toodete puhul:

- Külma vee sisselaske surve võib maksimaalselt olla 90 naela ruuttollile (620 kPa). Kui veesurve ületab 80 naela ruuttollile (550 kPa), siis kasutage vooluvõrgusüsteemis rõhuregulaatorit. Kui te ei tea, kuidas veesurvet kontrollida, siis pidage nõu professionaalse torumehega.
- Kui seadmete installeerimisel on vee hüdraullise löögi oht, siis kasutage alati seda vältivat varustust. Kui te ei ole kindel, kas installeerimisel on vee hüdraullise löögi oht, siis konsulteerige professionaalse torumehega.
- Ärge paigaldage soojaveesisendile. Võtke tarvitusele ettevaatusabinõud, et ei tekiks voolikute külmumise ohtu. Veetemperatuuri operatsioonivahemik peab olema 0,6°C (33°F) kuni 38°C (100°F).
- Kasutage ainult joogikõlblikku vett.

Laste ohutuse tagamine

- Kui uksel on lukk, tuleks võtit hoida väljaspool laste käeulatus.
- Hoidke lastel silma peal, et nad ei saaks seadmega mängida.

WEEE direktiivi täitmine ja romuseadme kõrvaldamine:



Seade vastab Euroopa Liidu WEEE direktiivile (2012/19/EL). Seadmel on elektri- ja

elektronikaseadmete jäätmete (WEEE) liigitkogumise tähis.

Seade on valmistatud kvaliteetsetest osadest ja materjalidest, mis sobivad ringlussevõtmiseks ja taaskasutamiseks. Ärge visake tarbetuks muutunud seadet tavalise olmeprügi ega muude jäätmete hulka. Viige see elektri- ja elektronikajäätmete kogumispunkti. Kogumispunktide kohta saate täpsemat teavet kohalikust omavalitsusest.

RoHS-direktiivi täitmine:

Seade vastab Euroopa Liidu RoHS-direktiivile (2011/65/EL). See ei sisalda direktiivis mainitud kahjulikke ja keelatud materjale.

Teave pakendi kohta

Vastavalt meie riiklikele keskkonnanäeskirjadele on toote pakend valmistatud taaskasutatavatest materjalidest. Ärge visake pakkematerjale tavalise olmeprügi või muude jäätmete hulka. Viige need kohaliku omavalitsuse poolt määratud pakendikogumispunkti.

Ohuhoiatus

Kui teie toote jahutussüsteem sisaldab ainet R600a:

See gaas on tuleohtlik. Seega olge ettevaatlik, et mitte kasutuse ja transpordi ajal jahutussüsteemi ning torustikku vigastada. Vigastuse korral hoidke toodet eemal potentsiaalsetest tuleallikatest, mis selle süüdata võiksid, ja ventileerige ruumi, milles seade asub.

See hoiatus ei puuduta teid, kui teie toote jahutussüsteem sisaldab ainet R134a.

Tootes kasutatava gaasi tüüp on kirjas andmesildil, mis paikneb külmiku sees vasakpoolsel seinal. Ärge kunagi seadet põletage.

Mida saab teha energia säästmiseks

- Ärge hoidke oma külmiku uksti pikalt lahti.
- Ärge pange külmikusse kuuma toitu-juoke.
- Ärge laadige külmikut liiga täis, et õhk saaks vabalt ringelda.
- Ärge paigaldage oma külmikut otsese päikesevalguse kätte või kuumust kiirgavate seadmete lähedale (nt ahjud, nõudepesumasina või radiaatorid).
- Hoidke toitu suletud nõudes.
- Külmutuskambriga toodete puhul: et külmutuskamber

mahutaks võimalikult palju, võite eemaldada riiuli või sahtli. Külmi energiakulu ametlik väärtus on saadud maksimaalse täituvuse juures, kui külmutuskambri riiul või sahtel on eemaldatud. Riiulit või sahtlit võib vabalt kasutada vastavalt külmutatavate toiduainete kujule ja suurusele.

- Külmutatud toidu sulatamine jahutuskambris võimaldab säästa energiat ning ühtlasi säilitada toidu kvaliteeti.

B Paigaldamine

⚠️ Palun jätke meelde, et tootja vabaneb vastutusest, kui selles kasutusjuhendis antud teavet arvesse ei võeta.

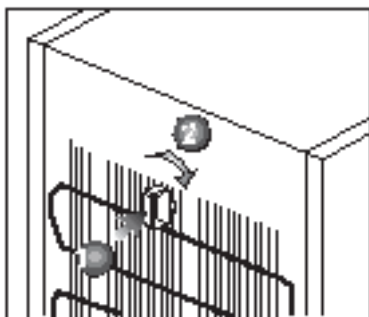
Mida pidada meeles külmiku hilisemal transportimisel

1. Külmik tuleb enne igasugust liigutamist tühendada ja puhastada.
2. Riiulid, lisaseadmed, köögiviljasahtel jms tuleb teibi abil enne uuesti pakendamist raputuste kaitseks kindlalt kinnitada.
3. Pakend tuleb siduda paksu teibi ja tugevate köite abil ning tuleb järgida pakendile trükitud transpordireegleid.

Palun ärge unustage...

Iga ümbertöödeldud ese on hädavajalik abi loodusele ja meie loodusressurssidele.

Kui soovite panustada pakke materjalide ümbertöötlemisse, saate lisateavet keskkonnakaitseasutustest või kohalike võimuorganite käest.



Enne külmiku kasutamist

Enne külmiku kasutama hakkamist kontrollige järgmist:

1. Kas külmiku sisemus on kuiv ja kas õhk saab selle tagaosas vabalt liikuda?
2. Puhastage külmiku sisemus, nagu soovitatud peatükis "Hooldus ja puhastamine".
3. Ühendage külmik seinakontakti. Kui külmiku uks on avatud, läheb jahutuskambri tuli põlema.
4. Kompresori käivitumisega kaasneb müra. Jahutussüsteemis olev vedelik ja gaasid võivad samuti müra tekitada, seda isegi juhul kui kompressor ei tööta – see on täiesti normaalne.
5. Külmiku esiservad võivad tunduda soojad. See on täiesti normaalne nähtus. Need alad peavad olema soojad, et vältida kondensaadi teket.
6. Sisestage 2 plastikust kiilu tagumise õhuava peale, nagu näidatud alloleval joonisel. Plastikust kiilud tagavad õhu liikumiseks vajaliku vahemaa külmiku ja seina vahel.

Elektriühendus

Ühendage seade maandatud pistikupessa, mida kaitseb sobiva nimivoolutugevusega kaitse.

NB!

- Ühendus peab vastama riiklikele nõuetele.
- Toitejuhe peab olema pärast paigaldust kergesti ligipääsetav.

- Ettenähtud pinge peab vastama teie vooluvõrgu pingele.
- Ühendamiseks ei tohi kasutada pikendusjuhtmeid ja harupistikuid.

⚠ Kahjustatud toitejuhe tuleb lasta välja vahetada kvalifitseeritud elektrikul.

⚠ Toodet ei tohi enne selle parandamist kasutada! Elektrilöögi oht!

Pakendi utiliseerimine

Pakkematerjalid võivad olla lastele ohtlikud. Hoidke pakkematerjale lastele kättesaamatus kohas või utiliseerige need, sorteerides need vastavalt jäätmekäitlusjuhistele. Ärge visake neid ära koos majapidamisjäätmetega.

Teie külmiku pakend on toodetud ümbertöödeldavatest materjalidest.

Vana külmiku utiliseerimine

Utiliseerige oma vana seade keskkonda kahjustamata.

- Külmiku utiliseerimise osas võite nõu pidada volitatud edasimüüjaga või oma haldusüksuse jäätmekäitluskeskusega.

Ennekülmiku utiliseerimist ühendage lahti elektrikist ja kui uksele on lukke, muutke need kasutuskõlbmatuks, et kaitsta lapsi ohtude eest.

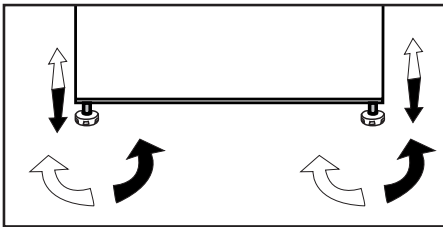
Asukoha valik ja paigaldamine

⚠ Kui külmik ei mahu läbi ukse ruumi, kuhu soovite seda paigaldada, pöörduge volitatud teenindusse. Tehnik saab külmiku ukse eemaldada, nii et see mahub küll läbi ukseava.

1. Paigaldage külmik kohta, kus seda on kerge kasutada.
2. Hoidke külmikut eemal soojusallikatest, niisketest kohtadest ja otsesest päikesevalgusest.
3. Külmiku tõhusa töö tagamiseks peab selle ümbruses toimuma piisav õhuringlus. Kui kavatsete paigutada külmiku seiniorva, peab see jääma laest ja seintest vähemalt 5 cm kaugusele. Kui põrand on kaetud vaibaga, tuleb toode tõsta põrandast 2,5 cm kõrgusele.
4. Põrutuste vältimiseks asetage külmik ühetasasele põrandapinnale.

Jalgade seadistamine

Kui teie külmik on tasakaalust väljas; Saate oma külmikut tasakaalustada, kui pöörate esimesed jalad nii, nagu joonisel näidatud. Jalaga nurk langeb, kui pöörate seda musta noole suunas, ja tõuseb, kui pöörate seda vastupidises suunas. Kellegi appi kutsumine külmikut õrnalt kergitama on selle tegevuse juures suureks abiks.



Valgusti pirni vahetamine

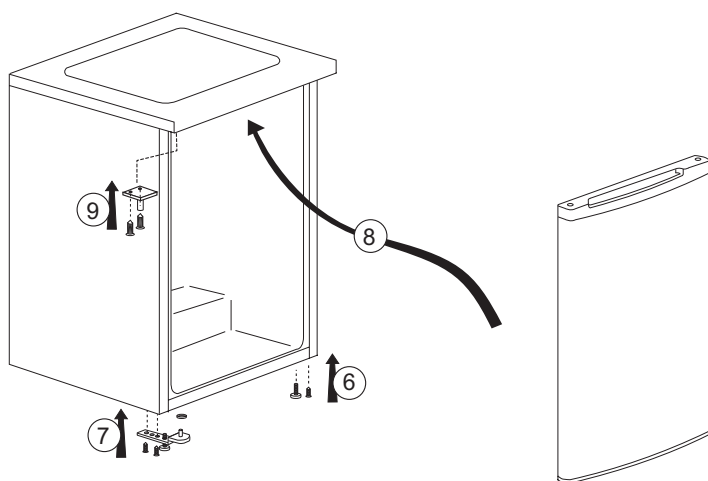
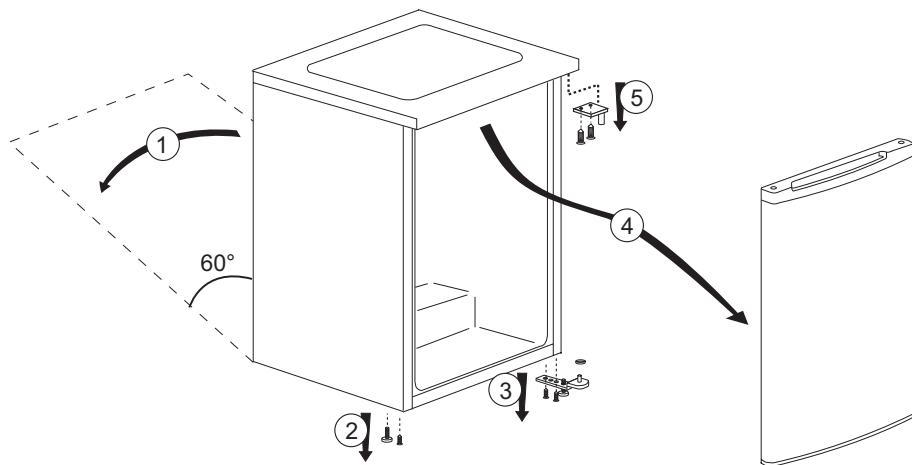
Külmiku sisevalgusti pirni vahetamiseks pöörduge volitatud teenindusse.

Lamp/lambid, mida selles seades kasutatakse, ei sobi kodumajapidamise siseruumide valgustamiseks. Selle lambi sihtotstarbeks, on aidata kasutajal paigutada toiduaineid külmikusse/ sügavkülmikusse ohutult ja mugavalt.

Las lámparas utilizadas en este electrodoméstico deben soportar unas condiciones físicas extremas como temperaturas inferiores a -20°C .

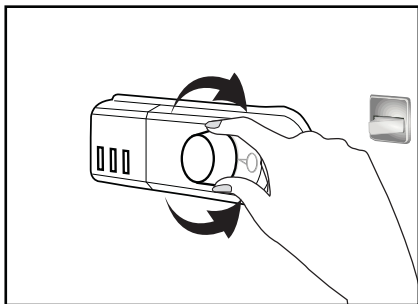
Uste pööramine

Jätkake numbrilises järjestuses.

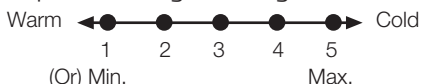


- Teie külmik tuleks paigaldada vähemalt 30 cm kaugusele kuumusallikatest nagu pliidirauad, ahjud, keskküttesüsteem ja pliidad, ning vähemalt 5 cm kaugusele elektrialhjustest. Samuti ei tohiks see asuda otsese päikesevalguse käes.
- Külmiku paigaldamiseks kasutatava ruumi temperatuur peaks olema vähemalt 5°C. Jahedamates tingimustes külmiku kasutamine ei ole tõhususe vähenemise tõttu soovitatav.
- Palun veenduge, et külmiku sisemus on korralikult puhastatud.
- Kui kaks külmikut paigaldatakse kõrvuti, peaks nende vahele jääma vähemalt 2 cm ruumi.
- Kui kasutate külmikut esimest korda, järgige palun esimese kuue tunni jooksul järgnevaid juhiseid.
- Ust ei tohiks sagedasti avada.
- See peab töötama tühjalt, ilma et toitu sees oleks.
- Ärge ühendage külmikut vooluvõrgust lahti. Kui tekib teist sõltumatu voolukatkestus, vaadake palun hoiatusi "Soovituslikud lahendused probleemidele" peatükis.
- Originaalpakend ja vahtmaterjal tuleks alles jätta juhiks, kui tulevikus on vaja külmikut liigutada või kolida.
- Mõnedel mudelitel lülitub juhtpaneel automaatselt 5 minutit peale ukse sulgemist välja. See aktiveerub uuesti, kui uks avada või vajutada mistahes nuppu.
- Seadme ukse avamise ja sulgemisega kaasnevate temperatuurikõikumiste normaalse kaasnähuna tekib ukse- ja siseriulitele ning klaasist mahutitele kondensaat.

5 Külmiku kasutamine



Töötemperatuuri reguleeritakse temperatuuriregulaatoriga.



1 = Madalaim jahutussäte (kõige soojem säte)

5 = kõrgeim jahutussäte (kõige külmem säte)

(või)

Min. = Madalaim jahutussäte (kõige soojem säte)

Max. = kõrgeim jahutussäte (kõige külmem säte)

Keskmine temperatuur jahutuskambris peaks olema umbes +5 °C.

Valige säte vastavalt soovitud temperatuurile.

Seadme töö saate peatada termostaadi nupu keeramisega asendisse 0.

Pange tähele, et jahutuskambri eri kohtades on erinev temperatuur.

Kõige külmem piirkond on vahetult köögiviljasahtli kohal.

Sisetemperatuur oleneb ka ümbrustemperatuurist, ukse avamise sagedusest ja säilitatava toidu kogusest.

Ukse sage avamine põhjustab sisetemperatuuri tõusu.

Seetõttu on soovitatav uks pärast kasutamist võimalikult ruttu sulgeda.

Kõige külmem piirkond asub vahetult jääkambri all.

Suure õhuniiskuse korral võib külmikus tekkida kondensaat; tegu ei ole rikkega. Selle võib ohutusnõudeid järgides kuiva lapiga ära pühkida. Jääkambri ja veekogumisnõu kattumine jää, härmatise või kondensaadiga on igati normaalne.

Seadme sulatamine

Liigse jää teke mõjub negatiivselt seadme jahutusjõudlusele.

Seetõttu on soovitatav vabastada seade jääst vähemalt kaks korda aastas või siis, kui moodustunud jääkihi paksus ületab 7 mm.

Sulatage seade üles ajal, mil seal on vähe toitu või pole üldse.

Võtke toit välja. Mässige toiduained mitme paberikihi või teki sisse ja pange need jahedasse kohta.

Sulatusprotsessi alustamiseks eemaldage seade vooluvõrgust või lülitage võimsuslüliti välja.

Võtke abiseadmed (nt riul, sahtel jms) seadmest välja ning kasutage sulavee jaoks sobivat anumat.

Vajadusel kasutage kambritest sulavee eemaldamiseks käsna või pehmet lappi.

Sulatamise ajal hoidke uks lahti.

Jää kiiremaks eemaldamiseks pange seadme sisse anum sooja veega.

Ärge mingil juhul kasutage jää eemaldamiseks elektriseadmeid, sulatuspihusteid või teravaotsalisi esemeid, nagu nuga või kahvel.

Pärast jää sulatamist puhastage seadme sisemus.

Ühendage seade uuesti voolu võrku. Paigutage külmutatud toiduained sahtlitesse ja lükake sahtlid sügavkülmutisse.

Seadme sulatamiseks lülitage võimsuslüliti välja ja turvalisuse tagamiseks eemaldage pistik vooluvõrgust.

Sulatamise ajaks tuleb aurustusnõu siiber seada talverežiimi asendisse. Pärast sulatamist võib selle vastavalt vajadusele seada kas suve- või talverežiimi asendisse.

Jahutamine

Toiduainete hoidmine

Jahutuskompartiment on ette nähtud värskete toiduainete ja jookide lühiajaliseks hoidmiseks.

Hoidke piimatooteid külmiku vastavas kambris.

Pudeleid võib hoida pudelihoidikus või ukse küljes olevas pudeliriiulis.

Toorest liha on parem hoida polüetüleenkotis külmkapi kõige alumises osas.

Laske kuumal toidul ja joogil enne külmkappi panekut toatemperatuurini jahtuda.

• Tähelepanu

Hoidke kangeid alkohoolseid jooke tihedalt suletud pudelis püstasendis.

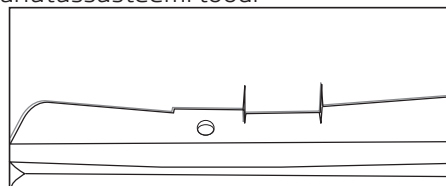
• Tähelepanu

Ärge hoidke seadmes plahvatusohtlike aineid ega mahuteid kergsüttivate ohtlike gaasidega (plekkpurgis hoitav koor, pulverisaatorid jne).

Need võivad plahvatada.



Joonisel näidatud kinnine kaldserv on kujunduselement, mis ei mõjuta jahutussüsteemi tööd.



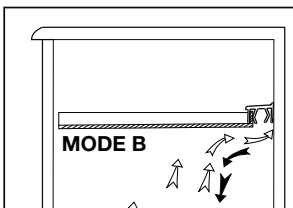
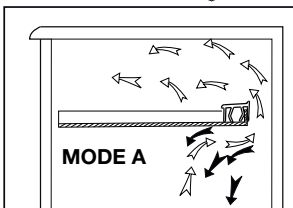
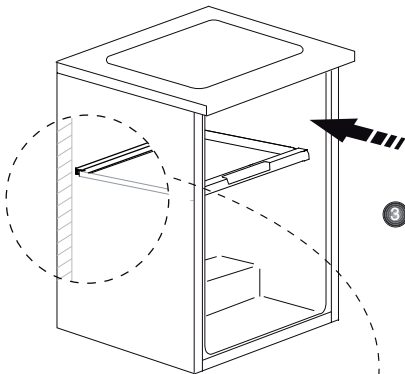
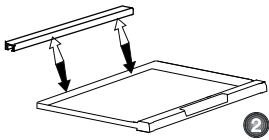
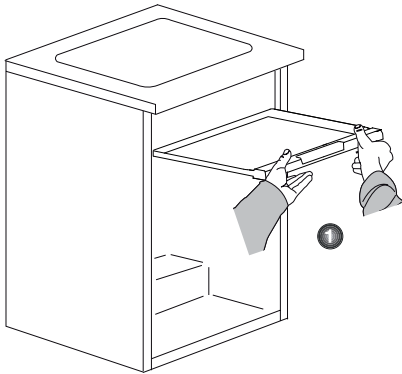
Seadmes soovitud temperatuuri tagamiseks tuleb kasutada aurustusnõu siibrit alltoodud kirjelduse kohaselt. Olenevalt ümbritseva keskkonna temperatuurist kasutatakse külmas keskkonnas talverežiimi ja soojas keskkonnas suverežiimi.

SUVEREŽIIM (REŽIIM A)

Kui on vaja jahedamat temperatuuri...

TALVEREŽIIM (REŽIIM B)

(Kui on vaja soojemat temperatuuri või kui soovitakse seadet sulatada.)



6 Hooldus ja puhastamine

- ⚠ Ärge kunagi kasutage puhastamiseks bensiini, benseeni või sarnaseid aineid.
- ⚠ Me soovime seadme enne puhastamist vooluvõrgust lahti ühendada.
- ⓘ Ärge kunagi kasutage puhastamiseks teravat abrasiivset riista, seepi, majapidamise puhastusvahendit, lahust või vaha.
- ⓘ Mitte külmumisvabadel toodetel võib jahutuskambri tagumisel siseseinal esineda veetilku ja kuni sõrmejämmeduse paksust jääd. Ärge puhastage seda. Ärge sellele mitte kunagi õli või muid sarnaseid aineid määrige.
- ⓘ Kasutage toote välispinna puhastamiseks ainult kergelt niiskeid mikrokiust lappe. Käsnad ja muud liiki puhastuslapid võivad pinda kriimustada.
- ⓘ Kasutage külmkambriga puhastamiseks leiget vett ning pärast kuivatage see.
- ⓘ Kasutage sisemuse puhastamiseks lappi, mida on niisutatud lahuses teelusikatais söögisoodat poole liitri vee kohta, seejärel pühkige kuivaks.
- ⚠ Veenduge, et vett ei satuks lambikorpusesse ja teistesse elektriosadesse.
- ⚠ Kui te ei plaani külmikut pikka aega kasutada, ühendage lahti toitejuhe, eemaldage toit, puhastage kamber ja jätke uks praokile.
- ⓘ Kontrollige uksetihendeid regulaarselt, veendumaks et need on puhtad ja toiduosakestest vabad.
- ⓘ Ukseraamide eemaldamiseks eemaldage nende sisu ja seejärel lihtsalt lükake raam ülespoole pesast välja.
- ⓘ Ärge kasutage seadme välispindade ja kroomitud osade puhastamiseks kloori sisaldavat vett ega puhastusaineid. Kloor põhjustab metallpindade korrodeerumist.
- ⚠ Ärge kasutage teravad ja abrasiivsed tööriistu ega seepi, koduseid puhastusvahendeid, pesemisvahendeid, bensiini, benseeni, vaha jne, muidu tulevad plastosadel olevad tähised maha ning toimub deformeerumine. Kasutage puhastamiseks sooja vett ja pehmet lappi ning kuivatage.

Plastpindade kaitse

- Ärge pange õlisid või õlis küpsetatud toitu külmikusse lahtistes nõudes, kuna need kahjustavad külmiku plastikpindasid. Kui plastpindadele satub õli, puhastage ja loputage vastavat osa koheselt sooja veega.

7 Soovituslikud lahendused probleemidele

Palun vaadake see nimekiri enne läbi, kui teenindusse helistate. See võib aidata säästa aega ja raha. See nimekiri sisaldab sagedasemaid kaebusi, mis ei ole põhjustatud vigase töö või materjalikasutuse tõttu. Mõned siinkirjeldatud funktsioonid võivad teie tootel puududa.

Külmik ei tööta

- Kas külmik on korralikult pistikupessa ühendatud? Sisestage pistik seinakontakti.
- Kas külmiku ühendamiseks kasutatava pesa kaitse või peakaitse on läbi põlenud? Kontrollige kaitset.

Kondensvesi külmiku külmkambril külgeinal. (MULTI ZONE, COOL CONTROL ja FLEXI ZONE)

- Ümbritsev keskkond on väga külm. Sagedane ukse avamine ja sulgemine. Ümbritsev keskkond on väga niiske. Hoiustatava toidu hulgas on avatud mahutites vedelikke. Ukse praokile jätmine.
- Termostaadi külmemale temperatuurile lülitamine.
- Ukse lahtiolekuaja vähendamine või selle harvem kasutamine.
- Avatud nõudes hoitava toidu katmine sobiva esemega.
- Pühkige kondensvesi kuiva lapiga ära ja vaadake, kas see tekib uuesti.

Kompressor ei tööta

- Kompressori kaitsetermostaat lülitub välja ootamatute voolukatkestuste või kiirete sisse-välja lülituste puhul, kuna külmutusaine surve külmiku jahutussüsteemis ei ole veel tasakaalustunud.
- Külmik hakkab tööle umbes kuue minuti pärast. Kui külmik pärast seda tööle ei hakka, helistage palun teenindusse.
- Külmik on sulatustsüklis. See on täisautomaatse sulatusega külmiku puhul tavaline. Sulatustsüklil toimub perioodiliselt.
- Külmik ei ole pistikupessa ühendatud. Veenduge, et pistik on kindlalt seinakontakti sisestatud.
- Kas temperatuuriseadistused on tehtud õigesti? Voolu ei ole. Helistage oma elektritarnijale.

Külmik töötab sagedasti või pikka aega.

- Teie uus külmik võib olla laiem kui eelmine. See on täiesti normaalne nähtus. Suured külmikud töötavad pikemat aega järjest.
- Ümbritseva ruumi temperatuur võib olla kõrge. See on täiesti normaalne nähtus.
- Külmik võib olla hiljuti sisse ühendatud või toitu täis laaditud. Külmiku täielik mahajahtumine võib võtta mõne tunni kauem.
- Külmikusse võib olla hiljuti pandud suur kogus kuuma toitu. Kuum toit põhjustab külmiku pikema tööperioodi, et saavutada ohutu hoistamistemperatuur.
- Uksi võib olla hiljuti avatud või on need pikaks ajaks praokile jäetud. Külmikusse sisenenud soe õhk põhjustab külmiku pikema tööperioodi. Avage uksi harvemini.
- Sügavkülma või külmkambri uks võib olla praokile jäetud. Kontrollige, kas ukсед on korralikult kinni.
- Külmik on seadistatud väga madalale temperatuurile. Seadistage külmik kõrgemale temperatuurile ja oodake, kuni see saavutatakse.
- Külmiku või sügavkülmiku uksetihend võib olla määrdunud, kulunud, katki või lahti. Puhastage või asendage tihend. Kahjustatud/ katkine tihend sunnib külmikut töötama kauem aega järjest, et hoida ettenähtud temperatuuri.

Sügavkülmiku temperatuur on väga madal, samas kui külmiku temperatuur on piisav.

- Sügavkülmiku temperatuur on seadistatud väga madalale. Seadke sügavkülmiku temperatuur soojemale tasemele ja kontrollige uuesti.

Külmiku temperatuur on väga madal, samas kui sügavkülmiku temperatuur on piisav.

- Külmiku temperatuur on seadistatud väga madalale. Seadke külmiku temperatuur soojemale tasemele ja kontrollige uuesti.

Külmiku sahtlites hoitav toit kipub jäätuma.

- Külmiku temperatuur on seadistatud väga madalale. Seadke külmiku temperatuur soojemale tasemele ja kontrollige uuesti.

Temperatuur külmikus või sügavkülmikus on väga kõrge.

- Külmiku temperatuur on seadistatud väga kõrgele. Külmiku seadistus mõjutab ka sügavkülmiku temperatuuri. Muutke külmiku või sügavkülma temperatuuri, kuni see jõuab piisava tasemeni.
- Uks võib olla praokile jäetud. Sulgege uks täielikult.
- Külmikusse võib olla hiljuti pandud suur kogus kuuma toitu. Oodake, kuni külmik või sügavkülmik jõuab soovitud temperatuurini.
- Külmik võib olla alles hiljuti vooluvõrku ühendatud. Külmiku täielik jahtumine võtab suuruse tõttu aega.

Külmikust kostab kella tiksumisega sarnanevat heli.
<ul style="list-style-type: none"> Seda heli tekitab külmiku solenoidklapp. Solenoidklapi ülesanne on tagada jahutamine ja jahutusaine liikumine läbi jahutuskambri, mida saab reguleerida jahutus- või külmutusrežiimile. See on normaalne ning tegu ei ole rikkega.
Töömüra suureneb, kui külmik töötab.
<ul style="list-style-type: none"> Külmiku tööjõudlusomadused võivad muutuda sõltuvalt ümbritsevast temperatuurist. See on normaalne ning tegu ei ole rikkega.
Vibratsioon või müra.
<ul style="list-style-type: none"> Põrand ei ole tasane või on nõrk. Külmik kõigub, kui seda aeglaselt lükata. Veenduge, et põrand on tasane, tugev ja sobib külmiku toetamiseks. Müra võivad põhjustada külmikule asetatud esemed. Sellised esemed tuleks külmiku pealt eemaldada.
On kuulda vedeliku voolamise või pihustamise häält.
<ul style="list-style-type: none"> Vedeliku ja gaasi liikumine toimuvad vastavalt teie külmiku tööpõhimõttele. See on normaalne ning tegu ei ole rikkega.
On kuulda tuule puhumise sarnast häält.
<ul style="list-style-type: none"> Külmiku tõhusamaks jahutamiseks kasutatakse õhuliigutajaid (ventilaatoreid). See on normaalne ning tegu ei ole rikkega.

Kondensvesi külmiku siseseintel.
<ul style="list-style-type: none"> Kuum ja niiske ilm suurendab jäätumist ja kondensatsiooni. See on normaalne ning tegu ei ole rikkega. Uksed on praakil. Veenduge, et uksed on täielikult suletud. Uksi võib olla väga tihti avatud või on nad pikaks ajaks lahti jäetud. Avage ust harvemini.
Külmiku välisküljele või uste vahele tekib niiskus.
<ul style="list-style-type: none"> Ilm võib olla niiske. See on niiske ilmaga täiesti normaalne. Kui niiskust on vähem, kaob ka kondensatsioon.
Halb lõhn külmiku sees.
<ul style="list-style-type: none"> Külmiku sisemust peab puhastama. Puhastage külmiku sisemust käsna, sooja vee või gaseeritud veega. Lõhna võivad põhjustada mõned nõud või pakkematerjalid. Kasutage teist nõu või erinevat marki pakkematerjali.
Uks(ed) ei sulgu.
<ul style="list-style-type: none"> Toidupakendid võivad takistada ukse sulgumist. Asendage pakendid, mis ust takistavad. Külmik ei paikne ilmselt põrandal täiesti vertikaalselt ja võib kergel liigutamisel kõikuda. Seadistage tasakaalustuskrusid. Põrand ei ole tasane või tugev. Veenduge, et põrand on tasane ja sobib külmiku toetamiseks.
Sahtlid on kinni kiilunud.
<ul style="list-style-type: none"> Toit võib puutuda vastu sahtli lage. Seadke toit sahtlis ümber.

Kui Toote Pind On Kuum.

- Kõrget temperatuuri võib toote töö ajal esineda kahe ukse vahel, külgsuunalistel ja tagavõrel. See on normaalne ega vaja hooldustehniku sekkumist. Olge nende piirkondade puudutamisel ettevaatlik.

beko

Hladnjak

Korisnički priručnik

Ψυγείο

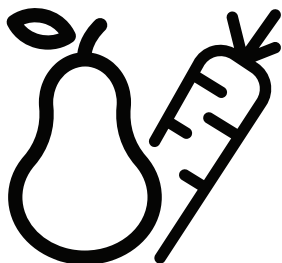
Εγχειρίδιο Χρήστη

الثلاجة

دليل المستخدم

Frigorifer

Manuali i përdoruesit



TS 190320 - TS 190340N

HR / EL / AR / SQ



RECIKLIRANI I
RECIKLAŽNI PAPIR



ΑΝΑΚΥΚΛΩΜΕΝΟ &
ΑΝΑΚΥΚΛΩΣΙΜΟ ΧΑΡΤΙ



الورق المعاد تدويره
والقابل لإعادة التدوير

48 9822 0000/BK
5/5

Molimo prvo pročitajte ovaj priručnik!

Poštovani kupci,

Nadamo se da će vam naš proizvod, proizveden u suvremenim postrojenjima i provjeren po strogim procedurama kontrole kvalitete, pružiti učinkovit rad.

Zbog toga vam preporučujemo da pažljivo pročitate cijeli priručnik proizvoda prije uporabe te da ga čuvate na pristupačnom mjestu zbog buduće uporabe.




Ovaj priručnik

- Će vam pomoći da koristite svoj uređak brzo i sigurno.
- Pročitajte priručnik prije instaliranja i rada s vašim proizvodom.
- Slijedite upute, posebno one vezane za sigurnost.
- Ćuvajte priručnik na lako dostupnom mjestu jer vam može zatrebati kasnije.
- Osim toga, također pročitajte druge dokumente dostavljene s vašim proizvodom.

Molimo imajte na umu da ovaj priručnik može vrijediti i za druge modele.

Simboli i njihovi opisi

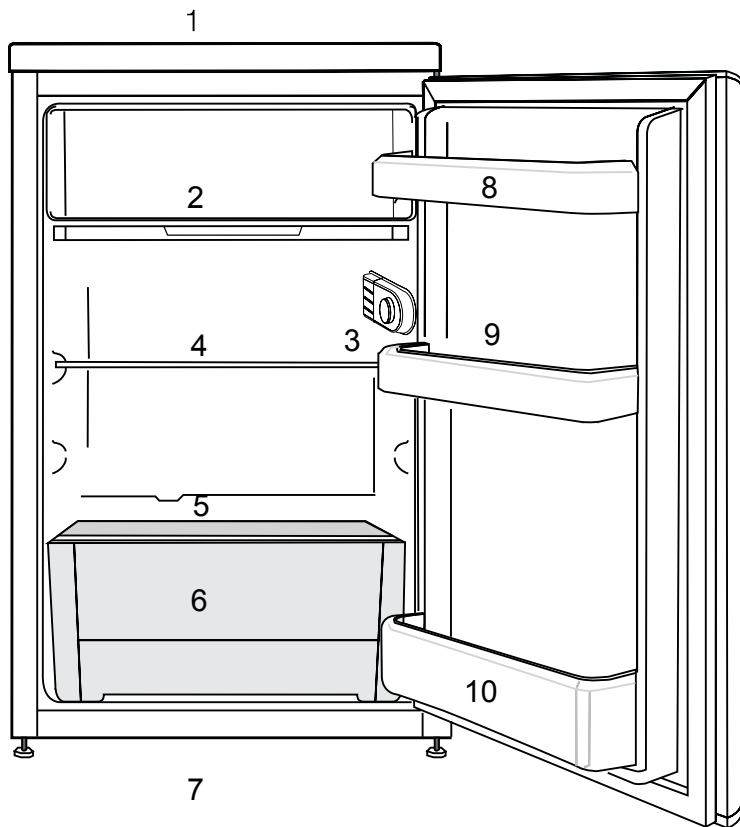
Ovaj korisnički priručnik sadrži sljedeće simbole:

-  Važne informacije ili korisni savjeti za uporabu.
-  Upozorenja protiv opasnosti po život i imovinu.
-  Upozorenje protiv električnog napona.

SADRŽAJ

1 Vaš hladnjak	3	4 Priprema	16
2 Važna sigurnosna upozorenja	4	5 Uporaba vašeg hladnjaka	17
Predviđena namjena	4	Odmrzavanje uređaja.....	17
Za proizvode s raspršivačem za vodu;	9	Hlađenje.....	18
Sigurnost djece	9	Spremanje hrane.....	18
Usklađenost s Direktivom o električnom i elektroničkom opremom (WEEE) i zbrinjavanju otpada:	10	6 Održavanje i čišćenje	20
Usklađenost s Direktivom o zabrani uporabe određenih opasnih tvari u električnoj i elektroničkoj opremi (RoHS):.....	10	Zaštita plastičnih površina	20
Upozorenje za HC	10	7 Preporučena rješenja za probleme	21
Stvari koje se trebaju uraditi za uštedu energije.....	10		
3 Instalacija	12		
Stvari kojih se treba pridržavati kod ponovnog transporta vašeg hladnjaka.....	12		
Prije uključivanja vašeg hladnjaka....	12		
Električno spajanje	12		
Odlaganje pakiranja.....	13		
Odlaganje stalnog hladnjaka	13		
Postavljanje i instalacija	13		
Prilagođavanje nogu	14		
Promjena lampice za osvjetljenje	14		
Mijenjanje smjera otvaranja vrata	15		

1 Vaš hladnjak



- | | |
|---|-----------------------|
| 1. Gornja tablica | 6. Odjeljci za povrće |
| 2. Odvod | 7. Podesive noge |
| 3. Unutarnja svjetla & Tipka termostata | 8. Polica vrata |
| 4. Pomični separatori | 9. Držač jaja |
| 5. Poklopac odjeljka za povrće | 10. Police za boce |

i Slike koje se nalaze u ovom priručniku su shematske i možda se ne ogovaraju u potpunosti vašem proizvodu. Ako dijelovi naslova nisu sadržani u proizvodu koji ste kupili, onda to vrijedi za ostale modele.

2 Važna sigurnosna upozorenja

Molimo pregledajte sljedeće informacije. Nepridržavanje ovih informacija može uzrokovati ozljede ili materijalnu štetu. U suprotnom će sva upozorenja i obveze za pouzdanost postati nevaljane.

Originalni rezervni dijelovi bit će dostupni 10 godina od datuma kupovine proizvoda.

Predviđena namjena

UPOZORENJE:
Ventilacijski otvori uređaja trebaju biti u kućištu ili unutar ugradbene strukture, te ne smije biti prepreka.

UPOZORENJE:
Ne koristite mehaničke uređaje ili druga sredstva za ubrzanje postupka odmrzavanja, osim onih koje je preporučio proizvođač.

⚠	UPOZORENJE: Nemojte oštetiti sklop rashladnog sredstva.
⚠	UPOZORENJE: Ne koristite električne uređaje unutar odjeljaka za čuvanje hrane u uređaju, osim ako nisu tip koji je preporučio proizvođač.
⚠	UPOZORENJE: Nemojte spremate eksplozivne supstance kao što su kantice sa sprejem sa zapaljivim pogonskim sredstvom u ovaj uređaj.

Ovaj uređaj namijenjen je uporabi u kućanstvu te za primjenu u prostorima poput:

- kuhinja za osoblje, u trgovinama, uredima i drugim radnim okruženjima;
- od strane gostiju u hotelima, motelima ili drugim vrstama sličnih uslužnih objekata;

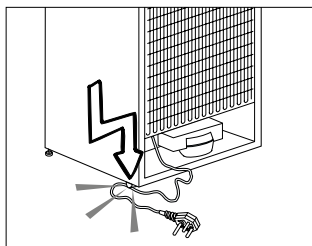
- u uslužnim objektima poput pansiona.
- za cetering i slične primjene različite od maloprodaje.

Opća sigurnost

- Kad budete željeli odložiti uređaj, preporučujemo da konzultirate ovlaštenu servisnu službu da biste saznali potrebne informacije i ovlaštena tijela.
- Konzultirajte se s ovlaštenim servisom za sva pitanja i probleme vezane za hladnjak. Nemojte intervenirati ili dopustiti da netko intervenira na hladnjaku bez prethodnog obavještanja ovlaštenih servisa.
- Za proizvode u odjeljku škrinje; Ne jedite kornete sladoleda i kockice leda odmah nakon vađenja kad ih izvadite iz odjeljka hladnjaka! (To može uzrokovati ozljede od hladnoće u vašim ustima.)
- Za proizvode s odjeljkom sa škrinjom; ne stavljajte tekućinu u bocama i konzervama u odjeljak škrinje. U suprotnom bi mogli puknuti.
- Ne dodirujte smrznutu hranu rukom; može vam se zalijepiti za ruku.
- Isključite svoj hladnjak prije čišćenja ili odmrzavanja.
- Para i raspršujuća sredstva za čišćenje se nikada ne smiju koristiti tijekom postupka čišćenja i odmrzavanja u vašem hladnjaku. U takvim slučajevima, para može doći u kontakt s električnim dijelovima i uzrokovati kratki spoj ili strujni udar.
- Nikada ne koristite dijelove vašeg hladnjaka, kao što su vrata, za pridržavanje ili za stajanje na njima.
- Ne koristite električne uređaje unutar hladnjaka.
- Ne oštećujte dijelove gdje cirkulira rashladno sredstvo pomoću alata

- za bušenje ili rezanje. Rashladno sredstvo koje može eksplodirati kad se plinski kanali isparivača, produžetka cijevi ili površinskih premaza probuše, može uzrokovati iritaciju kože i ozljede oka.
- Ne pokrivajte i ne blokirajte otvore za ventilaciju na vašem hladnjaku bilo kakvim materijalom.
 - električne aparate smiju popravljati samo ovlaštene osobe. Popravke koje izvrše nestručne osobe mogu predstavljati rizik za korisnika.
 - U slučaju bilo kakvog kvara tijekom održavanja ili popravke, otpojite hladnjak s napajanja ili isključivanjem odgovarajućeg osigurača ili isključivanjem vašeg uređaja iz struje.
 - Kod isključivanja utikača, nemojte povlačiti za kabel.
- Pića s visokim udjelom alkohola potrebno je pravilno spremiti, u uspravnom položaju i s čvrsto zatvorenim poklopcem.
 - Nikada ne držite konzerve sa sprejevima koji sadrže zapaljive i eksplozivne tvari u hladnjaku.
 - Ne koristite mehaničke uređaje ili druge načine za ubrzavanje procesa topljenja, osim onih koje preporuča proizvođač.
 - Ovaj uređaj nije namijenjen uporabi od strane osoba s fizičkim osjetilnim ili mentalnim nedostacima ili osoba bez znanja ili iskustva (uključujući djecu), osim ako su pod nadzorom osobe koja će biti odgovorna za njihovu sigurnost ili koja će ih valjano uputiti o uporabi proizvoda.
 - Ne uključujte oštećeni hladnjak. Konzultirajte se sa serviserom ako imate bilo kakvih nedoumica.

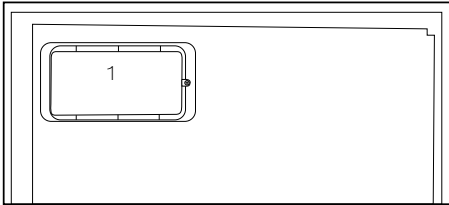
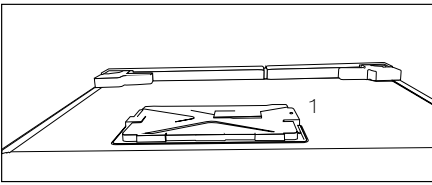
- Za električnu sigurnost vašeg hladnjaka se jamči samo ako je uzemljenje u vašoj kući u skladu sa standardima.
- Izlaganje proizvoda kiši, snijegu, suncu i vjetru je opasno u pogledu električne sigurnosti.
- Kad je oštećen kabel, javite se ovlaštenom servisu da izbjegnute opasnost.
- Nikada ne uključujte hladnjak u zidnu utičnicu tijekom instalacije. Inače može doći do opasnosti po život ili ozbiljne ozljede.
- Hladnjak je namijenjen samo držanju hrane. Ne smije se koristiti u bilo koje druge svrhe.
- Naljepnica s tehničkim specifikacijama se nalazi na lijevoj stijenci unutar hladnjaka.
- Nikada ne spajajte hladnjak na sustave za uštedu energije; oni mogu oštetiti hladnjak.
- Ako na hladnjaku postoji plavo svjetlo, nemojte gledati u plavo svjetlo optičkim alatima.
- Za hladnjake kojima se upravlja manualno, sačekajte bar 5 minuta da biste uključili hladnjak nakon nestanka el. energije.
- Ukoliko se uređaj da nekom drugom, korisnički priručnik se mora predati novom vlasniku.
- Pazite da ne oštetite kabel kod prijevoza hladnjaka. Presavijanje kabela može uzrokovati požar. Nikada ne stavljajte teške predmete na kabel napajanja. Ne dodirujte utikač mokrim rukama kad uključujete uređaj.



- Ne uključujte hladnjak ako je električna utičnica labava.
- Voda se ne smije špricati izravno na unutarnje ili vanjske

dijelove proizvoda zbog sigurnosnih razloga.

- Nemojte špricati tvari koje sadrže zapaljive plinove kao što je propan blizu hladnjaka da biste izbjegli opasnost od požara i eksplozije.
 - Nikada na hladnjak ne stavljajte posude s vodom, jer inače mogu uzrokovati električni udar ili požar.
 - Nemojte prepuniti hladnjak s previše hrane. Ako se prepuni, hrana može pasti i ozlijediti vas kad otvorite vrata. Nikad ne stavljajte predmete na hladnjak, inače ti predmeti mogu pasti kad otvarate ili zatvarate vrata hladnjaka.
 - Proizvodi za koje je potrebna precizna kontrola temperature, cjepiva, lijekovi osjetljivi na toplinu, znanstveni materijali, itd. se ne smiju držati u hladnjaku.
 - Ako se neće koristiti dulje vrijeme, hladnjak se treba isključiti.
- Mogući problem na kabeu napajanja može uzrokovati požar.
- Hladnjak se može pomaknuti ako podesive noge nisu pravilno pričvršćena na podu. Pravilno pričvršćivanje podesivih nogu na podu može spriječiti pomicanje hladnjaka.
 - Kad nosite hladnjak, nemojte ga držati za ručku vrata. U suprotnom, može puknuti.
 - Kad morate staviti svoj proizvod pored drugog hladnjaka ili škrinje, udaljenost između uređaja treba biti najmanje 8 cm. U suprotnom, susjedne bočne stijenke se mogu navlažiti.
 - Nikad ne koristite proizvod ako dio koji se nalazi na vrhu ili poledini proizvoda ima elektroničke tiskane pločice unutar otvora (poklopac elektroničke tiskane pločice)(1).



Za proizvode s raspršivačem za vodu;

- Tlak na ulaznom otvoru hladne vode treba biti maksimalno 90 psi (6.2 bar). Ako tlak vode premaši (5,5 bar) tada na cijevima za opskrbu vodom koristite tlačno-granični ventil. Ako ne znate kako provjeriti tlak vode tada potražite pomoć kod profesionalnog vodoinstalatera.
- Ako u instalacijama postoji opasnost od efekta vodenog udara tada u instalacijama uvijek koristite opremu za sprječavanje vodenog

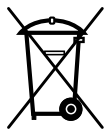
udara. Posavjetujte se s profesionalnim vodoinstalaterom ako niste sigurni postroji li efekt vodenog udara u instalacijama.

- Ne instalirajte na ulaznom otvoru za vruću vodu. Poduzmite mjere opreza zbog opasnosti od zamrzavanja cijevi. Radni interval temperature vode treba biti minimalno 33°F (0.6°C) i maksimalno 100°F (38°C).
- Koristite samo pitku vodu.

Sigurnost djece

- Ako vrata imaju bravu, ključ se treba držati podalje od dosega djece.
- Djeca moraju biti pod nadzorom da bi se spriječilo neovlašteno korištenje proizvoda.

Usklađenost s Direktivom o električnom i elektroničkom opremom (WEEE) i zbrinjavanju otpada:



Ovaj proizvod usklađen je s EU Direktivom WEEE (2012/19/EU). Ovaj proizvod nosi lasifikacijsku oznaku za električni i elektronski otpad (WEEE).

Ovaj je proizvod proizveden s visokokvalitetnim dijelovima i materijalima koji se mogu ponovno upotrijebiti i prikladni su za reciklažu. Ne odlažite otpadne uređaje s normalnim otpadom iz kućanstva i drugim otpadom na kraju servisnog vijeka. Odnosite ga u sabirni centar za recikliranje električne i elektroničke opreme. Obratite se lokalnim vlastima da biste saznali više informacija o sabirnim centrima.

Usklađenost s Direktivom o zabrani uporabe određenih opasnih tvari u električnoj i elektroničkoj opremi (RoHS):

Proizvod koji ste kupili usklađen je s EU Direktivom RoHS (2011/65/EU). Ne sadrži štetne i zabranjene materijale navedene u Direktivi.

Podaci o pakiranju Ambalažni materijali proizvoda proizvedeni su od reciklirajućih materijala sukladno našim nacionalnim propisima o zaštiti okoliša. Ambalažne materijale ne odlažite skupa s kućnim ili drugim otpadom. Odnosite ih u sabirne centre ambalažnog otpada koje su odredile lokalne vlasti.

Upozorenje za HC

Ako rashladni sustav vašeg uređaja sadrži R600a:

Ovaj plin je zapaljiv. Zato pazite da tijekom uporabe i transporta ne oštetite sustav za hlađenje i cijevi. U slučaju oštećenja, držite uređaj podalje od potencijalnog izvora plamena koji može dovesti do toga da uređaj zapali, te prozračujete sobu u kojoj se nalazi uređaj.

Ignorirajte ovo upozorenje ako rashladni sustav vašeg uređaja sadrži R134a.

Vrsta plina koja se koristi u proizvodu je navedena na tipskoj pločici koja je na lijevoj stijenci unutar hladnjaka.

Nikada kod odlaganja ne bacajte uređaj u vatru.

Stvari koje se trebaju uraditi za uštedu energije

- Ne ostavljajte vrata vašeg hladnjaka otvorena dulje vrijeme.
- Ne stavljajte toplu hranu ili pića u hladnjak.
- Nemojte prepuniti hladnjak tako da se ne sprječava cirkuliranja zraka u unutrašnjosti.
- Ne postavljajte vaš hladnjak izravno na sunčevu svjetlost ili blizu uređaja koji emitiraju toplinu kao što su pećnice, perilice suđa ili radijatori.
- Pazite da držite svoju hranu u zatvorenim posudama.
- Za uređaje s odjeljkom škrinje; možete spremati maksimalnu količinu hrane u škrinju kad uklonite policu ili ladicu škrinje. Vrijednost potrošnje energije koja je navedena za vaš hladnjak je određena tako da je uklonjena policu ili ladicu škrinje i

pod maksimalnim opterećenjem. Ne postoji opasnost od uporabe police ili ladice prema oblicima i veličinama hrane koja će biti zamrznuta.

- Topljenje smrznute hrane u odjeljku hladnjaka će osigurati uštedu energije u sačuvati kvalitetu hrane.

3 Instalacija

⚠ Molimo imajte na umu da se proizvođač neće smatrati odgovornim ukoliko se ne budete pridržavali informacija navedenih u korisničkom priručniku.

Stvari kojih se treba pridržavati kod ponovnog transporta vašeg hladnjaka

1. Vaš hladnjak mora biti ispražnjen i očišćen prije bilo kakvog transporta.
2. Police, dodaci, odjeljak za povrće itd. u vašem hladnjaku moraju biti čvrsto pričvršćeni ljepljivom trakom zbog treskanja prije ponovnog pakiranja.
3. Pakiranje se mora pričvrstiti ljepljivom trakom i mora se pridržavati pravila o transportu ispisanih na pakiranju.

Molimo ne zaboravite...

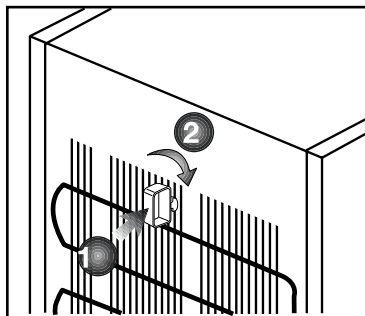
Svaki reciklirani materijal je nezamjenjiv izvor za prirodu i za naše nacionalne izvore.

Ako želite pridonijeti reciklaži materijala pakiranja, možete dobiti dodatne informacije od ureda za okoliš ili lokalnih vlasti.

Prije uključivanja vašeg hladnjaka

Prije početka uporabe vašeg hladnjaka provjerite sljedeće:

1. Je li unutrašnjost hladnjaka suha i može li zrak slobodno cirkulirati sa stražnje strane?
2. Možete postaviti 2 plastična klina kako je prikazano na slici. Plastični klinovi će dati osigurati potrebnu udaljenost između vašeg hladnjaka i zida da bi se omogućilo cirkuliranje



zraka. (Slika s ilustracijom je samo primjer i ne odgovara u potpunosti vašem proizvodu.)

3. Čut ćete buku kad kompresor počne raditi. Tekućine i plinovi zabrtvljeni u rashladnom sustavu također mogu stvarati buku, čak i kad kompresor ne radi i to je potpuno normalno.
4. Prednji krajevi hladnjaka mogu biti topli na opip. To je u normalno. Ova područja su napravljena da budu topla da bi se se izbjegla kondenzacija.

Električno spajanje

Spojite svoj proizvod u uzemljenu utičnicu koja je zaštićena osiguračem odgovarajućeg kapaciteta.

Važno:

- Spoj mora biti u skladu s nacionalnim zakonskim odredbama.
 - Kabel napajanja mora biti lako dostupan nakon postavljanja.
 - Navedeni napon mora biti jednak naponu el. energije.
 - Produžni kabeli i razvodnici se ne smiju koristiti za spajanje.
- ⚠ Oštećeni kabel napajanja mora zamijeniti kvalificirani električar.

⚠ Proizvod ne smije raditi prije popravke! Postoji opasnost od električnog udara!

Odlaganje pakiranja

Materijali pakiranja mogu biti opasni za djecu. Čuvajte materijale pakiranja dalje od dohvata djece ili ih odložite svrstavanjem u skladu s uputama o odlaganju. Nemojte ih odlagati s normalnim otpadom iz kućanstva.

Pakiranje vašeg hladnjaka je proizvedeno od recikliranih materijala.

Odlaganje stalnog hladnjaka

Odlaganje vašeg starog stroja bez štete za okoliš.

- O odlaganju vašeg hladnjaka se možete konzultirati s vašim ovlaštenim dobavljačem ili centrom za sakupljanje otpada u vašoj općini.

Prije odlaganja vašeg hladnjaka, odrežite električni utikač i, ukoliko postoje bilo kakve brave na vratima, onesposobite ih da biste zaštitili djecu od bilo kakve opasnosti.

Postavljanje i instalacija

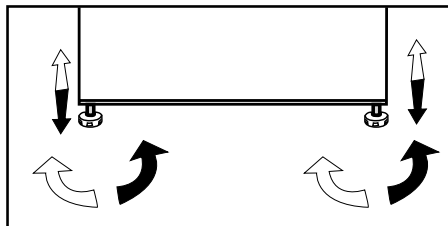
⚠ Ako ulaz u prostoriju gdje će biti postavljen hladnjak nije dovoljno širok da hladnjak kroz njega prođe, pozovite ovlaštenu servisnu ekipu da skine vrata vašeg hladnjaka tako da kroz vrata prođe bočno.

1. Instalirajte vaš hladnjak na mjesto koje dopušta laku uporabu.
2. Držite vaš hladnjak podalje od izvora topline, vlažnih mjesta i direktne sunčeve svjetlosti.
3. Da bi se postigao učinkoviti rad, oko vašeg hladnjaka mora postojati odgovarajuća ventilacija. Ako se hladnjak treba postaviti u otvor u zidu, mora postojati udaljenost najmanje 5 cm od plafona i 5 cm od zida.
4. Ako je pod prekriven tepihom, vaš uređaj mora biti podignut od poda 2.5 cm. Stavite svoj hladnjak na ravnu površinu poda da biste spriječili udarce.

Prilagođavanje nogu

Ako vaš hladnjak nije u ravnoteži;

Možete postaviti hladnjak u ravnotežu okretanjem prednjih nožica kako je prikazano na slici. kut gdje se nalaze noge je spušten kad okrenete u smjeru crne strelice a diže se kad okrenete u suprotnom smjeru. Ovaj postupak će biti lakši ako nekoga zamolite da malo podigne hladnjak.



Promjena lampice za osvjetljenje

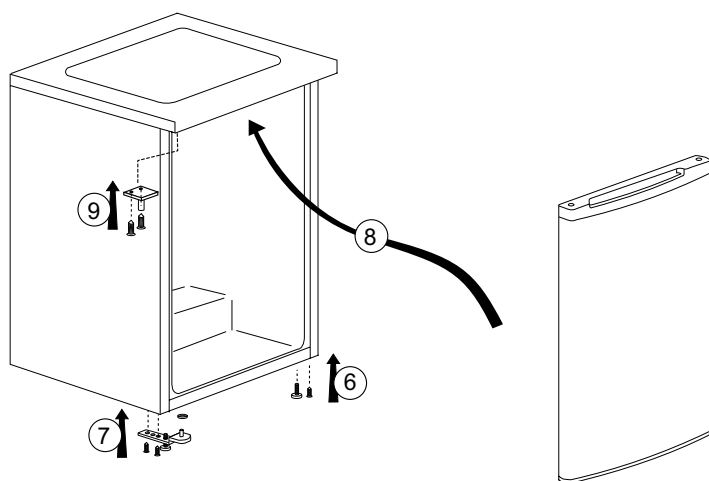
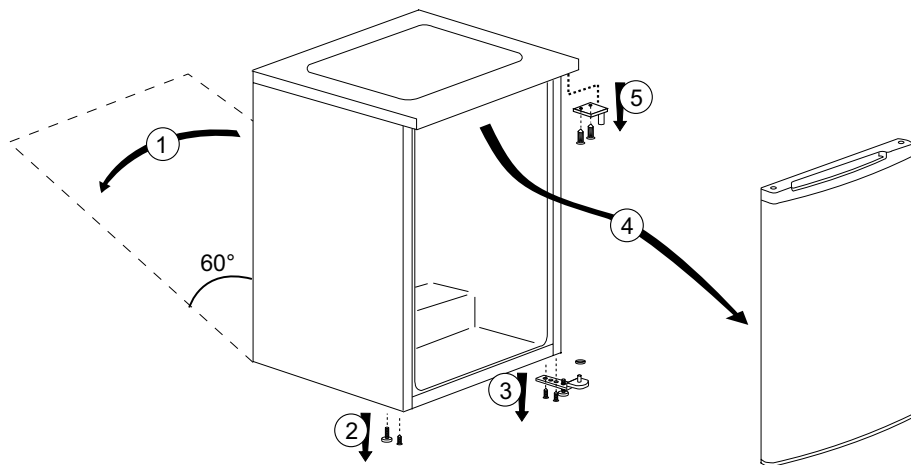
Da biste zamijenili lampicu koja se koristi za osvjetljavanje, molimo nazovite svoj ovlaštenu servis.

Lampa koja se koristi u ovom uređaju nije podesna za uporabu za osvjetljenje doma. Predviđena namjena ove lampe je da pomogne korisniku da stavi hranu u hladnjak/škrinju na siguran i ugodan način.

Svjetiljke ovog uređaja moraju podnijeti ekstremne uvjete poput temperatura nižih od -20 °C.

Mijenjanje smjera otvaranja vrata

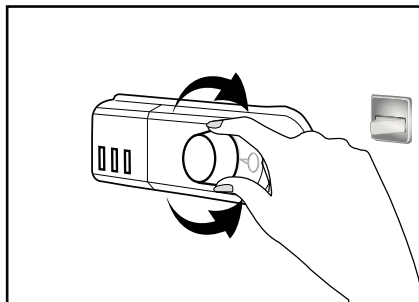
Nastavite po rednim brojevima



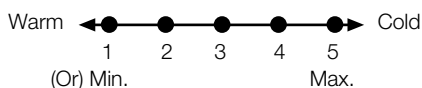
4 Priprema

- Vaš hladnjak se treba postaviti najmanje 30 cm od izvora topline kao što su plamenici, pećnice, grijalice i štednjaci i najmanje 5 cm dalje od električnih pećnica te se ne smiju stavljati na direktnu sunčevu svjetlost.
- sobna temperatura u prostoriji u koju postavite hladnjak treba biti najmanje 5°C. Rad vašeg hladnjaka u hladnijim uvjetima od navedenih se ne preporuča vezano za učinkovitost.
- Pazite da se unutrašnjost vašeg hladnjaka temeljito čisti.
- Ako se dva hladnjaka trebaju instalirati jedan do drugog, između njih treba postojati razmak od najmanje 2 cm.
- Kada prvi put uključite hladnjak, molimo pridržavajte se sljedećih uputa tijekom prvih šest sati.
- Vrata se ne smiju često otvarati.
- Mora raditi prazan, bez ikakve hrane u njemu.
- Ne isključujte vaš hladnjak. Ako dođe do nestanka el. energije na koji ne možete utjecati, molimo pogledajte upozorenja u dijelu "Preporučena rješenja problema".
- Originalno pakiranje i materijali od pjene se trebaju čuvati zbog budućeg transporta ili selidbe.

5 Uporaba vašeg hladnjaka



Temperatura rada se regulira tipkom za kontrolu temperature.



1 = Najniža postavka hlađenja (najtoplija postavka)

5 = Najviša postavka hlađenja (najhladnija postavka)

(Ili)

Min. = Najniža postavka hlađenja (Najtoplija postavka)

Max. = Najviša postavka hlađenja (Najhladnija postavka)

Prosječna temperatura unutar hladnjaka treba biti oko +5°C.

Molimo odaberite postavku prema željenoj temperaturi.

Možete prekinuti rad Vašeg uređaja prilagođavanjem tipke termostata na položaj "0".

Molimo imajte na umu da će u prostoru za hlađenje biti različitih temperatura.

Najhladniji dio je odmah iznad odjeljka za povrće.

Unutarnja temperatura također ovisi o temperaturi okoline, učestalosti otvaranja vrata i količini hrane koja se nalazi unutra.

Često otvaranje vrata dovodi do rasta unutarnje temperature.

Zbog tog razloga, preporučamo zatvaranje vrata nakon uporabe što je češće moguće.

Najhladniji dio je odmah ispod odjeljka za stvaranje leda.

Za visoke vlage, na Vašem hladnjaku se može stvarati kondenzat; to nije kvar. Može se obrisati suhom krpom prema sigurnosnim uputama. Stvaranje leda, zamrzavanje i kondenzacija su normalni za odjeljak za led i odjeljak za odlijevanje vode.

Odmrzavanje uređaja

Pretjerano nakupljanje leda će utjecati na performanse zamrzavanja Vašeg uređaja.

Zato se preporuča da svoj uređaj odmrzavate bar dva puta godišnje, ili kad god se nakupi 7 mm leda.

Odmrzavajte svoj uređaj kad je u njemu malo hrane ili kad u njemu nema hrane.

Izvadite hranu van. Zamotajte hranu u nekoliko slojeva papira/novina ili deku i držite je na hladnom mjestu.

Isključite uređaj iz struje ili isključite sklopku da biste uključili postupak odmrzavanja.

Izvadite dodatke (kao što su police, ladica, itd.) iz uređaja i pomoću odgovarajućeg spremnika skupite vodu koja se topi.

Pomoću spužve ili meke krpe po potrebi uklonite vodu koja se otapa u odjeljcima.

Držite vrata otvorena tijekom odmrzavanja.

Za brzo odmrzavanje, stavite spremnike s toplom vodom u uređaj.

Nikada nemojte koristiti električne aparate, sprejeve za odmrzavanje ili predmete s oštricom kao što su noževi ili vilice da biste uklonili led.

Kad odmrzavanje bude gotovo, očistite unutrašnjost.

Ponovno spojite uređaj u struju. Stavite smrznutu hranu u ladice i stavite ladice u hladnjak.

Isključite sklopku i isključite uređaj zbog vaše sigurnosti da pokrenete postupak odmrzavanja.

Tijekom odmrzavanja, damper posude za isparavanje se treba staviti kao da je u zimskom načinu rada. Nakon odmrzavanja, može se postaviti na ljetni ili zimski način rada, po potrebi.

Hlađenje

Spremanje hrane

Odjeljak hladnjaka služi za kratkotrajnu pohranu svježe hrane i pića.

Mliječne proizvode držite u za to predviđenom pretincu u hladnjaku.

Boce se mogu držati u držaču za boce ili na policama za boce na vratima.

Svježe meso je najbolje držati u plastičnim vrećicama u pretincu na dnu hladnjaka.

Pustite da se hrana i piće ohlade na sobnu temperaturu prije nego ih stavite u hladnjak.

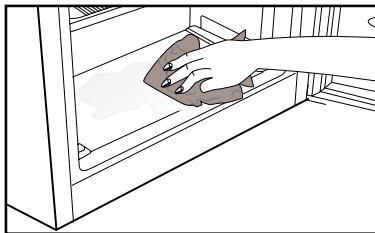
• Pažnja

Koncentrirani alkohol stavljajte samo uspravno i čvrsto zatvoren.

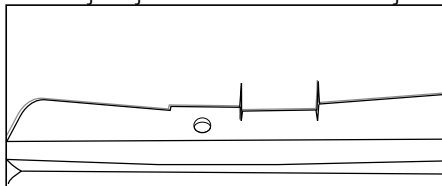
• Pažnja

Ne držite u uređaju eksplozivne tvari ili spremnike sa zapaljivim plinom (šlag u spreju, sprejevi, itd.)

Postoji opasnost od eksplozije.



Prikazano ispuščenje je dio dizajna, nema utjecaja na sustav za hlađenje.



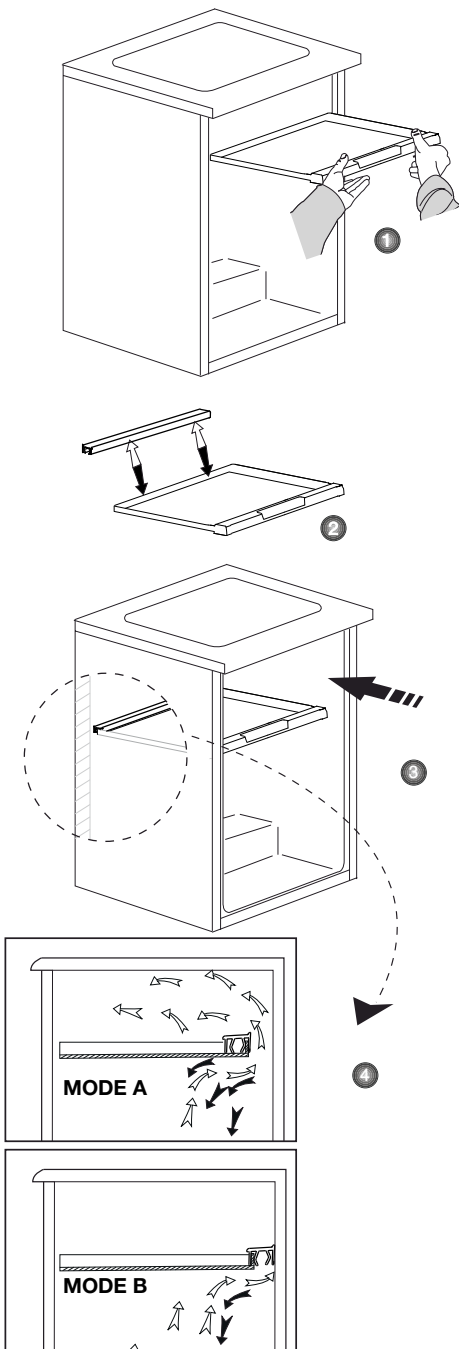
Damper posude za isparavanje se treba koristiti kako je opisano dolje da bi se održala željena temperatura odjeljka ovisno o temperaturi okoline, kao što su zimski način rada za nisku temperaturu okoline a ljetni način rada za visoku temperaturu okoline.

LJETNI REŽIM RADA (REŽIM A)

Kad je potrebna niža temperatura odjeljka...

ZIMSKI NAČIN RADA (NAČIN B)

(Kad su potrebni viša temperatura odjeljka i odmrzavanje.)



6 Održavanje i čišćenje

- ⚠ Nikada za čišćenje nemojte koristiti benzin ili slične materijale.
- ⚠ Savjetujemo da isključite uređaj iz struje prije čišćenja.
- ⓘ Nikada za čišćenje nemojte koristiti oštre predmete ili abrazivne tvari, sapun, tekućinu za čišćenje kućanstva, deterdžent ili vosak za poliranje.
- ⓘ Za proizvode koji nisu No Frost mogu se javiti kapljice vode i led debljine prsta na stražnjoj strani odjeljka hladnjaka. Nemojte čistiti proizvod; nikada nemojte upotrebljavati ulje i slična sredstva na njemu.
- ⓘ Upotrebljavajte samo navlažene krpe od mikrovlakana za čišćenje vanjske površine proizvoda. Spužve i druge vrste krpa za čišćenje mogu izgubiti površinu.
- ⓘ Koristite mlaku vodu za čišćenje kutije hladnjaka i osušite ga krpom.
- ⓘ Koristite ocijeđenu vlažnu krpu potopljenu u otopini jedne žličice sode bikarbone na pola litre vode da biste očistili unutrašnjost i osušite je krpom.
- ⚠ Pazite da voda ne uđe u kućište lampe i druge električne dijelove.
- ⚠ Ako se aparat neće koristiti dulje vrijeme, isključite ga, izvadite svu hranu, očistite ga i ostavite vrata otvorena.
- ⓘ Provjeravajte brtve na vratima redovito da biste bili sigurni da su čisti i da na njima nema komadića hrane.
- ⓘ Da biste skinuli police s vrata, izvadite sav sadržaj i tada jednostavno gurnite policu vrata gore iz osnove.
- ⓘ Nikad ne upotrebljavajte sredstva za čišćenje ili vodu koja sadrži klor za čišćenje vanjskih površina ili kromiranih dijelova proizvoda. Klor uzrokuje koroziju na takvim metalnim površinama.
- ⓘ Ne koristite oštre i abrazivne alate ili sapun, sredstva za čišćenje u kućanstvu, deterdžente, benzin, benzen, vosak i sl. jer u protivnom naljepnice na plastičnom dijelu se mogu odlijepiti te može doći do deformacija. Za čišćenje koristite toplu vodu te osušite mekanom krpom.

Zaštita plastičnih površina

- ⓘ Ne stavljajte tekuće ulje ili jela kuhana na ulju u vaš hladnjak u nezatvorenim posudama jer oni mogu oštetiti plastične površine hladnjaka. U slučaju proljevanja ili razmazivanja ulja na plastičnim površinama, odmah očistite i isperite odgovarajuće dijelove površine toplom vodom.

7 Preporučena rješenja za probleme

Molimo provjerite popis prije zvanja servisa. To vam može uštedjeti vrijeme i novac. Popis sadrži česte reklamacije koje nisu posljedica oštećenja u proizvodnji ili uporabi. Neke od opisanih mogućnosti možda ne postoje na vašem proizvodu.

Hladnjak ne radi
<ul style="list-style-type: none">• Je li hladnjak pravilno uključen na napajanje? Uključite utikač u utičnicu u zidu.• Je li pregorio osigurač utičnice na koju je priključen vaš hladnjak? Provjerite osigurač.
kondenzacija na bočnoj stijenci odjeljka hladnjaka. (MULTI ZONA, UPRAVLJANJE HLAĐENJEM i FLEKSI ZONA)
<ul style="list-style-type: none">• Jako hladna okolina. Često otvaranje i zatvaranje vrata. Jako vlažna okolina. Čuvanje hrane koja sadrži tekućinu u otvorenim posudama. Ostavljanje vrata odškrinutim.• Prebacivanje termostata na hladniji stupanj.• Smanjivanje vremena kad su vrata otvorena ili rjeđa uporaba.• Prekrivanje hrane spremljene u otvorenim posudama odgovarajućim materijalom.• Obrišite kondenzat pomoću suhe krpe i provjerite ukoliko se i dalje javlja.
Kompresor ne radi
<ul style="list-style-type: none">• Zaštitni termički dio kompresora će pregoriti tijekom naglih nestanaka el. energije ili isključivanja priključaka jer tlak rashladnog sredstva u sustavu za hlađenje hladnjaka nije još izbalansiran.• Vaš hladnjak će početi s radom otprilike nakon 6 minuta. Molimo nazovite servis ako se vaš hladnjak ne uključi na kraju ovog razdoblja.• Hladnjak je u ciklusu odmrzavanja. To je normalno za hladnjak s potpuno automatskim odmrzavanjem. Ciklus za odmrzavanje se događa periodički.• Vaš hladnjak nije uključen u utičnicu. Pazite da je utikač dobro utaknut u zidnu utičnicu.• Je li temperatura pravilno postavljena? Došlo je do nestanka struje. Zovite vašeg dobavljača el.energije.

Hladnjak radi često ili dugotrajno.

- Vaš novi hladnjak je možda širi od prethodnog. To je u potpunosti normalno. Veći hladnjaci rade dulje.
- Sobna temperatura je možda visoka. To je potpuno normalno.
- Hladnjak je možda nedavno priključen na el.energiju ili je možda napunjen hranom. Potpuno hlađenje hladnjaka može trajati nekoliko sati dulje.
- Možda su nedavno u hladnjak stavljene velike količine tople hrane. Topla hrana uzrokuje dulji rad hladnjaka dok ne dostigne sigurnu temperaturu za čuvanje.
- Vrata su možda često otvarana ili ostavljena odškrinuta dulje vrijeme. Topli zrak koji je ušao u hladnjak uzrokuje da hladnjak radi dulje vrijeme. Rjeđe otvarajte vrata.
- Vrata škrinje ili hladnjaka su možda bila odškrinuta. Provjerite jesu li vrata čvrsto zatvorena.
- Hladnjak je postavljen na vrlo nisku temperaturu. Prilagodite temperaturu hladnjaka na topliju razinu dok se ne postigne temperatura.
- Brtva vrata hladnjaka ili škrinje može biti prljava, pohabana, oštećena ili nije dobro sjela. Očistite ili zamijenite brtvu. Oštećena/pokidana brtva uzrokuje dulji rad hladnjaka da bi se održala trenutna temperatura.

Temperatura hladnjaka je vrlo niska dok je temperatura frižidera dovoljna.

- Temperatura hladnjaka je postavljena na vrlo nisku temperaturu. Prilagodite temperaturu hladnjaka na topliji stupanj i provjerite.

Temperatura frižidera je vrlo niska dok je temperatura hladnjaka dovoljna.

- Temperatura hladnjaka je postavljena na vrlo nisku temperaturu. Prilagodite temperaturu hladnjaka na topliji stupanj i provjerite.

Hrana koja se čuva u ladicama hladnjaka se smrzava.

- Temperatura hladnjaka je postavljena na vrlo nisku temperaturu. Prilagodite temperaturu hladnjaka na topliji stupanj i provjerite.

Temperatura u hladnjaku ili škrinji je previsoka.

- Temperatura hladnjaka je postavljena na vrlo visoku temperaturu. Prilagođavanje hladnjaka ima utjecaja na temperaturu škrinje. Mijenjajte temperaturu hladnjaka ili škrinje dok temperatura hladnjaka ili škrinje ne dosegne dovoljnu razinu.
- Možda su vrata odškrinuta. Zatvorite vrata do kraja.
- Možda su nedavno u hladnjak stavljene velike količine tople hrane. Čekajte dok hladnjak ili škrinja ne dosegnu željenu temperaturu.
- Hladnjak je možda uključen nedavno. Potpuno hlađenje hladnjaka može potrajati zbog veličine.

Iz hladnjaka dolazi buka slična sekundama oja se čuje iz analognog sata.
<ul style="list-style-type: none"> Ova buka dolazi iz elektromagnetskog ventila hladnjaka. Elektromagnetski ventil služi osiguravanju prolaska rashladnog sredstva kroz odjeljak koji se može prilagoditi temperaturama hlađenja ili zamrzavanja i obavljanja funkcija hlađenja. to je normalno i nije uzrok kvara.
Buka tijekom rada se povećava kad hladnjak radi.
<ul style="list-style-type: none"> Radne performanse hladnjaka se mogu promijeniti ovisno o promjenama sobne temperature. To je normalno i ne predstavlja kvar.
Vibracije ili buka.
<ul style="list-style-type: none"> Pod nije ravan ili je slab. Hladnjak se njiše kad se polako pomiče. Pazite da je pod ravan, jak i da može nositi hladnjak. Buka može biti uzrokovana predmetima koji se nalaze na hladnjaku. Takvi predmeti se moraju ukloniti s hladnjaka.
Čuje se buka poput prolijevanja tekućine ili špricanja.
<ul style="list-style-type: none"> Protok tekućine i plinova se događa u skladu s radnim principima vašeg hladnjaka. To je normalno i ne predstavlja kvar.
Čuje se buka poput puhanja vjetra.
<ul style="list-style-type: none"> Aktivatori zraka (ventilatori) se koriste da bi se hladnjak učinkovito hladio. To je normalno i ne predstavlja kvar.
Kondenzacija na unutarnjim stjenkama hladnjaka.
<ul style="list-style-type: none"> Toplo i vlažno vrijeme povećava nastanak leda i kondenziranje. To je normalno i ne predstavlja kvar. Vrata su odškrinuta. Pazite da su vrata zatvorena do kraja. Vrata su možda često otvarana ili su dulje vrijeme bila otvorena. Rjeđe otvarajte vrata.
Vlaga se pojavljuje na vanjskom dijelu hladnjaka ili između vrata.
<ul style="list-style-type: none"> Možda je vlažno vrijeme. To je potpuno normalno kod vlažnog vremena. Kad je vlažnost manja, kondenzat će nestati.
Neugodan miris unutar hladnjaka.
<ul style="list-style-type: none"> Mora se očistiti unutrašnjost hladnjaka. Očistite unutrašnjost hladnjaka spužvom, toplom ili gaziranom vodom. Neugodan miris možda uzrokuju neke posude ili materijali pakiranja. Koristite neku drugu posudu ili drugačiju marku materijala za pakiranje.
Vrata se ne zatvaraju.
<ul style="list-style-type: none"> Paketi hrane možda sprječavaju zatvaranje vrata. Uklonite pakete hrane koji smetaju vratima. Hladnjak vjerojatno nije potpuno okomit prema podu i možda se njiše kad se lagano pomiče. Prilagodite vijke za podizanje. Pod nije ravan ili jak. Pazite da je pod ravan i da može nositi hladnjak.
Odjeljci za voće i povrće su zaglavljani.
<ul style="list-style-type: none"> Hrana možda dodiruje vrh ladice. Presložite hranu u ladici.

Παρακαλούμε διαβάστε πρώτα το παρόν εγχειρίδιο!

Αγαπητέ Πελάτη,

Ελπίζουμε ότι η συσκευή σας, που κατασκευάστηκε σε μοντέρνες εγκαταστάσεις και ελέγχθηκε με τις πιο αυστηρές διαδικασίες ελέγχου ποιότητας, θα σας προσφέρει αποδοτικά τις υπηρεσίες της.




Για το λόγο αυτό, συνιστούμε να διαβάσετε προσεκτικά όλο το εγχειρίδιο οδηγιών του προϊόντος σας πριν χρησιμοποιήσετε το προϊόν και κατόπιν να το φυλάξετε σε εύκολα προσπελάσιμο σημείο για μελλοντική αναφορά.

Το παρόν εγχειρίδιο

- Θα σας βοηθήσει να χρησιμοποιήσετε τη συσκευή σας με γρήγορο και ασφαλή τρόπο.
- Διαβάστε το εγχειρίδιο πριν την εγκατάσταση και τη χρήση του προϊόντος σας.
- Ακολουθείτε τις οδηγίες και ιδιαίτερα αυτές που αφορούν την ασφάλεια.
- Φυλάξτε το εγχειρίδιο σε εύκολα προσπελάσιμο μέρος γιατί μπορεί να το χρειαστείτε αργότερα.
- Επιπλέον, διαβάστε και την υπόλοιπη τεκμηρίωση που συνοδεύει το προϊόν σας. Έχετε υπόψη σας ότι το παρόν εγχειρίδιο μπορεί να ισχύει και για άλλα μοντέλα.

Σύμβολα και οι περιγραφές τους

Το παρόν εγχειρίδιο οδηγιών περιέχει τα εξής σύμβολα:

-  Σημαντικές πληροφορίες ή χρήσιμες συμβουλές για τη χρήση.
-  Προειδοποίηση για συνθήκες επικίνδυνες για τη ζωή και την περιουσία.
-  Προειδοποίηση για ηλεκτρική τάση.

ΠΕΡΙΕΧΟΜΕΝΑ

1 Το ψυγείο σας 4

2 Σημαντικές προειδοποιήσεις ασφαλείας 5

Προβλεπόμενος σκοπός χρήσης..... 5

Για προϊόντα με διανομέα νερού:..... 11

Ασφάλεια των παιδιών..... 12

Προειδοποίηση HC (Για συσκευές Ψύξης - Θέρμανσης)..... 12

Τι πρέπει να κάνετε για εξοικονόμηση ενέργειας 12

3 Εγκατάσταση 13

Σημεία που πρέπει να προσέξετε κατά την εκ νέου μεταφορά του ψυγείου..... 13

Πριν θέσετε σε λειτουργία το ψυγείο σας..... 13

Διάθεση των υλικών συσκευασίας..... 14

Διάθεση του παλιού σας ψυγείου 14

Τοποθέτηση και εγκατάσταση..... 14

Ρύθμιση των ποδιών 15

Αντικατάσταση της λάμπας φωτισμού 15

Αντιστροφή της φοράς ανοίγματος των πορτών 16

4 Προετοιμασία 17

5 Χρήση του ψυγείου σας 18

Απόψυξη της συσκευής..... 19

Ψύξη..... 20

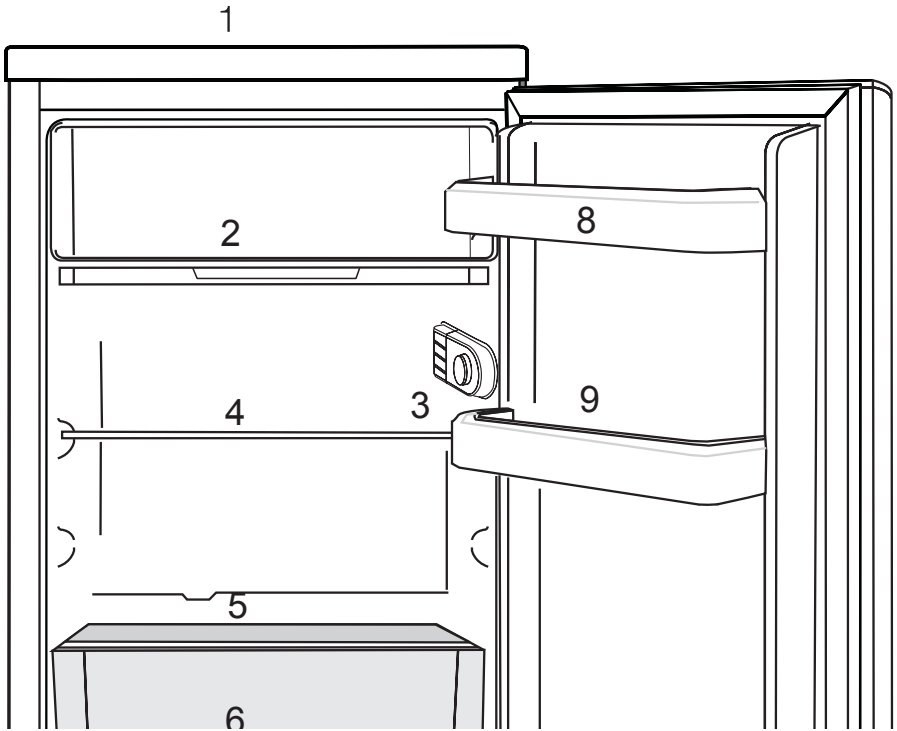
Αποθήκευση των τροφίμων..... 20

6 Συντήρηση και καθαρισμός 22

Προστασία των πλαστικών επιφανειών 22

7 Συνιστώμενες λύσεις για προβλήματα 23

1 Το ψυγείο σας



- | | |
|--------------------------------------|--------------------------------|
| 1- Πάνω διακοσμητικό πλαίσιο | 6- Συρτάρι λαχανικών |
| 2- Δίσκος αποστράγγισης | 7- Ρυθμιζόμενα μπροστινά πόδια |
| 3- Εσωτερικό φως & Κουμπί θερμοστάτη | 8- Ράφια πόρτας |
| 4- Κινητό ράφι | 9- Θήκη αυγών |
| 5- Κάλυμμα συρταριών λαχανικών | 10- Ράφι μπουκαλιών |


❗ Οι εικόνες σ' αυτό το εγχειρίδιο οδηγιών είναι σχηματικές και ενδέχεται να μην ανταποκρίνονται ακριβώς στο προϊόν σας. Αν ορισμένα τμήματα δεν περιλαμβάνονται στο προϊόν που έχετε προμηθευτεί, τότε ισχύουν για άλλα μοντέλα.


2 Σημαντικές προειδοποιήσεις ασφαλείας


Παρακαλούμε να μελετήσετε τις πληροφορίες που ακολουθούν. Η μη τήρηση αυτών των πληροφοριών μπορεί να γίνει αιτία τραυματισμών ή υλικών ζημιών. Αν δεν το κάνετε αυτό, θα καταστεί άκυρη κάθε εγγύηση και κάθε δέσμευση περί αξιοπιστίας.


Γνήσια ανταλλακτικά θα είναι διαθέσιμα για 10 έτη από την ημερομηνία αγοράς του προϊόντος.

Προβλεπόμενος σκοπός χρήσης

 **ΠΡΟΣΟΧΗ:** βεβαιωθείτε ότι οι οπές εξαερισμού δεν είναι κλεισμένοι όταν η συσκευή είναι στη δική συσκευασία της και όταν είναι εγκατεστημένη.

 **ΠΡΟΣΟΧΗ:** Για να επιταχυνθεί η λειτουργία απόψυξης, παρακαλούμε να μη χρησιμοποιείτε κανένα άλλο μηχανικό ή άλλο εξοπλισμό εκτός από τα οποία που συνιστώνται από τον κατασκευαστή.

 **ΠΡΟΣΟΧΗ:** Μην καταστρέφετε το ψυκτικό κύκλωμα.

 **ΠΡΟΣΟΧΗ:** Μην χρησιμοποιείτε ηλεκτρικές συσκευές που δεν συνιστώνται από τον κατασκευαστή στους χώρους αποθήκευσης τροφίμων.

Αυτή η συσκευή έχει σχεδιαστεί για χρήση στο σπίτι ή στις παρακάτω περιοχές εφαρμογής

- Μπορεί να χρησιμοποιηθεί στις κουζίνες των γραφείων, μαγαζιών και των άλλων των εργασιακών περιβαλλόντων,
- Μπορεί να χρησιμοποιηθεί από τους πελάτες στα αγρόκτηματα, ξενοδοχεία, μοτέλ και στα άλλα περιβάλλοντα καταλύματος,

Γενικές οδηγίες ασφαλείας

- Όταν θέλετε να πετάξετε ως άχρηστο ή να ανακυκλώσετε το προϊόν, συνιστούμε για τις απαιτούμενες πληροφορίες να συμβουλευτείτε το εξουσιοδοτημένο σέρβις ή τους αρμόδιους φορείς.
- Να συμβουλευέστε το εξουσιοδοτημένο σέρβις για όλες τις ερωτήσεις και προβλήματα σχετικά με το ψυγείο.

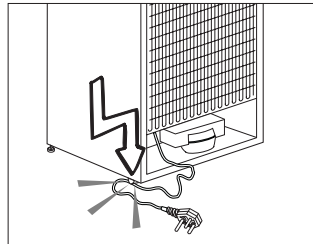
Μην επεμβαίνετε και μην αφήνετε οποιονδήποτε άλλον να επέμβει στο ψυγείο χωρίς να ειδοποιήσετε το εξουσιοδοτημένο σέρβις.

- Για προϊόντα με χώρο κατάψυξης: Μην καταναλώνετε παγωτό και παγοκύβους αμέσως μόλις τα βγάλετε από το χώρο της κατάψυξης! (Αυτό μπορεί να προκαλέσει κρουσπαγήματα στο στόμα σας).
- Για προϊόντα με χώρο κατάψυξης: Μην τοποθετείτε στην κατάψυξη ποτά ή αναψυκτικά σε μπουκάλια ή μεταλλικά κουτιά. Αλλιώς, υπάρχει κίνδυνος να σκάσουν.
- Μην αγγίζετε τα παγωμένα τρόφιμα με τα χέρια, γιατί μπορεί να κολλήσουν στο χέρι σας.
- Αποσυνδέετε το ψυγείο από την πρίζα πριν τον καθαρισμό ή την απόψυξη.

- Δεν πρέπει να χρησιμοποιείτε ποτέ ατμό και ατμοποιημένα καθαριστικά υλικά στις διαδικασίες καθαρισμού και απόψυξης του ψυγείου σας. Σε τέτοιες περιπτώσεις, ο ατμός μπορεί να έλθει σε επαφή με τα ηλεκτρικά εξαρτήματα και να γίνει η αιτία βραχυκυκλώματος ή ηλεκτροπληξίας.
- Ποτέ μη χρησιμοποιείτε εξαρτήματα του ψυγείου σας, όπως η πόρτα, ως μέσο στήριξης ή ως σκαλοπάτι.
- Μη χρησιμοποιείτε ηλεκτρικές συσκευές στο εσωτερικό του ψυγείου.
- Μην προξενήσετε ζημιά με εργαλεία διάτρησης ή κοπής στα μέρη της συσκευής όπου κυκλοφορεί το ψυκτικό μέσο. Το ψυκτικό μέσο που μπορεί να εκτιναχθεί αν τρυπήσουν οι δίοδοι αερίου του εξαμιστήρα, των επεκτάσεων σωλήνων ή των επιφανειακών επικαλύψεων, προκαλεί ερεθισμό στο δέρμα και τραυματισμό στα μάτια.
- Μην καλύπτετε και μην φράσσετε με οποιοδήποτε υλικό τα ανοίγματα αερισμού του ψυγείου σας.
- Οι επισκευές σε ηλεκτρικές συσκευές πρέπει να διεξάγονται μόνο από εξουσιοδοτημένο προσωπικό. Οι επισκευές που γίνονται από αναρμόδια άτομα δημιουργούν κινδύνους για το χρήστη.
- Σε περίπτωση οποιασδήποτε βλάβης ή κατά τη διάρκεια των εργασιών συντήρησης ή επισκευών, να αποσυνδέετε το ψυγείο από την παροχή ηλεκτρικού ρεύματος είτε απενεργοποιώντας τον αντίστοιχο ασφαλειοδιακόπτη είτε βγάζοντας το φως από την πρίζα.
- Για την αποσύνδεση του φως μην τραβάτε το καλώδιο.

- Βεβαιωθείτε ότι τα υψηλού βαθμού αλκοολούχα ποτά αποθηκεύονται με ασφάλεια με το καπάκι στερεωμένο και τοποθετημένο σε όρθια θέση.
- Ποτέ μην αποθηκεύετε στο ψυγείο μπουκάλια σπρέι που περιέχουν εύφλεκτες και εκρηκτικές ουσίες.
- Μη χρησιμοποιείτε μηχανικές διατάξεις ή άλλα μέσα για να επιταχύνετε τη διαδικασία της απόψυξης, εκτός από τα μέσα που συνιστά ο κατασκευαστής.
- Το προϊόν αυτό δεν προορίζεται για χρήση από άτομα με σωματικά, αισθητηριακά ή διανοητικά προβλήματα ή από άτομα με έλλειψη εμπειρίας (περιλαμβανομένων παιδιών), εκτός αν τα άτομα βρίσκονται υπό την επίβλεψη ατόμου που θα είναι υπεύθυνο για την ασφάλειά τους ή που θα τα καθοδηγήσει όπως απαιτείται για τη χρήση του προϊόντος
- Μη χρησιμοποιήσετε το ψυγείο αν έχει υποστεί βλάβη ή ζημιά. Αν έχετε οποιαδήποτε αμφιβολία συμβουλευτείτε τον αντιπρόσωπο σέρβις.
- Η ηλεκτρική ασφάλεια του ψυγείου σας θα είναι εγγυημένη μόνον αν το σύστημα γείωσης του σπιτιού σας συμμορφώνεται με τα ισχύοντα πρότυπα.
- Η έκθεση του προϊόντος σε βροχή, χιόνι, ήλιο και άνεμο δημιουργεί κινδύνους σε σχέση με την ασφάλεια με το ηλεκτρικό ρεύμα.
- Αν υπάρχει ζημιά στο καλώδιο ρεύματος, για την αποφυγή κινδύνου επικοινωνήστε με το εξουσιοδοτημένο σέρβις.
- Σε καμία περίπτωση μη συνδέσετε το ψυγείο στην πρίζα κατά τη διάρκεια της εγκατάστασης. Αλλιώς, μπορεί να δημιουργηθεί κίνδυνος θανάτου ή

- Το ψυγείο αυτό προορίζεται αποκλειστικά για τη φύλαξη τροφίμων. Δεν πρέπει να χρησιμοποιηθεί για οποιονδήποτε άλλο σκοπό.
- Η ετικέτα τεχνικών προδιαγραφών βρίσκεται πάνω στο αριστερό τοίχωμα στο εσωτερικό του ψυγείου.
- Ποτέ μη συνδέσετε το ψυγείο σας σε συστήματα εξοικονόμησης ενέργειας, γιατί αυτά μπορεί να προκαλέσουν ζημιά στο ψυγείο.
- Αν το ψυγείο σας διαθέτει μπλε φως, μην κοιτάζετε το μπλε φως μέσω οπτικών διατάξεων.
- Για ψυγεία με μη αυτόματο σύστημα ελέγχου, μετά από διακοπή ρεύματος περιμένετε τουλάχιστον 5 λεπτά πριν θέσετε πάλι το ψυγείο σε λειτουργία.
- Σε περίπτωση μεταβίβασης, το παρόν εγχειρίδιο χρήσης θα πρέπει να παραδοθεί στον καινούριο ιδιοκτήτη του προϊόντος.
- Αποφύγετε την πρόκληση ζημιάς στο καλώδιο ρεύματος όταν μεταφέρετε το ψυγείο. Αν το καλώδιο τσακίσει μπορεί να προκληθεί πυρκαγιά. Ποτέ μην τοποθετείτε βαριά αντικείμενα πάνω στο καλώδιο ρεύματος. Μην αγγίζετε το φισ με υγρά χέρια όταν συνδέετε το προϊόν στην πρίζα.



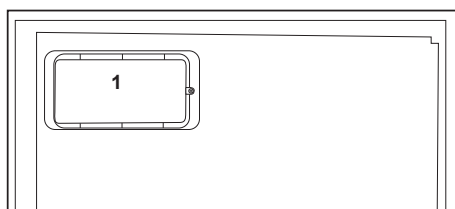
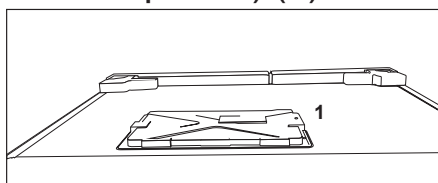
- Μη συνδέσετε το ψυγείο σε πρίζα που δεν είναι καλά στερεωμένη στη θέση της.
- Για λόγους ασφαλείας, δεν πρέπει ποτέ να πιτσιλίζετε νερό απ' ευθείας σε εσωτερικά ή εξωτερικά μέρη του προϊόντος.

- Για να αποφύγετε τον κίνδυνο πυρκαγιάς και έκρηξης, μην ψεκάζετε κοντά στο ψυγείο υλικά που περιέχουν εύφλεκτα αέρια όπως προπάνιο κ.λ.π.
- Ποτέ μην τοποθετείτε πάνω στο ψυγείο δοχεία που περιέχουν νερό, γιατί μπορεί να προκληθεί ηλεκτροπληξία ή πυρκαγιά.
- Μην υπερφορτώνετε το ψυγείο με υπερβολική ποσότητα τροφίμων. Αν υπερφορτωθεί το ψυγείο, όταν ανοίγετε την πόρτα τα τρόφιμα μπορεί να πέσουν και να σας κτυπήσουν ή να προξενήσουν ζημιά στο ψυγείο. Ποτέ μην τοποθετείτε αντικείμενα πάνω στο ψυγείο. Διαφορετικά μπορεί να πέσουν όταν ανοίγετε ή κλείνετε την πόρτα του ψυγείου.
- Επειδή για τη φύλαξή τους απαιτούνται ακριβείς συνθήκες θερμοκρασίας, δεν πρέπει να φυλάσσονται στο ψυγείο εμβόλια, φάρμακα ευαίσθητα στη θερμοκρασία, επιστημονικά υλικά κλπ.
- Το ψυγείο θα πρέπει να αποσυνδέεται από το ρεύμα αν δεν πρόκειται να χρησιμοποιηθεί για μεγάλο χρονικό διάστημα. Ένα ενδεχόμενο πρόβλημα στο καλώδιο ρεύματος μπορεί να προκαλέσει πυρκαγιά.
- Το ψυγείο μπορεί να μετακινηθεί αν τα ρυθμιζόμενα πόδια δεν έχουν ρυθμιστεί ώστε να έχουν σταθερή επαφή με το δάπεδο. Η σωστή στερέωση των ρυθμιζόμενων ποδιών στο δάπεδο μπορεί να αποτρέψει τη μετακίνηση του ψυγείου.
- Όταν μεταφέρετε το ψυγείο μην το κρατάτε από τη λαβή της πόρτας. Διαφορετικά, αυτή μπορεί να σπάσει.
- Όταν χρειαστεί να εγκαταστήσετε το ψυγείο σας δίπλα σε άλλο ψυγείο ή

καταψύκτη, η απόσταση ανάμεσα στις συσκευές θα πρέπει να είναι τουλάχιστον 8 εκ.

Διαφορετικά, μπορεί να σχηματιστεί υγρασία στα γειτονικά πλευρικά τοιχώματα.

- Σε καμία περίπτωση μη χρησιμοποιήσετε το προϊόν αν είναι ανοικτό το τμήμα στο πάνω ή πίσω μέρος του προϊόντος που περιέχει τις πλακέτες τυπωμένων κυκλωμάτων (κάλυμμα τυπωμένων κυκλωμάτων) (1).



Για προϊόντα με διανομέα νερού:

- Η μέγιστη πίεση για την είσοδο κρύου νερού θα είναι 90 psi (6,2 bar). Αν η πίεση νερού υπερβαίνει τα 80 psi (5,5 bar), χρησιμοποιήστε μια βαλβίδα περιορισμού πίεσης στο σύστημα παροχής νερού σας. Αν δεν γνωρίζετε πώς να ελέγξετε την πίεση νερού, ζητήστε τη βοήθεια επαγγελματία υδραυλικού.
- Αν υπάρχει κίνδυνος φαινομένου υδραυλικού πλήγματος (απότομης μεταβολής πίεσης του νερού) στην εγκατάστασή σας, πάντα να χρησιμοποιείτε στην εγκατάσταση εξοπλισμό αποτροπής του υδραυλικού πλήγματος. Συμβουλευτείτε επαγγελματίες υδραυλικούς αν δεν είστε σίγουροι ότι δεν υπάρχει φαινόμενο υδραυλικού πλήγματος στην εγκατάστασή σας.

- Μην εγκαταστήσετε στην είσοδο ζεστού νερού. Λάβετε μέτρα προφύλαξης έναντι του κινδύνου να παγώσουν οι εύκαμπτοι σωλήνες. Η περιοχή θερμοκρασιών νερού λειτουργίας είναι από ελάχιστη 0,6 °C (33 °F) έως μέγιστη 38 °C (100 °F).
- Χρησιμοποιείτε μόνο πόσιμο νερό.

Ασφάλεια των παιδιών

- Αν το ψυγείο σας διαθέτει κλειδαριά, πρέπει να φυλάτε το κλειδί μακριά από παιδιά.
- Τα παιδιά πρέπει να βρίσκονται υπό επίβλεψη ώστε να μην επεμβαίνουν στο προϊόν.

Προειδοποίηση HC (Για συσκευές Ψύξης - Θέρμανσης)

Αν το ψυκτικό σύστημα της συσκευής σας περιέχει R600a:

Το αέριο αυτό είναι εύφλεκτο. Για το λόγο αυτό, προσέχετε να μην προκληθεί ζημιά στο ψυκτικό σύστημα και τις σωληνώσεις του κατά τη χρήση και τη μεταφορά της συσκευής. Σε περίπτωση ζημιάς, κρατήστε τη συσκευή σας μακριά από ενδεχόμενες πηγές φωτιάς οι οποίες μπορούν να κάνουν το προϊόν να πιάσει φωτιά και αερίστε το χώρο στον οποίο είναι τοποθετημένη η μονάδα.

Αγνοήστε αυτή την προειδοποίηση αν το ψυκτικό σύστημα της συσκευής σας περιέχει R134a.

Ο τύπος αερίου που χρησιμοποιείται στο προϊόν αναφέρεται στην πινακίδα στοιχείων η οποία βρίσκεται πάνω στο αριστερό τοίχωμα στο εσωτερικό του ψυγείου.

Σε καμία περίπτωση μην πετάξετε το προϊόν σε φωτιά.

Τι πρέπει να κάνετε για εξοικονόμηση ενέργειας

- Μην αφήνετε τις πόρτες του ψυγείου σας ανοικτές για μεγάλο χρονικό διάστημα.
- Μην τοποθετείτε ζεστά φαγητά ή ποτά στο ψυγείο σας.
- Μην υπερφορτώνετε το ψυγείο σας, ώστε να μην εμποδίζεται η κυκλοφορία αέρα στο εσωτερικό του.
- Μην τοποθετείτε το ψυγείο σας σε απ' ευθείας ηλιακό φως ή κοντά σε συσκευές που εκπέμπουν θερμότητα όπως φούρνους, πλυντήρια πιάτων ή σώματα θέρμανσης.
- Φροντίστε να διατηρείτε τα τρόφιμα σε κλειστά δοχεία.
- Για προϊόντα με χώρο κατάψυξης: Μπορείτε να φυλάξετε τη μέγιστη ποσότητα τροφίμων στην κατάψυξη όταν αφαιρέσετε το ράφι ή το συρτάρι της κατάψυξης. Η αναφερόμενη τιμή κατανάλωσης ενέργειας για το ψυγείο σας προσδιορίστηκε ενώ είχε αφαιρεθεί το ράφι ή το συρτάρι της κατάψυξης και με το μέγιστο φορτίο τροφίμων. Δεν υπάρχει πρόβλημα από τη χρήση ραφίου ή συρταριού ανάλογα με τα σχήματα και τα μεγέθη των τροφίμων που πρόκειται να καταψυχθούν.
- Η απόψυξη των κατεψυγμένων τροφίμων στο χώρο συντήρησης θα παρέχει και εξοικονόμηση ενέργειας και καλύτερη διατήρηση της ποιότητας των τροφίμων.

3 Εγκατάσταση

⚠ Παρακαλούμε να θυμάστε ότι δεν θα θεωρείται υπεύθυνος ο κατασκευαστής αν δεν τηρηθούν οι πληροφορίες που δίνονται στο εγχειρίδιο οδηγιών.

Σημεία που πρέπει να προσέξετε κατά την εκ νέου μεταφορά του ψυγείου

1. Θα πρέπει να αδειάσετε και να καθαρίσετε το ψυγείο σας πριν από οποιαδήποτε μεταφορά.
2. Πριν τοποθετήσετε πάλι το ψυγείο στη συσκευασία του, τα ράφια, τα αξεσουάρ, το συρτάρι λαχανικών κλπ. θα πρέπει να στερεωθούν με χρήση κολλητικής ταινίας για προστασία από τα τραντάγματα.
3. Η συσκευασία θα πρέπει να ασφαλιστεί με ταινίες κατάλληλου πάχους και γερά σχοινιά και θα πρέπει να ακολουθούνται οι κανόνες μεταφοράς που είναι τυπωμένοι στο κιβώτιο.

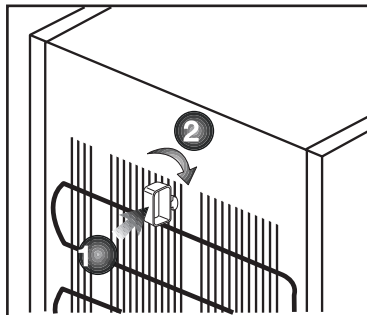
Μην ξεχνάτε...

Κάθε υλικό που ανακυκλώνεται είναι μια απαραίτητη πηγή υλικών προς όφελος της φύσης και των εθνικών μας πόρων. Αν επιθυμείτε να συμβάλετε στην ανακύκλωση των υλικών συσκευασίας, μπορείτε να πάρετε περισσότερες πληροφορίες από τους περιβαλλοντικούς φορείς ή τις τοπικές αρχές.

Πριν θέσετε σε λειτουργία το ψυγείο σας

Πριν αρχίσετε να χρησιμοποιείτε το ψυγείο σας ελέγξτε τα εξής:

Καθαρίστε το εσωτερικό του ψυγείου όπως συνιστάται στην ενότητα "Συντήρηση και καθαρισμός".
Συνδέστε το ψυγείο στην πρίζα στον τοίχο. Όταν ανοιχτεί η πόρτα, το εσωτερικό φως στο χώρο συντήρησης θα ανάψει.



Οι μπροστινές ακμές του ψυγείου μπορεί να είναι θερμές στο άγγιγμα. Αυτό είναι φυσιολογικό. Οι περιοχές αυτές έχουν σχεδιαστεί να είναι θερμές ώστε να αποφεύγεται η συμπύκνωση.

1. Είναι το εσωτερικό του ψυγείου στεγνό και μπορεί ο αέρας να κυκλοφορεί ανεμπόδιστα στο πίσω του μέρος;
2. Εισάγετε τις 2 πλαστικές σφήνες στο πίσω σύστημα αερισμού, όπως δείχνει η ακόλουθη εικόνα. Οι πλαστικές σφήνες θα παρέχουν την απαιτούμενη απόσταση ανάμεσα στο ψυγείο σας και τον τοίχο ώστε να επιτρέπεται η κυκλοφορία του αέρα.
3. Καθαρίστε το εσωτερικό του ψυγείου όπως συνιστάται στην ενότητα "Συντήρηση και καθαρισμός".

Ηλεκτρική σύνδεση

Συνδέστε τη συσκευή σας σε γειωμένη πρίζα η οποία προστατεύεται από ασφάλεια κατάλληλης ονομαστικής τιμής ρεύματος.

Σημαντική παρατήρηση:

- Η σύνδεση πρέπει να συμμορφώνεται με τους εθνικούς κανονισμούς.
- Το φως του καλωδίου ρεύματος πρέπει να είναι εύκολα προσπελάσιμο μετά την εγκατάσταση.
- Η καθοριζόμενη ηλεκτρική τάση πρέπει να είναι ίδια με την τάση ρεύματος του δικτύου σας.
- Δεν πρέπει να χρησιμοποιούνται καλώδια προέκτασης και πολύπριζα για τη σύνδεση στο ρεύμα.

⚠️ Αν ένα καλώδιο ρεύματος έχει υποστεί ζημιά, αυτό πρέπει να αντικατασταθεί από αδειούχο ειδικό τεχνικό.

⚠️ Δεν επιτρέπεται η λειτουργία της συσκευής πριν την επισκευή! Υπάρχει κίνδυνος ηλεκτροπληξίας!

Διάθεση των υλικών συσκευασίας

Τα υλικά συσκευασίας μπορεί να είναι επικίνδυνα για τα παιδιά. Κρατάτε τα υλικά συσκευασίας μακριά από παιδιά ή πετάξτε τα αφού τα διαχωρίσετε ανάλογα με τις οδηγίες για απόβλητα. Μην τα πετάξετε μαζί με τα κοινά οικιακά απορρίμματα.

Η συσκευασία του ψυγείου σας έχει παραχθεί από ανακυκλώσιμα υλικά.

Διάθεση του παλιού σας ψυγείου

Απορρίψτε το παλιό σας ψυγείο με τρόπο φιλικό προς το περιβάλλον.

- Σχετικά με τον τρόπο απόρριψης του ψυγείου σας μπορείτε να συμβουλευτείτε τον εξουσιοδοτημένο έμπορο που συνεργάζεστε ή τις δημοτικές σας αρχές.

Πριν πετάξετε το ψυγείο σας, κόψτε το καλώδιο ρεύματος, και, αν υπάρχουν κλειδαριές σε πόρτες, καταστήστε τις μη λειτουργικές, για την προστασία των παιδιών από οποιονδήποτε κίνδυνο.

Τοποθέτηση και εγκατάσταση

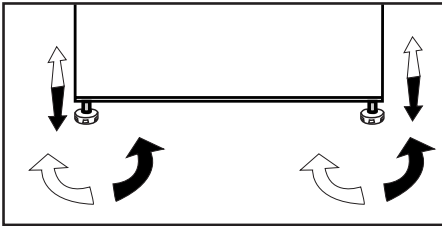
⚠️ Αν η πόρτα εισόδου του χώρου όπου θα τοποθετηθεί το ψυγείο δεν είναι αρκετά πλατιά για να περάσει το ψυγείο, τότε καλέστε το εξουσιοδοτημένο σέρβις για να αφαιρέσει την πόρτα του ψυγείου σας και να το περάσει μέσα από την πόρτα με το πλάι.

1. Εγκαταστήστε το ψυγείο σε θέση που προσφέρει ευκολία στη χρήση.
2. Κρατήστε το ψυγείο σας μακριά από πηγές θερμότητας, μέρη με υγρασία και από απ' ευθείας ηλιακό φως.
3. Πρέπει να υπάρχει επαρκής κυκλοφορία αέρα γύρω από το ψυγείο σας για να επιτυγχάνεται αποδοτική λειτουργία. Αν το ψυγείο πρέπει να τοποθετηθεί σε εσοχή στον τοίχο, θα πρέπει να υπάρχει ελάχιστη απόσταση 5 εκ. από το ταβάνι και 5 εκ. από τον τοίχο. Αν το πάτωμα είναι καλυμμένο με χαλί, το προϊόν σας θα πρέπει να ανυψωθεί κατά 2,5 εκ. από το δάπεδο.
4. Τοποθετήστε το ψυγείο σας σε δάπεδο με επίπεδη επιφάνεια για να αποφευχθούν τα τραντάγματα.

Ρύθμιση των ποδιών

Αν το ψυγείο σας δεν είναι καλά ισορροπημένο:

Μπορείτε να ισορροπήσετε το ψυγείο σας περιστρέφοντας τα μπροστινά πόδια του, όπως δείχνει η εικόνα. Η γωνία όπου βρίσκεται το πόδι χαμηλώνει όταν περιστρέφετε το πόδι στην κατεύθυνση του μαύρου βέλους και ανυψώνεται όταν το γυρίζετε στην αντίθετη κατεύθυνση. Η διαδικασία αυτή θα γίνει πιο εύκολη αν κάποιος σας βοηθήσει ανυψώνοντας ελαφρά το ψυγείο.



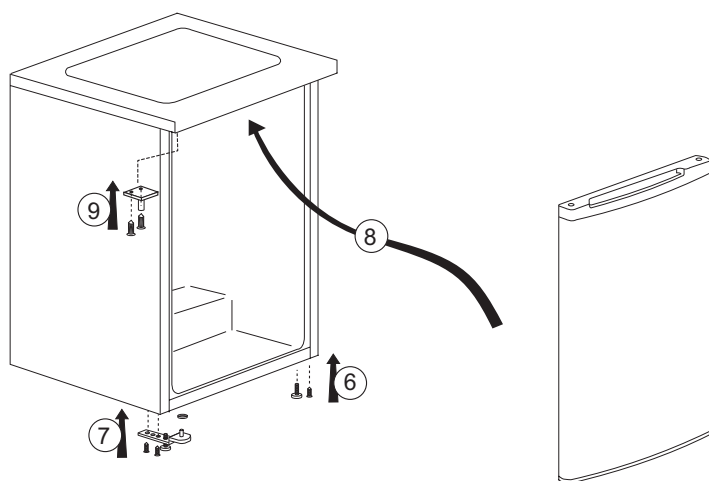
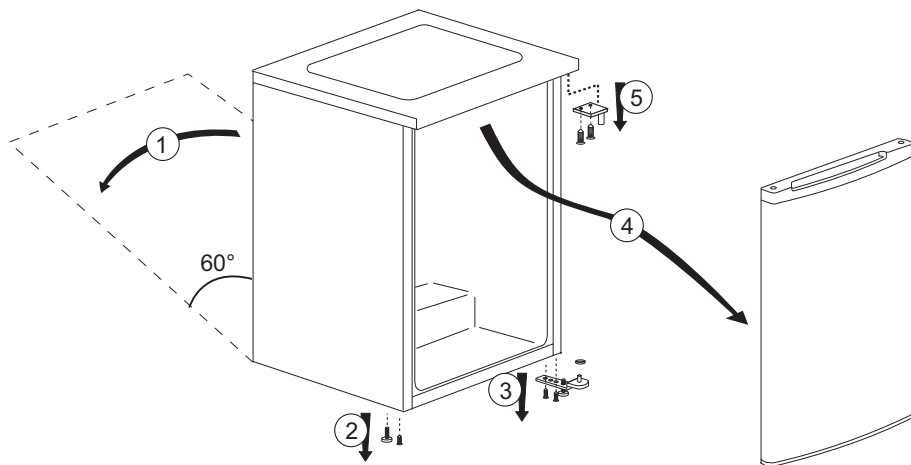
Αντικατάσταση της λάμπας φωτισμού

Για αλλαγή της λάμπας φωτισμού του ψυγείου σας, καλέστε το τοπικό σας εξουσιοδοτημένο σέρβις.

Ο λαμπτήρας (οι λαμπτήρες) που χρησιμοποιεί αυτή η συσκευή δεν είναι κατάλληλος(-οι) για φωτισμό των οικιακών χώρων. Ο σκοπός αυτού του λαμπτήρα είναι να βοηθά το χρήστη να βρίσκει με ασφάλεια και άνεση τα τρόφιμα στη συντήρηση/κατάψυξη.

Οι λάμπες που χρησιμοποιούνται σε αυτή τη συσκευή πρέπει να είναι ανθεκτικές σε ακραίες φυσικές συνθήκες, όπως θερμοκρασίες κάτω από -20 °C.

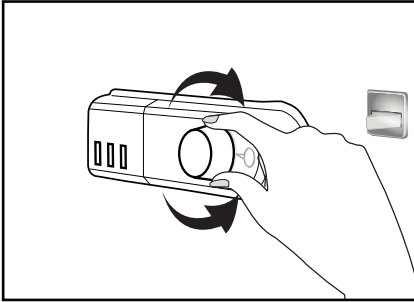
Αντιστροφή της φοράς ανοίγματος των πορτών
Προχωρήστε σύμφωνα με την σειρά των αριθμών



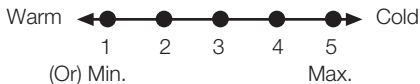
4 Προετοιμασία

- i** Το ψυγείο σας θα πρέπει να εγκατασταθεί σε απόσταση τουλάχιστον 30 εκ. από πηγές θερμότητας όπως εστίες μαγειρέματος, φούρνους, σώματα κεντρικής θέρμανσης και σόμπες, και τουλάχιστον 5 εκ. μακριά από ηλεκτρικούς φούρνους και δεν θα πρέπει να τοποθετείται σε μέρη όπου δέχεται απ' ευθείας ηλιακή ακτινοβολία.
- i** Η θερμοκρασία περιβάλλοντος του δωματίου που τοποθετείτε το ψυγείο σας θα πρέπει να είναι τουλάχιστον 5°C. Η λειτουργία του ψυγείου σας σε πιο κρύες συνθήκες από αυτές δεν συνιστάται από την άποψη της απόδοσής του.
- i** Παρακαλούμε να φρονίζετε να διατηρείτε το εσωτερικό του ψυγείου σας σχολαστικά καθαρό.
- i** Αν πρέπει να εγκατασταθούν δύο ψυγεία το ένα δίπλα στο άλλο, θα πρέπει να υπάρχει μεταξύ τους απόσταση τουλάχιστον 2 εκ.
- i** Όταν θέσετε το ψυγείο σε λειτουργία για πρώτη φορά, παρακαλούμε τηρείτε τις ακόλουθες οδηγίες κατά τις αρχικές έξι ώρες.
 - Η πόρτα δεν θα πρέπει να ανοίγει συχνά.
 - Το ψυγείο θα πρέπει να λειτουργήσει κενό, χωρίς τρόφιμα στο εσωτερικό του.
 - Μην αποσυνδέσετε το ψυγείο σας από το ρεύμα. Αν συμβεί μια ανεξέλεγκτη διακοπή ρεύματος, δείτε τις προειδοποιήσεις στην ενότητα “Συνιστώμενες λύσεις για προβλήματα”.
- i** Η αρχική συσκευασία και τα αφρώδη υλικά θα πρέπει να φυλαχτούν για μελλοντικές μεταφορές ή μετακόμιση.

5 Χρήση του ψυγείου σας



Η θερμοκρασία λειτουργίας ρυθμίζεται από το θερμοστάτη.



1 = Χαμηλότερη δυνατή ρύθμιση ψύξης

(Η πιο ζεστή ρύθμιση)

5 = Υψηλότερη δυνατή ρύθμιση ψύξης

(Η πιο κρύα ρύθμιση)

(ή)

Min. = Χαμηλότερη δυνατή ρύθμιση ψύξης

(Η πιο ζεστή ρύθμιση)

Max. = Υψηλότερη δυνατή ρύθμιση ψύξης

(Η πιο κρύα ρύθμιση)

Η μέση θερμοκρασία στο εσωτερικό του ψυγείου θα πρέπει να είναι περίπου +5°C.

Επιλέγεται τη ρύθμιση ανάλογα με την επιθυμητή θερμοκρασία.

Μπορείτε να σταματήσετε τη λειτουργία της συσκευής σας ρυθμίζοντας το κουμπί του θερμοστάτη στη θέση "0".

Παρακαλούμε έχετε υπόψη σας ότι θα υπάρχουν διαφορές θερμοκρασίας στην περιοχή ψύξης.

Η πιο ψυχρή περιοχή είναι αμέσως επάνω από το διαμέρισμα λαχανικών.

Η εσωτερική θερμοκρασία εξαρτάται επίσης από τη θερμοκρασία του περιβάλλοντος, τη συχνότητα με την οποία ανοίγεται η πόρτα και την ποσότητα των φαγητών που διατηρείται στο ψυγείο.

Το συχνό άνοιγμα της πόρτας προκαλεί αύξηση της εσωτερικής θερμοκρασίας.

Για το λόγο αυτό συνιστούμε να κλείνετε την πόρτα όσο το δυνατόν συντομότερα μετά τη χρήση.

Η πιο ψυχρή περιοχή είναι αμέσως κάτω από το χώρο παρασκευής πάγου.

Σε συνθήκες υψηλής υγρασίας, μπορεί να προκύψει συμπύκνωση στο ψυγείο σας. Αυτό δεν αποτελεί βλάβη. Μπορεί να σκουπιστεί με στεγνό πανί σύμφωνα με τις οδηγίες ασφαλείας. Η δημιουργία πάγου, πάχνης και συμπύκνωσης είναι κανονικά φαινόμενα για την παγοθήκη και το δοχείο αποστράγγισης νερού.

Απόψυξη της συσκευής

Η υπερβολική συσσώρευση πάγου θα επηρεάσει την ψυκτική απόδοση της συσκευής σας.

Γι' αυτό σας συνιστούμε να πραγματοποιείτε απόψυξη στη συσκευή σας τουλάχιστον δύο φορές το χρόνο ή όταν το πάχος του πάγου ξεπερνά τα 7 χιλιοστά.

Να κάνετε την απόψυξη της συσκευής όταν αυτή περιέχει λίγα ή καθόλου τρόφιμα.

Απομακρύνετε τα τρόφιμα. Τυλίξτε τα τρόφιμα σε αρκετές στρώσεις χαρτιού ή σε μια κουβέρτα και φυλάξτε τα σε κρύο μέρος.

Για να αρχίσει η διαδικασία της απόψυξης, βγάλτε το φιν από την πρίζα ή κλείστε τον ασφαλειοδιακόπτη.

Αφαιρέστε τα αξεσουάρ (όπως ράφια, συρτάρια κλπ.) από τη συσκευή και χρησιμοποιήστε ένα κατάλληλο δοχείο για να συλλέξετε το νερό της απόψυξης.

Χρησιμοποιήστε ένα σφουγγάρι ή μαλακό πανί για να αφαιρέσετε αν χρειάζεται το νερό από τους χώρους.

Κατά την απόψυξη κρατάτε την πόρτα ανοιχτή.

Για πιο γρήγορη απόψυξη, τοποθετήστε μέσα στη συσκευή δοχεία με χλιαρό νερό.

Ποτέ μη χρησιμοποιείτε ηλεκτρικές συσκευές, σπρέι απόψυξης ή μυτερά ή αιχμηρά αντικείμενα όπως μαχαίρια ή πιρούνια για να αφαιρέσετε τον πάγο.

Αφού τελειώσει η απόψυξη καθαρίστε το εσωτερικό της συσκευής.

Συνδέστε πάλι τη συσκευή στην παροχή ρεύματος. Τοποθετήστε το κατεψυγμένο φαγητό στα συρτάρια και τοποθετήστε τα συρτάρια στον καταψύκτη.

Για να αρχίσετε τη διαδικασία της απόψυξης, απενεργοποιήστε το κύκλωμα από τον ασφαλειοδιακόπτη και βγάλτε το φιν της συσκευής από την πρίζα για την ασφάλειά σας.

Κατά την απόψυξη, το κινητό διάφραγμα του δίσκου εξάτμισης θα πρέπει να χρησιμοποιείται όπως στη χειμερινή λειτουργία. Μετά την απόψυξη, μπορεί να τοποθετηθεί, σύμφωνα με τη θερινή ή χειμερινή λειτουργία, όπως χρειάζεται.

Ψύξη

Αποθήκευση των τροφίμων

Ο χώρος συντήρησης προορίζεται για τη βραχυπρόθεσμη διατήρηση νωπών τροφίμων και ποτών.

Αποθηκεύετε τα γαλακτοκομικά προϊόντα στο ειδικό γι' αυτά διαμέρισμα του ψυγείου.

Τα μπουκάλια μπορούν να διατηρούνται στην υποδοχή μπουκαλιών ή στο ράφι μπουκαλιών της πόρτας.

Το ωμό κρέας διατηρείται καλύτερα σε σακούλα από πολυαιθυλένιο στο κάτω μέρος του ψυγείου.

Αφήνετε τα ζεστά φαγητά και ποτά να κρυώνουν σε θερμοκρασία δωματίου πριν τα τοποθετήσετε στο ψυγείο.

• Προσοχή

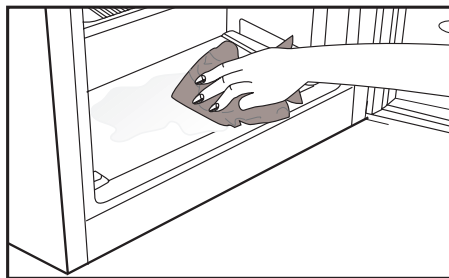
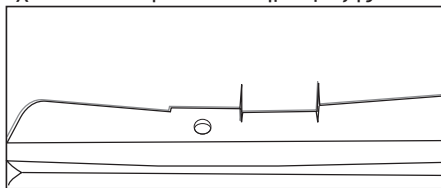
Αποθηκεύετε τα υγρά με μεγάλη περιεκτικότητα σε οινόπνευμα μόνο σε όρθια και σφιχτά κλεισμένα δοχεία.

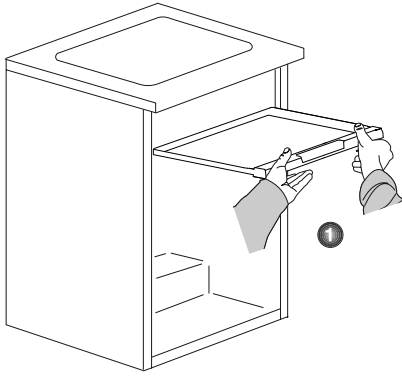
• Προσοχή

Μην αποθηκεύετε στη συσκευή εκρηκτικές ουσίες ή δοχεία με εύφλεκτα προωθητικά αέρια (έτοιμη σαντιγί σε μεταλλικά δοχεία, δοχεία σπρέι κλπ.).

Υπάρχει κίνδυνος έκρηξης.

Η παρουσιαζόμενη προεξοχή με κλειστά άκρα αποτελεί μέρος του σχεδιασμού, δεν έχει επίπτωση στο σύστημα ψύξης.

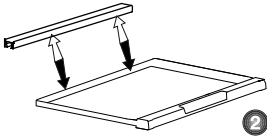




Το κινητό διάφραγμα του δίσκου εξάτμισης θα πρέπει να χρησιμοποιείται όπως περιγράφεται πιο κάτω, για τη διατήρηση της επιθυμητής θερμοκρασίας του διαμερίσματος, όπως για παράδειγμα η χειμερινή λειτουργία όταν επικρατούν χαμηλές θερμοκρασίες περιβάλλοντος και η θερινή λειτουργία όταν επικρατούν υψηλές θερμοκρασίες περιβάλλοντος.

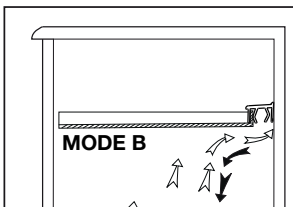
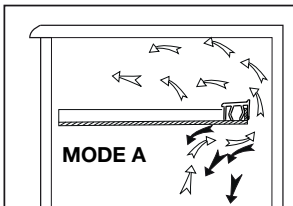
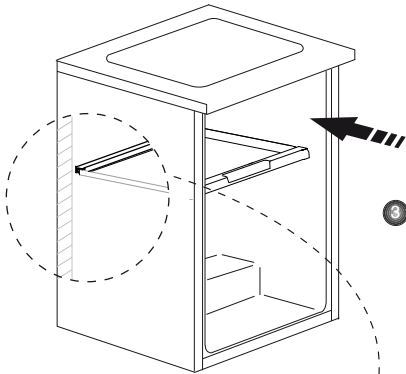
ΘΕΡΙΝΗ ΛΕΙΤΟΥΡΓΙΑ

(Όταν απαιτείται ψυχρότερη θερμοκρασία του διαμερίσματος.)



ΧΕΙΜΕΡΙΝΗ ΛΕΙΤΟΥΡΓΙΑ

(Όταν απαιτείται υψηλότερη θερμοκρασία του διαμερίσματος.)



6 Συντήρηση και καθαρισμός

- ⚠ Ποτέ μη χρησιμοποιήσετε βενζίνη, βενζόλιο ή παρόμοια υλικά για τον καθαρισμό.
 - ⚠ Συνιστούμε να αποσυνδέετε τη συσκευή από την πρίζα πριν τον καθαρισμό.
 - ❗ Ποτέ μη χρησιμοποιείτε για τον καθαρισμό οποιοδήποτε αιχμηρό όργανο που χαράζει, σαπούνι, οικιακά καθαριστικά, απορρυπαντικά και γυαλιστικά κεριού.
 - ❗ Σε προϊόντα που δεν είναι No Frost, στο πίσω τοίχωμα του θαλάμου συντήρησης σχηματίζονται σταγόνες και πάχνη πάχους έως ενός δακτύλου. Μην καθαρίζετε και μην απλώνετε λάδι ή παρόμοια υλικά.
 - ❗ Χρησιμοποιείτε μόνο ελαφρώς υγρά πανιά μικροϊνών για τον καθαρισμό της εξωτερικής επιφάνειας του προϊόντος. Οι σπόγγοι και άλλοι τύποι πανιών καθαρισμού μπορεί να χαράξουν την επιφάνεια.
 - ❗ Για να καθαρίσετε το περίβλημα του ψυγείου σας, χρησιμοποιήστε χλιαρό νερό και κατόπιν σκουπίστε το για να στεγνώσει.
 - ❗ Για να καθαρίσετε το εσωτερικό, χρησιμοποιήστε πανί που έχει υγρανθεί ελαφρά σε διάλυμα από μια κουταλιά του γλυκού μαγειρικής σόδας σε περίπου μισό λίτρο νερού. Κατόπιν σκουπίστε τις επιφάνειες για να στεγνώσουν.
 - ⚠ Φροντίστε απαραίτητα να μην εισέλθει νερό στο περίβλημα της λάμπας και σε άλλα ηλεκτρικά εξαρτήματα.
 - ⚠ Εάν το ψυγείο σας δεν πρόκειται να χρησιμοποιηθεί για μεγάλη χρονική περίοδο, αποσυνδέστε το καλώδιο ρεύματος από την πρίζα, αφαιρέστε όλα τα τρόφιμα, καθαρίστε το και αφήστε τη πόρτα μισάνοιχτη.
 - ❗ Ελέγχετε τακτικά τις στεγανοποιήσεις στις πόρτες για να βεβαιωθείτε ότι είναι καθαρές και απαλλαγμένες από σωματίδια τροφίμων.
 - ❗ Για να αφαιρέσετε ένα ράφι πόρτας, αφαιρέστε όλα τα περιεχόμενα και κατόπιν απλά σπρώξτε το ράφι προς τα πάνω ώστε να βγει από τη βάση του.
 - ❗ Ποτέ μη χρησιμοποιείτε ποτέ καθαριστικούς παράγοντες ή νερό που περιέχει χλώριο για να καθαρίσετε τις εξωτερικές επιφάνειες και τα επιχρωμιωμένα εξαρτήματα του προϊόντος. Το χλώριο προκαλεί διάβρωση σε μεταλλικές επιφάνειες αυτού του είδους.
 - ❗ Μη χρησιμοποιείτε εργαλεία που κόβουν και χαράζουν ή σαπούνι, οικιακά καθαριστικά, απορρυπαντικά βενζίνη, βενζόλιο, κεριά κλπ, διαφορετικά οι στάμπες στα πλαστικά εξαρτήματα θα σβήσουν και θα προκύψει παραμόρφωση. Για τον καθαρισμό χρησιμοποιήστε χλιαρό νερό και ένα μαλακό πανί και σκουπίστε για να στεγνώσει.
- Προστασία των πλαστικών επιφανειών**
- ❗ Μην τοποθετείτε υγρά λάδια ή φαγητά μαγειρεμένα σε λάδι στο ψυγείο σας σε μη σφραγισμένα δοχεία, επειδή προξενούν βλάβες στις πλαστικές επιφάνειες του ψυγείου σας. Σε περίπτωση που χυθεί ή αλειφτεί λάδι στις πλαστικές επιφάνειες, αμέσως καθαρίστε και ξεπλύνετε το επηρεαζόμενο μέρος της επιφάνειας με χλιαρό νερό.

7 Συνιστώμενες λύσεις για προβλήματα

Παρακαλούμε συμβουλευτείτε τη λίστα πριν καλέσετε το σέρβις. Έτσι μπορείτε να εξοικονομήσετε χρόνο και χρήματα. Η λίστα αυτή περιλαμβάνει συχνά παράπονα που δεν είναι αποτέλεσμα ελαττωμάτων της κατασκευής ή των χρησιμοποιούμενων υλικών. Ορισμένες από τις δυνατότητες που περιγράφονται εδώ ίσως να μην υπάρχουν στη συσκευή σας.

Το ψυγείο δεν λειτουργεί.
<ul style="list-style-type: none">• Έχει συνδεθεί το ψυγείο σωστά στο ρεύμα; Συνδέστε το φινι στην πρίζα στον τοίχο.• Μήπως έχει καεί η ασφάλεια της πρίζας στην οποία έχει συνδεθεί το ψυγείο ή η γενική ασφάλεια; Ελέγξτε την ασφάλεια.
Συμπύκνωση στα πλευρικά τοιχώματα του χώρου συντήρησης. (MULTI ZONE, COOL CONTROL και FLEXI ZONE)
<ul style="list-style-type: none">• Πολύ χαμηλές θερμοκρασίες περιβάλλοντος. Συχνό άνοιγμα και κλείσιμο της πόρτας. Πολύ υψηλή υγρασία περιβάλλοντος. Αποθήκευση τροφίμων που περιέχουν υγρά σε ανοικτά δοχεία. Η πόρτα έχει ξεχαστεί μισάνοιχτη.• Ρύθμιση του θερμοστάτη σε χαμηλότερη θερμοκρασία.• Μείωση του χρόνου που μένει ανοικτή η πόρτα ή λιγότερη συχνή χρήση της.• Κάλυψη με κατάλληλο υλικό του φαγητού που φυλάσσεται σε ανοικτά δοχεία.• Σκουπίστε τη συμπυκνωμένη υγρασία με στεγνό πανί και ελέγξτε αν επιμένει.
Ο συμπιεστής δεν λειτουργεί
<ul style="list-style-type: none">• Το προστατευτικό θερμικό του συμπιεστή θα ενεργοποιηθεί σε περίπτωση ξαφνικών διακοπών ρεύματος ή αν η συσκευή αποσυνδεθεί και συνδεθεί γρήγορα στο ρεύμα, όταν η πίεση του ψυκτικού μέσου στο σύστημα ψύξης του ψυγείου δεν έχει εξισορροπηθεί ακόμα.• Η λειτουργία του ψυγείου σας θα αρχίσει πάλι μετά από 6 λεπτά. Παρακαλούμε καλέστε το σέρβις αν το ψυγείο σας δεν ξεκινήσει πάλι μετά το τέλος αυτού του χρονικού διαστήματος.• Το ψυγείο βρίσκεται στον κύκλο απόψυξης. Αυτό είναι κανονικό για ψυγείο που δεν διαθέτει απόλυτα αυτόματη απόψυξη. Ο κύκλος απόψυξης λαμβάνει χώρα περιοδικά.• Το ψυγείο δεν έχει συνδεθεί στην πρίζα. Βεβαιωθείτε ότι το φινι έχει τοποθετηθεί σωστά στην πρίζα.• Έχουν γίνει σωστά οι ρυθμίσεις θερμοκρασίας; Υπάρχει διακοπή ρεύματος. Καλέστε την εταιρία σας παροχής ηλεκτρισμού.

<p>Το ψυγείο ενεργοποιείται συχνά ή για πολλή ώρα.</p> <ul style="list-style-type: none"> • Το νέο σας ψυγείο μπορεί να είναι πλατύτερο από το παλαιό. Αυτό είναι πολύ φυσιολογικό. Τα μεγάλα ψυγεία λειτουργούν για μεγαλύτερο χρονικό διάστημα. • Η θερμοκρασία του περιβάλλοντος χώρου είναι πολύ υψηλή. Αυτό είναι πολύ φυσιολογικό. • Το ψυγείο ίσως συνδέθηκε στην πρίζα πρόσφατα ή μπορεί να έχει φορτωθεί με πολλά τρόφιμα. Η πλήρης ψύξη του ψυγείου σας στη θερμοκρασία λειτουργίας μπορεί να διαρκέσει δύο ώρες επιπλέον. • Μπορεί πρόσφατα να τοποθετήθηκαν στο ψυγείο μεγάλες ποσότητες ζεστού φαγητού. Το πολύ ζεστό φαγητό προκαλεί λειτουργία του ψυγείου για περισσότερη ώρα έως ότου φθάσει την επιθυμητή θερμοκρασία φύλαξης των τροφίμων. • Ίσως να ανοίγονταν συχνά οι πόρτες ή να παρέμειναν μισάνοιχτες για μεγάλο χρονικό διάστημα. Ο θερμός αέρας που έχει εισέλθει στο ψυγείο προκαλεί τη λειτουργία του ψυγείου για μεγαλύτερες χρονικές περιόδους. Ανοίξτε τις πόρτες λιγότερο συχνά. • Η πόρτα του χώρου κατάψυξης ή συντήρησης μπορεί να έχει ξεχαστεί μισάνοιχτη. Ελέγξτε αν οι πόρτες έχουν κλείσει καλά. • Το ψυγείο έχει ρυθμιστεί σε πολύ χαμηλή θερμοκρασία. Ρυθμίστε τη θερμοκρασία του ψυγείου σε υψηλότερο επίπεδο και περιμένετε έως ότου επιτευχθεί αυτή η θερμοκρασία. • Η στεγανοποίηση πόρτας της συντήρησης ή κατάψυξης μπορεί να είναι λερωμένη, φθαρμένη, σπασμένη ή δεν εφαρμόζει καλά. Καθαρίστε ή αντικαταστήστε τη στεγανοποίηση. Αν υπάρχει ζημιά/ σπάσιμο στη στεγανοποίηση της πόρτας, μπορεί να προκληθεί λειτουργία του ψυγείου για μεγαλύτερες περιόδους για να διατηρείται η τρέχουσα θερμοκρασία.
<p>Η θερμοκρασία της κατάψυξης είναι πολύ χαμηλή ενώ η θερμοκρασία της συντήρησης είναι επαρκής.</p>
<ul style="list-style-type: none"> • Η θερμοκρασία του χώρου κατάψυξης έχει ρυθμιστεί σε πολύ χαμηλό επίπεδο. Ρυθμίστε τη θερμοκρασία του χώρου κατάψυξης σε υψηλότερο επίπεδο και ελέγξτε.
<p>Η θερμοκρασία της συντήρησης είναι πολύ χαμηλή ενώ η θερμοκρασία της κατάψυξης είναι επαρκής.</p>
<ul style="list-style-type: none"> • Η θερμοκρασία του χώρου συντήρησης έχει ρυθμιστεί σε πολύ χαμηλό επίπεδο. Ρυθμίστε τη θερμοκρασία του χώρου συντήρησης σε υψηλότερο επίπεδο και ελέγξτε.
<p>Τα τρόφιμα στα συρτάρια της συντήρησης παγώνουν.</p>
<ul style="list-style-type: none"> • Η θερμοκρασία του χώρου συντήρησης έχει ρυθμιστεί σε πολύ χαμηλό επίπεδο. Ρυθμίστε τη θερμοκρασία του χώρου συντήρησης σε υψηλότερο επίπεδο και ελέγξτε.

<p>Η θερμοκρασία στη συντήρηση ή την κατάψυξη είναι πολύ υψηλή.</p> <ul style="list-style-type: none"> • Η θερμοκρασία της συντήρησης έχει ρυθμιστεί σε πολύ υψηλό επίπεδο. Η ρύθμιση της συντήρησης έχει επίδραση στη θερμοκρασία της κατάψυξης. Αλλάξτε τη θερμοκρασία της συντήρησης ή κατάψυξης έως ότου η θερμοκρασία της συντήρησης ή κατάψυξης φθάσει σε επαρκές επίπεδο. • Η πόρτα μπορεί να έχει μείνει μισάνοιχτη. Κλείστε καλά την πόρτα. • Μπορεί πρόσφατα να τοποθετήθηκαν στο ψυγείο μεγάλες ποσότητες ζεστού φαγητού. Περιμένετε έως ότου η συντήρηση ή η κατάψυξη φθάσει στην επιθυμητή θερμοκρασία. • Το ψυγείο μπορεί να έχει συνδεθεί στην πρίζα πρόσφατα. Η πλήρης ψύξη του ψυγείου απαιτεί χρόνο λόγω του μεγέθους του.
<p>Το ψυγείο παράγει θόρυβο παρόμοιο με το τικ τακ του ρολογιού.</p> <ul style="list-style-type: none"> • Ο θόρυβος προέρχεται από την ηλεκτρομαγνητική βαλβίδα του ψυγείου. Ο σκοπός της ηλεκτρομαγνητικής βαλβίδας είναι η εξασφάλιση της διέλευσης ψυκτικού μέσου μέσα από το χώρο που μπορεί να ρυθμιστεί σε θερμοκρασίες ψύξης ή κατάψυξης, και η εκτέλεση των λειτουργιών ψύξης. Αυτό είναι φυσιολογικό και δεν αποτελεί ένδειξη δυσλειτουργίας.
<p>Ο θόρυβος λειτουργίας αυξάνεται όταν λειτουργεί το ψυγείο.</p> <ul style="list-style-type: none"> • Τα χαρακτηριστικά λειτουργίας του ψυγείου μπορεί να διαφέρουν ανάλογα με τις μεταβολές της θερμοκρασίας περιβάλλοντος. Το φαινόμενο είναι φυσιολογικό και δεν αποτελεί ένδειξη δυσλειτουργίας.
<p>Κραδασμοί ή θόρυβος.</p> <ul style="list-style-type: none"> • Το δάπεδο δεν είναι ομαλό ή δεν είναι ανθεκτικό. Το ψυγείο ταλαντεύεται όταν μετακινηθεί ελαφρά. Βεβαιωθείτε ότι το δάπεδο είναι οριζόντιο, ανθεκτικό και ικανό να φέρει το βάρος του ψυγείου. • Ο θόρυβος μπορεί να προκαλείται από αντικείμενα που έχουν τοποθετηθεί πάνω στο ψυγείο. Αυτά τα είδη πρέπει να απομακρυνθούν από τη συσκευή.
<p>Υπάρχουν θόρυβοι σαν ροής ή ψεκασμού υγρού.</p> <ul style="list-style-type: none"> • Η ροή υγρών και αερίων είναι σύμφωνη με την αρχή λειτουργίας του ψυγείου σας. Το φαινόμενο είναι φυσιολογικό και δεν αποτελεί ένδειξη δυσλειτουργίας.
<p>Υπάρχει θόρυβος σαν ανέμου που φυσά.</p> <ul style="list-style-type: none"> • Για την αποτελεσματική ψύξη του ψυγείου χρησιμοποιούνται συσκευές διακίνησης αέρα (ανεμιστήρες) . Το φαινόμενο είναι φυσιολογικό και δεν αποτελεί ένδειξη δυσλειτουργίας.
<p>Συμπύκνωση στα εσωτερικά τοιχώματα του ψυγείου.</p> <ul style="list-style-type: none"> • Ο ζεστός και υγρός καιρός αυξάνει το σχηματισμό πάγου και συμπύκνωσης. Το φαινόμενο είναι φυσιολογικό και δεν αποτελεί ένδειξη δυσλειτουργίας. • Η πόρτες είναι μισάνοιχτες. Βεβαιωθείτε ότι οι πόρτες είναι τελείως κλειστές. • Ίσως να ανοίγονταν συχνά οι πόρτες ή να παρέμειναν ανοικτές για μεγάλο χρονικό διάστημα. Ανοίγετε την πόρτα λιγότερο συχνά.
<p>Εμφανίζεται υγρασία στο εξωτερικό του ψυγείου ή ανάμεσα στις πόρτες.</p> <ul style="list-style-type: none"> • Ο καιρός μπορεί να είναι υγρός. Αυτό είναι πολύ φυσιολογικό σε περίπτωση υγρού καιρού. Όταν η υγρασία είναι μικρότερη, η συμπύκνωση θα πάψει να εμφανίζεται.

Κακοσμία στο εσωτερικό του ψυγείου.

- Το εσωτερικό του ψυγείου πρέπει να καθαριστεί. Καθαρίστε το εσωτερικό του ψυγείου, με ένα σφουγγάρι, χλιαρό νερό ή διάλυμα μαγειρικής σόδας σε νερό.
- Ίσως η οσμή να προκαλείται από ορισμένα δοχεία ή υλικά συσκευασίας. Χρησιμοποιήστε διαφορετικό δοχείο ή διαφορετική μάρκα υλικού συσκευασίας.

Η (Οι) πόρτα(-ες) δεν κλείνει(-ουν).

- Συσκευασίες τροφίμων ίσως να εμποδίζουν το κλείσιμο της πόρτας. Μετατοπίστε τις συσκευασίες που εμποδίζουν την πόρτα.
- Το ψυγείο πιθανόν να μην είναι εντελώς κατακόρυφο στο δάπεδο και μπορεί να ταλαντεύεται όταν σπρωχτεί ελαφρά. Ρυθμίστε τις βίδες ανύψωσης.
- Το δάπεδο δεν είναι επίπεδο ή δεν είναι ανθεκτικό. Βεβαιωθείτε ότι το δάπεδο είναι οριζόντιο και ικανό να φέρει το βάρος του ψυγείου.

Τα συρτάρια λαχανικών έχουν κολλήσει.

- Τα τρόφιμα μπορεί να αγγίζουν την οροφή του συρταριού. Ανακατανείμετε τα τρόφιμα στο συρτάρι.

Αν Η Επιφάνεια Του Προϊόντος Είναι Θερμη.

- Ενδέχεται να παρατηρηθούν υψηλές θερμοκρασίες ανάμεσα στις δύο πόρτες, στα πλευρικά πλαίσια και στην πίσω σχάρα κατά τη λειτουργία του προϊόντος. Αυτό είναι φυσιολογικό και το προϊόν δεν χρειάζεται συντήρηση! Προσοχή όταν αγγίζετε αυτές τις επιφάνειες.

ΠΑΡ. ΣΕΪΤΑΝΙΔΗΣ Α.Ε.

ΠΟΛΥΣΤΥΛΟ ΚΑΒΑΛΑΣ ΤΗΛ 2510 392 180-3
ΥΠΟΚΑΤΑΣΤΗΜΑ ΑΘΗΝΩΝ
ΑΛΙΜΟΥ 8 ΚΑΙ ΖΑΛΟΓΓΟΥ, ΑΛΙΜΟΣ
ΤΗΛ 211 012 2829-30-31-32
E-mail: seitanidis@otenet.gr



ΕΓΓΥΗΣΗ

Η εταιρεία ΠΑΡ.ΣΕΪΤΑΝΙΔΗΣ Α.Ε. σας ευχαριστεί για την προτίμηση που δείξατε αγοράζοντας τις συσκευές beko και σας παρέχει τον παρακάτω χρόνο εγγύησης από την ημερομηνία αγοράς τους. Αν μέσα στην διάρκεια της εγγύησης η συσκευή σας χρειαστεί επισκευή, μπορείτε να ενημερωθείτε για τα εξουσιοδοτημένα service από το τηλεφωνικό κέντρο της εταιρεία μας στο τηλέφωνο **2510 392511 / 2510 392512**

ΨΥΓΕΙΑ	3 ΧΡΟΝΙΑ	ΚΑΤΑΨΥΚΤΕΣ	3 ΧΡΟΝΙΑ
ΚΟΥΖΙΝΕΣ	3 ΧΡΟΝΙΑ	ΦΟΥΡΝΟΙ ΜΙΚΡΟΚΥΜΑΤΩΝ	2 ΧΡΟΝΙΑ
ΠΛΥΝΤΗΡΙΑ	3 ΧΡΟΝΙΑ	ΜΙΚΡΟΣΥΣΚΕΥΕΣ - ΣΚΟΥΠΕΣ	2 ΧΡΟΝΙΑ

ΟΝΟΜΑΤΕΠΩΝΥΜΟ ΑΓΟΡΑΣΤΗ..... ΑΡ. ΕΓΓΥΗΣΗΣ.....

..... ΑΡ. ΠΑΡΑΣΤΑΤ. ΑΓΟΡΑΣ.....

ΔΙΕΥΘΥΝΣΗ..... ΜΟΝΤΕΛΟ ΣΥΣΚΕΥΗΣ.....

..... ΣΕΙΡΙΑΚΟΣ ΑΡΙΘΜΟΣ ΣΥΣΚΕΥΗΣ.....

ΤΗΛ : ΗΜΕΡ/ΝΙΑ ΑΓΟΡΑΣ.....

ΣΦΡΑΓΙΔΑ & ΥΠΟΓΡΑΦΗ ΠΩΛΗΤΗ.....



ΟΝΟΜΑΤΕΠΩΝΥΜΟ ΑΓΟΡΑΣΤΗ..... ΑΡ. ΕΓΓΥΗΣΗΣ.....

..... ΑΡ. ΠΑΡΑΣΤΑΤ. ΑΓΟΡΑΣ.....

ΔΙΕΥΘΥΝΣΗ..... ΜΟΝΤΕΛΟ ΣΥΣΚΕΥΗΣ.....

..... ΣΕΙΡΙΑΚΟΣ ΑΡΙΘΜΟΣ ΣΥΣΚΕΥΗΣ.....

ΤΗΛ : ΗΜΕΡ/ΝΙΑ ΑΓΟΡΑΣ.....

ΣΦΡΑΓΙΔΑ & ΥΠΟΓΡΑΦΗ ΠΩΛΗΤΗ.....

.....

ΟΡΟΙ ΚΑΙ ΠΡΟΫΠΟΘΕΣΕΙΣ ΊΣΧΥΟΣ ΤΗΣ ΠΑΡΟΥΣΗΣ ΕΓΓΥΗΣΗΣ

1. Για να ισχύει η παρούσα εγγύηση θα πρέπει να συμπληρωθούν πλήρως και να υπογραφούν δεόντως με φροντίδα του πελάτη και τα δύο μέρη της εγγύησης. Το απόκομμα για την εταιρεία θα πρέπει να ταχυδρομηθεί με συστημένη επιστολή ή να προσκομηθεί στα γραφεία της εταιρείας μας (Πολύτυλο Καβάλας, Τ.Θ 1402 , Τ.Κ.64003) εντός 10 ημερών από την ημερομηνία αγοράς.
2. Η εργοστασιακή εγγύηση καλύπτει τον χρόνο που αναγράφεται στον σχετικό πίνακα για κάθε συσκευή, κάθε ανωμαλία ή βλάβη που οφείλεται αποκλειστικά σε κατασκευαστικό ελάττωμα ή ελαττωματικό εξάρτημα της συσκευής. Η αποκατάσταση της βλάβης γίνεται εντελώς δωρεάν δια της αντικατάστασης ή επισκευής του ελαττωματικού εξαρτήματος. Σε καμία περίπτωση δεν προβλέπεται η **αντικατάσταση** της συσκευής. Ο καταναλωτής οφείλει με δικές του δαπάνες να πάει την συσκευή στο κοντινότερο εξουσιοδοτημένο service της εταιρίας.
3. Η εταιρεία μας διατηρεί το δικαίωμα να καθορίζει τον τρόπο και τόπο επισκευής των βλαβών κατά την απόλυτη κρίση της .
4. Η εγγύηση δεν καλύπτει βλάβες που οφείλονται άμεσα ή έμμεσα σε αμέλεια , παράλειψη , κακή εγκατάσταση και πάσης φύσεως επέμβαση στη συσκευή από μη εξουσιοδοτημένο συνεργείο , κακή χρήση και ελλιπή συντήρηση της συσκευής. Επίσης η εταιρεία μας δεν ευθύνεται για βλάβες που οφείλονται σε κακή ηλεκτρική σύνδεση σε τάση διαφορετική από την αναγραφόμενη στη πινακίδα της συσκευής , σε μη γειωμένο ρευματοδότη ή σε μεταβολές της τάσης. Στις καλύψεις της εγγύησης δεν συμπεριλαμβάνονται τα εύθραυστα εξαρτήματα όπως ενδεικτικά αναφέρουμε :γυάλινες και πλαστικές επιφάνειες , λυχνίες κ.α.
5. Η εγγύηση παρέχεται προς τον αρχικό αγοραστή και ισχύει από την ημερομηνία αγοράς της συσκευής.
6. Η παρούσα εγγύηση πρέπει να συνοδεύεται από τιμολόγιο ή δελτίο λιανικής πώλησης ή φωτοαντίγραφο **αυτού**.

Αποφύγετε την αλλοίωση της εγγύησης και της πινακίδας μητρώου που βρίσκεται στο πίσω μέρος της συσκευής.

Φυλάξτε την εγγύηση και μετά την λήξη της.

Προσκομίστε την σε κάθε αίτηση για επισκευή.

ΠΡΟΣΟΧΗ

ΣΕ ΠΕΡΙΠΤΩΣΗ ΠΟΥ ΔΕΝ ΣΤΑΛΕΙ Η ΚΑΡΤΑ ΕΓΓΥΗΣΕΩΣ ΕΝΤΟΣ 10 ΗΜΕΡΩΝ ΣΤΗΝ ΕΤΑΙΡΕΙΑ ΔΕΝ ΊΣΧΥΕΙ Η ΕΓΓΥΗΣΗ ΤΗΣ ΣΥΣΚΕΥΗΣ ΠΟΥ ΕΠΙΛΕΞΑΤΕ

SERVICE ΔΕΥΚΩΝ ΣΥΣΚΕΥΩΝ

ΑΘΗΝΑ ΜΑΚΡΗΣ ΦΩΤΙΟΣ	210 2116649 6932366733	ΘΕΣΣΑΛΟΝΙΚΗ ΓΙΑΓΟΥΡΗΣ Π. Κ ΣΙΑ Ο.Ε.	6947424284 6936065106
ΠΑΤΡΑ ΧΟΡΜΠΑΣ ΝΙΚΟΛΑΟΣ	2610 640810 6932 437700	ΒΟΛΟΣ ΝΑΟΥΜΙΔΗΣ ΓΕΩΡΓΙΟΣ	22410 94130 6981972363
ΙΩΑΝΝΙΝΑ ΤΣΟΥΓΙΑΣ ΧΡΗΣΤΟΣ	26510 31947 6945 306990	ΚΟΜΟΤΗΝΗ ΠΑΠΑΖΟΥΔΗΣ ΚΩΝΣΤΑΝΤΙΝΟΣ	25310 33711 6932 587473

SERVICE ΘΛΑΕΟΡΑΣΕΩΝ – HIFI

ΑΘΗΝΑ ΜΑΝΩΛΟΠΟΥΛΟΣ ΓΕΩΡΓΟΣ	210 8836512	ΘΕΣΣΑΛΟΝΙΚΗ ΣΑΜΙΟΣ ΠΑΡΑΣΧΟΣ	2310 429229
ΠΑΤΡΑ ΗΛΙΟΠΟΥΛΟΣ ΔΗΜΗΤΡΙΟΣ	2610 622388	ΒΟΛΟΣ ΜΑΡΓΑΡΙΤΟΥΛΗΣ ΘΕΟΔΩΡΟΣ	24210 30113



ΠΡΟΣ : **beko**

ΠΑΡ. ΣΕΪΤΑΝΙΔΗΣ Α.Ε.

ΠΟΛΥΣΤΥΛΟ ΚΑΒΑΛΑΣ
Τ.Θ 1402 , Τ.Κ.64003
ΤΗΛ 2510 392180-3

ΧΩΡΟΣ
ΓΡΑΜ / ΜΟΥ

يرجى قراءة هذا الدليل أولاً!

عملينا العزيز،

نأمل أن هذا المنتج والذي تم إنتاجه في مصانع حديثة وفحصه بإجراءات صارمة لرقابة الجودة سيقدم لكم خدمة فعالة.

ولذلك فنحن نوصي بقراءة هذا الدليل بالكامل بعناية قبل استخدامه وحفظه للرجوع إليه في المستقبل.

هذا الدليل

- سيساعدك على استخدام الجهاز بسرعة وبطريقة مأمونة.
- يرجى قراءة هذا الدليل قبل تركيب المنتج وتشغيله.
- يرجى اتباع الإرشادات، خاصةً تلك المتعلقة بالسلامة.
- احتفظ بهذا الدليل في مكان يسهل الوصول إليه عند الحاجة إليه في المستقبل.
- وبالإضافة إلى ذلك، يرجى قراءة المستندات الأخرى المرفقة مع المنتج.
- يرجى ملاحظة أن هذا الدليل قد يكون صالحاً لأنواع أخرى أيضاً.

الرموز ومعانيها.

يحتوي دليل التعليمات هذا على الرموز التالية.

- ❗ معلومات مهمة أو تلميحات استخدام مفيدة.
- ⚠ تحذير ضد الأحوال الخطرة على حياة البشر والممتلكات.
- ⚠ تحذير ضد الفولتية الكهربائية.

1 ثلاجتك**3****2 تحذيرات السلامة المهمة****4**

- 4 الغرض المخصص
- 4 السلامة العامة
- 6 تأمين سلامة الأطفال
- 6 متوافق مع تشريعات WEEE في التخلص من المنتجات التالفة
- 6 التوافق مع توجيهات RoHS
- 7 بيانات التغليف
- 7 تحذير الحرارة والتبريد والتهوية (HC)
- 7 أشياء يجب عملها لتوفير الطاقة

3 التركيب**8**

- 8 نقاط يجب الإهتمام بها عند الثلاجة
- 8 قبل بدأ تشغيل الثلاجة
- 8 التوصيل الكهربائي
- 8 التخلص من عبوة المنتج
- 8 التخلص من الثلاجة القديمة
- 9 الوضع والتركيب
- 9 تغيير مصباح الإضاءة
- 9 ضبط القدم

4 الإعداد**10**

- 11 عكس الأبواب

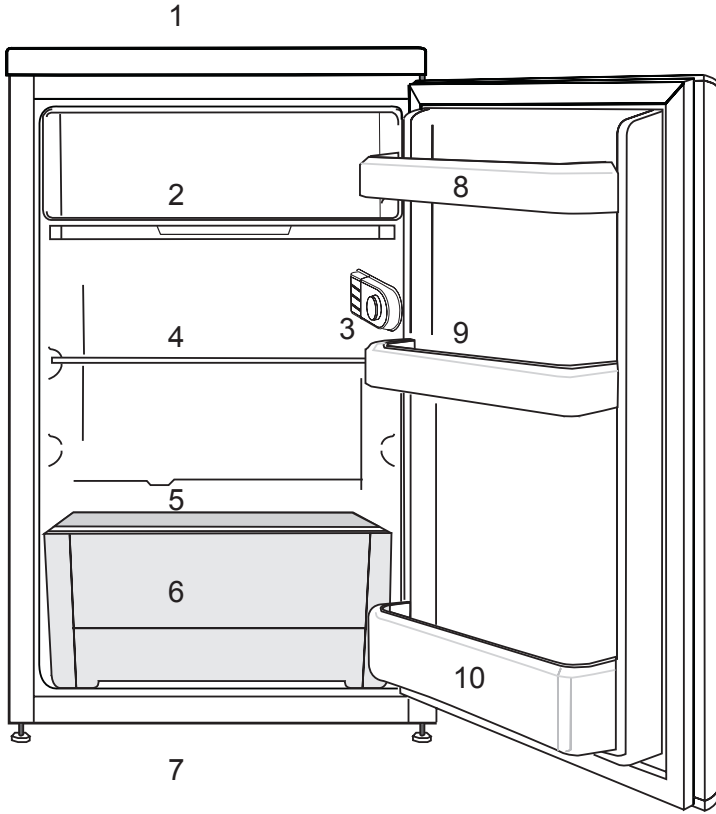
5 استخدام ثلاجتك**12**

- 12 التبريد
- 12 تخزين الأغذية
- 13 إزالة الثلج عن الجهاز

6 الصيانة والتنظيف**15**

- 15 حماية الأسطح البلاستيكية

7 حلول مقترحة للمشكلات**16**



6- هش قدم جبهة

7- قابل للتعديل

8 الباب الرفوف

9-الببيض صينية

10-زجاجة الرف

1 - تقليم الأعلى


2 - تصفى صينية

3-الداخلية الضوء والحرارة مقبض الباب

4-المنقول الرف

5 هش الغطاء

① الأشكال الواردة في دليل التعليمات هذا هي رسومات بيانية وقد لا تتطابق تمامًا مع المنتج. إذا لم تكن هذه القطع واردة في هذا الجهاز الذي اشتريته، فإنها مناسبة لأنواع أخرى.

<p>تحذير: لا تقم بتخزين المواد المتفجرة مثل علب الهباء الجوي مع بالوقود قابل للاشتعال في هذا الجهاز</p>	
---	---

يرجى فحص المعلومات التالية. ربما يؤدي الإخفاق في اتباع هذه المعلومات إلى إصابات أو تلف للممتلكات. ومن ثم، قد تصبح كل التزامات الفعالية والضمان غير سارية.





- سيتم توفير قطع غيار أصلية لمدة 10 أعواماً، بعد تاريخ الشراء المنتج.

الغرض المخصص

هذا الجهاز مصمم للاستخدام المنزلي والتطبيقات المماثلة مثل - مناطق كادر الطبخ في المتاجر والمكاتب وبيئات العمل الأخرى؛ - المزارع و النزلاء في الفنادق وفنادق الطرق والبيئات السكنية المماثلة؛ أماكن المبيت والإفطار؛ - أماكن المبيت والإفطار؛ - عمليات التموين والتطبيقات المماثلة في غير محلات التجزئة.

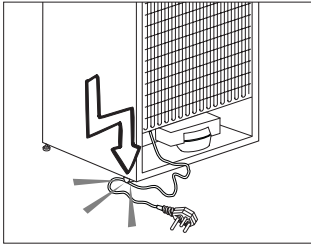
السلامة العامة

- إذا أردت التخلص من الجهاز، فيوصى باستشارة مركز الصيانة المعتمد لمعرفة المعلومات المطلوبة والهيئات المعتمدة.
- استشر مركز الصيانة المعتمد حول كل الاستفسارات والمشكلات المتعلقة بالتلاجة. لا تتدخل ولا تدع أحدًا يتدخل في صيانة الجهاز دون إخبار مراكز الصيانة المعتمدة.
- بالنسبة للمنتجات المزودة بمقصورة فريزر، لا تأكل بسكويت الأيس كريم ومكعبات الثلج مباشرة بعد إخراجها من صندوق الفريزر. (فقد يسبب هذا لسعة صقيع داخل فمك.)
- بالنسبة للمنتجات المزودة بمقصورة فريزر، لا تضع المشروبات السائلة المعلبة أو الموضوع في زجاجات في صندوق الفريزر. وإلا، فقد تنفجر.
- لا تلمس الطعام المجمد باليد، فقد يلتصق بيدك.
- أفضل قلبس التيار الكهربائي قبل تنظيف التلاجة أو إزالة الثلج.
- لا يجب استخدام البخار أو مواد التنظيف بالبخار أبدًا في تنظيف أو عمليات إزالة الثلج من التلاجة. ففي مثل هذه الحالة، قد يتفاعل البخار مع القطع الكهربائية ويؤدي إلى قطع التيار الكهربائي أو وقوع صدمة

<p>تحذير: حافظ على فتحات التهوية في تجويف الجهاز أو في البنية المدمجة خالية من الانسداد.</p>	
<p>تحذير: لا تستخدم الأجهزة الميكانيكية أو الوسائل الأخرى لتسريع عملية إزالة الصقيع. غير تلك التي يوصي بها المصنع.</p>	
<p>تحذير: لا تلتف الدائرة الكهربائية لمادة التبريد.</p>	
<p>تحذير: لا تستخدم الأجهزة الكهربائية في حجرة المؤن في الجهاز إلا إذا كانت من النوع الذي يوصي بها المصنع.</p>	

كهربية.

- مركز الصيانة إذا لديك أي شك.
- يمكن ضمان السلامة الكهربائية للثلاجة فقط إذا كان نظام التوصيل الأرضي في منزلك يتوافق مع المعايير.
- إن تعريض الجهاز للأمطار و الثلج و الشمس والرياح يمثل خطورة فيما يتعلق بالسلامة الكهربائية.
- اتصل بفني خدمة مؤهل في حالة وجود تلف بكابل الطاقة لتجنب المخاطر.
- لا تقم بتوصيل الثلاجة بمنفذ الحائط أبداً أثناء عملية التركيب. وإلا، فهناك خطر أن تلقى مصرعك أو تلحق بك إصابة خطيرة.
- تم تصميم هذه الثلاجة فقط لحفظ الطعام.
- يجب ألا تستخدم لأية أغراض أخرى.
- يوجد ملصق التصنيف الذي يحتوي على المواصفات الفنية للمنتج في الجزء الأيسر الداخلي للثلاجة.
- لا تصل الثلاجة بأي نظم إلكترونية لتوفير الطاقة فقد يتلف المنتج.
- إذا كانت الثلاجة بها لون أزرق، فلا تنتظر إلى اللون الأزرق من خلال أجهزة بصرية.
- إذا كان هناك ضوء أزرق على الثلاجة، لا تنتظر إليه بالعين المجردة أو بالأدوات البصرية لفترة طويلة.
- ينبغي تسليم دليل التشغيل هذا إلى المالك الجديد للثلاجة عند بيعها للآخرين.
- تجنب تلف كابل الطاقة أثناء نقل الثلاجة. قد يتسبب الكابل المثني في نشوب حريق. لا تضع أي أشياء ثقيلة على كابل الطاقة.
- لا تقم بلمس القابس بأيدي مبتلة عند توصيل قابس الثلاجة.

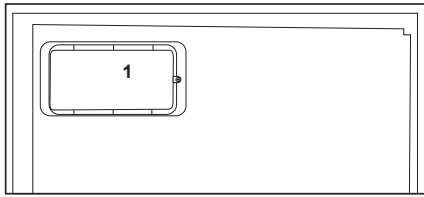
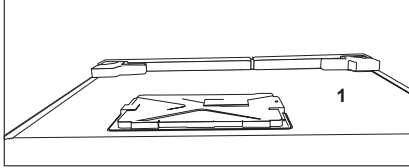


- تصل الثلاجة إذا كان منفذ التيار الكهربائي غير محكم.
- ينبغي عدم نثر الماء على الأجزاء الداخلية

- لا تستخدم مطلقاً قطع الثلجة، مثل الباب كوسيلة دعم أو للوقوف عليه.
- لا تستخدم أي أجهزة كهربائية داخل الثلجة.
- لا تتلف الأجزاء حيث يتم تدوير الهواء البارد بأدوات حفر أو قطع. فقد ينفجر المبرد عند ثقب قنوات الغاز أو المبخر أو وصلات الأنابيب أو طلاءات السطح، وقد يتسبب ذلك في حدوث اعتلال للجلد وإصابات للعين.
- لا تغط فتحات تهوية الثلجة أو تسدها بأي مواد.
- يجب إجراء الإصلاحات بواسطة شخص مؤهل فقط. فعمليات الإصلاح التي يقوم بها أشخاص غير مؤهلين قد تمثل خطورة على المستخدم.
- في حالة وقوع أي عطل أو أثناء أي عملية صيانة أو أعمال إصلاح، افصل الثلجة عن مصدر التيار الكهربائي الرئيسي إما بإغلاق المنصهر المعني أو بنزع قابس التيار الكهربائي الخاص بالجهاز.
- لا تجذب الكابل - بل اجذب من المقبس.
- تحقق من أن المشروبات الكحولية مخزنة بشكل آمن، محكمة الإغلاق و في وضع رأسي.
- يجب عدم الاحتفاظ في الثلجة بالمواد القابلة للاشتعال أو المنتجات التي تحتوي على غازات قابلة للاشتعال (مثل الإسبراي) وكذلك المواد القابلة للانفجار.
- يجب عدم استخدام أدوات ميكانيكية أو أية وسائل أخرى للتسريع من عملية إزالة التجميد، بخلاف الأدوات التي توصي بها الجهة المصنعة.
- هذا الجهاز غير مُعد للاستخدام بواسطة الأفراد (بما في ذلك الأطفال) ذوي القدرات الجسدية والحسية والذهنية المحدودة، أو الأفراد الذين يفتقدون للخبرة والمعرفة ما لم يتم الإشراف عليهم أو إعطائهم تعليمات استخدام الجهاز بواسطة شخص مسئول عن سلامتهم أو الشخص الذي سيقوم بإعطائهم التعليمات الخاصة باستخدام المنتج.
- لا تقم بتشغيل الثلجة وهي تالفة. انتشر

0.6 م) كحد أدنى و100 ف (38 م) كحد أقصى.

- لا تستخدم الجهاز إذا كان القسم الموجود على سطح الجهاز أو على ظهره الذي يحوي ألواح إلكترونية مطبوعة في الداخل مفتوحا (غطاء وح الدائرة الإلكترونية المطبوعة) (1).



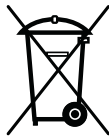
تأمين سلامة الأطفال

- إذا كان الباب مزودًا بقلع، فينبغي الاحتفاظ بالمفتاح بعيدًا عن متناول الأطفال.
- يجب رقابة الأطفال حتى لا يعيشوا بالمنتج.

متوافق مع تشريعات WEEE في التخلص من المنتجات التالفة.

هذا الجهاز لا يحتوي على مواد مؤذية أو محرمة من تلك المشار إليها في "تشريعات الرقابة على نفايات الأجهزة الكهربائية والإلكترونية" المصدرة من وزارة البيئة وتخطيط المدن التركية. متوافق مع تشريعات WEEE.

تم تصنيع هذا الجهاز بأجزاء ومواد عالية الجودة يمكن إعادة استخدامها وهي مناسبة لإعادة التدوير. وعلى ذلك، لا تتخلص من الجهاز مع النفايات المنزلية العادية في نهاية فترة حياته. عليك أخذه إلى نقطة التجميع لإعادة تدوير المعدات



الكهربائية والإلكترونية. يرجى التشاور مع السلطات المحلية لمعرفة أقرب نقطة تجميع. ساعد في حماية البيئة والموارد الطبيعية عبر إعادة تدوير المنتجات المستخدمة. لسلامة الأطفال، اقطع كابل الطاقة واكسر

أو الخارجية للثلاجة لدواعي السلامة.

- لا ترش مواد قابلة للاشتعال مثل غاز البروبين بالقرب من الثلاجة بسبب مخاطر نشوب النيران والانفجار.
- لا تضع أشياء مملوئة بالماء أعلى الثلاجة، ففي حالة إنسكابها، فقد تؤدي إلى صدمة كهربائية أو نشوب حريق.
- لا تزيد من حمولة الثلاجة بالأطعمة. إذا كانت الثلاجة بها حمل زائد، فقد يسقط الطعام ويصيبك ويتلف الثلاجة عند فتح الباب.
- لا تضع أشياء ثقيلة أعلى الثلاجة حيث قد تقع عند فتح باب الثلاجة أو غلقه.
- ينبغي عدم حفظ المنتجات التي تحتاج إلى تحكم دقيق في درجات الحرارة (الأصمالة أو الأدوية ذات الحساسية للحرارة أو المواد العلمية أو ما شابه) في الثلاجة.
- إذا لن يتم استخدام الثلاجة لفترة طويلة، فيجب فصلها عن التيار الكهربائي. قد تتسبب أي مشكلة في عزل الكابل في نشوب حريق.

- من الممكن أن تتحرك الثلاجة إذا لم يتم تثبيتها بإحكام على الأرض. يمكن للأقدام القابلة للضبط المثبتة بإحكام على الأرض أن تثبت الثلاجة في مكانها ولا تتحرك.
- عند حمل الثلاجة، لا تمسكها من مقبض الباب. وإلا فيكسر.

يجب أن يكون ضغط مدخل الماء البارد 90psi كحد أقصى (620 kPa). إذا تجاوز ضغط الماء 80 psi (550 kPa) (بار)، استخدم صمام حد الضغط في نظامك الرئيسي. إذا كنت لا تعلم كيف تفحص ضغط الماء الخاص بك، اطلب المساعدة من سمكري متخصص.

- إذا ظهر خطر تأثير الطرق المائي أثناء التركيب، استخدم معدات منع الطرق المائي في التركيب دائمًا. استشر سمكري متخصص إن لم تكن متأكدًا من عدم وجود تأثير للطرق المائي في التركيب.
- لا تركبه على مدخل الماء الساخن. يجب أخذ الحيطة من خطر تجمد الخرطوم.
- يجب أن تكون درجة حرارة الماء 33 ف

قبل التخلص من الجهاز.

التوافق مع توجيهات RoHS:

يتوافق المنتج الذي قمت بشرائه مع توجيهات

RoHS للاتحاد الأوروبي (EU/2011/65). لا

يحتوي على مواد ضارة أو محظورة مشار إليها في التوجيهات.

بيانات التغليف

تم تصنيع مواد التغليف الخاصة بهذا المنتج من مواد قابلة لإعادة التصنيع وفقاً للوائح البيئية المحلية الخاصة بنا. لا تتخلص من مواد التغليف مع النفايات المنزلية أو النفايات الأخرى. بل تتخلص منها في نقاط تجميع مواد التغليف المعينة من قبل السلطات المحلية. لا تنسى...

يجب عدم التخلص من أية مواد قابلة لإعادة التدوير حفاظاً على الطبيعة وثروة الموارد القومية.

إذا كانت تريد أن تشارك في إعادة تقييم مواد التعبئة، يمكنك استشارة منظمات البيئة أو المجالس البلدية التي بجوارك.

تحذير الحرارة والتبريد والتهوية (HC)

إذا كان المنتج مزوداً بنظام تبريد يحتوي على

R600a

هذا الغاز قابل للاشتعال. ولذا، يجب توخي الحذر حتى لا يتم إتلاف نظام التبريد والأنابيب أثناء الاستخدام والنقل. في حالة التلف، لا تتخلص من المنتج بإلقائه في النيران، واحتفظ به بعيداً عن مصادر النيران المحتملة والتي يمكن أن تتسبب في نشوب النيران بالمنتج واحرص على تهوية الحجره التي تحتفظ بالمنتج فيها.

إذا كان المنتج مزوداً بنظام تبريد يحتوي على

R134a

نوع الغاز المستخدم في هذا المنتج مذكور على ملصق النوع الموجودة على الجانب الأيسر الداخلي للثلاجة.

لا تتخلص من المنتج مطلقاً بإلقائه في النيران.

أشياء يجب عملها لتوفير الطاقة

- لا تترك أبواب الثلاجة مفتوحة لفترة طويلة.
- لا تضع الأطعمة أو الخضروات الساخنة في الثلاجة.
- لا تزيد حمل الثلاجة بحيث لا تمنع دورة الهواء داخلها.
- لا تتركب الثلاجة تحت أشعة الشمس المباشرة أو بالقرب من أجهزة تتبعث من حرارة مثل الفرن أو

△ في حالة عدم الأخذ بالمعلومات الواردة بدليل المستخدم في الإعتبار، لا يتحمل المصنع أي مسؤولية نتيجة لهذا.

نقاط يجب الإهتمام بها عند التلاجة.

- يجب نزع القابس. قبل نقل التلاجة بالموصلات يجب تفرغها وتنظيفها .
- 2. قبل إعادة تعبئتها، يجب تثبيت الأرفف والملحقات والدرج... الخ، داخل التلاجة بشرط لاصق وتأمينها ضد الصدمات. يجب لف عبوة التلاجة بشرط سميك أو بحبال سليمة ويجب الالتزام بقواعد نقل عبوة التلاجة بصرامة.
- 3. يجب الحفاظ على العبوة الأصلية ومواد التغليف المصاحبة لأغراض النقل المستقبلي أو الانتقال.
- **قبل بدأ تشغيل التلاجة،**
- تحقق من التالي قبل بدأ تشغيل التلاجة:
- 1. أرفق الأسافين البلاستيكية كما هو موضح أدناه. يتم استخدام الأسافين البلاستيكية للحفاظ على وجود مسافة والتي ستؤكد على تدوير الهواء بين التلاجة والحائط. (وضعت هذه الصورة كوصف تصويري ولا تتطابق بالكامل مع المنتج الخاص بك.)
- 2. نظف الجزء الداخلي للتلاجة كما هو موصى به في قسم "الصيانة والتنظيف".
- 3. قم بتوصيل قابس التلاجة مع مقيس الحائط. عند فتح باب التلاجة، سيضيء المصباح الداخلي.
- 4. عندما يبدأ المكثف بالعمل، ستسمع صوتًا. قد تؤدي السوائل والغازات المتسربة من جهاز التلاجة إلى إحداث ضوضاء، حتى إن كان جهاز ضغط الهواء لا يعمل وهذا أمر طبيعي.
- 5. قد يكون ملمس الحواف الأمامية للتلاجة دافئًا. هذا شيء طبيعي. حيث تم تصميم هذه المناطق حتى تكون دافئة تجنبًا للتكاثف.

التوصيل الكهربائي

صل المنتج بمنفذ توصيل أرضي محمي بمنصهر ذي سعة مناسبة.

هام:

- يجب أن يتوافق التوصيل مع اللوائح الوطنية.
- يجب أن يكون قابس التيار في مكان يسهل الوصول إليه بعد التركيب.
- يمكن ضمان السلامة الكهربائية للتلاجة فقط إذا كان نظام التوصيل الأرضي في منزلك يتوافق مع المعايير.
- جهد التيار الكهربائي المذكور على الملصق الموجود على الجانب الداخلي الأيسر من المنتج يجب أن يكون مساويًا للجهد الشبكة لديك.
- **يجب عدم استخدام الوصلات الكهربائية والمقابس متعددة المسالك للتوصيل.**

△ يجب أن يتم استبدال كابل التيار التالف بواسطة فني الكهرباء المعتمد.

△ يجب ألا يتم تشغيل المنتج قبل إصلاحه! حيث يوجد خطر يكمن في التعرض لصدمة كهربائية!

التخلص من عبوة المنتج

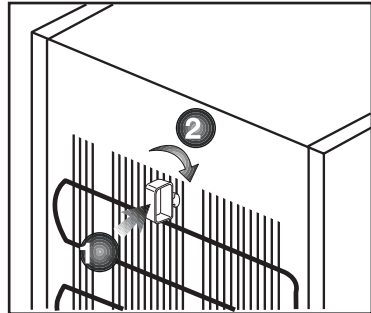
قد تكون مواد التغليف خطرة على الأطفال. احتفظ بمواد التغليف بعيداً عن متناول الأطفال أو تخلص منها بتصنيفها وفقاً لتعليمات التخلص من المخلفات المحددة من السلطات المحلية. لا تتخلص من المخلفات مع مخلفات المنزل العادية، قم بالتخلص منها من خلال نقاط التقاط مواد التعبئة والتغليف المحددة من السلطات المحلية.

يتم تصنيع حزمة تعبئة التلاجة من مواد قابلة لإعادة التدوير.

التخلص من التلاجة القديمة

تخلص من الجهاز القديم دون إحداث أي ضرر بالبيئة.

- يمكنك استشارة الوكيل المعتمد لديك أو مركز تجميع النفايات بمدينتك حول التخلص من التلاجة القديمة. قبل التخلص من التلاجة، اقطع القابس الكهربائي، وفي حالة وجود أي أقفال على باب التلاجة، اجعلها غير قابلة للتشغيل لحماية الأطفال من أي خطر.



الوضع والتركييب

⚠ إذا كان باب الحجرة التي ستوضع بها الثلاجة ضيق بدرجة لا تسمح بمرور الثلاجة من خلاله، فاتصل بمركز الصيانة المعتمد لإزالة أبواب الثلاجة وتمريها وهي مائلة من الباب.

1. ركب الثلاجة في مكان يسمح بسهولة الاستخدام.
2. ضع الثلاجة بعيدًا عن مصادر الحرارة والمناطق الرطبة وأشعة الشمس المباشرة.
3. يجب أن تتوفر التهوية المناسبة حول الثلاجة للحصول على تشغيل يتسم بالكفاءة. إذا كانت الثلاجة ستوضع في تجويف داخل الحائط، فيجب أن يكون يترك 5 سم على الأقل بينها وبين السقف و 5 سم على الأقل بينها وبين الحائط. لا تضع ثلاجتك على مواد مثل السجاد أو الموكيت.
4. ضع الثلاجة على سطح مستو لمنع الحركة المفاجئة.

تغيير مصباح الإضاءة

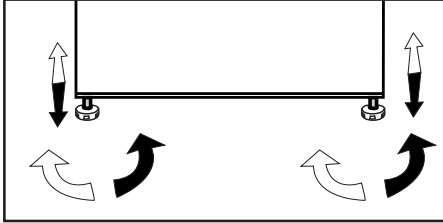
لتغيير المصباح/مصباح الإضاءة الخلفية (LED) المستخدم في إضاءة الثلاجة، يرجى الاتصال بمركز الصيانة المعتمد.

المصباح (المصابيح) المستخدمة في هذا الجهاز غير مناسبة للإضاءة في الغرف المنزلية. الغرض الأساسي لهذا المصباح هو مساعدة المستخدم لوضع أدوات الطعام في الثلاجة/المجمد بطريقة سهلة وآمنة المصابيح المستخدمة في هذا الجهاز لها قدرة تحمل تتمثل في درجات الحرارة أقل من -20 درجة مئوية.

ضبط القدم

إذا كانت الثلاجة غير متزنة؛

يمكن ضبط اتزان الثلاجة بتدوير الأقدام الأمامية كما هو موضح بالشكل. يتم خفض الركن الموجود به القدم عند التدوير باتجاه السهم الأسود ويرتفع عند التدوير في الاتجاه المعاكس. ستساعد الاستعانة بشخص آخر في رفع الثلاجة قليلاً في إنجاز هذه العملية.



❗ يجب تركيب الثلاجة على بعد 30 سم على الأقل من مصادر الحرارة مثل المواقد والأفران والسخان المركزي والمواقف وعلى بعد 5 سم على الأقل من الأفران الكهربائية ويجب عدم وضعها في ضوء الشمس المباشر.

❗ يجب أن تكون درجة الحرارة المحيطة للغرفة التي تضع فيها الثلاجة 10 درجة مئوية على الأقل. ولا يُوصى بتشغيل الثلاجة في ظروف درجة حرارة أقل من ذلك تحقيقاً لكفاءتها.

❗ يُرجى التأكد من تنظيف الثلاجة من الداخل بعناية.

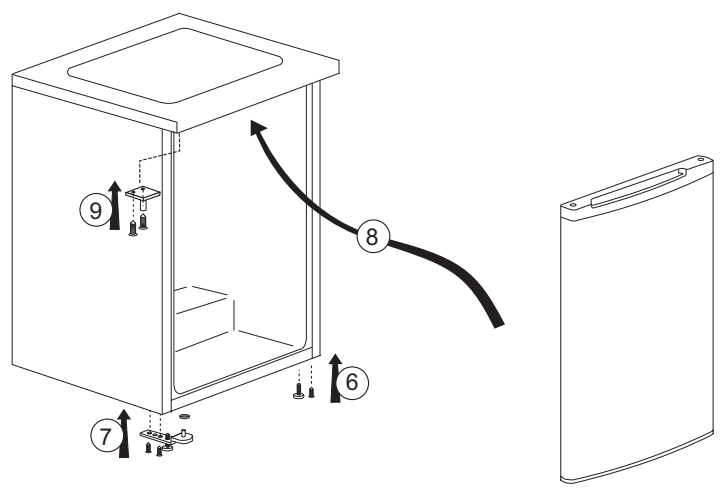
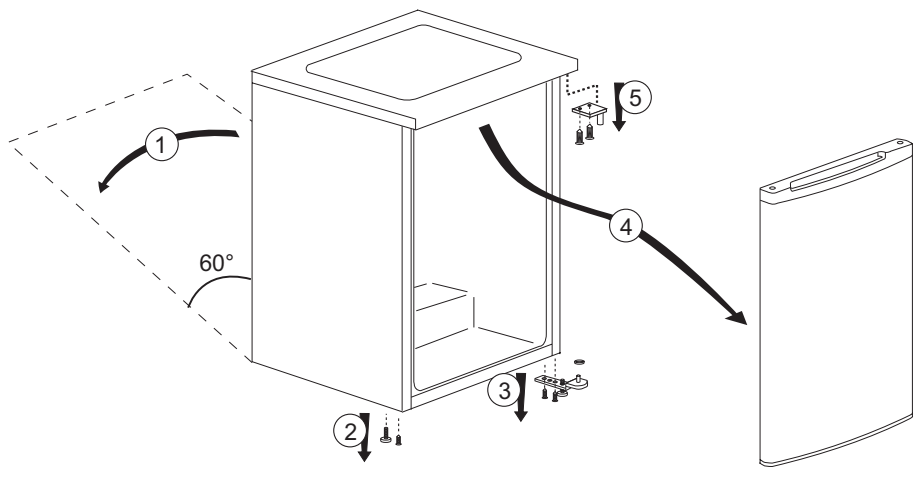
❗ إذا كنت بصدد تركيب ثلاجتين جنباً إلى جنب، فيجب المباشرة بينهما بمسافة 2 سم على الأقل.

❗ عند تشغيل الثلاجة للمرة الأولى، يُرجى مراعاة التعليمات التالية أثناء الساعات الستة الأولى.

- يجب عدم فتح الباب بصورة متكررة.
- يجب تشغيلها وهي خاوية بدون أي أطعمة داخلها.
- لا تنزع قابس التيار الكهربائي للثلاجة. إذا توقف التيار الكهربائي رغماً عنك، فيرجى قراءة التحذيرات الواردة في قسم "حلول مقترحة للمشكلات".

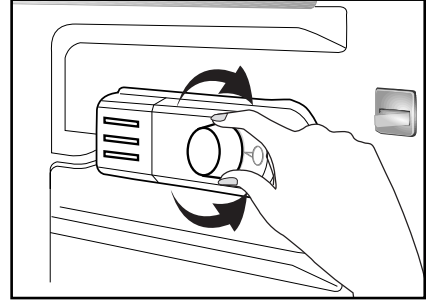
❗ يجب الحفاظ على العبوة الأصلية ومواد التغليف المصاحبة لأغراض النقل المستقبلي أو الانتقال.

عكس الأبواب
اتبع الترتيب الرقمي

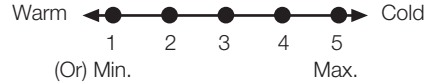


بعد إتمام إزالة الثلج، قم بتنظيف داخل الثلاجة. عندما تكون درجة الحرارة المحيطة أعلى من 30 درجة مئوية، قم بإزالة درج الصرف للحصول على أداء أفضل. للتبريد أعد توصيل الجهاز بالأجزاء الرئيسية. ضع الطعام المجمد في الأدراج ثم أدخل الأدراج في الفريزر.

التبريد



يتم تنظيم درجة حرارة التشغيل من خلال زر التحكم في درجة الحرارة.



1 = أقل ضبط تبريد (أعلى ضبط تدفئة)
5 = أعلى ضبط تبريد (أعلى ضبط تدفئة)

(أو)

الحد الأدنى = أقل ضبط تبريد

(أعلى ضبط تدفئة)

الحد الأقصى = أعلى ضبط تبريد

(أعلى ضبط تدفئة)

يجب أن يكون متوسط درجة الحرارة داخل الثلاجة نحو +5 درجة مئوية.

يرجى اختيار الضبط حسب درجة الحرارة المطلوبة.

يمكنك إيقاف تشغيل الجهاز عن طريق لف مقبض الترموستات إلى الموضع "0".

اترك الباب مفتوحاً أثناء إزالة الثلج.

لإزالة الثلج بسرعة، ضع إناءً به ماء دافئ في الجهاز.

لا تستخدم أبداً أجهزة كهربائية أو رزاز إزالة الثلج أو أدوات ذات شفرة أو حافة حادة مثل السكاكين أو الأشواك لإزالة الثلج.

تخزين الأغذية

يتم استخدام تجويف الثلاجة لتخزين الأغذية الطازجة والمشروبات لفترة قصيرة. قم بتخزين منتجات الألبان في التجويف المخصص لذلك بالثلاجة.

يمكن تخزين الزجاج في حاملة الزجاج أو لوح الزجاج الموجود بالباب.

يُفضل تخزين اللحم النيئ في كيس من البوليثلين في التجويف الذي يوجد في الجزء السفلي للثلاجة.

ينبغي تبريد الأغذية والمشروبات الساخنة في درجة حرارة الغرفة قبل وضعها في الثلاجة.

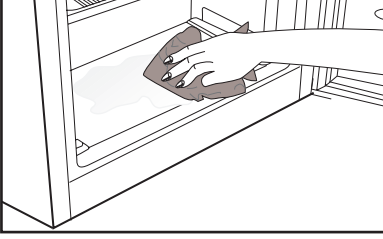
• تنبيه

قم بتخزين العصائر المركزة في الوعاء المحمول لأعلى والمغلق بإحكام فقط.

• تنبيه

لا تقم بتخزين مواد قابلة للانفجار أو عبوات تحتوي على غازات مضغوطة قابلة للاحتراق (عبوات الكريم وعبوات الإسبراي... الخ.) في الجهاز. هناك خطر انفجار.

إزالة الثلج عن الجهاز



يقوم تجويف الثلجة بفك التجميد تلقائيًا. تتدفق المياه الذائبة خلال قناة التصريف إلى وعاء تجميع في الجزء الخلفي من الجهاز.

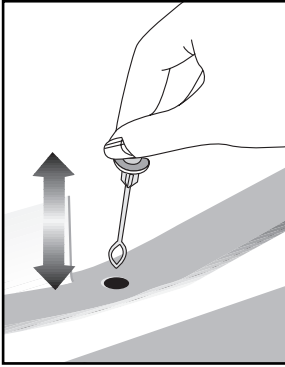
أثناء إزالة الثلج، تتكون قطرات المياه على الحائط الموجود خلف الثلجة نتيجة التبخر.

إذا لم تتسرب كل هذه القطرات إلى أسفل، فقد تتجمد

مرة أخرى بعد اكتمال إزالة الثلج. قم بإزالة هذه

القطرات باستخدام قطعة قماش ناعمة مبللة بالمياه

الدافئة. لا تستخدم الأشياء الصلبة أو الحادة.

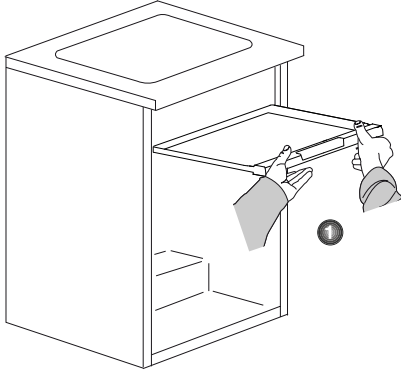


افحص تدفق المياه الذائبة بين الحين والآخر. قد

تتعرض للانسداد أحيانًا. قم بتنظيفها باستخدام منظم

الأنابيب أو الأدوات المشابهة.

يتم استخدام مرطب صينية التبخير على النحو المشار إليه أدناه للحفاظ على درجة الحرارة المرغوبة للمقصورة وفقاً لدرجة الحرارة المحيطة، مثل نمط الشتاء لدرجة حرارة محيطية باردة، ونمط الصيف لدرجة حرارة محيطية ساخنة.

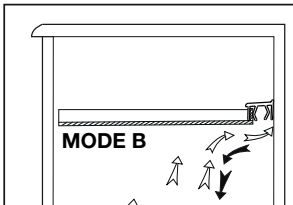
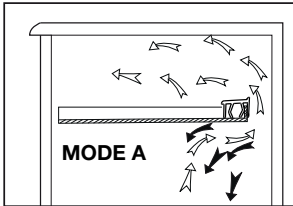
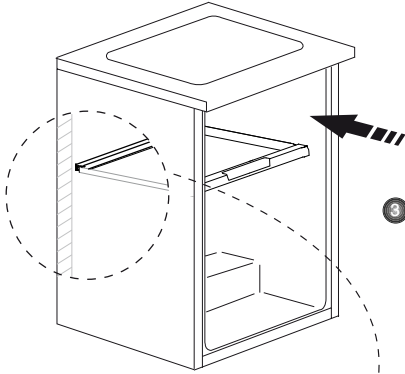
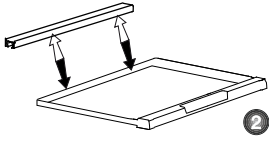


نمط الصيف (نمط A)

عند الحاجة لدرجة حرارة باردة في المقصورة.

نمط الشتاء (نمط B)

عند الحاجة لدرجة حرارة أكثر دفئاً في المقصورة.



⚠ لا تستخدم الجازولين أو البنزين أو أي مواد مشابهة لأغراض التنظيف.

⚠ نوصي بفصل الجهاز عن التيار الكهربائي قبل تنظيفه.

⚠ لا تستخدم أبداً أي مواد كاشطة أو صابون أو منظفات منزلية أو منظفات غسيل أو شمع التلميع عند التنظيف.

⚠ في غير المنتجات التي تمنع تكون الثلج (No Frost)، يتساقط الماء ويمكن أن يتراكم الثلج بمقدار يصل إلى عرض الإصبع على الجدار الخلفي الداخلي لصندوق الثلاجة. لا تنظفه، ولا تستعمل مطفأ النفت أو عوامل مماثلة عليه.

⚠ استخدم فقط قطعة قماش من الأنسجة دقيقة رطبة قليلاً لتنظيف السطح الخارجي للمنتج. قد يخدش الإسفنج والأنواع الأخرى من أقمشة التنظيف سطح المنتج.

ⓘ استخدم المياه الفاترة لتنظيف صندوق الثلاجة ثم امسحه ليجف.

ⓘ استخدم قطعة من القماش الملطوية والرطبة مع ملء ملعقة شاي من بيكربونات الصودا مضافة لجالون من الماء لتنظيف الداخل ثم يجفف.

ⓘ تأكد من عدم دخول المياه إلى مبيت المصباح وغيره من العناصر الكهربائية.

ⓘ إذا كانت الثلاجة لن تستعمل لفترة زمنية طويلة، فافصل كابل التيار الكهربائي ثم أفرغ جميع الأطعمة ثم نظفها واترك الباب مفتوح جزئياً.

ⓘ قم بفحص عوازل التبريد في الباب بانتظام للتأكد من سلامتها وخلوها من جزيئات الطعام.

ⓘ لإزالة أرفف الباب، أخرج جميع المحتويات ثم ادفع رف الباب لأعلى بعيداً عن القاعدة.

ⓘ لا تستخدم أبداً مواد التنظيف أو المياه التي تحتوي على الكلورين لتنظيف الأسطح الخارجية والأجزاء المطلية بالكروم من المنتج. فالكلورين يتسبب في تآكل هذه الأسطح المعدنية.

ⓘ لا تستخدم الأدوات الحادة والكاشطة أو الصابون، أو مواد التنظيف المنزلية، المنظفات، البنزين، الشمع، الخ، وإلا ستزول الأختام على الأجزاء البلاستيكية ويحدث تشوه. استخدم ماء فاتراً وقماشاً ناعمة للتنظيف والتجفيف.

حماية الأسطح البلاستيكية

ⓘ لا تضع زيوتاً سائلة أو وجبات مطبوخة بالزيت في الثلاجة في علب غير معزولة، إذ قد تتسبب في تلف الأسطح البلاستيكية للثلاجة. في حالة انسكاب زيت أو تسربه على الأسطح البلاستيكية، نظف هذا الجزء واشطفه فوراً بماء دافئ.

يرجى مراجعة هذه القائمة قبل الاتصال بمركز الخدمة. فقد يوفر عليك وقتاً ومالاً. تشمل هذه القائمة الشكاوى التي لم تنتج عن عيوب صناعة أو المواد المستخدمة. قد لا تتوافر بعض الميزات الواردة في هذا الدليل في المنتج الخاص بك.

الثلاجة لا تعمل.
<ul style="list-style-type: none"> هل الثلاجة متصلة بالتيار الكهربائي؟ توصيل القابس بمنفذ الكهرباء بالحائط. هل احترق منصهر القابس المتصلة به الثلاجة أو المنصهر الرئيسي؟ افحص المنصهر.
تكثف في جانب صندوق الثلاجة (المنطقة المتعددة، التحكم في التبريد، والمنطقة المرنة).
<ul style="list-style-type: none"> الظروف المحيطة باردة جداً. فتح الأبواب وعلقها بشكل متكرر. الظروف المحيطة عالية الرطوبة. تخزين طعام يحتوي على سائل في أوعية مفتوحة. ترك الباب مفتوح جزئياً. تغيير وضع الترموستات إلى الدرجة أكثر برودة. تقليل الوقت الذي ترك الباب فيه مفتوحاً أو استخدامه بصورة أقل. تغطية الطعام المخزن في حاويات مفتوحة بمادة مناسبة. مسح التكثف بقطعة قماش جافة والتحقق من بقائه.
جهاز ضغط الهواء لا يعمل
<ul style="list-style-type: none"> سينصهر العازل الحراري لجهاز ضغط الهواء أثناء الانقطاع المفاجئ للتيار الكهربائي أو توصيل قابس الثلاجة بالتيار الكهربائي أو فصله. لأن ضغط الثلاجة في نظام تبريد الثلاجة لم يتوازن بعد. ستبدأ الثلاجة في العمل بعد 6 دقائق تقريباً. يُرجى الاتصال بمركز الصيانة إذا لم تبدأ الثلاجة في العمل بعد انتهاء هذه المدة. الثلاجة في دورة إزالة الثلج. هذا أمر عادي لكل الثلاجات الأوتوماتيكية التي تزيل الثلج. تحدث عملية إزالة الثلج دوريًا. الثلاجة غير متصلة بالقابس. تأكد أن القابس موضوع بإحكام في المقبس. هل تم ضبط درجة الحرارة بشكل صحيح؟ قد يكون التيار مقطوعاً.
تعمل الثلاجة بصورة متكررة أو لوقت طويل.
<ul style="list-style-type: none"> قد تكون الثلاجة الجديدة أعرض من القديمة. هذا شيء طبيعي تماماً. الثلاجات الكبيرة تعمل لفترات أطول. قد تكون درجة حرارة المكان مرتفعة. هذا شيء طبيعي تماماً. الثلاجة متصلة بالكهرباء منذ قليل أو مليئة بالطعام. قد يستمر تبريد الثلاجة كلية لساعات أطول. قد تكون هناك كميات كبيرة من الطعام الساخن تم وضعها في الثلاجة مؤخراً. يتسبب الطعام الساخن في تشغيل الثلاجة حتى يصل إلى درجة حرارة التخزين الآمنة. قد تكون الأبواب مفتوحة بصورة متكررة أو مفتوحة جزئياً لفترة طويلة. يتسبب الهواء الساخن الذي دخل الثلاجة في تشغيل الثلاجة لفترة أطول. افتح الأبواب عدداً أقل من المرات. قد يكون باب صندوق الفريزر أو الثلاجة مفتوح جزئياً. تأكد أن الأبواب مغلقة تماماً. تم ضبط الثلاجة على درجة باردة جداً. اضبط درجة حرارة الفريزر على درجة أعلى وانتظر حتى تصل إلى درجة الحرارة المطلوبة. قد يكون عازل باب الثلاجة أو الفريزر متسخاً أو بالياً أو مهتكاً أو مثبت بطريقة غير صحيحة. نظف العازل أو استبدله. لأن العازل التالف أو المهتك يتسبب في أن تعمل الثلاجة لفترات أطول للحفاظ على درجة الحرارة الحالية.

درجة حرارة الفريزر منخفضة جداً بينما درجة حرارة الثلاجة غير كافية.
• تم ضبط الفريزر على درجة باردة جداً. اضبط درجة حرارة الفريزر على درجة أعلى ثم تأكد ثانية.
درجة حرارة الثلاجة منخفضة جداً بينما درجة حرارة الفريزر غير كافية.
• تم ضبط درجة حرارة الثلاجة على درجة منخفضة للغاية. اضبط درجة حرارة الثلاجة على درجة أعلى ثم تحقق ثانية.
تجمد الطعام المحفوظ في أدراج صندوق الثلاجة.
• تم ضبط درجة حرارة الثلاجة على درجة منخفضة للغاية. اضبط درجة حرارة الثلاجة على درجة أعلى ثم تحقق ثانية.
درجة حرارة الثلاجة أو الفريزر عالية جداً.
• تم ضبط درجة حرارة الثلاجة على درجة عالية للغاية. يؤثر ضبط الثلاجة على درجة حرارة الفريزر. غير درجة حرارة الثلاجة أو الفريزر حتى تصل إلى مستوى مناسب.
• قد تكون الأبواب مفتوحة بصورة متكررة أو مفتوحة جزئياً لفترة طويلة. قم بفتحها بصورة أقل تكراراً.
• قد يكون الباب قد ترك مفتوحاً بشكل جزئي. أغلق الباب تماماً.
• قد تكون هناك كميات كبيرة من الطعام الساخن تم وضعها في الثلاجة مؤخراً. انتظر حتى تصل الثلاجة أو الفريزر إلى درجة الحرارة المطلوبة.
• تم توصيل الثلاجة بالكهرباء منذ قليل. فتبريد الثلاجة تماماً يستغرق وقتاً.
ترتفع ضوضاء التشغيل عند تشغيل الثلاجة.
• قد يتغير أداء الثلاجة تبعاً للتغيرات في درجة الحرارة المحيطة بالثلاجة. وهذا طبيعي ولا يعد ذلك عيباً.
اهتزازات أو ضوضاء.
• الأرض ليست مستوية أو ليست صلبة. تهتز الثلاجة عند تحريكها ببطء. تأكد من أن الأرض قوية بما يكفي لتتحمل الثلاجة ومستوية.
• قد يصدر صوت من الأشياء الموضوعة على الثلاجة ينبغي إزالة الأشياء الموجودة أعلى الثلاجة.
توجد ضوضاء صادرة من الثلاجة مثل صوت انسكاب سائل أو تناثره.
• تنساب السوائل والغازات وفقاً لقواعد تشغيل الثلاجة. وهذا طبيعي ولا يعد ذلك عيباً.
تحدث ضوضاء شبيهة بصفير الرياح.
• تستخدم المراوح لتبريد الثلاجة. وهذا طبيعي ولا يعد ذلك عيباً.
تكاثر في الحوائط الداخلية للثلاجة.
• يزيد الطقس الحار والرطب من التلحيج والتكاثر. وهذا طبيعي ولا يعد ذلك عيباً.
• قد تكون الأبواب قد تركت مفتوحة جزئياً. تأكد من أن الأبواب مغلقة بالكامل.
• قد تكون الأبواب مفتوحة بصورة متكررة أو مفتوحة جزئياً لفترة طويلة. قم بفتحها بصورة أقل تكراراً.
تحدث الرطوبة في الإطار الخارجي للثلاجة أو بين الأبواب.
• قد تكون هناك رطوبة في الهواء وهذا طبيعياً في الجو الرطب. وعندما تكون الرطوبة أقل: يختفي التكثف.
توجد رائحة كريهة داخل الثلاجة.

<ul style="list-style-type: none"> • يجب تنظيف الجزء الداخلي من الثلاجة. نظف داخل الثلاجة بقطعة أسفنجية وماء دافئ أو ماء مكربن. • قد تتسبب بعض الأوعية أو مواد التعبئة في هذه الرائحة. استخدم وعاء مختلف أو مواد تعبئة مختلفة.
الباب لا يغلق.
<ul style="list-style-type: none"> • عبوات الطعام قد تمنع إغلاق الباب. غير وضع عبوات الطعام التي تعيق الباب. • الثلاجة لا تستقيم تماماً على الأرض واهتزت عند تحريكها قليلاً. اضبط مسامير الارتفاع. • الأرض ليست مستوية أو قوية. تأكد من أن الأرض مستوية وتحمل الثلاجة.
الأدراج عالقة.
<ul style="list-style-type: none"> • قد يكون الطعام ملامساً لسقف الدرج. أعد ترتيب الطعام في الدرج.

Ju lutem lexoni këtë manual më parë.

I nderuar klient,

Shpresojmë që produkti juaj, i cili është prodhuar në fabrika moderne dhe është kontrolluar nën procedurat më të rrepta të kontrollit të cilësisë, do t'ju ofrojë një shërbim të efektshëm.

Prandaj, lexoni të gjithë këtë manual me kujdes para se ta përdorni këtë produkt dhe ruajeni si referencë. Nëse ia dorëzoni produktin dikujt tjetër, jepini gjithashtu edhe këtë manual.

Manuali i përdoruesit do t'ju ndihmojë ta përdorni produktin shpejt dhe në mënyrë të sigurt.

- Lexoni manualin para se të instaloni dhe përdorni produktin.
- Sigurohuni që t'i lexoni udhëzimet e sigurisë.
- Mbajeni manualin në një vend që ta arrini merrni me lehtësi pasi mund t'ju duhet më vonë.
- Lexoni dokumentet e tjera të dhëna me produktin.

Mos harroni që ky manual përdoruesi vlen gjithashtu edhe për disa modele të tjera. Ndryshimet midis modeleve do të tregohen në manual.

Shpjegim i simboleve

Gjatë këtij manuali përdoruesi janë përdorur simbolet e mëposhtme:

 Informacione të rëndësishme ose këshilla të dobishme.

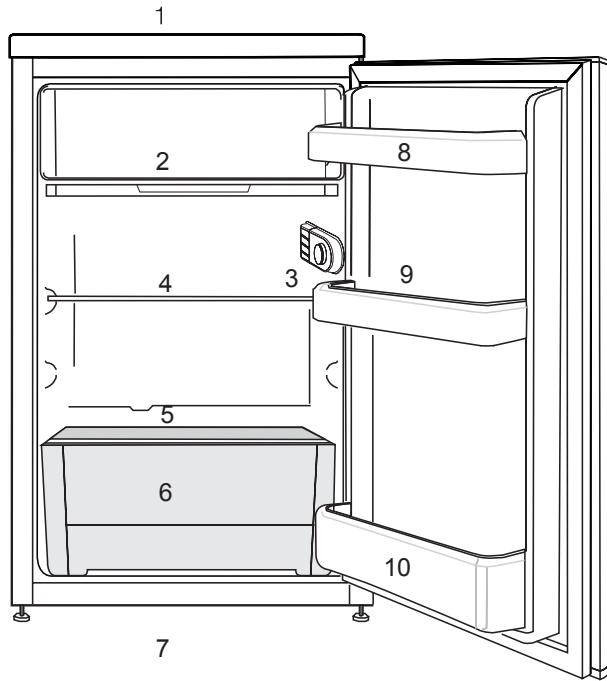
 Paralajmërim kundrejt situatave të rrezikshme për jetën dhe pronën.

 Paralajmërim kundrejt tensionit elektrik.

PËRMBAJTJA

1 Frigoriferi juaj	4	4 Përgatitja	16
2 Paralajmërimi të Rëndësishme Sigurie	5	Kthimi i dyerve.....	17
Përdorimi i synuar	5	5 Përdorimi i frigoriferit tuaj	18
Siguria e përgjithshme	6	Shkrirja e pajisjes.....	18
Për produktet me dispenser uji;	10	Ftohje	19
Siguria për fëmijët.....	11	Vendosja e ushqimit.....	19
Pajtueshmëria me Direktivën WEEE dhe Hedhjen e Produkteve		6 Mirëmbajtja dhe pastrimi	21
Mbeturina:	11	Mbrojtja e sipërfaqeve plastike	21
Informacione të paketimit	12	7 Zgjidhja e problemeve	22
Paralajmërim HC.....	12		
Gjërat që mund të bëhen për kursimin e energjisë.....	12		
3 Instalimi	13		
Pikat të cilave u duhen kushtuar vëmendje kur zhvendosni frigoriferin	13		
Para se ta vini frigoriferin në punë, .	13		
Lidhja elektrike	13		
Hedhja e paketimit	14		
Hedhja e frigoriferit të vjetër	14		
Vendosja dhe Instalimi	14		
Rregullimi i këmbëve	15		
Ndërrimi i llambës së ndriçimit	15		

1 Frigoriferi juaj



1. Pjesa e sipërme
2. Tabakaja e shkarkimit
3. Drita e brendshme & Çelësi i termostatit
4. Raft i lëvizshëm
5. Krisper cover
6. Krisper
7. Këmbët e para të rregullueshme
8. Raftet e derës
9. Tabakaja e vezëve
10. Rafti i shisheve

I Figurat që ndodhen në këtë manual janë skematike dhe mund të mos korrespondojnë saktësisht me produktin tuaj. Nëse pjesët e subjektit nuk janë përfshirë në produktin që keni blerë, atëherë është vlejné për modele të tjera.

2 Paralajmërimet të Rëndësishme Sigurie

Ju lutem shikoni informacionet e mëposhtme. Nëse nuk i përmbaheni këtyre informacioneve mund të shkaktohen lëndime ose dëmtime materiale. Përndryshe, të gjitha angazhimet e garancisë dhe besueshmërisë do të bëhen të pavlefshme.

Pjesët origjinale të ndërrimit do të ofrohen për 10 vite, pas datës së blerjes së produktit.

Përdorimi i synuar

⚠	<p>PARALAJMËRIM: Mbajini të hapura dhe të lira nga pengesat vrimat e ajrimit, në kasën e pajisjes si dhe në strukturën e integruar.</p>
---	--

⚠	<p>PARALAJMËRIM: Mos përdorni pajisje mekanike ose mjete të tjera për të përshpejtuar procesin e shkrirjes, përveç atyre që rekomandohen nga prodhuesi.</p>
⚠	<p>PARALAJMËRIM: Mos e dëmtoni qarkun e lëngut ftohës.</p>
⚠	<p>PARALAJMËRIM: Mos përdorni pajisje elektrike brenda ndarjeve të ushqimeve në pajisje, përveçse kur janë të tipit të rekomanduar nga prodhuesi.</p>
⚠	<p>KUJDES! Mos mbani substancat shpërthyes si kanaçe aerosoli me gaz shtytës brenda kësaj pajisjeje.</p>

Kjo pajisje është projektuar për përdorim familjar dhe në aktivitete të ngjashme, si p.sh.

- zona të kuzhinës së personelit në dyqane, zyra e ambiente të tjera pune;

- shtëpi në fermë dhe nga klientët në hotele, motele dhe ambiente të tjera banimi;

Siguria e përgjithshme

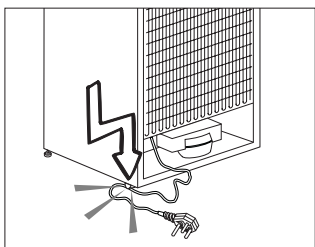
- Kur doni ta hidhni/flakni produktin, rekomandojmë që të konsultoheni me shërbimin e autorizuar me qëllim që të mësoni informacionet që duhen dhe organet e autorizuar.
- Konsultohuni me shërbimin e autorizuar për të gjitha pyetjet dhe problemet që lidhen me frigoriferin tuaj. Mos ndërhyjni ose mos lejoni asnjë që të ndërhyjë në frigorifer pa njoftuar shërbimet e autorizuar.

- Për produktet me një ndarje ngrirësi; Mos hani kone akulloresh dhe kuba akulli menjëherë pasi i keni nxjerrë nga ndarja e ngrirësit! (Kjo mund të shkaktojë kafshim ngrice në gojë.)
- Për produktet me ndarje ngrirësi; Mos vendosni pije në shishe dhe kanaçe në ndarjen e ngrirësit. Përndryshe ato mund të çahen.
- Mos i prekni ushqimet e ngrira me dorë; ato mund t'ju ngjiten në dorë.
- Hiqeni frigoriferin nga priza para se ta pastroni ose shkrini.
- Avulli dhe materialet e pastrimit që avullojnë nuk duhet të përdoren asnjëherë në pastrim dhe proceset e shkrirjes të frigoriferit. Në këto raste, avulli mund të bjerë në kontakt me pjesët elektrike dhe të shkaktojë qark të

- shkurtër ose goditje elektrike.
- Mos e përdorni asnjëherë si mjet për t'u mbështetur ose si shkallë derën ose pjesët e frigoriferit.
 - Mos përdorni pajisje elektrike brenda frigoriferit.
 - Mos i dëmtoni pjesët, ku qarkullon lëngu ftohës, me mjete shpimi ose prerjeje. Lëngu ftohës që mund të dalë kur shpohen kanalet e evaporatorit, zgjatimeve të tubit ose shtresave të sipërfaqes shkakton irritime në lëkurë dhe dëmtime në sy.
 - Mos i mbuloni ose bllokoni vrimat e ventilimit në frigorifer me asnjë lloj materiali.
 - Pajisjet elektrike duhet të riparohen vetëm nga persona të autorizuar. Riparimet e bëra nga persona jo kompetentë krijojnë rreziqe për përdoruesin.
 - Në rast të ndonjë defekti ose gjatë një pune mirëmbajtjeje ose riparimi, shkëputeni frigoriferin nga korrenti qoftë duke fikur siguresën përkatëse ose duke e hequr pajisjen nga priza.
 - Mos e tërhiqni kabllin kur tërhiqni spinën.
 - Vendosini pijet e larta të mbyllura fort dhe në pozicion vertikal.
 - Sigurohuni që pijet alkoolike të forta të mbahen të siguruara me tapë të mbyllur dhe të vendosen në pozicion vertikal.
 - Mos përdorni pajisje mekanike ose mjete të tjera për të përsheptuar procesin e shkrirjes, përveç atyre të rekomanduara nga prodhuesi.
 - Ky produkt nuk është synuar të përdoret nga persona me çrregullime fizike, ndjesore ose mendore apo nga njerëz

- që nuk janë mësuar ose pa përvojë (përfshirë fëmijët) përveç nëse mbikëqyren nga një person i cili do të jetë përgjegjës për sigurinë e tyre ose që do t'i udhëzojë mirë për përdorimin e produktit.
- Mos e vini në punë një frigorifer të dëmtuar. Konsultohuni me agjentin e shërbimit nëse keni ndonjë merak.
 - Siguria elektrike e frigoriferit tuaj do të garantohet vetëm nëse sistemi i tokëzimit në shtëpinë tuaj përputhet me standardet.
 - Ekspozimi ndaj shiut, borës, diellit dhe erës është i rrezikshëm në lidhje me sigurinë elektrike.
 - Kontaktoni shërbimin e autorizuar kur ka një dëmtim të kabllit të energjisë për të shmangur rrezikun.
 - Asnjëherë mos e vini frigoriferin në prizë gjatë instalimit. Përndryshe, mund të shkaktohet vdekje ose lëndime serioze.
 - Ky frigorifer është synuar vetëm për të mbajtur ushqime. Nuk duhet të përdoret për asnjë qëllim tjetër.
 - Etiketa e të dhënave teknike ndodhet në murin e majtë brenda frigoriferit.
 - Asnjëherë mos e lidhni frigoriferin me sistemet e kursimit të energjisë; ato mund ta dëmtojnë frigoriferin.
 - Nëse ka një dritë blu mbi frigorifer, mos e shikoni dritën blu me mjete optike.
 - Për frigoriferët me kontroll manual, prisni të paktën 5 minuta para se ta vini frigoriferin në punë pas një ndërperje energjie.
 - Ky manual përdorimi duhet t'i jepet pronarit të ri të produktit kur i jepet të tjerëve.

- Bëni kujdes të mos e dëmtoni kabllin e energjisë kur transportoni frigoriferin. Përkulja e kabllit mund të shkaktojë zjarr. Mos vendosni objekte të rënda mbi kabllin e energjisë.
- Mos e preni spinën me duar të lagura kur e hiqni produktin nga priza.



- Mos e vendosni frigoriferin nëse priza në mur është e lirë.
- Nuk duhet të spërkatet ujë në pjesët e brendshme ose të jashtme të produktit për arsye sigurie.
- Mos spërkatni substanca që përmbajnë gazra të djegshme si për

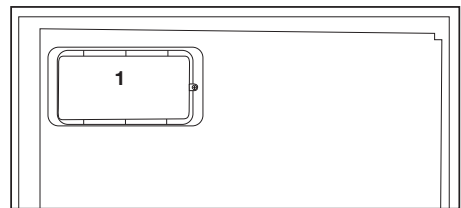
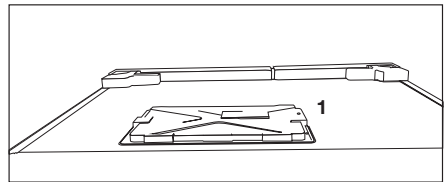
shembull gaz propan pranë frigoriferit për të shmangur rrezikun e zjarrit dhe shpërthimit.

- Mos vendosni asnjëherë enë të mbushura me ujë mbi frigorifer; në rast spërkatjesh kjo mund të shkaktojë goditje elektrike ose zjarr.
- Mos e mbingarkoni frigoriferin me ushqime. Nëse ngarkohet tepër, ushqimet mund të bien dhe t'ju lëndojnë dhe të dëmtojnë frigoriferin kur hapni derën.
- Mos vendosni asnjëherë objekte mbi frigorifer; përndryshe, këto objekte mund të bien kur hapni ose mbyllni derën e frigoriferit.
- Meqenëse kërkojnë një temperaturë shumë të saktë, vaksinat, ilaçet të ndjeshme ndaj nxehtësisë dhe materialet shkencore, etj. nuk duhet të mbahen në frigorifer.
- Nëse nuk do të përdoret

frigoriferi duhet të hiqet nga priza. Një problem i mundshëm në kabllin e energjisë mund të shkaktojë zjarr.

- Frigoriferi mund të lëvizë nëse këmbët e rregullueshme nuk janë siguruar mirë mbi dysheme. Sigurimi mirë i këmbëve të rregullueshme mbi dysheme mund të mos lejojë që frigoriferi të lëvizë.
- Kur lëvizni frigoriferin, mos e kapni nga doreza e derës. Përndryshe, mund të thyhet.
- Kur duhet ta lëvizni produktin pas një frigoriferi ose ngrirësi tjetër, distanca midis pajisjeve duhet të jetë të paktën 8 cm. Përndryshe, muret anësore pranë mund të krijojnë lagështi.
- Produkti nuk duhet të përdoret asnjëherë ndërkohë që ndarja

që ndodhet sipër ose prapa produktit dhe në të cilin ndodhen qarqet elektronike (kapaku i kutisë të qarkut elektrik) (1) është i hapur.



Për produktet me dispenser uji;

- Presioni nga vendi i hyrjes së ujit të ftohtë duhet të jetë maksimumi 90 psi (6,2 bar). Nëse presioni i ujit e kalon 80 psi (5,5 bar), përdorni një valvulë kufizuese të presionit në sistemin tuaj kryesor. Nëse nuk dini se si ta kontrolloni

presionin e ujit, kërkoni ndihmën e një hidrauliku profesionist.

- Nëse ekziston rreziku i efektit të goditjes çekiç nga uji në instalimin tuaj, përdorni gjithmonë një pajisje për parandalimin e këtij efekti në instalimin tuaj. Këshillohuni me një hidraulik profesionist nëse nuk jeni të sigurt se nuk ka një efekt të goditjes çekiç nga uji në instalimin tuaj.
- Mos e instaloni te vendi i hyrjes së ujit të nxehtë. Tregoni kujdes ndaj rrezikut të ngrirjes së tubave. Intervali operativ i temperaturave të ujit duhet të jetë minimumi 0,6°C (33°F) dhe maksimumi 38°C (100°F).
- Përdorni vetëm ujë të pijshëm.

Siguria për fëmijët

- Nëse dera ka një kyç, çelësi duhet të mbahet larg fëmijëve.
- Fëmijët duhet të mbikëqyren për të mos lejuar që të ngacmojnë produktin.

Pajtueshmëria me Direktivën WEEE dhe Hedhjen e Produkteve Mbeturina:



Ky produkt i përmbahet Direktivës EU WEEE (2012/19/EU). Ky produkt mbart simbolin e klasifikimit për pajisjet mbeturina elektrike dhe elektronike (WEEE).

Ky produkt është prodhuar me pjesë dhe materiale të cilësisë të lartë të cilat mund të ripërdoren dhe janë të përshtatshme për riciklim. Prandaj, mos e hidhni produktin së bashku me mbeturinat e zakonshme të shtëpisë në fund të jetëgjatësisë së tij. Çojeni në një pikë grumbullimi për riciklimin e pajisjeve elektrike dhe elektronike. Ju lutem konsultohuni me autoritetet lokale për të mësuar pikën më të afërt të grumbullimit. Ndihmoni në mbrojtjen e mjedisit dhe burimeve natyrore duke i ricikluar produktet e përdorura. Për sigurinë e fëmijëve, priteni kabllin e energjisë dhe thyejeni mekanizmin e kyçjes të derës, nëse ka, kështu do të jetë jo-funksional para se ta hidhni produktin.

Informacione të paketimit

Materialet e paketimit të produktit janë prodhuar nga materiale të riciklueshme në përputhje me Rregullat Kombëtare për Mjedisin. Mos i hidhni materialet e paketimit së bashku me mbeturinat e tjera ose ato shtëpiake. Çojini në pikat e grumbullimit të materialeve të paketimit të caktuara nga autoritetet lokale.

Mos harroni...

Çdo substancë e ricikluar është një çështje e domosdoshme për natyrën dhe pasuritë tona kombëtare.

Nëse doni të kontribuoni në rivlerësimin e materialeve të paketimit, mund të konsultoheni me organizatat ambientaliste ose komunat kundodhëni.

Paralajmërim HC

Nëse sistemi i ftohjes të produktit tuaj përmban R600a:

Ky gaz është i djegshëm. Prandaj, bëni kujdes të mos dëmtoni sistemin e ftohjes dhe tubacionet gjatë përdorimit dhe transportit. Në rast dëmtimi, mbajeni produktin larg nga substancat e dëmshme të zjarrit të cilat mund të bëjnë që këto produkte të marrin zjarr dhe ajroseni dhomën në të cilën është vendosur njësia.

Injoroni këtë paralajmërim nëse sistemi i ftohjes të produktit tuaj përmban R134a.

Lloji i gazit i përdorur në produkt është treguar në etiketën e tipit e cila ndodhet në murin e majtë brenda frigoriferit.

Asnjëherë mos e hidhni produktin në zjarr për ta hedhur.

Gjërat që mund të bëhen për kursimin e energjisë

- Mos i lini dyert e frigoriferit të hapura për një kohë të gjatë.
- Mos vendosni ushqime ose pije të nxehta brenda frigoriferit.
- Mos e mbingarkoni frigoriferin në mënyrë që të mos pengohet qarkullimi i ajrit brenda frigoriferit.
- Mos e instaloni frigoriferin nën dritën direkte të diellit ose pranë pajisjeve që çlirojnë nxehtësi si për shembull furrat, lavastoviljet ose radiatorët. Mbajeni frigoriferin të paktën 30cm larg burimeve që lëshojnë nxehtësi dhe të paktën 5cm nga furrat elektrike.
- Bëni kujdes që ta mbani ushqimin në enë të mbyllura.
- Për produktet me një ndarje ngrirësi; Mund të mbani më shumë ushqime në ngrirës kur e hiqni raftin ose sirtarin e ngrirësit. Vlera e konsumit të energjisë e treguar për frigoriferin tuaj është përcaktuar duke hequr raftin ose sirtarin e ngrirësit dhe nën ngarkesë maksimale. Nuk ka asnjë problem të përdorni një raft ose sirtar sipas formave dhe madhësisë që ushqimeve që do të ngrihen.
- Shkrirja e ushqimeve në ndarjen e frigoriferit do të sigurojë kursim energjie dhe do të ruajë cilësinë e ushqimit.

3 Instalimi

⚠ Në rastin se nuk merren parasysh informacionet që janë dhënë në këtë manual përdoruesi, prodhuesi nuk do të mbajë asnjë përgjegjësi për këtë.

Pikat të cilave u duhen kushtuar vëmendje kur zhvendosni frigoriferin

1. Frigoriferi duhet të hiqet nga prizat. Para transportit të frigoriferit, ai duhet të zbrazet dhe të pastrohet.

2. Para se të ripakëtohet, raftet, aksesoret, krisperi, etj. brenda frigoriferit duhet të fiksohen me ngjitës dhe të sigurohen nga goditjet. Paketimi duhet të lidhet me një ngjitës të trashë ose litarë të shtrënguar dhe duhet të zbatohen me përpikëri rregullat e transportit mbi paketim.

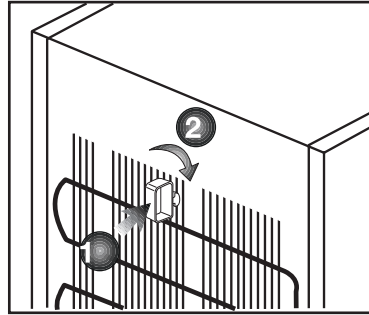
3. Paketimi dhe materialet e shumës origjinale duhet të ruhen për transport ose lëvizje në të ardhmen.

Para se ta vini frigoriferin në punë,

Kontrolloni të mëposhtmet para se ta vini në punë se përdorni frigoriferin tuaj:

1. Ngjitni 2 pyka plastike siç tregohet në figurë më poshtë. Pykat plastike janë synuar për të mbajtur distancën që do të garantojë qarkullimin e ajrit midis frigoriferit dhe murit. (Figura është vizatuar vetëm si prezantim dhe nuk është identike me produktin tuaj.)

2. Pastrojini pjesën e brendshme të frigoriferit siç rekomandohet në pjesën "Mirëmbajtja dhe pastrimi".



3. Futeni spinën e frigoriferit në prizën në mur. Kur hapet dera e frigoriferit, llamba e brendshme do të ndizet.

4. Kur fillon të punojë kompresori, do të dëgjohet një tingull. Lëngu dhe gazrat e izoluar brenda sistemit të ftohjes mund të krijojnë zhurma, edhe nëse kompresori nuk është në punë dhe kjo është normale.

5. Anët e para të frigoriferit mund të ndihen të ngrohta. Kjo është normale. Këto zona janë bërë posaçërisht që të jenë të ngrohta për të shmangur kondensimin.

Lidhja elektrike

Lidheni produktin tuaj me një prizë të tokëzuar e cila mbrohet nga një siguresë me kapacitetin e duhur. E rëndësishme:

Lidhja duhet të jetë në përputhje me rregullat kombëtare.

- Spina e korrentit duhet të jetë e arritshme me lehtësi pas instalimit.
- Siguria elektrike e frigoriferit tuaj do të garantohet vetëm nëse sistemi i tokëzimit në shtëpinë tuaj përputhet me standardet.

- Tensioni që tregohet në etiketën që ndodhet në anën e brendshme të produktit tuaj duhet të jetë e njëjtë me tensionin e rrjetit.
- **Nuk duhet të përdoren kablo zgjatimi dhe multi spina për lidhjen.**

⚠ Një dëmtim në kabllin e energjisë duhet të ndërrohet nga një elektrikist i kualifikuar.

⚠ Produktet nuk duhet të vihen në punë para se të riparohen! Ekziston rreziku i goditjes elektrike!

Hedhja e paketimit

Materialet e paketimit mund të jenë të rrezikshme për fëmijët. Mbajini materialet e paketimit larg fëmijëve ose hidhini duke i klasifikuar sipas udhëzimeve për mbeturinat të treguara nga autoritetet vendase. Mos i hidhni së bashku me mbeturinat e zakonshme shtëpiake, hidhini në pikat e caktuara nga autoritetet vendase.

Paketimi i frigoriferit tuaj është prodhuar prej materialesh të riciklueshme.

Hedhja e frigoriferit të vjetër

Hidhni frigoriferin tuaj të vjetër pa dëmtuar mjedisin.

- Mund të konsultoheni me shitësin e autorizuar ose qendrën e grumbullimit të mbeturinave të bashkisë tuaj për hedhjen e frigoriferit.

Para se ta hidhni frigoriferin, pritëni spinën elektrike dhe, nëse ka ndonjë kyç në derë, bëjini të papërdorshme me qëllim që të mbroni fëmijët nga ndonjë rrezik.

Vendosja dhe Instalimi

⚠ Nëse dera e hyrjes të dhomës ku do të instalohet frigoriferi nuk është e gjerë mjaftueshëm që të kalojë frigoriferi, atëherë thërrisni shërbimin e autorizuar që ata të heqin dyert e frigoriferit dhe kalojeni anash përmes derës.

1. Montojeni frigoriferin në një vend që përdoret me lehtësi.

2. Mbajeni frigoriferin larg burimeve të nxehtësisë, vendeve të lagështa dhe dritës direkte të diellit.

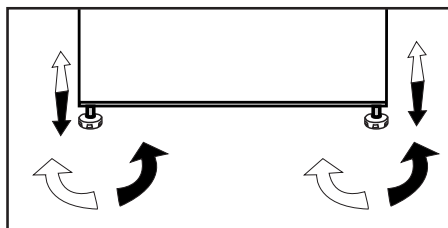
3. Duhet të ketë ventilim të mjaftueshëm me qëllim që frigoriferi të punojë me efektshmëri. Nëse frigoriferi do të vendoset në një pjesë të futur në mur, duhet të ketë një distancë të paktën 5 cm nga tavanit dhe të paktën 5 cm nga muri. Mos e vendosni produktin tuaj mbi materiale si për shembull tapet ose qilim.

4. Vendoseni frigoriferin mbi një sipërfaqe të sheshtë për të parandaluar lëkundjet.

Rregullimi i këmbëve

Nëse frigoriferi juaj nuk është në nivel;

Mund ta vendosni frigoriferin në nivel duke rrotulluar këmbët e para siç tregohet në figurë. Cepi ku ndodhet këmba ulet kur e rrotulloni në drejtim të shigjetës të zezë dhe ngrihet kur e rrotulloni në drejtim të kundërt. Marrja e ndihmës nga dikush për ta ngritur pak frigoriferin do ta bëjë më të lehtë këtë proces.



Ndërrimi i llambës së ndriçimit

Për të ndërruar llambën/dritën LED që përdoret për ndriçimin e frigoriferit, telefononi Shërbimin e autorizuar.

Llamba(t) e përdorur në këtë pajisje nuk është e përshtatshme për ndriçimin e dhomave të shtëpisë. Qëllimi i kësaj llambe është të ndihmojë përdoruesin të vendosë ushqime në frigorifer/ngjirës në një mënyrë të sigurt dhe të lehtë.

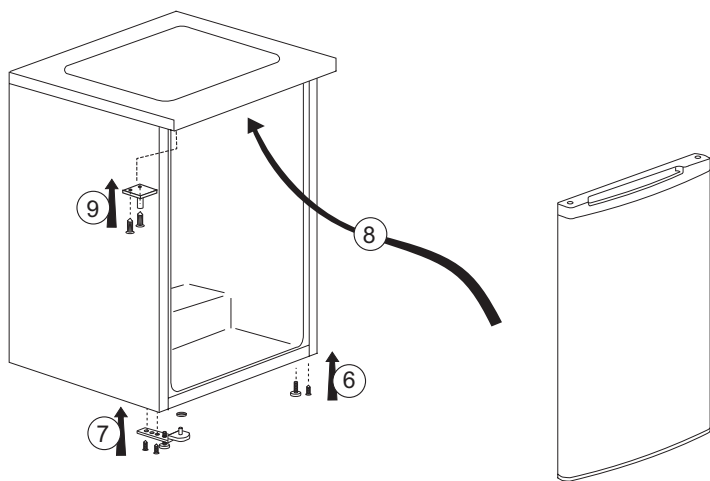
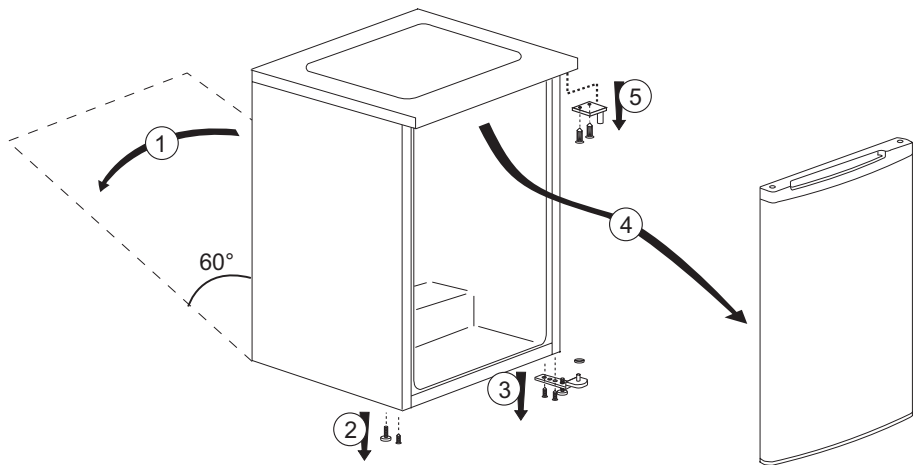
Llambat e përdorura në këtë pajisje duhet t'i rezistojnë kushteve fizike ekstreme si temperaturat nën -20°C .

4 Përgatitja

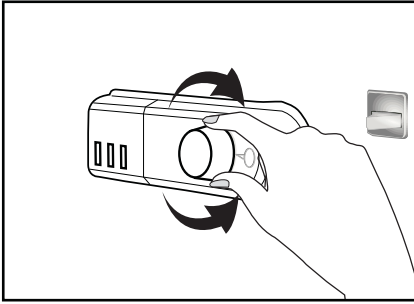
- i** Frigoriferi juaj duhet të montohet të paktën 30 cm larg burimeve të nxehtësisë si sobat, furrat, ngrohjet qendrore dhe stofat dhe të paktën 5 cm larg nga furrat elektrike dhe nuk duhet të vendoset nën dritën direkte të diellit.
- i** Temperatura e ambientit të dhomës ku instaloni frigoriferin duhet të jetë të paktën 5°C. Përdorimi i frigoriferit në kushte më të ftohta nuk rekomandohet për sa i përket efikasitetit të tij.
- i** Ju lutem sigurohuni që pjesa e brendshme e frigorifeirt të pastrohet plotësisht.
- i** Nëse do të montohen dy frigoriferë njëri pas tjetrit, duhet të ketë një distancë të paktën 2 cm midis tyre.
- i** Kur e vini frigoriferin në punë për herë të parë, ju lutem përmbajuni udhëzimeve të mëposhtme gjatë gjashtë orëve të para.
 - Dera nuk duhet të hapet shpesh.
 - Duhet të vihet në punë bosh pa ushqime në të.
 - Mos e hiqni frigoriferin nga spina. Nëse ndodh një ndërprerje energjie që nuk e keni ju në dorë, ju lutem shikoni paralajmërimet në pjesën "Zgjidhjet e rekomanduara për problemet".
- i** Paketimi dhe materialet e shumës origjinale duhet të ruhen për transport ose lëvizje në të ardhmen.

Kthimi i dyerve

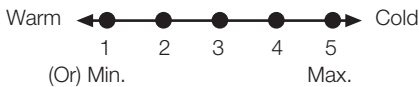
Veproni në rend numerik,



5 Përdorimi i frigoriferit tuaj



Temperatura e punimit rregullohet nga kontrolli i temperaturës.



1 = Konfigurimi më i ulët i ftohjes (Konfigurimi më i ngrohtë)

5 = Konfigurimi më i lartë i ftohjes (Konfigurimi më i ftohtë)

(Ose)

Min. = Konfigurimi më i ulët i ftohjes

(Konfigurimi më i ngrohtë)

Maks. = Konfigurimi më i lartë i ftohjes

(Konfigurimi më i ftohtë)

Temperatura mesatare brenda frigoriferit duhet të jetë afërsisht +5°C.

Ju lutem zgjidhni konfigurimin sipas temperaturës së dëshiruar.

Mund të ndaloni punimin duke e rrotulluar çelësin e termostatit në pozicionin "0".

Ju lutem vini re se do të ketë temperatura të ndryshme në zonën e ftohjes. Vendi më i ftohtë është menjëherë sipër ndarjes të perimeve.

Temperatura e brendshme varet gjithashtu nga temperatura e ambientit, shpeshtësia në të cilën hapet dera dhe sasia e ushqimit që mbahet brenda.

Hapja shpesh e derës bën që temperatura brenda të rritet.

Për këtë arsye, rekomandohet që ta mbyllni derën sa më shpejt të jetë e mundur pas përdorimit.

Vendi më i ftohtë është menjëherë poshtë ndarjes të bërjes së akullit.

Në lagështi të madhe, mund të formohet kondensim në frigorifer; ky nuk është defekt. Mund të fshihet me një leckë të thatë sipas udhëzimeve të sigurisë. Formimi i akullit, ngrirja dhe kondensimi janë normale për ndarjen akullit dhe kontejnerin e zbrazjes të ujit.

Shkrirja e pajisjes

Grumbullimi i tepërt i akullit ndikon në performancën e ftohjes të pajisjes tuaj.

Prandaj rekomandohet që ta shkrini pajisjen të paktën dy herë në vit, ose kurdoherë që formimi i akullit i kalon 7 mm.

Shkrijeni pajisjen kur ka pak ose nuk ka ushqim në të.

Nxirreni ushqimin. Mbështilleni ushqimin me disa shtresa letre, ose mbulesë, dhe mbajeni në një vend të ftohtë.

Hiqeni pajisjen nga priza dhe fikeni automatin për të filluar procesin e shkrirjes.

Nxirrni jashtë aksesorët (si rafti, sirtari, etj.) nga pajisja dhe përdorni një enë të përshtatshme për të grumbulluar ujin e shkrirjes.

Përdorni një sfungjer ose leckë të butë për të hequr ujin e shkrirjes nëse është e nevojshme të ndarjet.

Mbajeni derën të hapur gjatë shkrirjes.

Për shkrirje më të shpejtë, vendosni enë me ujë të ngrohtë brenda pajisjes.

Mos përdorni asnjëherë pajisje elektrike, spërkatës për shkrirje ose objekte me majë apo të mprehta si thika ose prinë për të hequr akullin.

Pasi të ketë mbaruar shkrirja, pastrojeni brenda.

Lidheni përsëri pajisjen në korrent. Vendoseni ushqimin e ngrirë në sirtarë dhe futini sirtarët në ngrirës.

Fikeni automatin dhe hiqeni pajisjen nga priza për sigurinë tuaj për të filluar procesin e shkrirjes.

Gjatë shkrirjes, damperi i avullimit duhet të pozicionohet si në metodën e dimrit. Pas shkrirjes, mund të pozicionet në metodën e verës apo të dimrit, sipas nevojës.

Ftohje

Vendosja e ushqimit

Ndarja e frigoriferit është për mbajtjen për kohë të shkurtër të ushqimeve të freskëta dhe pijeve.

Vendosni produktet e qumështit në ndarjen e posaçme në frigorifer.

Shisheet mund të vendosen në mbajtësen e shisheve ose në raftin e shisheve në derë.

Mishi i pagatuar mbahet më së mirë në qese polietilieni në ndarjen në fund të frigoriferit.

Lërimi ushqimet e nxehta të ftohen në temperaturë ambienti para se t'i vendosni në frigorifer.

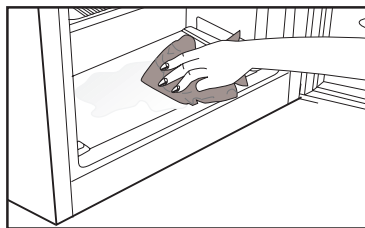
• Kujdes

Alkoolin e përqendruar vendoseni në enë vetëm në këmbë dhe të shtrënguar fort.

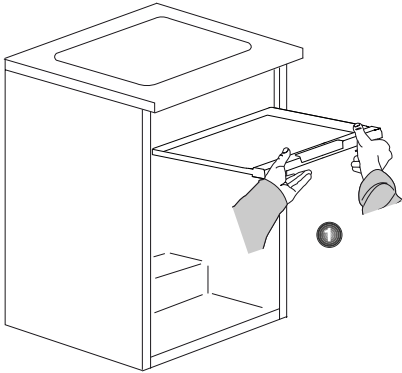
• Kujdes

Mos mbani substanca shpërthyes ose enë me gazra të djegshme (krem torte, kanaçe me spërkatje, etj.) në pajisje.

Ekziston rrezik shpërthimi.



Damperi i avullimit duhet të përdoret siç tregohet më poshtë për të mbajtur temperaturën e dëshiruar të ndarjes në varësi të temperaturës së ambientit, si për shembull metoda e dimrit për temperaturë ambienti të ftohtë dhe metoda e verës për temperaturë ambienti të nxehtë.

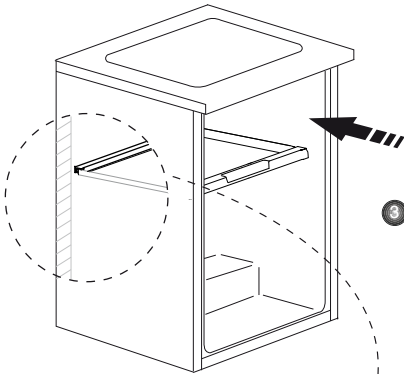
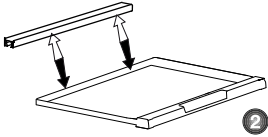


METODA E VERËS (METODA A)

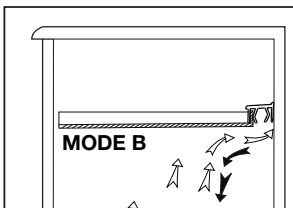
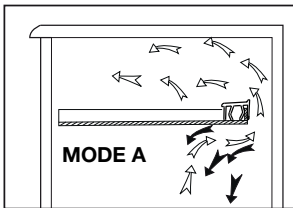
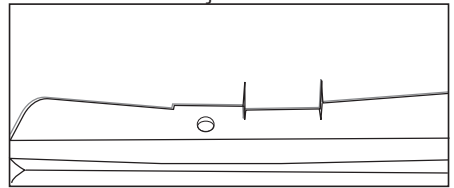
Kur kërkohet temperaturë më e ftohtë e ndarjes...

METODA E DIMRIT (METODA B)

(Kur kërkohet temperaturë më e ngrohtë e ndarjes dhe shkrirje.



Maja e dalë e mbyllur që tregohet është pjesë e ndërtimit, nuk ka ndikim në sistemin e ftohjes.



6 Mirëmbajtja dhe pastrimi

- ⚠ Mos përdorni asnjëherë benzinë, benzen ose substanca të ngjashme për të pastruar.
- ⚠ Rekomandojmë që ta hiqni pajisjen nga priza para se ta pastroni.
- ⚠ Mos përdorni asnjëherë mjete të mprehta, sapun, pastrues shtëpiak, detergjent dhe dyll lustrues për pastrim.
- ⚠ Për produktet jo non-Frost, pikat e ujit dhe ngrirja deri në gjerësinë e gishtit ndodh në murin e pasmë të frigoriferit. Mos e pastroni; asnjëherë mos përdorni vaj ose agjentë të ngjashëm mbi të.
- ⚠ Përdorni vetëm leckë mikrofibër pak të njoma për të pastruar sipërfaqen e jashtme të produktit. Sfungjerët dhe llojet e tjera të leckave të pastrimit mund ta gërvishin sipërfaqen.
- ⓘ Përdorni ujë të ngrohtë për të pastruar kabinën e frigoriferit dhe thajeni me leckë.
- ⓘ Përdorni një leckë të njomë të shtrydhur në një solucion me një lugë çaji bikarbonat sode në një pintë uji për të pastruar pjesën e brendshme dhe thajeni me leckë.
- ⚠ Sigurohuni që të mos hyjë ujë në kasën e llambës dhe në pjesët e tjera elektrike.
- ⚠ Nëse frigoriferi juaj nuk do të përdoret për një kohë të gjatë, hiqeni kabllin e korrentit, hiqni të gjitha ushqimet, pastrojueni dhe lëreni derën pak të hapur.

- ⓘ Kontrolloni gominat e dyerve për t'u siguruar që të jenë të pastra dhe pa grimva ushqimesh.
- ⚠ Për të hequr raftet e derës, hiqni të gjitha gjërat në to dhe thjesht shtyjeni raftin e derës lart nga baza.
- ⚠ Mos përdorni asnjëherë agjentë pastrimi ose ujë që përmban klor për të pastruar sipërfaqet e jashtme dhe pjesët e ljer me krom të produktit. Klori shkakton gërryerje mbi sipërfaqet metalike.

Mbrojtja e sipërfaqeve plastike

- ⓘ Mos vendosni vajra të lëngshme ose ushqime të gatuar me vaj në frigorifer në enë të pambyllura pasi ato mund të dëmtojnë sipërfaqet plastike të frigoriferit tuaj. Në rast të spërkatjes ose derdhjes të vajti mbi sipërfaqet plastike, pastrojeni dhe shpëlajeni pjesën përkatëse të sipërfaqes menjëherë me ujë të ngrohtë.

7 Zgjidhja e problemeve

Ju lutem shikoni këtë listë para se të thërrisni shërbimin. Do t'ju kursejë kohë dhe para. Kjo listë përmban ankesat e shpeshta që nuk lindin nga defektet e prodhimit ose përdorimi i materialeve. Disa nga karakteristikat të përshkruar këtu mundësisht nuk ekzistojnë në prodhimin juaj.

Frigoriferi nuk punon.

- Spina nuk është futur mirë në prizë. >>>Vendoseni spinën mirë në prizë.
- Siguresa e prizës në të cilën është lidhur frigoriferi juaj ose siguresa kryesore mund të kenë rënë. >>>Kontrolloni siguresën.

Kondensim në muret anësore të ndarjes të frigoriferit (MULTIZONE, COOL CONTROL dhe FLEXI ZONE).

- Ambienti është shumë i ftohtë. >>>Mos e montoni frigoriferin në vende ku temperatura bie nën 10 °C.
- Dera është hapur shpesh. >>>Mos e hapni dhe mbyllni derën e frigoriferit shpesh.
- Ambienti është shumë i lagësht. >>>Mos e instaloni frigoriferin në vende me shumë lagështi.
- Ushqime që kanë lëngje janë vendosur në enë të hapura. >>>Mos e vendosni ushqimin me përmbajtje të lëngshme në enë të hapura.
- Dera e frigoriferit është lënë pak hapur. >>>Mbylleni derën e frigoriferit.
- Termostati është vendosur në një nivel shumë të ftohtë. >>>Vendoseni termostatin në një nivel të përshtatshëm.

Kompresori nuk punon.

- Mbrojtja termike e kompresorit do të fryhet gjatë ndërprerjeve të papritura të energjisë ose heqjes dhe vënies në prizë pasi presioni i lëngut ftohës në sistemin e ftohjes të frigoriferit nuk është balancuar akoma. Frigoriferi do të fillojë të punojë për rreth 6 minuta. Ju lutem thërrisni shërbimin nëse frigoriferi nuk ndizet në fund të kësaj periudhe.
- Frigoriferi është në ciklin e shkrirjes. >>>Kjo është normale për një shkrirje të plotë automatike të frigoriferit. Cikli i shkrirjes ndodh rregullisht.
- Frigoriferi nuk është futur në prizë. >>>Sigurohuni që spina është futur në prizë.
- Parametrat e temperaturës nuk janë bërë mirë. >>>Zgjidhni vlerën e duhur të temperaturës.
- Ka një ndërprerje energjie. >>>Frigoriferi kthehet në punimin normal kur kthehet energjia.

Zhurma e punimit rritet kur frigoriferi është në punë.

- Performanca e punimit të frigoriferit mund të ndryshojë për shkak të ndryshimeve në temperaturën e ambientit. Kjo është normale dhe nuk është defekt.

Frigoriferi punon shpesh për një kohë të gjatë.

- Produkti i ri mund të jetë më i gjerë se ai i mëparshmi. Frigoriferët më të mëdhenj punojnë për një kohë më të gjatë.
- Temperatura e dhomës mund të jetë e lartë. >>> Është normale që produkti të punojë për periudha më të gjata në ambient të ngrohtë.
- Frigoriferi mund të jetë vënë në prizë së fundi ose mund të jetë i mbushur me ushqime. >>> Kur frigoriferi vihet në prizë ose është mbushur së fundi me ushqime, do të kërkojë më shumë kohë që të arrijë temperaturën e caktuar. Kjo është normale.
- Sasi të mëdha ushqimesh të nxehta mund të jenë vendosur në frigorifer së fundi. >>> Mos vendosni ushqime të nxehta në frigorifer.
- Dyert mund të hapen shpesh ose të lihen pak hapur për një kohë të gjatë. >>> Ajri i ngrohtë që ka hyrë në frigorifer bën që frigoriferi të punojë për periudha më të gjata. Mos i hapni dyert shpesh.
- Dera e ndarjes të frigoriferit ose ngrirësit mund të jetë lënë pak hapur. >>> Kontrolloni nëse dyert janë mbyllur plotësisht.
- Frigoriferi është rregulluar në një temperaturë shumë të ulët. >>> Rregulloni temperaturën e frigoriferit në një gradë më të ngrohtë dhe prisni derisa të arrihet temperatura.
- Gomina e derës të frigoriferit ose ngrirësit mund të jetë ndotur, konsumuar, çarë ose të mos jetë izoluar mirë. >>> Pastroni ose ndërroni gominën. Gominat e dëmtuara/çara bëjnë që frigoriferi të punojë më gjatë për të ruajtur temperaturën aktuale.

Temperatura e ngrirësit është shumë e ulët ndërsa temperatura e frigoriferit është e mjaftueshme.

- Temperatura e ngrirësit është rregulluar në një vlerë shumë të ulët. >>> Rregulloni temperaturën e ngrirësit në një gradë më të ngrohtë dhe kontrolloni.

Temperatura e frigoriferit është shumë e ulët ndërsa temperatura e ngrirësit është e mjaftueshme.

- Temperatura e frigoriferit është rregulluar në një vlerë shumë të ulët. >>> Rregulloni temperaturën e frigoriferit në një gradë më të ngrohtë dhe kontrolloni.

Ushqimet që mbahen në sirtarët e ndarjes të frigoriferit kanë ngrirë.

- Temperatura e frigoriferit është rregulluar në një vlerë shumë të lartë. >>> Rregulloni temperaturën e frigoriferit në një vlerë më të ulët dhe kontrolloni.

Temperatura në frigorifer ose ngrirës është shumë e lartë.

- Temperatura e frigoriferit është rregulluar në një vlerë shumë të lartë. >>> Konfigurimi i temperaturës të ndarjes të frigoriferit ka një efekt në temperaturën e ngrirësit. Ndryshoni temperaturat e frigoriferit ose ngrirësit dhe prisni derisa ndarjet përkatëse të arrijnë temperaturën e mjaftueshme.
- Dyert hapen shpesh ose janë lënë hapur për një kohë të gjatë. >>> Mos i hapni dyert shpesh.
- Dera është pak hapur. >>> Mbylleni derën plotësisht.
- Frigoriferi është vënë në prizë ose është mbushur me ushqime së fundi. >>> Kjo është normale. Kur frigoriferi vihet në prizë ose është mbushur së fundi me ushqime, do të kërkojë më shumë kohë që të arrijë temperaturën e caktuar.
- Sasi të mëdha ushqimesh të nxehta mund të jenë vendosur në frigorifer së fundi. >>> Mos vendosni ushqime të nxehta në frigorifer.

• Dridhje ose zhurmë.

- Dyshemeja nuk është në nivel ose është e paqëndrueshme. >>> Nëse frigoriferi tundet kur lëvizet ngadalë, balancojeni duke i rregulluar këmbët. Gjithashtu sigurohuni që dyshemeja të jetë e fortë mjaft për të mbajtur frigoriferin, dhe të jetë në nivel.
- Sendet që vendosni në frigorifer mund të shkaktojnë zhurmë. >>> Hiqni sendet që janë sipër frigoriferit.

Ka zhurma që vijnë nga frigoriferi si për shembull rrjedhje lëngjesh, spërkatje, etj.

- Rrjedha e lëngut dhe gazit është sipas parimeve të punimit të frigoriferit tuaj. Kjo është normale dhe nuk është defekt.

Vjen një fishkëllimë nga frigoriferi.

- Përdoren ventilatorë për të ftohur frigoriferin. Kjo është normale dhe nuk është defekt.

Kondensim në muret e brendshme të frigoriferit.

- Moti i ngrohtë dhe i lagësht rrit akullin dhe kondensimin. Kjo është normale dhe nuk është defekt.
- Dyert hapen shpesh ose janë lënë hapur për një kohë të gjatë. >>> Mos i hapni dyert shpesh. Mbyllini nëse janë hapur.
- Dera është pak hapur. >>> Mbylleni derën plotësisht.

Ndodh lagështi nga jashtë frigoriferit ose midis dyerve.
<ul style="list-style-type: none"> Mund të ketë lagështi në ajër; kjo është normale në mot me lagështi. Kur lagështia është më e ulët, do të shfaqet kondensimi.
Erë e keqe brenda frigoriferit.
<ul style="list-style-type: none"> Nuk është bërë pastrimi rregullisht. >>> Pastroni pjesën e brendshme të frigoriferit rregullisht me një sfunjër, ujë të ngrohtë ose karbonat të tretur në ujë. Disa enë ose materiale paketimi mund të shkaktojnë erë. >>> Përdorni enë të tjera ose materiale paketimi origjinale. Ushqimi vendoset në frigorifer në enë të pambuluara. >>> Mbajeni ushqimin në enë të mbyllura. Mikroorganizmat që përhapen nga enët e pambuluara mund të shkaktojnë erëra të pakëndshme. Hiqni ushqimet që u ka kaluar data e skadencës dhe që janë prishur nga frigoriferi.
Dera nuk mbyllet.
<ul style="list-style-type: none"> Paketimet e ushqimeve nuk lejojnë derën të mbyllet. >>> Lëvizni paketimet që pengojnë derën. Frigoriferi nuk është plotësisht shesh mbi dysheme. >>> Rregulloni këmbët për të balancuar frigoriferin. Dyshemeja nuk është në nivel ose nuk është e fortë. >>> Sigurohuni që dyshemeja është në nivel dhe është në gjendje të mbajë frigoriferin.
Krisperët kanë ngecur.
<ul style="list-style-type: none"> Ushqimi prek tavanin e sirtarit. >>> Rivendosni ushqimet në sirtar.
Nëse Sipërfaqja E Produktit Është E Nxehtë.
<ul style="list-style-type: none"> Mund të vërehen temperatura të larta midis dy dyerve, në panelet anësore dhe në grilën e pasme ndërsa produkti është në punë. Kjo është normale dhe nuk kërkon shërbim mirëmbajtjeje! Bëni kujdes kur prekni këto zona.