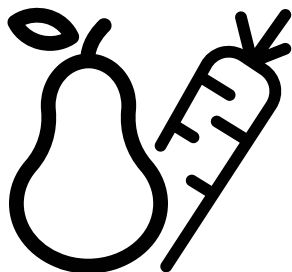




Refrigerator
User Manual
Frigorifero
Manuale utente



RCNE520E31ZM-RCNE520E31ZX-RCNE520E31ZB
RCNE520E20M-RCNE520E20B-RCNE520E20DB
RCNE520E20DS-RCNE520E20FXP



EN/IT

57 5905 0000/BB- EN-IT

Please read this manual before using the product!

Dear Customer,



We'd like you to make the best use of our product, which has been manufactured in modern facilities with care and meticulous quality controls.

Thus, we advise you to read the entire user manual before you use the product. In case the product changes hands, do not forget to hand the guide to its new owner along with the product.

This guide will help you use the product quickly and safely.

- Please read the user guide carefully before installing and operating the product.
- Always observe the applicable safety instructions.
- Keep the user guide within easy reach for future use.
- Please read any other documents provided with the product.





Keep in mind that this user guide may apply to several product models. The guide clearly indicates any variations of different models.

	Important information and useful tips.
	Risk of life and property.
	Risk of electric shock.
	The product's packaging is made of recyclable materials, in accordance with the National Environment Legislation.

1. Safety and environment instructions	3	5 Using the product	12
1.1. General safety	3	5.1. Temperature adjustment button	12
1.1.1 HC warning	4	5.2. Fast Freezing	12
1.1.2 For models with water dispenser	4	5.3. Holiday Function	13
1.2. Intended use	5	5.2. Indicator panel	14
1.3. Child safety	5	5.3. Indicator panel	16
1.4. Compliance with WEEE Directive and Disposing of the Waste Product	5	5.4. Ice bucket	18
1.5. Compliance with RoHS Directive	5	5.5. Eggholder	19
1.6. Package information	5	5.6. Fan	19
2 Your Refrigerator	6	5.7. Vegetable bin	19
3 Installation	7	5.8. Zero degree compartment	19
3.1. Right place for installation	7	5.9. HerbBox/HerbFresh	19
3.2. Attaching the plastic wedges	7	5.10. Moving door rack	20
3.3. Adjusting the stands	7	5.11. Sliding storage box	20
3.4. Power connection	8	5.12. Moisture controlled vegetable bin	21
3.5. Reversing the doors	9	5.13. Automatic ice machine	21
3.6. Reversing the doors	10	5.14. Icematic and ice storage container	22
4 Preparation	11	5.15. Using the water dispenser	22
4.1. What to do for energy saving	11	5.16. Filling the water dispenser's tank	23
4.2. First Use	11	5.17. Cleaning the water tank	24
		5.18. Drip tray	25
		5.19. Freezing fresh food	26
		5.20. Recommendations for storing frozen foods	26
		5.21. Deep freezer details	27
		5.22. Placing the food	27
		5.23. Door open alert	27
		5.24. Changing the opening direction of the door	27
		5.25. Interior light	27
		5.26. Blue light	27
		6 Maintenance and cleaning	28
		6.1. Avoiding bad odors	28
		6.2. Protecting the plastic surfaces	28
		6.3. Door Glasses	28
		7. Troubleshooting	29

This section provides the safety instructions necessary to prevent the risk of injury and material damage. Failure to observe these instructions will invalidate all types of product warranty.

Intended use

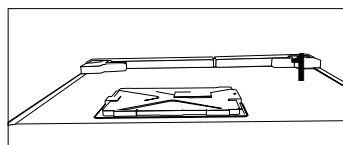
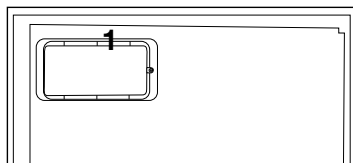
	WARNING: Keep ventilation openings, in the appliance enclosure or in the built-in structure, clear of obstruction.
	WARNING: Do not use mechanical devices or other means to accelerate the defrosting process, other than those recommended by the manufacturer.
	WARNING: Do not damage the refrigerant circuit.
	WARNING: Do not use electrical appliances inside the food storage compartments of the appliance, unless they are of the type recommended by the manufacturer.

This appliance is intended to be used in household and similar applications such as

- staff kitchen areas in shops, offices and other working environments;
- farm houses and by clients in hotels, motels and other residential type environments;
- bed and breakfast type environments;
- catering and similar non-retail applications.

1.1. General safety

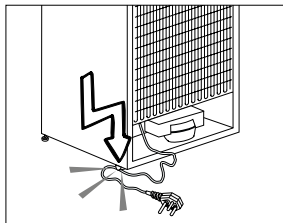
- This product should not be used by persons with physical, sensory and mental disabilities, without sufficient knowledge and experience or by children. The device can only be used by such persons under supervision and instruction of a person responsible for their safety. Children should not be allowed to play with this device.
- In case of malfunction, unplug the device.
- After unplugging, wait at least 5 minutes before plugging in again.
- Unplug the product when not in use.
- Do not touch the plug with wet hands! Do not pull the cable to plug off, always hold the plug.
- Do not plug in the refrigerator if the socket is loose.
- Unplug the product during installation, maintenance, cleaning and repair.
- If the product will not be used for a while, unplug the product and remove any food inside.
- Do not use the product when the compartment with circuit cards located on the upper back part of the product (electrical card box cover) (1) is open.



- Do not use steam or steamed cleaning materials for cleaning the refrigerator and melting the ice inside. Steam may contact

Safety and environment instructions

- the electrified areas and cause short circuit or electric shock!
- Do not wash the product by spraying or pouring water on it! Danger of electric shock!
- In case of malfunction, do not use the product, as it may cause electric shock. Contact the authorised service before doing anything.
- Plug the product into an earthed socket. Earthing must be done by a qualified electrician.
- If the product has LED type lighting, contact the authorised service for replacing or in case of any problem.
- Do not touch frozen food with wet hands! It may adhere to your hands!
- Do not place liquids in bottles and cans into the freezer compartment. They may explode.
- Place liquids in upright position after tightly closing the lid.
- Do not spray flammable substances near the product, as it may burn or explode.
- Do not keep flammable materials and products with flammable gas (sprays, etc.) in the refrigerator.
- Do not place containers holding liquids on top of the product. Splashing water on an electrified part may cause electric shock and risk of fire.
- Exposing the product to rain, snow, sunlight and wind will cause electrical danger. When relocating the product, do not pull by holding the door handle. The handle may come off.
- Take care to avoid trapping any part of your hands or body in any of the moving parts inside the product.
- Do not step or lean on the door, drawers and similar parts of the refrigerator. This will cause the product to fall down and cause damage to the parts.
- Take care not to trap the power cable.



1.1.1 HC warning

If the product comprises a cooling system using R600a gas, take care to avoid damaging the cooling system and its pipe while using and moving the product. This gas is flammable. If the cooling system is damaged, keep the product away from sources of fire and ventilate the room immediately.



The label on the inner left side indicates the type of gas used in the product.

1.1.2 For models with water dispenser

- Pressure for cold water inlet shall be maximum 90 psi (6.2 bar). If your water pressure exceeds 80 psi (5.5 bar), use a pressure limiting valve in your mains system. If you do not know how to check your water pressure, ask for the help of a professional plumber.
- If there is risk of water hammer effect in your installation, always use a water hammer prevention equipment in your installation. Consult

Safety and environment instructions

Professional plumbers if you are not sure that there is no water hammer effect in your installation.

- Do not install on the hot water inlet. Take precautions against of the risk of freezing of the hoses. Water temperature operating interval shall be 33°F (0.6°C) minimum and 100°F (38°C) maximum.
- Use drinking water only.

1.2. Intended use

- This product is designed for home use. It is not intended for commercial use.
- The product should be used to store food and beverages only.
- Do not keep sensitive products requiring controlled temperatures (vaccines, heat sensitive medication, medical supplies, etc.) in the refrigerator.
- The manufacturer assumes no responsibility for any damage due to misuse or mishandling.
- Original spare parts will be provided for 10 years, following the product purchasing date.

1.3. Child safety

- Keep packaging materials out of children's reach.
- Do not allow the children to play with the product.
- If the product's door comprises a lock, keep the key out of children's reach.

1.4. Compliance with WEEE Directive and Disposing of the Waste Product

This product complies with EU WEEE Directive (2012/19/EU). This product bears a classification symbol for waste electrical and electronic equipment (WEEE).



This product has been manufactured with high quality parts and materials which can be reused and are suitable for recycling. Do not dispose of the waste product with normal domestic and other wastes at the end of its service life. Take it to the collection center for the recycling of electrical and electronic equipment. Please consult your local authorities to learn about these collection centers.

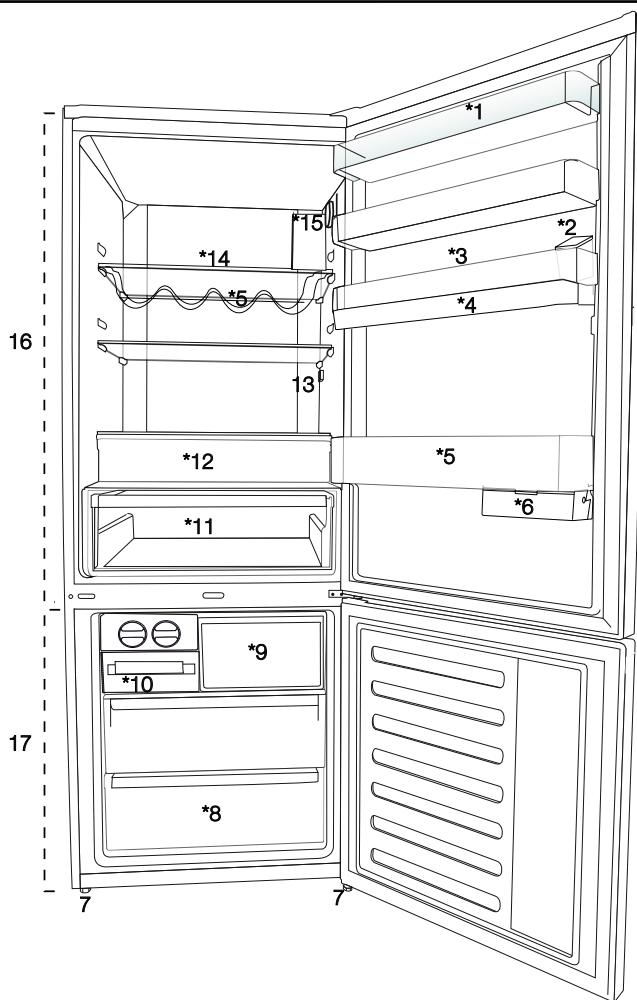
1.5. Compliance with RoHS Directive

- This product complies with EU WEEE Directive (2011/65/EU). It does not contain harmful and prohibited materials specified in the Directive.

1.6. Package information

Packaging materials of the product are manufactured from recyclable materials in accordance with our National Environment Regulations. Do not dispose of the packaging materials together with the domestic or other wastes. Take them to the packaging material collection points designated by the local authorities.

2 Your Refrigerator



1. Cooler compartment door shelf
2. Water dispenser filling tank
3. Egg section
4. Water dispenser reservoir
5. Bottle shelf
6. Sliding storage box
7. Adjustable legs
8. Deep freezer compartment
9. Quick freeze compartment
10. Ice cube tray & Ice bank
11. Vegetable bin
12. Zero degree compartment
13. Interior light
14. Cooler compartment glass shelf
15. Temperature adjustment button
16. Cooler compartment
17. Freezer compartment



***optional:** Pictures given in this manual are given as example figures and they may not be exactly the same as your product. If your product does not comprise the relevant parts, the information pertains to other models.

3 Installation

3.1. Right place for installation

Contact the Authorized Service for the product's installation. To ready the product for installation, see the information in the user guide and make sure the electric and water utilities are as required. If not, call an electrician and plumber to arrange the utilities as necessary.



WARNING: The manufacturer assumes no responsibility for any damage caused by the work carried out by unauthorized persons.



WARNING: The product's power cable must be unplugged during installation. Failure to do so may result in death or serious injuries!



WARNING: If the door span is too narrow for the product to pass, remove the door and turn the product sideways; if this does not work, contact the authorized service.

- Place the product on a flat surface to avoid vibration.
- Place the product at least 30 cm away from the heater, stove and similar sources of heat and at least 5 cm away from electric ovens.
- Do not expose the product to direct sunlight or keep in damp environments.
- The product requires adequate air circulation to function efficiently.
- If the product will be placed in an alcove, remember to leave at least 5 cm distance between the product and the ceiling and the walls.
- Do not install the product in environments with temperatures below -5°C .

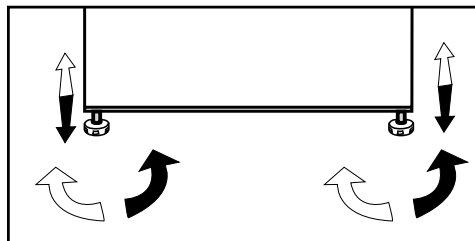
3.2. Attaching the plastic wedges

Use the plastic wedges in the provided with the product to provide sufficient space for air circulation between the product and the wall.

1. To attach the wedges, remove the screws on the product and use the screws provided with the wedges.
2. Attach 2 plastic wedges on the ventilation cover as shown in the figure.




3.3. Adjusting the stands

If the product is not in balanced position, adjust the front adjustable stands by rotating right or left.




Installation

3.4. Power connection

	WARNING: Do not use extension or multi sockets in power connection.
	WARNING: Damaged power cable must be replaced by Authorized Service.
	When placing two coolers in adjacent position, leave at least 4 cm distance between the two units.

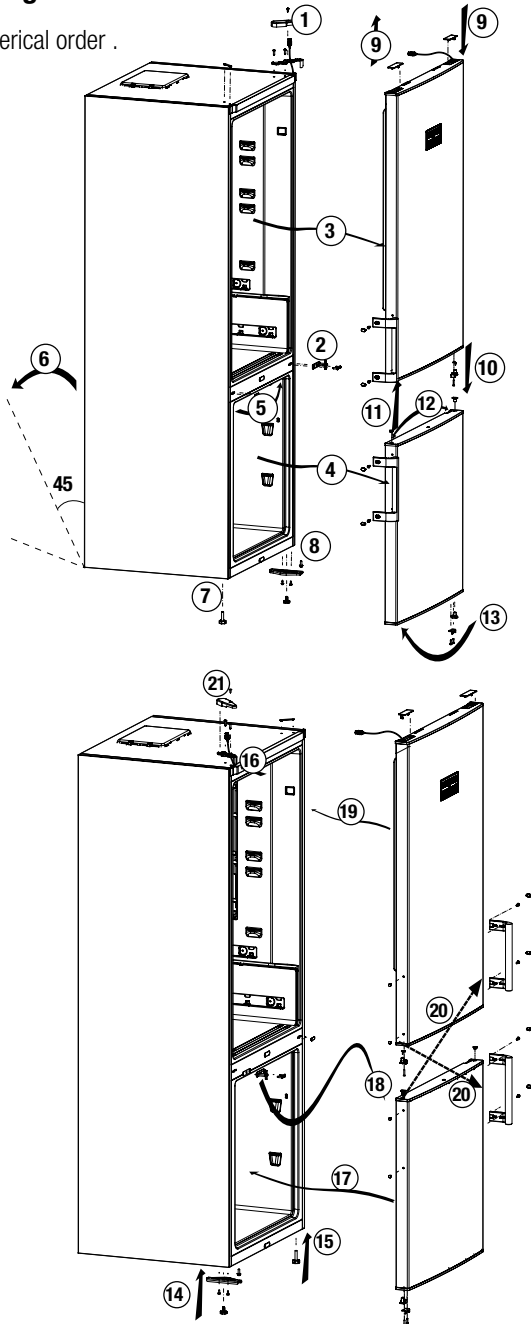
- Our firm will not assume responsibility for any damages due to usage without earthing and power connection in compliance with national regulations.
- The power cable plug must be easily accessible after installation.
- Connect the refrigerator to an earthed socket with 220-240V/50 Hz voltage. The plug must comprise a 10-16A fuse.
- Do not use multi-group plug with or without extension cable between the wall socket and the refrigerator.

	Hot Surface Warning! Side walls of your product is equipped with refrigerant pipes to improve the cooling system. Refrigerant with high temperatures may flow through these areas, resulting in hot surfaces on the side walls. This is normal and does not need any servicing. Please pay attention while touching these areas.
---	--

Installation

3.5. Reversing the doors

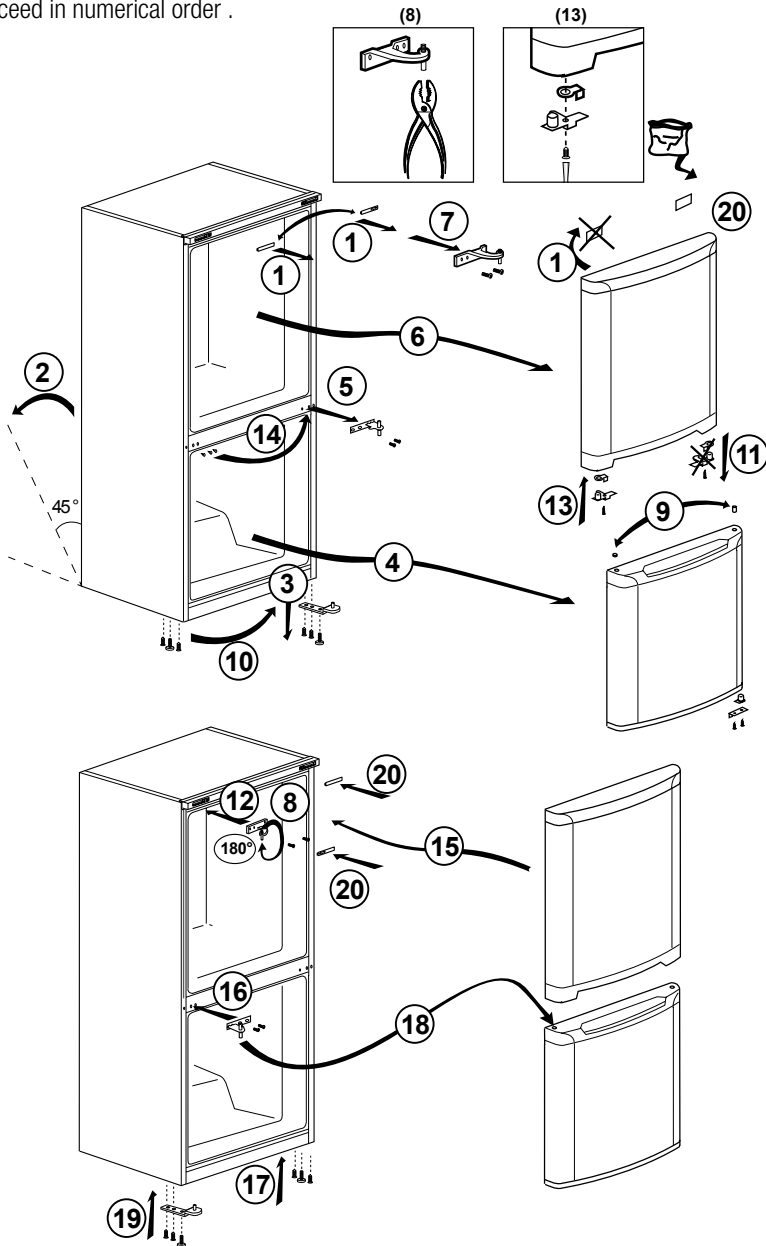
Proceed in numerical order .



Installation

3.6. Reversing the doors

Proceed in numerical order .



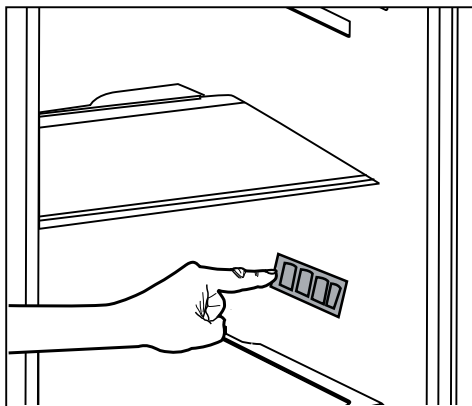
4 Preparation

4.1. What to do for energy saving



Connecting the product to electronic energy-saving systems is harmful, as it may damage the product.

- Do not keep the refrigerator doors open for long periods.
- Do not place hot food or beverages into the refrigerator.
- Do not overfill the refrigerator; blocking the internal air flow will reduce cooling capacity.
- In order to store the maximum amount of food into the cooler compartment of your refrigerator, you should take out the upper drawers and place it onto the glass rack. The declared energy consumption of your refrigerator was determined by taking out the cooler, ice tray and upper drawers in a way that will enable maximum storage. Using the below drawer when storing is strongly recommended. Energy saving function should be activated for best energy consumption.
- You should not block the airflow by putting food in front of the cooler fan. A space of minimum 3cm must be left in front of the protective fan wire when placing food.
- Depending on the product's features; defrosting frozen foods in the cooler compartment will ensure energy saving and preserve food quality.
- Food should be stored using the drawers in the cooler compartment in order to ensure energy saving and protect food in better conditions.



- Food packages should not be in direct contact with the heat sensor located in the cooler compartment. If they are in contact with the sensor, energy consumption of the appliance might increase.
- Make sure the foods are not in contact with the cooler compartment temperature sensor described below.

4.2. First Use

Before using your refrigerator, make sure the necessary preparations are made in line with the instructions in "Safety and environment instructions" and "Installation" sections.

- Keep the product running with no food inside for 6 and do not open the door, unless absolutely necessary.



A sound will be heard when the compressor is engaged. It is normal to hear sound even when the compressor is inactive, due to the compressed liquids and gasses in the cooling system.



Front edges of the product might heat up. This is normal. These areas are designed to warm up in order to prevent condensation.



In some models indicator panel turns off automatically 5 minutes after the door closes. It will be reactivated when the door is open or any button is pressed.

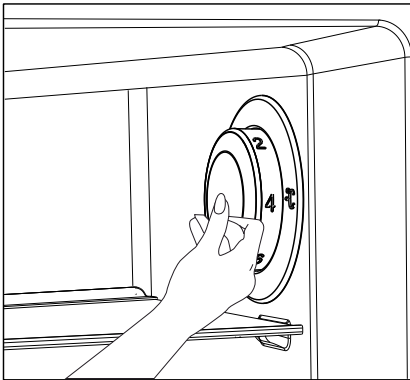
5.1. Temperature adjustment button

Internal temperature of your refrigerator varies depending on the following reasons:

- Seasonal temperatures,
- Opening the door frequently and leaving it open for long periods,
- Meals put into the refrigerator without being cooled to room temperature,
- Location of the refrigerator in the room (e.g. exposed to sunshine).
- Internal temperature varying due to these factors can be adjusted via the adjustment button.

Numbers around the adjustment button indicate temperature degrees as "°C".

If the ambient temperature is 20°C, it is recommended to use the refrigerator temperature adjustment at 4°C. In other ambient temperatures this value can be customised.

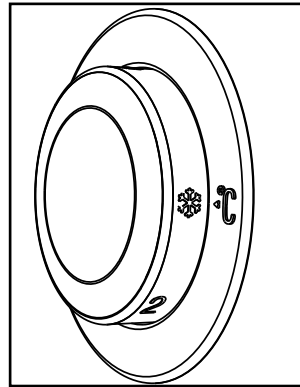


5.2 Fast Freezing

If you want to freeze large amounts of fresh food, switch the temperature adjustment button to (❄️) position before putting the food into the quick freezing compartment.

It is recommended to keep the button at this position for 24 hours to freeze maximum amount of food indicated as the freezing capacity. Pay special attention not to mix food stored as frozen and fresh food.


Remember to switch the temperature adjustment button back to its previous position.



Using the product

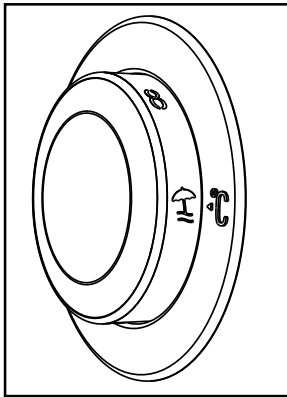
5.3 Holiday Function

The Holiday function will be activated after the temperature adjustment button is set to Holiday

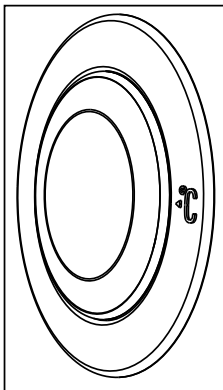
() which is the hottest position.

It is not recommended to store food in the refrigerator compartment when the holiday function is active.

Button setting must be changed to cancel the function.



- After setting is completed, you can conceal the temperature setting button by pressing it inside.

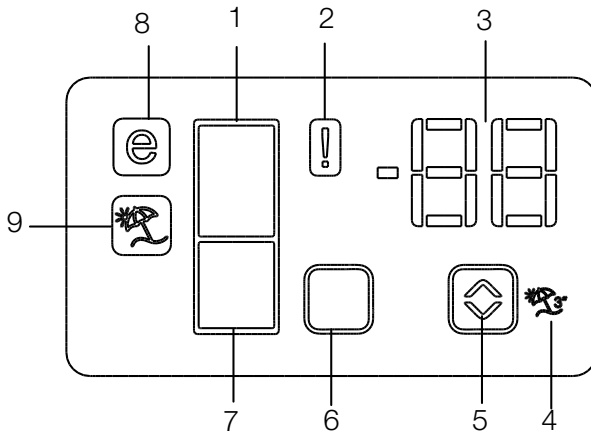


Using the product

5.2. Indicator panel

Indicator panels may vary according to the product model.

Audio – visual functions on the indicator panel helps you in using your product.



1. Cooler compartment indicator
2. Error status indicator
3. Temperature adjustment indicator
4. Holiday function button (press button 5 for 3s)
5. Temperature adjustment button
6. Compartment selection button
7. Cooler compartment indicator
8. Economy mode indicator
9. Vacation function indicator

***optional**



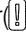
***Optional:** The figures in this user guide are intended as drafts and may not perfectly match your product. If your product does not comprise the relevant parts, the information pertains to other models.

Using the product

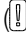
1. Cooler compartment indicator

If you want to set the temperature of the cooler compartment, select the cooler compartment indicator with button 6.

2. Error status indicator

This indicator () will light up in case of temperature warnings or fault alerts.

When the freezer compartment temperature heats up to a critical level for frozen foods, this indicator and the temperature display alternately display the highest temperature and temperature unit reached by the freezer compartment. Check the food in the freezer compartment. This display is automatically switched off when the freezer compartment temperature has cooled to a sufficient level.

This indicator () also illuminates when a sensor malfunction occurs. When this indicator is lit, the temperature display alternately displays "E" and numbers such as "1,2,3 ...".

These numbers on the display inform service personnel of the error.


3. Temperature adjustment indicator

Shows the set temperature of the cooler and freezer compartment.

4. Vacation function button

Press the temperature adjustment button 5 for 3 seconds to activate the vacation function.

When the Vacation


function is active () indicator lits, when the cooler compartment is selected, temperature indicator displays the inscription "- -" and no cooling process will be active in the cooling compartment. This function is not suitable to keep food in the cooler compartment. The freezer compartment will continue to cool according to the set temperature.

To cancel this function, press the temperature adjustment button 5 again for 3 s.

5. Temperature adjustment button

It is used to adjust the temperature of the selected compartment. The freezer compartment can be changed between -18°C ... - 24°C and the cooling compartment 8°C ... 1°C.

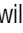
6. Compartment selection button

Use the compartment selection button () to toggle between the cooler and freezer compartments.


7. Cooler compartment indicator

If you wish to set the freezer compartment temperature, select the freezer compartment display with button 6.

8. Economy mode indicator

Indicates that the refrigerator is operating in energy saving mode. This indicator () will be active if the temperature of the freezer compartment is set to -18°C.

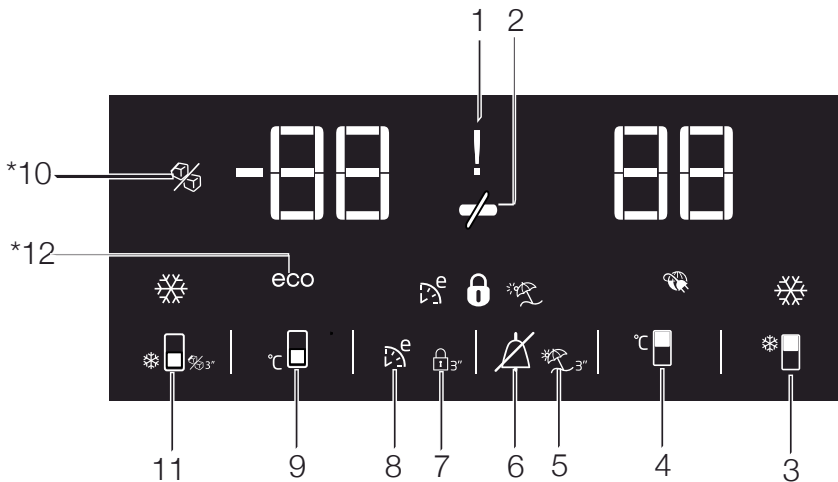
9. Vacation function indicator

Indicates that the vacation function () is active.


Using the product

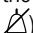
5.3. Indicator panel


Indicator panel allows you to set the temperature and control the other functions related to the product without opening the door of the product. Just press the inscriptions on relevant buttons for function settings.



1. High temperature/fault alert


This indicator  will light up in case of temperature warnings or fault alerts.

When the freezer compartment temperature heats up to a critical level for frozen foods, this indicator and the temperature display alternately display the highest temperature and temperature unit reached by the freezer compartment. After checking the food in the freezer compartment, the alarm is cleared by pressing the Alarm Off () button.

This indicator  also illuminates when a sensor malfunction occurs. When this indicator is lit, the temperature display alternately displays "E" and numbers such as "1,2,3...".

These numbers on the display inform service personnel of the error.

2. Energy saving (display off)

When the doors of the product are not opened or closed, the energy saving function is activated automatically and the energy saving icon lights up. ()

Activating the energy-saving function will turn off all other signs on the display. When the energy-saving function is active, pressing any button or opening the door will deactivate the energy-saving function and the display signals will return to normal.


The energy-saving function is an active function at the factory defaults and cannot be cancelled.

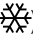



***Optional:** The figures in this user guide are intended as drafts and may not perfectly match your product. If your product does not comprise the relevant parts, the information pertains to other models.

Using the product

3. Rapid cooling function

Press and release the button  to activate the quick cooling function.

The quick cooling indicator  will light and the coolant compartment temperature setting will be set to 1°C.

To cancel the rapid cooling function, press and release the button  again. The rapid cooling indicator will turn off and the product will return to its normal settings.




If the quick cooling function is not cancelled, it is automatically cancelled after 1 hour.




This function is not remembered after a power failure.

4. Cooler compartment temperature setting button


When this button  is pressed, the refrigerant compartment temperature can be set to 8, 7, 6, 5, 4, 3, 2, 1, 8... respectively. Press this button to set the refrigerant compartment temperature to the desired value.

5. Vacation Function

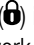
To activate the vacation function, press the Alarm Off button 6 for 3 seconds. Vacation function is active  indicator lights, the cooler compartment temperature indicator displays the inscription "- -" and no cooling process will be active in the cooling compartment. In this function, it is not appropriate to keep your food in the refrigerator compartment. The freezer compartment will continue to cool according to the set temperature.

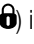
To cancel this function, press the Alarm Off button 6 for 3 seconds.

6. Alarm off button

When the high temperature warning is given, the alarm is cleared by pressing the Alarm Off  button after checking the food in the freezer compartment.

7. Key lock


Press the Eco fuzzy button 8 for 3 seconds to activate the key lock. When the key lock is activated, the  indicator lights and the buttons do not work.

To deactivate the key lock, press the Eco fuzzy button 8 for 3 seconds, the  indicator turns off and the buttons start operating again.


If you wish to avoid changing the temperature setting of the refrigerator, press the Eco fuzzy button 8 for 3 seconds.

8. Eco-fuzzy


Press and release the eco fuzzy button to activate the eco fuzzy function. The economic use indicator

 will light up after the function is activated. The freezer compartment will start operating in economical mode .after 6 hours. To deactivate the eco fuzzy function, press and release the eco fuzzy function button.

9. Freezer compartment temperature setting button

By pressing this button the freezer compartment temperature can be adjusted to -18, -19, -20, -21, -22, -23, -24, -18 ... respectively. To set the freezer compartment temperature to the desired value, press this button .

10. Ice maker off indicator

Shows the ice making status of ice maker. If the  indicator is lit, the ice maker does not make ice.

Using the product





When this function is selected, water intake from the water tank will stop. However, previously made ice in the ice maker can be removed.



This function is not remembered after a power failure.

11. Quick freeze function button/ice maker on-off switch


To activate or deactivate the quick freeze function, press and release this button ().


When the function is activated, the quick freeze indicator () lights up.

The freezer compartment temperature displays as -27.

The freezer compartment is cooled to a lower value than the set temperature.

If you want to freeze large amounts of fresh food, press the quick freeze button before putting food into the freezer compartment.

To stop the ice making process of the ice maker, press and hold the quick freeze button 11 for 3 seconds, the () indicator will light up and the ice making will stop after you have spilled the ice that has been made inside the ice maker.

Press and hold the fast freeze button 11 for 3 seconds to make the ice maker start making ice again, and the () indicator will turn off and ice maker will start making ice.




Use the quick freeze function when you want to quickly freeze food you put in the freezer compartment. If you want to freeze large amounts of fresh food, activate the function before placing the food in the product.



If the quick freeze function is not cancelled, it is automatically cancelled after 25 hour.

12. *Economic use indicator

Indicates that the product works energy efficient. When the freezer compartment temperature is set to -18 or when energy-efficient cooling is performed with the Eco Fuzzy function, this indicator () lights.

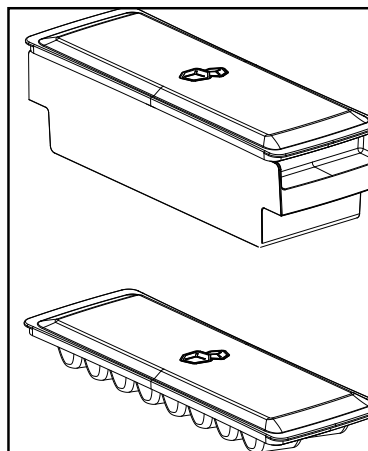


When quick cooling and quick freeze functions are selected, economic use indicator will go off.

5.4. Ice bucket

(Optional)

- Take the ice bucket from the freezer compartment.
- Fill the ice bucket with water.
- Place the ice bucket into the freezer compartment.
- The ice will be ready after approximately two hours. Take the ice bucket from the freezer compartment and bend it slightly over the holder that you are going to serve. Ice will easily pour into the serving holder.



Using the product

5.5. Eggholder

You can put the eggholder on the door or body rack of your choice. If you decide to put it on the body rack, it is recommended to prefer the shelves below as they are colder.

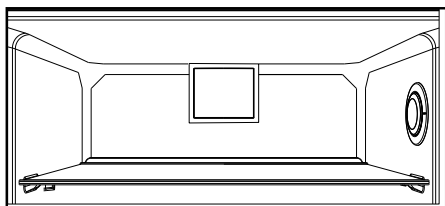


Do not put the eggholder into the freezer compartment.

5.6. Fan

Fan was designed to distribute circulate the cold air inside your refrigerator homogeneously. Operating time of the fan might vary depending the features of your product.

While in some products fan only operates with compressor, in others control system determines the operating time based on the need for cooling.



5.7. Vegetable bin

(Optional)

Product's vegetable bin is designed to keep vegetables fresh by preserving humidity. For this purpose, the overall cold air circulation is intensified in the vegetable bin.

5.8. Zero degree compartment

(Optional)

Use this compartment to keep delicatessen at lower temperatures or meat products for immediate consumption.

Zero degree compartment is the coolest place where foods such as dairy products, meat, fish and chicken can be stored in ideal storage conditions. Vegetables and/or fruits should not be stored in this compartment.

5.9. HerbBox/HerbFresh

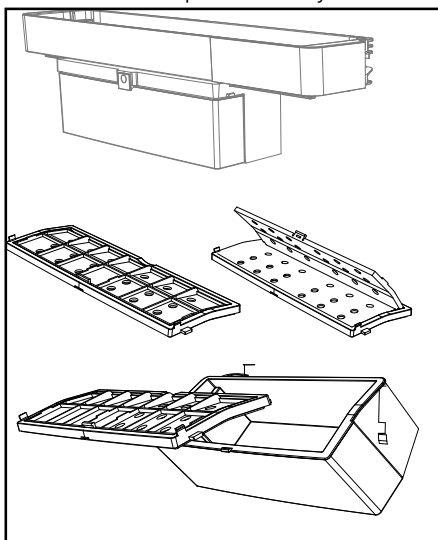
Remove the film container from HerbBox/HerbFresh+

Take the film out of the bag and put it into the film container as shown in the image.

Seal the container again and replace it into HerbBox/HerbFresh+ unit.

HerbBox-HerbFresh+ sections are especially ideal for storage of various herbs that are supposed to be kept in delicate conditions. You can store your unbagged herbs (parsley, dill, etc.) in this section horizontally and keep them fresh for a much longer period.

The film shall be replaced in every six months.



Using the product

5.10. Moving door rack

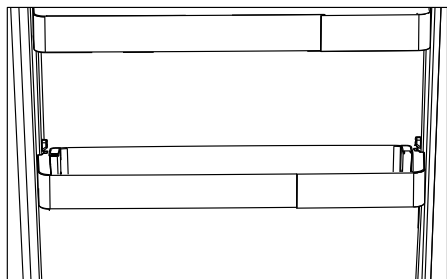
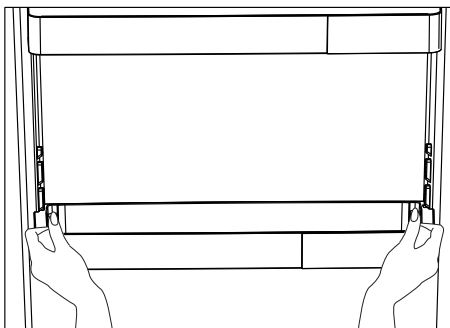
(Optional)

Moving door rack can be fixed in 3 different positions.

In order to move the rack, push the buttons on the side evenly. Rack will be movable.

Move the rack up or down.

When the rack is in the position that you want, release the buttons. Rack will be fixed again in the position where you have released the buttons.

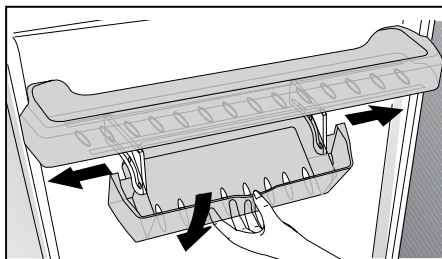


5.11. Sliding storage box

(Optional)

This accessory has been designed to increase the usage volume of the door racks.

Thanks to its ability to move sideways, it enables you to easily place long bottle, jar or boxes that you put in the bottle rack below.



Using the product

5.12. Moisture controlled vegetable bin

(Optional)

With moisture control feature, moisture rates of vegetables and fruits are kept under control and ensures a longer freshness period for foods.

It is recommended to store leafed vegetables such as lettuce and spinach and similar vegetables prone to moisture loss not on their roots but in horizontal position into the vegetable bin as much as possible.

When placing the vegetables, place heavy and hard vegetables at the bottom and light and soft ones on the top, taking into account the specific weights of vegetables.

Do not leave vegetables in the vegetable bin in plastic bags. Leaving them in plastic bags causes vegetables to rot in a short time. In situations where contact with other vegetables is not preferred, use packaging materials such as paper that has a certain porosity in terms of hygiene.

Do not put fruits that have a high ethylene gas production such as pear, apricot, peach and particularly apple in the same vegetable bin with other vegetables and fruits. The ethylene gas coming out of these fruits might cause other vegetables and fruits to mature faster and rot in a shorter period of time.

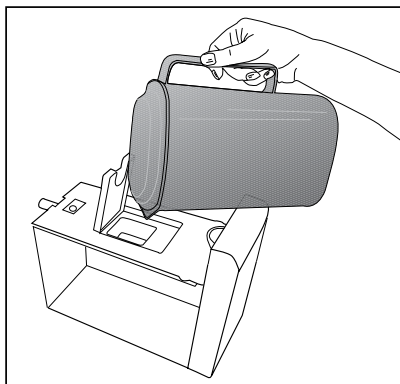
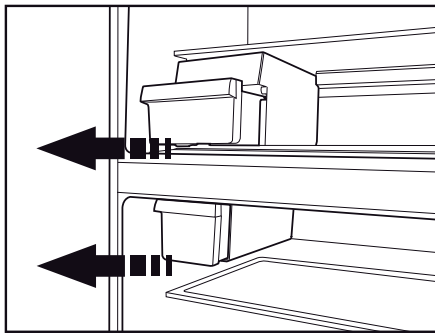
5.13. Automatic ice machine (Optional)

Automatic ice machine enables you to easily make ice in your refrigerator. In order to obtain ice from the ice machine, take out the water tank in the cooler compartment, fill it with water and fix it back.

First ice will be ready in about 2 hours in the ice machine drawer in the cooler compartment. After placing the full water tank, you can obtain about 60-70 cubes of ice until it is fully empty. If the water in the tank has waited for 2-3 weeks, it should be changed.



In products with automatic ice machine, you might hear a sound when pouring the ice. This sound is normal and is not a sign of failure.



Using the product

5.14. Icematic and ice storage container

*optional

Using the Icematic

Fill the Icematic with water and place it into its seat. Your ice will be ready approximately in two hours. Do not remove the Icematic from its seating to take ice.

Turn the knobs on the ice reservoirs clockwise by 90 degrees.

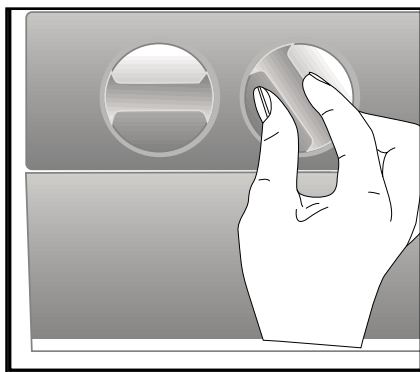
Ice cubes in the reservoirs will fall down into the ice storage container below.

You may take out the ice storage container and serve the ice cubes.

If you wish, you may keep the ice cubes in the ice storage container.

Ice storage container

Ice storage container is only intended for accumulating the ice cubes. Do not put water in it. Otherwise, it will break.



5.15. Using the water dispenser

*optional



It is normal for the first few glasses of water taken from the dispenser to be warm.

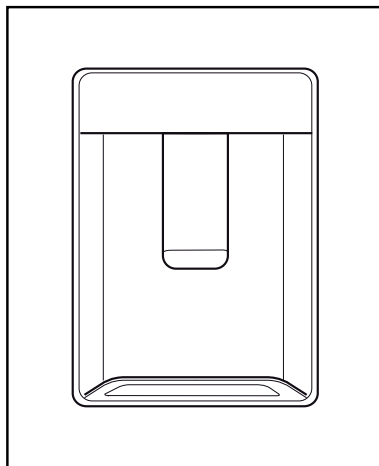


If the water dispenser is not used for a long period of time, dispose of first few glasses of water to obtain fresh water.

1. Push in the lever of the water dispenser with your glass. If you are using a soft plastic cup, pushing the lever with your hand will be easier.
2. After filling the cup up to the level you want, release the lever.



Please note, how much water flows from the dispenser depends on how far you depress the lever. As the level of water in your cup / glass rises, gently reduce the amount of pressure on the lever to avoid overflow. If you slightly press the arm, the water will drip; this is quite normal and not a failure.



Using the product

5.16. Filling the water dispenser's tank

Water tank filling reservoir is located inside the door rack.

1. Open the cover of the tank.
2. Fill the tank with fresh drinking water.
3. Close the cover.



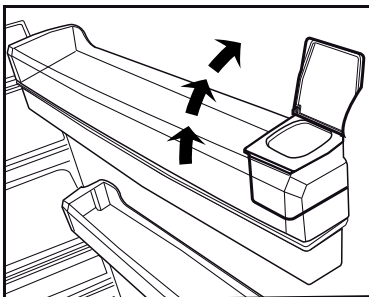
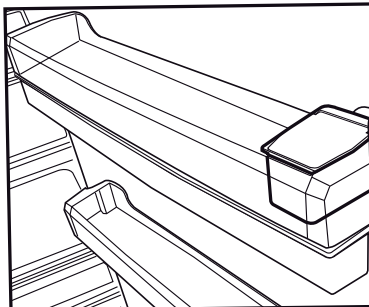
Do not fill the water tank with any other liquid except for water such as fruit juices, carbonated beverages or alcoholic drinks which are not suitable to use in the water dispenser. Water dispenser will be irreparably damaged if these kinds of liquids are used. Warranty does not cover such usages. Some chemical substances and additives contained in these kinds of drinks/liquids may damage the water tank.



Use clean drinking water only.



Capacity of the water tank is 3 litres; do not overfill.



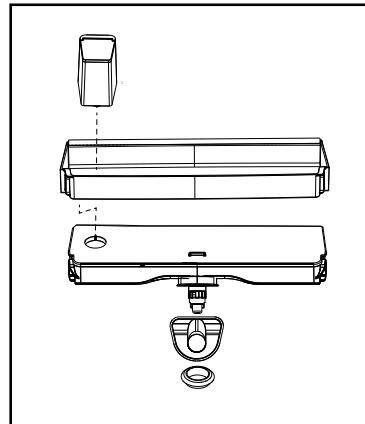
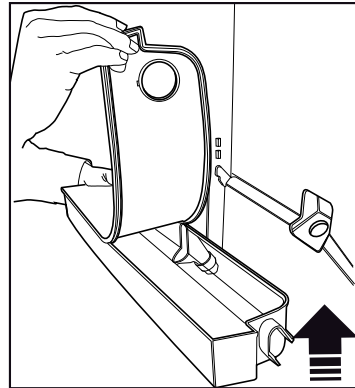
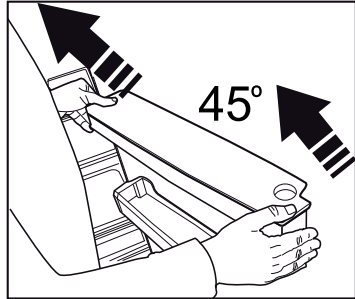
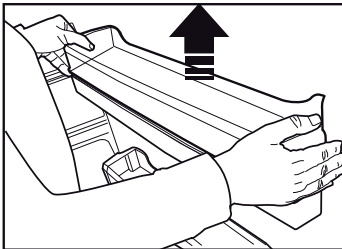
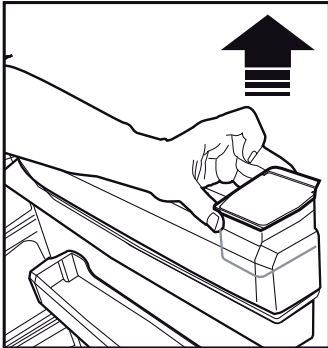
Using the product

5.17. Cleaning the water tank

1. Remove the water filling reservoir inside the door rack.
2. Remove the door rack by holding from both sides.
3. Grab the water tank from both sides and remove it with an angle of 45°.
4. Remove the cover of the water tank and clean the tank.



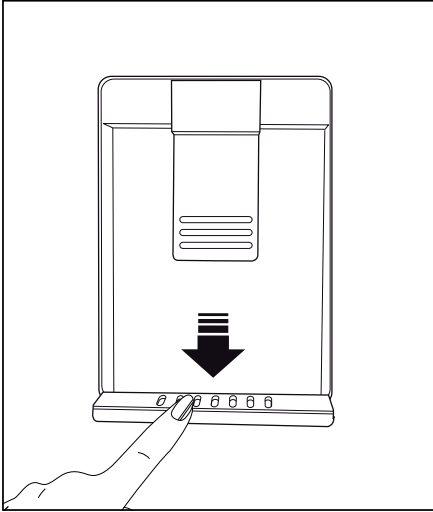
Components of the water tank and water dispenser should not be washed in dishwasher.



Using the product

5.18.Drip tray

Water that dripped while using the water dispenser accumulates in the spillage tray. Remove the plastic filter as shown in the figure. With a clean and dry cloth, remove the water that has accumulated.



Using the product

5.19. Freezing fresh food

- To preserve food quality, the food items placed in the freezer compartment must be frozen as quickly as possible, use the rapid freezing for this.
- Freezing the food items when fresh will extend the storage time in the freezer compartment.
- Pack the food items in air-tight packs and seal tightly.
- Make sure the food items are packed before putting in the freezer. Use freezer holders, tinfoil and damp-proof paper, plastic bag or similar packaging materials instead of traditional packaging paper.



Ice in the freezing compartment thaws automatically.

- Mark each food pack by writing the date on the package before freezing. This will allow you to determine the freshness of each pack every time the freezer is opened. Keep the earlier food items in the front to ensure they are used first.
- Frozen food items must be used immediately after defrosting and should not be frozen again.
- Do not freeze large quantities of food at once.

5.20. Recommendations for storing frozen foods

The compartment must be set to at least -18°C.

1. Place the food items in the freezer as quickly as possible to avoid defrosting.
2. Before freezing, check the “Expiry Date” on the package to make sure it is not expired.
3. Make sure the food’s packaging is not damaged.

Freezer Compartment Temperature Setting	Cooler Compartment Temperature Setting	Details
-18°C	4°C	This is the default, recommended setting.
-20, -22 or -24°C	4°C	These settings are recommended for ambient temperatures exceeding 30°C.
Quick Freeze	4°C	Use when you want to freeze your food in a short time. When the process ends, the product will regain its position.
-18°C or colder	2°C	Use these settings if you believe the cooler compartment is not cold enough due to ambient temperature or frequently opening the door.

Using the product

5.21. Deep freezer details

As per the IEC 62552 standards, the freezer must have the capacity to freeze 4,5 kg of food items at -18°C or lower temperatures in 24 hours for each 100 litres of freezer compartment volume.

Food items can only be preserved for extended periods at or below temperature of -18°C .

You can keep the foods fresh for months (in deep freezer at or below temperatures of 18°C).

The food items to be frozen must not contact the already-frozen food inside to avoid partial defrosting.

Boil the vegetables and filter the water to extend the frozen storage time. Place the food in air-tight packages after filtering and place in the freezer. Bananas, tomatoes, lettuce, celery, boiled eggs, potatoes and similar food items should not be frozen. In case this food rots, only nutritional values and eating qualities will be negatively affected. A rotting threatening human health is not in question.

5.22.Placing the food

Freezer compartment shelves	Various frozen goods including meat, fish, ice cream, vegetables etc.
Cooler compartment shelves	Food items inside pots, capped plate and capped cases, eggs (in capped case)
Cooler compartment door shelves	Small and packed food or beverages
Vegetable bin	Fruits and vegetables
Fresh food compartment	Delicatessen (breakfast food, meat products to be consumed in short notice)

5.23.Door open alert

(Optional)

An audible alert will be heard if the product's door remains open for at least 1 minute. The audible alert will stop when the door is closed or any button on the display (if available) is pressed.

Door open alert is indicated to the user both audibly and visually. Interior lighting will turn off if the warning continues for 10 min.

5.24.Changing the opening direction of the door

You can change the direction of opening of your refrigerator depending on the location where you use it. When you need this, consult the closest Authorized Service.

The explanation above is a general statement. You should check the warning tag located inside the product package about the changeability of direction of the door.

5.25.Interior light

Interior light uses a LED type lamp. Contact the authorized service for any problems with this lamp.

Lamp(s) used in this appliance cannot be used for house lighting. Intended use of this lamp is to help the user place food into the refrigerator / freezer safely and comfortably.

5.26.Blue light

*May not be available in all models

Foodstuff stored in the crispers that are enlightened with a blue light continue their photosynthesis by means of the wavelength effect of blue light and thus, preserve their freshness and increase their vitamin content.

Service life of the product is increase if it is regularly cleaned



WARNING: First unplug the product before cleaning your refrigerator.

- Never use any sharp and abrasive tools, soap, household cleaners, detergent and wax polish for cleaning.
- Dissolve one teaspoon of carbonate in half liter of water. Soak a cloth with the solution and wrung it thoroughly. Wipe the interior of the appliance with this cloth and the dry thoroughly.
- Make sure that no water enters the lamp housing and other electrical items.
- Clean the door with a damp cloth. To remove door and body shelves, remove all of its contents. Remove door shelves by moving them upwards. After cleaning, slide them from top to bottom to install.
- Never use cleaning agents or water that contain chlorine to clean the outer surfaces and chromium coated parts of the product. Chlorine causes corrosion on such metal surfaces.
- Do not use sharp, abrasive tools, soap, household cleaning agents, detergents, kerosene, fuel oil, varnish etc. to prevent removal and deformation of the prints on the plastic part. Use lukewarm water and a soft cloth for cleaning and then wipe it dry.

6.1. Avoiding bad odors

Materials that may cause odor are not used in the production of our appliances. However, due to inappropriate food preserving conditions and not cleaning the inner surface of the appliance as required can bring forth the problem of odor.

Therefore, clean the refrigerator with carbonate dissolved in water every 15 days.

- Keep the food in closed containers. Microorganisms spreading out from uncovered containers can cause unpleasant odours.
- Never keep the food that have expired best before dates and spoiled in the refrigerator.

6.2. Protecting the plastic surfaces

Clean with arm water immediately as the oil may cause damage on the surface when it is poured on plastic surfaces.

6.3. Door Glasses

Remove the protective foil on the glasses.

There is a coating on the surface of the glasses. This coating minimizes the stain build-up and helps to remove the possible stains and dirt easily. Glasses that are not protected with such a coating may be subject to persistent binding of air or water based organic or inorganic dirt such as limescale, mineral salts, unburned hydrocarbons, metal oxides and silicones that can easily and quickly cause stains or material damage. Keeping the glass clean becomes too difficult despite the regular cleaning. Consequently, the appearance and the transparency of the glass deteriorates. Harsh and corrosive cleaning methods and compounds will intensify these defects and speed up the deterioration process.

Water-based cleaning products that are not alkaline and corrosive must be used for regular cleaning purposes. Non-alkaline and non-corrosive materials must be used for cleaning so that the service life of this coating lasts for a long time.

These glasses are tempered to increase their durability against impacts and breaking. A safety film is also applied to their rear surfaces as an extra safety measure in order to prevent them from causing damage to their surrounding in case of a breakage.

*Alkali is a base that forms hydroxide ions (OH⁻) when it is dissolved in water.

Li (Lithium), Na (Sodium), K (Potassium) Rb (Rubidium), Cs (Cesium) and artificial and radioactive Fr (Francium) metals are called ALKALI METALS.

7 Troubleshooting

Check this list before contacting the service. Doing so will save you time and money. This list includes frequent complaints that are not related to faulty workmanship or materials. Certain features mentioned herein may not apply to your product.

The refrigerator is not working.

- The power plug is not fully settled. >>> Plug it in to settle completely into the socket.
- The fuse connected to the socket powering the product or the main fuse is blown. >>> Check the fuses.

Condensation on the side wall of the cooler compartment (MULTI ZONE, COOL, CONTROL and FLEXI ZONE).

- The door is opened too frequently >>> Take care not to open the product's door too frequently.
- The environment is too humid. >>> Do not install the product in humid environments.
- Foods containing liquids are kept in unsealed holders. >>> Keep the foods containing liquids in sealed holders.
- The product's door is left open. >>> Do not keep the product's door open for long periods.
- The thermostat is set to too low temperature. >>> Set the thermostat to appropriate temperature.

Compressor is not working.

- In case of sudden power failure or pulling the power plug off and putting back on, the gas pressure in the product's cooling system is not balanced, which triggers the compressor thermic safeguard. The product will restart after approximately 6 minutes. If the product does not restart after this period, contact the service.
- Defrosting is active. >>> This is normal for a fully-automatic defrosting product. The defrosting is carried out periodically.
- The product is not plugged in. >>> Make sure the power cord is plugged in.

- The temperature setting is incorrect. >>> Select the appropriate temperature setting.
- The power is out. >>> The product will continue to operate normally once the power is restored.

The refrigerator's operating noise is increasing while in use.

- The product's operating performance may vary depending on the ambient temperature variations. This is normal and not a malfunction.

The refrigerator runs too often or for too long.

- The new product may be larger than the previous one. Larger products will run for longer periods.
- The room temperature may be high. >>> The product will normally run for long periods in higher room temperature.
- The product may have been recently plugged in or a new food item is placed inside. >>> The product will take longer to reach the set temperature when recently plugged in or a new food item is placed inside. This is normal.
- Large quantities of hot food may have been recently placed into the product. >>> Do not place hot food into the product.
- The doors were opened frequently or kept open for long periods. >>> The warm air moving inside will cause the product to run longer. Do not open the doors too frequently.
- The freezer or cooler door may be ajar. >>> Check that the doors are fully closed.
- The product may be set to temperature too low. >>> Set the temperature to a higher degree and wait for the product to reach the adjusted temperature.
- The cooler or freezer door washer may be dirty, worn out, broken or not properly settled. >>> Clean or replace the washer. Damaged / torn door washer will cause the product to run for longer periods to preserve the current temperature.

Troubleshooting

The freezer temperature is very low, but the cooler temperature is adequate.

- The freezer compartment temperature is set to a very low degree. >>> Set the freezer compartment temperature to a higher degree and check again.

The cooler temperature is very low, but the freezer temperature is adequate.

- The cooler compartment temperature is set to a very low degree. >>> Set the freezer compartment temperature to a higher degree and check again.

The food items kept in cooler compartment drawers are frozen.

- The cooler compartment temperature is set to a very low degree. >>> Set the freezer compartment temperature to a higher degree and check again.

The temperature in the cooler or the freezer is too high.

- The cooler compartment temperature is set to a very high degree. >>> Temperature setting of the cooler compartment has an effect on the temperature in the freezer compartment. Wait until the temperature of relevant parts reach the sufficient level by changing the temperature of cooler or freezer compartments.
- The doors were opened frequently or kept open for long periods. >>> Do not open the doors too frequently.
- The door may be ajar. >>> Fully close the door.
- The product may have been recently plugged in or a new food item is placed inside. >>> This is normal. The product will take longer to reach the set temperature when recently plugged in or a new food item is placed inside.
- Large quantities of hot food may have been recently placed into the product. >>> Do not place hot food into the product.

Shaking or noise.

- The ground is not level or durable. >>> If the product is shaking when moved slowly, adjust the stands to balance the product. Also make sure the ground is sufficiently durable to bear the product.
- Any items placed on the product may cause noise. >>> Remove any items placed on the product.

The product is making noise of liquid flowing, spraying etc.

- The product's operating principles involve liquid and gas flows. >>> This is normal and not a malfunction.

There is sound of wind blowing coming from the product.

- The product uses a fan for the cooling process. This is normal and not a malfunction.

There is condensation on the product's internal walls.

- Hot or humid weather will increase icing and condensation. This is normal and not a malfunction.
- The doors were opened frequently or kept open for long periods. >>> Do not open the doors too frequently; if open, close the door.
- The door may be ajar. >>> Fully close the door.

There is condensation on the product's exterior or between the doors.

- The ambient weather may be humid, this is quite normal in humid weather. >>> The condensation will dissipate when the humidity is reduced.

The interior smells bad.

- The product is not cleaned regularly. >>> Clean the interior regularly using sponge, warm water and carbonated water.
- Certain holders and packaging materials may cause odour. >>> Use holders and packaging materials without free of odour.
- The foods were placed in unsealed holders. >>> Keep the foods in sealed holders.

Troubleshooting

Micro-organisms may spread out of unsealed food items and cause malodour. Remove any expired or spoilt foods from the product.

The door is not closing.

- Food packages may be blocking the door. >>> Relocate any items blocking the doors.
- The product is not standing in full upright position on the ground. >>> Adjust the stands to balance the product.
- The ground is not level or durable. >>> Make sure the ground is level and sufficiently durable to bear the product.

The vegetable bin is jammed.

- The food items may be in contact with the upper section of the drawer. >>> Reorganize the food items in the drawer.

If The Surface Of The Product Is Hot.

- High temperatures may be observed between the two doors, on the side panels and at the rear grill while the product is operating. This is normal and does not require service maintenance! Be careful when touching these areas.



WARNING:

If the problem persists after following the instructions in this section, contact your vendor or an Authorised Service. Do not try to repair the product.

Gentile cliente,

ci piacerebbe che lei potesse raggiungere un livello di efficacia ottimale dal nostro prodotto, che è stato realizzato in una struttura moderna, adottando controlli meticolosi a livello qualitativo.

A tal fine la invitiamo a leggere con attenzione il manuale dell'utente prima di iniziare a servirsi del dispositivo. La invitiamo altresì a conservare il presente manuale per poterlo consultare in futuro. Qualora dovesse cedere il prodotto a terzi, consigliamo di accludere il presente manuale.

Il manuale dell'utente garantisce un utilizzo veloce e sicuro dell'apparecchiatura.

- Consigliamo di leggere il manuale dell'utente prima di installare e mettere in funzione l'apparecchiatura.
- Rispettare sempre le istruzioni di sicurezza.
- Consigliamo di tenere la guida dell'utente a portata di mano per poterla consultare in futuro.
- La invitiamo a leggere gli altri eventuali documenti forniti con l'apparecchiatura

Ricordi che questo manuale può riferirsi a diversi modelli. Il manuale indica chiaramente le eventuali variazioni da un modello all'altro.

Simboli e note

Nel manuale sono utilizzati i seguenti simboli:

	Informazioni importanti e consigli utili.
	Rischio di vita e proprietà.
	Rischio di scosse elettriche.
	L'imballaggio del prodotto è fatto di materiali riciclabili, in conformità con la Normativa Ambientale Nazionale.

1. Istruzioni relative a sicurezza e ambiente **3**

1.1 Norme di sicurezza generali	3
1.1.1 Avvertenza HC.	4
1.1.2 Per i modelli con la fontana d'acqua.	5
1.2 Impiego conforme allo scopo previsto	5
1.3 Sicurezza bambini	5
1.4 Conformità con la Direttiva WEEE e smaltimento dei prodotti di scarico.	5
1.5 Conformità con la direttiva RoHS.	6
1.6 Informazioni sull'imballaggio.	6

2 Frigorifero **7**

3. Installazione **8**

3.1 Luogo idoneo per l'installazione.	8
3.2 Prima di avviare il frigorifero	8
3.3 Collegamenti elettrici.	9
3.4 Regolazione dei piedini	9
3.5 Inversione degli sportelli	10
3.6 Inversione degli sportelli	11

4 Preparazione **12**

4.1 Cose da fare ai fini del risparmio energetico	12
4.2 Uso iniziale.	12

5 Utilizzo del frigorifero **13**

5.1. Pulsante di impostazione della temperatura	13
5.2. Surgelamento veloce	13
5.3. Funzione Holiday	14
5.4. Pannello dei comandi	15
5.5. Pannello dei comandi	17
5.6. Secchiello del ghiaccio	20
(Questa funzione è opzionale).	20
5.7. Scomparto per le uova	20
5.8. Ventola	20
5.9. Cestino per verdure.	20

(Questa funzione è opzionale).	20
5.10. Scomparto zero gradi	20
(Questa funzione è opzionale).	20
5.11. Ripiano mobile sportello	21
5.12. Scomparto scorrevole per la conservazione (Questa funzione è opzionale).	21
5.13. Cestino per verdure a umidità controllata (Questa funzione è opzionale).	22
5.14. Macchina del ghiaccio automatica	22
(Questa funzione è opzionale).	22
5.15. Icematic e contenitore per conservare il ghiaccio.	23
(Questa funzione è opzionale)	23
5.16. Erogatore d'acqua	23
5.17. Uso dell'erogatore d'acqua.	24
5.18. Pulizia del serbatoio dell'acqua	25
5.20. HerbBox/HerbFresh	26
5.19. Vaschetta per l'acqua.	26
5.21. Consigli per conservare alimenti surgelati	27
5.22. Dettagli congelatore	27
5.23. Posizionamento degli alimenti.	28
5.24. Avvertenza sportello aperto.	28
5.25. Cambiare la lampadina di illuminazione	28

6. Pulizia e manutenzione **29**

6.1. Evitare i cattivi odori	29
6.2. Protezione delle superfici in plastica.	29

7. Risoluzione dei problemi **30**

1. Istruzioni relative a sicurezza e ambiente

Questa sezione fornisce le istruzioni di sicurezza necessarie per evitare il rischio di lesioni e danni materiali. Il mancato rispetto di queste istruzioni invalida tutti i tipi di garanzia esistenti sul prodotto.

Uso previsto



AVVERTENZA:

Assicurarsi che i fori di ventilazione non siano chiusi quando il dispositivo è nella sua custodia o quando lo si inserisce nel suo alloggiamento.

AVVERTENZA:

Non utilizzare alcun dispositivo meccanico o altri dispositivi per accelerare il processo di sbrinamento e seguire solo i consigli del fabbricante.

AVVERTENZA:

Non danneggiare il circuito del liquido refrigerante.

AVVERTENZA: Non utilizzare apparecchi elettrici non consigliati dal fabbricante all'interno dei vani per la conservazione degli alimenti.

AVVERTENZA: Non conservare sostanze esplosive come aerosol con gas propellenti infiammabili nell'apparecchio.

Questo apparecchio è stato progettato per applicazioni domestiche e per la seguenti applicazioni similari:

- Per essere utilizzato nelle cucine del personale di negozi, uffici e altri luoghi di lavoro;
- Per essere utilizzato dai clienti negli alberghi e nelle case di campagna, motel e altri luoghi di alloggio.
- in ambienti tipo pensioni

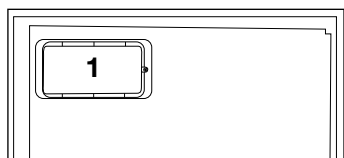
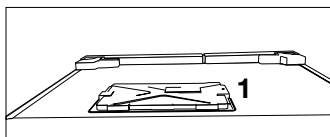
- in luoghi simili che non offrano servizi di ristorazione e non siano di vendita al dettaglio.

1.1 Norme di sicurezza generali

- Questo prodotto non dovrebbe essere usato da persone con disabilità a livello fisico, sensoriale e mentale, da persone senza un quantitativo sufficiente di conoscenze ed esperienza e da bambini. Queste persone potranno usare il dispositivo unicamente sotto la supervisione e le istruzioni di una persona responsabile della loro sicurezza. Ai bambini non dovrebbe essere consentito di giocare con questo dispositivo.
- In caso di malfunzionamento, scollegare il dispositivo.
- Dopo aver scollegato il dispositivo, attendere almeno cinque minuti prima di collegarlo nuovamente. Scollegare il prodotto se non viene usato. Non toccare la presa con le mani umide! Non tirare il cavo per eseguire lo scollegamento; prenderlo sempre per la spina.
- Non collegare il frigorifero se la presa sembra essere allentata.
- Scollegare il prodotto in fase di installazione, manutenzione, pulizia e riparazione.
- Qualora si preveda di non utilizzare il prodotto per un po' di tempo, scollegarlo ed estrarre gli eventuali elementi contenuti al suo interno.
- Non usare vapore o materiali detergenti a base di vapore per la pulizia del frigorifero e per lo scioglimento del ghiaccio al suo interno. Il vapore potrebbe entrare in contatto con le aree sotto tensione elettrica e causare cortocircuiti o scosse elettriche!
- Non lavare il prodotto spruzzando o versando acqua sullo stesso! Pericolo di scossa elettrica!

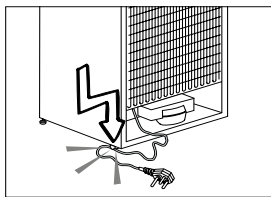
Istruzioni relativamente a sicurezza e ambiente

- Non usare mai il prodotto se la sezione che si trova sulla parte superiore o posteriore del prodotto, con le schede dei circuiti elettronici stampati all'interno, è aperta (coprire schede dei circuiti elettronici stampati) (1).



- In caso di malfunzionamento, non usare il prodotto, dato che potrebbe emettere scosse elettriche. Contattare il servizio autorizzato prima di intervenire.
- Collegare il prodotto a una presa che disponga di messa a terra. L'operazione di messa a terra deve essere eseguita da un elettricista qualificato.
- Qualora il prodotto disponga di un'illuminazione a LED, contattare l'assistenza autorizzata per la sostituzione.
- Non toccare alimenti congelati con le mani bagnate! Gli alimenti si potrebbero attaccare alle mani!
- Non posizionare liquidi in bottiglie o lattine all'interno dello scomparto congelatore. Potrebbero esplodere!
- Collocare i liquidi in posizione verticale dopo aver saldamente chiuso il tappo.
- Non spruzzare sostanze infiammabili vicino al prodotto. Potrebbero

- bruciare o esplodere!
- Non conservare materiali e prodotti infiammabili, come ad esempio spray, all'interno del frigorifero.
- Non collocare contenitori di liquidi sopra al prodotto. Gli spruzzi su parti sotto tensione potrebbero provocare scosse elettriche e rischio di incendio.
- L'esposizione del prodotto a pioggia, neve, sole e vento potrebbe causare pericoli a livello elettrico. Qualora sia necessario spostare il prodotto, non tirarlo per la maniglia della porta. La maniglia si potrebbe staccare.
- Evitare che parti delle mani o del corpo restino impigliate nei meccanismi mobili all'interno del prodotto.
- Non calpestare o appoggiarsi a porta, cassetti e altre componenti del frigorifero. Così facendo il prodotto potrebbe cadere e si potrebbe danneggiare.
- Fare attenzione a non bloccare il cavo di alimentazione.



1.1.1 Avvertenza HC

Qualora il prodotto sia dotato di sistema di raffreddamento che utilizza il gas R600a, fare attenzione ad evitare di danneggiare il sistema di raffreddamento e il relativo tubo in fase di utilizzo e spostamento del prodotto. Questo gas è infiammabile. Se viene danneggiato il sistema di raffreddamento, tenere il prodotto lontano da fonti di calore e provvedere immediatamente ad arieggiare la stanza.

Istruzioni relativamente a sicurezza e ambiente



Sul lato sinistro interno è indicato il tipo di gas usato nel prodotto.

1.1.2 Per i modelli con la fontana d'acqua

- La pressione di ingresso dell'acqua fredda dovrebbe essere al massimo 90 psi (620 kPa). Qualora la pressione dell'acqua superi il valore 80 psi (550 kPa), usare una valvola di limitazione della pressione nel sistema principale. Qualora non si sappia come verificare la pressione dell'acqua, chiedere aiuto a un idraulico professionista.
- In caso di rischio dell'effetto 'colpo d'ariete' nel proprio impianto, usare la strumentazione adatta per ridurre la probabilità di accadimento. Rivolgersi a idraulici professionisti in caso di dubbio relativamente alla presenza o meno dell'effetto 'colpo d'ariete' nel proprio impianto.
- Non installare l'ingresso dell'acqua calda. Prendere precauzioni contro il rischio di congelamento dei tubi. La gamma di funzionamento della temperatura dell'acqua dovrebbe essere 33°F (0.6°C) come minimo e 100°F (38°C) al massimo.
- Utilizzare solo acqua potabile.

1.2 Impiego conforme allo scopo previsto

- Questo prodotto è stato pensato per essere utilizzato in ambito domestico. Non è stato pensato per un uso di tipo commerciale.
- Il prodotto dovrebbe essere usato unicamente per la conservazione di alimenti e bevande.
- Non tenere prodotti dedicati, che richiedano temperature controllate, quali ad esempio vaccini, farmaci

sensibili al calore, all'interno del frigorifero.

- Il produttore non si assume nessuna responsabilità per gli eventuali danni causati da un cattivo uso o da un uso scorretto.
- I pezzi di ricambio originali verranno forniti per 10 anni, successivamente alla data di acquisto del prodotto.

1.3 Sicurezza bambini

- Tenere gli imballaggi fuori dalla portata dei bambini.
- Non permettere ai bambini di giocare con il prodotto.
- Qualora la porta del prodotto comprenda un lucchetto, tenere la chiave fuori dalla portata dei bambini.

1.4 Conformità con la Direttiva WEEE e smaltimento dei prodotti di scarico

Questo prodotto è conforme alla direttiva WEEE dell'UE (2012/19/EU). Questo prodotto è dotato di un simbolo di classificazione per i prodotti elettrici ed elettronici di scarto (WEEE).



Il prodotto è stato realizzato con componenti e materiali di alta qualità che possono essere riutilizzati oltre che riciclati. Non smaltire il prodotto con i normali rifiuti domestici e altri rifiuti al termine del suo ciclo di vita utile.

Portare il prodotto a un centro di raccolta per il riciclaggio della strumentazione elettrica ed elettronica. Consigliamo di rivolgersi alle autorità locali per ulteriori informazioni su questi centri di raccolta.

Istruzioni relativamente a sicurezza e ambiente

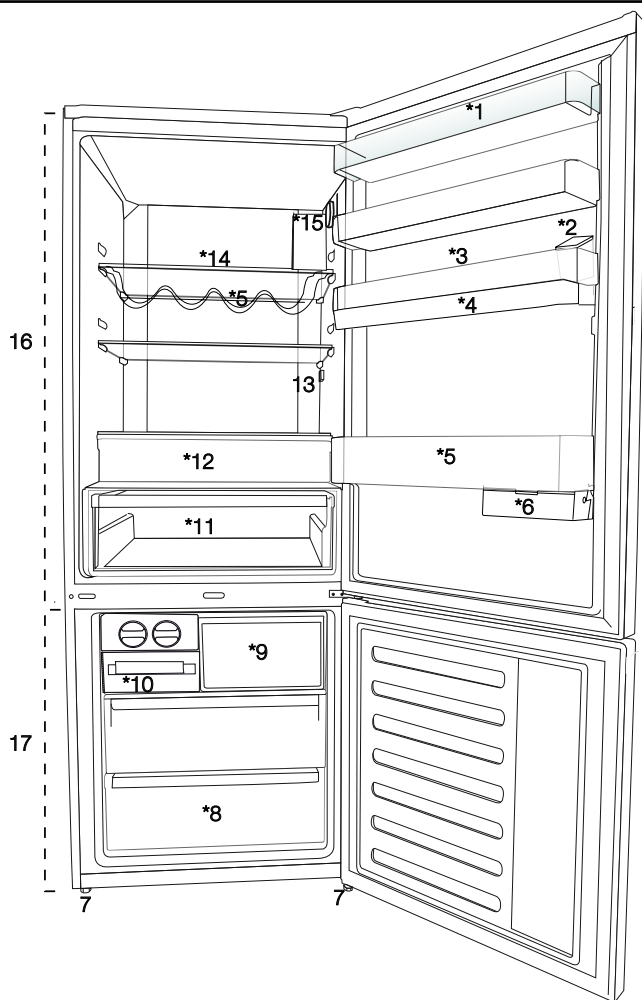
1.5 Conformità con la direttiva RoHS

- Questo prodotto è conforme alla direttiva WEEE dell'UE (2011/65/EU). Non contiene materiali dannosi e proibiti, indicati nella Direttiva.

1.6 Informazioni sull'imballaggio

- I materiali che compongono l'imballo del prodotto sono realizzati a partire da materiali riciclabili in conformità con le Normative Ambientali Nazionali. Non smaltire i materiali dell'imballo congiuntamente ai rifiuti domestici o ad altri rifiuti. Portarli presso i punti di raccolta imballaggi indicati dalle autorità locali.

2 Frigorifero



1. Ripiano sportello scomparto Coolerraggruppamento
2. Contenitore riempimento erogatore acqua
3. Porta uova
4. Serbatoio erogatore acqua
5. Ripiano bottiglie
6. Contenitori scorrevoli per la conservazione
7. Piedini regolabili
8. Scomparto freezer
9. Scomparto Quick Freeze
10. Portaggiaccio & banca Ice
11. Cestino per verdure
12. Scomparto zero gradi
13. Luce interna
14. Ripiano di vetro scomparto Cooler
15. Pulsante di regolazione della temperatura
16. Scomparto Cooler
17. Scomparto freezer



*Opzionale: Le figure in questo manuale utente sono schematiche, e potrebbero non corrispondere esattamente al prodotto. Qualora il prodotto non contenga le parti descritte, l'informazione riguarda altri modelli.

3. Installazione

3.1 Luogo idoneo per l'installazione

Rivolgersi al Servizio Autorizzato per l'installazione del prodotto. Per rendere il prodotto pronto per essere installato, confrontare le informazioni nella guida dell'utente e accertarsi che i servizi elettrici e idrici siano presenti. In caso contrario contattare un elettricista e un idraulico per rendere questi servizi conformi ai requisiti.



AVVERTENZA: Il produttore non si assume nessuna responsabilità per gli eventuali danni causati dagli interventi eseguiti da personale non autorizzato.



AVVERTENZA: Il cavo di alimentazione del prodotto deve essere scollegato in fase di utilizzo. Il mancato rispetto di queste istruzioni potrebbe provocare morte o altre gravi lesioni!



AVVERTENZA: Qualora la porta sia troppo stretta per consentire il passaggio del prodotto, togliere la porta e ruotarla; qualora ciò non funzioni, contattare il servizio autorizzato.



AVVERTENZA: Avvertenza superficie calda
Le pareti laterali del prodotto sono dotate di tubi refrigeranti per migliorare il sistema di raffreddamento. Il refrigerante a temperature elevate potrebbe scorrere in queste aree, causando così superfici calde sulle pareti laterali. Non si tratta di un'anomalia di funzionamento e non sono necessari interventi di manutenzione. Fare attenzione quando si toccano queste aree

- Collocare il prodotto su una superficie piana per evitare le vibrazioni.
- Collocare il prodotto ad almeno a 30 cm dal termosifone, dalla stufa e da altre fonti di calore e ad almeno 5 cm da eventuali forni elettrici.
- Non esporre il prodotto alla luce solare diretta o conservare in ambienti umidi.

- Il prodotto richiede una circolazione adeguata dell'aria per funzionare in modo efficace. Qual'ora il prodotto venga posizionato in un pavidigione estivo, ricordare di lasciare una distanza di almeno 5 cm fra il prodotto, il soffitto, e le pareti.
- Non installare il prodotto in ambienti con temperature inferiori ai 5°.

3.2 Prima di avviare il frigorifero

Controllare quanto segue prima di utilizzare il frigorifero:

- 1.** Montare i 2 cunei in plastica come illustrato sotto. I cunei in plastica servono a mantenere la distanza che assicura la circolazione dell'aria tra frigorifero e parete. (L'immagine è creata per illustrare e non è identica all'apparecchio).
- 2.** Pulire la parte interna del frigorifero come consigliato nella sezione "Manutenzione e pulizia".
- 3.** Collegare la spina del frigorifero alla presa elettrica. Quando lo sportello del frigorifero è aperto, la lampadina interna si accende.
- 4.** Quando il compressore comincia a funzionare, si sente un rumore. I liquidi e i gas sigillati nel sistema refrigerante possono produrre dei rumori, anche se il compressore non è in funzione; questo è abbastanza normale.
- 5.** I bordi anteriori del frigorifero possono essere tiepidi. Questo è normale. Queste zone sono progettate per essere tiepide per evitare la condensazione.

Installazione

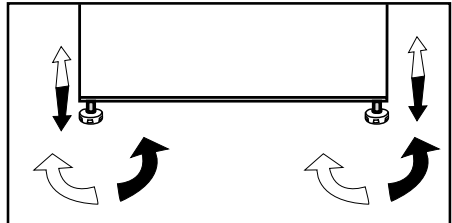
3.3 Collegamenti elettrici

Collegare il frigorifero ad una presa di messa a terra protetta da un fusibile della capacità appropriata. Importante:

- Il collegamento deve essere conforme ai regolamenti nazionali.
- La spina elettrica deve essere facilmente accessibile dopo l'installazione.
- La sicurezza elettrica del frigorifero è garantita unicamente se il sistema di messa a terra dell'apparecchiatura è conforme agli standard.
- La tensione dichiarata sull'etichetta che si trova nel lato interno a sinistra dell'apparecchio deve essere pari alla tensione di rete

3.4 Regolazione dei piedini

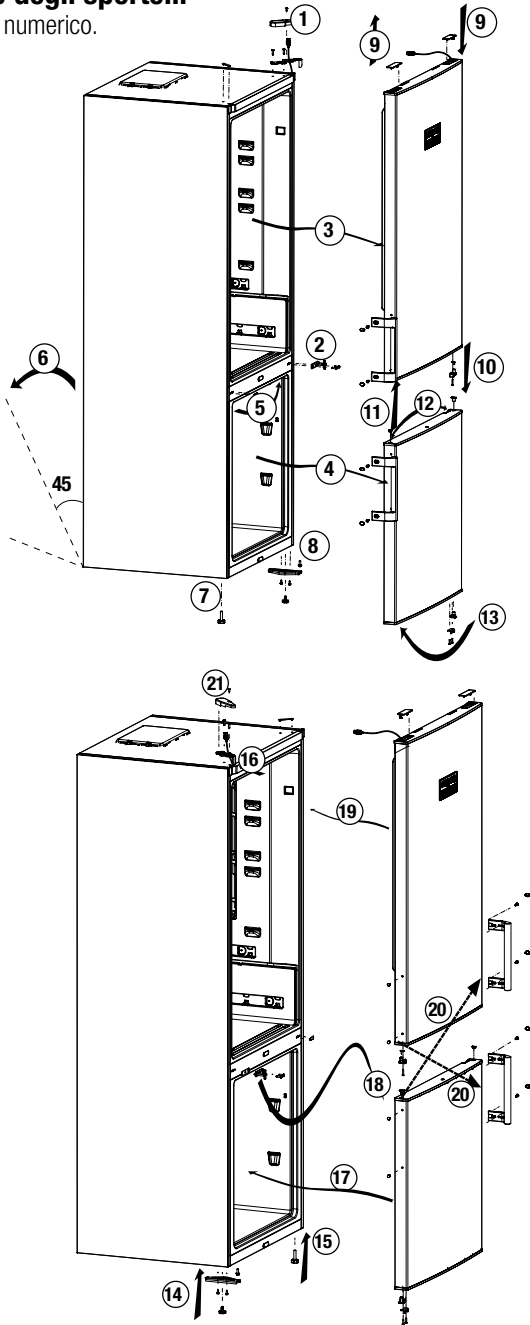
Se il frigorifero non è in equilibrio: è possibile bilanciare il frigorifero ruotando i piedini anteriori come illustrato in figura. L'angolo in cui i piedini sono più bassi quando girati in direzione della freccia nera e rialzati quando girati in direzione opposta. Un aiuto per sollevare leggermente il frigorifero faciliterà tale processo.



Installazione

3.5 Inversione degli sportelli

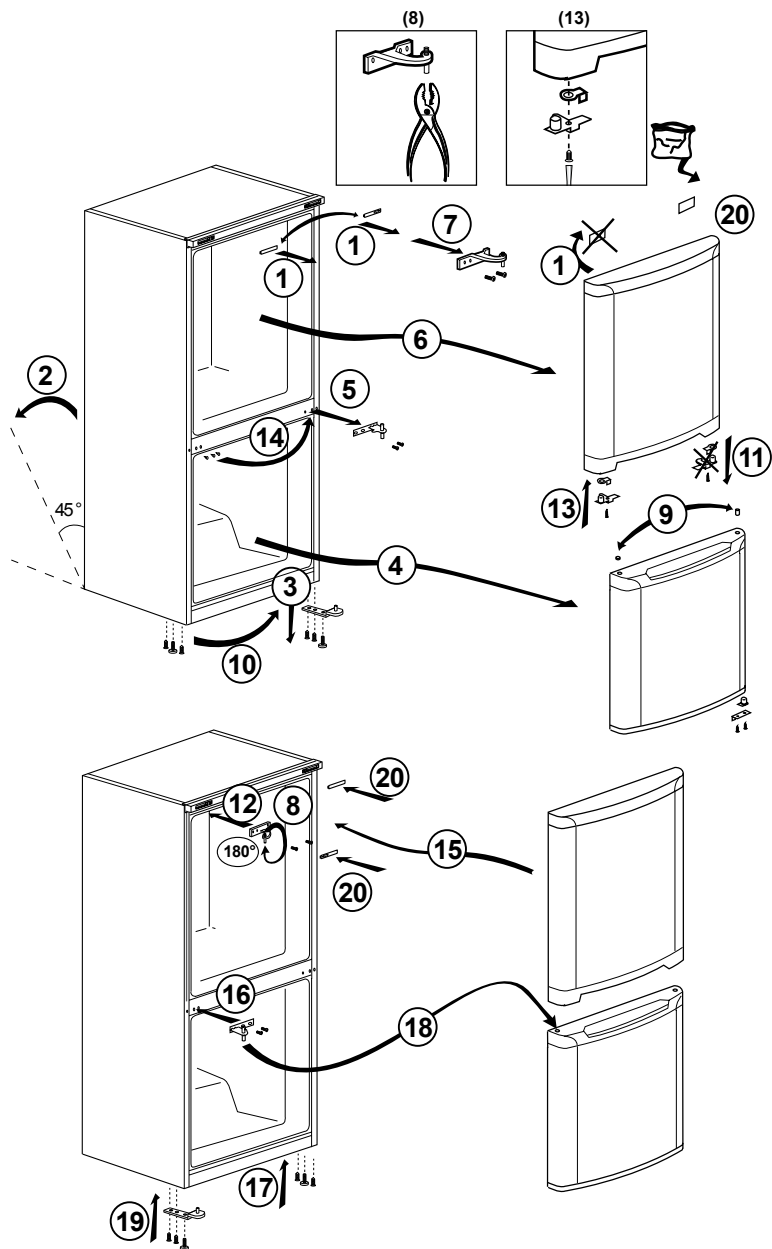
Procedere in ordine numerico.



Installazione

3.6 Inversione degli sportelli

Procedere in ordine numerico.



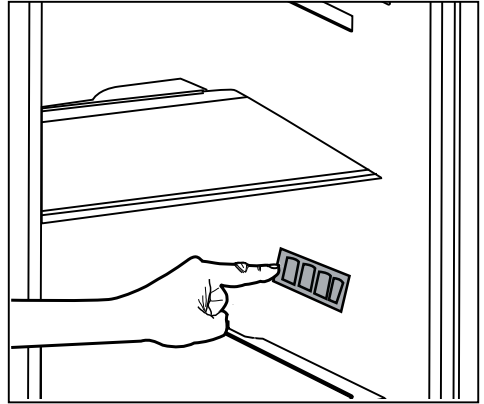
4 Preparazione

4.1 Cose da fare ai fini del risparmio energetico



La connessione dell'apparecchio a sistemi elettronici di risparmio energetico è rischiosa poiché potrebbe provocare danni all'apparecchio.

- Non lasciare lo sportello del frigorifero aperto per lunghi periodi.
- Non mettere alimenti o bevande caldi nel frigorifero.
- Non sovraccaricare il frigorifero; il blocco del flusso interno dell'aria riduce la capacità di raffreddamento.
- Per conservare la quantità massima di alimenti nello scomparto Cooler del frigorifero, bisogna estrarre i cassetti superiori e metterli sul ripiano di vetro. Il consumo energetico dichiarato per il frigorifero è stato stabilito estraendo lo scomparto Cooler, il vassoio del ghiaccio e i cassetti superiori in modo da consentire la conservazione massima. L'uso del cassetto inferiore è fortemente raccomandato. La funzione di risparmio energetico deve essere attivata per un migliore consumo energetico.
- Non bisogna bloccare il flusso dell'aria mettendo gli alimenti davanti alla ventola del Cooler. Uno spazio di almeno 3 cm deve essere lasciato davanti alla griglia della ventola protettiva quando si posizionano gli alimenti.
- A seconda delle caratteristiche dell'apparecchio, scongelare nello scomparto Cooler gli alimenti congelati assicura risparmio energetico e conserva la qualità degli alimenti.
- Gli alimenti devono essere conservati nei cassetti dello scomparto Cooler per assicurare risparmio energetico e proteggere gli alimenti in condizioni migliori.
- Le confezioni con gli alimenti non devono essere a contatto diretto con il sensore di calore che si trova nello scomparto Cooler. Se sono in contatto con il sensore, il consumo energetico dell'apparecchio potrebbe aumentare.
- Assicurarsi che gli alimenti non siano in contatto con il sensore della temperatura dello scomparto Cooler descritto sotto.



4.2 Uso iniziale

Prima di utilizzare il frigorifero, assicurarsi di eseguire le preparazioni necessarie in linea con le istruzioni delle sezioni "Istruzioni per sicurezza e ambiente" e "Installazione".

- Tenere l'apparecchio in funzione senza alimenti all'interno per 6 ore e non aprire lo sportello, a meno che non sia assolutamente necessario.



Si sente un suono quando il compressore si innesca. È normale sentire il suono anche quando il compressore non è attivo, a causa dei liquidi e dei gas compressi nel sistema di refrigerazione.



I bordi anteriori dell'apparecchio potrebbero riscaldarsi. Questo è normale. Il riscaldamento di queste parti è concepito per impedire la condensa.



In alcuni modelli il pannello indicato si spegne automaticamente 5 minuti dopo la chiusura dello sportello. Si riattiva quando lo sportello viene aperto o se viene premuto un pulsante.

5 Utilizzo del frigorifero

5.1. Pulsante di impostazione della temperatura

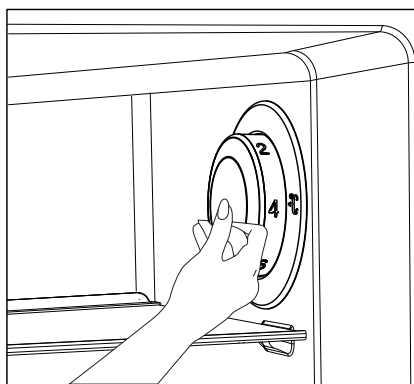
La temperatura interna del frigorifero varia a seconda dei seguenti fattori:

- Temperature stagionali,
- Apertura frequente della porta e porta che resta aperta per lunghi periodi,
- Alimenti messi in frigorifero senza essersi raffreddati a temperatura ambiente,
- Posizionamento del frigorifero nella stanza (ad es. esposto al sole).
- La temperatura interna che varia a causa di questi fattori può essere regolata tramite il pulsante di regolazione.

I numeri intorno al pulsante di regolazione indicano i gradi di temperatura in "°C".

Se la temperatura ambiente è di 20 °C, si consiglia di regolare la temperatura del frigorifero a 4 °C.

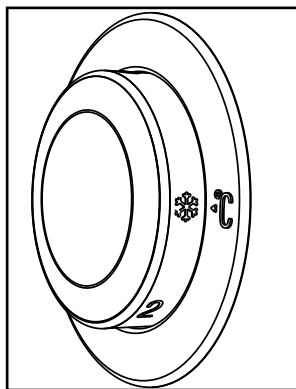
Ad altre temperature ambiente, questo valore può essere personalizzato.



5.2. Surgelamento veloce

Se si desidera congelare grandi quantità di alimenti freschi, portare il pulsante di regolazione della temperatura in posizione (❄️) prima di mettere gli alimenti nello scomparto di surgelamento veloce.

Si consiglia di tenere il pulsante in questa posizione per 24 ore, per congelare la quantità massima di alimenti, indicata come capacità di congelamento. Prestare particolare attenzione nel non mescolare insieme alimenti surgelati e freschi. Ricordarsi di riportare il pulsante di regolazione della temperatura nella posizione precedente.



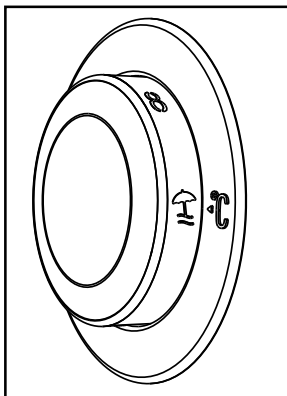
Utilizzo del frigorifero

5.3. Funzione Holiday

La funzione Holiday si attiva dopo che il pulsante di regolazione della temperatura è impostato su Holiday (☰) che è la posizione più calda.

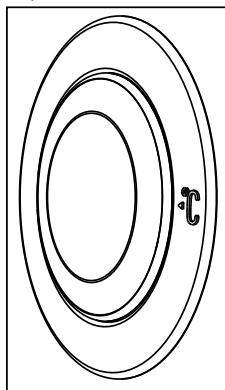
Si sconsiglia di conservare gli alimenti nello scomparto frigorifero con la funzione Holiday attiva.

L'impostazione dei pulsanti deve essere modificata per annullare la funzione.



- Al termine dell'impostazione, è possibile appiattare il pulsante di impostazione della temperatura, premendolo verso l'interno.

•

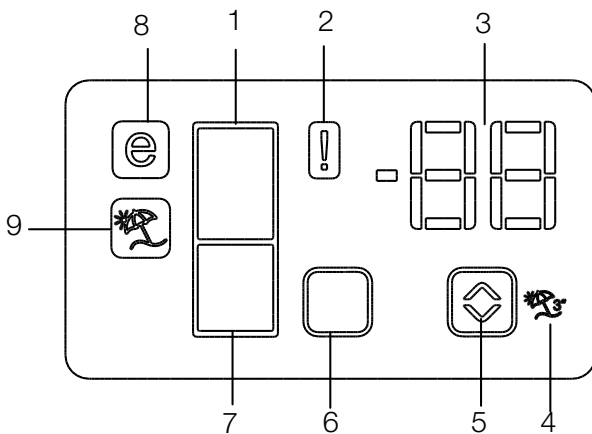


Utilizzo del frigorifero

5.4. Pannello dei comandi

I pannelli degli indicatori possono variare secondo il modello del prodotto.

Il pannello degli indicatori aiuta ad usare il frigorifero con le relative funzioni audio e visive.



1. Indicatore scomparto frigorifero
2. Indicatore di stato errore
3. Indicatore regolatore della temperatura
4. Pulsante funzione Holiday (premere il pulsante 5 per 3s)
5. Tasto impostazione temperatura
6. Tasto Selezione vano
7. Indicatore scomparto frigorifero
8. Indicatore Modalità Economy
9. Indicatore funzione vacanza

***opzionale**



*Opzionale: Le figure in questo manuale utente sono schematiche, e potrebbero non corrispondere esattamente al prodotto. Qualora il prodotto non contenga le parti descritte, l'informazione riguarda altri modelli.

Utilizzo del frigorifero

1. Indicatore scomparto frigorifero

Se si desidera impostare la temperatura del vano frigorifero, selezionare l'indicatore del vano frigorifero, col pulsante 6.

2. Indicatore di stato errore

Questo indicatore (🔔) si accende in caso di avvisi relativi alla temperatura o di guasto.

Quando la temperatura dello scomparto congelatore

aumenta fino a un livello critico per gli alimenti surgelati, questo indicatore e il display della temperatura mostrano alternativamente la di temperatura più alta e l'unità di temperatura raggiunta dal vano congelatore. Controllare gli alimenti nello scomparto congelatore. Questo display si spegne automaticamente, quando la temperatura dello scomparto congelatore si è raffreddata raggiungendo un livello adeguato.

Questo indicatore (🔔) si accende anche quando si verifica il malfunzionamento di un sensore. Quando questa spia è accesa, il display della temperatura mostra alternativamente "E" e numeri come "1, 2, 3...".

Questi numeri sul display informano il personale di servizio dell'errore.

3. Indicatore regolatore della temperatura

Mostra la temperatura impostata per il vano frigo e per il congelatore.

4. Pulsante funzione vacanza

Premere il pulsante di regolazione della temperatura 5 per

3 secondi per attivare la funzione holiday.

Quando la funzione Holiday

è attiva (🌞) si accende un indicatore quando viene selezionato il vano frigorifero, l'indicatore di temperatura mostra la scritta "- -" e nessun processo di raffreddamento sarà attivo nel vano frigorifero. Questa funzione non è adatta per conservare alimenti all'interno dello scomparto frigorifero. Il vano congelatore

continua a funzionare per raffreddare in base alla temperatura impostata.

Per annullare questa funzione, premere il pulsante di regolazione della temperatura 5 di nuovo per 3 s.

5. Tasto impostazione temperatura

Si utilizza per regolare la temperatura dello scomparto selezionato. Il vano congelatore può essere impostato tra -18 °C...- 24 °C e il vano frigorifero tra 8 °C... 1°C.

6. Tasto Selezione vano

Utilizzare il pulsante di selezione dei vani (☐) per passare tra i vani frigo e freezer.

7. Indicatore scomparto frigorifero

Se si desidera impostare la temperatura del vano congelatore, selezionare il display dello scomparto congelatore con il tasto 6.

8. Indicatore Modalità Economy

Indica il funzionamento del frigo in modalità risparmio energetico. Questo indicatore (🌞) si attiva se la temperatura del vano congelatore + impostata a -18 °C.

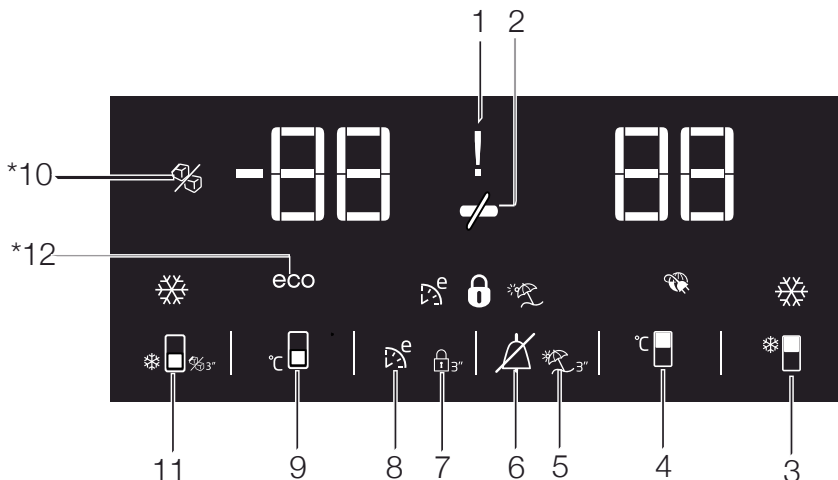
9. Indicatore funzione vacanza

Indica che la funzione vacanza (🌞) è attiva.


Utilizzo del frigorifero

5.5. Pannello dei comandi

Il pannello con gli indicatori consente di impostare la temperatura e di controllare le altre funzioni collegate all'apparecchio senza aprire lo sportello dell'apparecchio. Basta premere le scritte sui pulsanti pertinenti per l'impostazione delle funzioni.

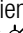



1. Avviso alta temperatura/guasto

Questo indicatore  si accende in caso di avvisi relativi alla temperatura o di guasto.

Quando la temperatura dello scomparto congelatore

sale fino a raggiungere un livello critico per gli alimenti surgelati, questo indicatore e il display della temperatura mostrano alternativamente l'unità di temperatura e la temperatura più alta raggiunta dal vano congelatore. Dopo aver controllato gli alimenti


nel vano congelatore, l'allarme viene cancellato premendo il pulsante Alarm Off (.

Questo indicatore  si accende anche quando si verifica un malfunzionamento del sensore.

Quando questa spia è accesa, il display della temperatura mostra alternativamente "E" e numeri come "1, 2, 3...".

Questi numeri sul display informano il personale di servizio dell'errore.

2. Risparmio energetico (display off)

Quando le porte del prodotto non sono aperte o chiuse, la funzione a risparmio energetico si attiva automaticamente e si accende l'icona di risparmio energetico. ()




*Opzionale: Le figure in questo manuale utente sono schematiche, e potrebbero non corrispondere esattamente al prodotto. Qualora il prodotto non contenga le parti descritte, l'informazione riguarda altri modelli.


Utilizzo del frigorifero


L'attivazione della funzione di risparmio energetico disattiverà tutti gli altri simboli sul display. Quando la funzione di risparmio energetico è attiva, premendo qualsiasi pulsante o aprendo la porta verrà disattivata la funzione di risparmio energetico e i segnali del display torneranno ai livelli normali.

La funzione di risparmio energetico è una funzione attiva per impostazione predefinita e non può essere annullata.

3. Funzione di raffreddamento rapido

Premere e rilasciare il pulsante  per attivare la funzione di raffreddamento rapido.

L'indicatore di raffreddamento rapido  si accende e l'impostazione della temperatura del vano frigorifero viene impostata su 1 °C.

Per annullare la funzione raffreddamento rapido, premere e rilasciare nuovamente il pulsante . L'indicatore di raffreddamento rapido si spegne e il prodotto ritorna alle sue normali impostazioni.




Se la funzione di raffreddamento rapido non viene annullata, essa si interrompe automaticamente dopo 1 ora.




Questa funzione non viene memorizzata dopo un'interruzione di corrente.

4. Pulsante di impostazione temperatura scomparto frigorifero

Quando viene premuto il pulsante  la temperatura del vano frigo può essere impostata rispettivamente su 8, 7, 6, 5, 4, 3, 2, 1, 8. Premere questo pulsante per impostare la temperatura del vano refrigerante sul valore desiderato della temperatura.


5. Funzione vacanza

Per attivare la funzione vacanza, premere

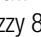
il pulsante 6, Alarm Off per 3 secondi. La funzione vacanza è attiva  e si accende l'indicatore, l'indicatore di temperatura del vano frigorifero mostra la scritta "- -" e nessun processo di raffreddamento sarà attivo nel vano frigorifero. Con questa funzione, non è opportuno mantenere il cibo nel vano frigorifero. Il vano congelatore continuerà a raffreddarsi in base alla temperatura impostata.

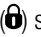
Per annullare questa funzione, premere premere il pulsante 6, Alarm Off per 3 secondi.

6. Pulsante Alarm Off

Quando viene dato l'avviso di alta temperatura, l'allarme viene annullato premendo il tasto Alarm Off  dopo aver controllato il cibo nel vano congelatore.

7. Blocco tasti


Premere il tasto Eco fuzzy 8 per 3 secondi per attivare il blocco tasti. Con il blocco tasti attivo, le spie  e i pulsanti non funzionano.

Per disattivare il blocco tasti, premere il tasto Eco fuzzy 8 per 3 secondi, l'indicatore  si spegne e i tasti ricominciano a funzionare.

Se si desidera evitare di cambiare l'impostazione della temperatura del frigorifero, premere il tasto Eco fuzzy 8 per 3 secondi.

8. Eco-fuzzy

Premere e rilasciare il pulsante eco fuzzy per attivare la funzione eco fuzzy. L'indicatore di modalità risparmio energetico


 si accenderà dopo l'attivazione della funzione. Il vano congelatore inizierà a funzionare in modalità risparmio energetico dopo 6 ore. Per disattivare la funzione eco fuzzy, premere e rilasciare il tasto funzione eco fuzzy.

Utilizzo del frigorifero


9. Pulsante di impostazione temperatura scomparto congelatore

Premendo questo pulsante

la temperatura dello scomparto congelatore può essere regolato rispettivamente su -18, -19, -20,

-21, -22, -23, -24, -18... Per impostare la temperatura del vano congelatore al valore desiderato, premere questo pulsante .

10. Indicatore produzione ghiaccio spento


Mostra lo stato della formazione di ghiaccio nella relativa macchina. Se l'indicatore  è acceso, la macchina per il ghiaccio non produce ghiaccio.




Quando questa funzione viene selezionata, l'aspirazione dell'acqua dal serbatoio dell'acqua si interrompe. Tuttavia, è possibile rimuovere il ghiaccio precedentemente formatosi nella macchina per il ghiaccio.

11. Tasto funzione congelamento rapido/interruttore macchina per il ghiaccio

Per attivare o disattivare

la funzione di congelamento rapido, premere e rilasciare questo pulsante .


Quando la funzione è attivata, l'indicatore di congelamento rapido  si accende.


La temperatura dello scomparto congelatore mostra -27.

Il vano congelatore viene raffreddato ad un valore inferiore alla temperatura impostata.

Per congelare grandi quantità di alimenti freschi, premere il tasto congelamento rapido prima di mettere il cibo nello scomparto congelatore.

Per arrestare il processo di produzione del ghiaccio della macchina, premere e tenere premuto il pulsante di congelamento rapido 11

per 3 secondi, l'indicatore  si accenderà e la formazione di ghiaccio si arresterà, dopo aver versato il ghiaccio prodotto all'interno dalla macchina del ghiaccio.

Premere e tenere premuto il pulsante di congelamento rapido 11 per 3 secondi, per far sì che la macchina del ghiaccio ricominci a produrre ghiaccio, l'indicatore  si spegnerà e la macchina del ghiaccio inizierà a produrre ghiaccio.



Utilizzare la funzione di congelamento rapido quando si desidera congelare rapidamente gli alimenti nel vano congelatore. Se si desidera congelare grandi quantità di alimenti freschi, attivare la funzione prima di inserire gli alimenti nel prodotto.




Se la funzione di congelamento rapido non viene annullata, essa si interrompe automaticamente dopo 25 ore.



Questa funzione non viene memorizzata dopo un'interruzione di corrente.

12.* Indicatore di uso a risparmio energetico

Indica che il prodotto funziona in modo efficiente dal punto di vista energetico. Quando la temperatura dello scomparto congelatore è impostata su -18 o quando il raffreddamento a efficienza energetica viene eseguito con la funzione Eco Fuzzy, questo indicatore  si accende.



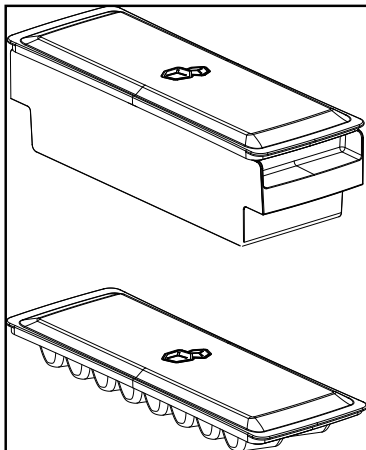
Quando sono selezionate le funzioni di raffreddamento rapido e congelamento rapido, l'indicatore di utilizzo a risparmio energetico si spegne.

Utilizzo del frigorifero

5.6. Secchiello del ghiaccio

(Questa funzione è opzionale)

- Estrarre il secchiello del ghiaccio dallo scomparto freezer.
- Riempire di acqua il secchiello del ghiaccio.
- Mettere il secchiello del ghiaccio nello scomparto freezer.
- Il ghiaccio sarà pronto dopo due ore circa. Estrarre il secchiello del ghiaccio dallo scomparto freezer e piegarlo delicatamente sul contenitore in cui sarà servito il ghiaccio. Il ghiaccio si versa facilmente nel contenitore.



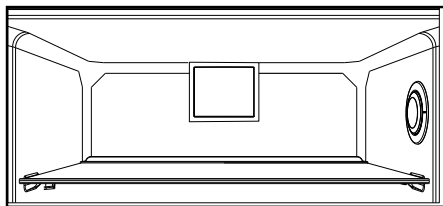
5.7. Scomparto per le uova

È possibile installare il porta uova sul ripiano desiderato della porta o del corpo.

Non porre mai il porta uova nello scomparto del freezer

5.8. Ventola

La ventola è stata concepita per garantire la circolazione dell'aria fredda all'interno del frigorifero in modo omogeneo. Il tempo di funzionamento della ventola potrebbe variare a seconda delle caratteristiche dell'apparecchio. Se in alcuni apparecchi la ventola funziona solo con il compressore, in altri il sistema di controllo determina il tempo di funzionamento sulla base dell'esigenza di raffreddamento.



5.9. Cestino per verdure

(Questa funzione è opzionale)

- Il cestino per verdure dell'apparecchio è concepito per mantenere le verdure fresche, conservando l'umidità. A questo scopo, la circolazione complessiva dell'aria fredda è più intensa nel cestino delle verdure.

5.10. Scomparto zero gradi

(Questa funzione è opzionale)

Usare questo scomparto per conservare i prodotti di gastronomia a temperatura inferiore o la carne per il consumo immediato.

Lo scomparto zero gradi è la parte più fredda in cui conservare a condizioni ideali alimenti come prodotti caseari, carne, pesce e pollo. Verdura e/o frutta non devono essere conservate in questo scomparto.

Utilizzo del frigorifero

5.11. Ripiano mobile sportello

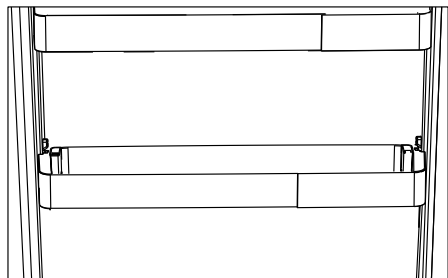
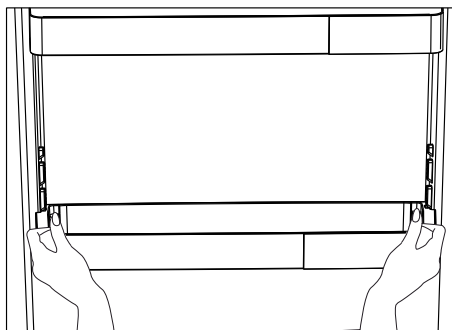
(Questa funzione è opzionale)

Il ripiano mobile dello sportello può essere fissato in 3 diverse posizioni.

Per spostare il ripiano, premere in modo uniforme i pulsanti ai lati. Il ripiano può essere spostato.

Spostare il ripiano verso l'alto o verso il basso.

Quando il ripiano è nella posizione desiderata, rilasciare i pulsanti. Il ripiano si fissa di nuovo nella posizione in cui sono stati rilasciati i pulsanti.

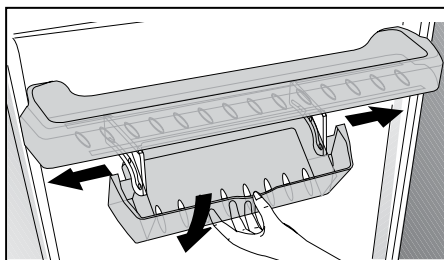


5.12. Scomparto scorrevole per la conservazione

(Questa funzione è opzionale)

Questo accessorio è progettato per accrescere il volume dei ripiani dello sportello.

Grazie alla sua capacità di spostarsi lateralmente, consente di posizionare facilmente bottiglie lunghe, barattoli o contenitori che vengono posti nella rastrelliera per bottiglie sotto.



Utilizzo del frigorifero

5.13. Cestino per verdure a umidità controllata

(Questa funzione è opzionale)

Con la funzione di controllo dell'umidità, i tassi di umidità di verdura e frutta sono tenuti sotto controllo e assicurano un periodo di freschezza più lungo per gli alimenti.

Si raccomanda di conservare le verdure a foglia come lattuga e spinaci e verdure simili che rischiano la perdita di umidità non sulle radici ma in posizione orizzontale nel cestino per le verdure, per quanto possibile.

Quando si posizionano le verdure, mettere le verdure pesanti e dure sul fondo e quelle leggere e morbide sopra, tenendo conto del peso specifico delle verdure.

Non lasciare le verdure nel cestino nei sacchetti di plastica.

Lasciarle nei sacchetti di plastica provoca in breve tempo il deterioramento delle verdure. In situazioni in cui non si consiglia il contatto con le altre verdure, utilizzare materiali di imballaggio come carta con una certa porosità per motivi di igiene.

Non mettere frutta con elevata emissione di gas etilene come pere, albicocche, pesche e in particolare mele nello stesso cestino di verdure con altra verdura e frutta. Il gas etilene che fuoriesce da questi frutti potrebbe provocare all'altra frutta e verdura una maturazione e un deterioramento più veloci.

5.14. Macchina del ghiaccio automatica

(Questa funzione è opzionale)

La macchina del ghiaccio automatica consente di preparare facilmente il ghiaccio nel frigorifero. Per ottenere ghiaccio dalla macchina, estrarre il serbatoio dell'acqua nello scomparto Cooler, riempirlo con acqua e riposizionarlo.

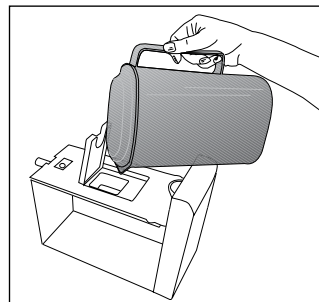
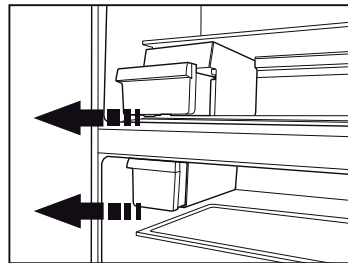
Il primo ghiaccio sarà pronto in circa 2 ore nel cassetto della macchina che si trova nello scomparto Cooler.

Dopo aver posizionato il serbatoio pieno dell'acqua, si possono ottenere circa 60-70 cubetti di ghiaccio finché non si svuota del tutto.

Se l'acqua è nel serbatoio da 2-3 settimane, deve essere cambiata.



Nei prodotti dotati di macchina del ghiaccio automatica, si potrebbe sentire un suono quando si versa il ghiaccio. Questo suono è normale e non è un segno di guasto.



Utilizzo del frigorifero

5.15. Icematic e contenitore per conservare il ghiaccio

Uso di Icematic

(Questa funzione è opzionale)

* Riempire Icematic con acqua e metterlo in sede. Il ghiaccio sarà pronto in due ore circa. Non rimuovere l'Icematic dalla sua sede per prendere il ghiaccio.

* Ruotare le manopole in senso orario per 90 gradi.

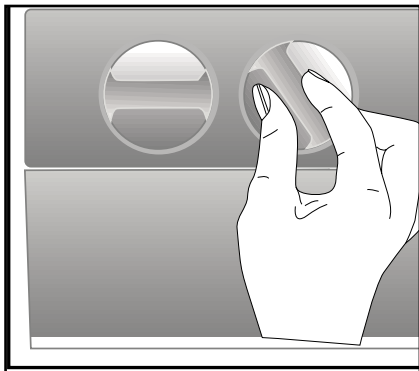
I cubetti di ghiaccio cadono nel contenitore per la conservazione del ghiaccio sotto.

* È possibile estrarre il contenitore per la conservazione del ghiaccio e servire i cubetti.

* Se lo si desidera, è possibile lasciare i cubetti nel contenitore per la conservazione del ghiaccio.

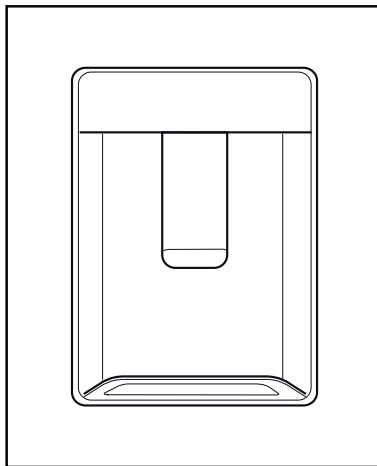
Contenitore per la conservazione del ghiaccio

Il contenitore per la conservazione del ghiaccio ha solo lo scopo di conservare i cubetti di ghiaccio. Non inserirvi dell'acqua, Altrimenti si romperà.



5.16. Erogatore d'acqua (in alcuni modelli)

L'erogatore dell'acqua è una funzione molto utile per ottenere acqua fredda senza aprire lo sportello del frigorifero. Dal momento che non bisogna aprire con frequenza lo sportello del frigorifero, si risparmia energia.



Utilizzo del frigorifero

5.17. Uso dell'erogatore d'acqua

Premere il braccio dell'erogatore d'acqua col bicchiere. L'erogatore smette di erogare quando viene rilasciato il braccio.

Quando si usa l'erogatore dell'acqua, il flusso massimo può essere ottenuto premendo completamente il braccio. Ricordare che la quantità del flusso dall'erogatore è soggetta al livello di pressione sul braccio.

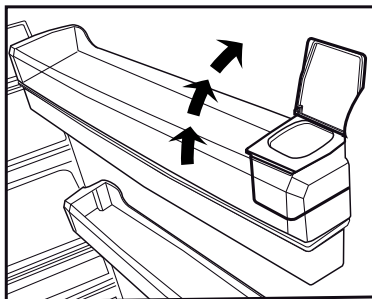
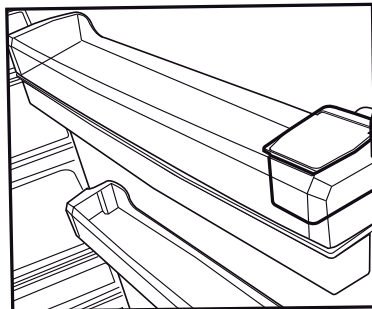
Quando il livello dell'acqua nel bicchiere/nel contenitore aumenta, diminuire leggermente la pressione sul braccio per evitare traboccamento. Se si preme delicatamente il braccio, l'acqua gocciola; questo è normale e non è un guasto.

Riempimento del serbatoio dell'erogatore d'acqua

Il serbatoio per il riempimento dell'acqua si trova all'interno della rastrelliera dello sportello. Aprire il coperchio del serbatoio e riempire di acqua potabile pulita. E poi chiudere il coperchio.

Avvertenza!

- Non riempire il serbatoio d'acqua con liquidi diversi dall'acqua, come succhi di frutta, bevande gassate o bevande alcoliche che non sono adatte per essere usate nell'erogatore d'acqua. L'erogatore d'acqua si danneggerebbe in modo irreparabile a causa dell'uso di questi liquidi. La garanzia non copre tali usi. Alcune sostanze chimiche e alcuni additivi contenuti in questo tipo di bevande/liquidi possono danneggiare il materiale del serbatoio d'acqua.
- Usare solo acqua potabile pulita e pura.
- La capacità del serbatoio dell'acqua è 3 litri; non riempire oltre.



Utilizzo del frigorifero

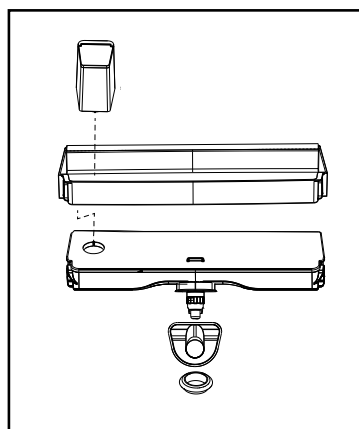
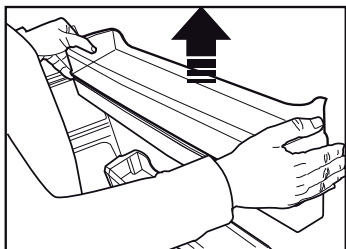
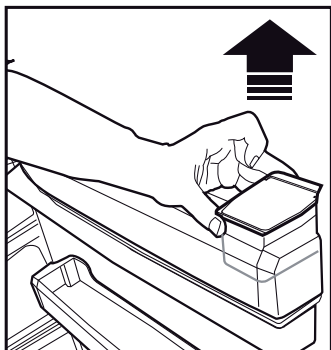
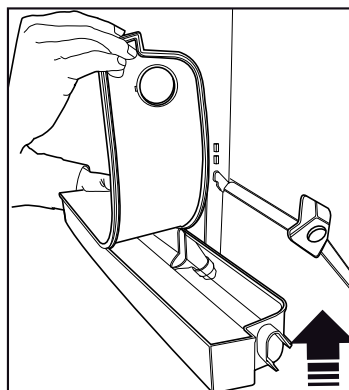
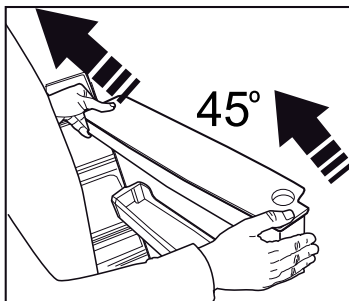
- Premere il braccio dell'erogatore d'acqua con un bicchiere rigido. Se si usano bicchieri di plastica usa e getta, spingere il braccio con le dita da dietro il bicchiere.

5.18. Pulizia del serbatoio dell'acqua

- Rimuovere il serbatoio di riempimento dell'acqua dalla rastrelliera interna dello sportello.
- Rimuovere la rastrelliera tenendo da entrambi i lati.
- Afferrare il serbatoio dell'acqua da entrambi i lati e rimuoverlo con un angolo di 45°C.
- Pulire il serbatoio dell'acqua rimuovendone il coperchio.

Importante:

I componenti del serbatoio dell'acqua e dell'erogatore dell'acqua non devono essere lavati in lavastoviglie.



Utilizzo del frigorifero

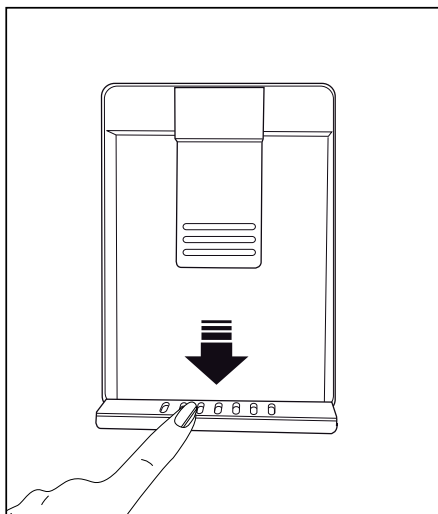
5.19. Vaschetta per l'acqua

L'acqua che sgocciola durante l'uso dell'erogatore si accumula nell'apposita vaschetta.

Estrarre la vaschetta in plastica come mostrato nella figura.

Con un panno asciutto e pulito, rimuovere l'acqua accumulata.

ATTENZIONE: Collegare solo ad una linea di acqua potabile.



5.20. HerbBox/HerbFresh

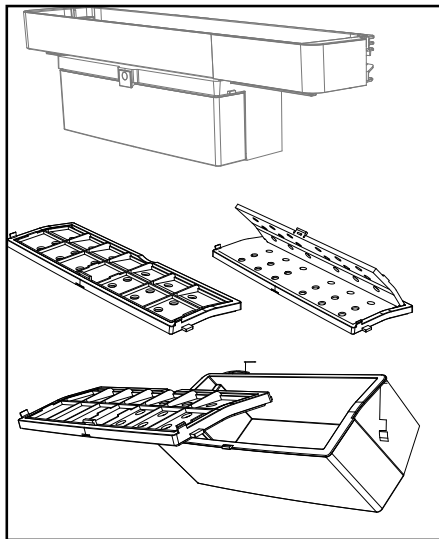
Togliere la custodia della pellicola dal HerbBox/HerbFresh+.

Togliere la pellicola dal sacchetto e inserirla nella custodia della pellicola come indicato in figura.

Chiudere la custodia e inserirla nuovamente nell'unità HerbBox/HerbFresh+.

Gli scomparti di HerbBox-HerbFresh+ sono ideali per la conservazione erbe aromatiche per quelle che devono essere conservate in condizioni sensibili. Potete conservare fresche le vostre verdure (prezzemolo, aneto, ecc) che avete tolto dal loro sacchetto in questo scomparto in posizione orizzontale per un periodo più lungo.

La pellicola deve essere sostituita ogni sei mesi.



Utilizzo del frigorifero

Impostazione Comparto Congelatore	Impostazione Comparto Frigorifero	Descrizioni
-18°C	4°C	Questa è l'impostazione predefinita è consigliata.
-20,-22 o -24°C	4°C	Queste impostazioni sono consigliate per temperature ambiente che superano i 30°C.
Congelamento rapido	4°C	Servirsi di questa opzione per congelare alimenti in un breve lasso di tempo; il dispositivo tornerà alle impostazioni precedenti al termine del processo.
-18°C o inferiore	2°C	Servirsi di queste impostazioni qualora si ritenga che lo scomparto frigorifero non sia abbastanza freddo a causa della temperatura ambiente o a causa delle frequenti aperture della porta.

5.21. Consigli per conservare alimenti surgelati

Lo scomparto deve essere impostato a una temperatura minima di -18°C.

1. Collocare gli alimenti all'interno del congelatore quanto più rapidamente possibile per evitare che si scongelino.
2. Prima del congelamento, verificare la "data di scadenza" sulla confezione per accertarsi del fatto che il prodotto non sia scaduto.
3. Accertarsi che la confezione dell'alimento non sia danneggiata.

5.22. Dettagli congelatore

Conformemente agli standard IEC 62552, il congelatore deve avere la capacità di congelare 4,5 chili di alimenti a una temperatura di -18°C o inferiore, in 24 ore, per ogni 100 l di volume di scomparto di congelamento. Gli alimenti possono essere preservati solo per lunghi periodi di tempo a temperature uguali o inferiori a -18°. Sarà possibile conservare gli alimenti freschi per mesi, all'interno del congelatore a temperature uguali o inferiori a -18°).

Gli alimenti da congelare non devono entrare in contatto con gli altri alimenti già congelati all'interno del congelatore, per evitare uno scongelamento parziale.

Bollire le verdure filtrare l'acqua per estendere il tempo di conservazione congelato. Collocare gli alimenti in sacchetti ermetici, dopo aver eseguito il filtraggio e il posizionamento all'interno del congelatore. Banane, pomodori, lattuga, sedano, uova bollite, patate e altri alimenti simili non dovrebbero essere congelati. Congelando questi alimenti se ne ridurrà il valore nutrizionale e la qualità alimentare; i prodotti si potrebbero inoltre rovinare, il che causa problemi a livello di salute.

Utilizzo del frigorifero

5.23. Posizionamento degli alimenti

Ripiani dello scomparto congelatore	Vari alimenti congelati quali ad esempio carne, pesce, gelato, verdura, eccetera.
Ripiani dello scomparto frigorifero	Alimenti all'interno di pentole, vassoi e contenitori, uova, all'interno di una confezione
Ripiani della porta scomparto frigorifero	Piccoli alimenti o bevande
Cassetto verdura	Frutta e verdura
Scomparto alimenti freschi	Prodotti gastronomici, ad esempio colazione, carne da consumare a breve

5.24. Avvertenza sportello aperto (Questa funzione è opzionale)

Un segnale di avvertenza audio viene emesso quando lo sportello dell'apparecchio viene lasciato aperto per almeno 1 minuto. Questa avvertenza scompare quando lo sportello viene chiuso o se viene premuto uno dei pulsanti del display (se presenti).

5.25. Cambiare la lampadina di illuminazione

Per cambiare lampadina/LED utilizzati per illuminare il frigorifero, rivolgersi al Servizio Assistenza Autorizzato.

La lampada (le lampade) usata (usate) nell'apparecchiatura non è (sono) adatta (adatte) per l'illuminazione domestica. L'obiettivo previsto per questa lampada è quello di assistere l'utente in fase di posizionamento degli alimenti all'interno del frigorifero / congelatore in modo sicuro e comodo.

6 Pulizia e manutenzione

Pulendo il prodotto a intervalli regolari sarà possibile prolungare la durata di vita.



AVVERTENZA: Scollegare il frigorifero dalla corrente prima di eseguire la pulizia.

- Non usare strumenti appuntiti e abrasivi, sapone, materiali per pulire la casa, detersivi, gas, gasolio, vernice e sostanze simili per gli interventi di pulizia.
- Per i prodotti non-No Frost, si verifica la formazione di gocce di acqua e ghiaccio fino allo spessore di un dito sulla parete posteriore dello scomparto frigo. Non pulire; non applicare mai olio né agenti simili.
- Utilizzare solo panni umidi in microfibra per pulire la superficie esterna del prodotto. Spugne e altri tipi di panni per la pulizia possono graffiare la superficie.
- Sciogliere un cucchiaino di bicarbonato in acqua. Ammorbidire un panno in acqua, quindi strizzarlo. Pulire il dispositivo con questo panno, quindi asciugare completamente.
- Fare attenzione a tenere lontana l'acqua dalla copertura delle lampade dalle altre componenti elettriche.
- Pulire la porta con un panno bagnato. Togliere tutti gli elementi all'interno per staccare la porta ed i ripiani del telaio. Sollevare i ripiani della porta verso l'alto per poterli rimuovere. Pulire e asciugare i ripiani, poi fissare nuovamente in posizione facendo scorrere da sopra.
- Non usare cloro cronica o prodotti detersivi sulla superficie esterna del dispositivo e sulle componenti rivestite in cromo del prodotto. Il cloro provoca ruggine su queste superfici metalliche.

6.1. Evitare i cattivi odori

Il prodotto è stato realizzato senza materiali che emettono cattivi odori. Conservare tuttavia gli alimenti in sezioni non adeguate e pulire le superfici interne in modo non consono potrebbe provocare cattivi odori.

A tal fine consigliamo di pulire l'interno con acqua gassata ogni 15 giorni.

- Tenere gli alimenti in contenitori sigillati. I microrganismi potrebbero fuoriuscire dagli alimenti non sigillati causando così cattivi odori.
- Non conservare alimenti scaduti e marci all'interno del frigorifero.
- Non usare strumenti affilati e abrasivi o sapone, agenti detersivi domestici, detersivi, gasolio, benzene, cera, ecc., altrimenti le indicazioni sulle parti in plastica si toglieranno e si verificherà deformazione. Usare acqua tiepida e un panno morbido unicamente per le operazioni di pulizia e asciugatura.

6.2. Protezione delle superfici in plastica

L'olio rovesciato sulle superfici in plastica potrebbe danneggiare la superficie, e deve essere pulito immediatamente servendosi di acqua tiepida.

7 Risoluzione dei problemi

Controllare questo elenco prima di contattare l'assistenza clienti. Questa operazione vi consentirà di risparmiare soldi. Questo elenco contiene i problemi più frequenti che non a livello di manodopera o materiali. Alcune funzioni qui indicate potrebbero non essere valide per il vostro prodotto.

Il frigorifero non funziona.

- La presa di corrente non è stata inserita correttamente. >>> Spingerla fino a inserirla completamente nella presa.
- Il fusibile collegato alla presa che alimenta il prodotto, oppure il fusibile principale, è bruciato. >>> Controllare i fusibili.

Condensa sulla parete laterale dello scomparto frigorifero (MULTI ZONE, COOL, CONTROL e FLEXI ZONE).

- La porta viene aperta troppo spesso >>> Fare attenzione a non aprire eccessivamente la porta del dispositivo.
- L'ambiente è troppo umido. >>> Non installare il prodotto in ambienti umidi.
- Gli alimenti che contengono liquidi vengono conservati in contenitori non sigillati. >>> Tenere gli alimenti in contenitori sigillati.
- La porta viene lasciata aperta. >>> Non tenere aperte a lungo le porte del frigorifero.
- Il termostato è impostato su una temperatura troppo bassa. >>> Impostare il termostato su una temperatura adeguata.

Il compressore non funziona.

- In caso di improvviso black out, o nel caso in cui la spina venga tolta e poi reinserita, la pressione del gas nel sistema di raffreddamento del dispositivo non è equilibrata, il che fa scattare la protezione termica del compressore. Il dispositivo si riavvierà dopo circa 6 minuti. Qualora il prodotto non si riavvia dopo questo periodo, contattare l'assistenza.
- La modalità di scongelamento è attiva. >>>> Si tratta di una condizione normale per un frigorifero con funzione di sbrinamento completamente automatica. Lo sbrinamento avviene a intervalli periodici.
- Il prodotto non è collegato. >>> Verificare che il cavo di alimentazione sia collegato.
- L'impostazione di temperatura non è corretta. >>>> Selezionare l'impostazione di temperatura adeguata.
- Assenza di corrente. >>> Il prodotto continuerà a funzionare normalmente quando viene ripristinata la corrente elettrica.

Il rumore di funzionamento del frigorifero aumenta col passare del tempo.

- Le prestazioni operative del prodotto possono variare a seconda delle variazioni di temperatura ambiente. Questa non è un'anomalia di funzionamento.

Il frigorifero funziona troppo spesso o troppo lungo.

Risoluzione dei problemi

- Il nuovo prodotto potrebbe essere più grande di quello precedente. I prodotti più grandi funzioneranno più a lungo.
- La temperatura ambiente potrebbe essere alta. >>> Il prodotto funzionerà normalmente per lunghi periodi di tempo con temperature superiori.
- Il prodotto potrebbe essere stato di recente collegato alla corrente, oppure al suo interno potrebbero essere stati recentemente aggiunti vari alimenti. >>> Allo prodotto servirà più tempo per raggiungere la temperatura impostata, se collegato di recente, oppure nel caso in cui vengano collocati nuovi elementi al suo interno, Non si tratta di un'anomalia.
- Forse di recente sono state introdotte nel frigorifero grandi quantità di alimenti caldi. >>> Non mettere alimenti caldi direttamente dentro al frigorifero.
- Le porte sono state aperte frequentemente o tenute aperte a lungo. >>> L'aria calda che si muove all'interno provocherà un funzionamento più lungo. Non aprire le porte con troppa frequenza.
- Le porte del congelatore o del frigorifero potrebbero essere socchiuse. >>> Controllare che le porte siano totalmente chiuse.
- Il prodotto potrebbe essere impostato su una temperatura troppo bassa, >>> Impostare la temperatura su un livello più alto e attendere che il prodotto raggiunga la temperatura desiderata.
- La rondella della porta del frigorifero del congelatore potrebbe essere sporca, usurata, rotta o non correttamente configurata, >>> Pulire e sostituire la rondella. Le rondelle consumate e usurate faranno funzionare il prodotto più a lungo per conservare la temperatura attuale.
- La temperatura dello scomparto frigorifero è impostata su un livello molto basso, >>> Impostare la temperatura dello scomparto frigorifero su un livello più alto, quindi eseguire un controllo.

Gli alimenti conservati nei cassetti dello scomparto frigorifero sono congelati.

- La temperatura dello scomparto frigorifero è impostata su un livello molto basso, >>> Impostare la temperatura dello scomparto congelatore su un livello più alto, quindi eseguire un controllo.

La temperatura nel vano frigorifero e congelatore è troppo alta.

- La temperatura dello scomparto frigorifero è impostata su un livello molto alto, >>> L'impostazione della temperatura dello scomparto frigorifero influenza la temperatura dello scomparto del congelatore. Modificare la temperatura dello scomparto congelatore o frigorifero e attendere che tutti gli scomparti interessati raggiungano il livello di temperatura impostata.
- Le porte sono state aperte frequentemente o tenute aperte a lungo. >>> Non aprire le porte con troppa frequenza.
- La porta potrebbe essere socchiusa. >>> Chiudere completamente la porta.
- Il prodotto potrebbe essere stato di recente collegato alla corrente, oppure al suo interno potrebbero essere stati recentemente aggiunti vari alimenti. >>> Al prodotto servirà più tempo per raggiungere la temperatura impostata, se collegato di recente, oppure nel caso in cui vengano collocati nuovi elementi al suo interno.
- Di recente sono state introdotte nel frigorifero grandi quantità di alimenti caldi. >>> Non mettere alimenti caldi direttamente dentro al frigorifero.

Vibrazioni o rumore.

La temperatura del congelatore è molto bassa, ma la temperatura del frigorifero è corretta.

- La temperatura dello scomparto congelatore è impostata su un livello molto basso, >>> Impostare la temperatura dello scomparto congelatore su un livello più alto, quindi eseguire un controllo.

La temperatura del frigorifero è molto bassa, ma la temperatura del congelatore è corretta.

Risoluzione dei problemi

- Il pavimento non è in piano o resistente. >>> Se il prodotto vibra, quando viene spostato lentamente, regolare i supporti per equilibrare il prodotto. Verificare inoltre che la superficie di appoggio sia sufficientemente resistente per supportarne il peso.
- Gli eventuali oggetti collocati sul prodotto potrebbero essere fonte di rumore. >>> Togliere gli eventuali elementi collocati sul prodotto.

Il prodotto emette rumori, come ad esempio liquido che scorre, spruzzo, eccetera

- I principi operativi del prodotto prevedono la presenza di flussi di liquidi e flussi di gas. >>> Questa non è un'anomalia di funzionamento.

C'è un rumore, simile a un soffio, che proviene dal prodotto.

- Il prodotto si serve di una ventola per il processo di raffreddamento. Questa non è un'anomalia di funzionamento.

Si è formata condensa sulle pareti interne del dispositivo.

- Le condizioni meteo calde o umide aumentano la formazione di ghiaccio e di condensa. Questa non è un'anomalia di funzionamento.
- Le porte sono state aperte frequentemente o tenute aperte a lungo. >>> Non aprire le porte con troppa frequenza; se la porta è aperta, chiuderla.
- La porta potrebbe essere socchiusa. >>> Chiudere completamente la porta.

Si è formata condensa sulla superficie esterna del dispositivo o fra le porte.

- Le condizioni ambientali potrebbero essere umide, e ciò è normale. >>> La condensa si dissipa quando l'umidità viene ridotta.

L'interno emette cattivi odori.

- Il prodotto non viene pulito regolarmente. >>> Pulire la superficie interna a intervalli regolari servendosi di spugna, acqua tiepida, e acqua gassata.
- Alcuni contenitori e imballaggi potrebbero emettere cattivi odori. >>> Servirsi di imballaggi che non emettano cattivi odori.
- Gli alimenti sono stati collocati all'interno di contenitori non sigillati. >>> Tenere gli alimenti in contenitori sigillati. I microrganismi potrebbero fuoriuscire dagli alimenti non sigillati causando così cattivi odori.
- Rimuovere gli eventuali alimenti scaduti o rovinati dal dispositivo.

La porta non si chiude correttamente.

- Le confezioni di cibo potrebbero bloccare la porta. >>> Trovare una nuova posizione per gli alimenti che bloccano le porte.
- Il prodotto non è in posizione verticale, appoggiato per terra. >>> Regolare i supporti per l'equilibrio del prodotto.
- Il pavimento non è in piano o resistente. >>> Verificare che la superficie di appoggio sia sufficientemente resistente per supportarne il peso.

Il cassetto verdura si è inceppato.

- Gli alimenti potrebbero entrare in contatto con la sezione superiore cassetto. >>> Riorganizzare gli alimenti nel cassetto.

Se La Superficie Del Prodotto È Bollente.

- Quando il prodotto è in funzione, possono essere osservate alte temperature tra i due sportelli, sui pannelli laterali e sul grill posteriore. . Ciò è normale e non richiede manutenzione!



AVVERTENZA: Qualora il problema persista dopo aver seguito le istruzioni contenute in questa selezione, contattare il proprio fornitore oppure un Servizio Autorizzato. Evitare in ogni caso di riparare il prodotto.