

BUILT-IN
SINGLE DOOR REFRIGERATOR AND LARDER
AND DOUBLE DOOR REFRIGERATOR

NOTICE
REFRIGERATEUR
REFRIGERATEUR / CONGELATEUR
ENCASTRABLE

Bedienungsanleitung
Einbaugeräte Kühlen

INGEBOUWDE
KOELKAST EN PROVISIEKAST
MET ENKELE DEUR
EN KOELKAST MET DUBBELE DEUR

INCORPORATO
FRIGORIFERO E DISPENSA A PORTA SINGOLA
E FRIFORIFERO A PORTA DOPPIA

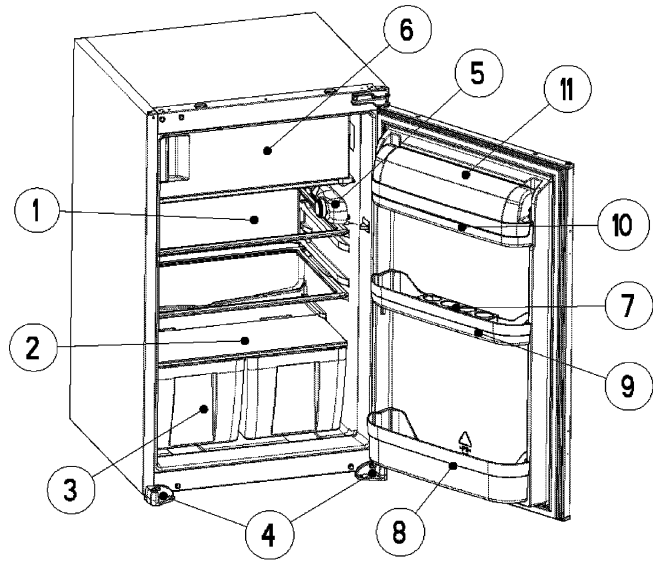
FRIGORIFICO DE UNA PUERTA Y REFRIGERADOR
Y FRIGORIFICO DE DOS PUERTAS
BUILT- IN

FRIGORÍFICO DE UMA PORTA E REFRIGERADOR
E FRIGORÍFICO DE DUAS PORTAS
BUILT- IN

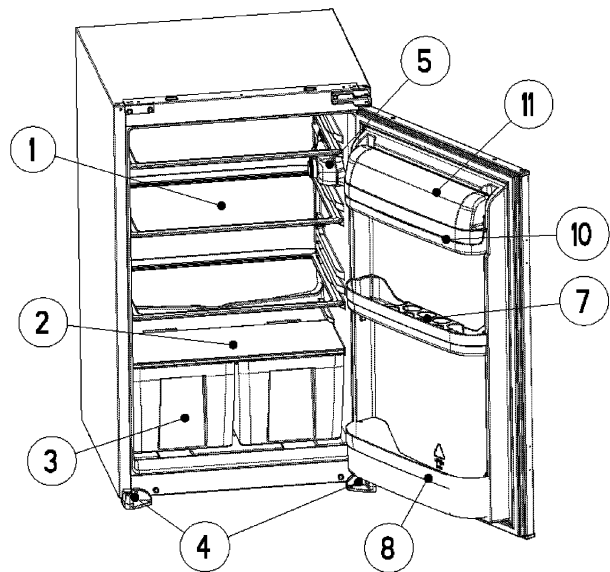
DO ZABUDOWY:
JEDNODRZWIOWA CHŁODZIARKO-ZAMRAŻARKA I SPIŻARKA
ORAZ DWUDRZWIOWA CHŁODZIARKO-ZAMRAŻARKA

VEŠTAVNÁ
JEDNODVEŘOVÁ CHLADNIČKA S MRAZÁKEM
JEDNODVEŘOVÁ CHLADNIČKA BEZ MRAZÁKU
DVOUDVEŘOVÁ CHLADNIČKA

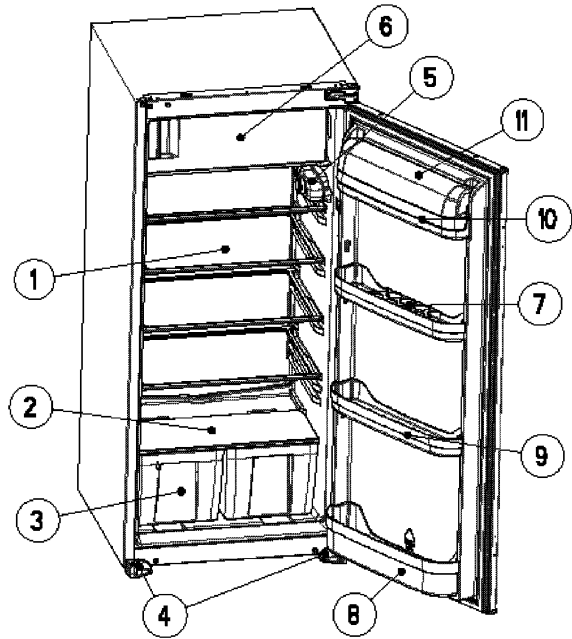
SINGLE DOOR REFRIGERATOR (HEIGHT: 87,5 cm)



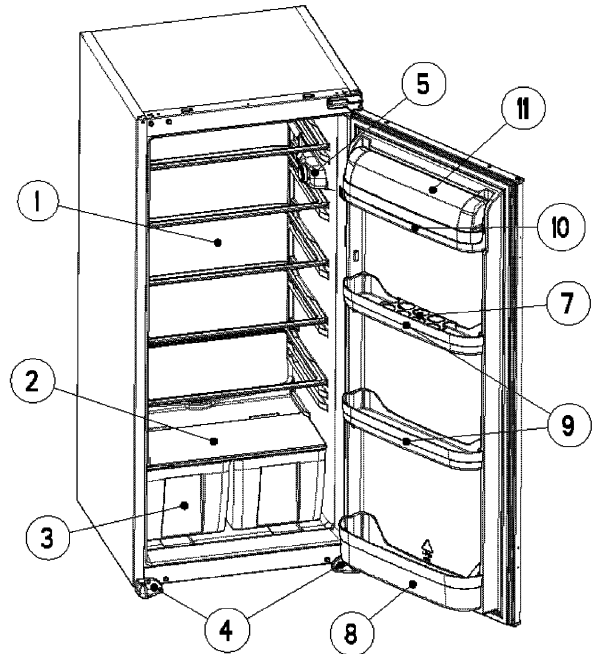
SINGLE DOOR LARDER (HEIGHT: 87,5 cm)



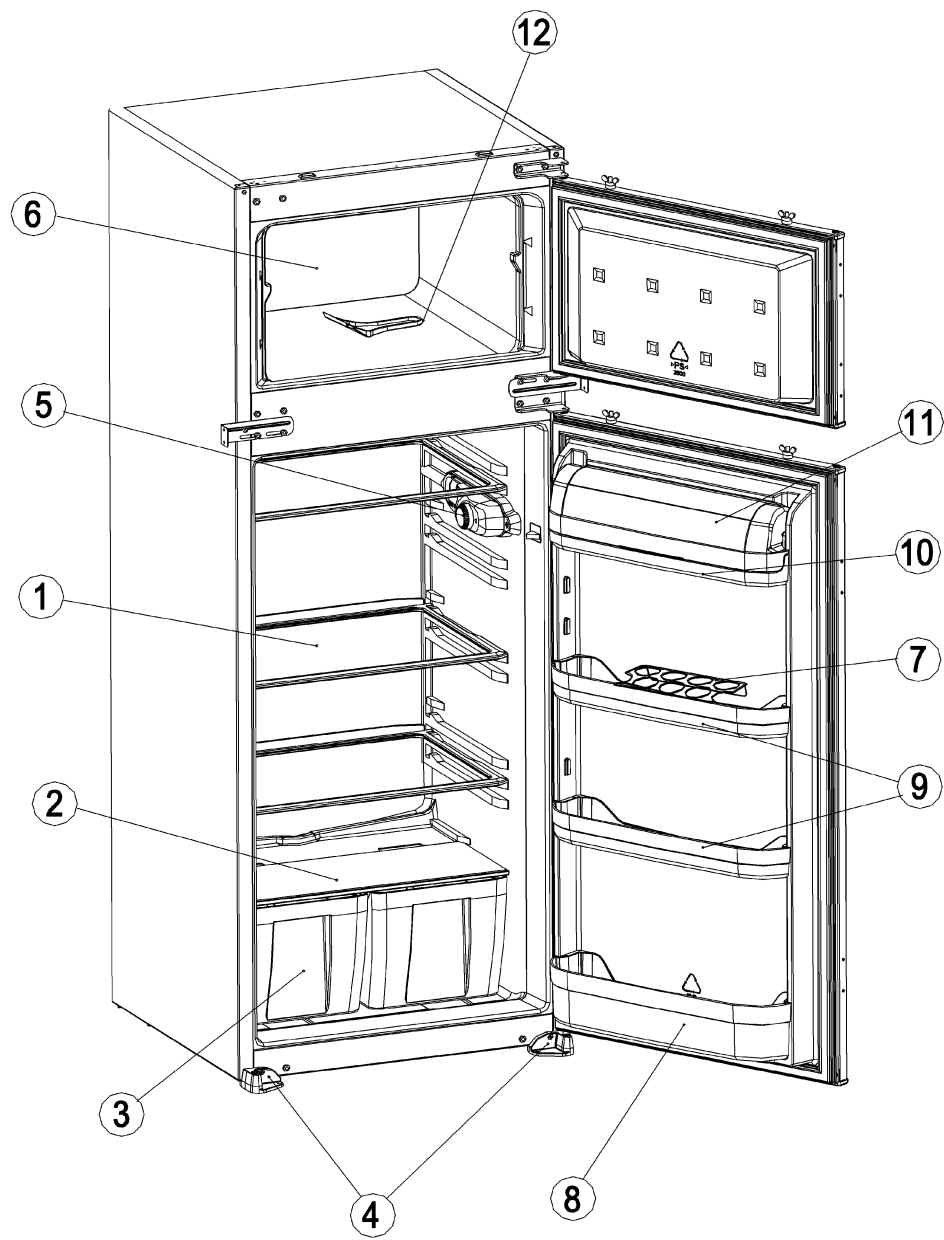
SINGLE DOOR REFRIGERATOR (HEIGHT: 122 cm)



SINGLE DOOR LARDER (HEIGHT: 122 cm)



DOUBLE DOOR REFRIGERATOR (HEIGHT: 144 cm)



CONTENTS

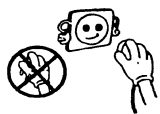
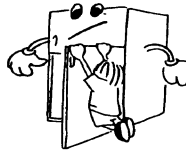
PART 1: BEFORE USING THE APPLIANCE	5
• Safety Instructions	5
• Recommendations	5
• Switching On the Appliance	6
PART 2: HOW TO OPERATE THE APPLIANCE	7
• Thermostat Setting	7
• Indicator	8
PART 3: FOOD STORAGE IN THE APPLIANCE	9
• Refrigerator Compartment	9
• Freezer Compartment	9
PART 4: CLEANING AND MAINTENANCE	10
• Defrosting	10
• Replacing the Light Bulb	11
PART 5: BEFORE CALLING YOUR AFTER SALES SERVICE	12
PART 6: THE PARTS OF THE APPLIANCE AND THE COMPARTMENTS	13

- The operating instructions apply to several models. Differences may therefore occur.

PART 1. BEFORE USING THE APPLIANCE

Safety Instructions

- Please read this booklet thoroughly before installing and switching on the appliance. The manufacturer assumes no responsibility for incorrect installation and usage.
- **WARNING: Keep ventilation openings in appliance enclosure on in structure for building in, clear of obstruction.**
- If this appliance is to replace an old one equipped with a lock, break or remove the lock as a safety measure to avoid the danger of children locking them inside.
- If the model contains refrigerant isobutene (R600a), a natural gas with a high level of environmental compatibility, caution is required since isobutene is flammable. It is essential to ensure that refrigerant pipelines are not damaged during transportation and installation of the appliance. In the event that the refrigerant circuit is damaged, avoid open flames or ignition sources and ventilate the room in which the unit is placed.
- Do not damage the refrigerant circuit.
- Do not allow children to play with the appliance. Children must never sit in the drawers or hang from the door.
- Do not use adapters or shunts, which could cause overheating or burning.
- Do not plug old, warped power supply cables.
- Do not twist and bend the cables, and keep them away from hot surfaces.



- Do not plug the power supply with wet hands.
- Your old appliances contain insulation gases and refrigerant that must be disposed of properly. Please ensure that the refrigerant circuit is not damaged before the appliance is taken away for disposal.
- After installation make sure that the power cable is not trapped underneath appliance.

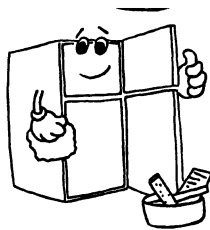
Recommendations

- Do not defrost the appliance with other electrical devices (i.e. hair dryer) or other artificial means, and do not use sharp metal objects to remove the ice on the freezer, as this could cause damage to the refrigerant system.
- Do not operate any electrical appliances inside the refrigerator or freezer.

- Do not place bottles (glass or tin) containing liquids (especially sparkling liquids) into the freezer as they could cause the bottle to burst during freezing.
- Do not touch the cooling surfaces while the appliance operates, especially with wet hands, because the skin may stick to cold surfaces.
- Do not eat ice, which has just been removed from the freezer.

Switching On the Appliance

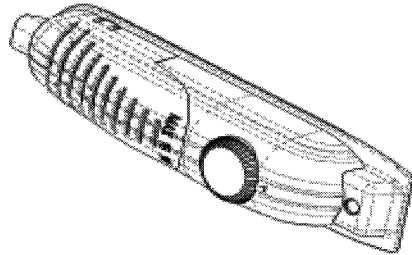
- Before switching on, place the appliance on upright position and wait at least three hours without moving the appliance. This will give the refrigerant circuit time to settle and operate efficiently.
- Clean the appliance thoroughly, especially in the interior, before use (See Cleaning and Maintenance).
- Installation of the appliance and electrical connections must be carried out by a qualified technician, in accordance with the Installation Manual and local regulations.
- Installation procedure into the kitchen unit is given in the Installation Manual. This product is intended to be used in proper kitchen units only.
- The appliance must be connected with a properly installed fused socket. Power supply (AC) and voltage at the operating point must with the details on the name plate of the appliance (name plate is located on the inside left of the appliance).
- Insert the plug into a socket with an efficient ground connection. If the socket has no ground contact or the plug does not match, we suggest you to call an authorized electrician for assistance.
- **Manufacturer is not responsible for failure to complete the ground connection as described in this booklet.**



- There can be an odor when you first switch on the appliance. It will disappear after the appliance starts to cool.

PART 2. HOW TO OPERATE THE APPLIANCE

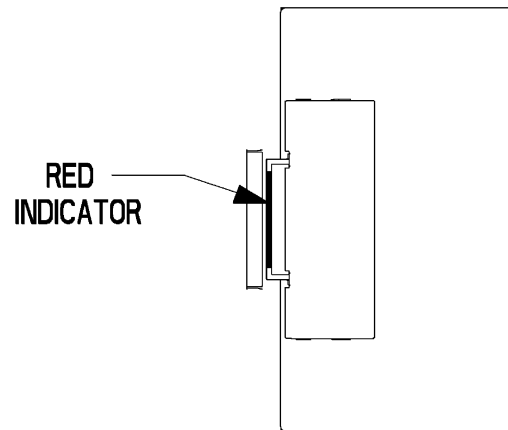
Thermostat Setting



- Thermostat automatically regulates the inside temperature of the refrigerator compartment and freezer compartment. By rotating the knob from position 1 to 5, colder temperatures can be obtained.
- The " 0 " position shows thermostat is closed and no cooling is available.
- For short-term storage of food in the freezer compartment, you can set the knob between minimum and medium position (1-3).
- For long-term storage of food in the freezer compartment, you can set knob medium position.(3-4)
- **Note that; the ambient temperature, temperature of the freshly stored food and how often the door is opened, affects the temperature in the refrigerator and freezer compartments. If required, change the temperature setting.**
- *When you first switch on the appliance, you should ideally try to run it without any food in for 24 hours and not open the door. If you need to use it straight away, try not to put much food inside.*
- *If the unit is switched off or unplugged, you must allow at least 5 minutes before restarting in order not to damage the compressor.*
- **REFRIGERATORS (with 4 star rating):** The freezer of the refrigerator cools down to -18°C and less.
- **LARDERS (without star rating):** Larders (coolers) have not any freezer compartment but can cool down to 4-6°C.

"Door Open" Indicator: (for Single Door refrigerators with freezer compartment)

- The "Door Open" indicator on the lock slide indicates whether the door is closed properly or not.
- **If the red indicator is visible, the door is still open.**
- **If the red indicator is invisible, the door is properly closed.**
- **Observe that the freezer door should always be kept closed properly.** This will prevent food inside the freezer from defrosting; it will avoid heavy ice and frost build-up inside the freezer and an unnecessary increase in energy consumption.



PART 3. FOOD STORAGE IN THE APPLIANCE

Refrigerator Compartment

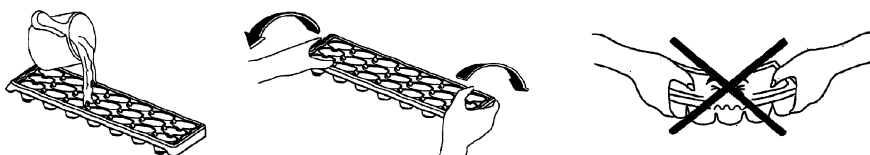
Refrigerator compartment is used for storing fresh food for few days.

- Do not place food in direct contact with the rear wall of the refrigerator compartment. Leave some space around food to allow circulation of air.
- Do not place hot food or evaporating liquid in the refrigerator.
- Always store food in closed containers or wrapped.
- To reduce humidity and avoid formation of frost, never place liquids in unsealed containers in the refrigerator.
- Meat of all types, wrapped in packages, is recommended to be placed on the glass shelf just above the vegetable bin, where the air is colder.
- You can put the fruits and vegetables into crisper without packing.
- To avoid the cold air escaping, try not to open the door too often, and not leave the door open for a long time.

Freezer Compartment

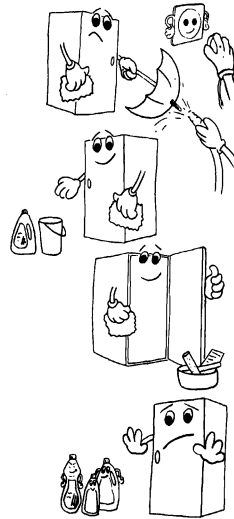
Freezer compartment is used for freezing fresh foods and for storing frozen foods for the period of time indicated on packaging, and for making ice cubes.

- **For freezing fresh food;** wrap and seal fresh food properly, that is the packaging should be air tight and shouldn't leak. Special freezer bags, aluminum foil (heavy grade, in doubt double wrap), polythene bags and plastic containers are ideal.
- Do not allow the fresh food to be frozen to come into contact with the already frozen food.
- Always mark the date and the content on the pack and do not exceed the stated storage time.
- In case of a power failure or malfunction, the freezer compartment will maintain a sufficiently low temperature for food storage. However, avoid opening the freezer door to slow down the temperature rise within the freezer compartment.
- The maximum amount of fresh foods that can be loaded in the freezer within 24 hours is indicated on the name plate (see Freezing Capacity).
- Never place warm food in the freezer compartment.
- **When purchasing and storing frozen food products;** ensure that the packaging is not damaged.
- The storage time and the recommended temperature for storing frozen foods are indicated on the packaging. For storing and using, follow the manufacturer's instructions. If no information is provided, food should not be stored for more than 3 months.
- Place frozen food in the freezer compartment as soon as possible after buying it.
- Once the food is thawed, it must not be refrozen; you must cook it as quickly as possible in order to consume or to freeze once again.
- **When making ice cubes,** fill the ice tray with water and place in freezer compartment. After the water completely turned into ice, you can twist the tray as shown below to get the ice cube.

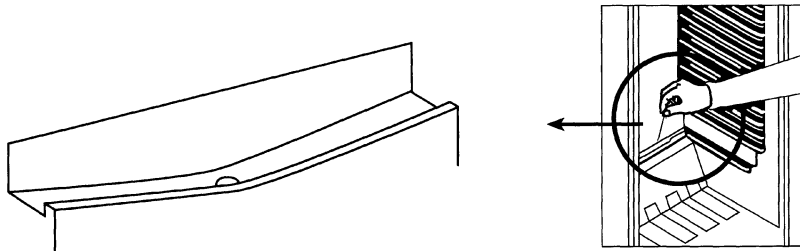


PART 4. CLEANING AND MAINTENANCE

- **Disconnect the appliance from the power supply before cleaning.**
- Do not pour water over the appliance.
- The refrigerator compartment should be cleaned periodically using a solution of bicarbonate of soda and lukewarm water
- Clean the accessories separately with soap and water. Do not put them in the dishwasher.
- Do not use abrasive products, detergents or soaps. After washing, rinse with clean water and dry carefully. When the cleaning operations have been completed, reconnect the plug with **dry hands**.



Defrosting the Refrigerator Compartment:



- Defrosting occurs automatically in refrigerator compartment during operation; the defrost water is collected by the evaporating tray and evaporates automatically.
- The evaporating tray and the defrost water drain hole should be cleaned periodically with defrost drain plug to prevent the water from collecting on the bottom of the refrigerator instead of flowing out.
- You can also pour ½ glass of the water to drain hole to clean inside.

Defrosting the Freezer Compartment (if available):

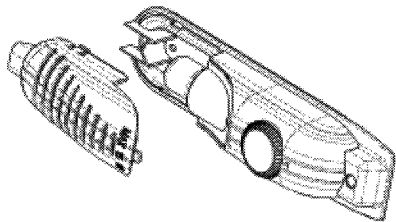
WARNING: Never use sharp metal tools, unless recommended by manufacturer, for this operation as they can damage the refrigeration circuit.

After a period of time, frost will build up in certain areas in the freezer compartment. The frost, accumulated in the freezer compartment, should be removed periodically (use the plastic scraper if available).

Complete defrosting will become necessary if the frost layer exceeds 3-5 mm to maintain the efficiency of the freezer.

- The day before you defrost, set the thermostat dial to position "5" to freeze the foods completely.
- During defrosting, frozen foods should be wrapped in several layers of paper and kept in a cool place. The inevitable rise in temperature will shorten their storage life. Remember to use these foods within a relatively short period of time.
- Set the thermostat knob to position "0" and switch off the appliance.
- Leave the door open to accelerate defrosting. Remove the defrost water from the compartment.
- Clean the interior by hand with lukewarm water and a little detergent.
Never use abrasive products or aggressive cleaning agents.
- Dry the inside of the unit, plug on the mains, and set the thermostat knob to position "5". After 24 hours, reset the thermostat to the desired position.

Replacing the Light Bulb



When replacing the bulb of the refrigerator compartment;

1. Unplug the unit from the power supply,
2. Press the hooks on the sides of the light cover top and remove the light cover
3. Change the present light bulb with a new one of not more than 15 W.
4. Replace the light cover and after waiting 5 minutes plug the unit.

PART 5 BEFORE CALLING YOUR AFTER SALES SERVICE

If your refrigerator is not working properly, it may be a minor problem, therefore check the following.

The appliance does not operate,**Check if;**

- There is a power failure,
- The mains plug is not properly plugged in, or is loose
- The thermostat setting is on position "0",
- The socket is defective. To check this, plug in another appliance that you know which is working into the same socket.

The appliance performs poorly;**Check if;**

- You have overloaded the appliance,
- The doors are not closed perfectly,
- There are not enough ventilation ducts on the kitchen unit as mentioned in the Installation Manual.

If there is noise;

The cooling gas which circulates in the refrigerator circuit may make a slight noise (bubbling sound) even when the compressor is not running. Do not worry, this is quite normal. If these sounds are different check if;

- The appliance is installed firmly as described in the Installation Manual.
- The objects on the appliance are vibrating.

If there is water in the lower part of the refrigerator;**Check if;**

The drain hole for defrost water is not clogged (use defrost drain plug to clean the drain hole).

Recommendations

• **In order to increase space** and improve the appearance, the "cooling section" of refrigerators is positioned inside the back wall of the refrigerator compartment. When the compressor is working, this wall is covered with frost or water drops. Do not worry. This is quite normal. The appliance should be defrosted only if an excessively thick ice layer forms on the back wall.

• **If the appliance is not used for a long time** (for example during the summer holidays), set the thermostat knob to position "0". Defrost and clean the refrigerator leaving the door open to prevent the formation of mildew and smell.

PART 6. PARTS OF THE APPLIANCE AND THE COMPARTMENTS

- | | |
|--------------------------------|------------------------|
| 1) REFRIGERATOR SHELF | 7) EGG SHELF |
| 2) CRISPER COVER(SAFETY GLASS) | 8) BOTTLE SHELF |
| 3) CRISPER | 9) MIDDLE SHELF |
| 4) LEFT&RIGHT FEET | 10) BUTTER SHELF |
| 5) THERMOSTAT BOX | 11) BUTTER SHELF COVER |
| 6) FREEZER COMPARTMENT(*) | 12) PLASTIC SCRAPER(*) |

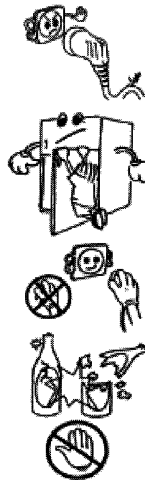
(*) ONLY IN SOME MODELS.

TABLE DES MATIÈRES

PARTIE 1 : AVANT D'UTILISER L'APPAREIL	15
• Instructions de sécurité	15
• Recommandations	15
• Mise en marche de l'appareil	16
PARTIE 2 : COMMENT UTILISER L'APPAREIL	17
• Réglage du Thermostat	18
PARTIE 3 : GARDER LES ALIMENTS DANS L'APPAREIL	21
• Compartiment du réfrigérateur	21
• Compartiment du congélateur	21
PARTIE 4 : NETTOYAGE ET ENTRETIEN	22
• Dégivrer	22
• Remplacer l'ampoule	23
PARTIE 5 : AVANT D'APPELER LE SERVICE APRÈS-VENTE	24
PARTIE 6 : LES PARTIES DE L'APPAREIL ET LES COMPARTIMENTS	25
- Les instructions d'utilisation s'appliquent à de nombreux modèles. Toutefois il peut y avoir des différences.	

PARTIE 1 AVANT D'UTILISER L'APPAREIL

- **Lisez attentivement ce livre avant d'installer et de mettre en marche l'appareil. Le fabricant n'assume aucune responsabilité pour une mauvaise installation et utilisation.**
- **ATTENTION : Ne bloquez pas les ouvertures situées dans l'appareil.**
- Si cet appareil remplace un vieil appareil équipé d'un verrouillage, cassez ou retirez le verrouillage comme mesure de sécurité pour éviter qu'un enfant ne reste bloqué à l'intérieur.
- Si le modèle contient de l'isobutène réfrigérant (R600a), un gaz naturel avec un haut niveau de compatibilité avec l'environnement, vous devez prendre des précautions parce que l'isobutène est un produit inflammable. Vous devez vous assurer que les conduites réfrigérantes ne sont pas endommagées lors du transport et de l'installation de l'appareil. Si le circuit réfrigérant est endommagé, évitez les flammes ou les sources d'allumage et aérez la pièce où vous avez placé l'appareil.
- N'endommagez pas le circuit réfrigérant.
- Les enfants ne doivent pas jouer avec l'appareil. Les enfants ne doivent jamais s'asseoir dans les compartiments ou se pendre à la porte.
- N'utilisez pas des adaptateurs ou des dérivations qui peuvent causer une surchauffe ou un incendie.
- Ne branchez pas de vieux câbles d'alimentation.
- Ne tortillez pas et ne tordez pas les câbles, et maintenez-les loin des surfaces chaudes.



- Ne branchez pas la prise avec les mains mouillées.
- Vos vieux appareils contiennent des gaz isolants et réfrigérants qui doivent être éliminés correctement. Vous devez vous assurer que le circuit réfrigérant n'est pas endommagé avant de mettre au rebut l'appareil.
- Après avoir effectué l'installation, assurez-vous que le câble d'alimentation n'est pas coincé sous l'appareil.

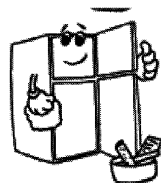
Recommandations

- Ne dégivrez pas l'appareil avec d'autres appareils électriques (c-à-d. Un sèche-cheveux)
- N'utilisez aucun appareil électrique à l'intérieur du réfrigérateur ou du congélateur.

- Ne placez pas des bouteilles (en verre ou étain) avec des liquides (en particulier des liquides qui giclent) dans le congélateur parce que la bouteille peut exploser pendant la congélation.
- Ne touchez pas les surfaces de refroidissement lors du fonctionnement de l'appareil, en particulier avec les mains mouillées, car la peau peut rester collée aux surfaces froides.
- Ne mangez pas le gel, qui a été retiré du congélateur.

Mise en marche de l'appareil

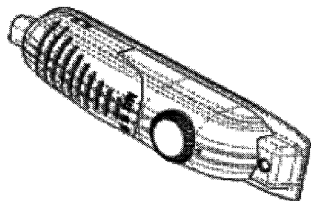
- Avant la mise en marche, placez l'appareil dans sa position correcte et attendez au moins trois heures sans bouger l'appareil. Ceci permet au circuit réfrigérant de se mettre bien en place et de fonctionner correctement.
- Nettoyez l'appareil à fond, en particulier l'intérieur, avant l'utilisation (Voir Nettoyage et Entretien).
- L'installation de l'appareil et les branchements électriques doivent être effectués par un technicien, conformément au manuel d'installation et aux règlements locaux.
- La procédure d'installation dans une unité de cuisine est indiquée dans le manuel d'installation. Ce produit doit être utilisé dans des unités de cuisine adéquats.
- Cet appareil doit être branché avec une prise correctement installée contenant un fusible. L'alimentation électrique (CA) et le voltage lors du fonctionnement doivent correspondre aux détails de la plaquette du nom (la plaquette du nom est à l'intérieur gauche de l'appareil).
- Branchez à une prise reliée à la terre. Si la prise n'a aucun contact avec la terre ou si la prise ne correspond pas au nécessaire, nous vous conseillons de contacter un électricien autorisé pour prêter assistance.
- **Le fabricant n'est pas responsable de la non réussite du branchement à la terre comme décrit dans ce livre.**



- Il peut se produire une odeur quand vous mettez en marche l'appareil pour la première fois. Celle-ci disparaît quand l'appareil commence à refroidir.

PARTIE 2. COMMENT UTILISER L'APPAREIL

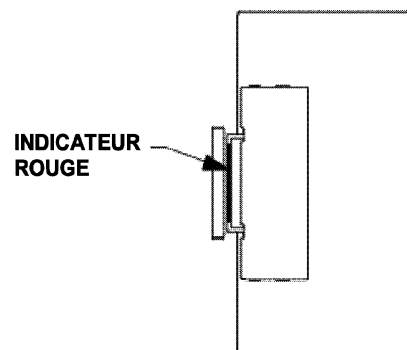
Réglage du Thermostat



- Le thermostat règle automatiquement la température intérieure du compartiment du réfrigérateur et du compartiment du congélateur. En tournant le bouton de la position 1 à 5, vous pouvez obtenir des températures plus froides.
- La position " 0 " indique que le thermostat est fermé et que le refroidissement est impossible.
- Pour le stockage à court terme des aliments dans le compartiment du congélateur, vous pouvez régler le bouton entre la position minimum et moyenne (1-3).
- Pour le stockage à long terme des aliments dans le compartiment du congélateur, vous pouvez régler le bouton dans la position moyenne (3-4).
- Note : La température ambiante, la température des aliments frais stockés et le nombre de fois que la porte est ouverte, affectent la température dans les compartiments du réfrigérateur et du congélateur. Changez le réglage de la température si nécessaire.
- *Quand vous mettez en marche l'appareil pour la première fois, vous devez le faire sans aucun aliment à l'intérieur pendant 24 heures et sans ouvrir la porte. Si vous devez l'utiliser rapidement, ne mettez pas trop d'aliments à l'intérieur.*
- *Si l'appareil est arrêté ou débranché, vous devez attendre au moins 5 minutes avant de le remettre en marche pour ne pas endommager le compresseur.*
- **RÉFRIGÉRATEURS (avec 4 étoiles)** : Le congélateur du réfrigérateur refroidit jusqu'à -18°C et moins.
- **GARDE-MANGER (sans étoile)** : Le garde-manger (réfrigérateur) n'a pas de congélateur mais peut refroidir jusqu'à $4-6^{\circ}\text{C}$.

Indicateur "Porte Ouverte"¹ (Pour réfrigérateur d'une porte avec congélateur)

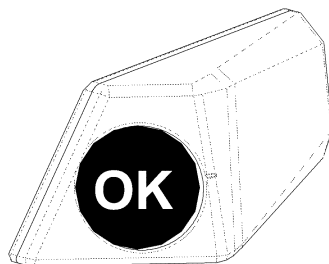
- L'indicateur "Porte Ouverte" du côté du verrou indique si la porte est fermée correctement ou non.
- **Si l'indicateur rouge s'allume, la porte est encore ouverte.**
- **Si l'indicateur rouge ne s'allume pas, la porte est fermée correctement.**
- **Vérifiez si la porte du congélateur est fermée correctement.** Ce w évite aux aliments à l'intérieur du congélateur de décongeler. Il évite aussi un surplus de glace à l'intérieur du congélateur et une augmentation inutile de la consommation d'énergie.



Indicateur de température

Pour vous aider au bon réglage de votre appareil nous avons équipé votre réfrigérateur d'un indicateur de température, celui-ci étant placé dans la zone la plus froide.

Pour la bonne conservation des denrées dans votre réfrigérateur et notamment dans la zone la plus froide, veillez à ce que sur l'indicateur de température le logo « OK » apparaisse. Si « OK » n'apparaît pas, La température est mal réglée.



L'indication « OK » apparaissant en noir, celui-ci est difficilement visible si l'indicateur de température est mal éclairé. La bonne lecture de celui-ci est facilitée s'il est correctement éclairé.

À chaque modification du dispositif de réglage de température, attendez la stabilisation de la température à l'intérieur de l'appareil avant de procéder si nécessaire, à un nouveau réglage. Ne modifiez la position du dispositif de réglage de température que progressivement et attendez au moins 12 heures avant de procéder à une nouvelle vérification et à une éventuelle modification.

NOTA : Après chargement de l'appareil de denrées fraîches ou après ouvertures répétées (ou ouverture prolongée) de la porte il est normal que l'inscription « OK » n'apparaisse pas dans l'indicateur de réglage de température. Si l'évaporateur du compartiment réfrigérateur (paroi du fond de l'appareil) se couvre anormalement de givre (appareil trop chargé, température ambiante élevée, ouvertures fréquentes de la porte), réglez le dispositif de réglage de température sur une position inférieure jusqu'à obtenir de nouveau des périodes d'arrêt du compresseur.

Emplacement des denrées

Zone la plus froide

Vous obtiendrez une meilleure conservation de vos aliments si vous les placez dans la zone de froid convenant le mieux à leur nature. La zone la plus froide se situe juste au-dessus de bac à légumes.



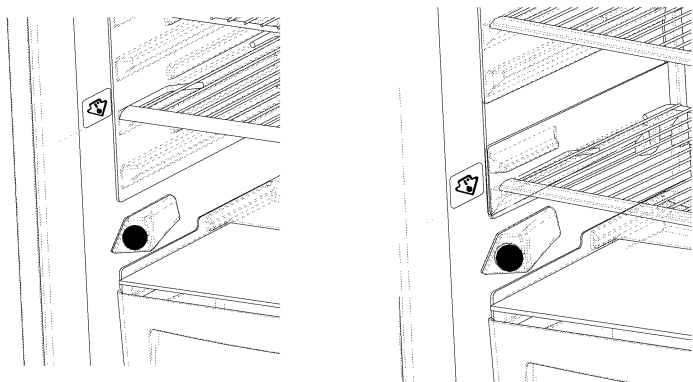
Le symbole ci-contre indique l'emplacement de zone la plus froide de votre réfrigérateur

La zone la plus froide du compartiment réfrigérateur est délimitée par les autocollants collés sur le côté gauche de la paroi.

La limite supérieure de la zone la plus froide est indiquée par la base inférieure de l'autocollant (pointe de Flèche). La clayette supérieure de la zone la plus froide doit être au même niveau que la pointe de la Flèche. La Zone la plus Froide se situe en-dessous de ce niveau.

Ces clayettes étant amovibles, veillez à ce qu'elles soient toujours au même niveau que ces limites de zone décrites sur les autocollants, afin de garantir les températures dans cette zone.

Chaque type d'aliment a une température de conservation idéale et donc un emplacement précis à respecter.



Emplacements	Produits
Clayettes supérieures	Aliments cuits, entremets et toutes denrées à consommer assez rapidement.
Zone la plus froide	Viande, volaille, gibier et poissons crus. Temps maximum de conservation : 1 à 2 jours. Fruits frais, charcuterie.
Bac à légumes	Légumes frais, fruits.
Contre-porte	Les balconnets recevront, en bas les bouteilles puis en remontant, les produits de faible volume et d'emploi courant (yaourts, crème fraîche,...). Le beurre, les fromages cuits et les œufs trouveront leur place dans les casiers appropriés.

PARTIE 3. GARDER LES ALIMENTS DANS L'APPAREIL

Compartment du réfrigérateur

Le compartiment du réfrigérateur est utilisé pour garder les aliments frais pendant quelques jours.

- Ne placez pas les aliments en contact direct avec la paroi arrière du compartiment du réfrigérateur. Laissez un peu d'espace entre les aliments afin de permettre la circulation de l'air.
- Ne placez pas des aliments chauds ou des liquides qui s'évaporent dans le réfrigérateur. Gardez toujours les aliments dans des récipients fermés ou emballés
- Pour réduire l'humidité et éviter la formation de gel, ne placez jamais des liquides dans des récipients ouverts à l'intérieur du réfrigérateur.
- Nous vous conseillons de placer la viande, quelque soit le type, dans un emballage fermé sur l'étagère vitrée juste au-dessus du compartiment des légumes, là où l'air est plus froid.
- Vous pouvez mettre les fruits et les légumes dans le bac à légumes sans être emballés.
- Pour ne pas que l'air froid s'échappe, n'ouvrez pas la porte trop souvent, et ne laissez pas la porte ouverte trop longtemps.

Compartment du congélateur

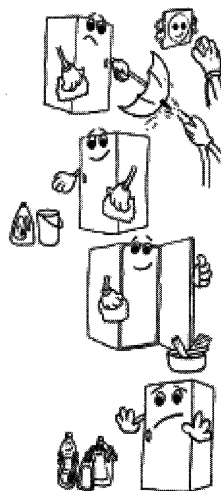
Le compartiment du congélateur est utilisé pour congeler les aliments frais et pour stocker les aliments congelés selon le temps indiqué sur l'emballage, et pour faire des cubes de gel.

- **Pour congeler des aliments frais** ; emballez et fermez les aliments frais correctement. L'emballage doit être hermétique. Des sacs spéciaux pour la congélation, des feuilles d'aluminium (de grande qualité, dans le doute emballez doublement), des sacs en polyéthylène ou des récipients en plastique sont idéals.
- Ne mettez pas en contact les aliments frais que vous voulez congeler avec les aliments déjà congelés.
- Marqués toujours la date et le contenu sur l'emballage et ne dépassez pas le temps de stockage établi.
- En cas de panne ou de mauvais fonctionnement, le compartiment du congélateur maintiendra une température basse suffisante pour le stockage des aliments. Toutefois, évitez d'ouvrir la porte du congélateur pour ralentir l'augmentation de la température à l'intérieur du congélateur.
- La quantité maximum d'aliments frais qui peut être gardée dans le congélateur pendant 24 heures est indiquée dans la plaquette du nom (voir Capacité de Congelation).
- Ne placez jamais des aliments chauds dans le congélateur.
- **Quand vous achetez ou stockez des produits alimentaires congelés**, certifiez-vous que l'emballage n'est pas endommagé.
- Le temps de stockage et la température recommandée pour garder des aliments congelés sont indiqués sur l'emballage. Pour garder et utiliser, suivez les instructions du fabricant. S'il n'y a aucune indication, les aliments ne doivent pas être gardés pendant plus de 3 mois.
- Placez les aliments congelés dans le congélateur le plus rapidement possible après l'achat.
- Une fois que l'aliment est décongelé, il ne doit pas être congelé de nouveau. Vous devez le cuisiner le plus rapidement possible pour le consommer ou le congeler de nouveau.
- **Quand vous faites des cubes de gel**, remplissez le plateau de gel avec de l'eau et placez-le dans le congélateur. Quand l'eau devient gel, vous pouvez tordre le plateau comme indiqué ci-dessous pour obtenir les cubes de gel.

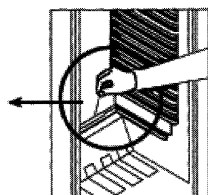
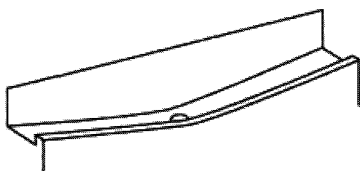


PARTIE 4. NETTOYAGE ET ENTRETIEN

- **Débranchez l'appareil de la prise de courant avant le nettoyage.**
- Ne versez pas d'eau sur l'appareil.
- Le compartiment du réfrigérateur doit être nettoyé périodiquement avec une solution de bicarbonate de soude et de l'eau tiède.
- Nettoyez les accessoires séparément avec de l'eau et du savon. Ne les placez pas dans le lave-vaisselle.
- N'utilisez pas des produits abrasifs, détergents ou savons. Après le lavage, rincez avec de l'eau propre et séchez soigneusement. Quand vous avez terminé le nettoyage, rebranchez la prise avec les **maines sèches**.



Dégivrage du compartiment du réfrigérateur.



- Le dégivrage se produit automatiquement dans le compartiment du réfrigérateur pendant le fonctionnement, l'eau dégivrée est recueillie par le plateau d'évaporation et s'évapore automatiquement.
- Le plateau d'évaporation et le trou d'évacuation de l'eau dégivrée doivent être nettoyés périodiquement avec le bouchon d'évacuation du dégivrage pour éviter que l'eau soit recueillie en bas du réfrigérateur au lieu de s'écouler.
- Vous pouvez aussi verser V2 verre d'eau dans le trou d'évacuation pour nettoyer l'intérieur.

Dégivrage du compartiment du congélateur (si nécessaire) :

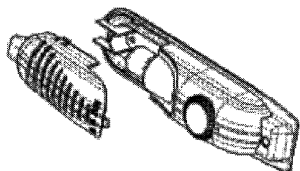
ATTENTION : N'utilisez jamais des outils pointus en métal, à moins que ce soit recommandé par le fabricant, pour cette opération, parce qu'ils peuvent endommager le circuit de réfrigération.

Après un certain temps, du gel se formera dans certains endroits du congélateur. Le gel, accumulé dans le congélateur, doit être retiré périodiquement (utilisez le racloir en plastique si disponible).

Un dégivrage complet est nécessaire si la couche de gel est supérieure à 3-5 mm afin de maintenir une congélation efficace.

- Le jour qui précède le dégivrage, réglez le thermostat sur la position "5" pour congeler complètement les aliments.
- Pendant le dégivrage, les aliments congelés doivent être emballés dans plusieurs couches de papier et stockés dans un endroit froid. L'augmentation inévitable de la température réduira leur vie de stockage. Vous devez utiliser ces aliments à court terme.
- Réglez le bouton du thermostat sur la position "0" et débranchez l'appareil.
- Laissez la porte ouverte pour accélérer le dégivrage. Retirez l'eau dégivrée du compartiment.
- Nettoyez l'intérieur à la main avec de l'eau et un peu de détergent. **N'utilisez jamais des produits abrasifs ou des agents de nettoyage agressifs.**
- Séchez l'intérieur de l'unité, branchez et réglez le bouton du thermostat sur la position "5". Après 24 heures, réglez le thermostat dans la position désirée.

Remplacer l'ampoule



Quand vous remplacez l'ampoule du compartiment du réfrigérateur :

1. Débranchez l'appareil de la prise de courant,
2. Pressez les crochets sur les côtés du dessus du couvercle de la lampe et retirez le couvercle de la lampe.
3. Remplacez l'ampoule actuelle par une autre inférieure à 15 W.
4. Remettez le couvercle de la lampe et après 5 minutes, branchez l'unité.

PARTIE 5. AVANT D'APPELER LE SERVICE APRÈS-VENTE

Si votre réfrigérateur ne fonctionne pas correctement, il doit y avoir un petit problème c'est pourquoi vous devez faire les vérifications suivantes.

L'appareil ne fonctionne pas, vérifiez si ;

- Il y a une coupure de courant,
- La prise n'est pas correctement branchée, ou est détachée
- Le thermostat est réglé sur la position "0",
 - La prise est défectueuse. Pour faire cette vérification, branchez un autre appareil qui fonctionne dans cette prise.

L'appareil ne fonctionne pas correctement ; Vérifiez si ;

- Si vous avez surchargé l'appareil,
- Les portes ne sont pas correctement fermées,
 - Il n'y a pas assez de gaines de ventilation dans l'unité de la cuisine comme indiqué dans le manuel d'installation.

s'il y a du bruit ;

Le gaz de refroidissement qui circule dans le circuit du réfrigérateur peut faire un peu de bruit (son bouillonnant) même quand le compresseur n'est pas en marche. Ne vous inquiétez pas, c'est presque normal. Si ces sons sont différents, vérifiez si ;

- L'appareil est installé correctement selon la description dans le manuel d'installation.
- Les objets sur l'appareils vibrent.

S'il y a de l'eau dans la partie inférieure du réfrigérateur ;

Vérifiez si ;

Le trou d'évacuation pour l'eau dégivrée n'est pas bouché (utilisez le bouchon d'évacuation du dégivrage pour nettoyer le trou d'évacuation).

Recommandations

- **Pour augmenter l'espace** et améliorer les apparences, La "section de refroidissement" des réfrigérateurs est placée à l'intérieur de la paroi arrière du compartiment du réfrigérateur. Quand le compresseur est en fonctionnement, cette paroi est couverte de gel ou de gouttes d'eau. Ne vous inquiétez pas. C'est presque normal. Vous devez dégivrer l'appareil s'il y a une couche excessive de gel sur la paroi arrière.
- **Si vous n'utilisez pas l'appareil pendant un long moment** (par exemple pendant les vacances d'été), réglez le bouton du thermostat sur la position "0". Dégivrez et nettoyez le réfrigérateur et laissez la porte ouverte pour empêcher la formation de rouille et d'odeur.

PARTIE 6. LES PARTIES DE L'APPAREIL ET LES COMPARTIMENTS

- 1) ÉTAGÈRE DU RÉFRIGÉRATEUR
- 2) COUVERCLE DU BAC À LÉGUMES (VERRE DE SÉCURITÉ)
- 3) BAC À LÉGUMES
- 4) PIÉDS GAUCHE&DROIT
- 5) BOÎTE DU THERMOSTAT
- 6) COMPARTIMENT DU CONGÉLATEUR(*)
- 7) ÉTAGÈRE POUR LES OEUFS
- 8) ÉTAGÈRE POUR LES BOUTEILLES
- 9) ÉTAGÈRE DU MILIEU
- 10) ÉTAGÈRE POUR LE BEURRE
- 11) COUVERCLE DE L'ÉTAGÈRE POUR LE BEURRE
- 12) RACLOIR EN PLASTIQUE(*)
- 13) **BAC A GLACONS**

(*) SEULEMENT DANS CERTAINS MODÈLES.

INHALT

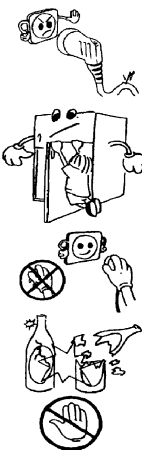
Teil 1: VOR INBETRIEBNAHME DES GERÄTES	27
• Sicherheitsvorschriften	27
• Empfehlungen	27
• Einschalten des Gerätes	28
Teil 2: BEDIENUNG DES GERÄTES	29
• Einstellung des Thermostates	29
• Anzeige	30
Teil 3: LAGERUNG VON LEBENSMITTELN IM GERÄT	31
• Kühlfach	31
• Gefrierfach	31
Teil 4: REINIGUNG UND PFLEGE	32
• Abtauen	32
• Auswechseln der Glühlampe	33
Teil 5: BEVOR SIE IHREN KUNDENSERVICE ANRUFEN	34
Teil 6: TEILE UND FÄCHER DES GERÄTES	35

- Die Bedienungsanleitung gilt für verschiedene Modelle. Deshalb können Unterschiede auftreten.

Teil 1 VOR INBETRIEBNAHME DES GERÄTES

• Sicherheitsvorschriften

- Bitte lesen Sie diese Anleitung gründlich, bevor Sie das Gerät installieren und einschalten. Der Hersteller übernimmt für unsachgemäße Installation und falschen Gebrauch keine Verantwortung.
- **Achtung: Die Lüftungsschlitze am Einbaugehäuse des Gerätes müssen frei sein.**
- Ersetzt dieses Gerät eines mit einem „Schloss“, entfernen Sie dieses aus Sicherheitsgründen um sicherzustellen, dass sich keine Kinder darin einsperren können.
- Sollte das Modell Isobutan (R600a) enthalten, ein natürliches Gas mit hoher Umweltverträglichkeit, ist Vorsicht geboten, da Isobutan entzündbar ist. Grundsätzlich muss sichergestellt werden, dass die Kühlleitungen beim Transport oder bei der Installation des Gerätes nicht beschädigt werden. Für den Fall, dass der Kühlkreislauf beschädigt wurde, vermeiden Sie offenes Feuer und entzündbares Material und lüften Sie den Raum, in dem das Gerät steht.
- Beschädigen Sie den Kühlkreislauf nicht.
- Erlauben Sie Kindern nicht, mit dem Gerät zu spielen. Kinder dürfen sich nicht in die Fächer setzen oder an die Tür hängen.
- Benutzen Sie keine Adapter oder Nebenanschlüsse, dies könnte zu Überhitzung oder Brand führen.
- Benutzen Sie keine alten, geknickten Stromkabel.
- Verdrehen und biegen Sie nicht die Kabel und legen Sie sie nicht in die Nähe von heißen Oberflächen.



- Stecken Sie das Stromkabel nicht mit nassen Händen ein.
- Ihre alten Geräte enthalten Isolationsgas und Kühlfllüssigkeit, die ordnungsgemäß entsorgt werden müssen. Bitte achten Sie darauf, dass der Kühlkreislauf nicht beschädigt wird bevor das Gerät zur Entsorgung gebracht wird.
- Vergewissern Sie sich, dass nach der Montage das Stromkabel nicht unterhalb des Gerätes eingeklemmt ist.

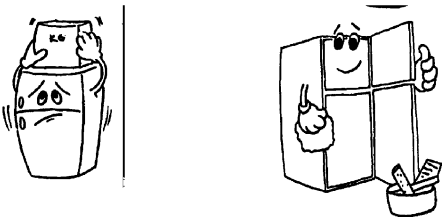
• Empfehlungen

- Tauen Sie das Gerät nicht mit Hilfe von anderen elektrischen Geräten (z.B. Haarföhn) oder anderen Hilfsmitteln ab und verwenden Sie keine scharfen Metallgegenstände, um das Eis im Gefrierfach zu entfernen. Dies könnte das Kühlsystem schädigen.
- Lassen Sie weder im Kühlschrank noch im Gefrierfach elektrische Geräte laufen.

- Legen Sie keine mit Flüssigkeit (speziell sprudelnde Flüssigkeiten) gefüllten Flaschen (Glas oder Dosen) in das Gefrierfach, weil die Flaschen beim Gefrieren zerplatzen könnten.
- Berühren Sie die Kühloberflächen nicht, während das Gerät eingeschaltet ist, besonders nicht mit nassen Händen, weil die Haut an den kalten Flächen kleben bleiben könnte.
- Essen Sie kein Eis, das gerade aus dem Gefrierfach entfernt wurde.

Einschalten des Gerätes

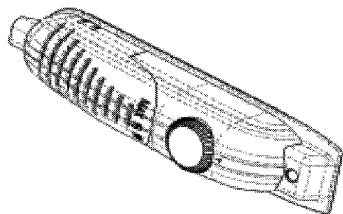
- Bevor Sie das Gerät einschalten, stellen Sie es in aufrechte Position und warten Sie mindestens drei Stunden, ohne es noch einmal zu bewegen. Somit stabilisiert sich der Kühlkreislauf und kann zuverlässig arbeiten.
- Reinigen Sie das Gerät sorgfältig vor dem Gebrauch, besonders innen (siehe Reinigung und Pflege).
- Die Montage des Gerätes und der elektrischen Verbindungen muss von einem qualifizierten Techniker ausgeführt werden, gemäß der Montageanleitung und den lokal gültigen Vorschriften.
- Die Montage in eine Einbauküche ist in der Montageanleitung beschrieben. Dieses Produkt kann nur in dafür geeignete Küchen eingebaut werden.
- Das Gerät muss in eine fest montierte Steckdose eingesteckt werden. Stromversorgung (Wechselstrom) und Spannung am Betriebspunkt müssen mit den Angaben auf dem Typenschild des Gerätes übereinstimmen (das Schild befindet sich auf der linken Innenseite des Gerätes).
- Stecken Sie den Stecker in eine Steckdose mit einer einwandfreien Erdung. Wenn die Steckdose keinen Erdkontakt hat oder der Stecker nicht passt, schlagen wir vor, einen zugelassenen Elektriker zu Hilfe zu holen.
- **Der Hersteller ist nicht für einen Ausfall der Erdleitung, wie in dieser Anleitung beschrieben, verantwortlich.**



- Wenn Sie das Gerät zum ersten Mal einschalten, können Gerüche auftreten. Diese verschwinden, sobald das Gerät mit der Kühlung beginnt.

Teil 2 BEDIENUNG DES GERÄTES

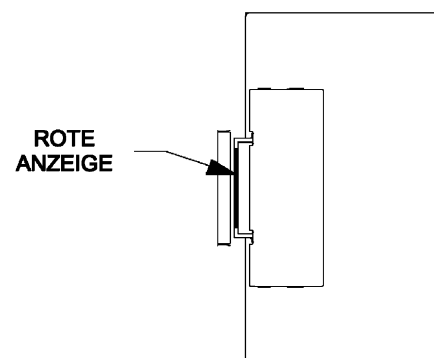
Einstellung des Thermostates



- Der Thermostat reguliert automatisch die Innentemperatur des Kühl- und Gefrierfaches. Durch Drehen des Knopfes von Position 1 nach 5, können Sie kältere Temperaturen erzielen.
- Die Position „0“ bedeutet, dass das Thermostat ausgeschaltet ist und dass nicht gekühlt werden kann.
- Für kurzzeitige Lagerung von Lebensmitteln im Gefrierfach können Sie den Knopf zwischen minimaler und mittlerer Position einstellen (1-3).
- Für langzeitige Lagerung von Lebensmitteln im Gefrierfach stellen Sie den Knopf auf die mittlere Position (3-4).
- **Beachten Sie, dass sich Zimmertemperatur, Temperatur der gelagerten Lebensmittel und das Öffnen und Schließen der Tür auf die Temperatur in den Kühl- und Gefrierfächern auswirken. Falls notwendig, ändern Sie die Temperatureinstellung am Gerät.**
- *Wenn Sie das Gerät zum ersten Mal einschalten, sollte es idealerweise die ersten 24 Stunden ohne Lebensmittel laufen und die Türe sollte nicht geöffnet werden. Sollten Sie das Gerät sofort benötigen, legen Sie möglichst wenige Lebensmittel hinein.*
- *Wenn das Gerät ausgeschaltet oder ausgesteckt wird, müssen mindestens 5 Minuten vergehen, bis Sie es wieder in Betrieb nehmen, um den Kompressor nicht zu beschädigen.*
- **Kühlschränke (mit 4 Sterne-Gefrierfach):** Das Gefrierfach kühlt bis auf – 18°C und weniger herunter.
- **Vollraumkühlschränke (ohne Gefrierfach):** Vollraumkühlschränke haben kein Gefrierfach, können aber auf 4 – 6°C herunter kühlen.

„Tür offen“ – Anzeige: (für eintürige Kühlschränke mit Gefrierfach)

- Die „Tür offen“-Anzeige am Schloss zeigt an, ob die Tür richtig verschlossen ist oder nicht.
- **Wenn die rote Anzeige sichtbar ist, ist die Türe noch offen.**
- **Wenn die rote Anzeige nicht sichtbar ist, ist die Türe korrekt verschlossen.**
- **Beachten Sie, dass die Türe des Gefrierfaches immer gut verschlossen ist.** Somit wird das Auftauen der Lebensmittel im Gefrierfach verhindert; dickes Eis und Frostaufbau im Gefrierfach sowie unnötig steigender Energieverbrauch werden somit vermieden.



Teil 3 LAGERUNG VON LEBENSMITTELN IM GERÄT

Kühlfach

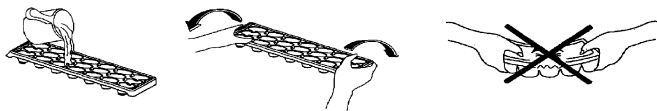
Das Kühlfach wird benutzt, um frische Lebensmittel für einige Tage zu lagern.

- Platzieren Sie Ihre Lebensmittel so, dass sie die Rückwand des Kühlfaches nicht berühren. Lassen Sie zwischen den Lebensmitteln etwas Freiraum, damit die Luft zirkulieren kann.
- Geben Sie kein heißes Essen oder dampfende Flüssigkeit in den Kühlschrank.
- Lagern Sie Lebensmittel immer in verschlossenen Behältern oder eingewickelt.
- Um Feuchtigkeit zu reduzieren und Eisbildung zu verhindern, geben Sie niemals Flüssigkeit in unverschlossenen Behältern in den Kühlschrank.
- Jegliche Art von verpacktem Fleisch sollte auf dem Glasboden oberhalb des Gemüsefaches gelagert werden, wo die Luft kühler ist.
- Obst und Gemüse können Sie ohne Verpackung im Gemüsefach lagern.
- Um zu vermeiden, dass kalte Luft entweicht, versuchen Sie, den Kühlschrank nicht zu oft zu öffnen und lassen Sie die Türe nicht lange offen stehen.

Gefrierfach

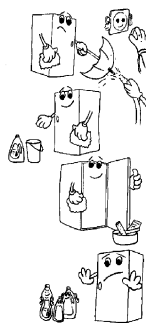
Das Gefrierfach dient zum Einfrieren frischer Lebensmittel und zur Lagerung von gefrorenen Lebensmitteln für den auf der Packung angegebenen Zeitraum sowie zur Herstellung von Eiswürfeln.

- **Um frische Lebensmittel einzufrieren;** wickeln und schließen Sie die Lebensmittel fest ein, so dass die Verpackung luftdicht ist und keine Flüssigkeit ausfließen kann. Spezielle Gefrierbeutel, Aluminiumfolie (festere Qualität, im Zweifelsfall doppelt einwickeln), Polyäthylenbeutel und Plastikbehälter sind ideal.
- Die frischen Lebensmittel sollten die bereits gefrorenen nicht berühren.
- Schreiben Sie immer das Datum und den Inhalt auf das Paket und überschreiten Sie nicht das Verfallsdatum.
- Im Falle eines Stromausfalles oder schlechter Funktion des Gerätes hält das Gefrierfach eine ausreichend niedrige Temperatur für die Lagerung von Lebensmitteln. Vermeiden Sie jedoch, die Türe des Gefrierfaches zu öffnen, um den Temperaturanstieg im Gefrierfach zu verlangsamen.
- Die Höchstmenge frischer Lebensmittel, die innerhalb von 24 Stunden in das Gefrierfach gegeben werden kann, steht auf dem Typenschild (siehe Gefrierkapazität).
- Stellen Sie niemals warmes Essen in das Gefrierfach.
- **Beim Kauf und der Lagerung gefrorener Lebensmittel:** Achten Sie auf unversehrte Verpackung.
- Die Lagerzeit und die empfohlene Lagertemperatur für gefrorene Lebensmittel stehen auf der Packung. Für Lagerung und Verbrauch halten Sie sich bitte an die Herstelleranweisungen. Falls Sie keine Informationen finden: Lebensmittel sollten nicht länger als 3 Monate gelagert werden.
- Geben Sie gefrorene Lebensmittel schnellstmöglich nach dem Kauf in das Gefrierfach.
- Wenn Lebensmittel einmal aufgetaut wurden, dürfen sie nicht wieder eingefroren werden. Sie müssen sie schnellstmöglich verarbeiten, um sie anschließend zu verbrauchen oder wieder einzufrieren.
- Zur Herstellung von Eiswürfeln füllen Sie den Eiswürfelbehälter mit Wasser und geben ihn in das Gefrierfach. Sobald das Wasser ganz gefroren ist, drehen Sie den Behälter – siehe unten – um die Eiswürfel zu entnehmen.

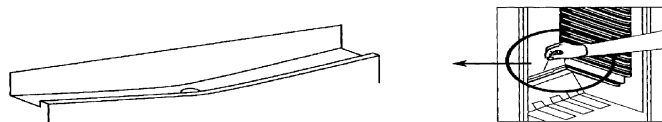


Teil 4 REINIGUNG UND PFLEGE

- Ziehen Sie den Stecker vor Reinigung des Gerätes.
- Schütten Sie kein Wasser über das Gerät.
- Das Kühlfach sollte regelmäßig mit einer Lösung aus Natriumhydrogencarbonat und handwarmem Wasser gereinigt werden.
- Die Zubehöerteile können mit Spülmittel und Wasser gereinigt werden. Bitte nicht in den Geschirrspüler geben.
- Benutzen Sie keine Scheuermittel, scharfe Reinigungsmittel oder Seifen. Nach der Reinigung spülen Sie mit klarem Wasser nach und trocknen das Gerät vorsichtig ab. Wenn Sie die Reinigungsarbeiten beendet haben, schalten Sie den Kühlschrank mit **trockenen Händen** wieder an.



Abtauen des Kühlfaches:



- Das Kühlfach taut während des Betriebes selbständig ab; das Abtauwasser läuft in eine Verdunstungsschale und verdunstet automatisch.
- Die Verdunstungsschale und das Abtauwasser-Abflussloch sollten regelmäßig mit dem Ablassstopfen gereinigt werden damit sich kein Wasser am Boden des Kühlfaches ansammeln kann, anstatt abzufließen.
- Sie können auch ein halbes Glas Wasser in das Abflussloch gießen, um es innen zu reinigen.

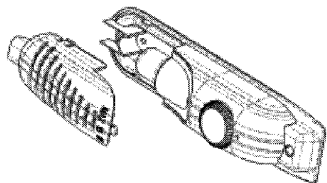
Abtauen des Gefrierfaches (falls vorhanden):

Achtung: Benutzen Sie niemals scharfe Metallgegenstände für diesen Vorgang, da sie den Kühlkreislauf beschädigen können, außer es wird vom Hersteller empfohlen.

Nach einer gewissen Zeit wird sich Eis in bestimmten Bereichen des Gefrierfaches bilden. Es sollte regelmäßig entfernt werden (benutzen Sie den Plastikschaber, falls vorhanden).

- Das Gefrierfach muss ganz abgetaut werden, wenn die Eisschicht dicker als 3-5 mm ist, damit gewährleistet bleibt, dass das Gefrierfach zuverlässig arbeitet.
- Einen Tag bevor Sie das Gefrierfach abtauen, stellen Sie das Thermostat auf Position „5“, um die Lebensmittel vollständig einzufrieren.
- Während des Abtauens sollten die gefrorenen Lebensmittel in mehrere Papierlagen gewickelt werden und an einem kühlen Ort aufbewahrt werden. Ein unvermeidlicher Temperaturanstieg wird ihre Haltbarkeit verringern. Verbrauchen Sie diese Lebensmittel innerhalb kürzester Zeit.
- Stellen Sie den Thermostatknopf auf Position „0“ und schalten Sie das Gerät aus.
- Lassen Sie die Türe auf, damit das Gerät schneller abtauen kann. Entfernen Sie das Abtauwasser aus dem Fach.
- Reinigen Sie die Innenseite des Gefrierfaches von Hand mit lauwarmem Wasser und etwas Reinigungsmittel. Benutzen Sie niemals Scheuermittel oder aggressive Reiniger.
- Trocknen Sie die Innenseite des Gefrierfaches, stecken Sie das Netzkabel ein und stellen Sie den Thermostatknopf auf Position „5“. Nach 24 Stunden stellen Sie das Thermostat wieder auf die gewünschte Position.

Austausch der Glühlampe



Beim Austausch der Glühlampe im Kühlfach:

1. Ziehen Sie den Netzstecker des Gerätes.
2. Drücken Sie die seitlichen Haken der Lampenabdeckung und nehmen Sie die Abdeckung ab.
3. Ersetzen Sie die Lampe durch eine neue mit maximal 15 W.
4. Setzen Sie die Abdeckung wieder auf und stecken Sie nach 5 Minuten das Gerät wieder ein.

Teil 5 BEVOR SIE IHREN KUNDENSERVICE ANRUFEN

Sollte Ihr Kühlschrank nicht richtig funktionieren, kann es durchaus nur an einer Kleinigkeit liegen, deshalb überprüfen Sie Folgendes:

Das Gerät funktioniert nicht

Prüfen Sie, ob

- es sich um einen Stromausfall handelt
- der Netzstecker nicht richtig eingesteckt oder locker ist
- das Thermostat auf Position „0“ eingestellt ist
- die Steckdose defekt ist. Um dies zu prüfen, stecken Sie ein anderes Gerät, von dem Sie wissen, dass es funktioniert, in dieselbe Steckdose.

Das Gerät läuft nur schwach

Prüfen Sie, ob

- Sie das Gerät überladen haben
- die Türen eventuell nicht gut verschlossen sind
- evtl. nicht genügend Lüftungsschlitze in der Einbauküche sind, wie in der Montageanleitung beschrieben.

Bei Geräuschen

Das Kühlgas, das durch den Kühlkreislauf fließt, kann ein leichtes Geräusch verursachen (blubbernd), auch wenn der Kühlschrank nicht läuft. Sie brauchen keine Bedenken haben, das ist normal. Sollten sich die Geräusche anders anhören, überprüfen Sie, ob

- das Gerät, wie in der Montageanleitung beschrieben, fest montiert ist
- Dinge, die auf dem Gerät stehen, vibrieren

Wenn sich Wasser am Boden des Kühlschranks befindet, prüfen Sie, ob

das Abflussloch für Abtauwasser verstopft ist (benutzen Sie den Ablassstopfen zur Reinigung).

• Empfehlungen:

- **Um mehr Platz zu schaffen** und das Erscheinungsbild zu verbessern, befindet sich das „Kühlelement“ von Kühlschränken in der Rückwand des Kühlfaches. Wenn das Gerät in Betrieb ist, bilden sich an der Wand Wassertropfen oder Eis. Sie brauchen keine Bedenken zu haben, das ist völlig normal. Das Gerät sollte nur dann abgetaut werden, wenn sich an der Rückwand eine dicke Eisschicht befindet.
- **Wenn das Gerät für längere Zeit nicht benutzt wird** (z.B. während der Sommerferien), stellen Sie den Thermostatkopf auf Position „0“. Tauen Sie den Kühlschrank ab, reinigen Sie ihn und lassen anschließend die Tür offen, um Schimmel- und Geruchsbildung zu vermeiden.

TEIL 6 TEILE UND FÄCHER DES GERÄTES

- 1) Ablagefläche Kühlraum**
- 2) Gemüsefachabdeckung (Sicherheitsglas)**
- 3) Gemüsefach**
- 4) linker und rechter Fuß**
- 5) Thermostat**
- 6) Gefrierfach (*)**
- 7) Eierablage**
- 8) Türabstellregal für Flaschen**
- 9) Türabstellregal mittlere Ebene**
- 10) Türabstellregal obere Ebene**
- 11) Abdeckung obere Ebene**
- 12) Plastikschaber (*)**
- 13) Eiswürfelschale (*)**

(*) nur bei einigen Modellen

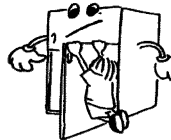
INHOUD

DEEL 1: ALVORENS HET APPARAAT TE GEBRUIKEN	37
• Veiligheidsinstructies	37
• Aanbevelingen	38
• Het apparaat inschakelen	38
DEEL 2: BEDIENEN VAN HET APPARAAT	39
• Instellen van de thermostaat	39
• "Deur open"-indicator	40
DEEL 3: BEWAREN VAN VOEDINGSWAREN IN HET APPARAAT	41
• Koelkastcompartiment	41
• Diepvriescompartiment	42
DEEL 4: REINIGING EN ONDERHOUD	43
• Ontdooien van het koelkastcompartiment	43
• Vervangen van de lamp	44
DEEL 5: ALVORENS DE REPARATIEDIENST TE BELLEN	45
DEEL 6: ONDERDELEN VAN HET APPARAAT EN DE COMPARTIMENTEN	46

Deze gebruiksaanwijzing heeft betrekking op verschillende modellen.
Daarom kunnen er verschillen voorkomen.

DEEL 1 ALVORENS HET APPARAAT TE GEBRUIKEN**Veiligheidsinstructies**

- **Gelieve dit boekje grondig te lezen alvorens het apparaat te installeren en in te schakelen. De fabrikant kan niet aansprakelijk worden gesteld voor een foute installatie of een verkeerd gebruik.**
- **WAARSCHUWING: houd ventilatieopeningen in de behuizing van het apparaat of in de inbouwstructuur vrij van belemmeringen.**
- Als dit apparaat in de plaats komt van een oud apparaat dat is uitgerust met een slot, dient u het slot van het oude apparaat stuk te maken of te verwijderen om te voorkomen dat kinderen zichzelf zouden opsluiten in de koelkast.
- Als het model het koelmiddel isobuteen (R600a) bevat, een natuurlijk en uiterst milieuvriendelijk gas, is voorzichtigheid geboden aangezien isobuteen uiterst ontvlambaar is. Het is belangrijk ervoor te zorgen dat de koelmiddelleidingen niet beschadigd raken tijdens het transporteren of installeren van het apparaat. Mocht de koelmiddelkring toch beschadigd raken, dient u open vlammen of ontstekingsbronnen te vermijden en de kamer waarin het apparaat zich bevindt goed te ventileren.
- Beschadig de koelmiddelkring niet.
- Sta kinderen niet toe met het apparaat te spelen. Er mogen nooit kinderen in de laden gaan zitten of aan de deur gaan hangen.
- Maak geen gebruik van adapters of shunts, die oververhitting of verbranding kunnen veroorzaken.
- Maak nooit gebruik van oude, beschadigde voedingskabels.
- Verdraai of buig de kabels niet en houd ze uit de buurt van hete oppervlakken.
- Steek de stekker nooit met natte handen in het stopcontact.
- Uw oude apparaten bevatten isolatiegassen en koelmiddelen die naar behoren moeten worden afgedankt. Zorg ervoor dat de koelmiddelkring niet beschadigd raakt alvorens het apparaat wordt weggevoerd om te worden afgedankt.
- Zorg ervoor dat de kabel na installatie niet onder het apparaat zit geklemd.

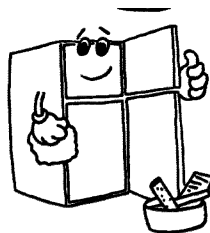
**Aanbevelingen**

- Ontdooi het apparaat nooit met andere elektrische apparaten (bijv. haardroger) of andere kunstmatige middelen, en gebruik nooit scherpe metalen voorwerpen om ijs van de koelkast- of diepvrieswanden te verwijderen, aangezien het koelsysteem daardoor beschadigd kan raken.
- Laat geen elektrische apparaten binnenin de koelkast of diepvries werken.

- Plaats geen (glazen of blikken) flessen met vloeistoffen (vooral geen sprankelende vloeistoffen) in de diepvries aangezien de flessen zouden kunnen barsten tijdens het vriezen.
- Raak de koeloppervlakken niet aan terwijl het apparaat werkt, vooral niet met natte handen, aangezien de huid zou kunnen blijven plakken aan de koude oppervlakken.
- Eet nooit ijs dat pas uit de diepvries werd gehaald.

Het apparaat inschakelen

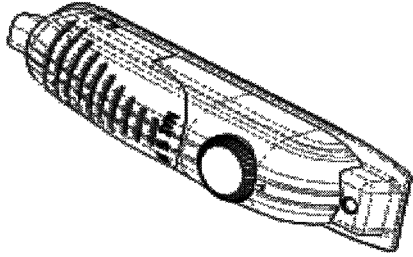
- Alvorens het in te schakelen dient u het apparaat rechtop te zetten en minstens drie uur te wachten zonder het apparaat te bewegen. Op die manier krijgt de koelkring de kans om tot rust te komen zodat hij daarna efficiënt kan werken.
- Reinig het apparaat grondig, vooral binnenin, alvorens het te gebruiken (zie "Reiniging en onderhoud").
- Het installeren van het apparaat en de elektrische aansluitingen moet worden uitgevoerd door een gekwalificeerde technicus, in overeenstemming met de installatiehandleiding en de plaatselijke voorschriften.
- De procedure voor het installeren van het apparaat in de keuken vindt u in de installatiehandleiding. Dit product is uitsluitend bestemd voor gebruik in gepaste keukenkastelementen.
- Het apparaat moet worden aangesloten op een naar behoren geïnstalleerd en van een zekering voorzien stopcontact. De voeding (AC) en spanning van het stopcontact moeten overeenstemmen met de gegevens op het typeplaatje van het apparaat (het typeplaatje bevindt zich op de linker binnenkant van het apparaat).
- Steek de stekker in een naar behoren geaard stopcontact. Als het stopcontact geen aarding heeft of als de stekker er niet in past, is het raadzaam de hulp in te roepen van een gekwalificeerde elektricien.
- **De fabrikant is niet aansprakelijk voor het niet tot stand brengen van de aardaansluiting zoals beschreven in dit boekje.**



- Het is mogelijk dat het apparaat een geur verspreidt wanneer het de eerste keer wordt ingeschakeld. Die zal verdwijnen zodra het apparaat begint te koelen.

DEEL 2 BEDIENEN VAN HET APPARAAT

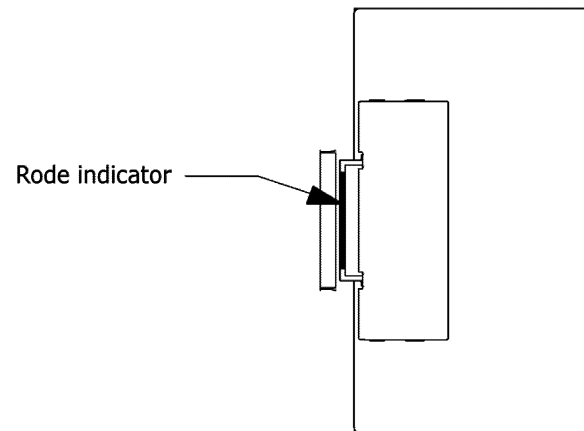
Instellen van de thermostaat



- De diepvries- en koelkastthermostaten regelen de temperatuur in de respectieve compartimenten automatisch. Hoe meer u de knop naar rechts draait (van stand 1 naar stand 5), hoe lager de temperaturen in het apparaat.
- In de stand "0" is de thermostaat uitgeschakeld en wordt er niet gekoeld.
- Om voedingswaren korte tijd te bewaren in het diepvriescompartiment, zet u de knop tussen de laagste en de middelste stand (1-3).
- Om voedingswaren lange tijd te bewaren in het diepvriescompartiment, draait u de knop in middelste stand (3-4).
- **Opmerking: de omgevingstemperatuur, de temperatuur van pas in het apparaat gelegde voedingswaren en de frequentie waarmee de deur van het apparaat wordt geopend, hebben een invloed op de temperatuur in de koelkast en de diepvries. Wijzig de temperatuurinstelling indien nodig.**
- *Wanneer u het apparaat de eerste keer inschakelt, zou u het gedurende 24 uur continu moeten laten werken zonder dat er iets in zit en zonder de deur te openen. Als u hem onmiddellijk moet gebruiken, tracht hem dan niet te vol te steken.*
- *Als het apparaat wordt uitgeschakeld of losgekoppeld van het stroomnet, moet u minstens 5 minuten wachten alvorens het apparaat weer in te schakelen, om schade aan de compressor te voorkomen.*
- **KOELKASTEN (met 4 sterren):** De diepvries van de koelkast haalt temperaturen van -18°C en lager.
- **PROVISIEKASTEN (zonder sterren):** provisiekasten (koelkasten) hebben geen diepvriescompartiment en kunnen koelen tot een temperatuur van $4-6^{\circ}\text{C}$.

"Deur open"-indicator (voor koelkasten met enkele deur met diepvriescompartiment)

- De "Deur open"-indicator op de grendelschuif geeft aan of de deur al dan niet correct gesloten is.
- **Als de rode indicator zichtbaar is, is de deur nog open.**
- **Als de rode indicator niet zichtbaar is, is de deur correct gesloten.**
- **Denk eraan dat de diepvriesdeur altijd goed gesloten moet worden gehouden.** Dat voorkomt dat de voedingswaren in de diepvries zouden ontdooien, dat er te dikke ijslagen kunnen worden gevormd in de diepvries en dat er energie wordt verspild.



DEEL 3 BEWAREN VAN VOEDINGSWAREN IN HET APPARAAT**Koelkastcompartiment**

Het koelkastcompartiment wordt gebruikt om verse voedingswaren enkele dagen te bewaren.

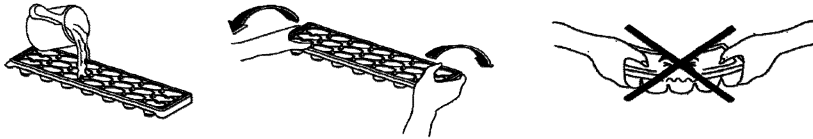
- Zorg ervoor dat de voedingswaren niet in contact komen met de achterwand van het koelkastcompartiment. Laat wat ruimte rondom de voedingswaren om een goede luchtcirculatie mogelijk te maken.
- Plaats nooit hete voedingswaren of dampende vloeistoffen in de koelkast.
- Plaats de voedingswaren in gesloten containers of ingepakt in de koelkast.
- Plaats nooit vloeistoffen in onafgedichte recipiënten in de koelkast, om te voorkomen dat het te vochtig wordt of dat er ijs wordt gevormd in de koelkast.
- Het is raadzaam alle ingepakte vleeswaren op het glazen blad net boven het groentevak te leggen, waar de lucht kouder is.
- Fruit en groenten mogen onverpakt in het groentevak worden gelegd.
- Open de deur van de koelkast niet te vaak en laat de deur nooit te lang openstaan, om te voorkomen dat er koude lucht ontsnapt.

Diepvriescompartiment

Het diepvriescompartiment wordt gebruikt voor het invriezen van verse voedingswaren, voor het bewaren van aangekochte diepgevroren voedingswaren gedurende de periode die wordt aangegeven op de verpakking, en voor het maken van ijsblokjes.

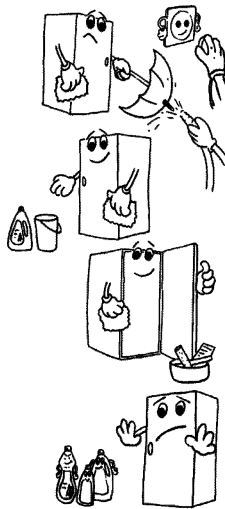
- **Voor het invriezen van verse voedingswaren:** verpak verse voedingswaren in luchtdichte en niet-lekkende verpakkingen. Ideaal zijn speciale diepvrieszakken, aluminiumfolie (dikke folie, twee keer omwikkelen als u twijfelt over de dikte), polyethyleen zakken en plastic recipiënten.
- Zorg ervoor dat de in te vriezen verse voedingswaren niet in contact komen met reeds ingevroren voedingswaren.
- Schrijf steeds de datum en de inhoud op de verpakking en bewaar ingevroren voedingswaren nooit langer dan de erop vermelde bewaardatum.
- In geval van een stroomonderbreking of een storing, zal het diepvriescompartiment een voldoende lage temperatuur handhaven voor het bewaren van de voedingswaren. Tracht echter te vermijden dat de diepvriesdeur in dergelijke gevallen worden geopend, om te voorkomen dat de temperatuur in het compartiment te vlug stijgt.
- De maximale hoeveelheid verse voedingswaren die binnen 24 uur in de diepvries kunnen worden gestoken, staat aangegeven op het typeplaatje (zie Vriescapaciteit).
- Plaats nooit warme voedingswaren in het diepvriescompartiment.
- **Aankopen en bewaren van diepgevroren voedingswaren:** ga na of de verpakking niet beschadigd is.

- De bewaartijd en de aanbevolen temperatuur voor de diepgevroren voedingswaren staat vermeld op de verpakking. Volg de instructies van de fabrikant voor bewaring en gebruik. Als er geen informatie op de verpakking staat, mag het product niet langer dan 3 maanden in de diepvries worden bewaard.
- Plaats diepgevroren voedingswaren zo vlug mogelijk na aankoop in het diepvriescompartiment.
- Eenmaal de voedingswaren ontdooid, mogen ze niet opnieuw worden ingevroren; ze moeten zo vlug mogelijk worden bereid om te worden opgegeten of om opnieuw te worden ingevroren.
- **Voor het maken van ijsblokjes** vult u het ijsbakje met water en plaatst u het in het diepvriescompartiment. Zodra het water volledig in ijs is veranderd, kunt u de blokjes er uit verwijderen door met het bakje te draaien, zoals hieronder wordt geïllustreerd.

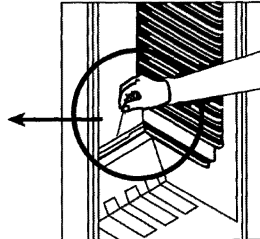
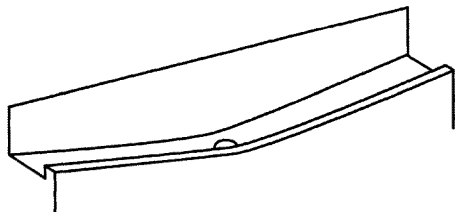


DEEL 4 REINIGING EN ONDERHOUD

- **Koppel het apparaat los van de voeding alvorens het te reinigen.**
- Giet nooit water over het apparaat.
- Het koelkastcompartiment moet regelmatig worden gereinigd met een oplossing van natriumbicarbonaat en lauw water.
- Reinig de accessoires afzonderlijk met zeep en water. Steek ze niet in de vaatwasmachine.
- Gebruik geen schuurproducten, detergenten of zepen. Na het wassen, spoelt u de oppervlakken af met schoon water en droogt u ze zorgvuldig af. Na het reinigen, steekt u de stekker opnieuw in het stopcontact met **droge handen**.



Ontdooien van het koelkastcompartiment



- Ontdooiing vindt automatisch plaats tijdens de werking van de koelkast; het dooiwater wordt opgevangen in het verdampingsbakje en het water wordt automatisch verdampt.
- Het verdampingsbakje en de dooiwaterafvoeropening moeten regelmatig worden gereinigd met de dooiwaterafvoerstop om te voorkomen dat het water blijft staan op de bodem van de koelkast in plaats van naar buiten te stromen.
- U kunt ook een ½ glas water in de afvoeropening gieten om ze langs binnen te reinigen.

Ontdooien van het diepvriescompartiment:

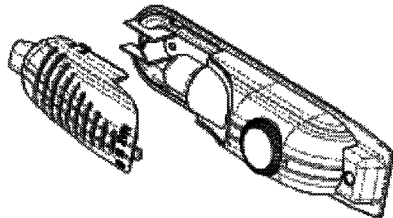
WAARSCHUWING: tenzij aanbevolen door de fabrikant mag u nooit scherpe metalen werktuigen gebruiken voor deze taak, aangezien die de koelkring zouden kunnen beschadigen.

Na een zekere tijd zal er ijs worden gevormd op bepaalde plaatsen in het diepvriescompartiment. Het in het diepvriescompartiment gevormde ijs moet regelmatig worden verwijderd (gebruik de plastic schraper indien beschikbaar).

Een volledige ontdooiing is noodzakelijk wanneer de ijslaag meer dan 3-5 mm dik is, om de doeltreffendheid van de diepvries te handhaven.

- Zet de thermostaat de dag voordat u de diepvries wilt ontdooien in de stand "5" om de voedingswaren volledig in te vriezen.
- Tijdens het ontdooien moeten bevroren voedingswaren in verschillende lagen papier worden gewikkeld en op een koude plaats worden bewaard. De onvermijdelijke temperatuurstijging zal hun bewaartijd verkorten. Zorg er dan ook voor dat deze voedingswaren binnen een relatief korte tijd worden geconsumeerd.
- Zet de thermostaatknop in de stand "0" en schakel het apparaat uit.
- Laat de deur open om het ontdooiingsproces te versnellen. Verwijder het dooiwater uit het compartiment.
- Reinig de binnenkant van de diepvries met de hand met lauw water en een beetje detergent. **Gebruik nooit schuurmiddelen of bijtende reinigingsmiddelen.**
- Veeg de binnenkant van het apparaat droog, steek de stekker in het stopcontact en draai de thermostaatknop in de stand "5". Draai de thermostaat na 24 uur opnieuw in de gewenste stand.

Vervangen van de lamp



Vervangen van het lampje van het koelkastcompartiment:

1. Trek de stekker uit het stopcontact.
2. Druk op de haakjes aan weerszijden van het lampafdekkapje en verwijder het afdekkapje.
3. Vervang de lamp door een nieuwe van ten hoogste 15 W.
4. Breng het lampafdekkapje weer aan, wacht 5 minuten en steek de stekker opnieuw in het stopcontact.

DEEL 5 ALVORENS DE REPARATIEDIENST TE BELLEN

Als uw koelkast niet correct werkt, kan dat een heel simpele oorzaak hebben. Controleer daarom eerst het volgende:

Het apparaat werkt niet.

Ga na of:

- er een stroomonderbreking is,
- de stekker correct in het stopcontact steekt of los zit,
- de thermostaat niet in de stand "0" staat,
- het stopcontact naar behoren werkt. Om dat te controleren, sluit u een apparaat waarvan u weet dat het correct werkt aan op hetzelfde stopcontact.

Het apparaat werkt niet goed.

Ga na of:

- u het apparaat niet te vol hebt gestoken,
- de deuren wel goed gesloten zijn,
- er voldoende ventilatieopeningen zijn in de keukenkasten, zoals aangegeven in de installatiehandleiding.

Als de koelkast vreemde geluiden maakt.

Het koelgas dat in de koelkast circuleert, kan een licht (borrelend) geluid maken, zelfs wanneer de compressor niet werkt. Dat is heel normaal. Als de koelkast andere geluiden maakt, gaat u na of:

- het apparaat stabiel geïnstalleerd werd, zoals beschreven in de installatiehandleiding.
- er geen voorwerpen op het apparaat staan of liggen die meetrillen.

Als er water onderin de koelkast staat, dient u na te gaan of:

de afvoeropening voor dooiwater niet verstopt zit (gebruik de dooiwaterafvoerstop om de afvoeropening te reinigen).

Aanbevelingen

- **Voor meer ruimte** en een beter voorkomen, wordt het "koelgedeelte" van koelkasten ingebouwd in de achterwand van het koelkastcompartiment. Wanneer de compressor werkt, is deze wand bedekt met ijs of waterdruppels. Maak u echter geen zorgen. Dat is heel normaal. Het apparaat moet alleen worden ontdooid wanneer de ijslaag op de achterwand te dik wordt.
- **Als het apparaat gedurende langere tijd niet wordt gebruikt** (bijvoorbeeld wanneer u met vakantie bent), dient u de thermostaatknop in de stand "0" te draaien. Ontdooi en reinig de koelkast met de deur open, ter voorkoming van de vorming van schimmel en geuren.

DEEL 6 ONDERDELEN VAN HET APPARAAT EN DE COMPARTIMENTEN

- 1) KOELKASTLEGLAK
- 2) GROENTEVAKLEGLAK (VEILIGHEIDSGLAS)
- 3) GROENTEVAK
- 4) VOETJES
- 5) THERMOSTAATKASTJE
- 6) DIEPVRIESCOMPARTIMENT(*)
- 7) EIERREKJE
- 8) FLESSENREK
- 9) MIDDENREKJE
- 10) BOTERREKJE
- 11) BOTERREKKAP
- 12) PLASTIC SCHRAPER(*)

(*) SLECHTS BIJ BEPAALDE MODELLEN

INDICE

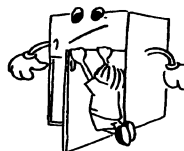
PARTE 1: PRIMA DI USARE L'ELETTRODOMESTICO	48
• Istruzioni per la sicurezza	48
• Avvertenze	48
• Accensione dell'elettrodomestico	49
PARTE 2: COME FUNZIONA L'ELETTRODOMESTICO	50
• Impostazione Termostato	50
• Spia luminosa	51
PARTE 3: SISTEMAZIONE DEL CIBO NELL'ELETTRODOMESTICO	52
• Scomparto frigo	52
• Scomparto Freezer	52
PARTE 4: PULIZIA E MANUTENZIONE	53
• Sbrinamento	53
• Sostituzione della lampadina	54
PARTE 5: PRIMA DI CHIAMARE IL SERVIZIO ASSISTENZA	55
PARTE 6: COMPONENTI DELL' ELETTRODOMESTICO E SCOMPARTI	56

- Le istruzioni operative si applicano a diversi modelli. Possono esserci perciò delle differenze.

PARTE :1 PRIMA DI USARE L'ELETTRODOMESTICO

Istruzioni per la sicurezza

- Leggere questo manuale prima di installare ed accendere l'elettrodomestico. Il produttore non si assume alcuna responsabilità per un'installazione e un utilizzo scorretti.
- **ATTENZIONE:** i fori per la ventilazione dell'elettrodomestico devono essere mantenuti liberi da ostacoli, secondo le istruzioni.
- Se questo elettrodomestico deve sostituire un vecchio frigorifero con serratura, rompere o rimuovere questa serratura come misura di sicurezza per evitare che i bambini possano chiudersi dentro.
- Se il modello contiene isobutano refrigerante (R600a), un gas naturale con un alto livello di compatibilità ambientale, è necessario prestare attenzione poiché l'isobutano è infiammabile. È essenziale assicurarsi che le tubazioni refrigeranti non si siano danneggiate durante il trasporto e l'installazione dell'elettrodomestico. Se il circuito refrigerante è danneggiato, tenere lontana qualsiasi fonte di possibile incendio e ventilare la stanza nella quale è situato l'elettrodomestico.
- Non danneggiare il circuito refrigerante.
- Non permettere ai bambini di giocare con l'elettrodomestico. I bambini non devono mai sedersi sui cassetti o appendersi allo sportello.
- Non utilizzare adattatori o shunt che potrebbero causare surriscaldamento o incendi.
- Non inserire cavi di alimentazione vecchi o deformati.
- Non torcere e piegare i cavi e tenerli lontano da superfici calde.



- Non collegarsi all'alimentazione con le mani bagnate.
- I vecchi elettrodomestici contengono gas isolanti e refrigeranti che devono essere smaltiti adeguatamente. Assicurarsi che il circuito refrigerante non venga danneggiato prima che l'elettrodomestico sia portato via per lo smaltimento.
- Dopo l'installazione, assicurarsi che il cavo di alimentazione non resti intrappolato sotto l'elettrodomestico.

Avvertenze

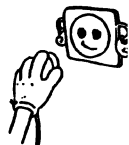
- Non sbrinare l'elettrodomestico con altri dispositivi elettrici (per esempio, asciugacapelli) o altri strumenti artificiali, e non usare oggetti metallici appuntiti per rimuovere il ghiaccio sul congelatore, poiché ciò potrebbe danneggiare il sistema refrigerante.
- Non utilizzare altri elettrodomestici elettrici all'interno del frigorifero o del congelatore.

- Non conservare nel congelatore bottiglie (in vetro, o lattine) contenenti liquidi (specialmente bevande gassate) che potrebbero provocare lo scoppio della bottiglia durante il congelamento.
- Non toccare le superfici refrigeranti mentre l'elettrodomestico è in funzione, specialmente con le mani bagnate perché la pelle potrebbe restare attaccata alle superfici fredde.
- Non mangiare il gelato appena rimosso dal congelatore.

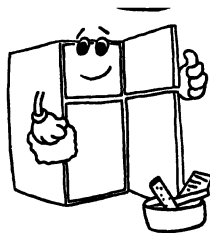
Accensione dell'elettrodomestico

- Prima di accendere l'elettrodomestico, metterlo in posizione eretta ed attendere almeno tre ore senza spostarlo. Ciò consentirà al circuito refrigerante di sistemarsi e funzionare in modo efficace.

- Pulire l'elettrodomestico, soprattutto all'interno, prima dell'uso (vedere Pulizia e manutenzione).



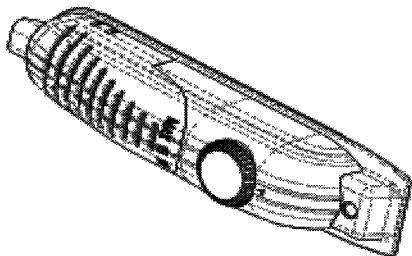
- L'installazione dell'elettrodomestico e dei collegamenti elettrici deve essere effettuata da un tecnico qualificato, secondo il Manuale per l'installazione e le norme locali.
- La procedura di installazione nella cucina componibile è descritta nel Manuale per l'installazione. Questo prodotto è progettato per essere usato esclusivamente in cucine componibili adatte.
- L'elettrodomestico deve essere collegato con una presa munita di valvole correttamente installata. L'alimentazione (AC) e il voltaggio al sito di funzionamento devono essere conformi ai dettagli presenti sulla targhetta con il nome dell'elettrodomestico (la targhetta si trova all'interno dell'apparecchio sulla sinistra).
- Inserire la spina in una presa dotata di un collegamento di terra efficace. Se la presa non ha contatto a terra o la spina non è adatta, consigliamo di chiamare un elettricista autorizzato per assistenza.
- **Il produttore non è responsabile per la mancata riuscita del collegamento a terra come descritto in questo manuale.**



- Ci potrebbe essere dell'odore quando accendete l'elettrodomestico per la prima volta. Scompare dopo che l'elettrodomestico inizia a raffreddare.

PARTE :2 COME FUNZIONA L'ELETTRODOMESTICO

Impostazione termostato

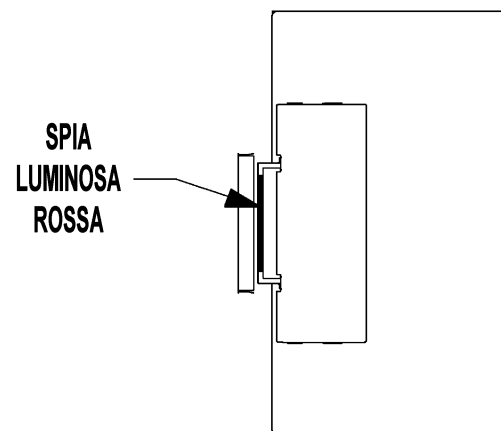


PARTE 2.

- Il termostato regola automaticamente la temperatura interna degli scomparti frigo e congelatore. Ruotando la manopola dalla posizione 1 alla 5, la temperatura può essere progressivamente raffreddata.
- La posizione "0" indica la chiusura del termostato e la mancata refrigerazione.
- Per la conservazione a breve termine del cibo nello scomparto congelatore, posizionare la manopola tra le posizioni minima e media (1-3).
- Per la conservazione a lungo termine del cibo nello scomparto congelatore, posizionare la manopola sulla posizione media (3-4).
- **Notare che:** la temperatura dello scomparto frigo e del congelatore può essere alterata dalla temperatura ambiente, dalla temperatura del cibo appena inserito e dal numero di volte in cui lo sportello viene aperto. Se necessario, modificare l'impostazione della temperatura.
- Quando l'elettrodomestico viene acceso per la prima volta, sarebbe opportuno lasciarlo per 24 ore senza cibo al suo interno, senza aprire lo sportello. Se è necessario usarlo subito, è opportuno non mettere troppo cibo al suo interno.
- Se l'elettrodomestico viene spento o la spina staccata, attendere almeno 5 minuti prima di riavviarlo o di reinserire la spina in modo da non danneggiare il compressore.
- **FRIGORIFERI (con 4 stelle):** il congelatore del frigorifero raffredda fino a -18°C e meno.
- **DISPENSE (senza valutazione in stelle):** le dispense (refrigeratori) non hanno un comparto congelatore ma possono raffreddare fino a 4-6°C.

Spia luminosa “Sportello aperto”: (per frigoriferi a porta singola con comparto congelatore)

- La spia luminosa “Sportello aperto” sulla serratura indica se lo sportello è chiuso bene o no.
- Se è visibile una spia rossa, lo sportello è ancora aperto.
- Se non è visibile una spia rossa, lo sportello è chiuso correttamente.
- Ricordarsi che lo sportello del congelatore deve essere sempre chiuso correttamente. Questo eviterà che il cibo all’interno del congelatore si scongeli; eviterà la formazione di ghiaccio e brina all’interno del congelatore e un inutile aumento nel consumo di energia.



PARTE :3 SISTEMAZIONE DEL CIBO NELL'ELETTRODOMESTICO

Scomparto frigo

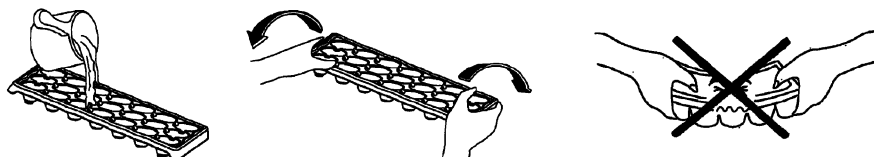
Lo scomparto frigo è usato per la conservazione di cibo fresco per alcuni giorni.

- Non mettere il cibo a contatto diretto con la parete posteriore dello scomparto frigo. Lasciare un po' di spazio intorno al cibo per consentire la circolazione dell'aria.
- Non mettere nel frigo cibo caldo o liquidi che evaporano.
- Conservare il cibo in contenitori chiusi o bene incartati.
- Per ridurre l'umidità ed evitare il formarsi di brina, non riporre mai nel frigo liquidi in contenitori aperti.
- Si consiglia di riporre ogni tipo di carne, in confezioni ben chiuse, sul ripiano di vetro sopra il contenitore delle verdure, dove l'aria è più fredda.
- La frutta e la verdura possono essere riposte nel loro scomparto senza essere impacchettate.
- Per evitare la fuoriuscita di aria fredda, non aprire con frequenza eccessiva lo sportello e non lasciare lo sportello aperto a lungo.

Scomparto congelatore

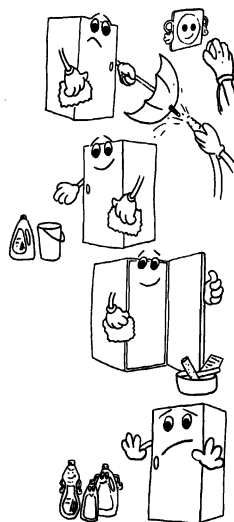
Lo scomparto congelatore è usato per congelare i cibi freschi e per conservarli per il periodo di tempo indicato sulla confezione, e per fare i cubetti di ghiaccio.

- **Per congelare cibi freschi:** confezionare e chiudere in modo corretto gli alimenti freschi, cioè l'aria deve essere espulsa e non devono esserci perdite. Sacchetti speciali da congelatore, carta argentata (di un certo spessore, nel dubbio incartare due volte), sacchetti in polietilene e contenitori di plastica sono l'ideale.
- Non lasciare che gli alimenti freschi da congelare entrino in contatto con alimenti già congelati.
- Segnare sempre la data e il contenuto sulla confezione e non superare la data di conservazione prevista.
- In caso di mancanza di elettricità o di malfunzionamento, lo scomparto congelatore conserverà una temperatura sufficientemente bassa per la conservazione degli alimenti. Evitare, però, di aprire lo sportello del congelatore per far sì che la temperatura dello scomparto non aumenti.
- Il quantitativo massimo di alimenti freschi che possono essere caricati nel congelatore entro 24 ore è indicato sulla targhetta con il nome (vedere Capienza del congelatore)
- Non riporre mai del cibo caldo nello scomparto congelatore.
- **Quando si acquistano e si conservano prodotti alimentari congelati,** assicurarsi che la confezione non sia danneggiata.
- La durata di conservazione e la temperatura consigliata per i cibi congelati sono indicate sulla confezione. Per la conservazione e l'utilizzo, seguire le istruzioni del produttore. Se non vi sono informazioni disponibili, il cibo non dovrebbe essere conservato per più di tre mesi.
- Riporre il cibo congelato nello scomparto congelatore, immediatamente dopo averlo acquistato.
- Una volta scongelati, gli alimenti non possono essere ricongelati; bisogna cucinarli quanto prima per consumarli subito o ricongelarli.
- **Quando si fanno i cubetti di ghiaccio,** riempire il cassetto del ghiaccio con acqua e metterlo nello scomparto congelatore. Dopo che l'acqua si è trasformata completamente in ghiaccio, è possibile far girare il cassetto, come mostrato di seguito, per ottenere i cubetti.

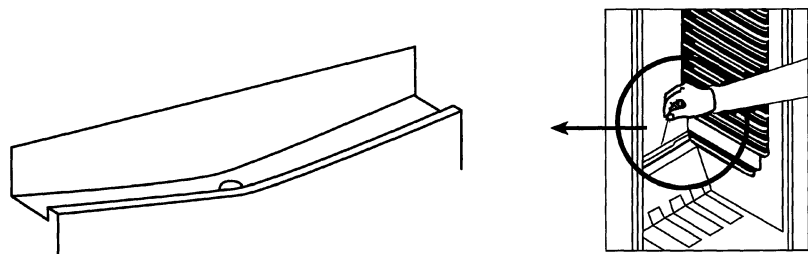


PARTE :4 PULIZIA E MANUTENZIONE

- **Staccare l'elettrodomestico dall'alimentazione prima di effettuare la pulizia.**
- Non gettare acqua sull'elettrodomestico.
- Lo scomparto frigo deve essere pulito periodicamente, utilizzando una soluzione di bicarbonato di sodio diluito in acqua tiepida.
- Pulire gli accessori separatamente con acqua e sapone. Non metterli nella lavastoviglie.
- Non usare prodotti abrasivi, detergenti o saponi. Dopo il lavaggio, risciacquare con acqua pulita ed asciugare accuratamente. Una volta terminate le operazioni di pulizia, reinserire la spina del frigo con le mani asciutte.



Sbrinamento dello Scomparto frigo:



- Lo sbrinamento avviene automaticamente nello scomparto frigo durante il funzionamento; l'acqua di sbrinamento viene raccolta dal vassoio di evaporazione ed evapora automaticamente.
- Il vassoio di evaporazione ed il foro di scarico per l'acqua sbrinata devono essere puliti periodicamente con lo scovolo in dotazione per evitare che l'acqua si raccolga sul fondo del frigo anziché fuoriuscire.
- Per pulirlo all'interno, è anche possibile versare mezzo bicchiere d'acqua attraverso il foro di scarico.

Sbrinamento dello Scomparto congelatore (se disponibile):

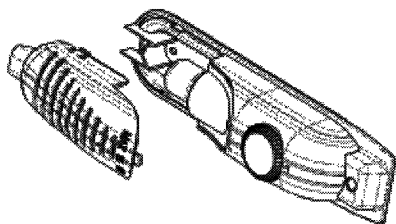
ATTENZIONE: non usare mai strumenti appuntiti in metallo, a meno che non raccomandati dal produttore, per questa operazione altrimenti il circuito di refrigerazione potrebbe danneggiarsi.

Dopo un certo periodo di tempo, in alcune parti dello scomparto congelatore di formerà la brina. La brina che si accumula nello scomparto congelatore deve essere rimossa periodicamente (usare il raschietto di plastica, se disponibile).

Per conservare l'efficienza del congelatore, sarà necessario uno sbrinamento completo se lo strato di brina supera i 3-5 mm.

- Il giorno precedente lo sbrinamento, impostare il termostato alla posizione "5" per congelare completamente i cibi.
- Durante lo sbrinamento, i cibi congelati devono essere avvolti in numerosi strati di carta e conservati in un luogo freddo. L'inevitabile risalita di temperatura abbrevierà la durata della loro conservazione. Ricordare di consumare questi cibi entro un periodo di tempo relativamente breve.
- Impostare la manopola del termostato sulla posizione "0" e spegnere l'elettrodomestico.
- Lasciare lo sportello aperto per accelerare lo sbrinamento. Rimuovere l'acqua di sbrinamento dallo scomparto.
- Pulire a mano la parte interna con acqua tiepida e poco detergente. **Non usare mai prodotti abrasivi o agenti detergenti aggressivi.**
- Asciugare l'interno dell'elettrodomestico, inserire l'alimentazione ed impostare il termostato alla posizione "5". Dopo 24 ore, reimpostare il termostato alla posizione desiderata.

Sostituzione della lampadina



Quando si vuole sostituire la lampadina dello scomparto frigo;

- 1- Staccare la spina dall'alimentazione,
- 2- Premere i ganci sui lati del coprilampadina e rimuoverlo
- 3- Cambiare la lampadina con una nuova non superiore ai 15 W.
- 4- Rimettere a posto il coprilampadina ed attendere 5 minuti prima di inserire nuovamente la spina dell'elettrodomestico

PARTE :5 PRIMA DI CHIAMARE IL SERVIZIO ASSISTENZA

Se il frigorifero non funziona bene, potrebbe essere un problema semplice da risolvere, perciò controllare la procedura che segue.

L'elettrodomestico non funziona,

Controllare se;

- C'è una mancanza di energia elettrica,
- La spina di alimentazione non è correttamente inserita o è allentata
- L'impostazione del termostato è sulla posizione "0",
- La presa è difettosa. Per controllarla, inserire la spina di un altro elettrodomestico, che si sa con certezza essere funzionante, nella stessa presa.

L'elettrodomestico funziona male;

Controllare se;

- L'apparecchio non è sovraccarico,
- Gli sportelli non sono perfettamente chiusi,
- Non ci sono sufficienti condotti di ventilazione sulla cucina componibile come menzionato nel Manuale per l'installazione.

Se si avverte del rumore;

Il gas refrigerante in circolo nel frigorifero può produrre un leggero rumore (gorgoglii) anche se il compressore non è in funzione. Non è il caso di preoccuparsi poiché questo è abbastanza comune. Se questi suoni sembrano diversi, controllare se;

- L'elettrodomestico è installato in modo fermo come descritto nel Manuale per l'installazione.
- Gli oggetti sull'elettrodomestico vibrano.

In presenza di acqua nella parte inferiore del frigorifero;

Controllare se;

Il foro di scarico dell'acqua di sbrinamento non è occluso (utilizzare lo scovolo per pulire il foro di scarico).

Avvertenze

- **Per aumentare lo spazio** e migliorare l'estetica, la "sezione refrigerante" dei frigoriferi è posizionata all'interno della parete posteriore dello scomparto frigo. Quando il compressore è in funzione, la parete si copre di brina o gocce d'acqua. Non è il caso di preoccuparsi. Si tratta di un fatto comune. L'apparecchio deve essere sbrinato solo se lo strato di brina che si forma sulla parete risultasse eccessivamente spesso.
- **Se l'elettrodomestico non viene usato per un lungo periodo di tempo** (per esempio durante le vacanze estive), impostare la manopola del termostato sulla posizione "0". Sbrinare e pulire il frigorifero lasciando lo sportello aperto per evitare la formazione di muffa e cattivo odore.

PARTE :6 COMPONENTI DELL' ELETTRODOMESTICO E SCOMPARTI

- | | |
|--|------------------------------------|
| 1) RIPIANO DEL FRIGO | 7) RIPIANO PER LE UOVA |
| 2) COPERCHIO PER SCOMPARTO FRUTTA E VERDURA (VETRO DI SICUREZZA) | 8) RIPIANO PER LE BOTTIGLIE |
| 3) SCOMPARTO FRUTTA E VERDURA | 9) RIPIANO CENTRALE |
| 4) PIEDI DESTRO E SINISTRO | 10) RIPIANO PER IL BURRO |
| 5) SCATOLA DEL TERMOSTATO | 11) COPERTURA RIPIANO PER IL BURRO |
| 6) SCOMPARTO CONGELATORE (*) | 12) RASCHIETTO IN PLASTICA (*) |

(*) SOLO IN ALCUNI MODELLI.

CONTENIDOS

PARTE 1: ANTES DE USAR EL ELECTRODOMESTICO	58
• Instrucciones de seguridad	58
• Recomendaciones	58
• Conexión del aparato	59
PARTE 2: COMO OPERAR CON EL FRIGORIFICO	60
• Ajuste del termostato	60
• Indicador	60
PARTE 3: COLOCACION DE LOS ALIMENTOS EN EL FRIGORIFICO	61
• Compartimiento del refrigerador	61
• Compartimiento del congelador	61
PARTE 4: LIMPIEZA Y MANTENIMIENTO	62
• Descongelación	62
• Cambio de la lámpara interior	62
PARTE 5: ANTES DE LLAMAR A SU SERVICIO TECNICO AUTORIZADO	63
PARTE 6: LAS PARTES DEL FRIGORIFICO Y SUS COMPARTIMENTOS	64

-Estas instrucciones corresponden a muchos modelos. Podría existir alguna diferencia

PARTE 1: ANTES DE USAR EL ELECTRODOMÉSTICO

Instrucciones de seguridad

- **Por favor, lea todo el contenido de este manual de instrucciones antes de instalar y conectar el frigorífico. El fabricante no se hace responsable en ningún caso por una instalación incorrecta o un uso inapropiado.**
- **ATENCIÓN: Mantenga las zonas de ventilación abiertas, en la zona o mueble de encastre, libres de obstrucciones.**
- Si el combi se va a utilizar para reemplazar un equipo viejo, equipado con un cierre, rómpalo o retírelo como medida de precaución para evitar el peligro de que los niños puedan encerrarse dentro del aparato accidentalmente.
- Si el modelo contiene refrigerante isobutano (R600a), un gas natural con un elevado grado de compatibilidad medioambiental, es requerido tomar precauciones puesto que el gas isobutano es inflamable. Es muy importante asegurarse de que los tubos del gas refrigerante no resultan dañados durante el transporte y la instalación del electrodoméstico. En el caso de que el circuito refrigerante resultara dañado, evite la proximidad de llamas o fuentes de ignición, y ventile la habitación en la que la unidad está instalada.
- No dañe el circuito del refrigerante
- No permita a los niños que jueguen con el combi. Los niños no deben sentarse nunca en los cajones o colgarse de la puerta.
- No use adaptadores o cables, que pudieran causar sobre calentamiento o arder
- No utilice nunca enchufes viejos o cables que puedan estar dañados
- No doble y no retuerza los cables, y manténgalos alejados de superficies calientes.
- No conecte el enchufe a la toma de corriente con las manos húmedas o mojadas.
- Su frigorífico viejo contiene gases aislantes y refrigerantes, que deben ser retirados de manera adecuada. Por favor, asegúrese de que el circuito del refrigerante no está dañado antes de que el electrodoméstico sea retirado de circulación.
- Una vez que el frigorífico esté instalado, debe asegurarse de que el cable de conexión a la red no está atrapado debajo del aparato

RECOMENDACIONES

- No descongele el electrodoméstico con otros aparatos eléctricos tales como por ejemplo secadores de pelo u otros medios artificiales, y no utilice objetos metálicos lisos para retirar el hielo del compartimiento del congelador, ya que esto podría llegar a causar daños irreparables dentro del sistema del refrigerante.
- No utilice u opere con ningún aparato eléctrico, dentro del frigorífico o dentro del congelador.
- No coloque botellas (de cristal o estaño), que contengan líquidos (especialmente líquidos con gas), dentro del compartimiento del congelador, ya que estos podrían hacer estallar la botella durante el proceso de congelación.
- No toque las superficies de frío cuando el aparato esté funcionando, especialmente con las manos húmedas o mojadas, ya que la piel podría quedar pegada a dichas superficies frías.
- No coma el hielo recién quitado de las paredes del congelador.

Conexión de la máquina

- Antes de conectar el aparato, colóquelo en posición vertical y espere durante por lo menos tres horas sin moverlo. Esto dará tiempo a que el circuito refrigerante se estabilice y que el frigorífico opere eficientemente.
- Limpie toda la superficie del frigorífico y especialmente el interior del mismo, antes de comenzar a usarlo (vea el apartado dedicado a la limpieza y mantenimiento).
- La instalación de este electrodoméstico y las conexiones eléctricas del mismo, deben ser realizadas por un técnico cualificado, de acuerdo siempre con el Manual de Instalación y las regulaciones locales.
- El proceso de instalación en el mueble de la cocina, se especifica en el Manual de Instalación. Este producto está diseñado y pensado para su uso en muebles de cocina apropiados.
- El aparato debe ser conectado a un enchufe adecuadamente instalado. La toma de corriente (AC) y el voltaje de funcionamiento, deben de ser coincidentes con los detalles que aparecen en la placa de características del aparato (esta placa está localizada en la parte interior izquierda del aparato)
- Conecte el aparato a un enchufe con una toma de tierra eficiente. Si el enchufe no tiene toma de tierra, o no encaja, le sugerimos que contacte con un electricista autorizado para que le asista.
- Si el cable eléctrico está dañado, este debe ser reemplazado por un Servicio Técnico Autorizado, o similar personal cualificado, para de esta manera evitar posibles daños.
- **El fabricante no se hace responsable de cualquier tipo de fallo en lo que respecta a la toma de tierra, tal y como se especifica en este manual.**
- Podría darse el caso de que el frigorífico despidiera olor después de ser conectado por primera vez a la toma eléctrica. Este olor desaparecerá una vez que el aparato comience a enfriar.

PARTE 2: COMO UTILIZAR EL ELECTRODOMÉSTICO

AJUSTE DEL TERMOSTATO

- El termostato regula automáticamente la temperatura interior del compartimento del frigorífico. Girando el mando del selector desde la posición 1 a la 5, puede obtener temperaturas más frías
- La posición “0” muestra que el termostato está cerrado y no se puede obtener frío
- Para almacenamiento a corto plazo de alimentos en el compartimento del congelador, puede colocar el mando del selector del termostato entre la posición mínima y la posición media (1 a 3)
- Par almacenamiento a largo plazo de alimentos en el compartimento del congelador, puede desplazar el mando del selector del termostato a una posición intermedia (entre las posiciones 3 y 4)
- **Atención: la temperatura ambiente, la temperatura de los alimentos frescos recién colocados y la periodicidad con la que la puerta del aparato es abierta, pueden afectar a la temperatura del compartimento del frigorífico y el compartimento del congelador. Si fuera esto preciso, cambie el ajuste del termostato.**
- *Cuando conecte por primera vez este electrodoméstico, debería intentar conectarlo sin ningún tipo de alimento en el interior durante al menos 24 horas, tiempo durante el cual tampoco debería abrir la puerta. Si a pesar de esto usted necesitara almacenar algún alimento durante este proceso, procure que sea la mínima cantidad posible*
- *Si este electrodoméstico estuviera apagado o desenchufado, debería por lo menos esperar durante 5 minutos antes de volver a conectarlo, para evitar así posibles daños en el compresor*
- **FRIGORIFICOS (de 4 estrellas):** el congelador del aparato enfria hasta alcanzar los -18°C e incluso menos
- **REFRIGERADORES (sin estrellas):** los refrigeradores (coolers) no tienen ningún compartimento congelador, por lo que sólo pueden enfriar hasta una temperatura de 4-6°C

Indicador de “Puerta Abierta” (para frigoríficos con congelador de una puerta)

- El indicador de “Puerta Abierta” situado en el cierre de la tapa, indica cuándo la puerta ha sido cerrada adecuadamente y cuándo no lo ha sido
- Si el indicador rojo permanece visible, esto significa que la puerta está todavía abierta
- Si el indicador rojo no aparece visible, esto significa que la puerta ha sido cerrada correctamente
- Observe que la puerta del congelador debe permanecer siempre cerrada adecuadamente. Esto evitará que los alimentos emplazados en su interior puedan descongelarse. Esto también evitará que se produzca escarcha y se forme hielo dentro del frigorífico y finalmente, evitará un consumo innecesario de electricidad.

PARTE 3: COLOCACION DE ALIMENTOS EN EL ELECTRODOMÉSTICO

Compartimiento del frigorífico

- El compartimiento del frigorífico se debe usar para almacenar alimentos frescos durante unos pocos días
- No coloque alimentos en contacto directo con la pared trasera interior del compartimiento del frigorífico. Antes al contrario, deje algún espacio alrededor de los alimentos para permitir una circulación fluida del aire
- No coloque alimentos calientes o líquidos en proceso de evaporación dentro del frigorífico
- Coloque siempre los alimentos en el frigorífico dentro de contenedores cerrados o envuelta
- Para reducir la humedad y evitar la aparición de escarcha, nunca coloque líquidos en recipientes no cerrados dentro del frigorífico.
- La carne de cualquier tipo, bien envuelta en paquetes, se recomienda que sea colocada en la bandeja de cristal situada justo por encima del cajón destinado para las verduras. En este lugar el aire es más frío
- Las verduras y las frutas pueden ser colocadas en los cajones destinados a tal efecto sin envolver o empaquetar
- Para evitar que el aire frío se escape, evite abrir demasiado frecuentemente la puerta del frigorífico, y nunca mantenga la puerta abierta durante demasiado tiempo

Compartimiento del congelador

- El compartimiento del congelador se debe usar para congelar los alimentos frescos y almacenar alimentos congelados durante el periodo de tiempo que esté indicado en el paquete del alimento, así como para fabricar cubos de hielo
- **Para congelar alimentos frescos;** empaquete y cierre apropiadamente estos alimentos, sin bolsas de aire. Hay bolsas especiales para la congelación de alimentos frescos, o papel de aluminio (en caso de duda envuelva doblemente), y contenedores de plástico que resultan ideales a tal efecto.
- No permita que los alimentos frescos que van a ser congelados, se queden en contacto con otros alimentos ya congelados, ya que esto podría afectar a los segundos y no aportaría ninguna ventaja a los primeros
- Anote siempre la fecha de caducidad y el contenido en el envoltorio, y nunca exceda el tiempo de la fecha de caducidad del producto
- En caso de que haya un fallo de corriente tal como un apagón, o que el aparato no funcione correctamente, el compartimiento del congelador mantendrá una temperatura lo suficientemente baja para el almacenamiento de los alimentos que ya se encuentren en el interior. De cualquier manera, evite abrir la puerta del congelador para retardar lo máximo posible el incremento de temperatura dentro del compartimiento del congelador.
- La cantidad máxima de alimentos frescos que pueden ser almacenados en el congelador dentro de 24 horas, está indicada en la placa de características (vea el poder de congelación)
- Nunca coloque alimentos templados o calientes en el compartimiento del congelador
- **Cuando compre y almacene alimentos ya congelados,** asegúrese de que el empaquetado de dichos alimentos no está dañado
- El tiempo máximo de almacenamiento y la temperatura recomendada para el almacenamiento de las comidas congeladas, está indicado siempre en el empaquetado del mismo producto. Para almacenar y usar dicho alimento, por favor, siga las instrucciones del fabricante. Si no existiera información, en ningún caso debería permanecer el alimento por un periodo superior a tres meses, dentro del congelador sin usarse
- Una vez comprados, coloque los productos congelados dentro del compartimiento del congelador lo más rápidamente posible
- Una vez que el alimento es **descongelado**, este no debe ser recongelado bajo ningún concepto en las actuales circunstancias; al contrario, debe cocinarlo con la mayor brevedad posible para consumirlo, o bien para volverlo a congelar una vez cocinado
- **Para hacer cubos de hielo,** rellene la bandeja con agua y coloque la misma en el compartimiento del congelador. Una vez que el agua se transforma totalmente en hielo, usted puede retorcer la bandeja, tal y como se muestra en el dibujo que aparece más abajo, para sacar los cubos de hielo que precise

PARTE 4: LIMPIEZA Y MANTENIMIENTO

- **Desconecte siempre el electrodoméstico de la toma de corriente antes de proceder a su limpieza**
- No vierta agua directamente sobre el electrodoméstico
- El compartimiento del congelador debería ser limpiado periódicamente usando una solución de bicarbonato sódico y agua templada
- Limpie los accesorios separadamente con jabón y agua. No los coloque para su limpieza en el lavavajillas
- No utilice para la limpieza productos abrasivos, detergentes o jabones. Una vez limpiado, aclare con agua limpia y seque cuidadosamente. Cuando las operaciones de limpieza hayan sido completadas, reconecte el electrodoméstico a la toma de corriente, asegurándose de que tiene las manos completamente secas

Descongelación del compartimiento del frigorífico

- La descongelación ocurre de manera automática durante la operación; el agua descongelada se recoge por medio de la bandeja evaporadora y se evapora automáticamente
- La bandeja de evaporación el agujero del desagüe de descongelación, deben ser limpiados periódicamente, con el utensilio de plástico destinado a tal efecto, con el fin de evitar que este se obstruya evitando que el agua siga su curso.
- También puede verter medio vaso de agua por el agujero del desagüe para limpiar el mismo.

Descongelación del compartimiento del congelador (Si está disponible)

ATENCIÓN: Nunca utilice herramientas metálicas y lisas, a no ser que sea expresamente recomendado por el fabricante, ya que esto podría dañar irreversiblemente el circuito refrigerante del electrodoméstico

Después de un periodo de tiempo, puede aparecer escarcha en determinadas áreas del compartimiento del congelador de su combi. Esta escarcha acumulada, debe ser eliminada de forma periódica, para lo cual debe usar un utensilio plástico (provisto en determinados modelos)

Una descongelación completa será necesaria siempre que la capa de hielo supere los 3-5 mm, para de esta manera lograr mantener la eficiencia del congelador

- El día anterior de haber procedido a la descongelación, coloque el selector del termostato en la posición "5", para de esta manera congelar los alimentos completamente lo más rápidamente posible
- Durante el proceso de descongelación, los alimentos congelados deben ser envueltos en un gran número de tiras de papel, y ser colocados en un lugar frío. El inevitable aumento de la temperatura acortará el periodo de almacenaje del producto. Recuerde que debe usar esos alimentos en un periodo de tiempo relativamente corto
- Coloque el selector del termostato en la posición "0" y apague el electrodoméstico
- Deje la puerta abierta para acelerar el proceso de descongelación. Retire el agua descongelada del compartimiento
- Limpie el interior a mano con agua templada y un poco de detergente
- Nunca use productos abrasivos o agentes de limpieza agresivos
- Seque el interior de la unidad, conéctela a la toma de corriente, y vuelva a colocar el mando del selector del termostato en la posición "5". Después de 24 horas y vuelva a colocar el mando del selector del termostato en la posición que desee.

Cambio de lámpara

Cuando cambie la lámpara del compartimiento del frigorífico

1. Desenchufe el aparato de la toma de corriente
2. Presione los ganchos situados en los lados de la cubierta, y retire la misma
3. Cambie la lámpara antigua por una nueva que no tenga más de 15W
4. Vuelva a colocar la cubierta de la lámpara y, transcurridos unos 5 minutos, vuelva a enchufar el electrodoméstico

PARTE 5: ANTES DE LLAMAR A SU SERVICIO TECNICO AUTORIZADO

Si su frigorífico no está funcionando adecuadamente, esto podría ser causado por un problema menor. Por ello le recomendamos que, antes de llamar a su servicio técnico autorizado, verifique los siguientes puntos

El electrodoméstico no funciona. Verifique que:

- No hay un fallo general de electricidad
- El enchufe no está correctamente conectado a la toma de corriente
- El selector del termostato no está en la posición "0"
- La toma de corriente no está defectuosa. Para verificar esto, conecte otro electrodoméstico en la misma toma y compruebe si funciona correctamente

El rendimiento del electrodoméstico es pobre. Verifique que:

- No ha sobrecargado el combi
- La puerta está perfectamente cerrada
- Hay suficientes conductos de ventilación en el mueble donde está instalado el combi, tal y como se indica en el manual de instalación

Si el aparato hace ruido;

El gas refrigerante que circula por el circuito refrigerador, podría causar algo de ruido (sonido de burbujeo), incluso cuando el compresor no está funcionando. No se preocupe, ya que esto es normal. No obstante, si los sonidos fueran diferentes a los descritos, verifique que:

- El electrodoméstico está instalado firmemente, tal y como se describe en el manual de instalación
- Los objetos instalados dentro del frigorífico no están vibrando

Si aparece agua en la parte más baja del frigorífico. Verifique que

El desagüe para el agua descongelada, situado en la parte interior trasera del frigorífico, no está obstruido. Utilice el utensilio plástico para limpiar el desagüe y evitar su obstrucción

Recomendaciones

- **Para lograr aumentar espacio** y mejorar la apariencia, la "sección de frío" de este aparato está colocada en la parte trasera interior de la pared del compartimiento del frigorífico. Cuando el compresor está trabajando, esta pared puede resultar cubierta de algo de escarcha o de gotas de agua. No se preocupe. Esto es normal. El aparato debe ser descongelado únicamente si llegara a formarse una película de hielo en la pared trasera interior del compartimiento del frigorífico
- **Si no va a usar el combi durante un periodo de tiempo prolongado** (por ejemplo durante sus vacaciones de verano), coloque el selector del termostato en la posición "0". Descongele el electrodoméstico y límpielo, dejando la puerta abierta para prevenir la formación de moho y la aparición de malos olores.

PARTE 6: PARTES DEL FRIGORIFICO Y SUS COMPARTIMENTOS

- 1.- BANDEJA DEL FRIGORIFICO
- 2.- CUBIERTA DEL CAJON VERDULERO (BANDEJA DE SEGURIDAD)
- 3.- CAJON VERDULERO
- 4.- PATAS IZQUIERDA Y DERECHA
- 5.- CAJA DEL TERMOSTATO
- 6.- COMPARTIMENTO DEL CONGELADOR(*)
- 7.- BANDEJA PORTA HUEVOS
- 8.- BANDEJA PORTA BOTELLAS
- 9.- BANDEJA INTERMEDIA
- 10.- BANDEJA PORTA MANTEQUILLA
- 11.- CUBIERTA DE LA BANDEJA PORTA MANTEQUILLA
- 12.- "RASQUETA" DE PLASTICO (*)

(*) SOLO EN ALGUNOS MODELOS

INDICE

PARTE 1: ANTES DE USAR O ELECTRODOMÉSTICO	66
• Instruções de segurança	66
• Recomendações	66
• Ligação do aparelho	67
PARTE 2: COMO FUNCIONAR COM O FRIGORÍFICO	68
• Ajuste do termostato	68
• Pannel do Dispositivo	68
PARTE 3: DISTRIBUIÇÃO DOS ALIMENTOS NO FRIGORÍFICO	69
• Compartimento do refrigerador	69
• Compartimento do congelador	69
PARTE 4: LIMPEZA E MANUTENÇÃO	70
• Descongelação	70
• Mudança da lâmpada interior	70
PARTE 5: ANTES DE CONTACTAR O SEU SERVIÇO TÉCNICO AUTORIZADO	71
PARTE 6: AS PARTES DO FRIGORÍFICO E OS SEUS COMPARTIMENTOS	72

- Estas instruções correspondem a muitos modelos. Poderão existir algumas diferenças entre eles.

PARTE 1: ANTES DE USAR O ELECTRODOMÉSTICO

Instruções de segurança

- Antes de instalar e ligar o frigorífico, leia, por favor, toda a informação contida neste manual de instruções. O fabricante não se responsabilizará, em nenhuma circunstância, pela instalação incorrecta ou utilização inapropriada do aparelho.
- **ATENÇÃO: Mantenha sempre abertas todas as zonas de ventilação e de maneira a que não estejam obstruídas por nenhum objecto.**
- Se vai utilizar este frigorífico para substituir um antigo, que tenha um sistema para fechá-lo, destrua-o ou retire-o como medida de precaução, a fim de evitar que os seus filhos ou outras crianças fiquem fechadas lá dentro.
- Se o modelo contém isobutano (R600a), um gás natural com um grau elevado de compatibilidade meio-ambiental, aconselhamos a tomar as devidas precauções dado que este gás é inflamável. É muito importante que se assegure que os tubos do gás de refrigeração não sofreram qualquer tipo de estrago durante o transporte e instalação do electrodoméstico. No caso de que o circuito de refrigeração sofresse algum estrago, deverá evitar aproximar o aparelho das zonas com chamas ou fontes de ignição e ventilar a divisão da casa onde está instalada a unidade.
- Não danifique o circuito do refrigerante.
- Não permita que as crianças brinquem com o frigorífico. Nunca deixe que as crianças se sentem nas gavetas ou se pendurem nas portas do mesmo.
- Não utilize adaptadores ou cabos que possam provocar sobre-aquecimento ou inclusivamente que possam arder.
- Nunca utilize tomadas velhas ou cabos que possam estar danificados.
- Não dobre nem torça os cabos e mantenha-os afastados de superfícies quentes.
- Não ligue a tomada à corrente com as mãos húmidas ou molhadas.
- O seu frigorífico velho contém gases isolantes e refrigerantes, que deverão ser retirados cuidadosamente. Assegure-se, por favor, que o circuito do refrigerador não está estragado antes de retirar o electrodoméstico de circulação.
- Quando o frigorífico estiver instalado, certifique-se que o cabo de ligação à tomada não está debaixo do aparelho.

RECOMENDAÇÕES

- Não descongele o electrodoméstico com outros aparelhos eléctricos tipo secador de cabelo ou outros meios artificiais, e não utilize objectos metálicos lisos para retirar o gelo do compartimento do congelador pois poderia provocar estragos irreparáveis no sistema de refrigeração.
- Não utilize nenhum aparelho eléctrico dentro do frigorífico ou dentro do congelador.
- Não coloque garrafas de vidro ou de estanho, que contenham líquidos (especialmente líquidos com gás) dentro do compartimento do congelador já que estes poderiam fazer estalar as garrafas durante o processo de congelação.
- Não toque nas superfícies frias quando o aparelho estiver em funcionamento, especialmente com as mãos húmidas ou molhadas, pois corre o risco de que fiquem coladas às mesmas.
- Não coma o gelo recém-retirado das paredes do congelador.

Ligação do aparelho

- Antes de ligar o aparelho, coloque-o na posição vertical e espere pelo menos três horas antes de o mover. Isto dará tempo a que o circuito de refrigeração se estabilize e a que o frigorífico funcione eficazmente.
- Limpe toda a superfície do frigorífico e, especialmente, o interior do mesmo, antes de começar a usá-lo (veja, por favor, o apartado dedicado à limpeza e manutenção).
- A instalação deste electrodoméstico e as ligações eléctricas do mesmo, deverão ser efectuadas por um técnico qualificado, sempre de acordo com o Manual de Instalação e as leis locais.
- O processo de instalação no móvel da cozinha vem especificado no Manual de Instalação. Este produto foi desenhado e pensado para ser utilizado em móveis de cozinha apropriados.
- O aparelho deverá ser ligado a uma tomada devidamente instalada. A tomada (AC) e a voltagem de funcionamento deverão coincidir com as que vêm mencionadas na placa com as características do aparelho (esta placa está situada na parte interior esquerda do aparelho).
- Ligue o aparelho a uma tomada em bom estado. Se não possui uma tomada ou se a ficha do frigorífico não encaixa bem nas tomadas que tem em sua casa, contacte, por favor, um electricista autorizado para que a instale.
- Se o cabo eléctrico estiver danificado, deverá ser substituído por um Serviço Técnico Autorizado, ou por pessoal qualificado, de maneira a evitar estragos futuros.
- O fabricante não se responsabiliza por qualquer tipo de avaria provocada pelo incumprimento das instruções especificadas neste manual.
- Poderá dar-se o caso de que o seu frigorífico novo cheire mal depois de ser ligado à corrente. Não se preocupe pois este cheiro desaparecerá a partir do momento em que o mesmo comece a arrefecer.

PARTE 2: COMO UTILIZAR EL ELECTRODOMÉSTICO

AJUSTE DO TERMOSTATO

- O termostato regula automaticamente a temperatura interior do compartimento del frigorífico. Girando a roda de selecção desde a posição 1 até à posição 5, poderá obter temperaturas mais frias.
- A posição 0 corresponde à situação em que o termostato está apagado e, por conseguinte, o frigorífico não fica frio.
- Para o armazenamento a curto prazo dos alimentos no congelador, pode colocar a roda de selecção da temperatura entre a posição mínima e média (1 a 3)
- Para o armazenamento a longo prazo dos alimentos no compartimento do congelador, pode mudar a roda de selecção da temperatura para uma posição intermédia (entre as posições 3 e 4)
- **Atenção: a temperatura ambiente, a temperatura dos alimentos frescos recém colocados e a frequência com que abre a porta do aparelho, podem afectar a temperatura do compartimento do frigorífico e do compartimento do congelador. Se for necessário, mude o ajuste do termostato.**
- *Quando liga este electrodoméstico pela primeira, deverá tentar ligá-lo sem nenhum tipo de alimento no seu interior durante pelo menos 24 horas. Durante este período de tempo nao aconselhamos igualmente que abra a porta do mesmo. De qualquer dos modos, se fosse realmente necessário armazenar algum alimento durante este processo, tente que nao sejam muitos.*
- *Se este electrodoméstico se apaga ou se desliga, deverá esperar pelo menos 5 minutos até voltar a ligá-lo a fim de evitar que o compressor se estrague.*
- **FRIGORÍFICOS (de 4 estrelas):** o congelador do aparelho arrefece até alcançar os 18°C negativos e inclusivamente menos
- **REFRIGERADORES (sem estrelas):** os refrigeradores nao têm nenhum congelador pelo que só podem arrefecer até uma temperatura de 4 a 6°C

Indicador de “Porta Aberta” (para frigoríficos com congelador de uma porta)

- O indicador de “Porta Aberta”, situado no fecho da tampa, indica quando é que a porta foi fechada correctamente ou não;
- Se o indicador vermelho continua a aparecer, isto significa que a porta ainda continua aberta;
- Se nao aparece o indicador vermelho, isto significa que porta foi fechada correctamente;
- Verifique sempre se a porta do congelador foi fechada correctamente a fim de evitar que os alimentos que contenha dentro se descongelem e que gaste electricidade desnecessariamente.

PARTE 3: DISTRIBUIÇÃO DOS ALIMENTOS NO ELECTRODOMÉSTICO

Compartmento do frigorífico

- O compartimento do frigorífico só deverá ser utilizado para armazenar por poucos dias todos os alimentos frescos.
- Não ponha os alimentos junto à parte traseira do compartimento do frigorífico, isto é, os alimentos não deverão tocar na parte de trás do mesmo. Deixe espaço entre os alimentos de modo a permitir a circulação de ar entre os mesmos e dentro do frigorífico.
- Não coloque alimentos quentes ou líquidos em estado de evaporação dentro do frigorífico.
- Coloque sempre os alimentos no frigorífico dentro de recipientes apropriados ou embrulhados em papel próprio.
- Para reduzir a humidade e evitar a formação de gelo, nunca coloque os líquidos em recipientes abertos dentro do frigorífico.
- A carne deverá ser metida em sacos e recomendamos que seja colocada na prateleira de vidro que está em cima da gaveta dos legumes, pois é onde o ar é mais frio.
- Os legumes e as frutas poderão ser colocados directamente nas gavetas destinadas para o efeito, isto é, não têm que estar dentro de sacos ou embrulhadas em plástico.
- Para evitar a fuga de ar frio, evite abrir muitas vezes a porta do frigorífico ou deixá-la aberta durante muito tempo.

Compartmento do congelador

- O compartimento do congelador deverá ser utilizado para congelar os alimentos frescos e para armazenar alimentos congelados durante o período de tempo que estiver indicado na embalagem do alimento, bem como para fabricar cubos de gelo.
 - **Para congelar alimentos frescos;** envolva e feche apropriadamente estes alimentos, retirando o ar que fique dentro dos sacos. Existem sacos especiais ou papel de alumínio próprio para congelar os alimentos frescos.
 - Não misture alimentos que vão ser congelados com os que já estão congelados pois isto poderia afectar os segundos e não traria vantagens para os primeiros.
 - Aponte sempre a data de validade e o conteúdo dentro dos sacos e nunca utilize os alimentos depois de ter passado a data de validade.
 - No caso de haver uma falha de corrente eléctrica, como por exemplo quando ficamos sem luz, ou que o aparelho não funcione correctamente, o compartimento do congelador manterá a temperatura necessária para o armazenamento dos alimentos que se encontrem no seu interior. De qualquer das maneiras, evite abrir a porta do congelador a fim de conseguir que a temperatura desça o mais rapidamente possível.
 - A quantidade de alimentos frescos que podem ser armazenados no congelador dentro de 24 horas vem indicada na placa das características do congelador (veja qual é a potência de congelação)
 - Nunca ponha alimentos mornos ou quentes no congelador
 - **Quando compre e armazene alimentos que já estão congelados,** certifique-se que o pacote onde vêm os mesmos não se encontra danificado
 - O tempo máximo de armazenamento e a temperatura recomendada para o armazenamento dos alimentos congelados vêm sempre indicados nas embalagens do produto. Para armazenar e utilizar o alimento referido, siga, por favor, as instruções do fabricante. Se não possuir essa informação, deverá consumir os alimentos até 3 meses depois de os ter colocado no congelador.
 - Depois de ter comprado os produtos, deverá colocá-los no compartimento do congelador o mais rapidamente possível.
 - Uma vez descongelado o alimento, não volte a congelá-lo. Pelo contrário, deverá cozinhá-lo o quanto antes ou congelá-lo depois de cozinhado.
- Para fazer cubos de gelo,** encha a couvete com água e coloque a mesma no compartimento do congelador. Depois da água estar congelada, poderá torcer a couvete tal como indicado no desenho que aparece mais abaixo, de modo a poder retirar os cubos de gelo que necessite.

PARTE 4: LIMPEZA E MANUTENÇÃO

Antes de limpar o frigorífico, desligue-o sempre da tomada

- Não deite água directamente sobre o electrodoméstico
- compartimento do frigorífico deverá ser limpo periodicamente utilizando para o efeito uma solução de bicarbonato de sódio e água morna
- Limpe os acessórios separadamente com sabão e água. Não os coloque na máquina de lavar a loiça.
- Não utilize produtos abrasivos, detergentes ou sabões durante a limpeza do frigorífico. Depois de o ter limpo, passe-lhe água limpa e seque cuidadosamente. Quando terminar a operação de limpeza, verifique se tem as mãos completamente secas e volte a ligar o electrodoméstico à corrente.

Descongelação do compartimento do frigorífico

- A descongelação é efectuada automaticamente durante a operação; a água descongelada fica depositada no tabuleiro de evaporação e evapora-se automaticamente
- O tabuleiro de evaporação e o tubo por onde se escoar a água da descongelação deverão ser limpos periodicamente, utilizando para o efeito o utensílio de plástico que vem na embalagem, a fim de evitar a sua obstrução ou que a água não siga o seu curso normal.
- Também pode verter meio copo de água pelo tubo por onde escoar a água a fim de limpar o mesmo.

Descongelação do compartimento do congelador

ATENÇÃO: Nunca utilize ferramentas metálicas e lisas, a não ser que seja expressamente recomendado pelo fabricante, uma vez que poderia danificar irreversivelmente o circuito de refrigeração do electrodoméstico

Depois de um período de tempo, poderão formar-se camadas de gelo em determinadas áreas do compartimento do congelador do seu combi. Estas camadas de gelo deverão ser eliminadas, de vez em quando, com um utensílio de plástico, que é fornecido normalmente com alguns dos modelos de frigoríficos.

De modo a conseguir manter a eficácia do congelador, será necessário efectuar uma descongelação completa sempre que a capa de gelo supere os 3-5 mm.

- No dia antes de efectuar a descongelação, coloque o botão de selecção do termostato na posição 5 de modo a congelar os alimentos o mais rapidamente possível.
- Durante o processo de descongelação, os alimentos congelados deverão ser embrulhados em grandes tiras de papel e devem ser colocados num local frio. Recorde que deve usar esses alimentos o mais brevemente possível para que não se estraguem.
- Coloque o botão de selecção do termostato na posição 0 e desligue o electrodoméstico.
- Deixe a porta aberta para acelerar o processo de descongelação. Retire a água descongelada do compartimento.
- Limpe o interior à mão com água morna e um pouco de detergente
- Nunca utilize produtos inflamáveis ou agentes de limpeza agressivos
- Seque o interior da unidade, ligue-a à corrente e volte a colocar a roda de selecção da temperatura na posição 5. Passadas 24 horas, coloque a mesma roda na posição que desejar.

Mudança da lâmpada

Quando mudar a lâmpada do compartimento do frigorífico:

1. Desligue o aparelho da tomada;
2. Pressione os ganchos situados nas partes laterais da tampa e retire a mesma;
3. Mude a lâmpada antiga por uma nova que tenha mais de 15W;
4. Volte a colocar a tampa da lâmpada e passados 5 minutos ligue o electrodoméstico

PARTE 5: ANTES DE CONTACTAR O SEU SERVIÇO TÉCNICO AUTORIZADO

Se o seu frigorífico não estiver a funcionar adequadamente, poderá dever-se a algum motivo sem muita importância. Assim, antes de telefonar ao seu serviço técnico autorizado, verifique os seguintes pontos:

O electrodoméstico não funciona. Verifique se:

- Não há uma falta de corrente eléctrica geral
- A ficha está correctamente metida na tomada
- O botão de selecção da temperatura não está na posição 0
- A tomada não está estragada. Para verificar este ponto, ligue qualquer outro aparelho doméstico à mesma e veja se funciona correctamente

O rendimento do electrodoméstico é inferior ao normal. Verifique se:

- O combi não tem comida a mais
- A porta está bem fechada
- Existem condutas de ventilação suficientes no móvel ou espaço onde está instalado o combi, tal como se indica no manual de instalação

Se o aparelho fizer barulho;

O gás que circula pelo circuito de refrigeração pode fazer barulho (tipo som de borbulhas), inclusivamente quando o compressor não está a funcionar. Não se preocupe pois isto é perfeitamente normal. No entanto, se o som emitido for diferente do acima descrito, verifique se:

- O electrodoméstico está bem instalado e bem apoiado, tal como se descreve no manual de instalação
- Os objectos que se encontram dentro do frigorífico não estão a vibrar

Se aparece água na parte mais baixa do frigorífico. Verifique se:

O tubo de escoamento da água descongelada, situada na parte interior traseira do frigorífico, não está obstruído.

Recomendações:

- **Para conseguir aumentar o espaço** e melhorar o aspecto do frigorífico, a secção fria do mesmo encontra-se instalada na parte interior traseira da parede do compartimento do frigorífico. Quando o compressor está a trabalhar, esta parede pode apresentar um bocadinho de gelo ou gotas de água. Não se preocupe pois é perfeitamente normal. O aparelho deverá ser descongelado unicamente se houver camadas de gelo na parede interior traseira do compartimento do frigorífico
- **Se não vai utilizar o combi durante algum tempo (por exemplo quando vai de férias no verão)**, coloque o botão de selecção da temperatura na posição 0. Descongele o electrodoméstico e limpe-o, deixando a porta aberta a fim de evitar a formação de bolor ou os maus cheiros.

PARTE 6: AS PARTES DO FRIGORÍFICO E SEUS COMPARTIMENTOS

- 1.- PRATELEIRA DO FRIGORIFICO
- 2.- TAMPA DA GAVETA DAOS LEGUMES (PRATELEIRA DE SEGURANÇA)
- 3.- GAVETA DOS LEGUMES
- 4.- PÉ ESQUERDO E PÉ DIREITO
- 5.- CAIXA DO TERMOSTATO
- 6.- COMPARTIMENTO DO CONGELADOR(*)
- 7.- PRATELEIRA PORTA-OVOS
- 8.- PRATELEIRA PORTA-GARRAFAS
- 9.- PRATELEIRA INTERMÉDIA
- 10.- PRATELEIRA MANTEIGUEIRA
- 11.- TAMPA DA PRATELEIRA DA MANTEIGUEIRA
- 12.- RASPADOR DE PLÁSTICO (*)

(*) SÓ PARA ALGUNS MODELOS

SPIS TREŚCI

CZĘŚĆ 1: PRZED PIERWSZYM UŻYCIEM URZĄDZENIA	74
• Instrukcje dotyczące bezpieczeństwa	74
• Zalecenia	74
• Włączenie urządzenia	75
CZĘŚĆ 2: OBSŁUGA URZĄDZENIA	76
• Ustawienie termostatu	76
• Wskaźnik	77
CZĘŚĆ 3: PRZECHOWYWANIE ŻYWNOSCI W URZĄDZENIU	78
• Komora chłodziarki	78
• Komora zamrażarki	78
CZĘŚĆ 4: CZYSZCZENIE I KONSERWACJA	79
• Rozmrażanie	79
• Wymiana żarówki	80
CZĘŚĆ 5: ZANIM WEZWIESZ SERWIS	81
CZĘŚĆ 6: ELEMENTY SKŁADOWE URZĄDZENIA I JEGO KOMORY	82

- Instrukcja obsługi dotyczy różnych modeli. Zatem mogą się one między sobą różnić.

Część 1. PRZED PIERWSZYM UŻYCIEM URZĄDZENIA

Instrukcje dotyczące bezpieczeństwa

- Przed instalacją i włączeniem urządzenia zapoznaj się dokładnie z niniejszą instrukcją. Producent nie ponosi żadnej odpowiedzialności za nieprawidłową instalację i eksploatację urządzenia.
- **OSTRZEŻENIE:** Otwory wentylacyjne w obudowie urządzenia lub w szafce zabudowy nie mogą być zatkane.
- Jeśli niniejsze urządzenie zastępuje urządzenie stare, wyposażone w zamek, usuń lub zerwij zamek, stwarzając tym zabezpieczenie przed zamknięciem się drzwi wewnątrz urządzenia.
- Jeśli model zawiera czynnik chłodzący w postaci izobutenu (R600a), gazu charakteryzującego się wysokim poziomem nieszkodliwości dla środowiska naturalnego, zalecana jest szczególna uwaga z powodu łatwopalności tego czynnika. Wymaga się przede wszystkim, aby podczas transportu i instalacji urządzenia nie uszkodzić przewodów, przez które przepływa czynnik chłodzący. W przypadku uszkodzenia obwodu chłodzącego należy unikać otwartego ognia i źródeł zapłonu oraz przewietrzyć pomieszczenie, w którym umieszczone jest urządzenie.
- Nie wolno uszkodzić obwodu chłodzącego.
- Nie wolno pozwalać dzieciom bawić się urządzeniem. Nie wolno dopuszczać do tego, aby dzieci siadały na szufladach lub huśtały się na drzwiczkach urządzenia.
- Nie wolno stosować adapterów ani zworek, które mogłyby stać się powodem przegrzania lub przepalenia.
- Nie wolno używać starych, uszkodzonych przewodów zasilających.
- Nie wolno skręcać ani zaginać przewodów, należy je prowadzić z dala od rozgrzanych powierzchni.
- Nie wolno wkładać wtyczki do gniazdka ściennego wilgotnymi dłońmi.
- Stare urządzenia tego typu zawierają gazy izolujące i czynnik chłodzący, które muszą być usuwane prawidłowo. Zanim usuniesz stare urządzenie, sprawdź, proszę, czy nie jest w nim uszkodzony układ chłodzący.
- Po zakończeniu instalacji urządzenia upewnij się, że nie przygniata ono przewodu zasilającego.

Zalecenia

- Nie rozmrażaj urządzenia za pomocą innych urządzeń elektrycznych (np. suszarki do włosów) lub innych sztucznych środków ani nie stosuj ostrych metalowych przedmiotów do usuwania lodu z zamrażarki, gdyż mogą one spowodować uszkodzenie systemu chłodzącego.
- Nie uruchamiaj żadnych urządzeń elektrycznych wewnątrz chłodziarki lub zamrażarki.

- Nie wkładaj do zamrażarki szklanych butelek ani puszek zawierających płyny (szczególnie płyny gazowane), gdyż podczas zamrażania może nastąpić rozerwanie takiego pojemnika z płynem.
- Nie dotykaj powierzchni chłodzących podczas pracy urządzenia, szczególnie wilgotnymi dłońmi, ponieważ skóra może przywrzeć do zmrożonej powierzchni.
- Nie jedz lodu wyjętego przed chwilą z zamrażarki.

Włączanie urządzenia

- Przed włączeniem urządzenia ustaw je w pozycji pionowej i odczekaj co najmniej 3 godziny. W tym czasie ustabilizuje się układ chłodzący, co pozwoli na jego skuteczne działanie.
- Przed użyciem urządzenia oczyść je dokładnie, szczególnie wewnątrz (patrz: Czyszczenie i konserwacja).
- Instalację urządzenia oraz podłączenie elektryczne powinien przeprowadzić wykwalifikowany technik, zgodnie z instrukcją instalacji i obowiązującymi lokalnie przepisami.
- Procedura instalacyjna w szafce kuchennej opisana jest w instrukcji instalacji. Niniejszy produkt przeznaczony jest do instalowania w odpowiednich szafkach do zabudowy.
- Urządzenie musi być podłączone do prawidłowo uziemionego gniazdka ściennego. Na tabliczce znamionowej muszą figurować informacje o zasilaniu prądem zmiennym (AC) i wartości napięcia w punkcie pracy (tabliczka znamionowa znajduje się wewnątrz urządzenia, po jego lewej stronie).
- Wetknij wtyczkę przewodu zasilającego do prawidłowo uziemionego gniazdka ściennego. Jeśli gniazdko nie jest wyposażone w styk uziemienia lub wtyczka nie pasuje do gniazdka, zalecamy wezwanie uprawnionego elektryka, który pomoże rozwiązać ten problem.
- **Producent nie ponosi żadnej odpowiedzialności w przypadku, gdy urządzenie nie posiada uziemienia zgodnego z wymaganiami zamieszczonymi w instrukcji.**
- Po pierwszym włączeniu urządzenia może wydobywać się z niego nieprzyjemny zapach. Zniknie on po rozpoczęciu przez urządzenie chłodzenia.

CZĘŚĆ 2. OBSŁUGA URZĄDZENIA

Ustawienie termostatu

- Termostat automatycznie reguluje temperaturę wewnątrz komór chłodziarki i zamrażarki. Obracając pokrętkę z położenia 1 do 5, ustalamy coraz niższe temperatury chłodzenia.
- Pozycja "0" wskazuje, że termostat jest wyłączony i chłodzenie nie pracuje.
- W celu krótkotrwałego przechowywania żywności w komorze zamrażarki należy ustawić pokrętkę pomiędzy wartością minimum a położeniem pośrednim (1-3).
- W celu długotrwałego przechowywania żywności w komorze zamrażarki należy ustawić pokrętkę w położeniu pośrednim (3-4).
- **Zauważ, że: na temperaturę wewnątrz komór chłodziarki i zamrażarki mają wpływ: temperatura otoczenia, temperatura włożonej do przechowywania żywności oraz częstotliwość otwierania drzwiczek. W razie potrzeby ustawienie temperatury należy zmienić.**
- *Po pierwszym włączeniu urządzenia powinno się je uruchomić na 24 godziny bez wypełniania go żywnością i bez otwierania drzwiczek. Jeśli musisz użyć go od razu, nie wkładaj do jej wnętrza zbyt dużo żywności.*
- *Zawsze należy odczekać co najmniej 5 minut z ponownym włączeniem urządzenia wyłączonego lub odłączonego od sieci, aby nie uszkodzić sprężarki.*
- **LODÓWKI (posiadające znak sprawności w postaci 4 gwiazdek):** Zamrażarka lodówki schładza się do temperatury -18°C i niższej.
- **SPIŻARKI (nieoznakowane gwiazdkami):** Spiżarki (chłodziarki) nie posiadają komory zamrażarki, mogą się jednak schłodzić do temperatury 4-6°C.

Wskaźnik „otwartych drzwiczek” *(dla jednodrzwiowych lodówek z komorą zamrażarki)*

- Wskaźnik "otwartych drzwiczek" na suwaku zamka informuje, czy drzwiczki lodówki są zamknięte prawidłowo, czy też nie.
- Jeśli widoczny jest czerwony wskaźnik, oznacza to, że drzwiczki są wciąż otwarte.
- Jeśli czerwony wskaźnik jest niewidoczny, oznacza to, że drzwiczki są dobrze zamknięte.
- Pamiętaj, że drzwiczki zamrażarki powinny być zawsze prawidłowo zamknięte. Zapobiegnie to rozmrażaniu się żywności wewnątrz zamrażarki; wewnątrz urządzenia nie będzie osadzała się gruba warstwa lodu i szronu oraz nie dojdzie do niepotrzebnego poboru energii.

CZERWONY WSKAŹNIK

CZĘŚĆ 3. PRZECHOWYWANIE ŻYWNOŚCI W URZĄDZENIU

Komora chłodziarki

Komora chłodziarki przeznaczona jest do przechowywania żywności w stanie świeżym przez kilka dni.

- Nie należy dopuszczać do bezpośredniego stykania się żywności z tylną ścianką komory chłodziarki. Pozostaw wokół żywności trochę wolnej przestrzeni, aby umożliwić cyrkulację powietrza.
- Nie umieszczaj w chłodzience gorącej żywności ani parujących płynów.
- Zawsze przechowuj żywność w zamkniętych pojemnikach lub zawiniętą w folię.
- Aby zmniejszyć zawartość wilgoci i nie dopuścić do tworzenia się szronu, nie wolno umieszczać w chłodzience płynów w nieszczelnych pojemnikach.
- Wszelkie pakowane mięsa należy przechowywać na szklanej półce tuż nad pojemnikiem na warzywa, ponieważ panuje tam niższa temperatura.
- Owoce i warzywa można umieszczać w pojemnikach bez opakowania.
- Aby nie dopuszczać do ulatniania się zimnego powietrza, nie należy zbyt często otwierać drzwiczek ani też pozostawiać ich przez dłuższy czas otwartych.

Komora zamrażarki

Komora zamrażarki przeznaczona jest do zamrażania świeżej żywności, do przechowywania zamrożonych produktów przez czas wskazany na ich opakowaniu, a także do wytwarzania kostek lodu.

- **Przeznaczoną do zamrożenia świeżą żywność** należy zawinąć tak, aby opakowanie nie przepuszczało powietrza i nie przeciekało. Najlepsze do tego celu są specjalne torebki do zamrażarek, folia aluminiowa (gruba; w razie wątpliwości należy zawinąć żywność podwójnie), torebki polietylenowe i plastikowe pojemniki.
- Należy pamiętać, że zamrażana świeża żywność nie może stykać się z żywnością już zamrożoną.
- Na opakowaniu zamrażanej żywności należy zawsze wymienić datę zamrożenia oraz zawartość opakowania, i nie można przekraczać zalecanego czasu przechowywania.
- W przypadku awarii zasilania elektrycznego lub awarii samego urządzenia w komorze zamrażarki zostanie utrzymana temperatura niezbędna do przechowywania żywności. Należy jednak unikać otwierania drzwiczek zamrażarki, aby jak najbardziej opóźnić wzrost temperatury w tej komorze.
- Na tabliczce znamionowej znajduje się informacja o maksymalnej ilości świeżej żywności, jaką można załadować do zamrażarki w ciągu 24 godzin (patrz: Wydajność zamrażania).
- Do komory zamrażarki nie wolno wstawiać gorących potraw.
- **Przy zakupie i przechowywaniu mrożonek** należy sprawdzać, czy nie jest uszkodzone ich opakowanie.
- Czas i temperatura zalecana dla przechowywania mrożonek wymienione są na ich opakowaniach. Odnośnie przechowywania żywności i przygotowywania potraw należy stosować się do instrukcji producenta. W przypadku braku takich informacji należy przestrzegać zasady, aby nie przechowywać mrożonej żywności dłużej niż przez 3 miesiące.
- Zakupione mrożonki należy umieszczać w zamrażarce możliwie najszybciej od chwili zakupu.
- Z chwilą rozmrożenia się żywności nie wolno jej ponownie zamrażać; trzeba ją jak najprędzej przygotować do spożycia lub do zamrożenia po przetworzeniu.
- **Aby uzyskać kostki lodu**, należy napełnić odpowiednią foremkę wodą i umieścić ją w komorze zamrażarki. Powstałe po całkowitym zamrożeniu wody kostki lodu można wyjąć, obracając foremkę, zgodnie ze wskazaniem poniżej.

CZĘŚĆ 4. CZYSZCZENIE I KONSERWACJA

- **Przed rozpoczęciem czyszczenia urządzenia należy odłączyć je od zasilania elektrycznego.**
- Uważaj, aby nie rozlewać wody na urządzenie.
- Komorę chłodziarki należy regularnie czyścić, używając do tego celu wodnego roztworu wodorowęglanu sodu o letniej temperaturze.
- Akcesoria należy oddzielnie czyścić wodą z mydłem. Nie wolno myć ich w zmywarce.
- Do czyszczenia akcesoriów nie wolno używać ściernych środków, detergentów ani mydeł. Po umyciu należy opłukać je czystą wodą i dokładnie osuszyć. Po zakończeniu czynności czyszczenia należy ponownie podłączyć urządzenie do sieci, wtykając wtyczkę do gniazdka **suchymi dłońmi**.

Rozmrażanie komory chłodziarki

- Podczas pracy urządzenia odbywa się jego automatyczne rozmrażanie; woda z rozmrażania zbierana jest do parownicy, skąd automatycznie wyparowuje.
- Zarówno parownicę, jak i otwór spustowy wody pochodzącej z rozmrażania należy regularnie oczyszczać, za pomocą zatyczki otworu spustowego, aby woda nie gromadziła się na dnie chłodziarki, lecz była dokładnie usuwana.
- Można również oczyszczać wnętrze rury odpływowej, wlewając do otworu spustowego pół szklanki wody.

Rozmrażanie komory zamrażarki: (jeśli jest):

OSTRZEŻENIE: Podczas rozmrażania komory zamrażarki nie wolno używać ostrych metalowych narzędzi (oprócz narzędzi zalecanych przez producenta), gdyż mogą one uszkodzić układ chłodzący.

Wraz z upływem czasu w niektórych obszarach komory zamrażarki gromadzi się szron. Należy go stamtąd regularnie usuwać (w razie potrzeby można do tego używać plastikowej skrobaczki).

Jeśli warstwa szronu przekracza 3-5 mm, wówczas należy przeprowadzić pełne rozmrażanie zamrażarki, aby utrzymać jej pełną wydajność.

- W dniu poprzedzającym rozmrażanie należy ustawić pokrętkę termostatu w pozycji "5", w celu całkowitego zamrożenia żywności.
- Na czas rozmrażania komory zamrożone produkty należy owinać kilkoma warstwami papieru i umieścić w chłodnym miejscu. Nieunikniony wzrost temperatury skróci czas ich przechowywania. Pamiętaj, aby wykorzystać te produkty możliwie szybko.
- Ustaw pokrętkę termostatu w pozycji "0" i wyłącz urządzenie.
- Aby przyspieszyć rozmrażanie, drzwiczki zamrażarki pozostaw otwarte. Usuń z komory zamrażarki wodę pochodzącą z rozmrażania.
- Oczyszczyć wnętrze ręcznie letnią wodą i niewielką ilością detergentu. **Nigdy nie używaj produktów ściernych lub agresywnych środków do czyszczenia.**
- Osusz wnętrze urządzenia, umieść wtyczkę w gniazdku ściennym, a następnie ustaw pokrętkę termostatu w pozycji "5". Po 24 godzinach zresetuj termostat dożądanego położenia.

Wymiana żarówki

Podczas wymiany żarówki w komorze chłodziarki:

1. Wyciągnij wtyczkę przewodu zasilającego z gniazdka ściennego.
2. Wciśnij haczyki po obu stronach pokrywy oprawy żarówki i zdejmij pokrywę.
3. Wymień żarówkę na nową o mocy nie większej niż 15 W.
4. Załóż ponownie pokrywę oprawy i po odczekaniu 5 minut podłącz urządzenie do sieci.

CZĘŚĆ 5. ZANIM WEZWIESZ SERWIS

Przyczyną nieprawidłowego działania urządzenia może być niewielka usterka, dlatego też przed wezwaniem pomocy serwisowej należy sprawdzić następujące punkty:

Urządzenie nie działa. Sprawdź:

- czy nie wystąpiła awaria zasilania,
- czy wtyczka przewodu zasilającego jest prawidłowo wetknięta do gniazdka sieciowego lub czy nie jest obluzowana,
- czy termostat nie jest ustawiony w pozycji "0".
- Uszkodzone jest gniazdko ścienne. Sprawdź działanie gniazdka, podłączając do niego inne, na pewno sprawne urządzenie elektryczne.

Urządzenie działa mało wydajnie.

Sprawdź:

- czy nie przeciążyłeś urządzenia,
- czy drzwiczki zostały dokładnie zamknięte,
- czy wystarczające są przewody wentylacyjne w szafce kuchennej, w której zainstalowane zostało urządzenie, zgodnie ze wskazówkami w instrukcji obsługi.

Urządzenie hałasuje podczas pracy.

Krążący w obwodzie chłodzenia gaz chłodzący może wytwarzać nieznaczny hałas (odgłos bulgotania) nawet wtedy, gdy sprężarka nie pracuje. Jest to zjawisko normalne, niestwrażające podstaw do niepokoju. Jeśli jednak dźwięki te mają odmienny charakter, sprawdź, czy:

- urządzenie zainstalowane jest w sposób stabilny, zgodnie z opisem w instrukcji instalacji,
- wibrują przedmioty umieszczone na urządzeniu.

Jeśli w dolnej części lodówki zgromadziła się woda, sprawdź, czy:

nie jest zatkany otwór spustowy wody pochodzącej z rozmrażania (do oczyszczenia otworu spustowego użyj zatyczki otworu spustowego).

Zalecenia

- **Aby powiększyć dostępną przestrzeń** i poprawić zewnętrzny wygląd urządzenia, "sekcję chłodzącą" umieszczono wewnątrz tylnej ścianki komory chłodziarki. Podczas pracy sprężarki ścianka ta pokryta jest szronem lub kroplami wody. Nie należy się tym przejmować. Jest to normalne zjawisko. Urządzenie należy rozmrozić tylko wówczas, gdy na tylnej ścianie wytworzy się nadmiernie gruba warstwa lodu.
- **Jeśli nie planuje się korzystania z urządzenia przez dłuższy czas** (na przykład podczas wakacji letnich), wówczas należy ustawić pokrętko termostatu w pozycji "0". Należy rozmrozić i oczyścić chłodziarko-zamrażarkę, pozostawiając otwarte drzwiczki w celu niedopuszczenia do powstania pleśni oraz nieprzyjemnych zapachów.

CZĘŚĆ 6. ELEMENTY SKŁADOWE URZĄDZENIA I JEGO KOMORY

- 1) PÓŁKA CHŁODZIARKI
- 2) POKRYWA POJEMNIKA NA WARZYWA I OWOCE (SZKŁO BEZODPRYSKOWE)
- 3) POJEMNIK NA WARZYWA I OWOCE
- 4) NÓŻKI: PO LEWEJ I PRAWEJ STRONIE
- 5) SKRZYNKA Z TERMOSTATEM
- 6) KOMORA ZAMRAŻARKI(*)
- 7) PÓŁKA DO PRZECHOWYWANIA JAJEK
- 8) PÓŁKA NA BUTELKI
- 9) ŚRODKOWA PÓŁKA
- 10) PÓŁKA NA MASŁO
- 11) POKRYWA PÓŁKI NA MASŁO
- 12) PLASTIKOWA SKROBACZKA(*)

(*) TYLKO DLA NIEKTÓRYCH MODELI.

OBSAH

ČÁST 1: PŘED POUŽITÍM SPOTŘEBIČE 84-85

- Bezpečnostní pokyny
- Doporučení
- Zapnutí spotřebiče

ČÁST 2: POUŽITÍ SPOTŘEBIČE 86-87

- Nastavení termostatu
- Indikátor

ČÁST 3: SKLADOVÁNÍ POTRAVIN 88

- Chladnička
- Mrazák

ČÁST 4: ČIŠTĚNÍ A ÚDRŽBA 89-90

- Odmrazování
- Výměna žárovky

ČÁST 5: NEŽ ZAVOLÁTE SERVIS 91

ČÁST 6: ČÁSTI SPOTŘEBIČE 92

Tento návod k použití je určen pro více modelů. Proto se mohou vyskytnout odlišnosti.

ČÁST 1: PŘED POUŽITÍM SPOTŘEBIČE

Bezpečnostní pokyny

- Před instalací a zapnutím spotřebiče si pečlivě přečtěte tento návod. Výrobce neodpovídá za nesprávnou instalaci a použití.
- **VAROVÁNÍ:** Při vestavbě spotřebiče musí zůstat jeho větrací otvory volné, nezablokované.
- Pokud tento spotřebič nahradí váš starý spotřebič vybavený zámkem, z bezpečnostních důvodů zámek odstraňte, aby nehrozilo riziko uvíznutí dětí uvnitř spotřebiče.
- Pokud model obsahuje chladicí médium izobutan (R600a), přírodní plyn vysoce kompatibilní s životním prostředím, je nutné dbát co nejvyšší opatrnosti, protože izobutan je hořlavý. Je nutné zkontrolovat, že během transportu a instalace spotřebiče nedošlo k poškození chladicího okruhu. V případě, že je chladicí okruh poškozený, vyvarujte se otevřeného ohně nebo zdrojů zapalování a místnost, ve které je spotřebič umístěný, dobře vyvětrejte.
- Chladicí okruh nepoškozujte.
- Nenechte děti, aby si se spotřebičem hrály a věšely se na dvířka. Nepoužívejte adaptéry nebo rozdvojky, které by mohly způsobit přehřátí nebo spálení.
- Nepoužívejte staré, zkroucené napájecí kabely.
- Kabely neohýbejte a nelámejte a udržujte je v dostatečné vzdálenosti od zdrojů tepla.

- S napájecím kabelem nemanipulujte mokřýma rukama.
- Váš starý spotřebič obsahuje izolační plyny a chladicí médium, které musí být zlikvidovány správným způsobem. Před odevzdáním spotřebiče ve sběrném dvoře proto zkontrolujte, zda nebyl poškozený jeho chladicí okruh.
- Po instalaci zkontrolujte, že napájecí kabel není skřípnutý pod spotřebičem.

Doporučení

- Spotřebič nerozmrazujte pomocí jiných elektrických zařízení (např. vysoušeče vlasů) nebo jiným nepřírodným způsobem. K odstranění námrazy nepoužívejte ostré kovové předměty, protože byste tak mohli poškodit chladicí okruh.
- Uvnitř chladničky ani mrazáku nepoužívejte žádná další elektrická zařízení.

- Do mrazáku nevkládejte lahve (skleněné nebo konzervy) obsahující tekutiny (zejména perlivé), protože by mohly během chlazení vybuchnout.
- Nedotýkejte se chladicích povrchů spotřebiče během jeho chodu, zejména mokřýma rukama, protože by pokožka mohla k povrchu spotřebiče přimrznout.
- Nekonzumujte led právě vyjmutý z mrazáku.

Zapnutí spotřebiče

- Před zapnutím spotřebič postavte do svislé polohy a vyčkejte alespoň 3 hodiny, aniž byste se spotřebičem pohnuli. Tak získá chladicí okruh čas se ustálit a začít efektivně fungovat.
- Před použitím spotřebič vyčistěte, zejména uvnitř (viz Čištění a údržba).
- Instalaci spotřebiče a jeho elektrické zapojení musí provést kvalifikovaný technik, a to v souladu s instalačním návodem a místními předpisy.
- Postup instalace spotřebiče do kuchyňské linky je uvedený v instalačním návodu. Spotřebič je určen pro použití pouze v řádné kuchyňské lince.
- Spotřebič musí být zapojen do řádně instalované zásuvky s pojistkou. Napájení (AC) a napětí použité zásuvky musí odpovídat údajům uvedeným na štítku spotřebiče (ten je umístěný uvnitř, na levé straně spotřebiče).
- Zástrčku zapojte do uzemněné zásuvky. Pokud zásuvka není uzemněná nebo zástrčka do zásuvky nepasuje, doporučujeme zavolat autorizovaného servisního technika.
- Výrobce neodpovídá za nesprávné uzemnění, jak je uvedeno v tomto návodu.
- Po prvním spuštění spotřebiče můžete zaznamenat zápach. Ten zmizí po té, co chladnička začne chladit.

ČÁST 2: POUŽITÍ SPOTŘEBIČE

Nastavení termostatu

- Termostat automaticky reguluje teplotu uvnitř chladničky a mrazáku. Otočením ovladače termostatu z polohy 1 na 5 docílíte chladnější teploty.
- Pozice „0“ znamená vypnutí termostatu a chladnička tím pádem nechladí vůbec.
- Pro krátkodobé skladování potravin v mrazáku můžete nastavit ovladač termostatu mezi minimem a prostřední polohou (1-3).
- V případě dlouhodobého skladování potravin nastavte ovladač termostatu na střední polohu (3-4).

- Všimněte si: okolní teplota v místnosti, teplota čerstvě uložených potravin a četnost otevírání dveří spotřebiče ovlivňují teplotu uvnitř chladničky a mrazáku. V případě potřeby proto změňte nastavení teploty.

- Po prvním spuštění spotřebiče doporučujeme nechat spotřebič 24 hodin prázdný a neotvírat jeho dveře. Pokud spotřebič nutně potřebujete okamžitě použít, snažte se neukládat do chladničky příliš mnoho potravin najednou.
- Pokud spotřebič vypnete nebo odpojíte od zdroje energie, musíte před jeho opětovným zapnutím vyčkat alespoň 5 minut, aby nedošlo k poškození kompresoru.
- **CHLADNIČKY S MRAZÁKEM** (se 4 hvězdičkami): Mrazák uvnitř chladničky mrazí na -18°C (a méně).
- **CHLADNIČKY** (bez mrazáku): Tyto chladničky nemají mrazák, ale chladí na $4-6^{\circ}\text{C}$.

Indikátor „otevřených dveří“: (u jednodveřové chladničky s mrazákem)

- Indikátor „otevřených dveří“ na západce zámku indikuje, zda jsou dveře zavřené nebo nikoliv.
- Pokud vidíte červený indikátor, nejsou dveře zavřené.
- Pokud červený indikátor nevidíte, dveře jsou řádně zavřené.
- Zajistěte, aby dveře mrazáku byly vždy řádně zavřené. Zabráníte tak rozmražení skladovaných potravin, vzniku silné námrazy uvnitř mrazáku a zbytečnému zvýšení spotřeby energie.

ČERVENÝ INDIKÁTOR

ČÁST 3: SKLADOVÁNÍ POTRAVIN

Chladnička

Chladnička je určena pro skladování čerstvých potravin po dobu několika dnů.

- Uložené potraviny by se neměly dotýkat zadní stěny chladničky. Okolo potravin nechte volné místo, aby mohl volně proudit vzduch.
- Do chladničky nekládejte teplé potraviny nebo odpařující se tekutiny.
- Potraviny vždy skladujte v uzavřených nádobách nebo zabalené.
- Vznik vlhkosti a hromadění námrazy snížíte tak, že v chladničce nebudete skladovat tekutiny v otevřených nádobách.
- Veškeré maso, zabalené, doporučujeme skladovat na skleněné polici nad zásuvkou na ovoce a zeleninu, kde je vzduch chladnější.
- Ovoce a zeleninu skladujte v zásuvce a bez obalů.
- Aby nedocházelo k úniku chladného vzduchu z chladničky, neotvírejte dveře příliš často a nenechávejte je otevřené příliš dlouho.

Mrazák

Mrazák je určen pro zmrazení čerstvých potravin a skladování zmražených potravin po dobu uvedenou na obalu, dále pro výrobu ledu.

- Mražení čerstvých potravin: čerstvé potraviny dobře zabalte, obal by měl být vzduchotěsný a neměl by nikde téct. Ideální jsou speciální sáčky do mrazáku, hliníková fólie (silnější, v dvojité vrstvě), polyethylenové sáčky nebo plastové nádoby.
- Čerstvé potraviny určené ke zmrazení by neměly přijít do kontaktu s již mraženými potravinami.
- Vždy na obal poznamenejte datum a obsah nádoby a nepřekračujte dobu skladování.
- V případě výpadku elektrického proudu nebo poruchy spotřebiče si mrazák zachová dostatečně nízkou teplotu pro skladování potravin. Přesto se ale snažte neotvírat dvířka mrazáku, aby se tak zpomalilo postupné zvyšování teploty uvnitř mrazáku.
- Maximální množství čerstvých potravin, které lze vložit do mrazáku během 24 hodin je uvedeno na štítku spotřebiče (viz Mrazicí kapacita).
- Nikdy do mrazáku nekládejte teplé potraviny.
- Při zakoupení a uskladnění mražených potravin se přesvědčte, že není poškozený jejich obal.
- Doba skladování a doporučená teplota skladovaných potravin je uvedena na jejich obalu. Při skladování a použití dodržujte pokyny výrobce. Pokud tyto informace uvedené nejsou, neskladujte potraviny déle než 3 měsíce.
- Mražené potraviny uložte do mrazáku co nejdříve po jejich zakoupení.
- Jakmile potraviny rozmraznou, nesmíte je znovu zmrazit. Musíte je co nejdříve tepelně zpracovat a následně zkonsumovat nebo znovu zmrazit.
- Led vyrobíte tak, že tvořítka na led naplníte vodou a vložíte do mrazáku. Jakmile voda zcela zmrazne, můžete tvořítka ohnout, jak je uvedeno na obrázku, a vyjmout kostky ledu.

ČÁST 4: ČIŠTĚNÍ A ÚDRŽBA

- Před čištěním spotřebič odpojte od zdroje energie.
- Na spotřebič nelijte vodu.
- Chladničku čistěte pravidelně pomocí roztoku jedlé sody a vlažné vody.
- Příslušenství čistěte samostatně mýdlem a vodou. Nevkládejte je do myčky.
- Nepoužívejte brusné čisticí prostředky, detergenty nebo mýdla. Po umytí opláchněte čistou vodou a pečlivě vysušte. Po dokončení čištění spotřebič opět zapojte do zásuvky – suchýma rukama.

Odmrazování chladničky:

- Odmrazování probíhá automaticky během provozu chladničky. Odmražená voda se shromažďuje v odpařovací drážce a automaticky se odpařuje.
- Odpařovací drážka a drenážní otvor byste měli pravidelně čistit pomocí drenážní zátky, aby se vespod chladničky nehromadila voda.
- Drenážní otvor můžete uvnitř vyčistit také tím, že do něj nalijete ½ sklenice vody.

Odmrazování mrazáku (je-li jím spotřebič vybaven):

VAROVÁNÍ: Pro tento úkon nikdy nepoužívejte ostré kovové předměty, pokud tak není stanoveno výrobcem, protože byste mohli poškodit chladicí okruh.

Časem se na určitých místech mrazáku vytvoří námraza. Tato námraza by měla být pravidelně odstraňována (pomocí plastové škrabky).

Celkové odmrazení mrazáku, aby jeho provoz zůstal efektivní, je nutné tehdy, pokud vrstva námrazy překročí 3-5 mm.

- Den před odmrazováním nastavte termostat na „5“, abyste tak kompletně zmrazili všechny uložené potraviny.
- Během odmrazování potraviny uložte, zabalené do několika vrstev papíru, na chladné místo. Nevyhnutelné zvýšení teploty zkrátí jejich životnost. Proto nezapomeňte tyto potraviny co možná nejdříve zpracovat.
- Termostat nastavte na „0“ a spotřebič vypněte.
- Nechte otevřená dvířka, abyste tak odmrazování urychlili. Ze spotřebiče odstraňujte odmraženou vodu.
- Vnitřek umyjte rukama vlažnou vodou a trochou mycího prostředku. Nikdy nepoužívejte brusné prostředky nebo agresivní čističe.
- Vnitřek spotřebiče vysušte, zapojte spotřebič do zásuvky a termostat nastavte na „5“. Po 24 hodinách nastavte termostat do vámi požadované polohy.

Výměna žárovky

Pokud chcete vyměnit žárovku vnitřního osvětlení spotřebiče:

1. Spotřebič odpojte od zdroje energie.
2. Stiskněte háčky na stranách krytu osvětlení a kryt sejměte.
3. Vyměňte žárovku za novou, ne silnější než 15 W.
4. Kryt instalujte zpět a vyčkejte 5 minut, než spotřebič opět zapojíte do zásuvky.

ČÁST 5: NEŽ ZAVOLÁTE SERVIS

Pokud váš spotřebič nefunguje správně, může jít jen o zanedbatelný problém, proto nejdřív zkontrolujte následující.

Spotřebič vůbec nefunguje.

Zkontrolujte, zda:

- nedošlo k výpadku elektrického proudu.
- je správně zapojená zástrčka nebo není uvolněná.
- není termostat nastavený na „0“.
- není poškozená zásuvka. Tuto skutečnost zkontrolujete tak, že do ní zapojíte jiné zařízení, o kterém víte, že funguje.

Spotřebič nefunguje správně.

Zkontrolujte, zda:

- jste spotřebič nepřetížili.
- nejsou nedovřená dvířka spotřebiče.
- má spotřebič dostatečné odvětrávání v kuchyňské lince, jak je uvedeno v instalačním návodu.

V případě výskytu hluku:

Chladicí médium cirkulující v chladicím obvodu může vydávat mírný hluk (bublání) i tehdy, pokud kompresor právě neběží. Nemějte obavy, toto je zcela běžné. Pokud jde o jiné zvuky, zkontrolujte, zda:

- je spotřebič instalován pevně tak, jak je uvedeno v instalačním návodu.
- nevibrují předměty na spotřebiči.

Pokud je vespod spotřebiče voda.

Zkontrolujte, zda:

není ucpaný drenážní otvor (k vyčištění drenážního otvoru použijte drenážní zátku).

Doporučení

- Kvůli zvětšení místa a zdokonalení vzhledu je „chladicí část“ chladničky umístěna uvnitř její zadní stěny. Během chodu kompresoru je tato část pokryta námrazou a kapkami vody. Nemějte obavy. Je to normální. Spotřebič odmrázujte pouze tehdy, pokud se na jeho zadní stěně nahromadí silnější vrstva ledu.
- Pokud spotřebič delší dobu nepoužíváte (např. během letních prázdnin), nastavte termostat na „0“. Chladničku odmrázte a vyčistěte, dvířka nechte otevřená, aby se uvnitř netvořily plísně a zápach.

ČÁST 6: ČÁSTI SPOTŘEBIČE

- 1) POLICE
 - 2) KRYT ZÁSUVKY NA OVOCE A ZELENINU
(BEZPEČNOSTNÍSKLO)
 - 3) ZÁSUVKA NA OVOCE A ZELENINU
 - 4) LEVÁ A PRAVÁ NOŽKA
 - 5) TERMOSTAT
 - 6) MRAZÁK (*)
 - 7) POLICE NA VEJCE
 - 8) DRŽÁK NA LAHVE
 - 9) PROSTŘEDNÍ POLICE
 - 10) POLICE NA MÁSLA
 - 11) KRYT POLICE NA MÁSLA
 - 12) PLASTOVÁ ŠKRABKA (*)
- (*) POUZE U NĚKTERÝCH MODELŮ

AR**تحذير: لا تستخدم أدوات ميكانيكية أو أية وسائل صناعية لتسريع عملية إذابة الثلج.**

تحذير: لا تستخدم الأجهزة الكهربائية في درج تخزين الطعام في الثلاجة

تحذير: حافظ فتحات التهوية مفتوحة

تحذير: لا تتلف دائرة تبريد الثلاجة.

إن هذا المنتج غير مخصص للاستخدام من قبل الأفراد ذوي القدرات المحدودة أو من ذوي الاحتياجات الخاصة (بما في ذلك الأطفال) أو الأفراد الذين تعوزهم الخبرة والمعرفة ما لم يكن هناك إشراف مباشر عليهم أو لديهم تعليمات تتعلق باستخدام الجهاز بواسطة شخص مسؤل عن سلامتهم. يجب الإشراف على الأطفال للتأكد من أنهم لا يعبتون بالجهاز إذا تلف سلك التمديد فيجب استبداله بواسطة المصنع أو وكيل الخدمة أو الشخص المكلف بذلك

BG

Внимание: Не използвайте механични уреди или други средства за ускоряване на процеса на разлеждане.

Внимание: Не използвайте електрически уреди в отделението за съхранение на храни на уреда.

Внимание: Дръжте вентилационните отвори открити

Внимание: Внимавайте да не повредите охладителната верига на хладилника.

Уредът не е предназначен за употреба от лица (вкл. деца) с намалени физически, сетивни или умствени способности, или от лица без опит и познания, освен ако не бъдат контролирани или инструктирани относно употребата на уреда от лице, отговарящо за безопасността им. Не позволявайте на деца да си играят с уреда.

Ако захранващият кабел е повреден, той трябва да бъде подменен от производителя или сервизен техник или квалифицирано лице.

BO

Opozorenje: Ne koristite mehanička ili druga vještačka sredstva za ubrzanje procesa odležavanja.

Opozorenje: Ne koristite električne uređaje u dijelu za smještaj hrane aparata.

Opozorenje: Pazite da su ventilacioni otvori na aparatu uvijek slobodni.

Opozorenje: Ne oštećujte cirkulacioni krug rashladnog sredstva.

Aparat nije pogodan za upotrebu od strane osoba (uključujući djecu) sa smanjenim fizičkim, senzornim ili mentalnim sposobnostima, odnosno, osoba koje ne posjeduju potrebno iskustvo i znanje, osim ako aparat upotrebljavaju pod nadzorom ili u skladu sa uputama osobe odgovorne za njihovu sigurnost. Treba paziti da se djeca ne igraju sa aparatom. Ukoliko je napojni kabal oštećen, njegovu zamjenu treba izvršiti proizvođač, serviser ili druga ovlaštena osoba.

CZ

Upozornění: Nepoužívejte mechanická zařízení ani jiné nepřirozené prostředky na urychlení odmrážení.

Upozornění: Nepoužívejte elektrické spotřebiče v prostoru na uskladnění potravin.

Upozornění: Udržujte větrací otvory spotřebiče volně

Upozornění: Nepoškoďte chladicí okruh chladničky.

Tento spotřebič není určen pro používání osobami (včetně dětí) se sníženou tělesnou, smyslovou nebo duševní schopností nebo nedostatkem zkušeností a znalostí, pokud neprošli školením ohledně používání spotřebiče od osoby zodpovědné za jejich bezpečnost. Děti je třeba kontrolovat, aby se zajistilo, že si nebudou hrát se spotřebičem. Pokud je poškozen napájecí kabel, je nutno jej vyměnit výrobcem nebo servisním pracovníkem či příslušnou osobou.

DA

Advarsel: Brug ikke mekanisk udstyr eller andre kunstige midler til at forcere afrimningen.

Advarsel: Anvend ikke elektriske apparater i apparatets opbevaringsrum.

Advarsel: Hold apparatets ventilationsåbninger fri

Advarsel: Undgå at beskadige køleskabets kølekredsløb.

Apparatet er ikke beregnet for personer (inkl. børn), der er fysisk eller mentalt handicappede, der mangler erfaring eller viden, medmindre de bliver overvåget eller får undervisning i brug af apparatet af en person, der er ansvarlig for deres sikkerhed. Små børn skal holdes under opsyn for at sikre, at de ikke leger med apparatet. Hvis kraftledningen

er skadet, skal den erstattes af producenten eller dennes servicebefuldmægtigede eller udnævnte person.

DE **Warnung:** Benutzen Sie keine mechanischen Hilfsmittel oder andere Mittel zur Beschleunigung des Abtauvorgangs.

Warnung: Setzen Sie keinerlei Elektrogeräte im Inneren des Gerätes ein.

Warnung: Halten Sie die Belüftungsöffnungen des Gerätes frei.

Warnung: Beschädigen Sie nicht den Kühlkreislauf des Gerätes.

Das Gerät ist nicht zur Nutzung durch Personen (einschließlich Kindern) vorgesehen, die über reduzierte körperliche Eignung, Wahrnehmung oder geistige Fähigkeiten, Mangel an Erfahrung und Wissen verfügen, sofern diese Personen nicht von einer verantwortlichen Person beaufsichtigt oder in der Verwendung des Gerätes unterwiesen wurden. Kinder sollten grundsätzlich beaufsichtigt werden, damit sie nicht mit dem Gerät spielen.

Falls das Netzkabel beschädigt sein sollte, muss es vom Hersteller, einer seiner Serviceniederlassungen oder einer vom Hersteller empfohlenen Person ausgetauscht werden.

EL **Προειδοποίηση:** Μη χρησιμοποιείτε μηχανικές διατάξεις ή άλλα τεχνητά μέσα για να επιταχύνετε τη διαδικασία της απόψυξης.

Προειδοποίηση: Μη χρησιμοποιείτε ηλεκτρικές συσκευές στο χώρο αποθήκευσης τροφίμων της συσκευής.

Προειδοποίηση: Διατηρείτε ανοιχτά τα ανοίγματα αερισμού της συσκευής.

Προειδοποίηση: Μην προκαλέσετε ζημιά στο κύκλωμα του ψυκτικού μέσου του ψυγείου.

Η συσκευή δεν προορίζεται για χρήση από άτομα (περιλαμβανομένων παιδιών) με μειωμένες σωματικές, αισθητηριακές ή πνευματικές ικανότητες ή με έλλειψη εμπειρίας και γνώσης, εκτός αν στα άτομα αυτά έχει παρασχεθεί επιτήρηση ή καθοδήγηση σχετικά με τη χρήση της συσκευής από άτομο υπεύθυνο για την ασφάλειά τους. Τα παιδιά πρέπει να βρίσκονται υπό επίβλεψη, ώστε να εξασφαλίζεται ότι δεν παίζουν με τη συσκευή.

Αν το καλώδιο τροφοδοσίας έχει υποστεί ζημιά ή φθορά, πρέπει να αντικατασταθεί από τον κατασκευαστή ή από συνεργείο σέρβις ή από εξουσιοδοτημένο άτομο.

EN **Warning:** Do not use mechanical devices or other artificial means to accelerate the defrosting process.

Warning: Do not use electrical appliances in the food storage of the appliance.

Warning: Keep the appliance ventilation openings free

Warning: Do not damage the refrigerator's refrigerant circuit.

The appliance is not intended for use by people (including children) with reduced physical, sensory or mental capabilities, or lack of experience and knowledge, unless they have been given supervision or instruction concerning use of the appliance by a person responsible for their safety. Children should be supervised to ensure that they don't play with the appliance. If the supply cord is damaged it must be replaced by the manufacturer or service agent or appointed person.

ES **Advertencia:** No utilice dispositivos mecánicos u otros medios artificiales para acelerar el proceso de descongelación.

Advertencia: No utilice aparatos eléctricos en el compartimento de alimentos del frigorífico.

Advertencia: Mantenga despejadas las aberturas de ventilación del frigorífico

Advertencia: Evite dañar el circuito de refrigeración del frigorífico.

Este aparato no está diseñado para que lo usen niños o personas con sus capacidades físicas, sensoriales o mentales reducidas, o bien que carezcan de experiencia y conocimientos, a menos que sea bajo supervisión de una persona responsable de su seguridad o que esta persona les haya dado instrucciones acerca de su uso. Se debe vigilar a los niños para asegurarse de que no jueguen con el electrodoméstico.

Si el cable de alimentación sufriera daños, deberá solicitar su sustitución al fabricante, o bien a un técnico de mantenimiento o persona autorizada.

ET

Hoiatus: Ärge kasutage sulatamisprotsessi kiirendamiseks mehaanilisi seadmeid ega muid kunstlikke vahendeid.

Hoiatus: Ärge kasutage seadme toiduainete säilituskambris elektriseadmeid.

Hoiatus: Vältige seadme ventilatsioonivahete blokeerimist.

Hoiatus: Vältige külmiku külmaainesüsteemi vigastamist.

Seade ei ole mõeldud kasutamiseks füüsilise, meele- või vaimupuudega või nappide kogemuste ja teadmistega inimestele (sealhulgas lapsed), välja arvatud juhul, kui nad kasutavad seda oma ohtuse eest vastutava isiku järelevalve all või on saanud vastavad juhised. Lastel tuleb silma peal hoida, et nad ei saaks seadmega mängida.

Kui toitejuhe on vigastatud, tuleb see lasta tootjal, tema hooldustehnikul või volitatud isikul tuleohtu vältimiseks välja vahetada.

FA

اخطار: از ابزار مکانیکی یا وسایل دست ساز برای یخ زدایی سریع استفاده کنید .

اخطار: لوازم برقی در انبار مواد غذایی دستگاه استفاده نکنید .

اخطار: تهویه هوای دستگاه را باز نگه دارید .

اخطار: به مدار سردساز یخچال را صدمه نزنید .

دستگاه به منظور استفاده اشخاصی (از جمله بچه ها) که مشکل فیزیکی دارند، اشخاص با کمبود توانایی های حسی و ذهنی یا اشخاص بدون تجربه و دانش تهیه نشده است مگر اینکه آنها را در مورد استفاده دستگاه توسط یک شخص مسئول به لحاظ ایمنی راهنمایی شده باشند یا تحت نظر قرار گیرند . بچه ها باید به لحاظ اطمینان از اینکه آنها با دستگاه بازی نمی کنند تحت نظر باشند .

اگر سیم برق صدمه دیده است، باید با کارخانه سازنده یا نماینده خدمات یا یک شخص انتصابی تعویض گردد .

FI

Varoitus: Älä käytä mekaanisia välineitä tai muita apuvälineitä sulatusprosessin nopeuttamiseen.

Varoitus: Älä käytä sähkölaitteita jääkaapin ruoansäilytystiloissa.

Varoitus: Pidä laitteen tuuletusaukot avoimina.

Varoitus: Älä vaurioita jääkaapin jäähdytysvirtapiiriä.

Tätä laitetta ei ole tarkoitettu sellaisten henkilöiden käyttöön (mukaan lukien lapset), joiden fyysiset, sensoriset tai henkiset ominaisuudet ovat heikentyneet eikä sellaisten henkilöiden käyttöön, joilla puuttuu laitteen käyttökokemus ja tieto, jollei henkilöiden turvallisuudesta vastuullinen henkilö anna heille ohjausta tai ohjeita laitteen käytöstä. Pieniä lapsia on neuvottava, jotta he eivät leiki laitteen kanssa.

Jos virtajohto on vahingoittunut, valmistajan, valtuutetun huollon tai pätevän sähköasentajan on vaihdettava johto.

FL

Waarschuwing: Gebruik geen andere mechanische toestellen of anderen middelen om het ontdooiingproces te versnellen

Waarschuwing: Gebruik geen elektrische toestellen in de bewaarladen van het toestel.

Waarschuwing: Houd de ventilatieopeningen van het toestel vrij.

Waarschuwing: Beschadig het koelcircuit van de koelkast niet.

Dit apparaat is niet bedoeld voor gebruik door personen (inbegrepen kinderen) met gereduceerde fysieke, zintuiglijke of mentale capaciteiten, of een gebrek aan ervaring en kennis, tenzij ze toezicht of instructies kregen betreffende het gebruik van het apparaat door een persoon die verantwoordelijk is voor hun veiligheid. Kinderen moeten onder toezicht staan om ervoor te zorgen dat ze niet spelen met het apparaat.

Indien de elektriciteitskabel beschadigd is, moet deze worden vervangen door de fabrikant of service agent of een aangeduide persoon.

FR

Avertissement : N'utilisez pas d'appareils mécaniques ou d'autres moyens artificiels pour accélérer le processus de décongélation.

Avertissement : N'utilisez pas d'appareils électriques dans l'espace de stockage des aliments de l'appareil.

Avertissement : N'obstruez pas les ouvertures de ventilation de l'appareil.

Avertissement : N'endommagez pas le circuit de liquide réfrigérant du réfrigérateur.

Cet appareil n'est pas destiné à être utilisé par des personnes (enfants inclus) dont les capacités physiques, sensorielles ou intellectuelles sont réduites ou bien manquant

d'expérience et de connaissances à moins d'avoir été encadrées ou formées au niveau de l'utilisation de l'appareil par une personne responsable de leur sécurité. Surveillez les enfants pour s'assurer qu'ils ne jouent pas avec l'appareil.
Si le cordon d'alimentation est endommagé, il doit être remplacé par le fabricant ou par un agent de maintenance ou une personne dûment qualifiée.

HE

אזהרה: אין להשתמש בהתקנים מכניים או במצעים מלאכותיים אחרים להאצת תהליך ההפשרה.
אזהרה: אין להשתמש במכשירי חשמל במקום המיועד לאחסון המזון של המכשיר.
אזהרה: הקפד שפתחי האוורור של המכשיר יהיו חופשיים.
אזהרה: אין לגרום נזק למעגל המצנן של המקרר.
מכשיר זה אינו מיועד לשימוש על ידי אנשים או ילדים בעלי יכולת פיזית ירודה או בעלי לקויות חישתיות או שכליות או חסרי ניסיון או ידע הולמים, אלא אם כן הם משתמשים במכשיר תחת השגחתו או לפי הוראתו של אדם האחראי לבטיחותם. יש להשגיח על ילדים ולוודא שהם אינם משחקים במכשיר.
אם כבל החשמל פגום, על מחליף הכבל להיות או היצרן, או איש שירות או אדם שמונה מטעם היצרן.

HU

Figyelmeztetés: Ne használjon mechanikai vagy más mesterséges eszközt a felolvasztás gyorsításához.
Figyelmeztetés: A készülék élelmiszertárolójában ne használjon elektromos készülékeket.
Figyelmeztetés: A készülék szellőzőnyílásait hagyja szabadon.
Figyelmeztetés: Ne okozzon sérülést a készülék hűtőfolyadék-keringetőjében.
A készüléket ne használják fizikailag legyengült, érzéki, illetve mentális zavarban szenvedő, tapasztalatlan személyek (a gyermekeket is ideértve), kivéve, ha valamely, a biztonságukért felelős személy felügyeli őket, illetve útmutatást ad a nekik a készülék használata kapcsán.
Ügyeljen rá, hogy gyermek ne játsszon a készülékkel.
Amennyiben a tápkábel sérült, akkor azt a gyártónak, a szerviznek, vagy valamely arra kijelölt személynek ki kell cserélnie

HR

Upozorenje: Ne koristite mehaničke uređaje ili druge umjetne načine za ubrzavanje postupka otapanja.
Upozorenje: Ne koristite električne uređaje u spremniku za hranu u aparatu.
Upozorenje: Držite otvore za ventilaciju aparata slobodno
Upozorenje: Ne oštećujte skop rashladnog sredstva uređaja.
Ovaj uređaj nije namijenjen za uporabu osobama smanjenih tjelesnih, osjetnih ili mentalnih sposobnosti (uključujući djecu), ili bez iskustva ili znanja, osim ako nemaju nadzor ili su od osobe koja je zadužena za njihovu sigurnost dobili upute vezanu uz uporabu uređaja . Djeca trebaju biti pod nadzorom kako bi ih se spriječilo da se igraju s aparatom.
Ukoliko je kabel napajanja oštećen, mora ga zamijeniti proizvođač ili serviser ili ovlaštena osoba.

IT

Attenzione: non usare dispositivi meccanici o altri strumenti artificiali per accelerare il processo di sbrinamento.
Attenzione: non usare dispositivi elettrici nello scomparto di conservazioni cibi del dispositivo.
Attenzione: tenere libere le aperture di ventilazione del dispositivo
Attenzione: non danneggiare il circuito refrigerante del frigo.
Questo apparecchio non deve essere usato da persone (inclusi i bambini) con capacità fisiche, sensoriali o mentali ridotte, o che mancano di esperienza e conoscenza, a meno che non abbiano ricevuto una supervisione o istruzioni sull'uso dell'apparecchio da parte di una persona responsabile della loro sicurezza. I bambini devono ricevere supervisione per assicurarsi che non giochino con l'apparecchio.
Se il cavo di alimentazione viene danneggiato, deve essere sostituito dal produttore o da un tecnico per l'assistenza o una persona addetta.

KK

Ескерту: Мұздан еріту әрекетін тездету мақсатымен механикалық аспаптар немесе басқа жасанды аспаптарды қолдануға болмайды.
Ескерту: Құралдың тамақ сақтау орнында электр құралдарын қолдануға болмайды.
Ескерту: Құралдың желдеткіш тесікшелерін бос сақаңыз.

Ескерту: Тоңазытқыштың салқндату жүйесін зақымдап алмаңыз..

Бұл құралмен физикалық кемтарлығы бар, сезімталдығы немесе есі кем, немесе тәжірибесі мен білімі жоқ адамдарға (жас балаларға) қолдануға болмайды, егер оларға қауіпсіздігіне жауапты адам алдын ала нұсқау бермеген болса, немесе оларды қадағалап отырмаса. Жас балаларды бұл құралмен ойнамас үшін, қадағалау керек. Егер тоқ сымы зақымдалған болса, оны міндетті түрде тек өндіруші немесе қызмет агенті тағайындаған адам алмастыруы керек.

LO **Brīdinājums:** Neizmantojiet mehāniskas ierīces vai citus mākslīgus līdzekļus, lai paātrinātu atkausēšanas procesu.

Brīdinājums: Neizmantojiet elektriskas iekārtas pārtikas uzglabāšanas telpā iekārtā.

Brīdinājums: Nenobloķējiet iekārtas ventilācijas atveres

Brīdinājums: Nesabojājiet saldēšanas iekārtas saldēšanas šķidrums plūsmas iekārtu.

Iekārta nav paredzēta, lai to izmantotu personas (arī bērni), kam ir samazinātas jušanas vai mentālās spējas, kam trūkst pieredzes vai zināšanu, ja vien par drošību atbildīga persona neveic uzraudzību vai nav sniegusi attiecīgas instrukcijas. Bērni ir jāuzrauga, lai pārlicinātos, ka tie nespējējas ar iekārtu.

Ja strāvas padeves vads ir bojāts, to jānomaina pie ražotāja vai apkopes aģenta, vai ieceltas personas.

LT **Dėmesio:** Atšildymo procesui pagreintinti nenaudokite jokių mechaninių prietaisų arba kitokių dirbtinių priemonių.

Dėmesio: Buitinio prietaiso maisto saugojimo skyriuje nelaikykite jokių elektrinių prietaisų.

Dėmesio: Neuždenkite buitinio prietaiso ventilacijos angų.

Dėmesio: Nepažeiskite šaldytuvo grandinės, kuria cirkuliuoja aušinimo medžiaga.

Šis buitinis neskirtas asmenims (įskaitant vaikus) su silpnesniais fiziniais, jutimo arba protiniais sugebėjimais arba tiems, kuriems trūksta patirties ir žinių, nebent jie naudotų šį prietaisą prižiūrimi už jų saugumą atsakingo asmens arba būtų apmokyti, kaip jį naudoti. Vaikus reikėtų prižiūrėti, kad jie nežaistų su buitiniu prietaisu.

Jeigu maitinimo laidas pažeistas, jį taip pat turi pakeisti gamintojas, techninio aptarnavimo atstovas arba paskirtasis specialistas.

MK **Предупреждение:** Не користетe механички уреди или други вештачки средства за да го забрзате процесот на одмрзнување.

Предупреждение: Не користетe електрични апарати во одделот за храна на овој уред.

Предупреждение: Одржувајте ги отворите за вентилација на уредот непопречени.

Предупреждение: Не оштетувајте го колото за ладење на фрижидерот.

Уредот не е наменет да го користат лица (вклучително и деца) со намалена физичка, чувствителна или ментална способност или им недостакува искуство и знаење освен ако не се под надзор или не биле претходно обучени во однос на употребата на уредот од страна на лице кое е одговорно за нивната безбедност. Децата треба да се надгледуваат за да обезбеди тие да не си играат со уредот.

Ако кабелот за напојување е оштетен, истиот мора да се замени од страна на производителот, сервисер или друго обучено лице.

NO **Advarsel:** Ikke bruk mekanisk utstyr eller andre kunstige midler for å akselerere avisingsprosessen.

Advarsel: Ikke bruk elektriske apparater i matlagringen til apparatet.

Advarsel: Hold apparatets ventilasjonsåpninger fri

Advarsel: Pass på så du ikke skader kjøleskapets kjølekreter.

Dette apparatet er ikke ment for bruk av personer (inkludert barn) med reduserte fysiske, sensoriske eller mentale evner, eller manglende erfaring og kunnskap, med mindre de er gitt opplæring eller instruks i bruk av apparatet av en person som er ansvarlig for deres sikkerhet. Barn må passes for å sikre at de ikke leker med apparatet.

Hvis apparatkabelen blir skadet, må den skiftes ut av produsenten eller serviceagent eller ulykkelig person.

NL **Waarschuwing:** Gebruik geen andere mechanische toestellen of anderen middelen om het ontdooiingproces te versnellen

Waarschuwing: Gebruik geen elektrische toestellen in de bewaarladen van het toestel.

Waarschuwing: Houd de ventilatieopeningen van het toestel vrij.

Waarschuwing: Beschadig het koelcircuit van de koelkast niet.

Dit apparaat is niet bedoeld voor gebruik door personen (inbegrepen kinderen) met gereduceerde fysieke, zintuiglijke of mentale capaciteiten, of een gebrek aan ervaring en kennis, tenzij ze toezicht of instructies kregen betreffende het gebruik van het apparaat door een persoon die verantwoordelijk is voor hun veiligheid. Kinderen moeten onder toezicht staan om ervoor te zorgen dat ze niet spelen met het apparaat.

Indien de elektriciteitskabel beschadigd is, moet deze worden vervangen door de fabrikant of service agent of een aangeduide persoon.

PL **Uwaga:** Nie należy używać żadnych przyrządów mechanicznych ani innych sztucznych środków do przyspieszenia procesu odszraniania.

Uwaga: W pojemniku chłodziarki na żywność nie należy używać żadnych urządzeń elektrycznych.

Uwaga: Otwory wentylacyjne chłodziarki muszą pozostawać otwarte.

Uwaga: Nie wolno uszkodzić obwodu obiegu chłodziwa chłodziarki.

Urządzenie to nie jest przeznaczone do użytkowania przez osoby (w tym dzieci) o ograniczonej sprawności fizycznej, czuciowej lub umysłowej lub bez doświadczenia albo wiedzy, bez nadzoru lub instrukcji dotyczących użytkowania urządzenia ze strony osoby odpowiedzialnej za ich bezpieczeństwo. Trzeba uważać na małe dzieci, aby nie bawiły się tym urządzeniem.

W razie uszkodzenia przewodu zasilającego należy go poddać wymianie przez producenta, punkt serwisowy lub upoważniony personel.

PT **Aviso:** Não use dispositivos mecânicos ou outros meios artificiais para acelerar o processo de descongelação.

Aviso: Não use aparelhos eléctricos na gaveta de alimentos do equipamento.

Aviso: Mantenha os orifícios de ventilação do equipamento desobstruídos.

Aviso: Não danifique o circuito de refrigeração do frigorífico.

O equipamento não se destina à utilização por pessoas (incluindo crianças) com capacidades físicas, sensoriais ou mentais reduzidas ou sem experiência e conhecimento, a não ser que sejam supervisionadas ou instruídas sobre a utilização do equipamento por uma pessoa responsável pela sua segurança. As crianças devem ser supervisionadas para garantir que não brinquem com o equipamento.

Se o cabo de alimentação se danificar, deverá ser substituído pelo fabricante ou por uma pessoa qualificada.

RO **Atenție:** Nu folosiți dispozitive mecanice sau alte metode artificiale de accelerare a procesului de dezghețare.

Atenție: Nu folosiți aparate electrice în spațiul de depozitare a alimentelor.

Atenție: Nu blocați orificiile de ventilare

Atenție: Nu deteriorați circuitul agentului frigorific al frigiderului.

Acest aparat nu este destinat utilizării de către persoane (inclusiv copii) cu capacități fizice, senzoriale sau mintale reduse, sau care nu au experiența și cunoștințele necesare, cu excepția cazului în care sunt supravegheate sau instruite de către persoana responsabilă cu siguranța acestora. Copiii trebuie supravegheați pentru a nu se juca cu aparatul.

În cazul în care cablul de alimentare este deteriorat, trebuie înlocuit de producător sau de un agent de service.

RU **Внимание!** Для ускорения процесса замораживания не используйте механические или другие устройства.

Внимание! Не используйте электрические приборы внутри камер для хранения пищевых продуктов.

Внимание! Держите вентиляционные отверстия прибора открытыми

Внимание! Не повредите контур охлаждения холодильника.

Данная бытовая техника не предназначена для использования людьми (в том числе детьми) с ограниченными физическими, сенсорными или умственными возможностями, а также лицами, не имеющими достаточного опыта и знаний, кроме случаев, когда они делают это под наблюдением ответственных за соблюдение безопасности лиц или перед этим прошли обучение под руководством указанных лиц. Следите за тем, чтобы дети не играли с бытовой техникой.

В случае повреждения шнура питания его замена должна осуществляться производителем, представителем его сервисной службы или уполномоченным лицом.

SB **Upozorenje:** Ne koristite mehaničke alate ili druge veštačke načine za ubrzavanje procesa topljenja.

Upozorenje: Ne koristite električne aparate u odeljku za hranu u aparatu.

Upozorenje: Držite otvore za ventilaciju aparata slobodno

Upozorenje: Ne oštećujte skop rashladnog sredstva aparata.

Ovaj aparat nije namenjen za upotrebu licima smanjenih fizičkih, čulnih ili mentalnih sposobnosti (uključujući decu), ili bez iskustva ili znanja, osim ako nemaju nadzor ili su od lica koje je zaduženo za njihovu bezbednost dobili uputstva vezana za upotrebu aparata. Deca trebaju biti pod nadzorom kako bi ih se sprečilo da se igraju s aparatom.

Ako je kabl napajanja oštećen, mora ga zameniti proizvođač ili serviser ili ovlašćeno lice.

SK **Upozornenie:** Nepoužívajte mechanické zariadenia alebo iné cudzie prostriedky na urýchlenie procesu rozmrazovania.

Upozornenie: Nepoužívajte elektrické zariadenia v úložnom priestore potravín v spotrebiči.

Upozornenie: Uchovajte voľné vetracie otvory spotrebiča

Upozornenie: Nepoškodte chladiaci okruh chladničky.

Spotrebič nie je určený pre používanie ľuďmi (vrátane detí) s obmedzenými fyzickými, senzorickými alebo mentálnymi schopnosťami, prípadne s nedostatkom skúseností a znalostí, pokiaľ nebudú pod dozorom alebo nedostanú pokyny týkajúce sa používania spotrebiča osobou, ktorá je zodpovedná za ich bezpečnosť. Deti musia byť pod dozorom, aby sa zaručilo, že sa so zariadením nebudú hrať.

Ak je napájací kábel poškodený, musí ho vymeniť výrobca, servisný technik alebo určená osoba.

SL **Opozorilo:** Ne uporabite mehanskih naprav ali drugih umetnih načinov za pospeševanje procesa odtajanja.

Opozorilo: Ne uporabljajte električnih naprav v predelu za shranjevanje hrane v napravi.

Opozorilo: Ne ovirajte prezračevalnih odprtín na napravi.

Opozorilo: Ne poškodujte hladilnega vezja hladilnika.

Te smejo uporabljati osebe (vključno z otroci) z zmanjšanimi fizičnimi, čutnimi ali psihičnimi sposobnostmi ali osebe, ki nimajo dovolj ustreznih izkušenj in znanja, razen če jih nadzoruje in jim daje ustrezna navodila izkušena oseba, odgovorna za njihovo varnost. Otroke je treba nadzorovati, da zagotovite, da se ne igrajo z napravo.

Poškodovan napajalni kabel mora zamenjati proizvajalec ali serviser oziroma oseba, zadolžena za to.

SQ **Paralajmërim:** Nuk përdorni aparate mekanike ose mjete tjera artificiale për të përshpejtoni procesin të heqjes të akullit.

Paralajmërim: Nuk përdorni aplikime elektrike në procesin e ruajtjes të ushqimeve.

Paralajmërim: Mbani aplikimi për ajrosjen të hapur

Paralajmërim: Nuk dëmtoni qarkun antipiretik të frigoriferit

Aplikimi nuk duhet të përdoret nga njerëz (duke përfshirë edhe fëmijet) me aftësi të ulur fizike, ndijmore ose mentale, ose nga njerëz me eksperiencën dhe diturive të kufizuar,

përveç në qoftë se ata kanë marrë instruksion ose janë nën mbikëqyrje nga personi të cili është përgjegjës për sigurimi. Fëmijët nuk duhet të luajnë me aplikimin.
Nëse kordoni elektrik është dëmtuar, kordoni duhet të zëvendësohet nga prodhuesit ose personit të autorizuar ose të caktuar

SV **Varning!** Använd inte mekaniska enheter eller andra artificiella medel för att påskynda tinningsprocessen.

Varning! Använd inte elektriska enheter i enheten.

Varning! Håll enhetens ventilationsöppningar fria från hinder

Varning! Skada inte kylningskretsen.

Den här enheten är inte avsedd för att användas av personer (inklusive barn) med nedsatt fysisk, psykisk eller mental förmåga, eller som saknar den erfarenhet och kunskap som krävs, om de inte har fått instruktioner om annat och en person i så fall övervakar dem ur säkerhetssynpunkt. Barn ska övervakas så att de inte leker med enheten.

Om strömladdan är skadad måste den bytas ut av tillverkaren eller en godkänd fackman.

TR **Uyarı:** Buz çözme işlemini hızlandırmak için mekanik araçlar veya başka yapay yöntemler kullanmayın.

Uyarı: Cihazın yiyecek saklanan kısımlarında elektrikli cihazlar kullanmayın.

Uyarı: Cihazın havalandırma deliklerini açık tutun

Uyarı: Buzdolabının soğutucu gaz devresine zarar vermeyin.

Bu cihaz, yanlarında güvenliklerinden sorumlu olacak veya onlara cihazın kullanımıyla ilgili gerekli talimatları verecek bir kişi bulunmadığı sürece fiziksel, duyuşsal veya zihinsel yeteneklerinde yetersizlik bulunan veya bilgisiz ya da deneyimsiz olan kişiler (çocuklar da dahil) tarafından kullanım için tasarlanmamıştır. Çocuklar denetlenerek cihazla oynamaları önlenmelidir.

Elektrik kablosu zarar görmüşse üretici, servis temsilcisi veya yetkili bir kişi tarafından değiştirilmelidir.

UK **Попередження:** Не використовуйте механічні пристрої та інші штучні засоби для прискорення процесу розморожування.

Попередження:: Не використовуйте електричні прилади у камерах для зберігання їжі пристрою.

Попередження:: Тримайте вентиляційні отвори пристрою відкритими

Попередження: Не пошкодуйте контур охолодження холодильника.

Цей прилад не призначений для користування особами (у тому числі дітьми) з обмеженими фізичними, сенсорними та розумовими можливостями, а також без досвіду та знань, якщо вони не перебувають під наглядом, або не отримали інструктажу щодо користування електроприладом від особи, відповідальної за їхню безпеку. Необхідно наглядати за дітьми, щоб вони не гралися з приладом.

В разі пошкодження кабелю живлення, той має бути замінений виробником, представником сервісної служби або уповноваженою особою.

UZ **Ogoxlantiriş:** эритиш жараёнини тезлаштириш учун механик асбобларни ёки бошқа сунний воситаларни ишлатманг.

Ogoxlantiriş: жиҳознинг озиқ-овқат сақлаш жойида электр асбобларни ишлатманг.

Ogoxlantiriş: жиҳознинг ҳаво янгилаттирадиган тешигини бўш сақланг.

Ogoxlantiriş: музлатгичнинг музлатувчи занжирига зарар етказманг.

Ушбу жиҳоздан фойдаланиш жисмоний заиф, таъсирчан ва онги паст ёки малакаси ва билими кам одамларга (ҳамда болаларга) режалаштирилмаган, фақатгина жиҳоздан қандай фойдаланиш кераклигини, уларнинг хавфсизлигига жавобгар инсон, уларни устидан назорат қилса ёки йўл-йўриқ кўрсатса. Болалар жиҳоз билан ўйнашмаётганлигига ишонч ҳосил қилиш учун уларни назорат қилиш керак.

Агар таъминланган симга зарар етган бўлса, уни ишлаб чиқарувчи ёки хизмат кўрсатиш вакили ёки тайинланган одам томонидан алмаштириш керак.

