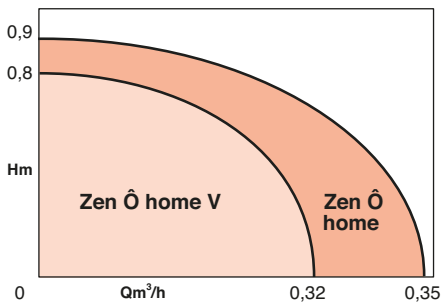


RANGE OF USE

Flow rates up to:	0,35 m ³ /h
Maximum operating pressure:	10 bar
Minimum pressure at intake:	0,2 bar*
Circulator temperature range:	+2°C to +65°C
Maximum ambient temperature:	+ 40°C
Water hardness:	20 dH
circulating pump openings:	15 (1")

* to + 65° C



ADVANTAGES OF THE RANGE

- Saves energy and water
- Convenient to use
- Easy to install
- Zen Ô V version with non-return valve and ball valve
- Robust design

ZEN Ô HOME

SIMPLE CIRCULATING PUMPS domestic hot water 50 Hz

APPLICATION

This circulating pump can be used solely for drinking water. Its field of use is circulating systems for drinking water / domestic hot water circuits in:

- Industrial systems.
- Domestic systems.

Hot water obtained merely by turning on a tap, no stagnant water in the domestic hot water circuit.



• Zen Ô home V

Certified
ACS



• Salmson connector

ZEN Ô HOME

ADVANTAGES OF ZEN Ô HOME

• Saves energy and water.

- very low consumption of electricity: from 2 to 4.5W.
- Its synchronous motor saves 80% of the energy used by a traditional domestic circulating pump.
- An end to wasting water, hot water obtained merely by turning on a tap.

• Convenient to use

- Hot water obtained merely by turning on a tap.
- Extremely quiet circulating pump.

• Easy to install

- Compact: takes up less space.
- Easy and fast electrical connexions with the Salmson connector. No tools needed.

• Robust design

- Standard prefabricated insulation to give the best performance
- Stainless steel impeller for longer life and protection against corrosion.

DESIGN

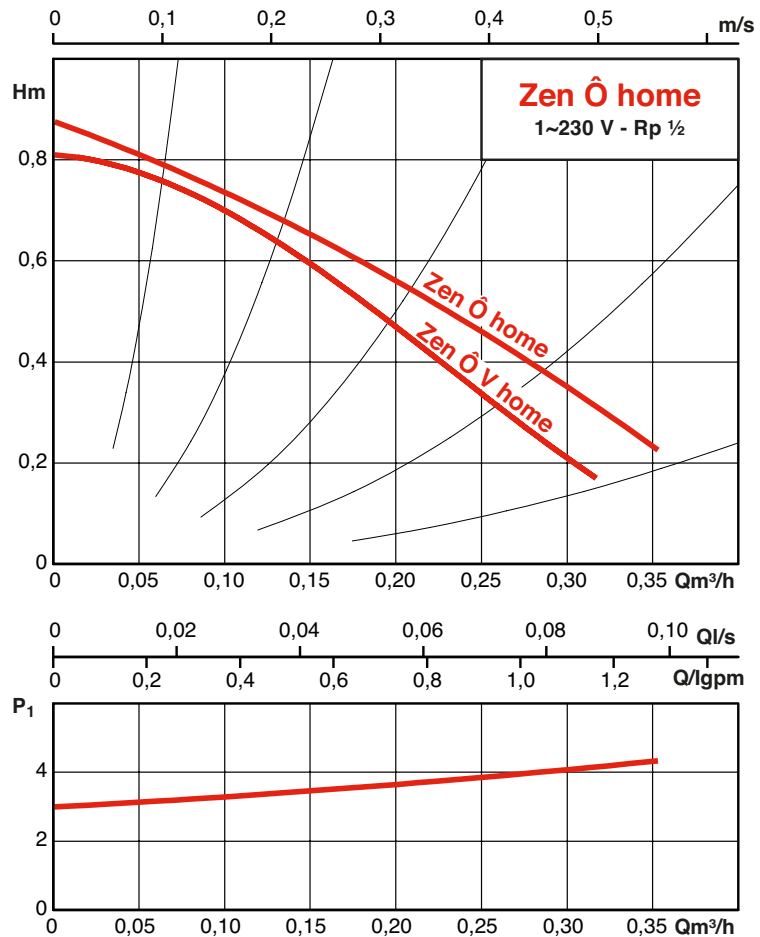
• Motor

- Speed: 3000 rpm
- Single-phase winding: 230 V
- Frequency: 50 Hz
- Insulation category: 155 (F)
- Complies with: EC standards for low voltage EMC Directive

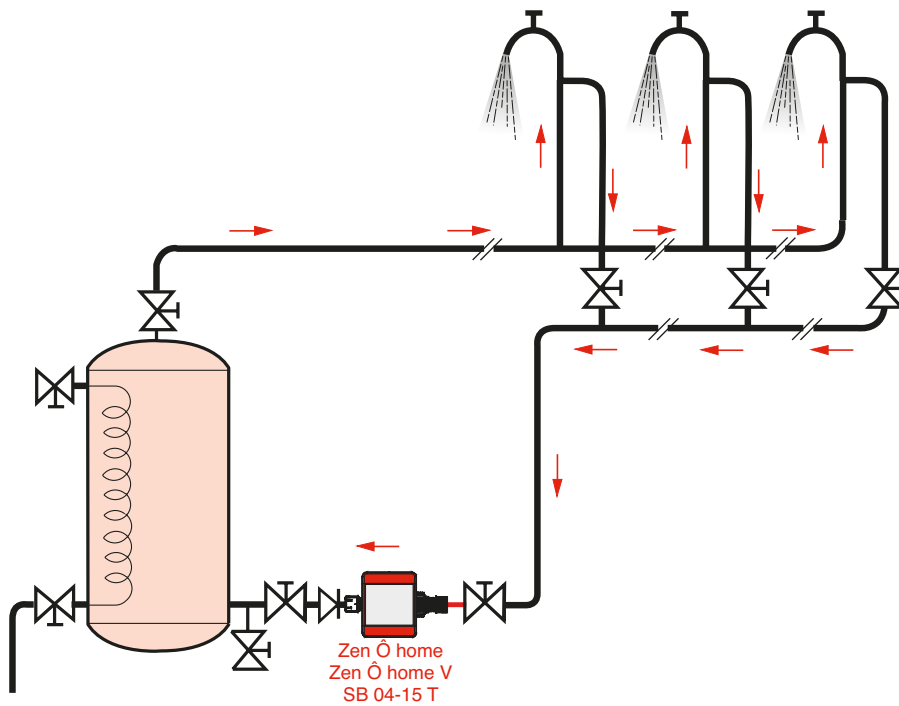
BASIC CONSTRUCTION

Main components	Material
Body of pump	Laiton
Motor casing	Polypropylene
Impeller	Stainless steel
Rotor shaft	Ceramic
Bearings	Graphite
Rotor housing	Stainless steel
Pump gasket	Ethylene-Propylene

HYDRAULIC PERFORMANCE



INSTALLATION DIAGRAM AND CHOOSING THE RIGHT PUMP



Domestic hot water circuit:

- Maximum temperature of the circuit 60 °C (in accordance with the Unified Technical Document) and up to 80°C for heat disinfection.
- Recommended flow speed between 0.5 and 1 m/s maximum.
- Circulating pump mounted on the return of the circuit, after the taps.

Total length Circuit pipework	1 to 10 taps
0 to 35 m	Zen Ô home Zen Ô home V Thermo'Clock SB04-15 T NSB05-15B
36 to 75 m	NSB10-15B
76 to 100 m	NSB15-15B

Pumps chosen as a guide, using the following criteria:

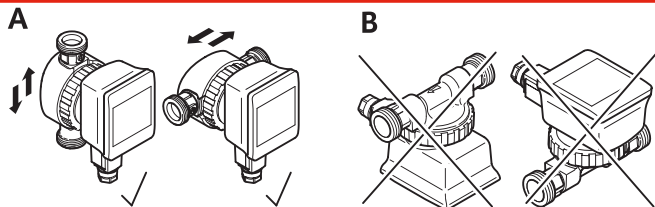
- Category 2 insulation for the pipework
- DHW temperature: 60°C
- Temperature loss over the circuit: 3°C
- Ambient temperature: 20°C
- External temperature: - 7°C
- pipework Ø: 15/21

EXPLODED VIEW



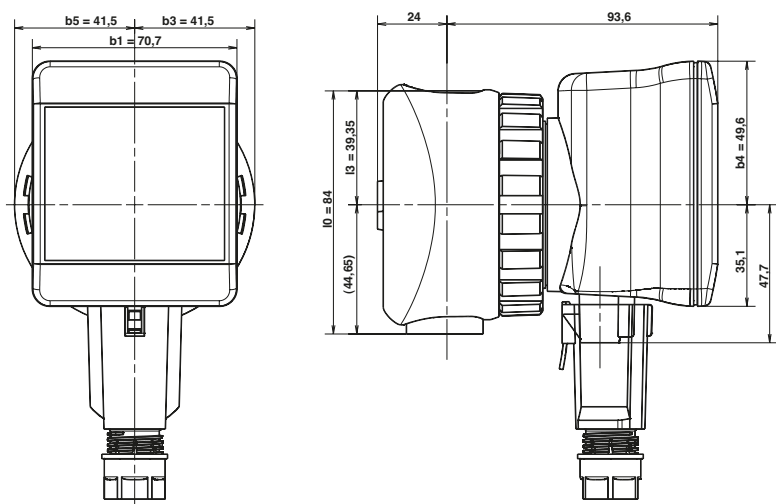
ZEN Ô HOME

FITTING POSITIONS

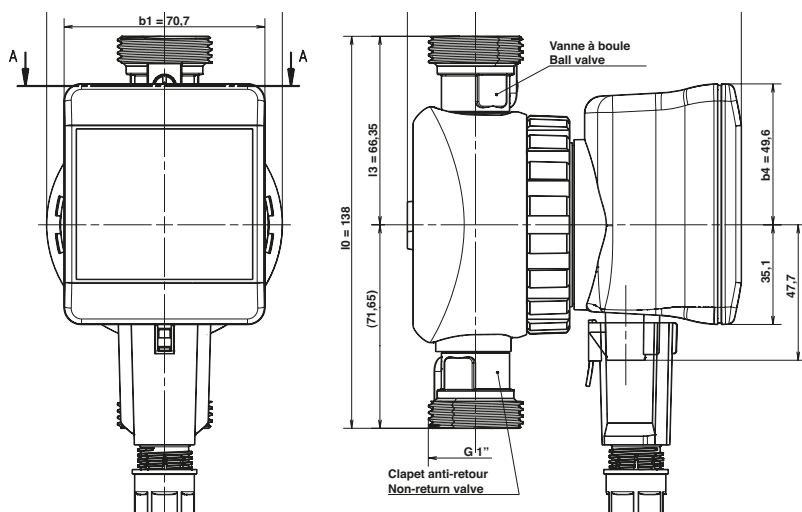


SIZES AND ELECTRICAL REQUIREMENTS

• Zen Ô home



• Zen Ô home V



FEATURES

a) Electrical

All types single-phase 230 V - 50 Hz
Standard voltage:
- tolerance 50 Hz \pm 10 %

b) Fitting

- Fitting direct onto horizontal or vertical pipework, on the return pipe, after the taps
- Motor always horizontally placed.

Connection to the installation:

Depending on model:

- copper soldered connections (R) or brass screwed connections (RU brass) onto copper pipework,
- steel screwed connections (RU) onto galvanised steel pipework.

c) Packaging

• Pump delivered with:
- Heat insulation.
- Salmson. connector.
- Gaskets for the version Zen Ô home V.

d) Maintenance

- Appliance automatically exchanged.

RECOMMENDED ACCESSORIES

• Soldered connections
• Brass or steel pipe unions
• Shut-off valves
• 2m cable with lateral connector (per 10)

Order reference	MOTOR			PUMP		Connection on	
	Speed rpm	P1 nominal W	current A	mass kg	Ø G mm	Tube to be soldered	Thread rod
Zen Ô home	3000	4,5	0,05	1,1	-	-	-
Zen Ô home V	3000	4,5	0,05	1,3	G1	RU 2022 (laiton)	RU 1521 (laiton)